



Electronic Service Manuals

This electronic document is provided as a service to our customers. We do not create the contents of the information contained in this document. Should you have detailed questions pertaining to the information contained in this document, you may contact Michco, or the manufacturer which provided the original information in this electronic deliverable. Michco's only part in this electronic deliverable was the electronic assembly process. By providing this manual on line we are not guaranteeing parts availability.

You may contact Michco through the following methods:

Phone (517) 484-9312 or (800) 331-3339

2011 N. High St. -- Lansing, Michigan -- 48906

Fax: (517) 484-9836

Email: CustServe@Michco.com

Web site: www.Michco.Com

Parts Web site: www.FloorMachineParts.Com

Order Parts on Line at:

www.FloorMachineParts.Com

Directly to Parts & Service:

By Email: **Shop@Michco.com**

By Fax: (517) 702-2041

By Voice: Use numbers above.

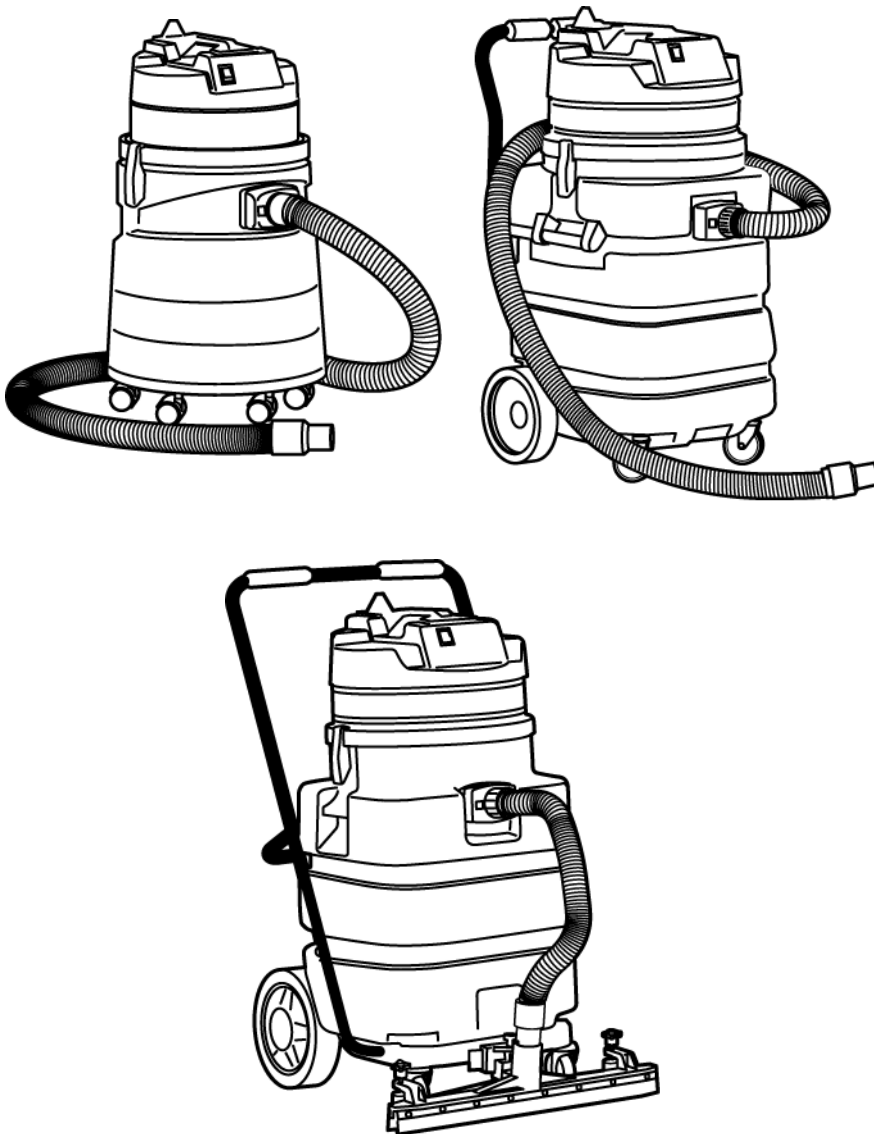
Serving the Cleaning Industry Since 1922

Notice: All copyrighted material remains property of original owners, all trademarks are property of respective owners. Manuals are subject to Manufacturer's reproduction limitations. Originals or reproductions were provided by manufacturers through a request. We make no warranty as to the correctness of information provided in this document and you assume all risk. By placing these manuals on line we are not declaring our corporation to be an manufacturer authorized dealer or provider, please check our web site for authorized manufacturers we represent.



Wet / Dry Vacuums

Operating instructions (ENG)



MODELS:

T708
10130060
T708IE
10130070
T716
10130080
T716IE
10130090
T720TP
10130100

Read these instructions before using the machine.

Machine Data Label

Model: _____

Date of Purchase: _____

Serial Number: _____

Dealer: _____

Address: _____

Phone Number: _____

Sales Representative: _____

Overview

This machine is a commercial vacuum designed for wet and dry pick-up.

Warranty Registration

Thank you for purchasing a Windsor product. Warranty registration is quick and easy. Your registration will allow us to serve you better over the lifetime of the product.

To register your product go to :

www.windsorind.com/WarrantyRegistration.aspx

For customer assistance:

1-800-444-7654



Machine Data Label2
 Overview2
Table of Contents3
How To Use This Manual4

Safety

IMPORTANT SAFETY INSTRUCTIONS5
 Grounding Instructions:7

Operations

 Vacuum And Accessories Components8

Maintenance

 Periodic Maintenance10
 Servicing the Filter10
 Servicing the Vac Motor10
 Servicing The Vac Motor11

Parts

 Vacuum Motor Assembly - T708 / T708IE 14
 Vacuum Motor Assembly - T716 / T720TP 16
 Filter Group T708 18
 Filter T716 / T720TP 20
 Tank T708 22
 Tank T716 24
 Tank and Cart - T720TP 26
 Front Mounted Squeegee - TSQ16 28
 Front Mounted Squeegee - TSQ20 30
 Accessories 32
 Suggested Spare Parts 33

How To Use This Manual

This manual contains the following sections:

- How to Use This Manual
- Safety
- Operations
- Maintenance
- Parts List

The HOW TO USE THIS MANUAL section will tell you how to find important information for ordering correct repair parts.

Parts may be ordered from authorized dealers. When placing an order for parts, the machine model and machine serial number are important. Refer to the MACHINE DATA box which is filled out during the installation of your machine. The MACHINE DATA box is located on the inside of the front cover of this manual.

| |
|-----------------------------|
| Model: _____ |
| Date of Purchase: _____ |
| Serial Number: _____ |
| Dealer: _____ |
| Address: _____ |
| Phone Number: _____ |
| Sales Representative: _____ |

The model and serial number of your machine is located on the back of the motor head under the power cord.

The SAFETY section contains important information regarding hazardous or unsafe practices of the machine. Levels of hazards are identified that could result in product damage, personal injury, or severe injury resulting in death.

The OPERATIONS section is to familiarize the operator with the operation and function of the machine.

The MAINTENANCE section contains preventive maintenance to keep the machine and its components in good working condition.

The PARTS LIST section contains assembled parts illustrations and corresponding parts list. The parts lists include a number of columns of information:

- **REF** – column refers to the reference number on the parts illustration.
- **PART NO.** – column lists the part number for the part.
- **ALT NO.** – reference number.
- **QTY** – column lists the quantity of the part used in that area of the machine.
- **DESCRIPTION** – column is a brief description of the part.
- **SERIAL NO. FROM** – If this column has an (*) and a Reference number, see the SERIAL NUMBERS page in the back of your manual. If column has two asterisk (**), call manufacturer for serial number. The serial number indicates the first machine the part number is applicable to. The main illustration shows the most current design of the machine. When a boxed illustration is shown, it displays the older design.
- **NOTES** – column for information not noted by the other columns.

NOTE: If a service or option kit is installed on your machine, be sure to keep the KIT INSTRUCTIONS which came with the kit. It contains replacement parts numbers needed for ordering future parts.

NOTE: The manual part number is located on the lower left corner of the front cover.

IMPORTANT SAFETY INSTRUCTIONS

**When using this machine, basic precaution
must always be followed, including the following:**

READ ALL INSTRUCTIONS BEFORE USING THIS MACHINE.

⚠ WARNING: To reduce the risk of fire, electric shock, or injury:

⚠ DANGER:

Failure to read and observe all DANGER statements could result in severe bodily injury or death. Read and observe all DANGER statements found in your Owner's Manual and on your machine.

⚠ WARNING:

Failure to read and observe all WARNING statements could result in injury to you or to other personnel; property damage could occur as well. Read and observe all WARNING statements found in your Owner's Manual and on your machine.

⚠ CAUTION:

Failure to read and observe all CAUTION statements could result in damage to the machine or to other property. Read and observe all CAUTION statements found in your Owner's Manual and on your machine.

Read the Owner's Manual prior to operating or attempting any service or maintenance procedure to your machine. You must have training in the operation of this machine before using it. If the operator(s) cannot read English, have this manual explained fully before attempting to operate this machine.

Do not operate this machine until it is completely assembled. Inspect the machine carefully before operation. Use only as described in this manual. Use only the manufacturer's recommended attachments.

Do not use this machine with or near fuels, grain dust, solvents, thinners, or other flammable materials.

Do not pick up flammable fluids, dust or vapors.

Do not vacuum anything that is burning or smoking, such as cigarettes, matches, or hot ashes.

This machine is not suitable for picking up health endangering dust.

Do not use the machine if the power cord is damaged. Do not use the electrical cord to move the machine. Keep cord away from heated surfaces. Do not unplug by pulling on the cord; grasp the plug, not the cord. Turn off all controls before unplugging. Do not close a door on cord or pull around sharp edges or corners.

Disconnect the power supply before attempting any maintenance or service.

Read all machine labels before attempting to operate the machine. Make sure all of the labels are attached or fastened to the machine. Get replacement labels and decals from the manufacturer's distributor.

Keep the electrical components of the machine dry. Always store the machine in a dry area.

Do not use this machine as a step or furniture. Do not allow to be used as a toy. Close attention is necessary when used by or near children.

Keep hands, feet, loose clothing, hair, fingers, and all parts of the body away from openings and moving parts.

Safety

Do not handle plug or appliance with wet hands.

Always install float before any wet pick-up operation.

Before opening cover, switch off machine. Wait until the fan stops completely or dust and debris may be ejected.

If the machine is not working properly, has been dropped, damaged, left outdoors, or dropped into water, return it to an Authorized service center.

Do not put any object into openings. Do not use with any opening blocked; keep free of dust, lint, hair, and anything that may reduce air flow.

Do not use the machine without the dust bag and/or filters in place.

Use extra caution when cleaning on stairs.

Always use a 3-wire electrical system connected to the electrical ground. Whenever possible connect the machine to an outlet protected by a ground fault interrupter (GFCI). See "Grounding Instructions."

READ AND SAVE THESE INSTRUCTIONS

Grounding Instructions:

This appliance must be grounded. If it should malfunction or break down, grounding provides a path of least resistance for electric current to reduce the risk of electric shock. This appliance is equipped with a cord having an equipment-grounding conductor and grounding plug. The plug must be inserted into an appropriate outlet that is properly installed and grounded in accordance with all local codes and ordinances.

Improper connection of the equipment-grounding conductor can result in a risk of electric shock. Check with a qualified electrician or service person if you are in doubt as to whether the outlet is properly grounded. Do not modify the plug provided with the appliance - if it will not fit the outlet, have a proper outlet installed by a qualified electrician.

This Product Is For Commercial Use Only.**Electrical:**

The amp, hertz, and voltage are listed on the data label found on each machine. Using voltages above or below those indicated on the data label will cause serious damage to the motors.

Extension Cords:

If an extension cord is used, the wire size must be at least one size larger than the power cord on the machine, and must be limited to 50 feet (15.5m) in length.

Operations

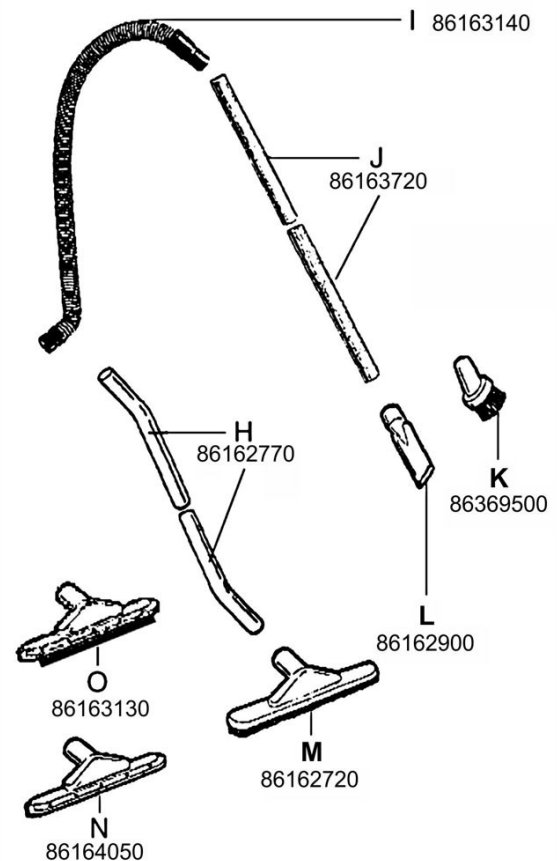
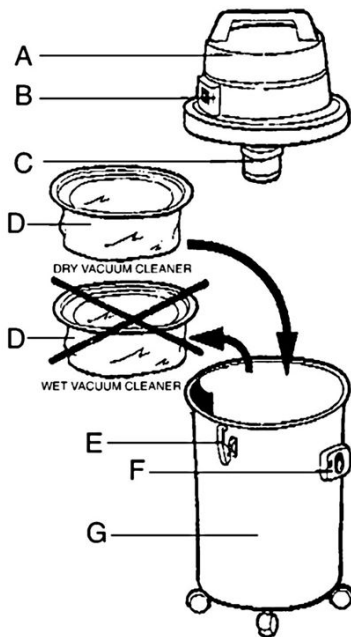
Vacuum And Accessories Components

- A. Motor Block
- B. On/Off Switch
- C. Float: Keeps liquid out of Motor Block
- D. Polyester Filter: Remove for use with liquids
- E. Hooks: Secure Motor Block to Tank
- F. Suction Inlet
- G. Tank
- H. 2-pc. Chrome Wand
- I. 10-ft. x 1-1/2" Flexible Hose
- J. 2-pc PVC Wand
- K. 3" Round Brush
- L. Crevice Tool
- M. 16" Brush
- N. 16" Squeegee
- O. Fixed Carpet Tool

NOTE: The Polyester Filter must be cleaned after each use to maintain efficient suction.

Important Instructions

- Before use, the equipment must be correctly assembled with all its components.
- Check that electrical outlet is correct for use with the plug on the machine.
- Before connecting, check that the specified motor voltage corresponds to the main voltage available.
- Never use the equipment near inflammable, explosive or toxic substances: sparks from the motor could cause dangerous reactions.
- Always unplug the machine from electrical outlet when leaving machine unattended or before attempting any repair.
- Service and repair should be done by qualified personnel only.
- Use only original manufacturer's replacement parts.



This machine is a commercial vacuum designed for wet and dry pick-up.

Dry soil can be vacuumed directly into the tank. To empty the tank of dry soil, remove the top and dump into trash receptacle.

For wet pick-up, remove polyester filter. The machine is equipped with a float shut-off. As the tank is filled to capacity, a float rises and seals the vac intake, causing loss of vacuum. Switch off the vacuum when this happens and bring the machine to a floor drain.

Use the convenient drain hose at the back of the vacuum to empty the tank.

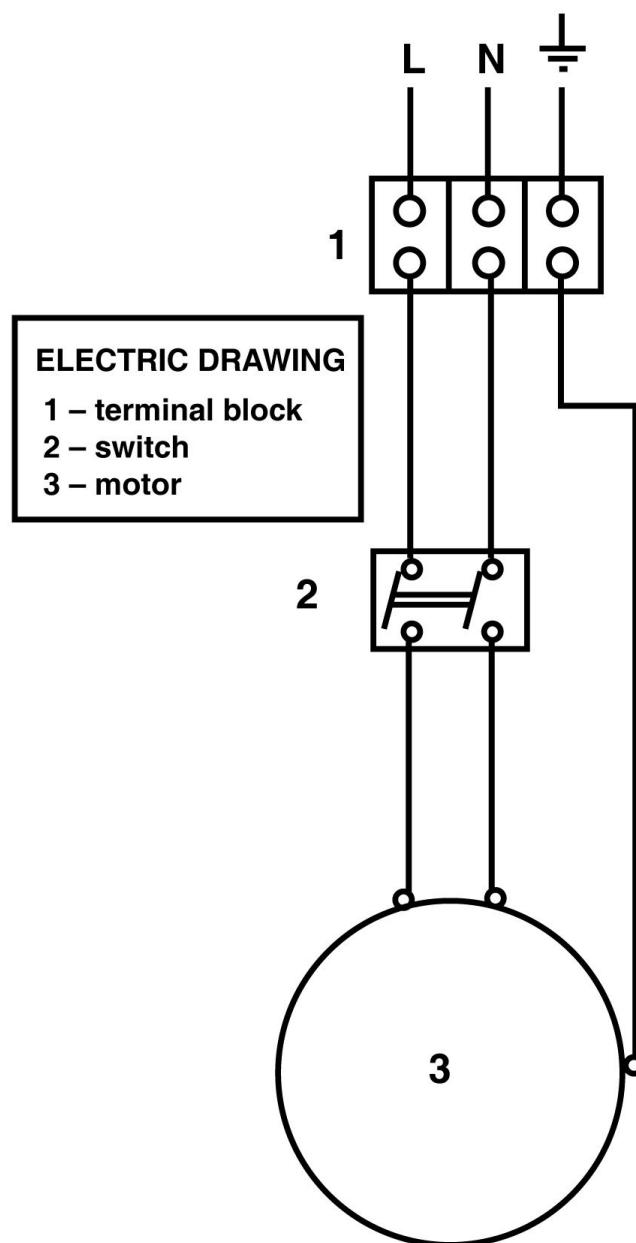
With both wet and dry applications be sure to frequently clean the filter. This is especially true when the vacuum is being used with strippers and wax.

⚠ CAUTION:

Strippers and some detergents produce foam which will damage the vac motors. The vac shut-off may not be sensitive to all foams. Be sure to check that the tank is not filling with foam. Use a defoaming agent to avoid pulling foam through vac motor. Should vac motor become wet, remove source of overflow and immediately run vac motor open to dry.

At the end of each working day:

1. After each use, rinse tank with fresh water. Periodically inspect the recovery tank and decontaminate if necessary, using a Hospital Grade Virucide or a 1:10 bleach to water solution. Waste water should be disposed of properly.
2. Remove head assembly and allow tank to dry.
3. Remove filters for cleaning or to allow to dry.
4. Inspect hoses for wear. Frayed or cracked hoses should be replaced to avoid vacuum loss.
5. Inspect power cord for wear. This cable will lay on wet surfaces. To prevent electrical shock replace cords with frayed or cracked insulation immediately.

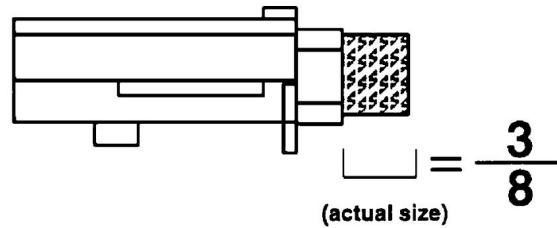


Maintenance

Periodic Maintenance

(Every six to twelve months):

1. Check filter for wear, replace dirt saturated filters that do not respond to normal cleaning.
2. Inspect gasket seals and replace those which have begun to leak.
3. Examine carbon motor brushes and commutator.



Replace both carbon brushes when either is less than 3/8" long.

(P/N 8.616-352.0) 120V, (P/N 8.616-353.0) 230V

Servicing the Filter

The filter is accessed by lifting the head assembly off the tank.

Polyester filter is easily removed by simply lifting the filter basket out of the tank.

Cartridge filters – Remove the filter retainer by turning the black knob 90 degrees counter-clockwise.

Cartridge filter will then slide off of float assembly.

NOTE: Be sure to frequently clean the filter. Allow filter to dry after being used for wet pick-up. Filters used for wet pick-up including stripper must be thoroughly cleaned before being allowed to dry. Worn filters can affect vacuum performance. Replace the filter when it becomes worn out and normal cleaning will not restore vac performance.

Servicing the Vac Motor

Motor Replacement

1. Disconnect power cord from power source.
2. To access the vac motor, remove the screws that attach the main cover to the head assembly and set the cover to one side.
3. Disconnect the motor's 2 red lead wires from the main switch.
4. Disconnect green/yellow wire by removing screw from motor core.
5. Remove the four motor mounting screws.
6. Remove motor plate and set aside.
7. Take out the motor and remove the upper and lower gaskets.
8. Inspect gaskets. If they show any wear or tear in the material, replace.
9. Install gaskets onto new motor. Make sure gaskets are properly seated.
10. Install the new motor. Make sure foam mufflers are positioned properly.
11. Attach motor plate to motor.
12. Connect green/yellow wire to motor core.
13. Connect motor's 2 red lead wires to main switch.
14. Re-assemble vac cover.
15. Test for proper operation.

Servicing The Vac Motor

Carbon Brush Replacement

1. Disconnect power cord from power source.
2. To access the vac motor, remove the screws that attach the main cover to the head assembly and set the cover to one side.
3. Remove the motor cover by removing two screws. See Figure 1
4. Remove the wire terminal from carbon brush housing. See Figure 2
5. Remove the carbon brush assembly by removing the 2 screws that attach it to the vac motor. See Figure 3
6. Inspect armature commutator. If it is extremely pitted, grooved or not concentric then the motor will need to be replaced or sent to a qualified service center.
7. Slide the yellow brush housing from plastic holder. See Figure 4
8. Reverse steps 7 through 4 to install new brush and housing (part number S8TOEG845 120 V - S8TOGB839 230 V)
9. Repeat steps 4 through 8 for the other carbon brush.
10. Reverse steps 3 and 2 for re-assembly.
11. Test for proper operation

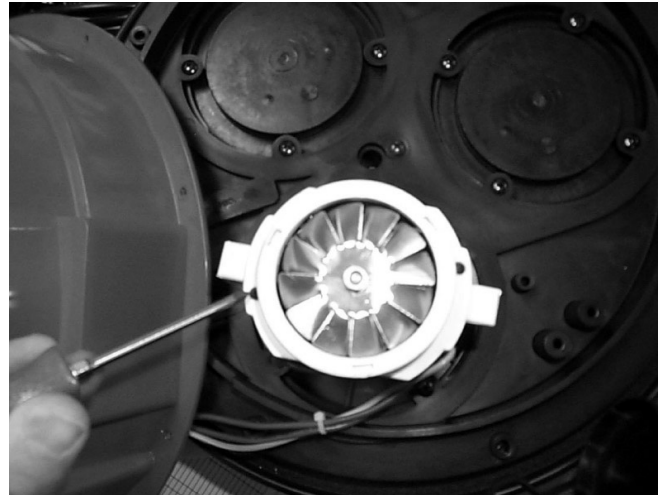


Figure 1



Figure 2

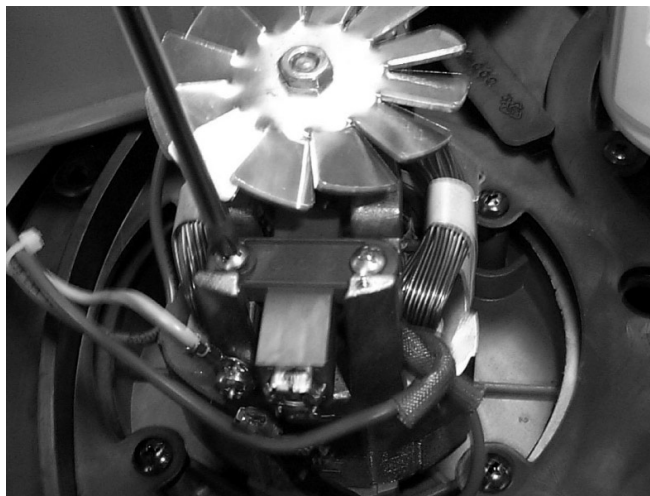


Figure 3

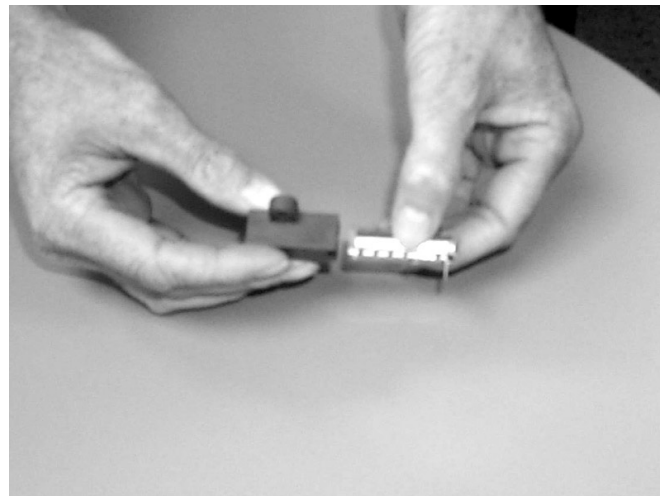
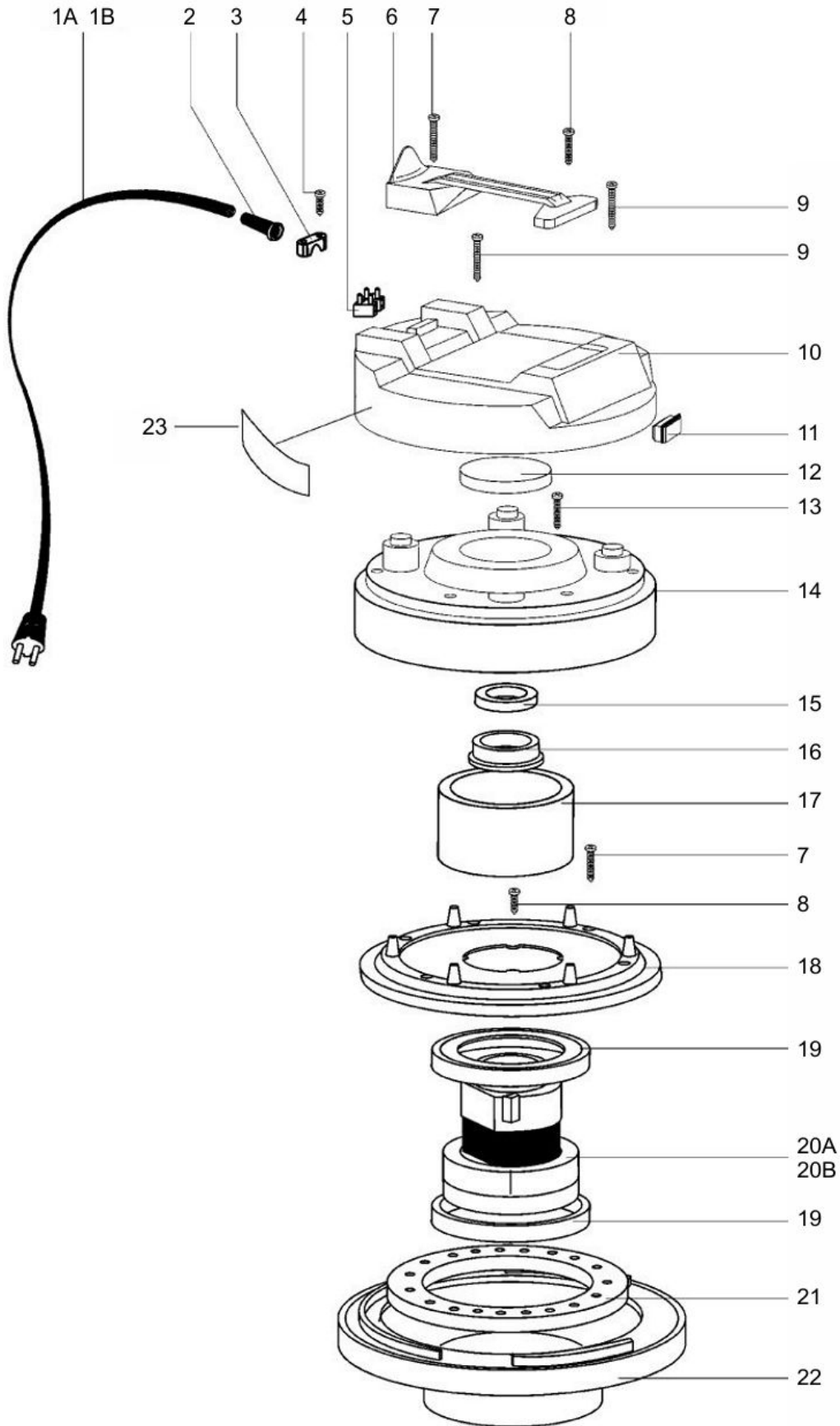


Figure 4

Notes:

PARTS

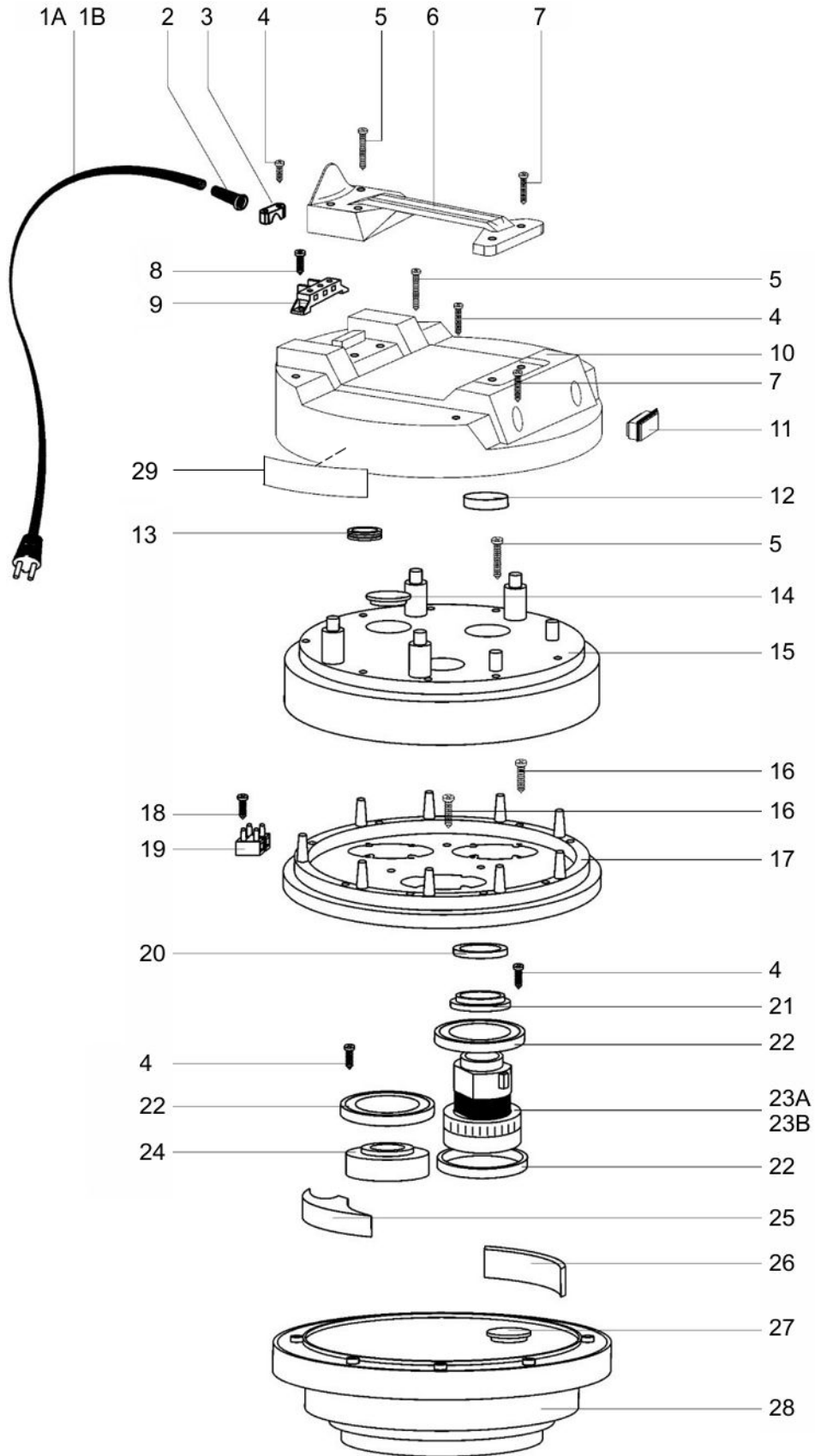
Vacuum Motor Assembly - T708 / T708IE



Vacuum Motor Assembly - T708 | T708IE

| REF | PART NO. | PRV NO. | QTY | DESCRIPTION | SERIAL NO. FROM | NOTES |
|-----|-------------|---------------|-----|-----------------------|-----------------|-------|
| 1A | 8.616-284.0 | S81122 | | CORD, 120 VOLT | | |
| 1B | 8.616-283.0 | S80117 | | CORD, 230 VOLT | | |
| 2 | 8.616-407.0 | S80138 | 1 | STRAIN RELIEF | | |
| 3 | 8.616-421.0 | S80139 | 1 | TERMINAL CLIP | | |
| 4 | 8.616-386.0 | S81006 | 2 | SCREW, 5 X 20 | | |
| 5 | 8.616-422.0 | S80450 | 1 | TERMINAL BLOCK | | |
| 6 | 8.616-328.0 | S83733AUG6 | 1 | HANDLE, GRAY | | |
| 7 | - | S82627 | 4 | SCREW, 5 X 40 | | |
| 8 | 8.616-386.0 | S81006 | 2 | SCREW, 5 X 20 | | |
| 9 | 8.616-389.0 | S81054 | 2 | SCREW, 5 X 30 | | |
| 10 | 8.616-287.0 | S83734AUB.LAB | 1 | COVER | | |
| 11 | 8.616-415.0 | S80326 | 1 | SWITCH, ON/OFF | | |
| 12 | 8.616-312.0 | S83937 | 1 | FILTER, Ø95 | | |
| 13 | 8.616-388.0 | S81050 | 6 | SCREW, 5 X 35 | | |
| 14 | 8.616-285.0 | S82738AUG6 | 1 | COVER, MOTOR, GRAY | | |
| 15 | 8.616-321.0 | S83969 | 1 | GASKET | | |
| 16 | 8.616-378.0 | S80310 | 1 | RING | | |
| 17 | 8.616-311.0 | S83900 | 1 | FILTER | | |
| 18 | 8.616-348.0 | S82591AUG6 | 1 | MOTOR RING, GRAY | | |
| 19 | 8.616-320.0 | S83901 | 2 | GASKET | | |
| 20A | 8.616-347.0 | S81120S | 1 | MOTOR, 120 VOLT | | |
| 20B | 8.616-351.0 | S83891S | 1 | MOTOR, 230 VOLT | | |
| 21 | 8.616-294.0 | S83866 | 1 | DISK, NOISE REDUCTION | | |
| 22 | 8.616-261.0 | S81189GG6 | 1 | BASE, MOTOR, GRAY | | |
| 23 | 8.616-341.0 | T9008 | 1 | LABEL, WINDSOR LOGO | | |

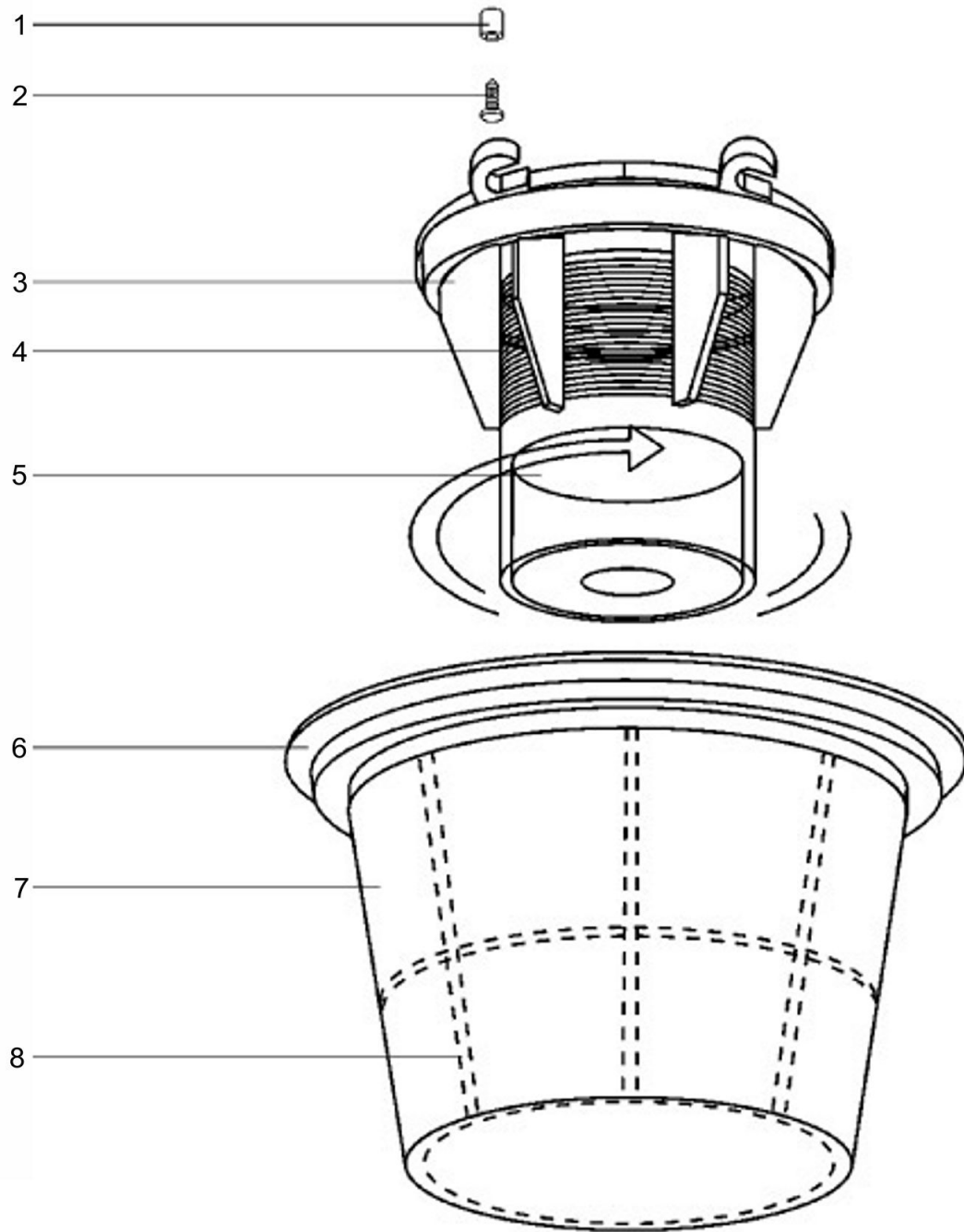
Vacuum Motor Assembly -



Vacuum Motor Assembly - T716 | T720TP

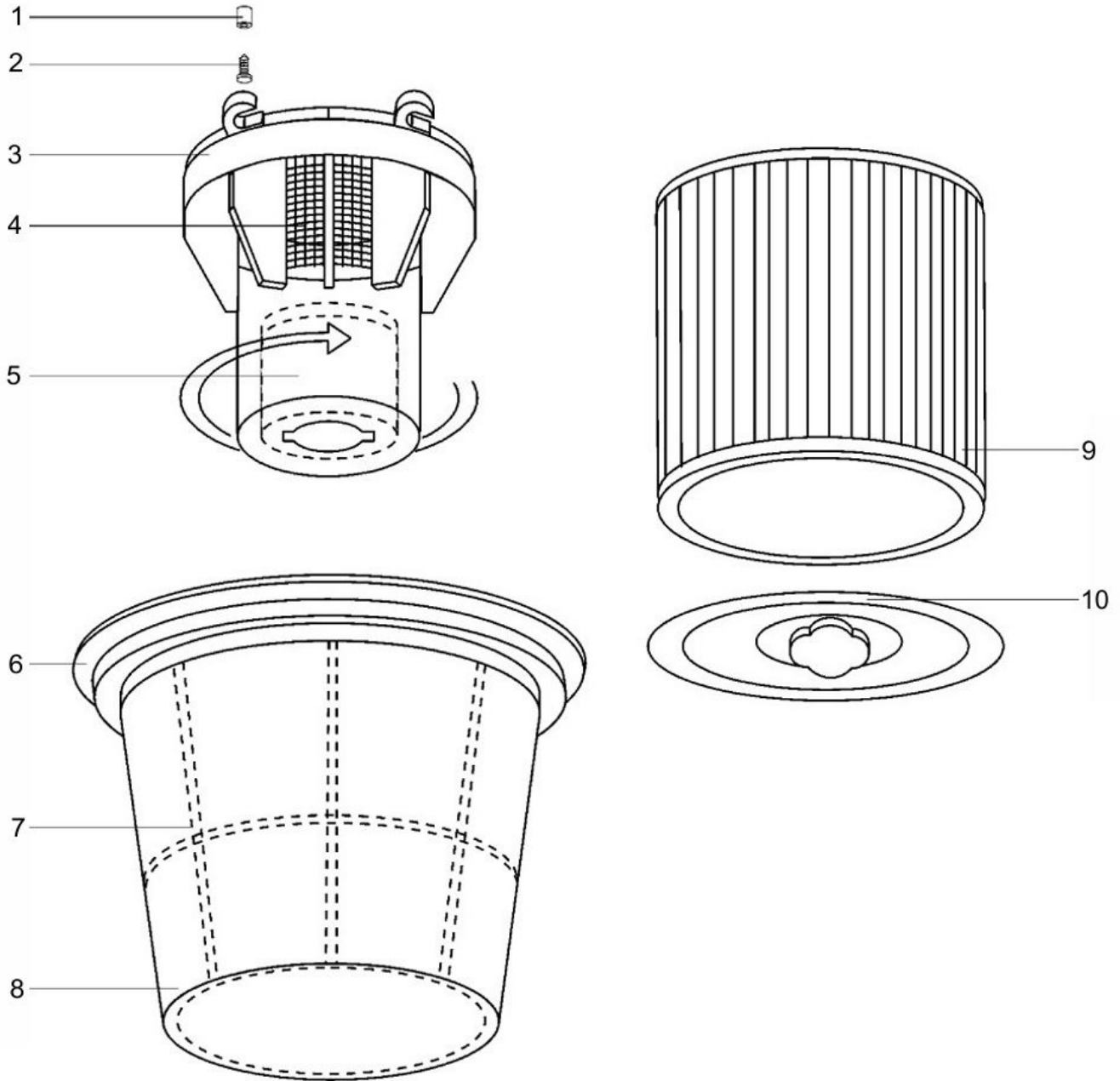
| REF | PART NO. | ALT NO. | QTY | DESCRIPTION | SERIAL NO. FROM | NOTES |
|-----|-------------|---------------|-----|---------------------|-----------------|-------|
| 1A | 8.616-284.0 | S81122 | | CORD, 120 VOLT | | |
| 1B | 8.616-283.0 | S80117 | | CORD, 230 VOLT | | |
| 2 | 8.616-407.0 | S80138 | 1 | STRAIN RELIEF | | |
| 3 | 8.616-421.0 | S80139 | 1 | TERMINAL CLIP | | |
| 4 | 8.616-386.0 | S81006 | 2 | SCREW, 5 X 20 | | |
| 5 | 8.616-389.0 | S81054 | 4 | SCREW, 5 X 50 | | |
| 6 | 8.616-329.0 | S86097AUG6 | 1 | HANDLE, GRAY | | |
| 7 | 8.616-392.0 | S81979 | 2 | SCREW, 5 X 25 | | |
| 8 | 8.616-385.0 | S81005 | 2 | SCREW, 5 X 14 | | |
| 9 | 8.616-423.0 | S80490 | 1 | TERMINAL BLOCK | | |
| 10 | 8.616-288.0 | S86070AUB.LAB | 1 | COVER, BLUE | | |
| 11 | 8.616-415.0 | S80326 | 1 | SWITCH, ON/OFF | | |
| 12 | 8.616-312.0 | S83937 | 1 | FILTER | | |
| 13 | 8.616-318.0 | S81502 | 1 | GASKET | | |
| 14 | 8.616-274.0 | S83383 | 2 | CAP | | |
| 15 | 8.616-286.0 | S82957AUG6 | 1 | COVER, GRAY | | |
| 16 | - | S82627 | 9 | SCREW, 5 X 40 | | |
| 17 | 8.616-349.0 | S82937AUG6 | 1 | MOTOR BASE, GRAY | | |
| 18 | - | S81004 | 1 | SCREW, 3 X 19 | | |
| 19 | 8.616-422.0 | S80450 | 1 | TERMINAL BLOCK | | |
| 20 | 8.616-321.0 | S83969 | 1 | GASKET | | |
| 21 | 8.616-378.0 | S80310 | 1 | RING | | |
| 22 | 8.616-320.0 | S83901 | 3 | L-GASKET | | |
| 23A | 8.616-347.0 | S81120S | 1 | MOTOR, 120 VOLT | | |
| 23B | 8.616-351.0 | S83891S | 1 | MOTOR, 230 VOLT | | |
| 24 | 8.616-350.0 | S83451 | 2 | MOTOR SEAL | | |
| 25 | - | S82454 | 3 | FILTER | | |
| 26 | 8.616-310.0 | S83456 | 3 | FILTER | | |
| 27 | 8.616-264.0 | S83519 | 1 | BASE PLUG | | |
| 28 | 8.616-263.0 | S83108GG6 | 1 | BASE | | |
| 29 | 8.616-341.0 | T9008 | 1 | LABEL, WINDSOR LOGO | | |

Filter Group T708



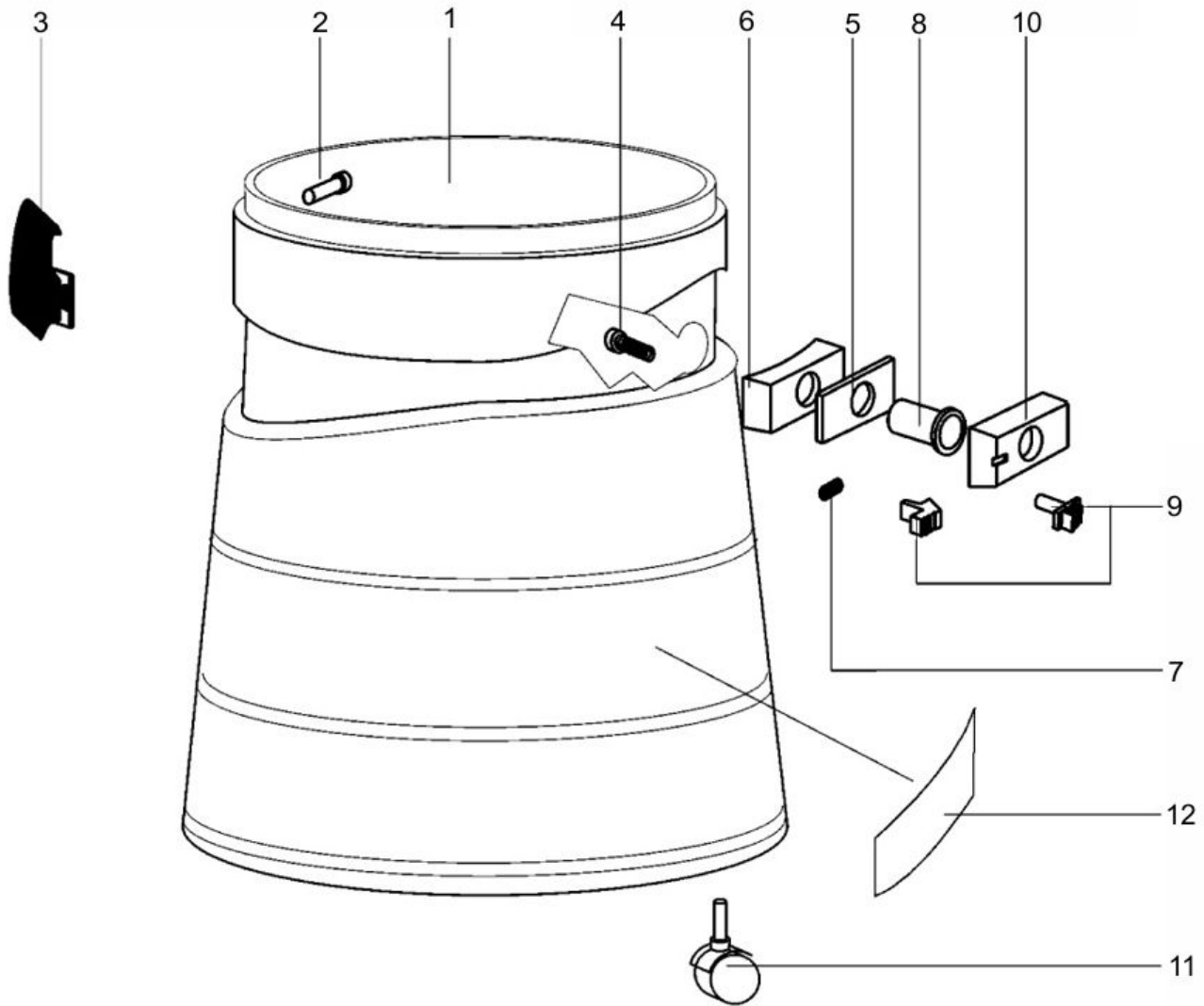
| REF | PART NO. | ALT NO. | QTY | DESCRIPTION | SERIAL NO. FROM | NOTES |
|-----|----------|---------|-----|----------------------|--------------------|-------|
| 1 | 86162730 | S83706 | 4 | BUSHING | | |
| 2 | 86163950 | S83724 | 4 | SCREW, 5 X 25 | | |
| 3 | 86162690 | S82823 | 1 | BODY, FILTER SUPPORT | | |
| 4 | 86163080 | S83138 | 1 | FILTER/STRAINER | | |
| 5 | 86163150 | S82676 | 1 | FLOAT | | |
| 6 | - | S80123 | 1 | RING, FILTER | | |
| 7 | 86163050 | S82860 | 1 | FILTER BAG | | |
| 8 | 86164130 | S82859 | 1 | SUPPORT, FILTER BAG | | |

Filter T716 | T720TP



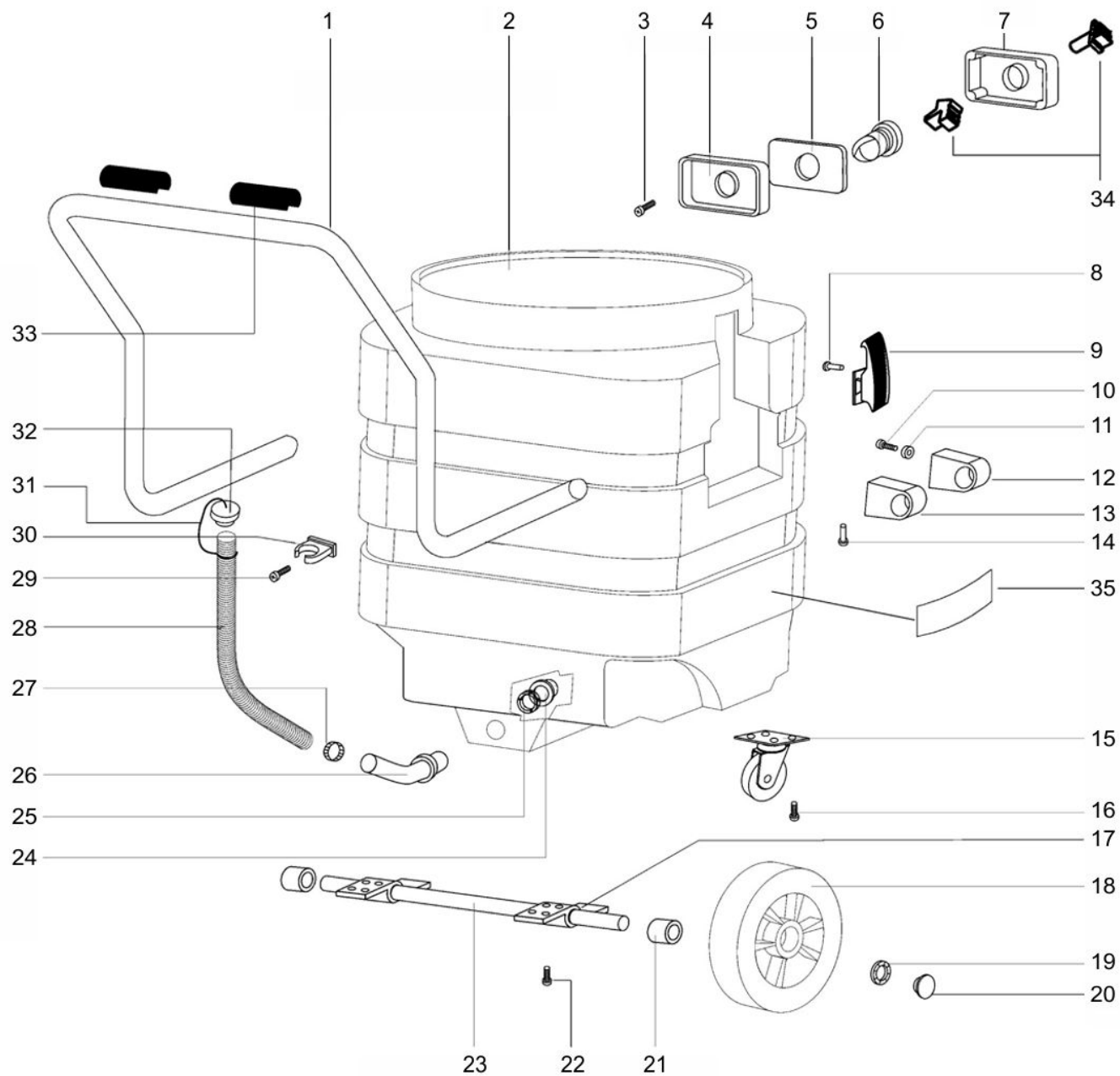
| REF | PART NO. | ALT NO. | QTY | DESCRIPTION | SERIAL NO. FROM | NOTES |
|-----|----------|---------|-----|----------------------------|--------------------|-------|
| 1 | 86162730 | S83706 | 4 | BUSHING | | |
| 2 | 86163950 | S83724 | 4 | SCREW, 5X25 | | |
| 3 | 86162690 | S82823 | 1 | BODY, FILTER SUPPORT | | |
| 4 | 86164080 | S83117 | 1 | STRAINER | | |
| 5 | 86163150 | S82676 | 1 | FLOAT | | |
| 6 | 86163010 | S80473 | 1 | FILTER RING | | |
| 7 | 86163020 | S82845 | 1 | FILTER BAG | | |
| 8 | 86164120 | S82833 | 1 | SUPPORT, FILTER | | |
| 9 | 86163030 | S82852 | 1 | FILTER – OPTIONAL | | |
| 10 | 86163040 | S82855 | 1 | FILTER RETAINER – OPTIONAL | | |

Tank T708



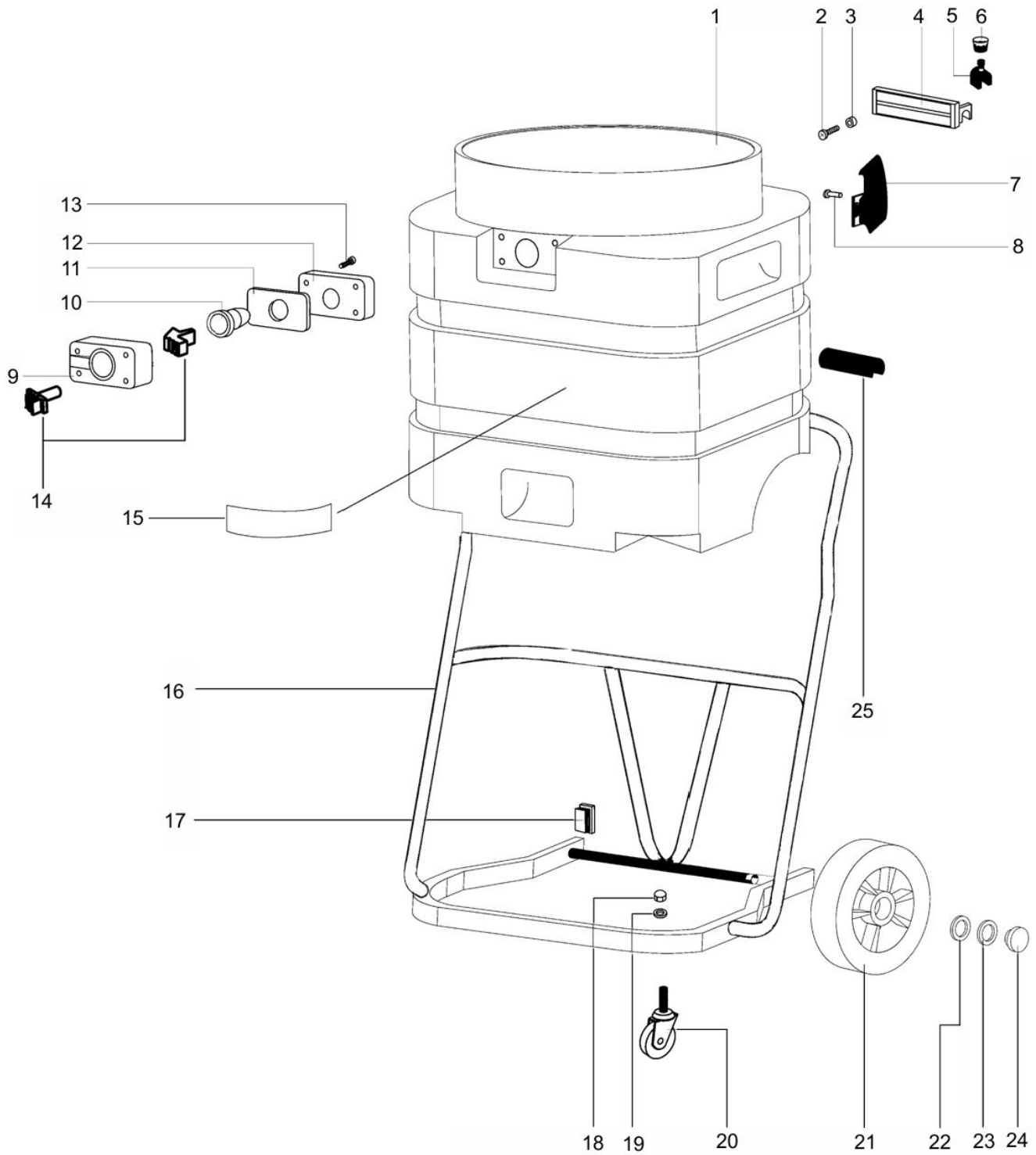
| REF | PART NO. | ALT NO. | QTY | DESCRIPTION | SERIAL NO. FROM | NOTES |
|-----|----------|-------------|-----|------------------------------|--------------------|-------|
| 1 | 86164190 | S82599 | 1 | TANK | | |
| 2 | 86163800 | S81300 | 4 | RIVET, 5 X 24.5 | | |
| 3 | 86164160 | S81847G6 | 2 | TANK CLAMP | | |
| 4 | 86163880 | S81050 | 4 | SCREW, M5 X 35 | | |
| 5 | 86163190 | S82846 | 1 | GASKET | | |
| 6 | 86163770 | S82585AG6BL | 1 | RETAINER, TANK ADAPTER | | |
| 7 | 86164010 | S82608 | 1 | SPRING, PUSH BUTTON | | |
| 8 | 86164180 | S82593 | 1 | TANK DEFLECTOR | | |
| 9 | 86163710 | S82594BL | 1 | PUSH BUTTON, TWO-PIECE, BLUE | | |
| 10 | 86163360 | S82583AG6BL | 1 | HOSE ADAPTER, BLUE | | |
| 11 | 86162760 | S80558 | 6 | CASTER | | |
| 12 | 86163400 | T9007 | 1 | LABEL, TITAN | | |

Tank T716



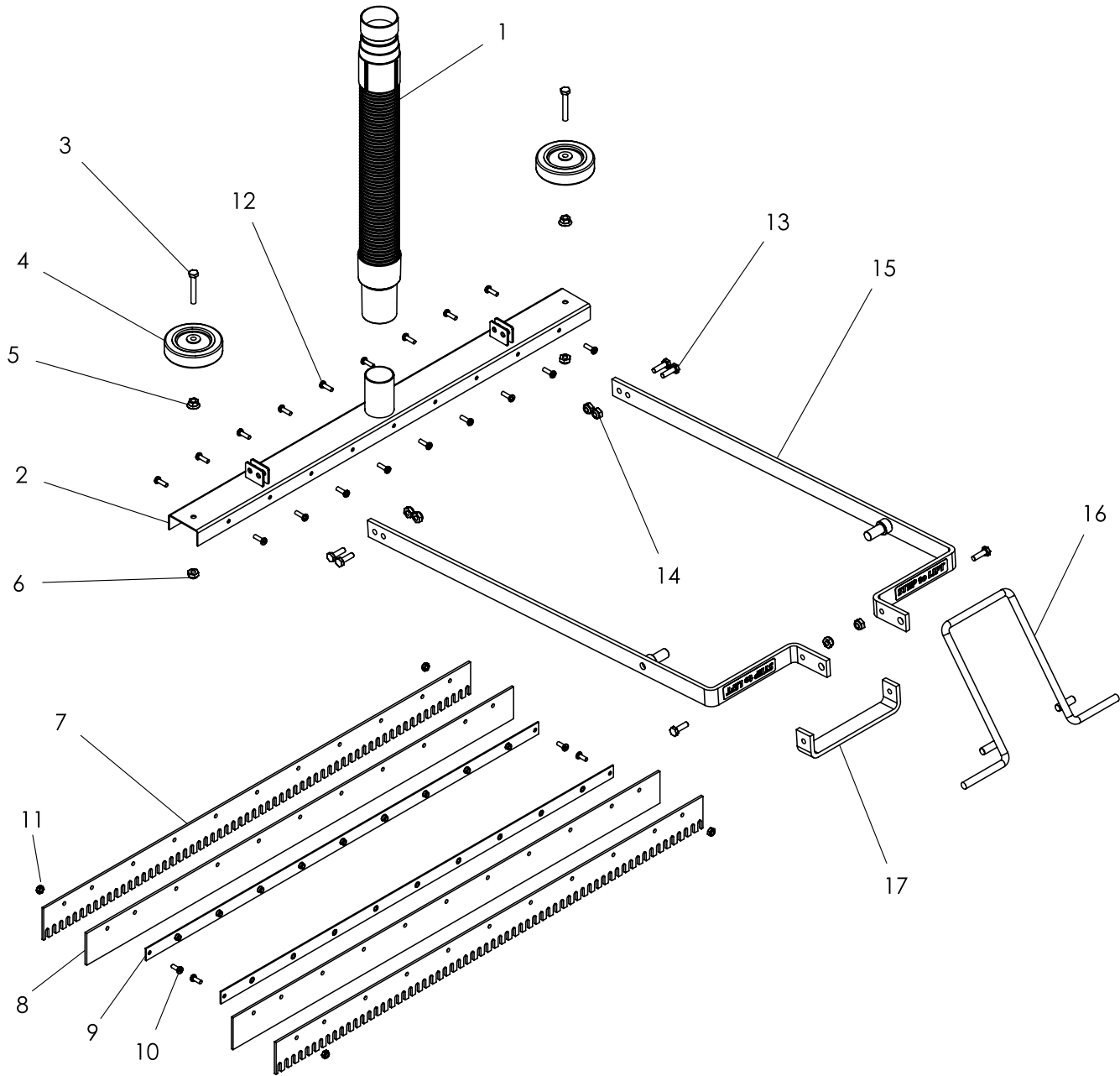
| REF | PART NO. | ALT NO. | QTY | DESCRIPTION | SERIAL NO FROM | NOTES |
|-----|----------|-----------|-----|-----------------------------|----------------|-------|
| 1 | 86163270 | S82558V | 1 | HANDLE | | |
| 2 | 86164200 | S82637 | 1 | TANK – 400 | | |
| 3 | 86163870 | S81026 | 4 | SCREW, M5X | | |
| 4 | 86163760 | S82584AG6 | 1 | RETAINER, TANK | | |
| 5 | 86163190 | S82846 | 1 | GASKET | | |
| 6 | 86164180 | S82593 | 1 | DEFLECTOR, TANK | | |
| 7 | 86162560 | S82652AG6 | 1 | ADAPTER | | |
| 8 | 86163800 | S81300 | 4 | RIVET, 5 X 24.5 | | |
| 9 | 86164160 | S81847G6 | 2 | CLAMP | | |
| 10 | 86163880 | S81050 | 8 | SCREW, M8 X 15 | | |
| 11 | 86163670 | S83883 | 8 | PLASTIC WASHER | | |
| 12 | 86164090 | S81072 | 2 | SUPPORT, HANDLE | | |
| 13 | 86164100 | S81860 | 2 | SUPPORT | | |
| 14 | 86163810 | S81302 | 2 | RIVET, M5 X 19 | | |
| 15 | 86164310 | S82559 | 2 | WHEEL CASTER | | |
| 16 | 86163930 | S82680 | 8 | SCREW, M8 X 15 | | |
| 17 | 86164110 | S82556 | 2 | SUPPORT, AXLE | | |
| 18 | 86164300 | S80904 | 2 | WHEEL | | |
| 19 | 86162750 | S82557 | 2 | CAP, END | | |
| 20 | 86162600 | S83835 | 2 | AXLE CAP | | |
| 21 | 86164000 | S82607 | 2 | SPACER, WHEEL | | |
| 22 | 86163860 | S81006 | 8 | SCREW, M5 X 20 | | |
| 23 | 86162580 | S82555 | 1 | AXLE | | |
| 24 | 86163570 | S80834 | 1 | NUT, FLANGE, 1-1/4 | | |
| 25 | 86163170 | S80256 | 1 | GASKET | | |
| 26 | 86162980 | S82763 | 1 | ELBOW | | |
| 27 | 86162800 | S83308 | 1 | CLAMP | | |
| 28 | 86162950 | S82765 | 1 | DRAIN TUBE | | |
| 29 | 86163940 | S83156 | 1 | SCREW, M5 X 20 | | |
| 30 | 86162810 | S82788 | 1 | CLIP TUBE | | |
| 31 | - | S82812 | 1 | TIE ROD, PLUG | | |
| 32 | 86163690 | S82764 | 1 | PLUG, STOPPER | | |
| 33 | 86163300 | S86250 | 2 | HANDGRIP | | |
| 34 | 86163710 | S82594BL | 1 | PUSH BUTTON, TWO-PIECE, BLU | | |
| 35 | 86163400 | T9007 | 1 | LABEL, TITAN | | |

Tank and Cart - T720TP



| REF | PART NO. | ALT NO. | QTY | DESCRIPTION | SERIAL NO. FROM | NOTES |
|-----|----------|-----------|-----|------------------------------|-----------------|-------|
| 1 | 86164170 | S82048 | 1 | TANK – 400 | | |
| 2 | 86163870 | S81026 | 4 | SCREW, M5 X 30 | | |
| 3 | 86163670 | S83883 | 4 | PLASTIC WASHER | | |
| 4 | 86163310 | S83028 | 1 | HOOK, LATCH | | |
| 5 | 86163750 | S82970 | 2 | RELEASE SWIVEL | | |
| 6 | 86163740 | S82969 | 2 | RELEASE KNOB | | |
| 7 | 86164160 | S81847G6 | 2 | CLAMP | | |
| 8 | 86163800 | S81300 | 4 | RIVET | | |
| 9 | 86162560 | S82652AG6 | 1 | HOSE ADAPTER | | |
| 10 | 86164180 | S82593 | 1 | DEFLECTOR, TANK | | |
| 11 | 86163190 | S82846 | 1 | GASKET | | |
| 12 | - | S82586AG6 | 1 | RETAINER, TANK ADAPTER | | |
| 13 | 86163880 | S81050 | 4 | SCREW, M5 X 35 | | |
| 14 | 86163710 | S82594BL | 1 | PUSH BUTTON, TWO-PIECE, BLUE | | |
| 15 | 86163400 | T9007 | 1 | LABEL, TITAN | | |
| 16 | 86162620 | S82185 | 1 | BASE | | |
| 17 | 86163650 | S80976 | 2 | PLASTIC PAD | | |
| 18 | 86163560 | S80478 | 2 | NUT, M10 | | |
| 19 | 86164260 | S81012 | 2 | WASHER, M10 | | |
| 20 | 86164290 | S80479 | 2 | WHEEL, CASTER | | |
| 21 | 86164320 | S82896 | 2 | WHEEL | | |
| 22 | 86164280 | S82922 | 2 | WASHER | | |
| 23 | 86163660 | S83607 | 2 | PLASTIC RETAINER | | |
| 24 | 86162590 | S82972 | 2 | AXLE CAP | | |
| 25 | 86163300 | S86250 | 2 | HAND GRIP | | |

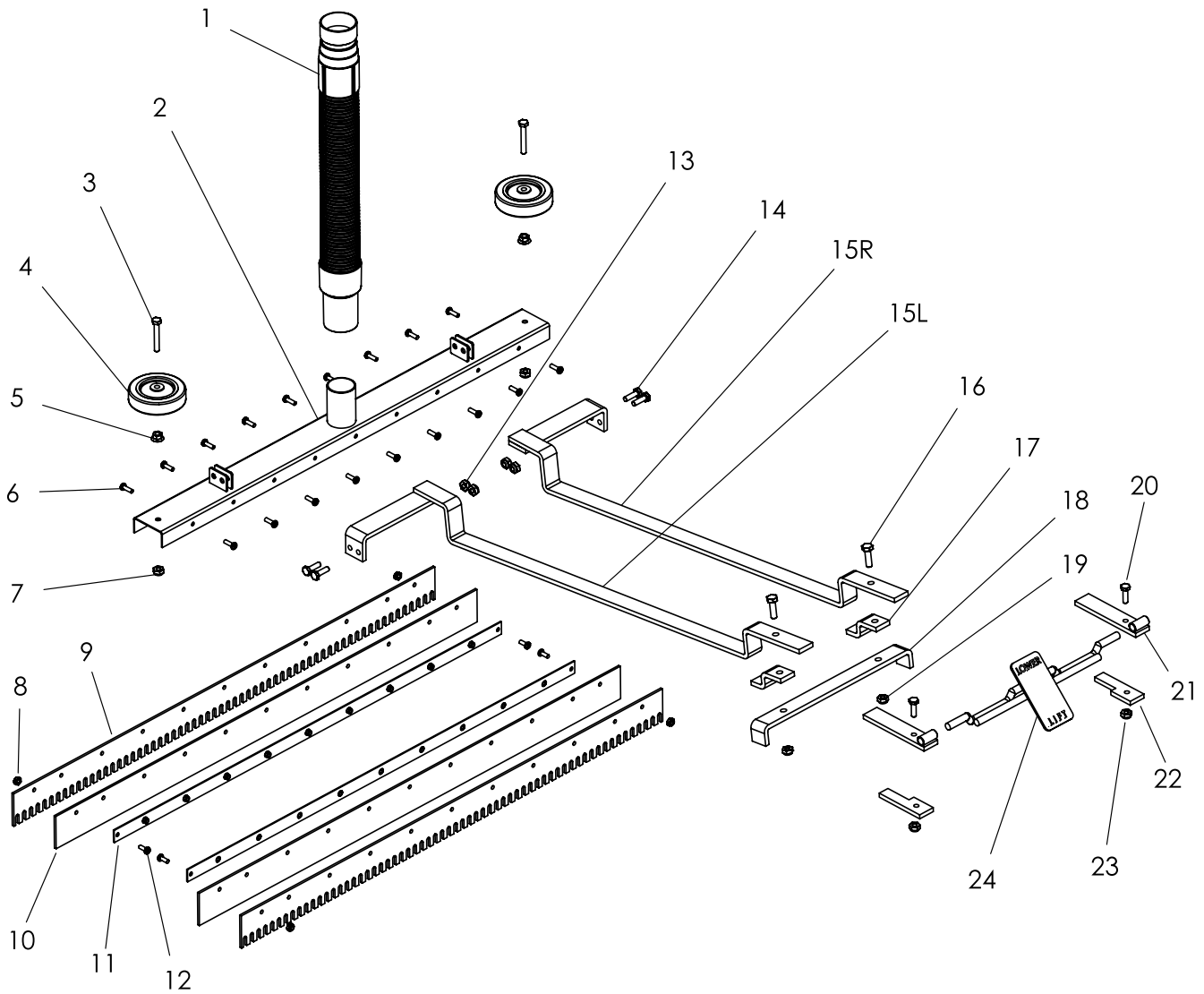
Front Mounted Squeegee - TSQ16



Front Mounted Squeegee - TSQ16

| REF | PART NO. | ALT NO. | QTY | DESCRIPTION | SERIAL NO. FROM | NOTES |
|-----|----------|----------|-----|--|-----------------|---------------------|
| 1 | 86163330 | BD705205 | 1 | HOSE ASSEMBLY | | |
| 2 | 86163390 | BD715508 | 1 | HOUSING | | |
| 3 | - | BD735608 | 2 | BOLT, GUIDE WHEEL, 1/4-20 X 1.75"L. | | |
| 4 | 86163220 | BD735607 | 2 | GUIDE WHEEL | | |
| 5 | - | BD735611 | 2 | JAM NUT, 1/4-20 SERRATED FLANGED | | |
| 6 | - | BD735609 | 2 | NYLOCK NUT, 1/4-20 | | |
| 7 | 86163960 | BD735602 | 2 | SLOTTED BLADE | | |
| 8 | 86163980 | BD735601 | 2 | SOLID BLADE | | |
| 9 | 86162650 | BD715509 | 2 | BLADE SUPPORT | | |
| 10 | - | BD735604 | 4 | BLADE END SCREW, 10-32 X 1/2"L, SS | | |
| 11 | - | BD735605 | 4 | BLADE END SCREW NUT, 10-32, NYLOCK | | |
| 12 | - | BD735603 | 18 | BLADE ATTACH'T SCREW, 10-32 X 5/8"L SS | | |
| 13 | - | BD735612 | 6 | MOUNTING BOLTS, 1/4-20 X 3/4"L | | |
| 14 | - | BD735609 | 6 | NYLOCK NUT, 1/4-20 | | |
| 15 | 86163440 | BD705201 | 2 | LIFTING ARM | | |
| 16 | 86163420 | BD705203 | 1 | LATCH | | |
| 17 | 86162910 | BD705202 | 1 | CROSS MEMBER | | |
| - | 86162820 | BD705200 | 1 | COMPLETE SQUEEGEE ASSEMBLY | | INCLUDES PARTS 2-12 |

Front Mounted Squeegee - TSQ20



Front Mounted Squeegee - TSQ20

| REF | PART NO. | ALT NO. | QTY | DESCRIPTION | SERIAL NO. FROM | NOTES |
|-----|----------|-----------|-----|--|-----------------|-------|
| 1 | 86163330 | BD705205 | 1 | HOSE ASSEMBLY | | |
| 2 | 86163390 | BD715508 | 1 | HOUSING | | |
| 3 | - | BD735608 | 2 | BOLT, GUIDE WHEEL, 1/4-20 X 175"L | | |
| 4 | 86163220 | BD735607 | 2 | GUIDE WHEEL | | |
| 5 | - | BD735611 | 2 | JAM NUT, 1/4-20 SERRATED FLANGED | | |
| 6 | - | BD735603 | 18 | BLADE ATTACH'T SCREW, 10-32 X 5/8"L SS | | |
| 7 | - | BD735609 | 2 | NYLOCK NUT, 1/4-20 | | |
| 8 | - | BD735605 | 4 | BLADE END SCREW NUT, 10-32, NYLOCK | | |
| 9 | 86163960 | BD735602 | 2 | SLOTTED BLADE | | |
| 10 | 86163980 | BD735601 | 2 | SOLID BLADE | | |
| 11 | 86162650 | BD715509 | 2 | BLADE SUPPORT | | |
| 12 | - | BD735603 | 4 | BLADE ATTACH'T SCREW, 10-32 X 5/8"L SS | | |
| 13 | - | BD735609 | 4 | NYLOCK NUT, 1/4-20 | | |
| 14 | - | BD735612 | 4 | MOUNTING BOLTS, 1/4-20 X 3/4"L | | |
| 15R | 86163460 | BD705225R | 1 | LIFTING ARM RIGHT SIDE | | |
| 15L | 86163450 | BD705225L | 1 | LIFTING ARM LEFT SIDE | | |
| 16 | - | BD735613 | 2 | BOLT, LIFTING ARM CLAMP, 5/16-18 X 1"L | | |
| 17 | 86162780 | BD705209 | 2 | CLAMP, LIFTING ARM | | |
| 18 | 86162920 | BD705210 | 1 | CROSS MEMBER | | |
| 19 | - | BD735614 | 2 | NYLOCK NUT, 5/16-18 | | |
| 20 | - | BD735612 | 2 | BOLT, PEDAL MOUNT, 1/4-20 X 3/4"L | | |
| 21 | 86163630 | BD705212 | 2 | PEDAL MOUNT | | |
| 22 | 86162790 | BD705213 | 2 | CLAMP, PEDAL MOUNT | | |
| 23 | - | BD735609 | 2 | NYLOCK NUT, 1/4-20 | | |
| 24 | 86163640 | BD705229 | 1 | PEDAL ASSEMBLY | | |

Accessories

| PART NO | ALT NO | DESCRIPTION | SERIAL NO FROM | NOTES |
|----------|--------|---|----------------|-------|
| 86164030 | TSQ16 | FRONT MOUNTED SQUEEGEE | | |
| 86164040 | TSQ20 | FRONT MOUNTED SQUEEGEE | | |
| 86163620 | S72741 | PAPER BAG | | |
| 86163050 | S82860 | FILTER BAG, STANDARD FOR 708 MODEL | | |
| 86163020 | S82845 | FILTER BAG, STANDARD FOR T716 AND T720TP | | |
| 86163030 | S82852 | FILTER CARTRIDGE, PAPER, OPTIONAL FOR T716 AND T720TP | | * |
| 86163000 | S76061 | FILTER CARTRIDGE, WASHABLE PAPER, OPTIONAL FOR T716 AND T720TP | | * |
| 86163070 | S82995 | FILTER CARTRIDGE, HEPA EQUIVALENT, OPTIONAL FOR T716 AND T720TP | | * |
| 86163060 | S82881 | FILTER CARTRIDGE, HEPA EQUIVALENT, OPTIONAL FOR T708 | | |
| 86163040 | S82855 | CARTRIDGE FILTER RETAINER, FOR T716 AND T720TP | | |

*Also order PN 86163040 (ALT S82855) Retainer with Filter.

Suggested Spare Parts

| PART NO | PRV NO | DESCRIPTION | SERIAL NO FROM | NOTES |
|----------------|---------------|-----------------------------------|---------------------------|--------------|
| 86163520 | S8TOEG845 | MOTOR BRUSH, 120 VOLT MOTOR | | |
| 86163530 | S8TOGB839 | MOTOR BRUSH, 230 VOLT MOTOR | | |
| 86164150 | S80326 | SWITCH, ON/OFF | | |
| 86163050 | S82860 | POLYESTER FILTER, T708 | | |
| 86163020 | S82845 | POLYESTER FILTER, T716 AND T720TP | | |
| 86164080 | S83117 | STRAINER | | |