



## Electronic Service Manuals

This electronic document is provided as a service to our customers. We do not create the contents of the information contained in this document. Should you have detailed questions pertaining to the information contained in this document, you may contact Michco, or the manufacturer which provided the original information in this electronic deliverable. Michco's only part in this electronic deliverable was the electronic assembly process. By providing this manual on line we are not guaranteeing parts availability.

You may contact Michco through the following methods:

Phone (517) 484-9312 or (800) 331-3339

2011 N. High St. -- Lansing, Michigan -- 48906

Fax: (517) 484-9836

Email: [CustServe@Michco.com](mailto:CustServe@Michco.com)

Web site: [www.Michco.Com](http://www.Michco.Com)

Parts Web site: [www.FloorMachineParts.Com](http://www.FloorMachineParts.Com)

Order Parts on Line at:

**[www.FloorMachineParts.Com](http://www.FloorMachineParts.Com)**

Directly to Parts & Service:

By Email: **[Shop@Michco.com](mailto:Shop@Michco.com)**

By Fax: (517) 702-2041

By Voice: Use numbers above.

**Serving the Cleaning Industry Since 1922**

Notice: All copyrighted material remains property of original owners, all trademarks are property of respective owners. Manuals are subject to Manufacturer's reproduction limitations. Originals or reproductions were provided by manufacturers through a request. We make no warranty as to the correctness of information provided in this document and you assume all risk. By placing these manuals on line we are not declaring our corporation to be an manufacturer authorized dealer or provider, please check our web site for authorized manufacturers we represent.



## **Spare Parts List**

**(1.006-150.0, 1.006-151.0, 1.006-158.0, 1.006-159.0,  
1.006-152.0, 1.006-153.0, 1.006-160.0, 1.006-161.0)**

### **Chariot 3 iScrub 26**

From Serial Number (Ref No. 1\*)

\* See Serial Number page  
or call manufacturer.

## *How to Use this Spare Parts List*

---

The PARTS LIST section contains assembled parts illustrations and corresponding parts list. The parts lists include a number of columns of information:

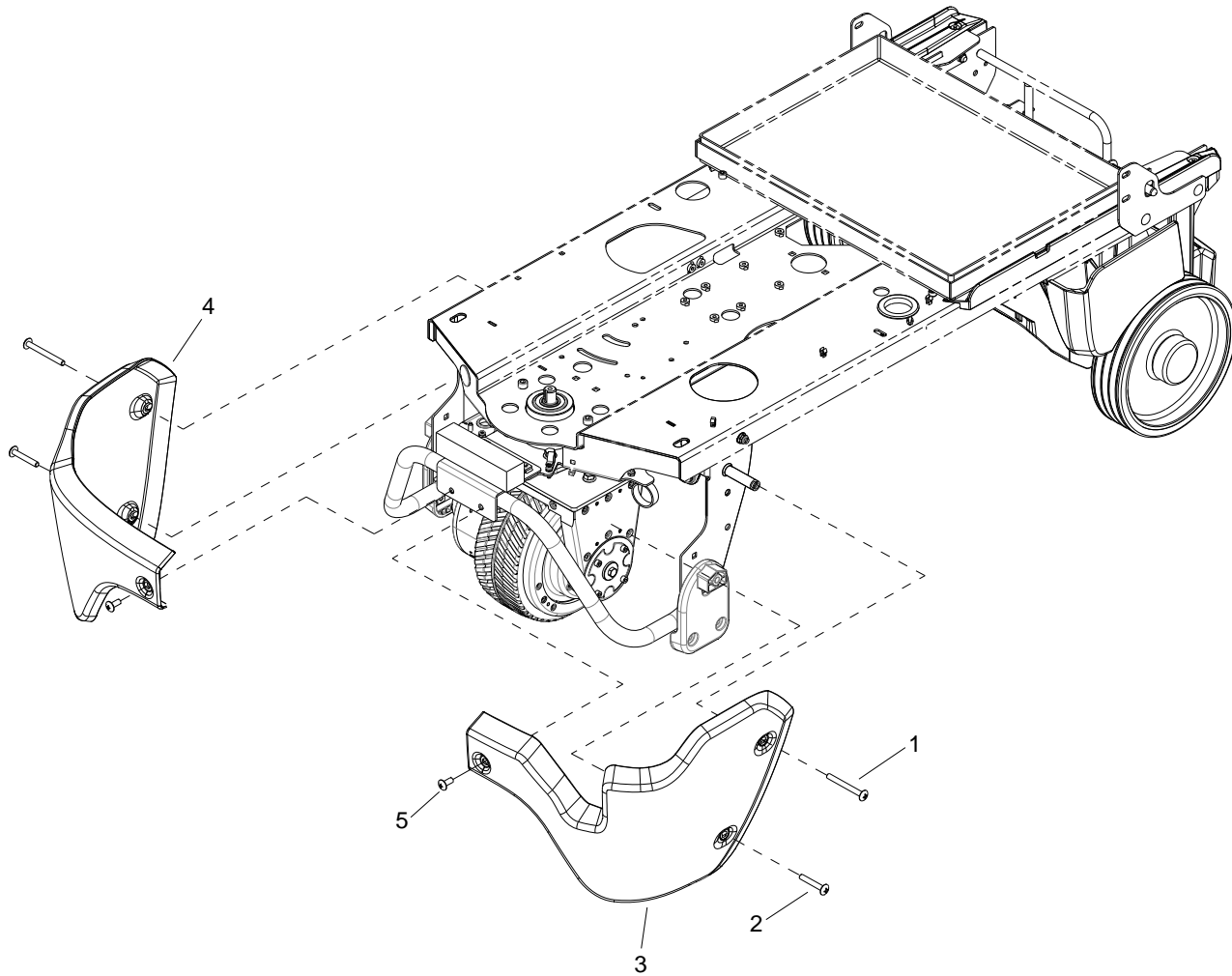
- REF - column refers to the reference number on the parts illustration.
- PART NO. - column lists the part number for the part.
- QTY - column lists the quantity of the part used in that area of the machine.
- DESCRIPTION - column is a brief description of the part.
- SERIAL NO. FROM - If this column has an (\*) and a Reference number, see the SERIAL NUMBERS page in the back of your manual. If column has two asterisk (\*\*), call manufacturer for serial number. The serial number indicates the first machine the part number is applicable to. The main illustration shows the most current design of the machine. When a boxed illustration is shown, it displays the older design.
- NOTES - column for information not noted by the other columns.

**NOTE:** *If a service or option kit is installed on your machine, be sure to keep the KIT INSTRUCTIONS which came with the kit. It contains replacement parts numbers needed for ordering future parts.*

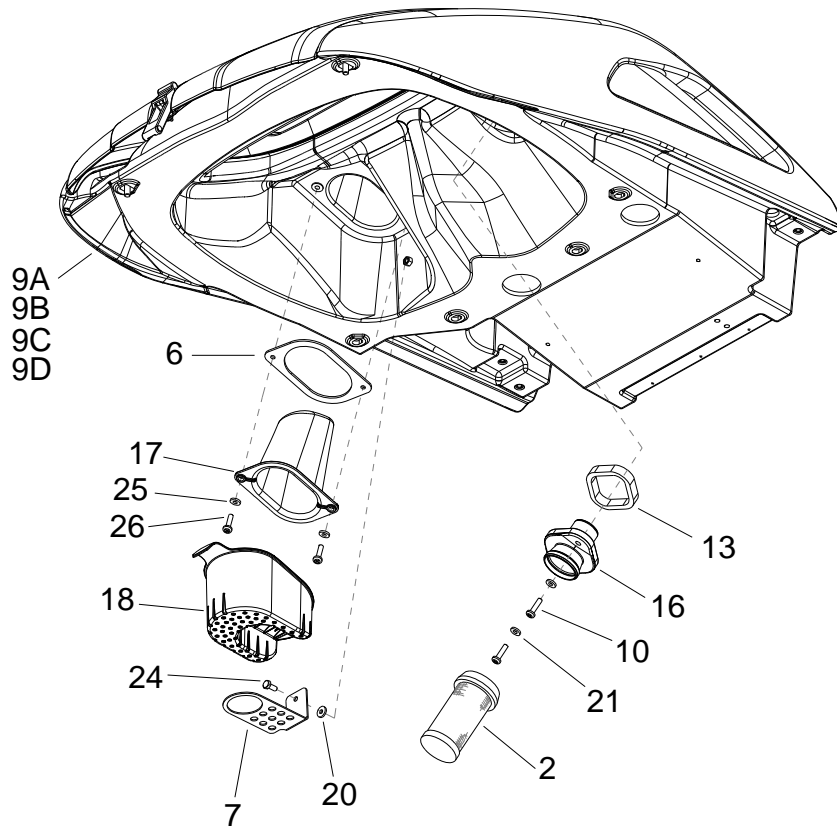
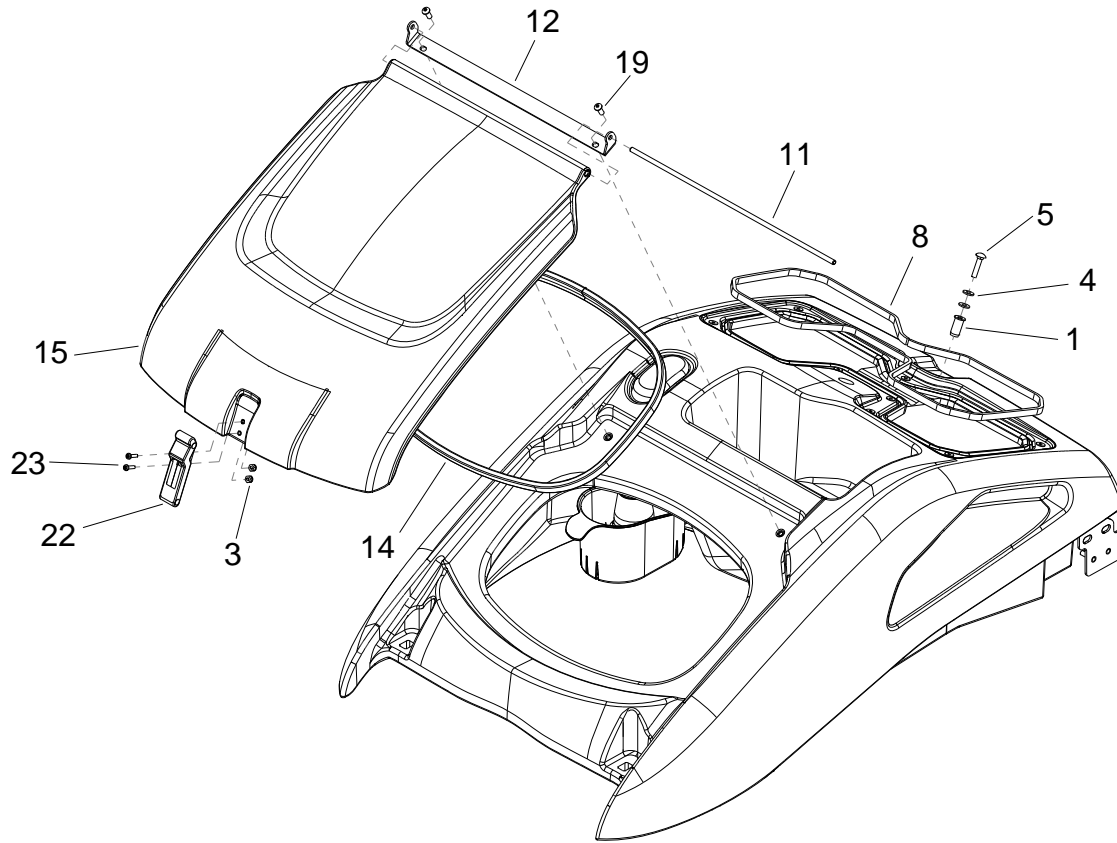
<b>How to Use this Spare Parts List</b> . . . . .	<b>2</b>
<b>Table of Contents</b> . . . . .	<b>3</b>
Bumper . . . . .	4
Console . . . . .	6
Console Mounting . . . . .	8
Control Panel - Upper . . . . .	10
Control Panel-Lower . . . . .	12
Control Panel Mounting . . . . .	14
Decals . . . . .	16
Drive Mounting . . . . .	18
Frame . . . . .	20
Platform . . . . .	22
Platform Footbox & Rear Wheels . . . . .	24
Rear Cover . . . . .	26
Scrub Deck - Disk . . . . .	28
Scrub Deck - Cylindrical . . . . .	30
Scrub Deck Lift - Disk . . . . .	32
Scrub Deck Lift - Cylindrical . . . . .	34
Scrub Deck Skirts . . . . .	36
Scrub Deck Mounting - Disk . . . . .	38
Scrub Deck Mounting - Cylindrical . . . . .	40
Scrub Brush/Pads Driver - Disk . . . . .	42
Scrub Brush/Pads Driver - Cylindrical . . . . .	44
Solution System - Disk . . . . .	46
Solution System - Cylindrical . . . . .	48
Squeegee - Disk . . . . .	50
Squeegee - Cylindrical . . . . .	52
Squeegee Lift . . . . .	54
Squeegee Swing - Disk . . . . .	56
Squeegee Swing - Cylindrical . . . . .	58
Steering . . . . .	60
Tank . . . . .	62
Vacuum . . . . .	64
Wiring-Batteries . . . . .	66
Wiring-Components . . . . .	68
Wiring 1 . . . . .	70
Wiring 2 Disk . . . . .	72
Wiring 2 Cylindrical . . . . .	74
Wiring 3 . . . . .	76
Wiring 4 . . . . .	78
Wiring 5 . . . . .	80
Wiring 6 . . . . .	82

*Options*

Chemical Metering Solution System - Disk . . . . .	86
Chemical Metering Solution System - Cylindrical . . . . .	88
Control Panel - Chemical Solution Metering . . . . .	90
Onboard Charger . . . . .	92
Battery Exchange - 1 . . . . .	94
Battery Exchange - 2 . . . . .	96
Battery Exchange - 3 . . . . .	98
Serial Numbers . . . . .	100

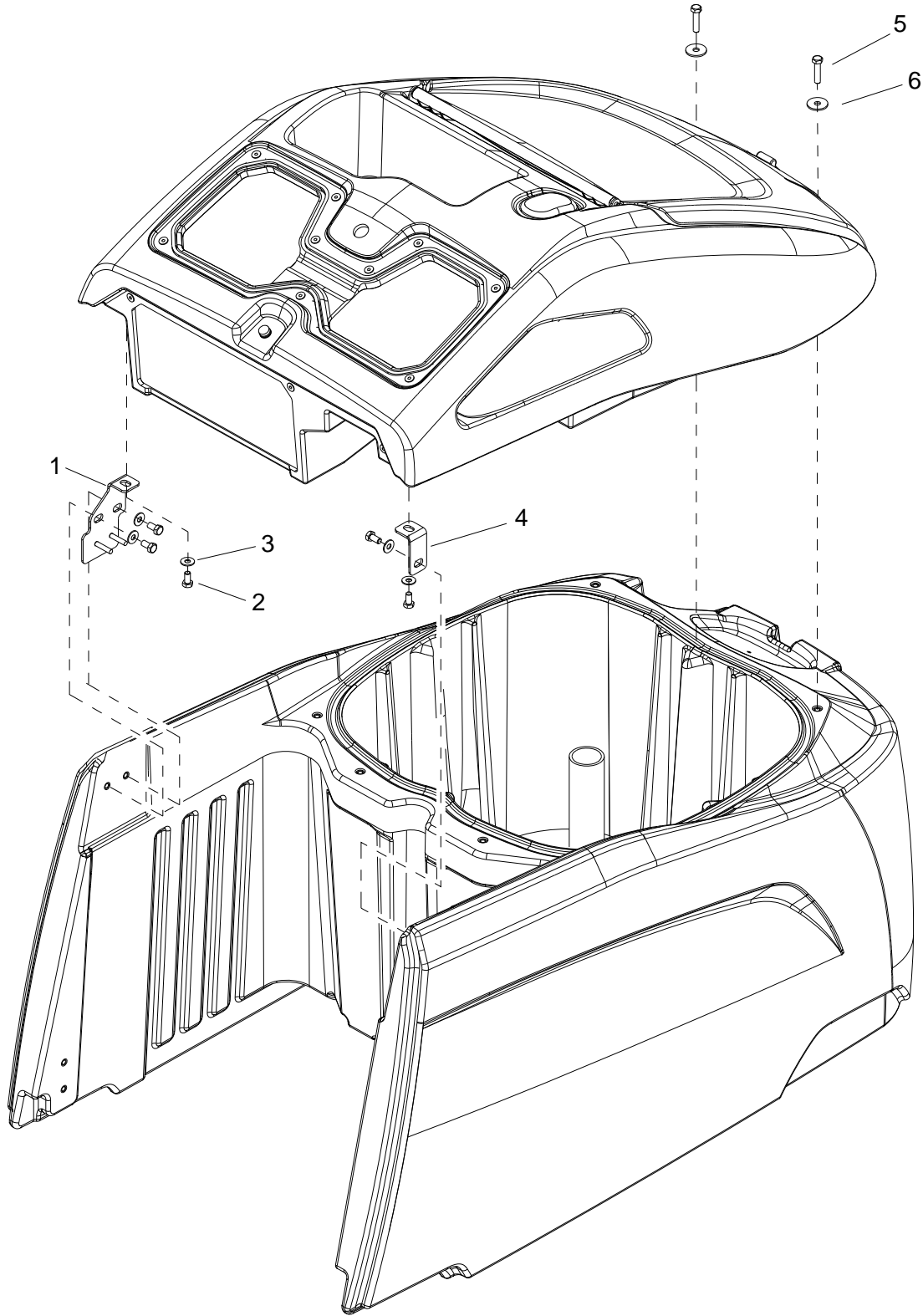


<b>REF</b>	<b>PART NO.</b>	<b>QTY</b>	<b>DESCRIPTION</b>	<b>SERIAL NO. FROM</b>	<b>NOTES</b>
1	86361960	2	SCR, 5/16-18 X 3.0 PTHMS SS		
2	86361950	2	SCR, 5/16-18 X 2.0 PTHMS SS		
3	86399650	1	BUMPER, LEFT, BLK		
4	86399640	1	BUMPER, RIGHT, BLK		
5	86276890	2	SCREW 5/16-18X3/4 PTHMS SS		



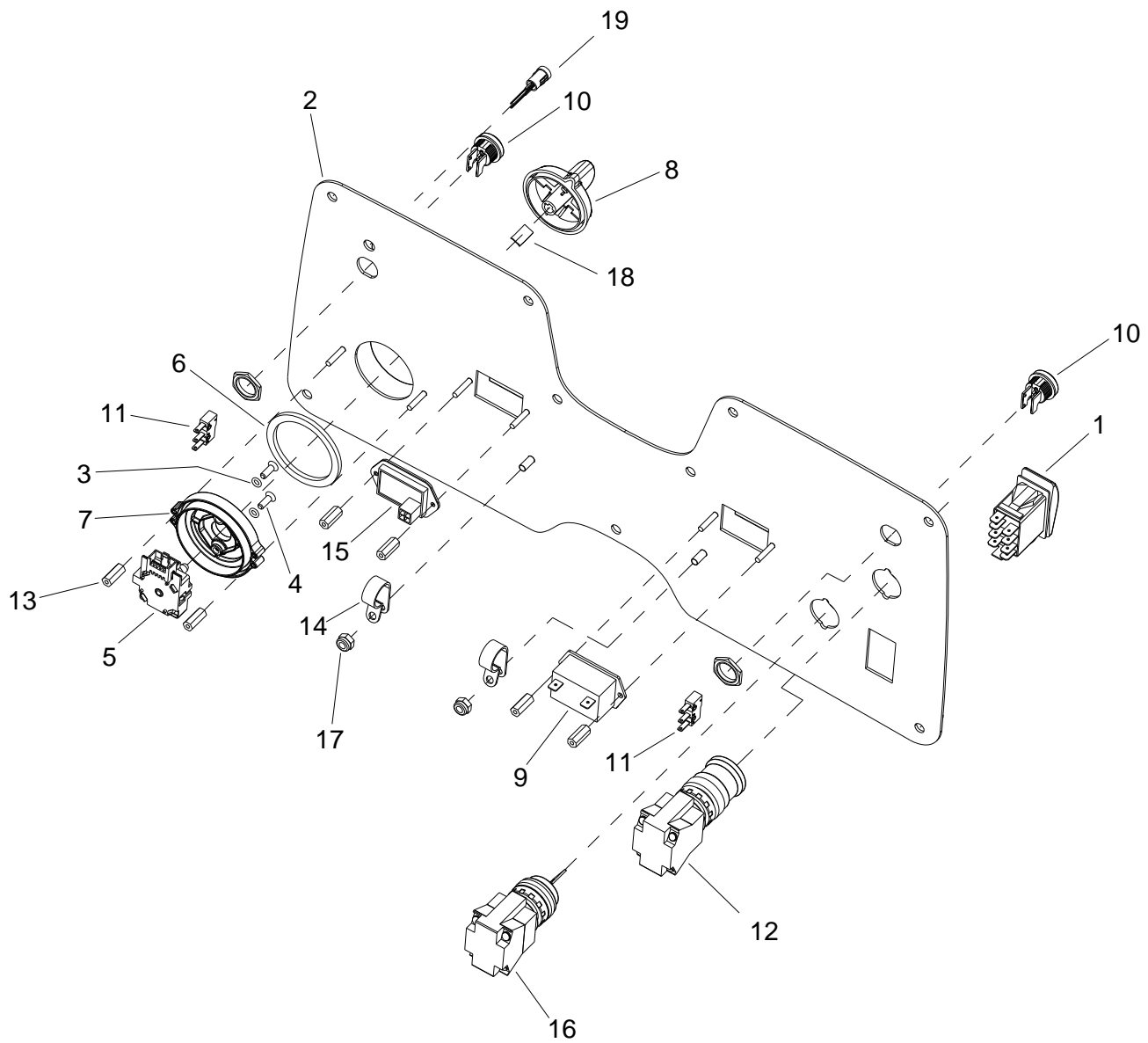
REF	PART NO.	QTY	DESCRIPTION	SERIAL NO. FROM	NOTES
1	86005620	1	NUT, 1/4-20 X .962 WELL		
2	86199840	1	FLOAT SCREEN CAGE ASSY (SLIP)		
3	86272020	2	NUT, 8-32 HEXTHIN NYLOCK SS		
4	86361770	2	WASHER, 1/4 SAE FLAT SS		
5	86361760	1	SCR, 1/4-20 X 1.25 CARRIAGE SS		
6	86361410	1	GASKET, SIGHT GLASS DOME		
7	86360770	1	BRKT, RECOVERY TUBE		
8	86360700	1	GASKET, .188 X .37 X 53.2		
9A	86399810	1	CONSOLE, GRAY, CS26		
9B	86399830	1	CONSOLE, GRAY, MC, CS26		OPTIONAL -CSM26
9C	86399820	1	CONSOLE, GRAY, OBC, CS26		OPTIONAL-CSC26
9D	86399800	1	CONSOLE, GRAY, OBC/MC, CS26		OPTIONAL-CSCM26
10	86006530	2	SCR, 1/4-20 X 1 PPHMS SS		
11	86360260	1	SHAFT, .25 X 15.80, SS		
12	86360140	1	BRKT, LID HINGE		
13	86359560	1	GASKET, FLOAT SCREEN ADAPTER		
14	86359220	1	GASKET, LID, 48.5"		
15	86399930	1	LID, RECOVERY, BLK		
16	86359090	1	ADAPTER, FLOAT SCREEN		
17	86359050	1	DOME, SIGHT GLASS		
18	86359020	1	BASKET, FILTER, RECOVERY TANK		
19	86324210	2	SCR, 1/4-20 X 5/8 BHCS BLK		
20	86323300	1	WASHER, 1/4" RUBBER		
21	86279610	2	WASHER, SEAL 1/4X5/8OD SS		
22	86161800	1	LATCH, CONCEALED KEEPER		
23	86277620	2	SCR, 8-32 X .5 HHCS SS		
24	86273750	1	SCR, 1/4-20 X 5/8 HHCS SS		
25	86010650	2	WASHER, #10 X 9/16 OD		
26	86329570	2	SCR, 10-32 X 1.0 TORX SS BLK PLTD		

# Console Mounting



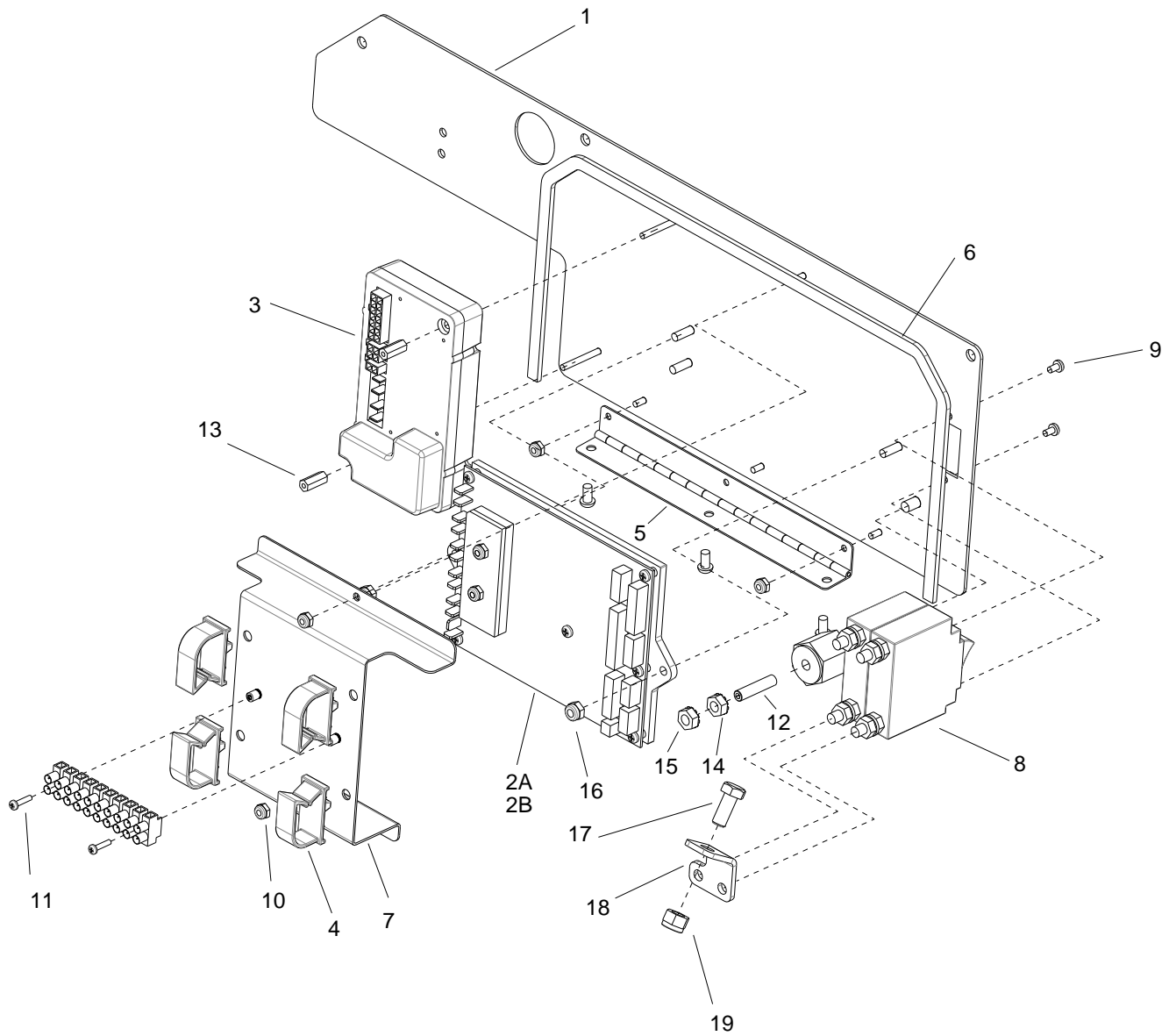
REF	PART NO.	QTY	DESCRIPTION	SERIAL NO. FROM	NOTES
1	86360300	1	BRKT, CONSOLE MT LT		
2	86276490	5	SCREW 5/16-18 X 5/8 HHCS SS		
3	86010670	5	WASHER 5/16 FLAT SS		
4	86360290	1	BRKT, CONSOLE MT RT		
5	86367960	2	SCR, 5/16-18 X 1.38 HHCS SS		
6	86367250	2	WASHER, .344ID X 1.13OD X .09T SS		

# Control Panel - Upper



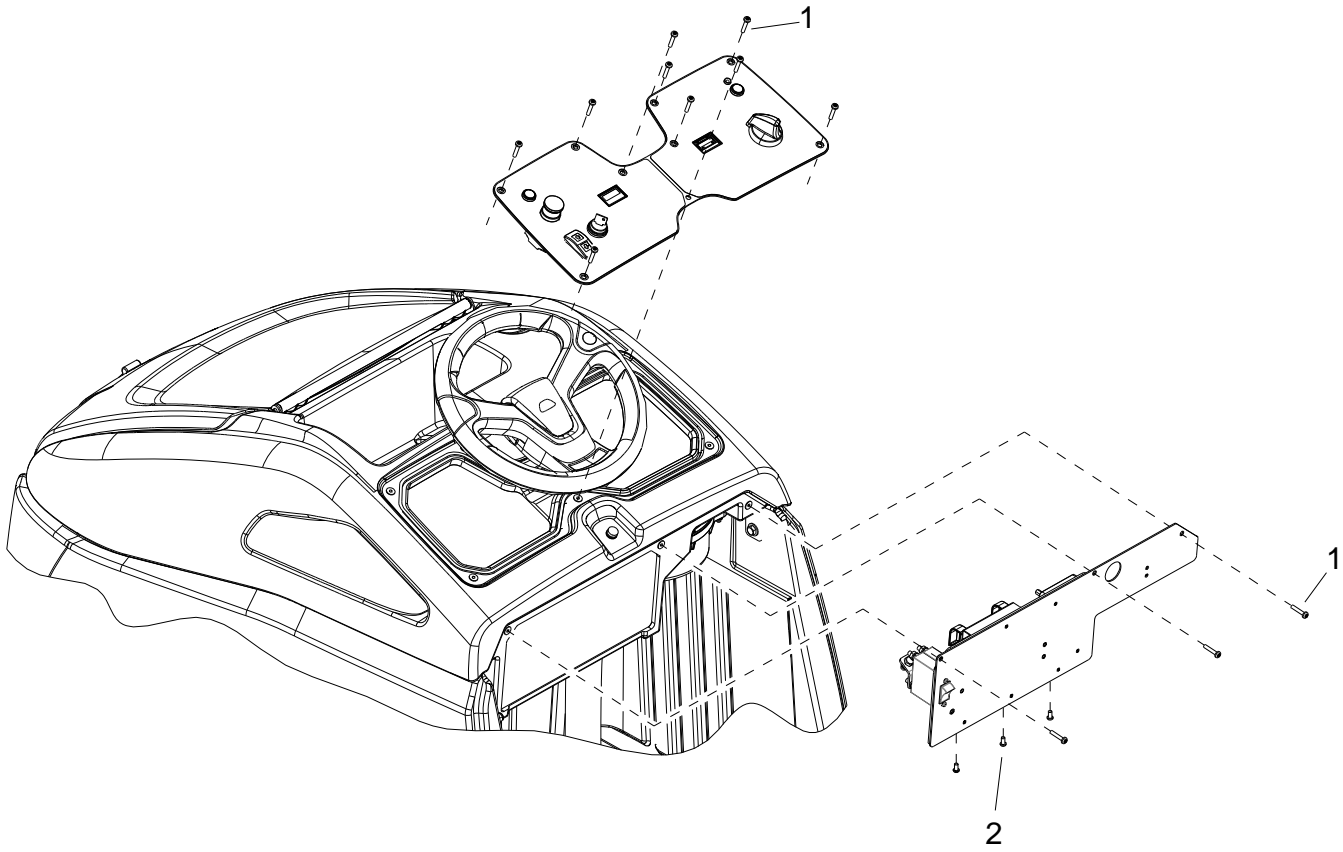
REF	PART NO.	QTY	DESCRIPTION	SERIAL NO. FROM	NOTES
1	86362590	1	SWITCH, SPDT 3 POSN MOM, ARROW		
2	86360690	1	PANEL, CONTROL UPPER, CS26		
3	86358440	2	O-RING, 4MM ID, 1.5MM THK, BUNA-N		
4	86358430	2	SCR, M4X12, FHMS, ISO7046, SS NP		
5	86354870	1	SWITCH, ROTARY		
6	86354810	1	GASKET, ROTARY SWITCH		
7	86354560	1	BEZEL, ROTARY SWITCH		
8	53217380	1	KNOB, SELECTION		
9	86315470	1	METER, HOUR, LCD		
10	86295200	2	ASM, BUTTON, BLACK, W/BEZEL		
11	86292780	2	SWITCH,MICRO		
12	86292590	1	SWITCH, E-STOP AKW CHARIOT		
13	86255900	6	STANDOFF, 6-32 X 5/8 HEX NYL		
14	86198460	2	CLAMP, 5/8 NYLON		
15	86012670	1	METER, 36V BATTERY		
16	86007190	1	SWITCH, KEY DPST		
17	86005640	2	NUT, 10-32 HEX NYLOCK		
18	63130140	1	SPRING ELEMENT		
19	86367100	1	LED, WATER INDICATOR		

# Control Panel-Lower

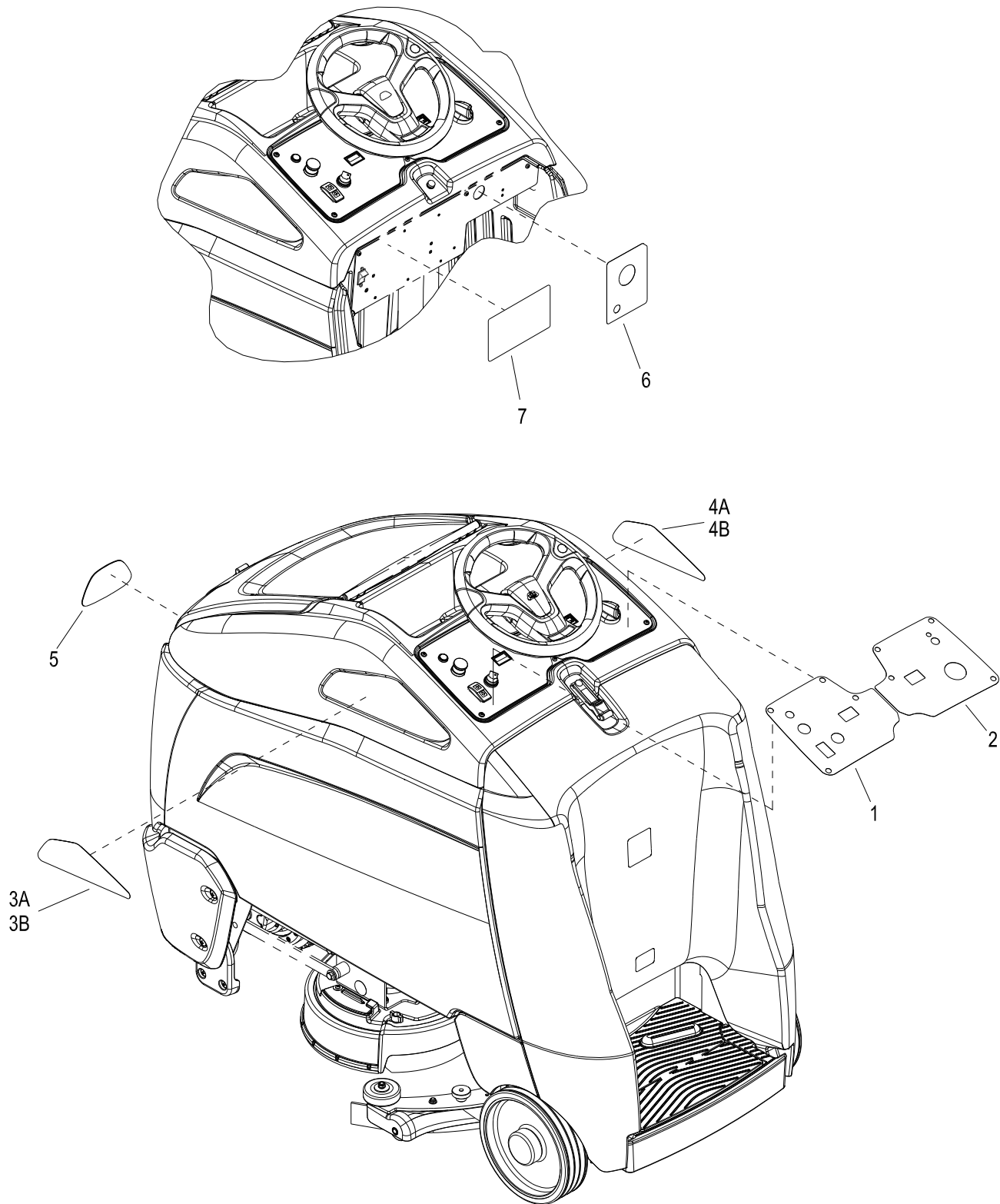


REF	PART NO.	QTY	DESCRIPTION	SERIAL NO. FROM	NOTES
1	86366910	1	PANEL, LOWER. CS26		
2A	86370780	1	KIT, PICDUO CONTROLLER		DISK
2B	86370510	1	PICDUO ASSEMBLY, MC, CS26SP		CYLINDRICAL
3	86361870	1	CONTROLLER, I-DRIVE CS26		
4	86361520	4	CLIP, CABLE ENTRY		
5	86361420	1	HINGE, PANEL		
6	86360890	1	GASKET, .125 X .31 X 23.6		
7	86360880	1	COVER, CONTROL BOARD		
8	86369020	1	BREAKER, 60A 2 - POLE		
9	86006620	2	SCREW, 6-32 X 1/4 PPHMS SS		
10	86270920	4	NUT, 6-32 HEX NYLOCK SS		
11	86275260	2	SCR, 4-40 X 1/2 PPHMS		
12	86255910	1	STANDOFF, 1/4-20 X 1.0 HEX INS		
13	86255900	2	STANDOFF, 6-32 X 5/8 HEX NYL		
14	86006850	1	SCR, 1/4-20 X 1.25 SSSCU		
15	86005710	4	NUT, 1/4-20 HEX W/STAR		
16	86005640	2	NUT, 10-32 HEX NYLOCK		
17	86006760	1	SCREW, 5/16-18 X .75 HHCS GR5 ZNPLT NP		
18	86369480	1	BRKT, CABLE ATTACHMENT		
19	86271910	1	NUT, 5/16-18 FLEX LK STL GRA CDPLT		

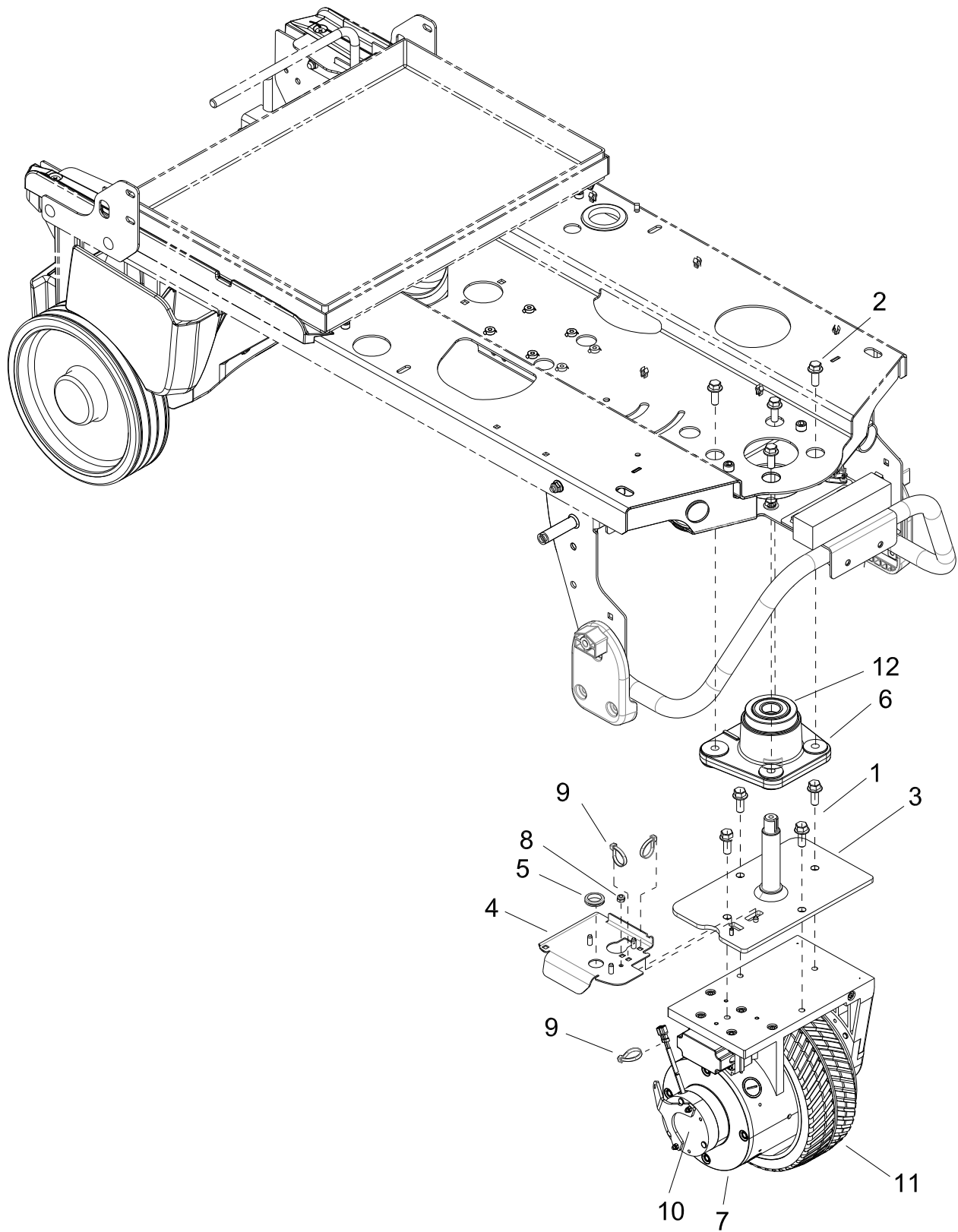
# Control Panel Mounting



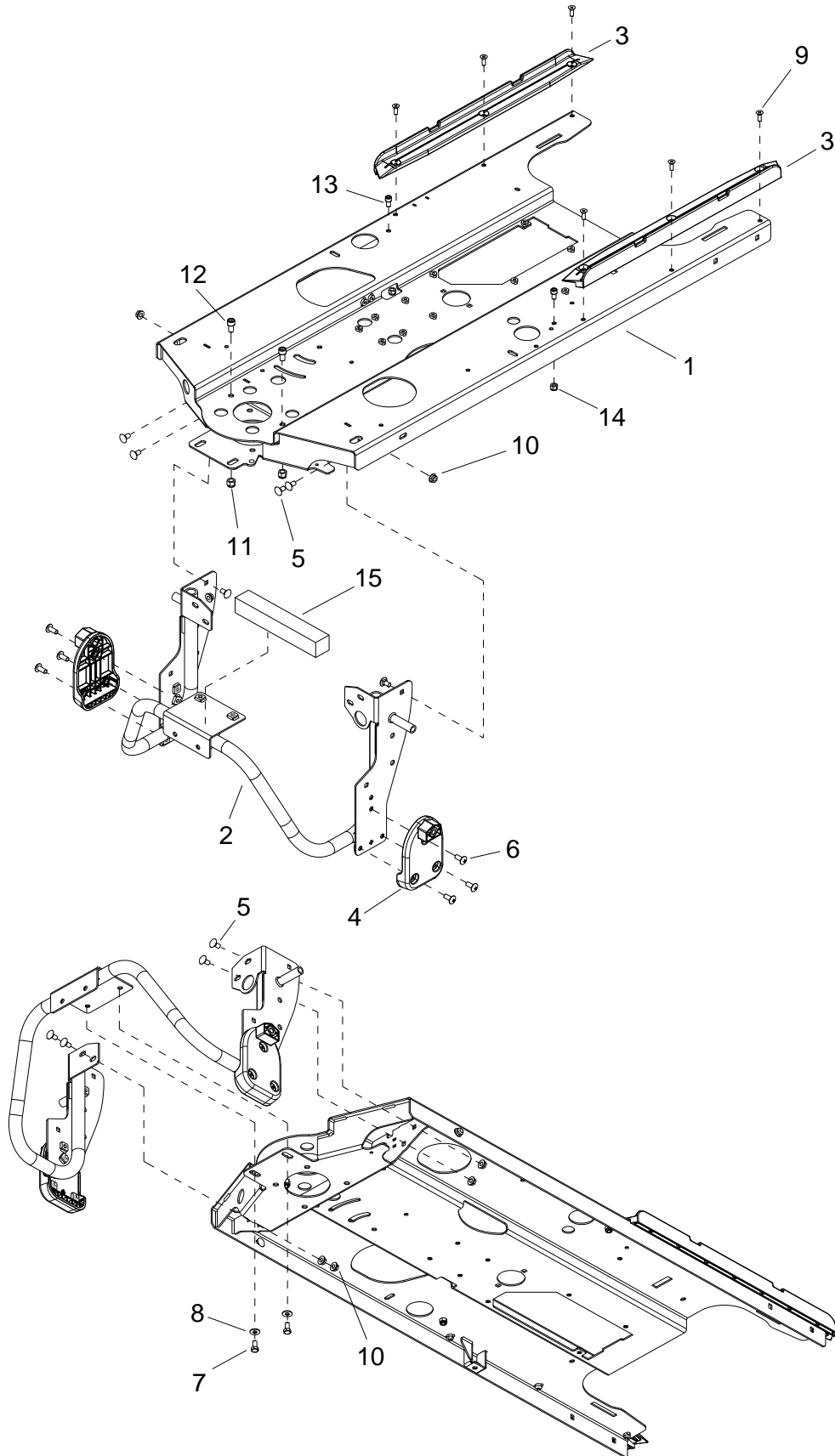
<b>REF</b>	<b>PART NO.</b>	<b>QTY</b>	<b>DESCRIPTION</b>	<b>SERIAL NO. FROM</b>	<b>NOTES</b>
1	86371410	12	SCR, 10-32 X .75 TMS SS BLK		
2	86172980	3	SCR, KA50X10,PT OHS,WN1412,PLTD		



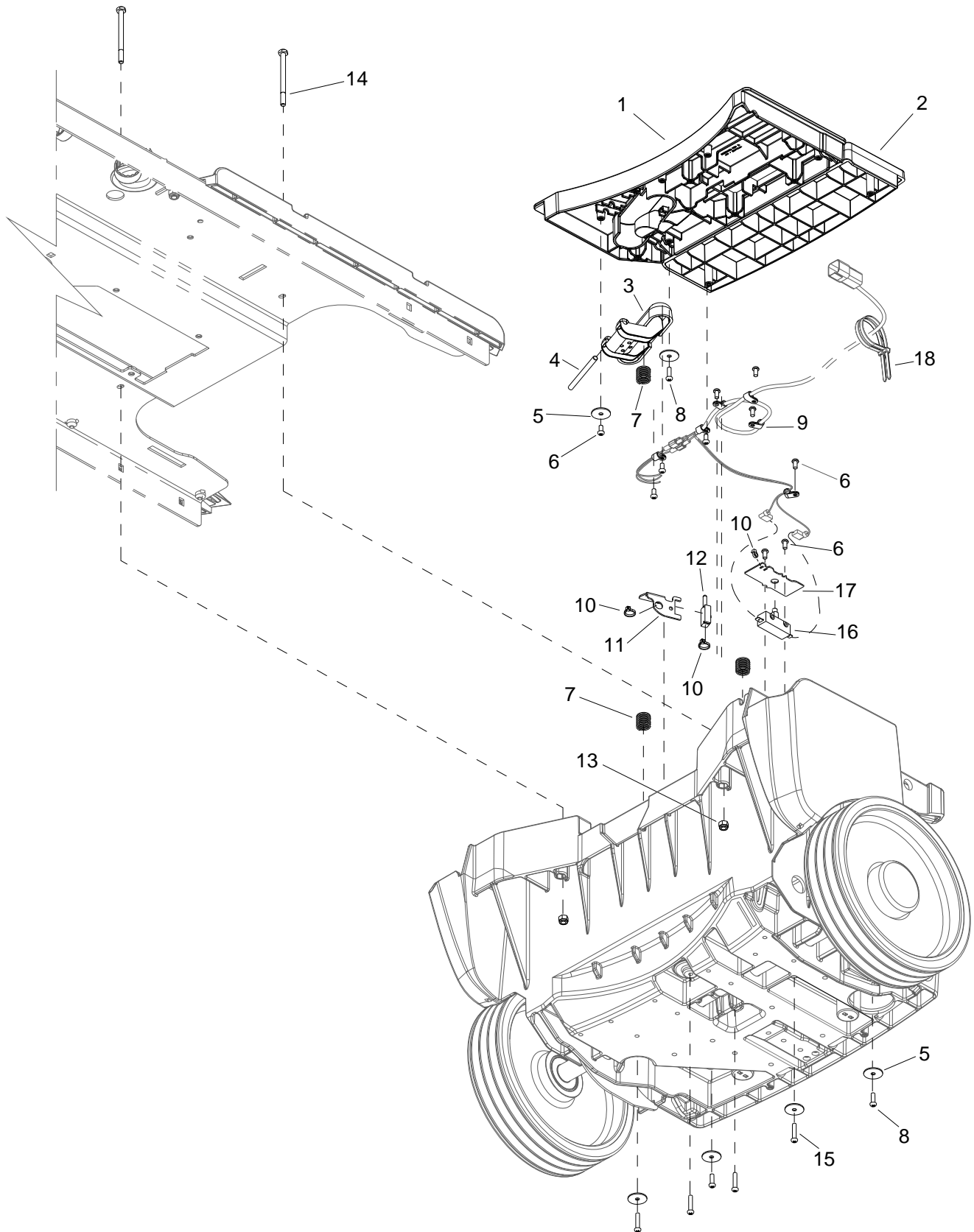
REF	PART NO.	QTY	DESCRIPTION	SERIAL NO. FROM	NOTES
1	86395410	1	LABEL, CS26, CONTROL, LEFT		
2	86395420	1	LABEL, CS26 CONTROL, RIGHT		
3A	86395430	1	LABEL, CS26, SIDE, LEFT		DISK
3B	86395440	1	LABEL, CS26SP, SIDE, LEFT		CYLINDRICAL
4A	86395450	1	LABEL, CS26, SIDE, RIGHT		DISK
4B	86395460	1	LABEL, CS26SP, SIDE, RIGHT		CYLINDRICAL
5	86395400	1	LABEL WINDSOR LOGO DOMED		
6	86395470	1	LABEL, CHEMICAL METERING		OPTIONAL
7	86362940	1	LABEL, BATTERY CABLING		



REF	PART NO.	QTY	DESCRIPTION	SERIAL NO. FROM	NOTES
1	86366140	4	M10 X 25MM, FLANGE HH BOLT, GR 10.9		
2	86366130	4	3/8-16 X 1, FLANGE HH BOLT, GR 8		
3	86364130	1	ASM, SHAFT DRIVE MOTOR		
4	86361070	1	BRKT, WIRING, DRIVE UNIT		
5	86218360	1	GROMMET, 3/4 ID X 7/8 GROOVE		
6	86357870	1	ASM, BEARING BLOCK, FRT DRIVE		COMPLETE
7	86357120	1	HUB, DRIVE WHEEL MOTOR, 36V		COMPLETE
8	86270990	1	NUT, 10-32 HEX NYLOCK SS		
9	86264940	3	CABLE TIE, 11.38" UL/CSA		
10	86357130	1	BRAKE		
11	64358540	1	WHEEL DRIVE WHEEL MOTOR		
12	86223980	2	BEARING, SEALED BALL, 25MM X 52MM		
-	66132310	-	CARBON BRUSH SET		

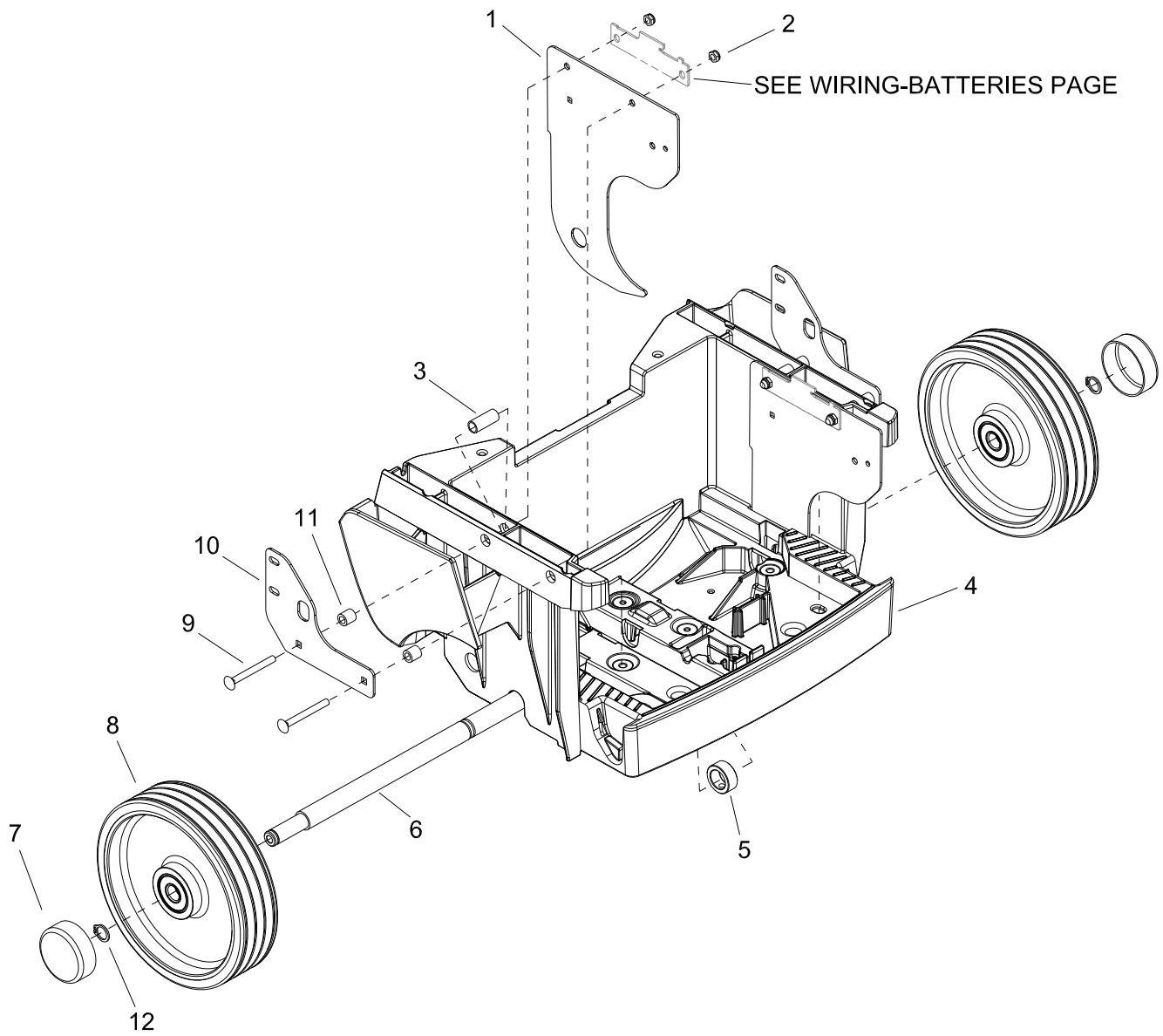


REF	PART NO.	QTY	DESCRIPTION	SERIAL NO. FROM	NOTES
1	86360820	1	ASSY, MAIN SUPPORT, CS26		
2	86360710	1	ASM, WHEEL GUARD		
3	86358190	2	GLIDE, BATTERY TRAY		
4	86357950	2	PAD, TIP		
5	86277410	6	SCR, 5/16-18 X 5/8 CARRIAGE SS		
6	86276890	6	SCREW 5/16-18X3/4 PTHMS SS		
7	86276490	2	SCREW 5/16-18 X 5/8 HHCS SS		
8	86010670	2	WASHER 5/16 FLAT SS		
9	86400810	6	SCREW, 1/4-20 X .75 PHFLHMS SS		
10	86368240	6	NUT,5/16-18, FLGNYLOCK,SS		
11	86361210	2	SCR, 3/8-16 X 0.625 SHCS		
12	86005770	2	NUT 3/8-16 HEX NYLOCK		
13	86006640	2	SCREW 5/16-18 X 1/2 SHCS NP		
14	86270830	2	NUT 5/16-18 HEX NYLOCK SS		
15	86368730	1	FOAM, ADH BACKED 1-SIDE, 6X1.5 X1.5		

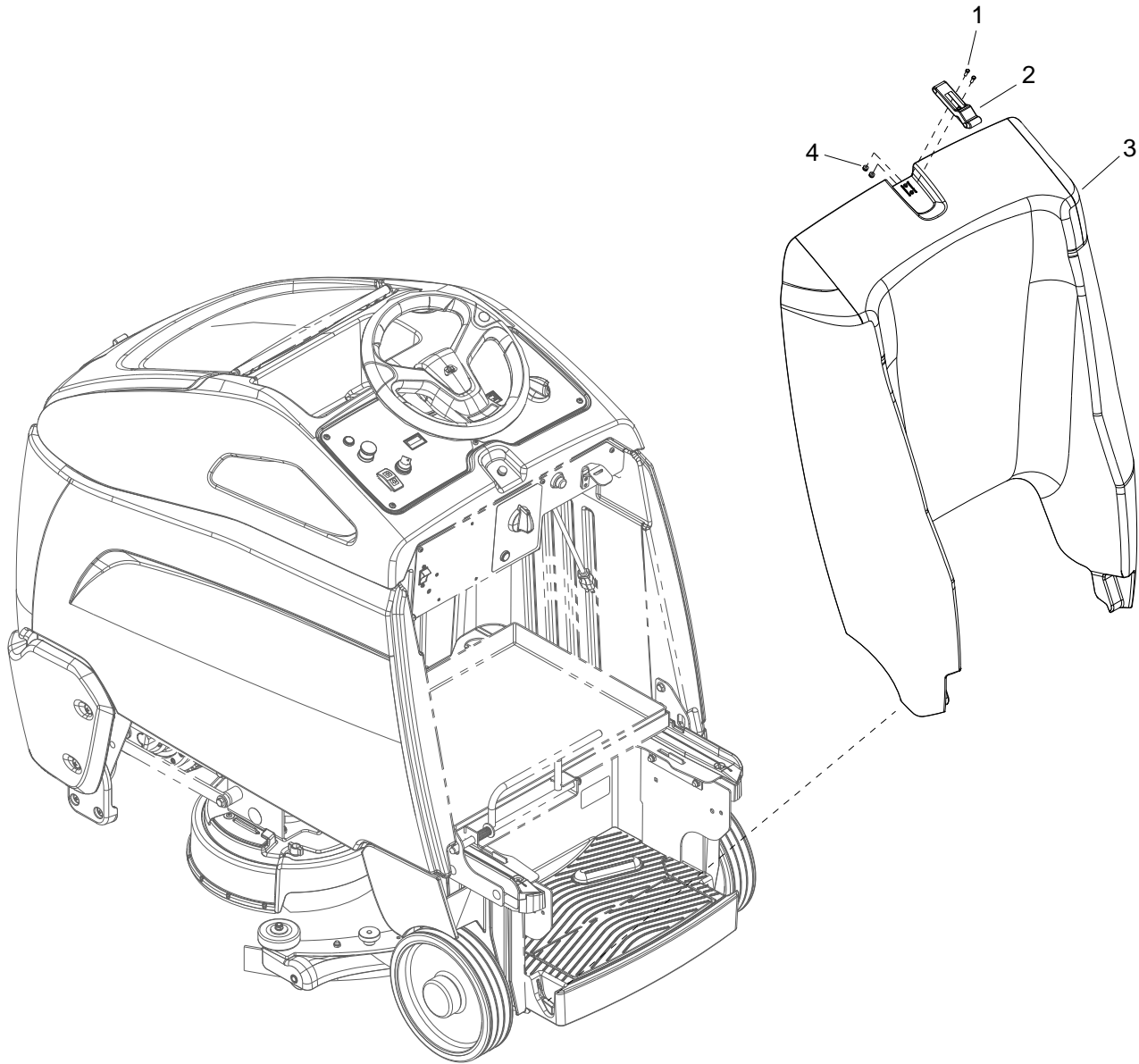


REF	PART NO.	QTY	DESCRIPTION	SERIAL NO. FROM	NOTES
1	86399670	1	PLATFORM, OPERATOR, BLK		
2	86334240	1	PEDAL, HEEL, BLK		
3	86334690	1	PEDAL, ACCELERATOR, YEL		
4	86361170	1	PIN, DOWEL, .25D X 3.125", STEEL		
5	86279170	6	WASHER, #10 X 1.0 FLAT		
6	86172980	10	SCR, KA50X10,PT OHS,WN1412,PLTD		
7	86254970	3	SPRING, COMP 18MMOD X 83 X 2		
8	86327510	3	SCR, KA50 x 16, WN1412 A2 SS		
9	86198440	6	CLAMP, 1/4 PLASTIC CABLE		
10	86264930	2	CABLE TIE, 3.5" UL/CSA		
11	86361060	1	BRKT, POT. ACCEL PEDAL		
12	86311560	1	POTENTIOMETER ASM, LINEAR		
13	86005810	2	NUT 1/4-20 HEX NYLOCK SS		
14	86007010	2	SCREW 1/4-20 X 3 1/4 HHCS PLT		
15	86327910	4	SCR, KA50X25, PT OHS, WN1412, PLTD		
16	86007110	1	SWITCH, 25A SPST 125-250V SNAP		
17	86361160	1	PLATE, SWITCH COVER		
18	86264940	2	CABLE TIE, 11.38" UL/CSA		

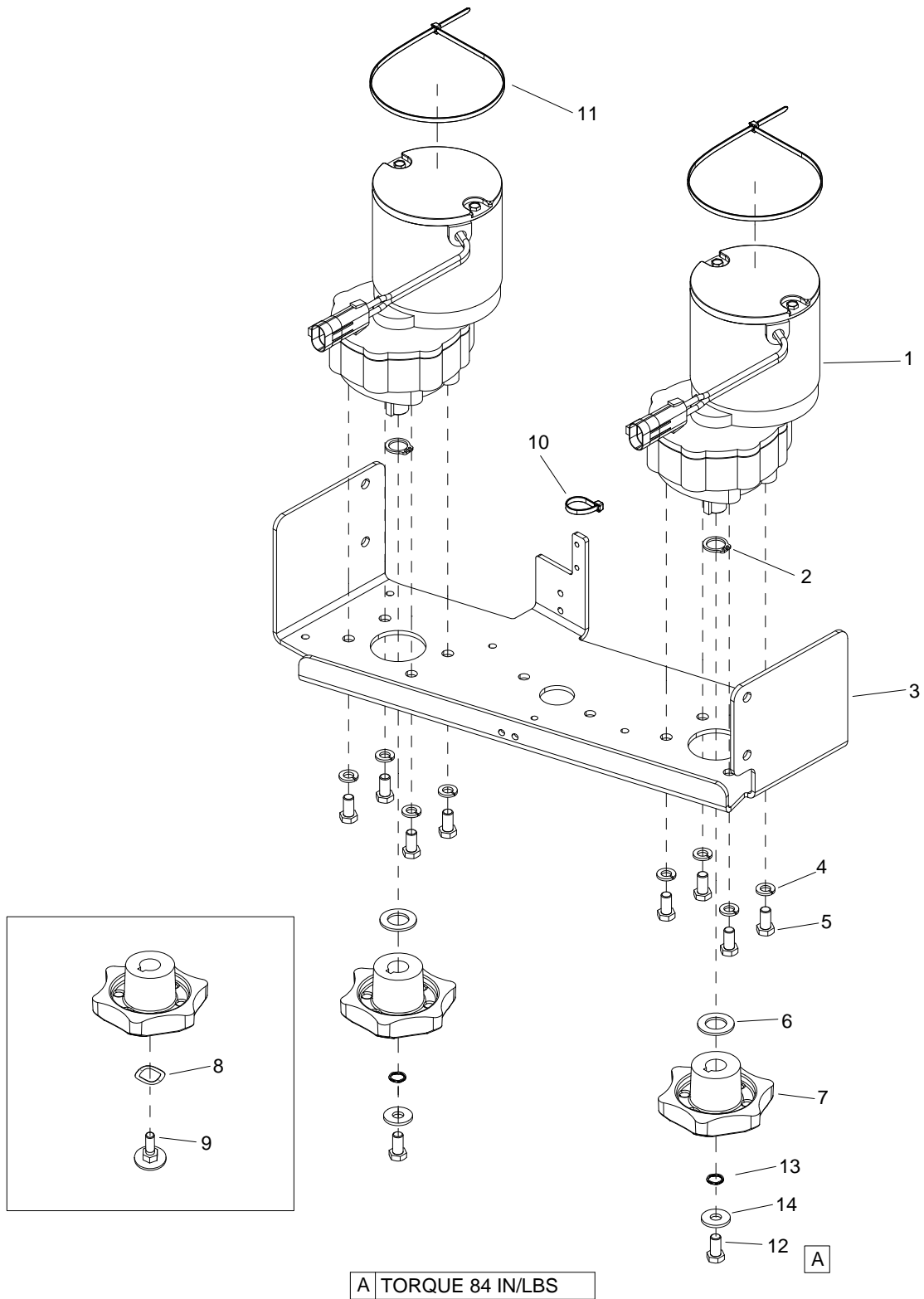
# Platform Footbox & Rear Wheels



REF	PART NO.	QTY	DESCRIPTION	SERIAL NO. FROM	NOTES
1	86361130	2	PLATE, PLATFORM SUPPORT		
2	86271840	4	NUT 5/16-18 HEX NYLOCK THIN SS		
3	86361140	4	SPACER, 1.50 X .625OD X .065" WALL		
4	86399620	1	FOOTBOX, OPERATOR PLATFORM		
5	86361120	1	COLLAR, SHFT 1"ID X 1-5/8"OD X 5/8"		
6	86357990	1	AXLE, REAR		
7	86232130	2	CAP 2.75 ID X 1.0 L BLK VINYL		
8	86335520	2	WHEEL, 10 X 2.5, PLSTC HUB, W/BEARINGS		
9	86326490	4	SCR, 5/16+18 X 3.0 CARRIAGE, SS		
10	86361150	2	PLATE, TANK SUPPORT		
11	86224320	4	SPACER, .63 OD X .385ID X .64L		
12	86008710	2	RING 3/4" EXT SNAP H-D		



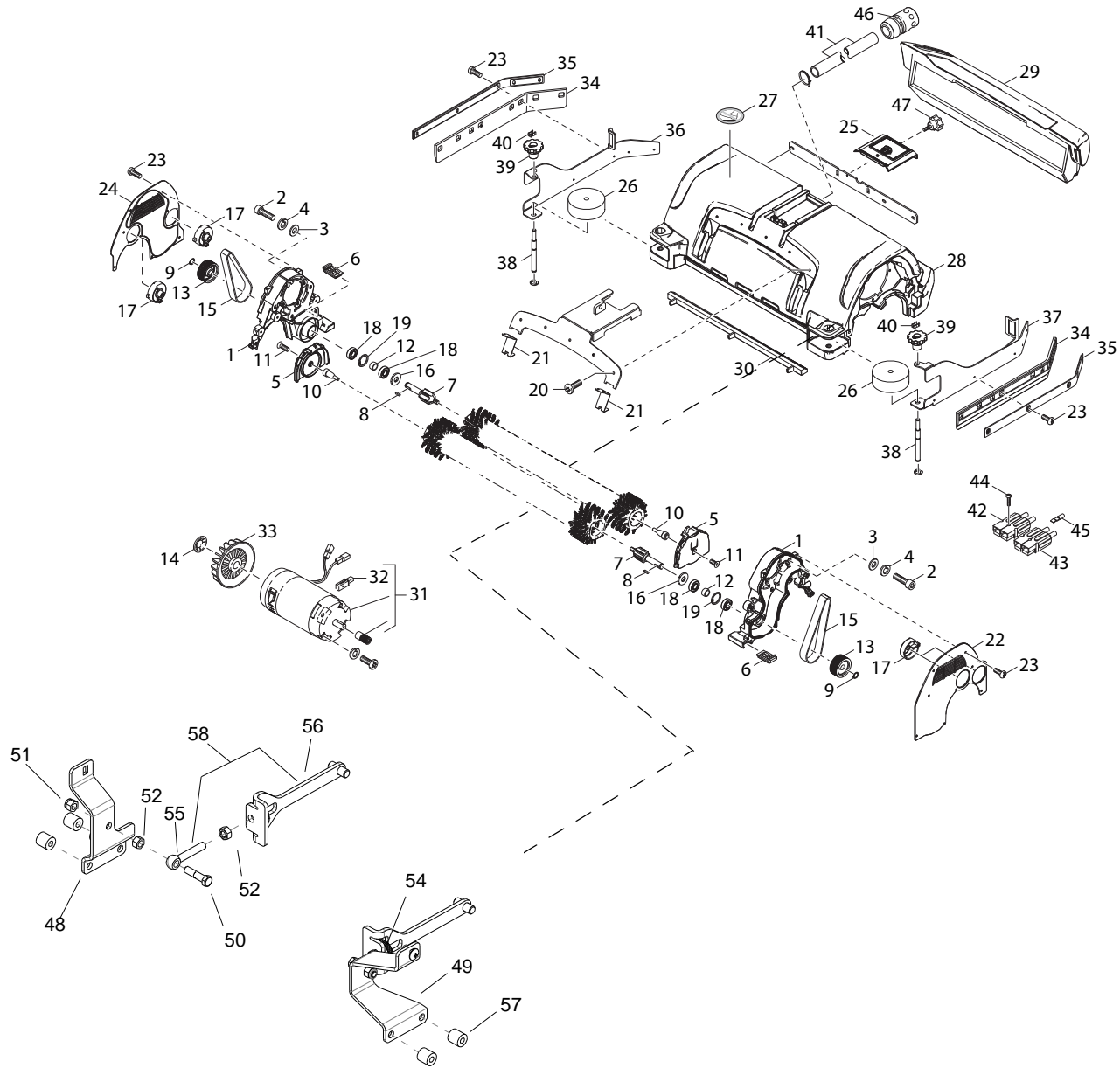
REF	PART NO.	QTY	DESCRIPTION	SERIAL NO. FROM	NOTES
1	86277620	2	SCR, 8-32 X 1/2 HHCS SS		
2	86161800	1	LATCH & CONCEALED KEEPER		
3	86399960	1	PANEL, REAR COVER, BLK		
4	86272020	2	NUT, 8-32 HEX THIN NYLOCK SS		



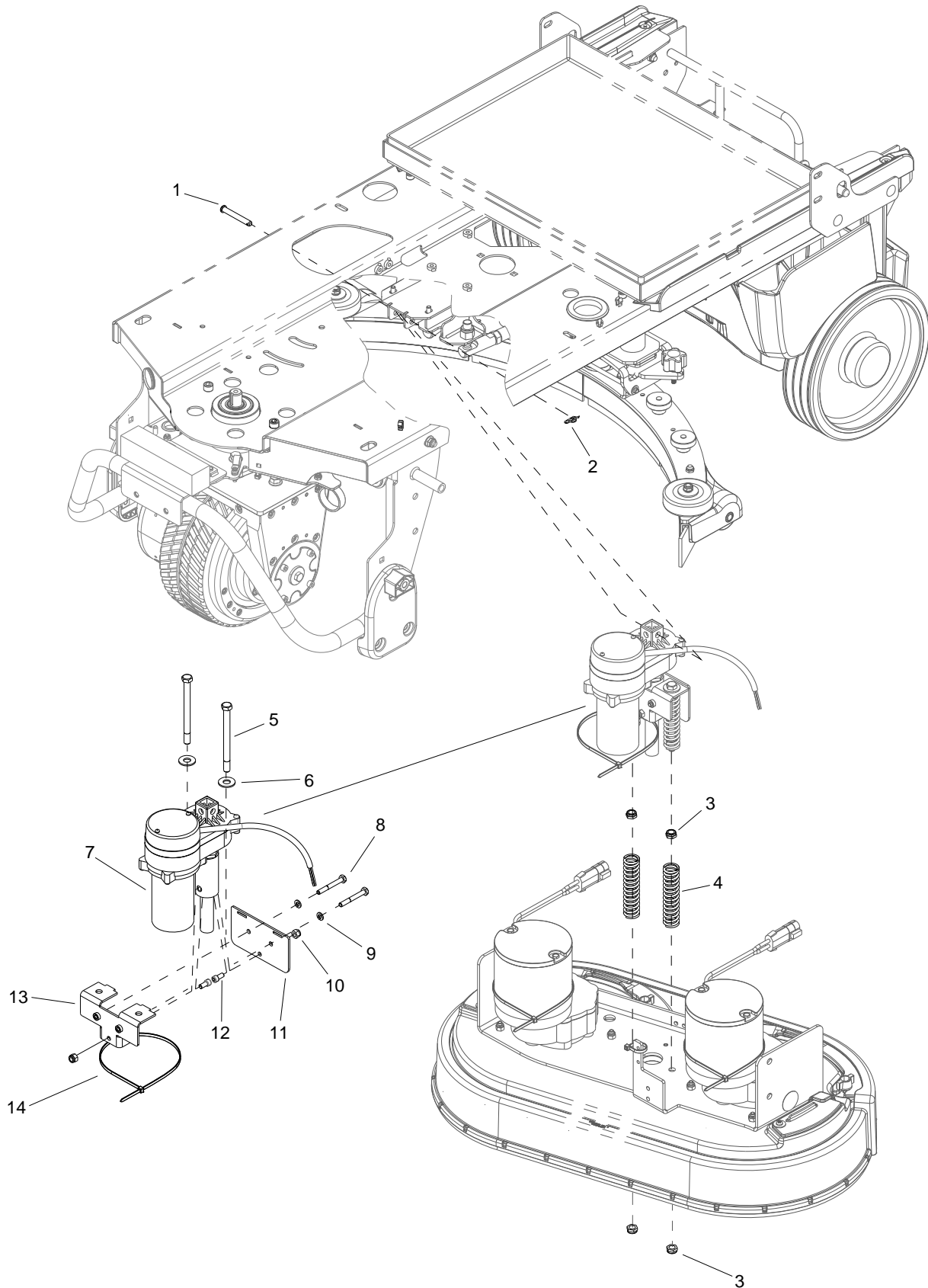
REF	PART NO.	QTY	DESCRIPTION	SERIAL NO. FROM	NOTES
1	86361810	2	MOTOR ASM, 36VDC 300RPM GEAR		
-	86368290	-	BRUSH SET, 86361810 MOTOR		
2	86008710	2	RING 3/4" EXT SNAP H-D		
3	86361580	1	PLATE, MOTOR MOUNT		
4	86010790	8	WASHER 3/8 SPLIT LOCK PLTD		
5	86276970	8	SCREW 3/8-16 X 3/4 HHCS		
6	86279530	2	WASHER .765IDX1.31ODX.09T SS		
7	86003420	2	DRIVER, BRUSH SD		
8	86392260	2	WASHER, WAVE, 3/4, STL		
9	86392270	2	ASM, SCR, TENSION, 5/16		
10	86264940	1	CABLE TIE 11.38" UL/CSA		
11	86002830	2	CABLE TIE .375 X 24.7		
12	86276780	2	SCREW, 5/16-18 X .75 HHCS SS	(2*)	
13	86279630	2	WASHER, 5/16 X 1.13 X .09 FLT	(2*)	
14	86397820	2	SPRING, 25 X 30 X 4.19mm WV	(2*)	

\* SEE SERIAL NUMBER PAGE

# Scrub Deck - Cylindrical

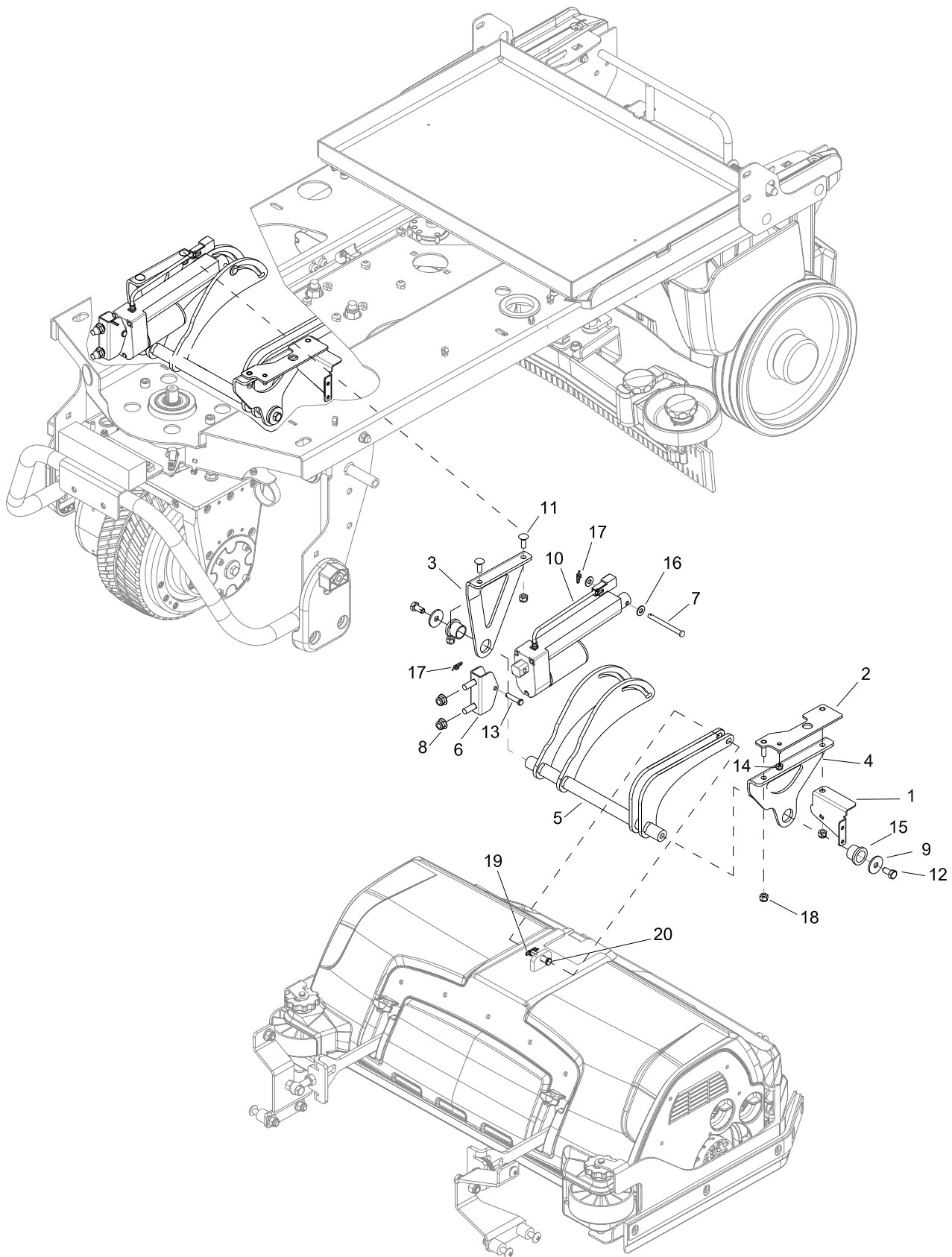


REF	PART NO.	QTY	DESCRIPTION	SERIAL NO. FROM	NOTES:
1	50448660	2	RETAINER PLATE TRANSMISSION		
2	73060310	10	SCREW M 6X16-A2-70 DIN 7984		
3	73120260	10	WASHER 6-A2 ISO 7090		
4	73130030	10	SPRING WASHER B 6FST-A3E DIN 127		
5	50448580	2	HOLDER-UP		
6	50560100	2	ROCKER BR-VS		
7	51005530	2	DRIVESHAFT BR 65/90		
8	73180020	2	PARALLEL KEY 5X5X16-C45R DIN 6885-1		
9	73430150	2	LOCKING RING 15X1-FST-RF DIN 471		
10	51163400	2	BOLT HOLDER-UP		
11	73056370	2	COUNTERSUNK SCREW M8X16-A2-70 ISO 10642		
12	51163540	2	BRUSH TRANSMISSION BR		
13	56254830	2	BELT PULLEY 57MM		
14	63431490	2	QUICK-FASTENER		
15	63484420	2	RIBBED V-BELT		
16	63631580	2	JOINT RING NILOSRING		
17	50332060	4	LOCKING PART		
18	74011150	4	BALL BEARING 6002-2RS-WAELZLAGST DIN 62		
19	73432310	2	LOCKING RING 32X1,2-ST-PH DIN 472		
20	73030470	5	SCREW M6X16-ST-R3R (IN6RD)		
21	50333940	2	LOCKING PART		
22	50332410	1	COVERING CAP LEFT		
23	73030370	28	SCREW M5X10-ST-P2R (IN6RD)		
24	50332420	1	COVERING CAP RIGHT		
25	50334030	1	COVER PLATE		
26	55150960	2	ROLLER		
27	53830970	1	DECAL		
28	50615800	1	BRUSH HOUSING BR 65		
29	50707530	1	TANK REFUSE 65		
30	51902610	1	STRIP WATER DISTRIBUTOR		
31	46239200	2	MOTOR COMPLETE 24V/600W		
32	66102160	1	CARBON BRUSHES		
33	66130250	2	BLOWER WHEEL		
34	53948230	2	SPLASH GUARD		
35	50448670	2	RETAINER STRIP SPLASH GUARD		
36	50094010	1	BRACKET RIGHT SCRAPER LIP		
37	50094020	1	BRACKET LEFT SCRAPER LIP		
38	51163390	2	THREADED BOLT		
39	50332400	2	HAND WHEEL		
40	63304070	2	SPRING CLIP		
41	63908920	1	SPIRAL HOSE		
42	66463290	2	RED PLUG		
43	66463300	2	BLUE PLUG		
44	73031070	3	SCREW 5X16-10.9-P2R (K-IN6RD)		
45	66469790	4	SWITCH CONTACT		
46	63884820	1	HOSE COUPLING		
47	63211960	1	STAR GRIP M5X10		
48	86370230	1	BRKT, DECK MOUNT, RH		
49	86370220	1	BRKT, DECK MOUNT, LH		
50	86274660	2	SCREW, 3/8-16 X 1.5 HHCS STL GR5 ZNPLT		
51	86005770	2	NUT, 3/8-16 HEX NYLOCK STL GR2 ZNPLT		
52	86005730	2	NUT, 3/8-16 HEX STL GRA ZNPLT		
53	73110060	2	HEXAGON NUT M10 -8-A3E ISO 4032		
54	73100410	2	KNURLED NUT M10- St-E2E DIN 467		
55	64014750	2	EYE SCREW LB-5.6 M10x70		
56	44812950	2	TIE ROD		
57	86370120	4	SPACER, .319DX.75DX.75L,AL		
58	86394860	-	ADD-ON KIT, TENSION ROD		
-	27630040	-	BRUSH HEAD R 65 CM W/SIDE		DECK, COMPLETE

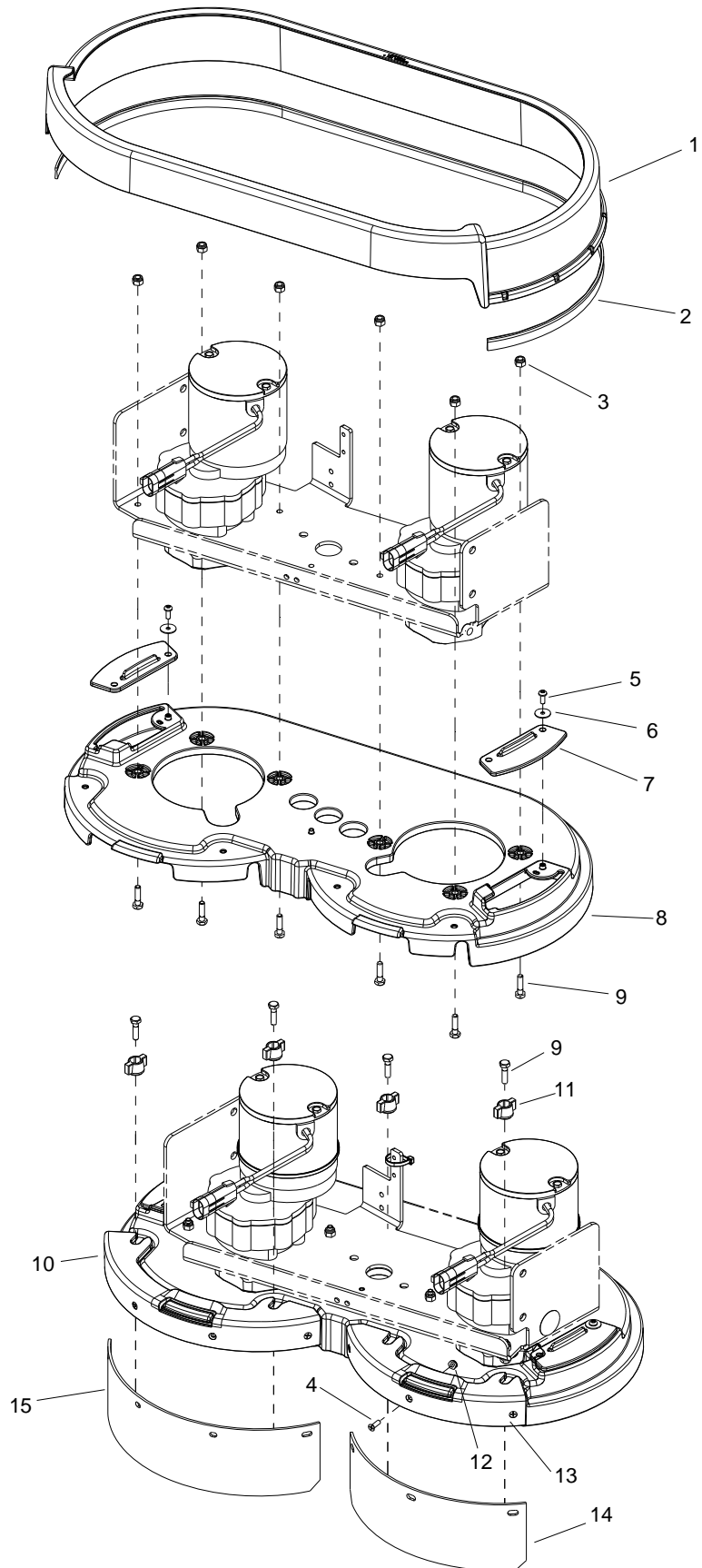


REF	PART NO.	QTY	DESCRIPTION	SERIAL NO. FROM	NOTES
1	86365440	1	PIN, CLEVIS 5/16 X 2.25 PL		
2	86008660	1	COTTER 5/16" RING		
3	86005630	4	NUT 3/8-16 HEX NYLOCK THIN SS		
4	86255450	2	SPRING .96D X 4.0L X.135W		
5	86275510	2	SCREW 3/8-16 X 4.5" HHCS GR5		
6	86010770	2	WASHER 7/16ID X1DX.08 FLT SS		
7	86011950	1	ACTUATOR, 36VDC 3.5 STRK		
8	86273850	2	SCREW 1/4-20 X 2 HHCS SS		
9	86010780	2	WASHER 1/4 SPLIT LOCK PLTD		
10	86005810	2	NUT 1/4-20 HEX NYLOCK SS		
11	86361710	1	PLATE, ACT SPG, DECK, CS26		
12	86274110	2	SCR, 1/4-20 X 1/2 SHCS		
13	86361720	1	BRKT, ACT SPGS, DECK, CS26		
14	86002830	1	CABLE TIE .375 X 24.7		

# Scrub Deck Lift - Cylindrical

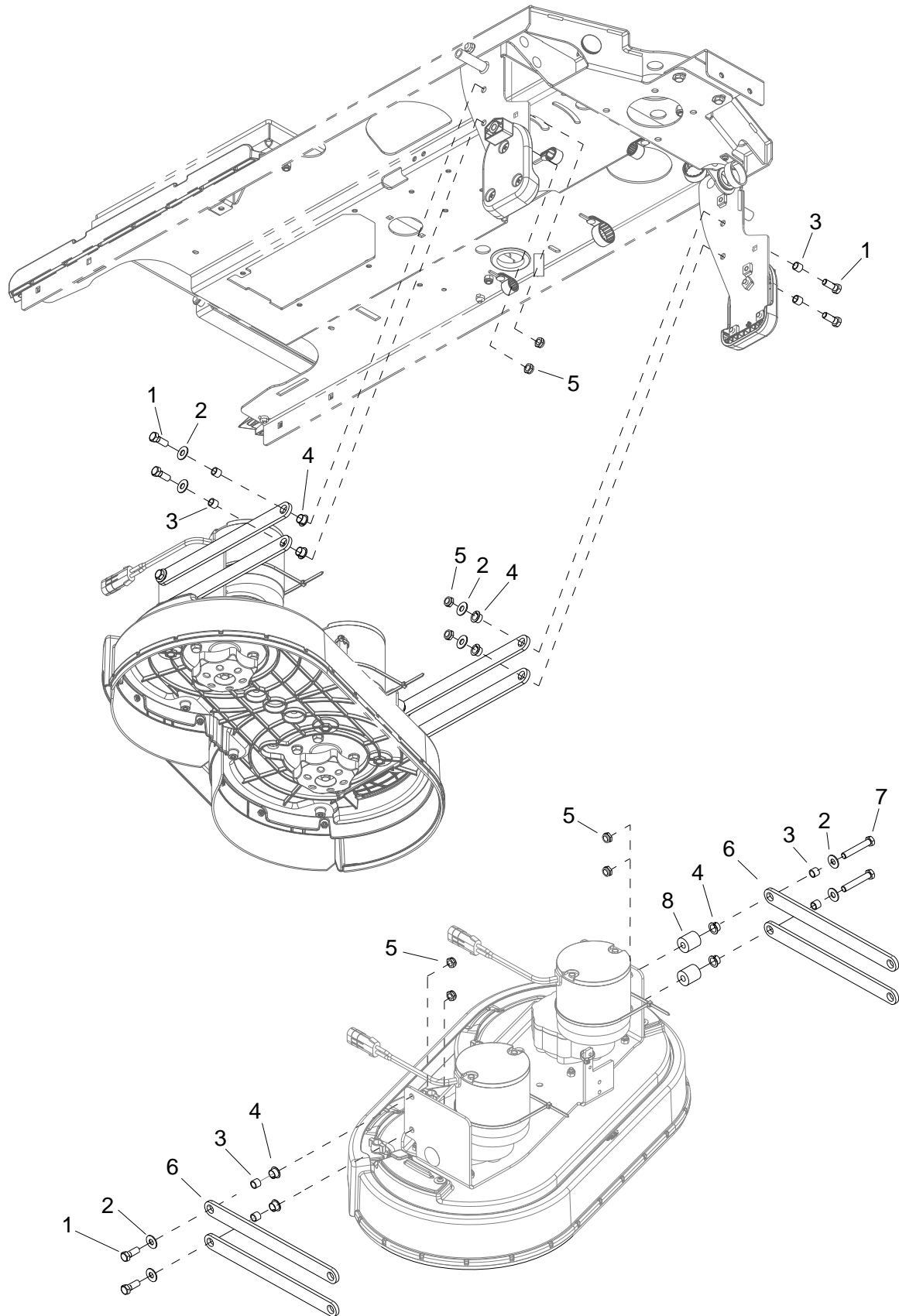


REF	PART NO.	QTY	DESCRIPTION	SERIAL NO. FROM	NOTES
1	86370800	1	BRKT, SOLENOID CS26 SP		
2	86370720	1	PLATE, CYL DECK ATTACHMENT		
3	86370280	1	BRKT, LIFT MOUNT, RH		
4	86370270	1	BRKT, LIFT MOUNT, LH		
5	86370260	1	ASM, DECK LIFT		
6	86270250	1	BRKT, ACTUATOR MOUNT		
7	86370240	1	PIN, CLEVIS 1/4 X 2.75 STL ZNPLT		
8	86368240	2	NUT, 5/16-18 FLGNLOCK, SS		
9	86367250	2	WASHER, .344 X 1.13 X .09 SS		
10	86320880	1	ACTUATOR, 36 VDC, 3.0" STK, 8.74 LNG		
11	86276950	2	SCR, 1/4-20 X 3.4 CARRIAGE SS		
12	86276490	2	SCR, 5/16-18 X 5.8 HHCS SS		
13	86272620	1	PIN, CLEVIS 1/4 X 1.125 STL ZNPLT		
14	86270990	1	NUT, 10-32 HEX NYLOCK SS		
15	86228790	2	BEARING, FLG. .88 OD X .75 ID X .75		
16	86010630	2	WASHER, 1/4 X 5/8 FLAT SS		
17	86008650	2	COTTER, 1/4 RING		
18	86360310	4	NUT, 1/4-20 FLG SS NYL		
19	86008660	1	COTTER, 5/16 RING		
20	86006200	1	PIN, CLEVIS 5/16 X 1.5 STL ZNPLT		



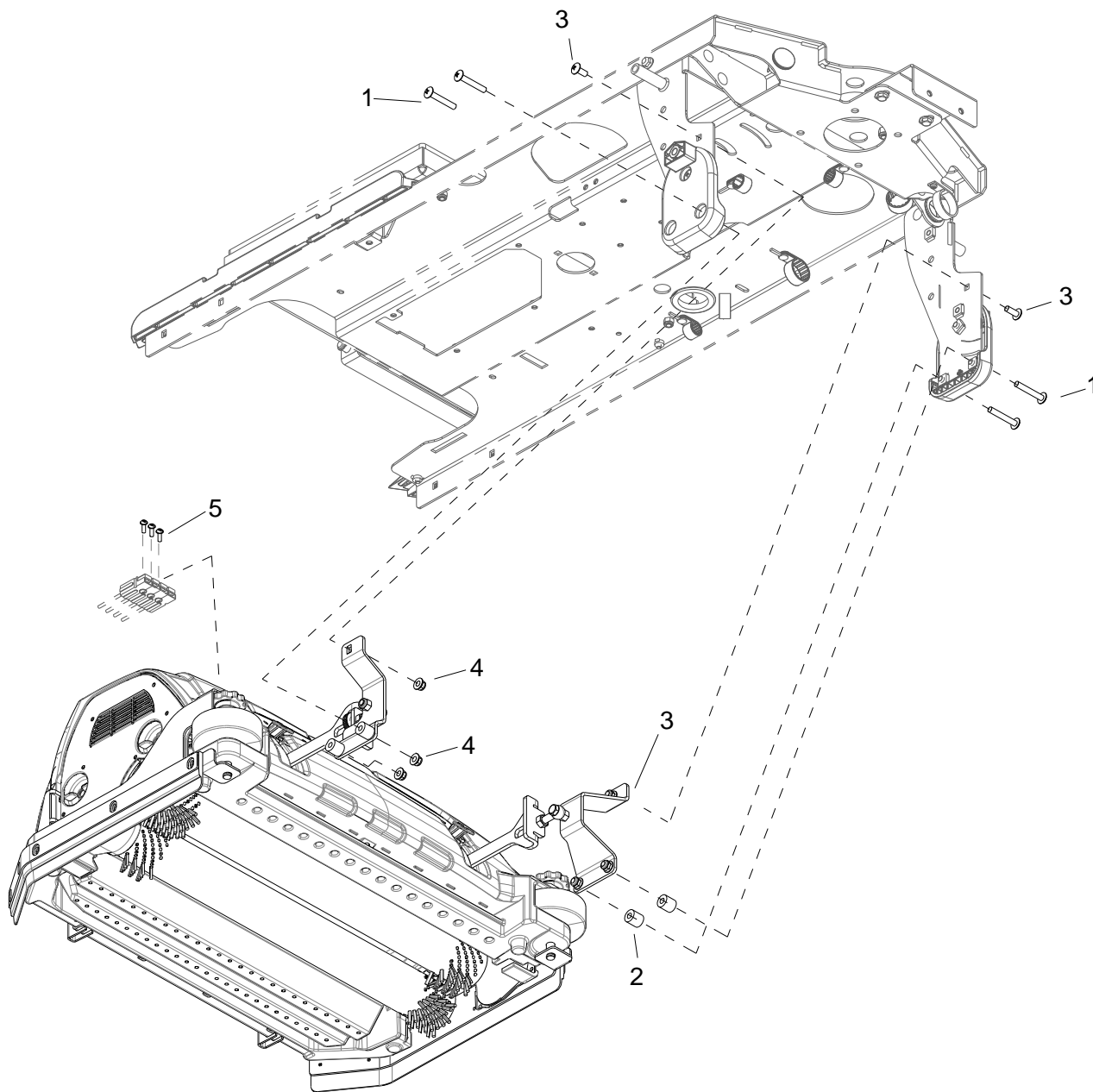
REF	PART NO.	QTY	DESCRIPTION	SERIAL NO. FROM	NOTES
1	86358580	1	SKIRT, SCRUB DECK, 26" IN		
2	86361590	1	FLEX STRIP BRUSH, 26" SKIRT		
3	86005810	6	NUT 1/4-20 HEX NYLOCK SS		
4	86364880	7	SCREW, 10-32 X 5/8, PH, CSKH, SS		
5	86006870	2	SCREW #10B X 1/2 PHSM BLK		
6	86335450	2	WASHER, #10 X.75ODX.040, NYL, BLK		
7	86358570	2	ACCESS COVER, DECK		
8	86358560	1	DECK, SCRUB, 26" IN		
9	86273810	10	SCREW, 1/4-20 X 1 HHCS SS		
10	86358620	1	MOUNT, AQUAMIZER, DECK, LH		
11	86242130	4	KNOB, HEX PRESS-LOC WING		
12	86270990	7	NUT 10-32 HEX NYLOCK SS		
13	86358630	1	MOUNT, AQUAMIZER, DECK, RH		
14	86361670	1	BLADE, AQUAMIZER, RH		
15	86361680	1	BLADE, AQUAMIZER, LH		

# Scrub Deck Mounting - Disk



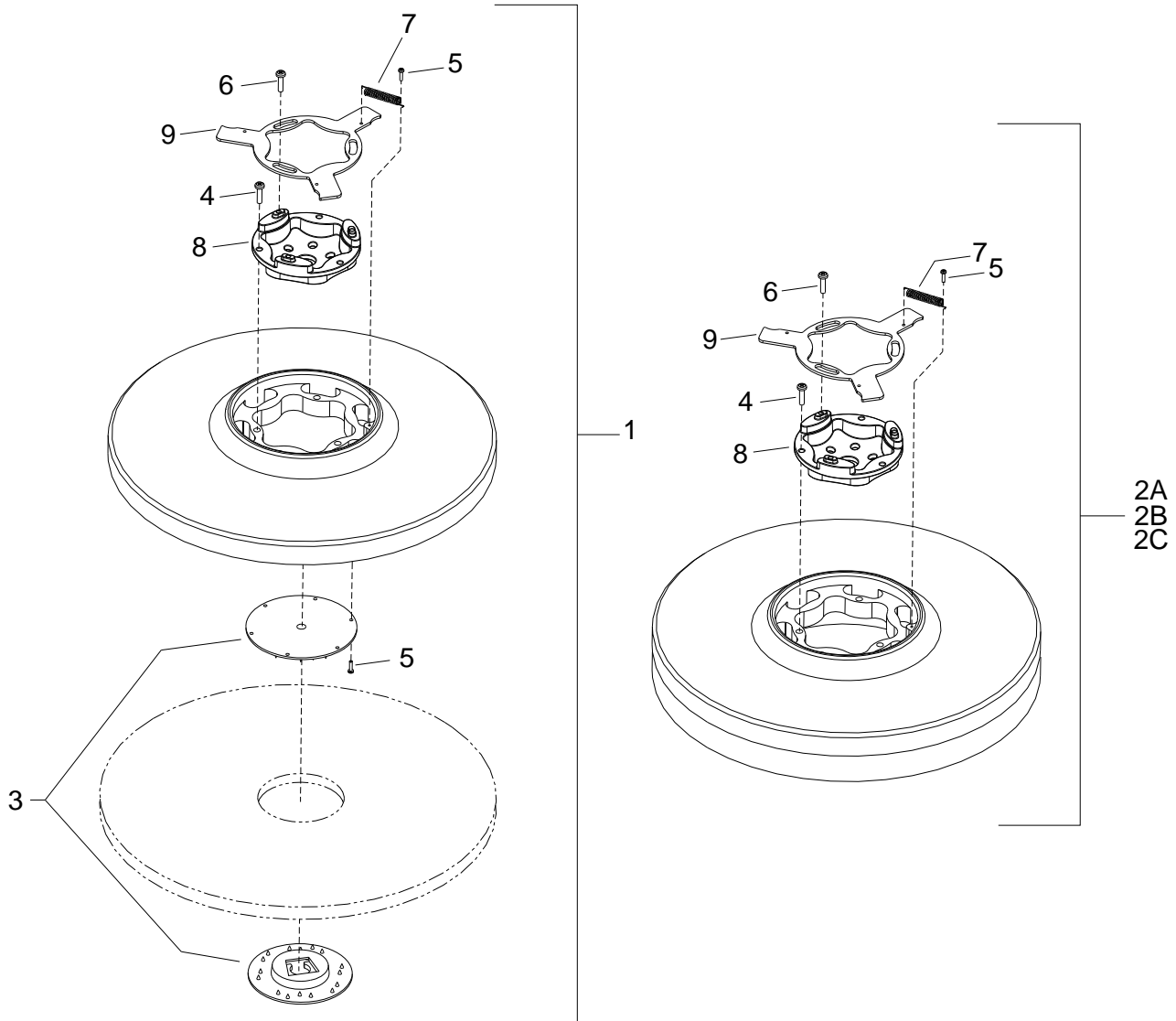
REF	PART NO.	QTY	DESCRIPTION	SERIAL NO. FROM	NOTES
1	86276920	6	SCREW 3/8-16X1		
2	86278910	8	WASHER,3/8IDX7/8ODSS		
3	86008460	8	SPACER, .500OD X .391ID X .400		
4	86009050	8	BEARING 1/2 ID X 11/32L NYLON		
5	86005630	8	NUT 3/8-16 HEX NYLOCK THIN SS		
6	86361570	4	LINKAGE, DECK, 1.00 X .25THK		
7	86276470	2	SCREW, 3/8-16 X 2.25 HHCS SS		
8	86224380	2	SPACER, 1 OD X .391 ID X 1.063		

# Scrub Deck Mounting - Cylindrical



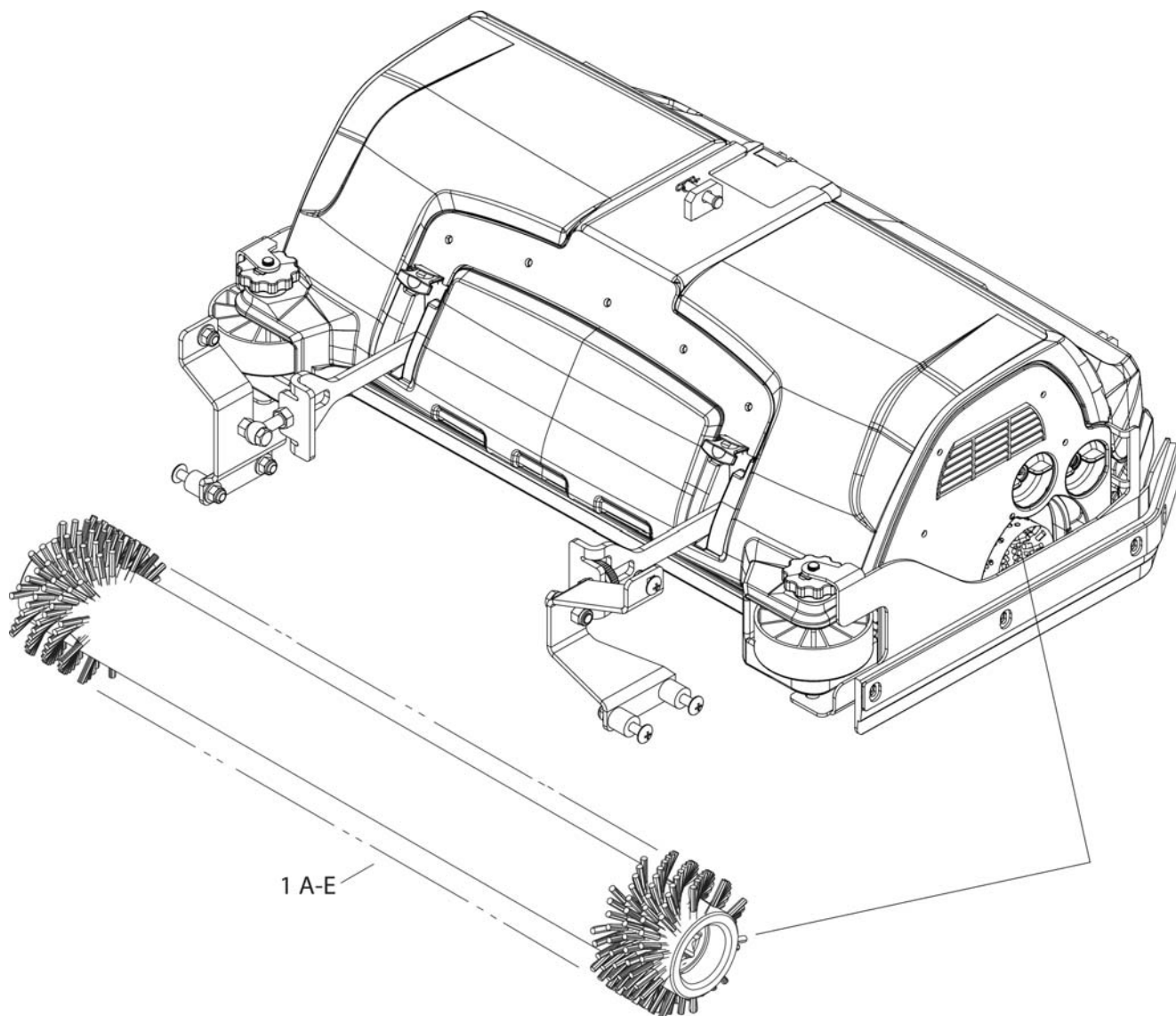
<b>REF</b>	<b>PART NO.</b>	<b>QTY</b>	<b>DESCRIPTION</b>	<b>SERIAL NO. FROM</b>	<b>NOTES</b>
1	86370830	4	SCREW, 5/16-18 X 2.0, PNH, MS, SS		
2	86370120	4	SPACER, .32 ID X .75D X .75L, AL		
3	86276890	2	SCREW, 5/16-18 X .75 PHTRHMS SS		
4	86368240	6	NUT, 5/16-18, FLGNYLOCK,SS		
5	73031070	3	SCREW, 5x16 -10.9-P2R (K-In6Rd)		

Scrub Brush/Pads Driver - Disk

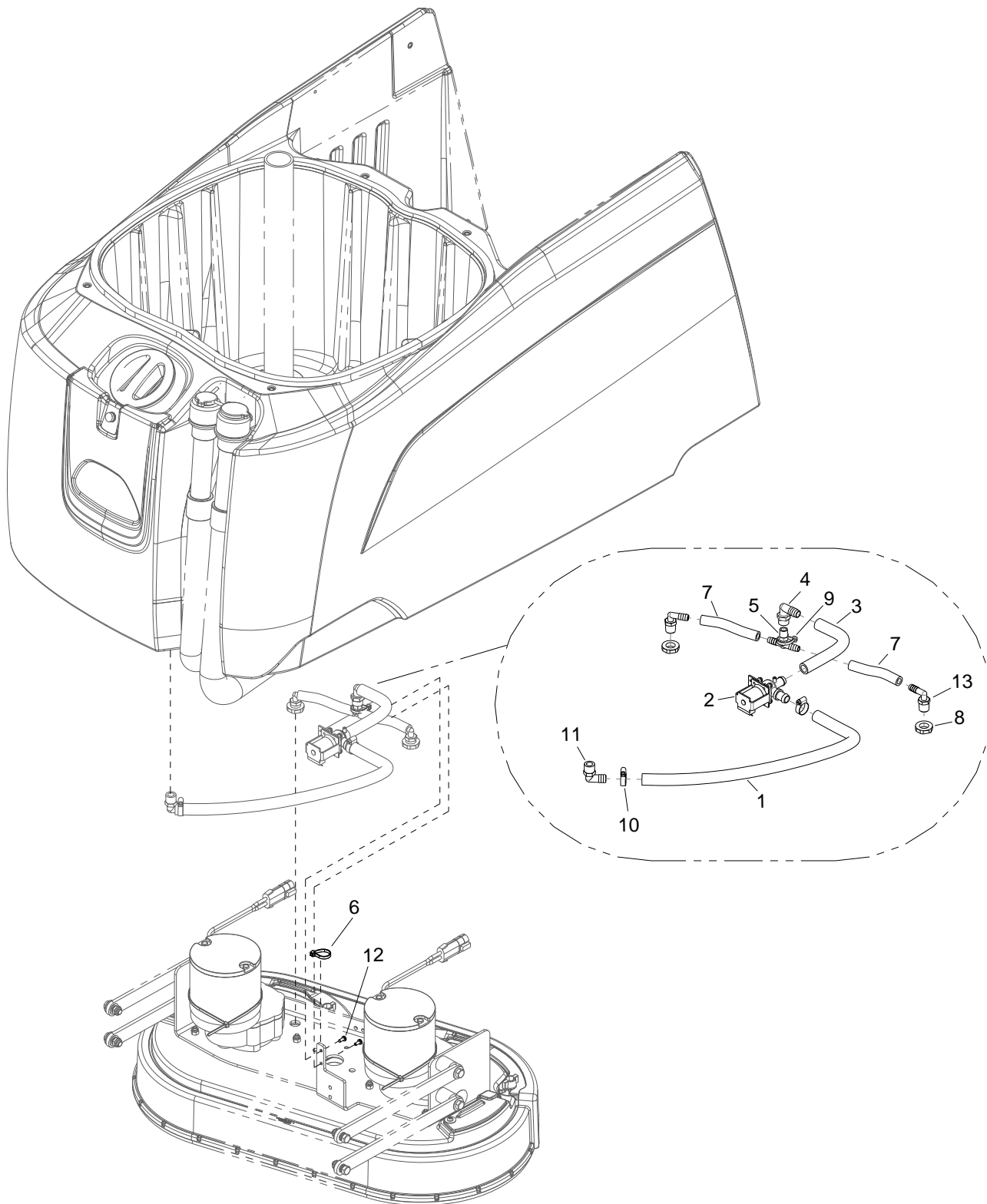


REF	PART NO.	QTY	DESCRIPTION	SERIAL NO. FROM	NOTES
1	86000210	2	PAD DRIVER, 13" SD		
2A	86000220	2	BRUSH, 13" POLY SD		
2B	86000230	2	BRUSH, 13" NYLON SD		
2C	86000240	2	BRUSH 13" MILD GRIT SD		
3	86005070	1	LOCK PAD CENTER SNAP,TWO STEP		
4	86276590	3	SCR, #12X1 PPHSMS SS		
5	86276580	4	SCR, 8-32 X 3/4 PTHMS SS		
6	86276600	3	SCR, #10 X 3/4 PTHSMS SS		
7	86007910	1	SPRING EXT .31D X 2.0L X .03W		
8	86007280	1	SOCKET, DRIVE BRUSH		
9	86005940	1	PLATE BRUSH RELEASE		

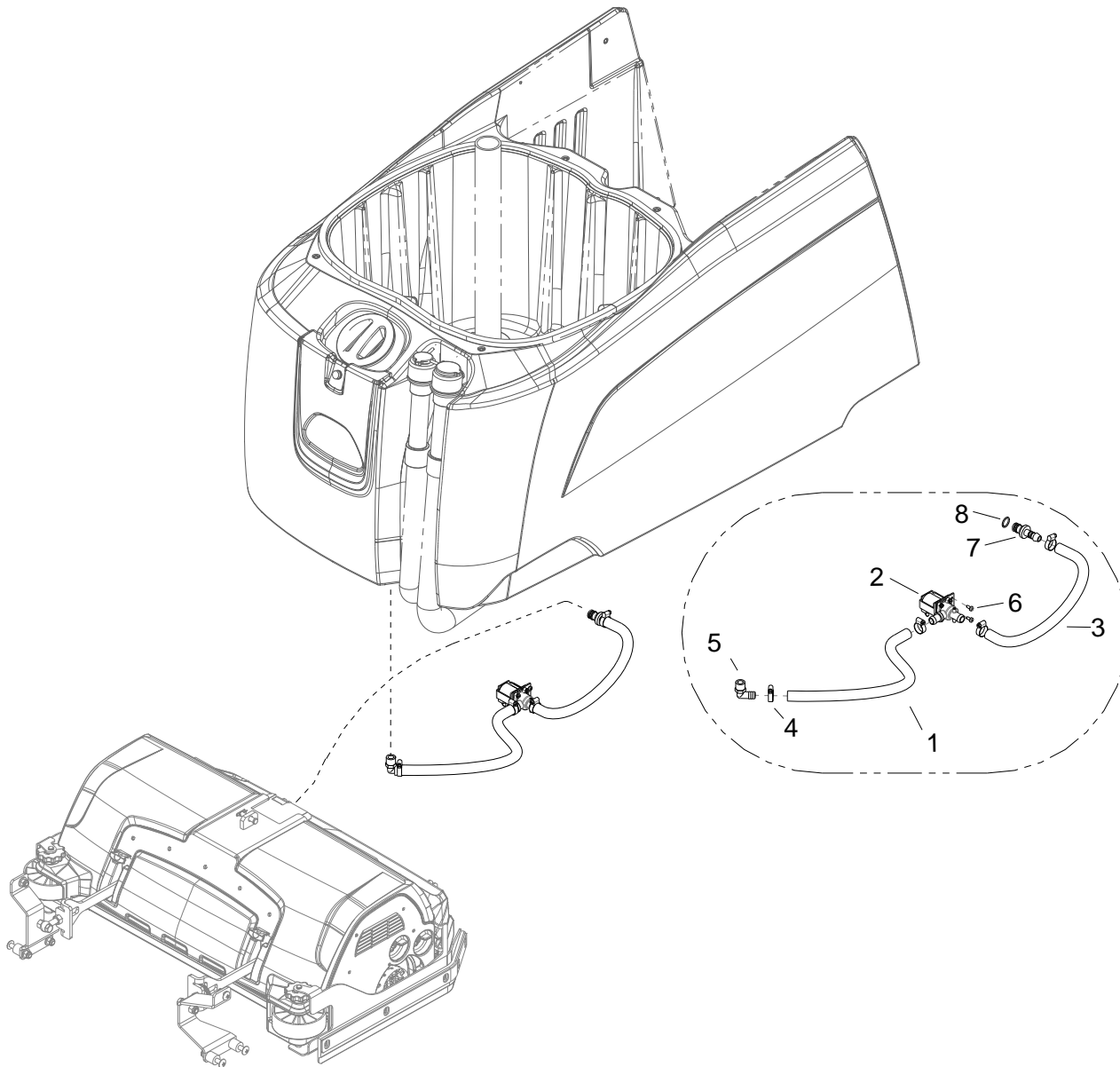
Scrub Brush/Pads Driver - Cylindrical



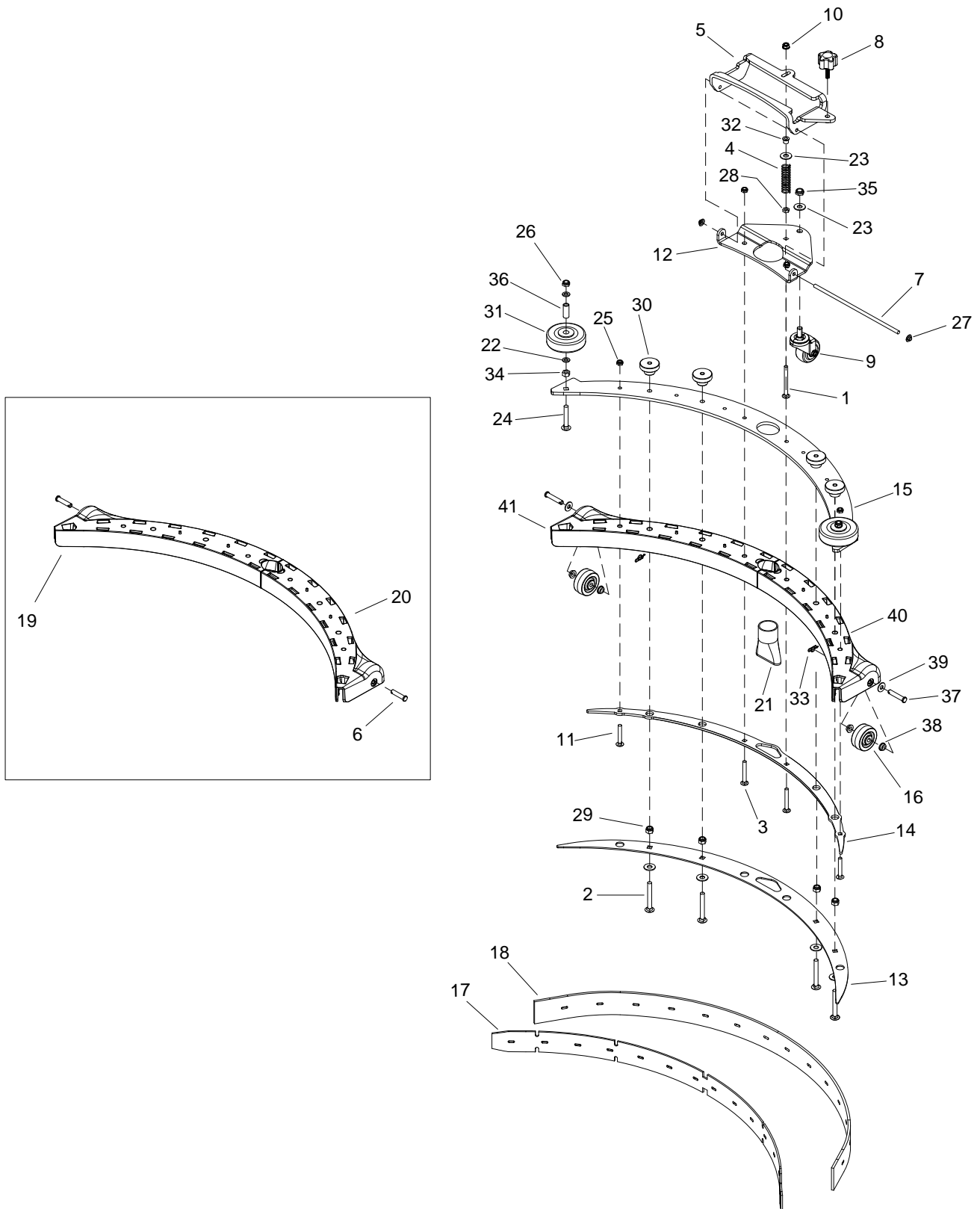
<b>REF</b>	<b>PART NO.</b>	<b>QTY</b>	<b>DESCRIPTION</b>	<b>SERIAL NO. FROM</b>	<b>NOTES:</b>
1A	69069350	-	ROLLER BRUSH RED-BR 65		
1B	69069810	-	ROLLER BRUSH WHITE-BR 65		
1C	69069820	-	ROLLER BRUSH ORANGE-BR 65		
1D	69069830	-	ROLLER BRUSH GREEN-BR 65		
1E	69069840	-	ROLLER BRUSH BLACK-BR 65		



REF	PART NO.	QTY	DESCRIPTION	SERIAL NO. FROM	NOTES
1	86280910	1	HOSE, 1/2ID WIREBOUND X 23"		
2	86366100	1	VALVE, 36V SOL, 1/2 BARB		
3	86363970	1	HOSE, 1/2ID WIREBOUND X 8.25"		
4	86362980	1	ELBOW, 1/4FPT X 1/2BARB 90 DEG NYL		
5	86362970	1	TEE, 1/4 MPT X 3/8 BARBS, NYL		
6	86264940	1	CABLE TIE 11.38" UL/CSA		
7	86281330	2	HOSE, 3/8ID WIREBOUND X 4"		
8	86271830	2	NUT, 3/8 NPT PLASTIC		
9	86264940	1	CABLE TIE, 11.38" UL/CSA		
10	86233150	2	CLAMP, 3/8 WORM GEAR		
11	86197940	1	HOSEBARB, 3/8 MPT X 1/2 HOSE 90		
12	86006520	2	SCR, 8-32 X 3/8 PPHMS SS		
13	86001550	2	HOSEBARB, 3/8MPT X 3/8HOSE 90		



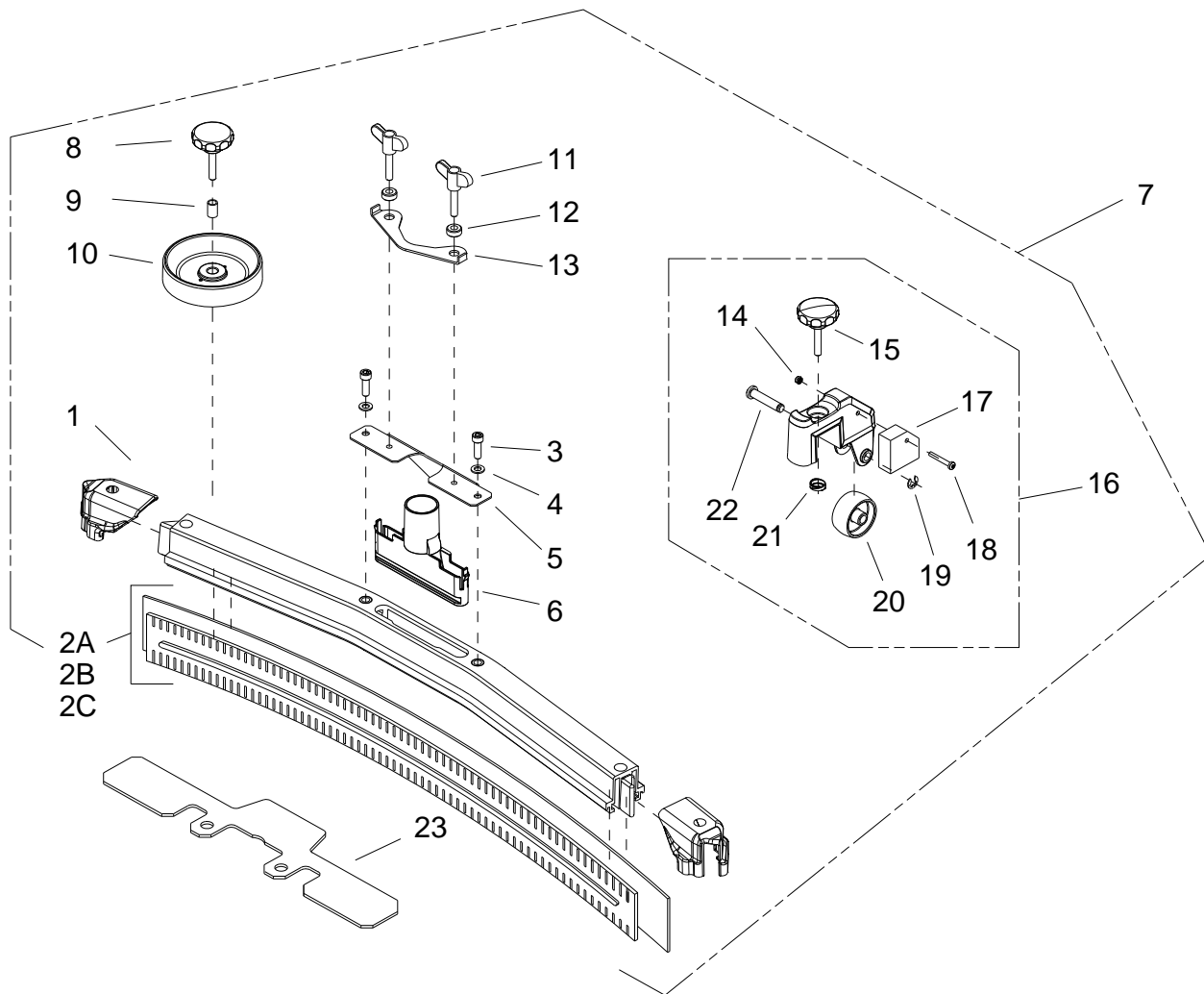
REF	PART NO.	QTY	DESCRIPTION	SERIAL NO. FROM	NOTES
1	86368310	1	HOSE, 1/2ID WIREBOUND X 17.25"		
2	86366100	1	VALVE, 36V SOL, 1/2 BARB		
3	86302770	1	HOSE, 1/2ID WIREBOUND X 14"		
4	86233150	4	CLAMP, 3/8 MPT X 1/2 HOSE 90		
5	86197940	1	HOSEBARB, 3/8 MPT X 1/2 HOSE 90		
6	86006520	2	SCR, 8-32 X 3/8 PPHMS SS		
7	54433750	1	HOSE STEM		
8	63621700	1	O-RING SEAL 11,3 X 2,4-NBR 70		



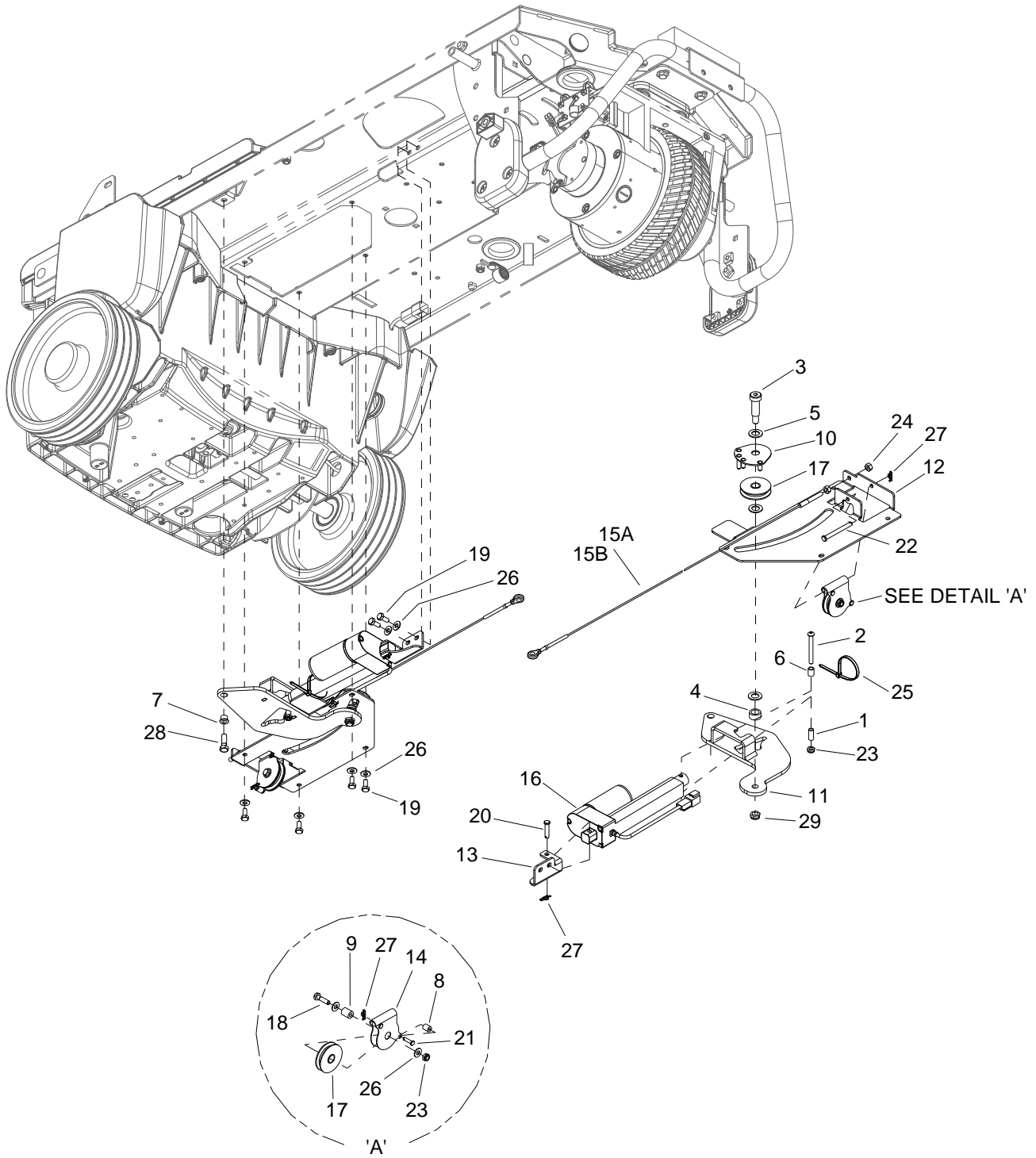
REF	PART NO.	QTY	DESCRIPTION	SERIAL NO. FROM	NOTES
1	86367800	1	SCR, 1/4-20 X 3.00 CARRIAGE SS		
2	86364090	4	SCR, 5/16-18 X 2.50 CARRIAGE, SS		
3	86364080	2	SCR, 1/4-20 X 2.00 CARRIAGE, SS		
4	86363100	1	SPRING, 2.5" X .66 OD COMP		
5	86363070	1	PLATE, SLIDE, SQUEEGEE BASE		
6	86006200	2	PIN, CLEVIS, 5/16 X 1.5 STL ZNPLT		
7	86362420	1	ROD, 1/4" OD 9.13 LG, SS		
8	86362400	1	HANDLE, 1/4-20 X 1" LG STUD		
9	86362390	1	CASTER, SWIVEL, 2" WHEEL		
10	86360310	1	NUT, 1/4-20 FLG SS NYL		
11	86359830	2	SCR, 1/4-20 X 1.75 CARRIAGE SS		
12	86359630	1	PLATE, BASE, SQUEEGEE		
13	86359620	1	PLATE, SQUEEGEE, BOTTOM HDLR		
14	86359610	1	PLATE, SQUEEGEE, BOTTOM		
15	86359600	1	PLATE, SQUEEGEE, TOP		
16	86359590	2	WHEEL, 2.0ODX.31IDX.875 GRY		
17	86359580	1	BLADE, SQUEEGEE, FRONT		
-	86391560	1	BLADE, SQG, FRONT, 36 X URE		OPTIONAL PART
18	86359570	1	BLADE, SQUEEGEE, REAR		
-	86391570	1	BLADE, SQG, REAR, 40 X URE		OPTIONAL PART
19	86412100	1	KIT, SQUEEGEE FRAME, RH		
20	86412090	1	KIT, SQUEEGEE FRAME, LH		
21	86358590	1	TUBE, PASS THROUGH, SQUEEGEE		
22	86292500	4	WASHER, .324ID X .567OD X .057, SS		
23	86278910	6	WASHER, 3/8 X 7/8 FLAT SS		
24	86276710	2	SCR, 5/16-18 X 2.0 CARRIAGE		
25	86271870	4	NUT, 1/4-20 HEX NYLOCK THIN SS		
26	86271840	2	NUT, 5/16-18 HEX NYLOCK THN SS		
27	86271240	2	NUT, CAP, PUSH, .25"		
28	86270930	1	NUT, 1/4-20 HEX JAM SS		
29	86270830	4	NUT, 5/16-18 HEX NYLOCK SS		
30	86219690	4	KNOB, 1.5 OD X 5/16-18		
31	86011020	2	WHEEL, 3" DIA. CUSHION RUBBER		
32	86226370	1	BUSH, BRZ FLG .25 X .38 X .38		
33	86008660	2	COTTER, 5/16 RING		
34	86005650	2	NUT, 5/16-18 HEX		
35	86005630	1	NUT, 3/8-16 HEX NYLOCK THIN S		
36	86001350	2	BUSHING, SPANNER .435 X 1.10		
37	86006270	2	PIN, CLEVIS 5/16 X 1.625 STL ZNPLT	(3*)	
38	86409660	4	BUSHING, .316 X .502 X .210 FLG NYL	(3*)	
39	86010670	2	WASHER, 5/16 FLT SS	(3*)	
40	86412070	1	SQUEEGEE FRAME, LH	(3*)	
41	86412080	1	SQUEEGEE FRAME, RH	(3*)	
-	86372200	-	SQUEEGEE ASM, CS26		COMPLETE

\* SEE SERIAL NUMBER PAGE

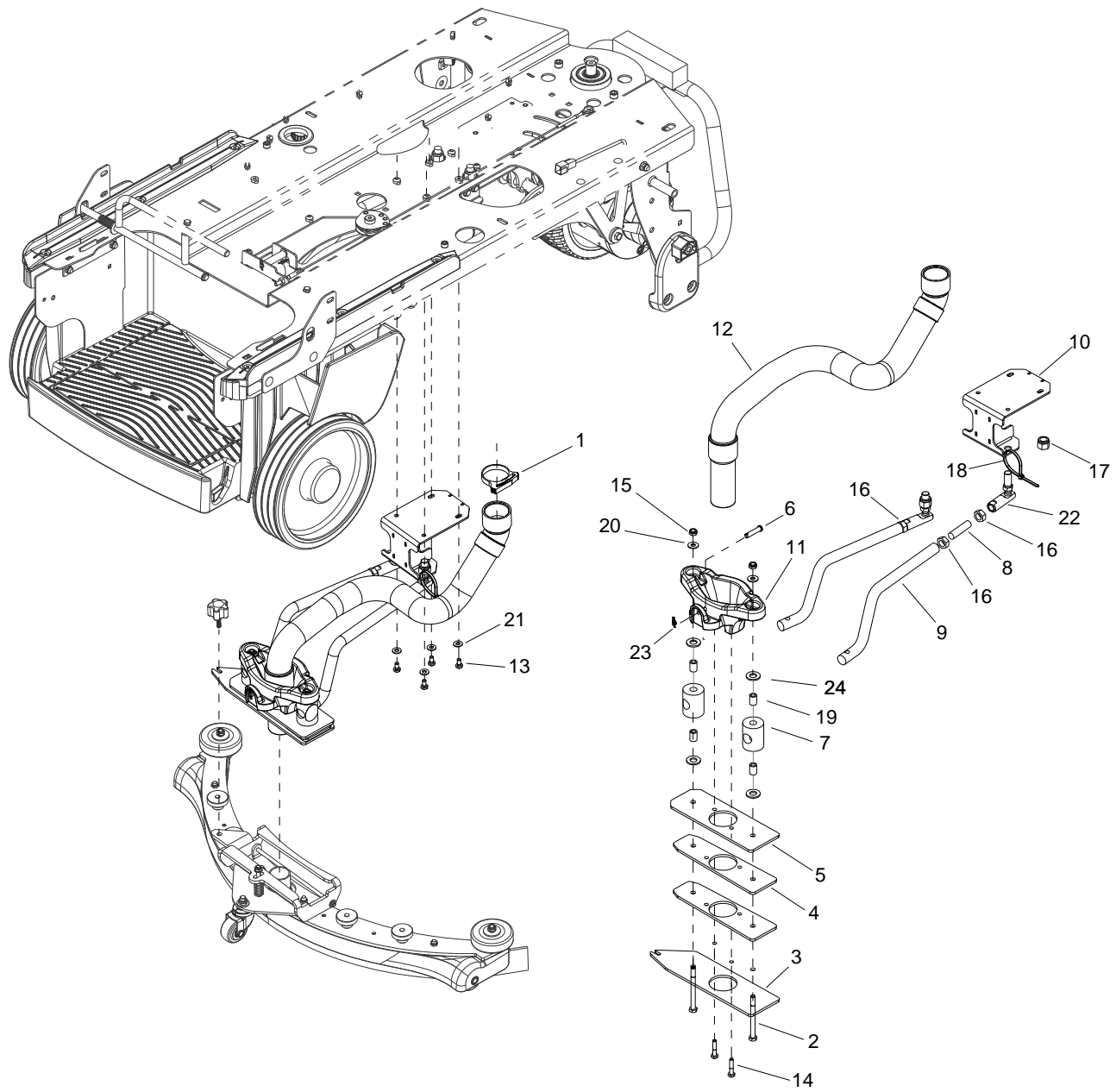
# Squeegee - Cylindrical



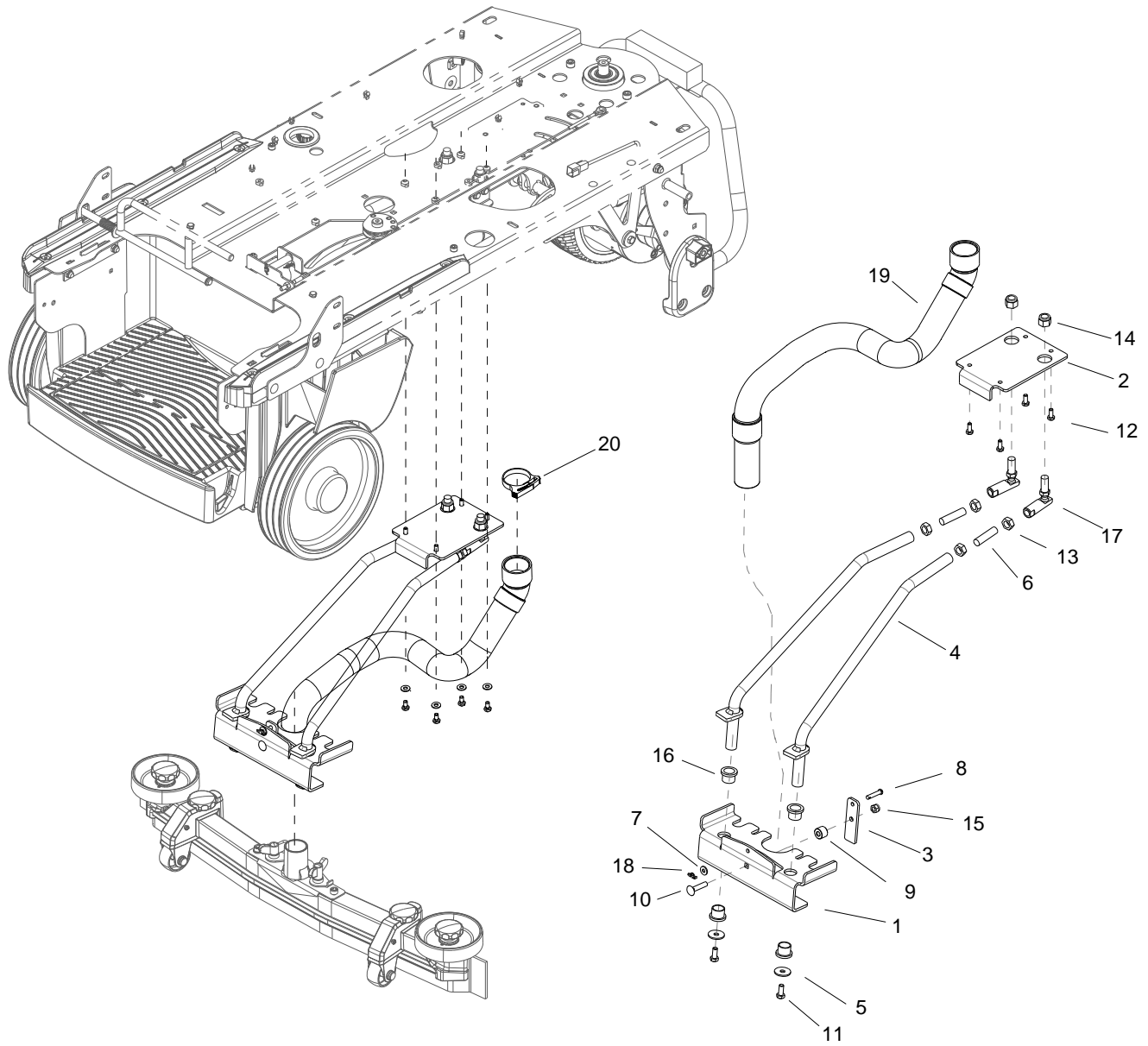
REF	PART NO.	QTY	DESCRIPTION	SERIAL NO. FROM	NOTES
1	28852940	1	END PIECE LEFT / RIGHT SPARE PARTS SET		
2A	62732070	1	RUBBER LIP SET OIL RESISTANT BR-BD530,55		
2B	62732900	1	RUBBER LIP SET STANDARD		
2C	62732290	1	RUBBER LIP SET ANTI STRIPE OIL RESISTANT		
3	73061420	2	CYLINDER HEAD SCREW M 8X25-A4-70 ISO 47		
4	73120170	2	WASHER 8-A2 ISO 7089		
5	51005590	1	SUCTION BAR SUPPORT PLATE		
6	50336010	1	SUCTION NIPPLE		
7	47774110	1	SUCTION BAR CURVED 850MM		COMPLETE
8	63212390	2	STAR GRIP VA Ø50X43		
9	50942310	2	SLEEVE SUCTION BAR IN VA		
10	55153460	2	DEFLECTOR ROLL SUCTION BAR D120		
11	53052960	2	WING SCREW M8X40 VA		
12	51128100	2	SLEEVE VA		
13	50072170	1	PLATE		
14	73114310	2	HEXAGON NUT M 5-1.4305 ISO 10511		
15	63212400	2	STAR GRIP WITH INSCRIPTION VA Ø50x43		
16	40353390	2	ROLLER SUCTION BAR		
17	51005600	2	ADDITIONAL WEIGHT SUCTION BAR 300 G		
18	73061850	2	SCREW M5x 35-A2-70 (IN6RD)		
19	73433030	2	LOCKING RING 8-A2 DIN 6799		
20	64354010	2	WHEEL D54		
21	53325040	2	PRESSURE SPRING		
22	53040980	2	BOLT		
23	51283390	1	ADDITIONAL WEIGHT SUCTION BAR		



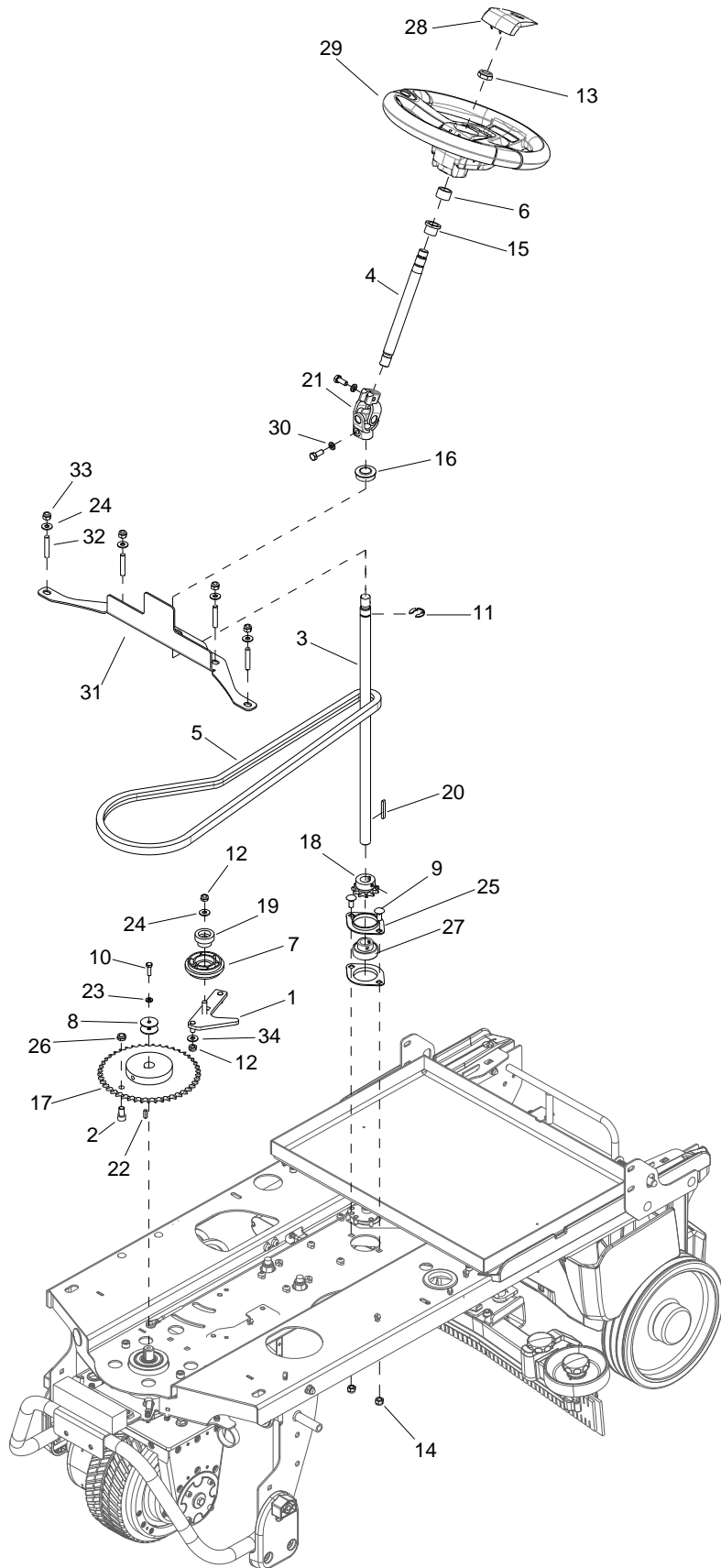
REF	PART NO.	QTY	DESCRIPTION	SERIAL NO. FROM	NOTES
1	86364040	1	BUSH, PLN, .251 X .313 X .75L		
2	86364030	1	SCR, 1/4-20 X 2-1/4, GR-8, ZN		
3	86364020	1	SCR, 1/2 X 1-1/4 SSHLD, SS		
4	86362820	1	BUSH, PLN, .510 X .750 X .375L		
5	86362310	3	WASHER, .51 X .89 X .06, UHMW		
6	86362300	1	BUSH, PLN, .251 X .375 X .50L		
7	86362290	1	BUSH, FL, .313 X .438 X .375L		
8	86362270	2	SPACER, .196X.375X.438L NYL		
9	86362260	1	BUSH, PL, .250 X .500 X .625L		
10	86362250	1	PLATE, PULLEY, LIFT, UPPER		
11	86362240	1	ASM, ARM, LIFT		
12	86362230	1	PLATE, ACTUATOR MOUNT		
13	86362220	1	BRKT, ACTUATOR, MOUNT		
14	86362210	1	U-BRACKET, PULLEY		
15A	86354470	1	CABLE, .09 X 26.63, 0707, SS		DISK
15B	86370440	1	CABLE, .09 X 30.00, 0707, SS		CYLINDRICAL
16	86320880	1	ACTUATOR, 36VDC, 3.0" STK, 8.74 LNG		
17	86317330	2	PULLEY, 2 IN.		
18	86273810	1	SCR, 1/4-20 X 1.00 HHCS SS		
19	86273750	6	SCR, 1/4-20 X 5/8 HHCS SS		
20	86272620	1	PIN, CLEVIS 1/4 X 1.13 PLTD		
21	86272470	2	PIN, CLEVIS 3/16 X .75 PLTD		
22	86272330	1	PIN, CLEVIS 1/4 X 2.44 PLTD		
23	86271870	2	NUT, 1/4-20 HEX NYLOCK THIN SS		
24	86270870	2	NUT, 1/4-28 HEX SS		
25	86264920	1	CABLE TIE, 7" UL/CSA		
26	86010630	9	WASHER, 1/4 X 5/8 FLAT SS		
27	86008650	4	COTTER, 1/4 RING		
28	86006560	1	SCR, 5/16-18 X 1.00 HHCS SS		
29	86005630	1	NUT, 3/8-16 HEX NYLOCK THIN SS		



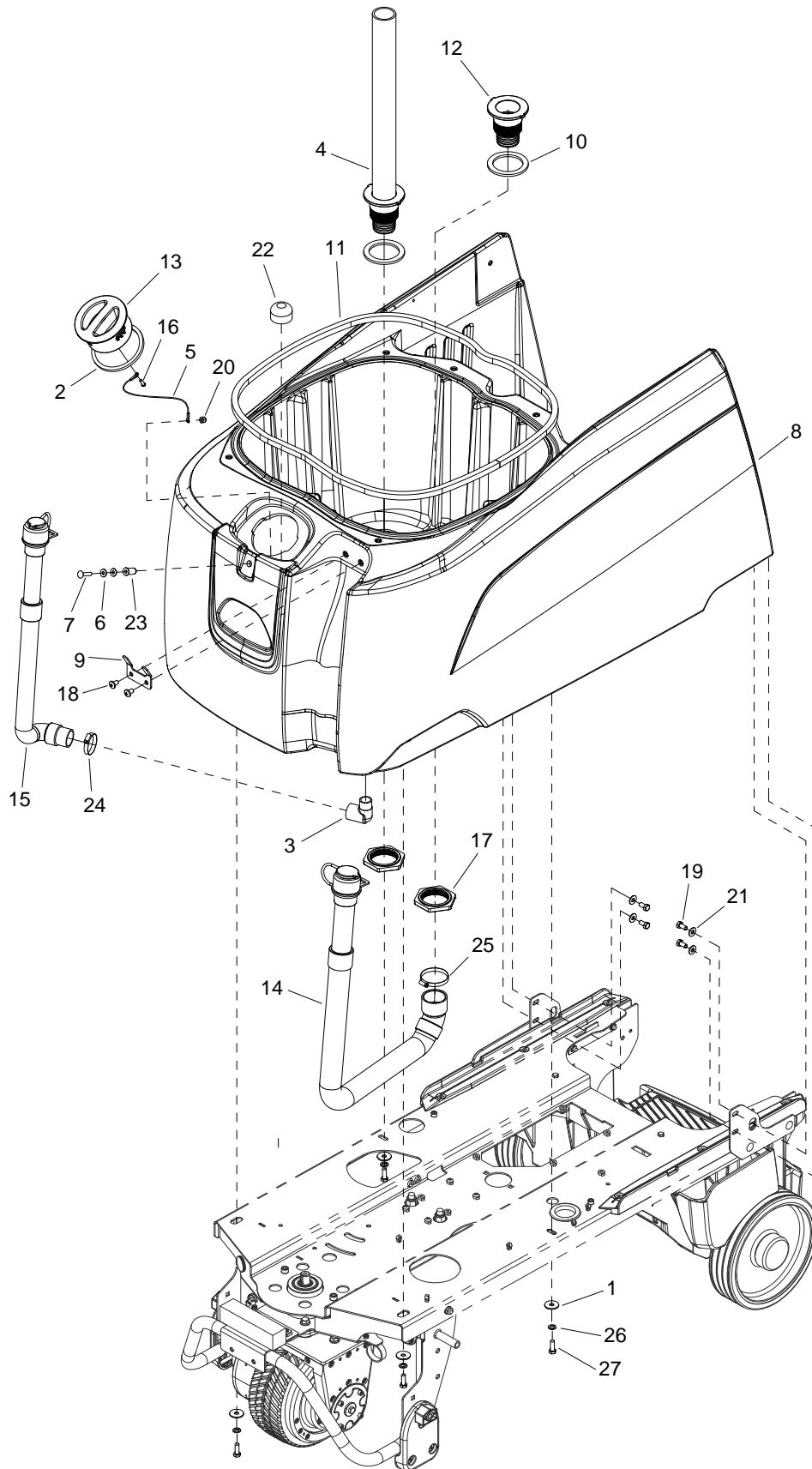
REF	PART NO.	QTY	DESCRIPTION	SERIAL NO. FROM	NOTES
1	86365530	1	CLAMP, RATCHET, 2.13D		
2	86364110	2	SCR, 5/16-18 X 3.50 HHCS, SS		
3	86363080	1	PLATE, SLIDE, SQUEEGEE		
4	86363060	2	PLATE, SLIDE, MID		
5	86363050	1	PLATE, SLIDE, SQUEEGEE		
6	86362690	1	PIN, CLEVIS, 1/4 X 1.375 PLTD		
7	86362370	2	ROD, SQUEEGEE, DIA 1.50"		
8	86362360	2	ROD, THREADED, 1/2-20, RH, ZINC		
9	86362350	2	ROD, SQUEEGEE PIVOT		
10	86361730	1	BRKT, ASM, ACTUATOR		
11	86358220	1	BASE, LIFT, SQUEEGEE		
12	86354300	1	SUCTION HOSE, 1.50"		
13	86273830	4	SCR, 1/4-20 X 1/2 HHCS SS		
14	86273820	2	SCR, 1/4-20 X 1.25 HHCS SS		
15	86271840	2	NUT, 5/16-18 HEX NYLOCK THN SS		
16	86271560	4	NUT, 1/2-20 HEX R.H. JAM		
17	86271430	2	NUT, 1/2-20 HEX NYLOCK		
18	86264940	1	CABLE TIE, 11.38" UL/CSA		
19	86368800	4	BUSHING, .313X.503X.703, PLAIN, BRZ		
20	86010670	2	WASHER, 5/16 X 3/4 SS		
21	86010630	4	WASHER, 1/4 X 5/8 FLAT SS		
22	86009080	2	BALL JOINT ASM, 1/2-20		
23	86008650	1	COTTER, 1/4 RING		
24	86259420	4	WASHER, THRUST, .51ID X 1 ODBRO		



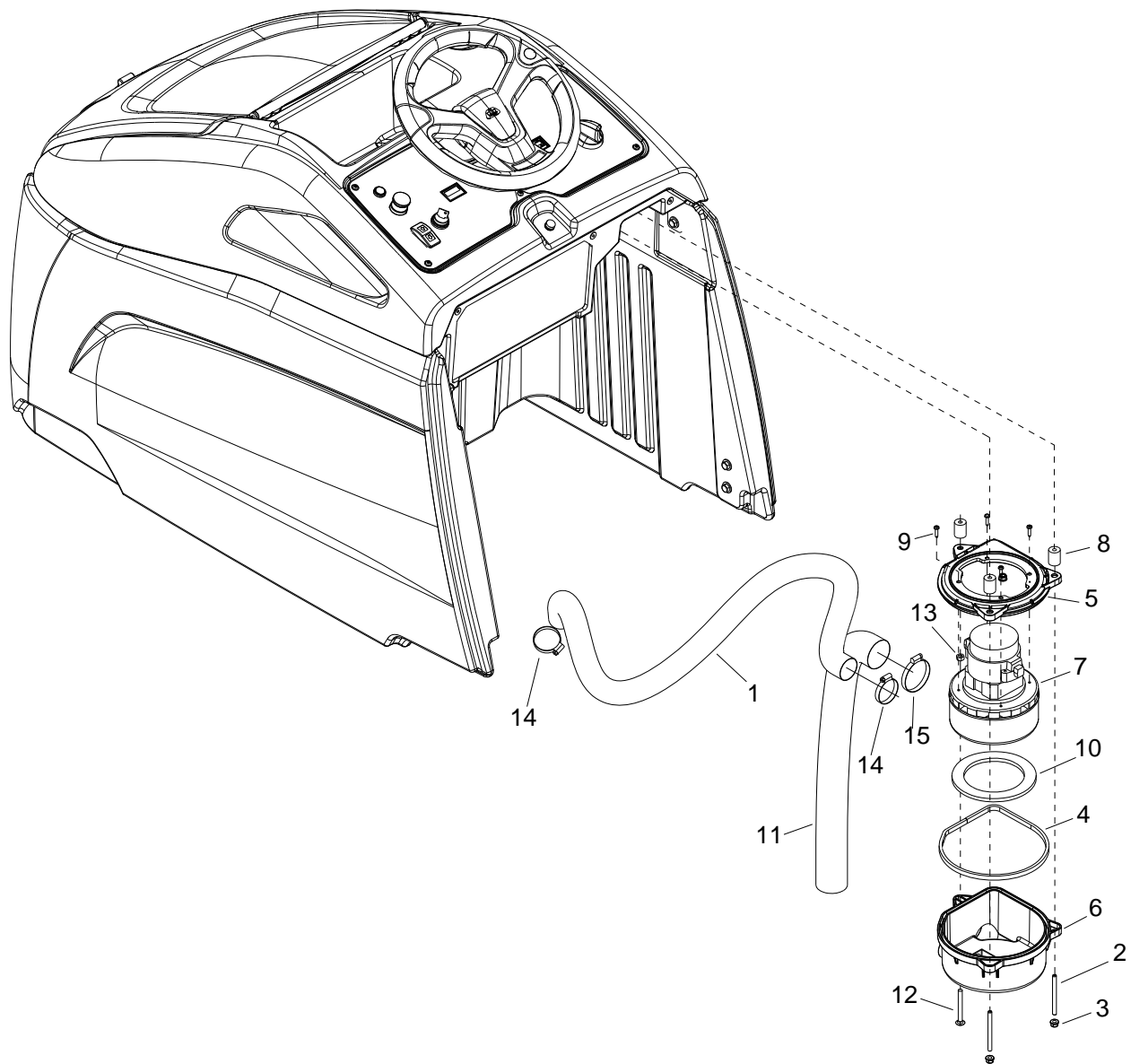
REF	PART NO.	QTY	DESCRIPTION	SERIAL NO. FROM	NOTES
1	86370640	1	BRKT, SQUEEGEE MOUNT		
2	86370630	1	PLATE, SQUEEGEE PIVOT		
3	86370620	1	PLATE, CABLE PIN		
4	86370610	2	ARM, SQUEEGEE PIVOT		
5	86367250	2	WASHER, .344 X 1.13 X .09 SS		
6	86362360	2	ALL THREAD, 1/2-20 STL ZNPLT		
7	86361770	1	WASHER, 1/4 SAE FLAT SS		
8	86272620	1	PIN, CLEVIS 1/4 X 1.125 STL ZNPLT		
9	86320680	1	SPACER, .311D X .75 OD X .56LG		
10	86277470	1	SCR, 5/16-18 X 1.5 CARRIAGE SS		
11	86276780	2	SCREW, 5/16-18 X .75 HHCS SS		
12	86273750	4	SCREW, 1/4-20 X .625 HHCS SS NP		
13	86271560	4	NUT, 1/2-20 HEX R.H. JAM		
14	86271430	2	NUT, 1/2-20 HEX NYLOCK		
15	86270830	1	NUT, 5/16-18 HEX NYLOCK SS		
16	86228790	4	BEARING, FLG, .88 OD X .75 ID X .75		
17	86009080	2	JOINT, BALL		
18	86008650	1	PIN, COTTER RING 1/4 X .041 X .844		
19	86354300	1	SUCTION HOSE 1.50"		
20	86365530	1	CLAMP, RATCHET, 2.13 D		



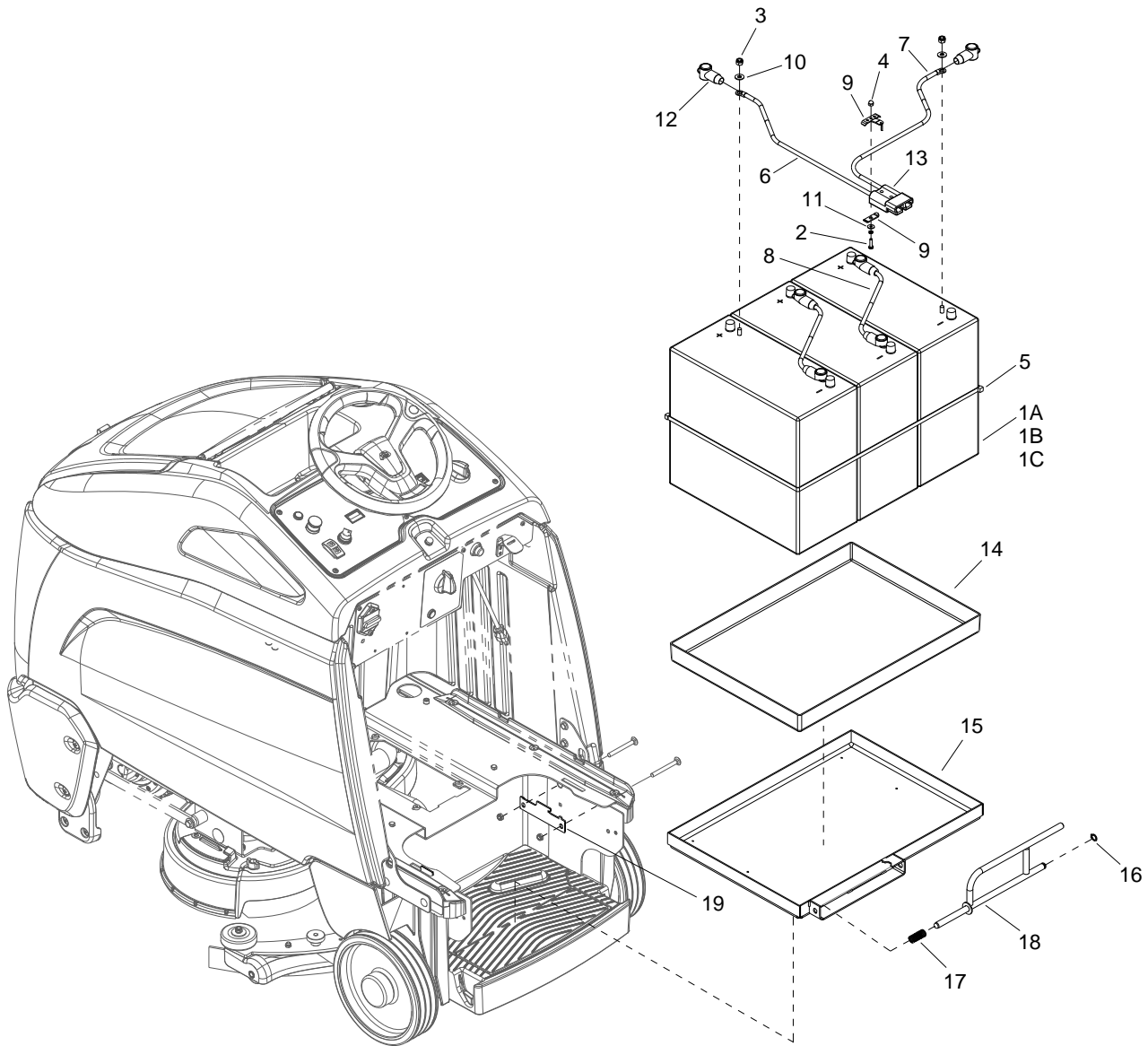
REF	PART NO.	QTY	DESCRIPTION	SERIAL NO. FROM	NOTES
1	86361370	1	ASM, TENSIONER PLATE		
2	86361210	1	SCR, 3/8-16 X 0.625 SHCS		
3	86358400	1	SHAFT, LOWER STEERING 21		
4	86358390	1	SHAFT, UPPER STEERING 9.0		
5	86358380	1	CHAIN , 12.7MM PITCH, 118 ROLLER		
6	86333950	1	BEARING, .75ID X 1.0OD X .63		
7	86330720	1	CHAIN TENSIONER		
8	86278940	2	WASHER, 1/4 X 1-1/4 FLAT		
9	86277410	2	SCR, 5/16-18 X .625 CARR SS		
10	86274330	1	SCR, M6 X 20 HHMS PLTD		
11	86272900	1	RING, 3/4 KLIP		
12	86271840	3	NUT, 5/16-18 HEX NYLOCK THN SS		
13	86271610	1	NUT, 5/8-18 HEX NYLOCK THIN		
14	86271840	2	NUT, 5/16-18 HEX NYLOCK THIN SS		
15	86228790	1	BEARING, FLG,.88 OD X .75 ID X .75		
16	86228670	1	BEARING-BALL FLANGED SEALED ONE		
17	86224810	1	SPROCKET, DRIVE WHEEL STEERING		
18	86224800	1	SPROCKET, STEERING SHAFT		
19	86224270	1	SLEEVE, CHAIN TENSIONER		
20	86219650	1	KEY, 5MM SQ X 39MM L		
21	86219600	1	JOINT, UNIVERSAL FEMALE		
22	86135970	1	KEY, 3/16 SQ X 11/16 LG CRS		
23	86010780	1	WASHER, 1/4 SPLIT		
24	86010670	5	WASHER, 5/16 X 3/4 SS		
25	86008610	2	FLANGE, BEARING PRESSED STEEL		
26	86005630	1	NUT, 3/8-16 HEX NYLOCK THIN SS		
27	86001030	1	BEARING, BALL 3/4 BORE SPHERED		
28	66403530	1	COVER, STEERING KARCHER		
29	64357990	1	WHEEL, STEERING AKW		
30	86279130	2	WASHER 5/16 SPLIT LOCK PLTD		
31	86361110	1	BRKT, STEERING		
32	86278080	4	SCREW, 5/16-18 X 1.75 SCHSET CP SS		
33	86270830	4	NUT, 5/16-18 HEX NYLOCK SS		
34	86367250	1	WASHER, .344ID X 1.13OD X .09T SS		



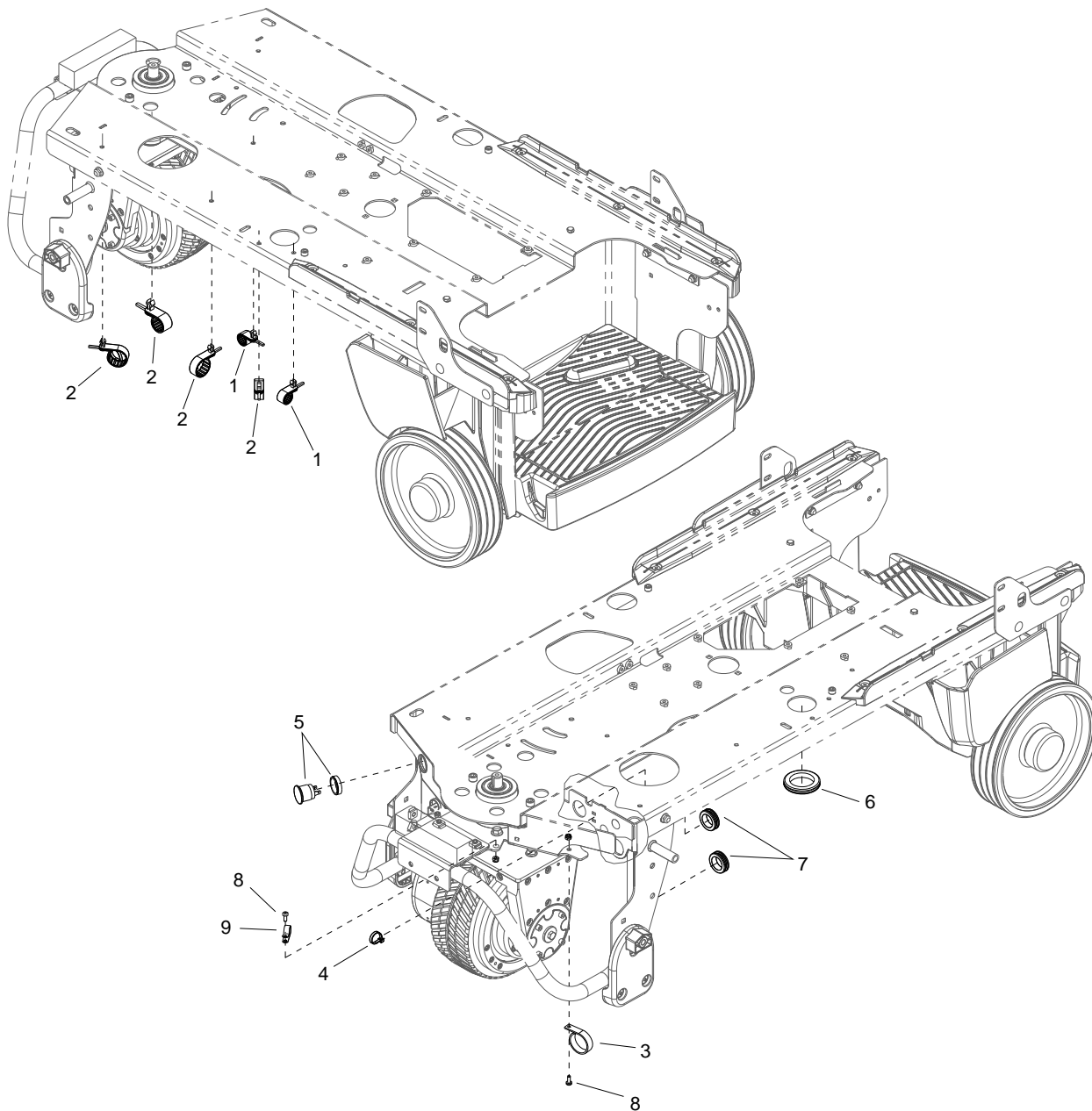
REF	PART NO.	QTY	DESCRIPTION	SERIAL NO. FROM	NOTES
1	86367250	4	WASHER, .344IDX1.130ODX.09T SS		
2	86366450	1	GASKET, SOLUTION FILL		
3	86362380	1	ELBOW, PVC, 3/4M X SOC SCH 40		
4	86361920	1	TUBE ASM, RECOVERY INLET		
5	86361780	1	LANYARD, 12" SS		
6	86361770	2	WASHER, 1/4 SAE FLAT SS		
7	86361760	1	SCR, 1/4-20 X 1.25 CARRIAGE SS		
8	86399770	1	TANK, GRAY, CS26		
9	86360650	1	BRKT, HOSE RETENTION		
10	86360640	2	GASKET, 3.30 X 2.45 X .188		
11	86360630	1	GASKET, MAIN TANK		
12	86359060	1	BULKHEAD FITTING		
13	86393800	1	CAP, FRESH WATER, YLW		
14	86354270	1	HOSE, RECOVERY DRAIN		
15	86353950	1	HOSE, SOLUTION DRAIN		
16	86327510	1	SCR, KA50X16, PT OHS, WN1412, A2 SS		
17	86314080	2	NUT, DRAIN FITTING		
18	86277480	2	SCR, 5/16-18X1/2 PTHMS SS		
19	86276490	4	SCR, 5/16-18 X 5/8 HHCS SS		
20	86271940	1	NUT, 1/4-20 ACORN SS		
21	86010670	4	WASHER, 5/16 X 3/4 SS		
22	86007970	1	STRAINER, 3/8 IN. NPT 60 MESH		
23	86005620	1	NUT, 1/4-20 X .962 WELL		
24	86002390	1	CLAMP, 1.75 WORM GEAR X .312		
25	86002380	1	CLAMP, 2.25 WORM GEAR		
26	86279130	4	WASHER, 5/16 SPLT STL ZNPLT		
27	86276780	4	SCREW, 5/16-18 X .75 HHCS SS		



REF	PART NO.	QTY	DESCRIPTION	SERIAL NO. FROM	NOTES
1	86360990	1	HOSE, 1.5 BLK VAC X 40"		
2	86360320	2	SCR, SET 1/4-20X3 HEX SKT CUP PT SS		
3	86360310	3	NUT, 1/4-20 FLG SS NYL		
4	86360270	1	GASKET, .188 X .31 X 22.8		
5	86359040	1	VAC HOUSING, UPPER		
6	86359030	1	VAC HOUSING, LOWER		
7	86358110	1	VAC MOTOR, 36VDC 2ST PD		
8	86327500	3	MOUNT, VIBRATION		
-	86326980	1	BRUSH SET 24/36V VAC WINDSOR		
9	86317630	4	SCR, #8 X 3/4" PPHSMS TYPE AB		
10	86312920	1	GASKET, VAC MOTOR		
11	86280990	1	HOSE, VAC EXHAUST X 24"		
12	86276350	1	SCR, 1/4-20 X 2.50 CARRIAGE		
13	86270770	1	NUT, 1/4-20 HEX		
14	86002390	2	CLAMP, 1.75 WORM GEAR X .312		
15	86002380	1	CLAMP, 2.25 WORM GEAR		

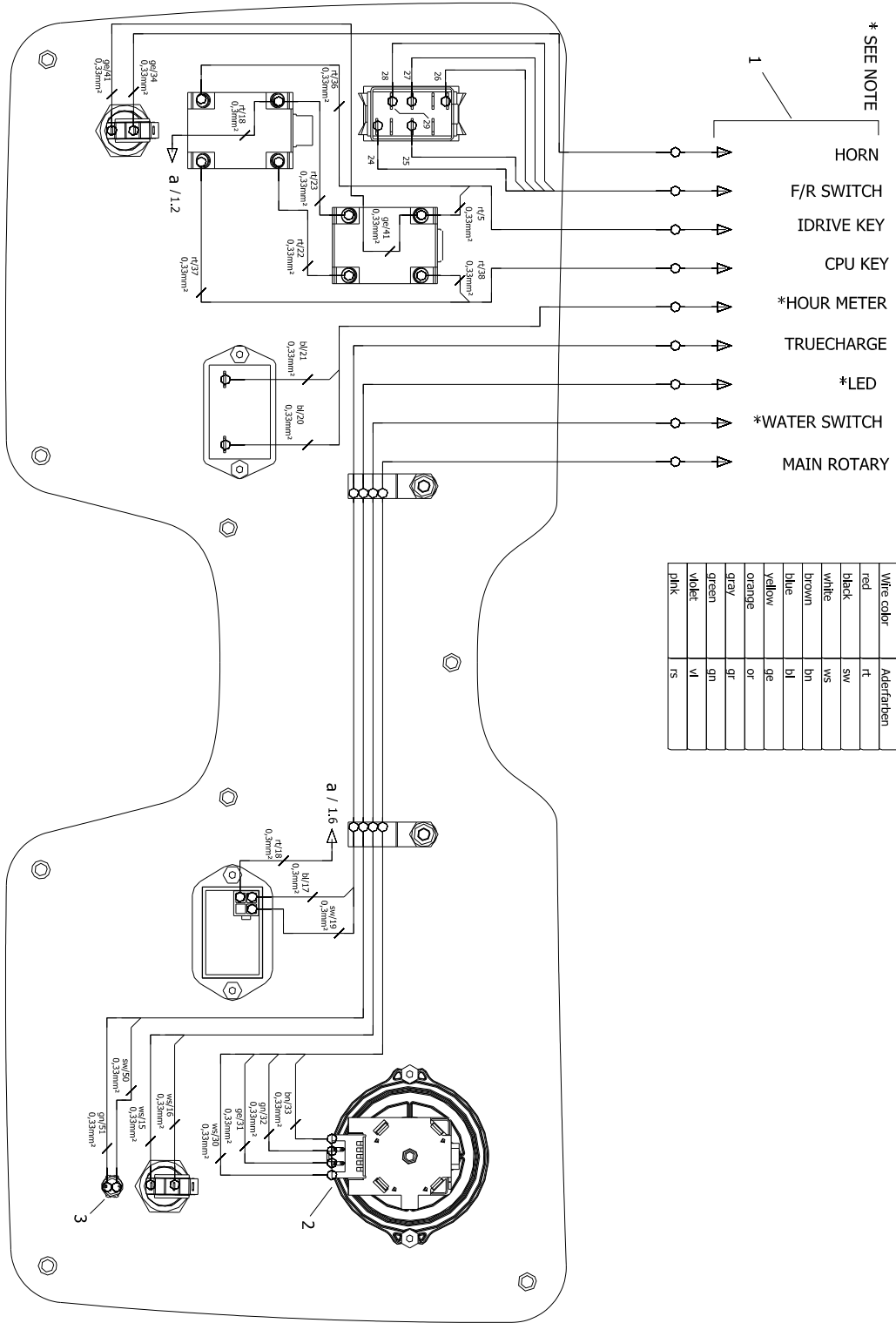


REF	PART NO.	QTY	DESCRIPTION	SERIAL NO. FROM	NOTES
1A	86283410	3	BATTERY, 12V, 225AH		
1B	86228430	3	BATTERY, 12V AGM 234AH		
2B	86228410	3	BATTERY, 12V, 205AH (J185P-AC)		
2	86273980	1	SCR, 10-32 X 3/4 PPHMS SS		
3	86271910	6	NUT, 5/16-18 FLEXLOCK		
4	86270890	1	NUT, 10-32 HEX ACORN		
5	86264960	2	CABLE TIE, .375 X 43		
6	86260610	1	WIRE, 4X25RD CTERM X 3/8RG		
7	86260230	1	WIRE, 4X30BLK CTERM X 3/8RG		
8	86260200	2	WIRE, 4X14.5BLK 3/8RG X 3/8RG		
9	86233360	1	CLAMP, CABLE KIT SY945		
10	86010670	6	WASHER, 5/16 X 3/4 SS		
11	86010650	1	WASHER, #10 X 9/16 FLAT		
12	86008920	6	INSULATOR-TERMINAL RUBBER BOOT-BLACK		
13	86008760	1	CONNECTOR 175 DCA GRY W/O TERMS		
14	86398140	1	TRAY, BATTERY CS26		
15	86359500	1	ASM, BATTERY TRAY		
16	86272810	1	RING 1/2 EXT.SNAP H-D		
17	86254990	1	SPRING,COMP, 63ODX3.5LX.047W		
18	86092910	1	LATCH ROD, BATTERY TRAY		
19	86360020	2	PLATE, BATTERY STOP		



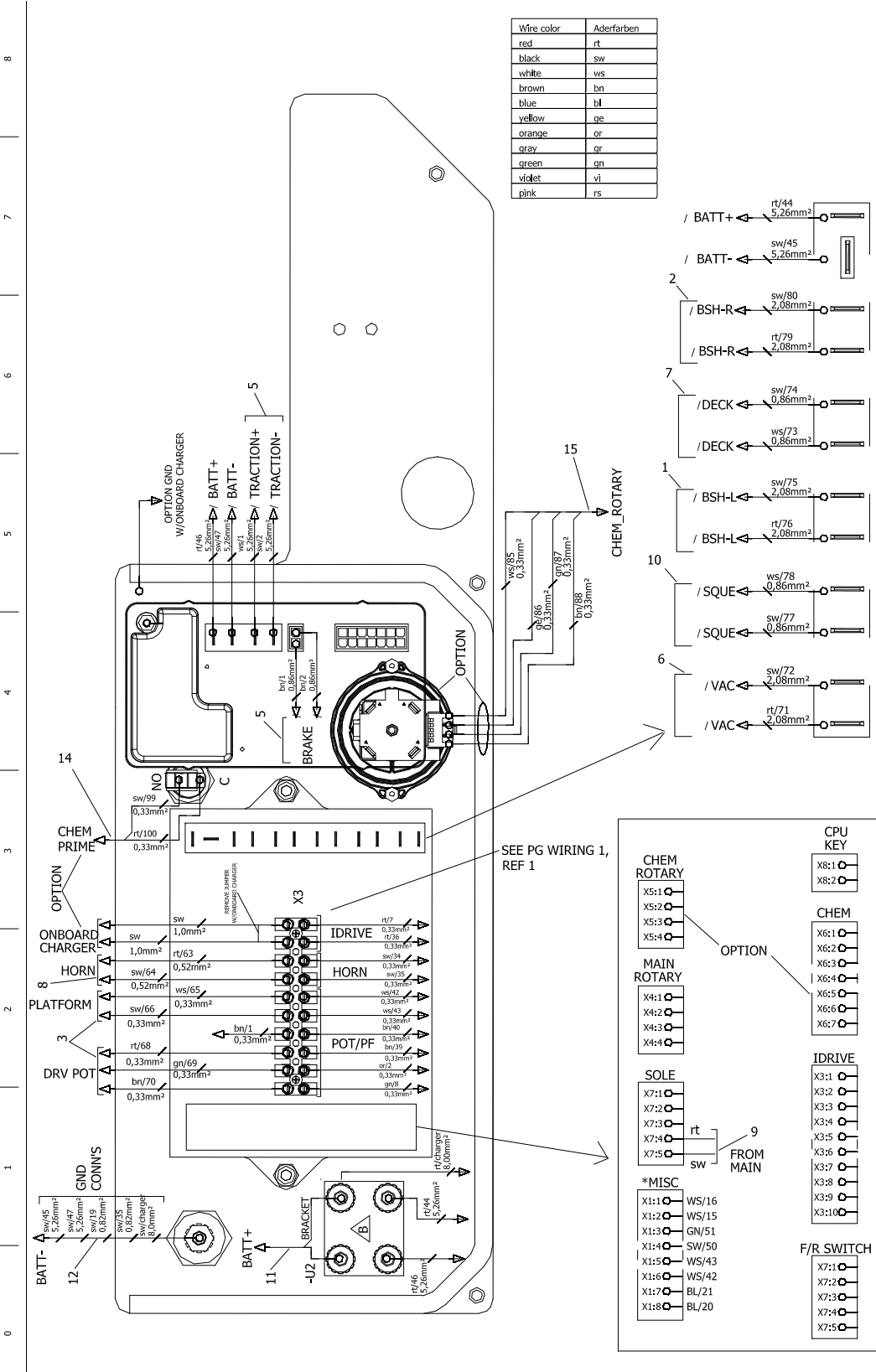
REF	PART NO.	QTY	DESCRIPTION	SERIAL NO. FROM	NOTES
1	86361230	2	CLAMP, PAN 3/4"		
2	86361220	4	CLAMP, PAN 1-1/4"		
3	86326270	1	CLAMP, 1.5 DIA		
4	86264940	1	CABLE TIE 11.38" UL/CSA		
5	86239720	1	HORN, 108DB MINATURE W/RING		
6	86238500	1	GROMMET,1.703IDX2.5.ODX.125GRV		
7	86238430	2	GROMMET 1.00 ID 3/16 GRIP		
8	86006980	2	SCREW, 10-32 X .5 HHCS SS		
9	86198460	1	CLAMP, 5/8 NYLON UL/CSA		

NOTE: \* CONNECTIONS MADE TO \*MISC CONNECTOR WIRING 2 PAGE

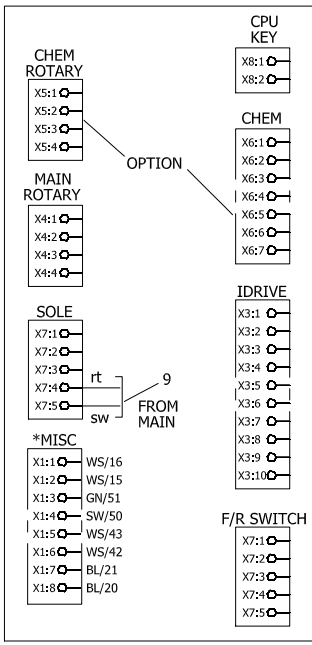
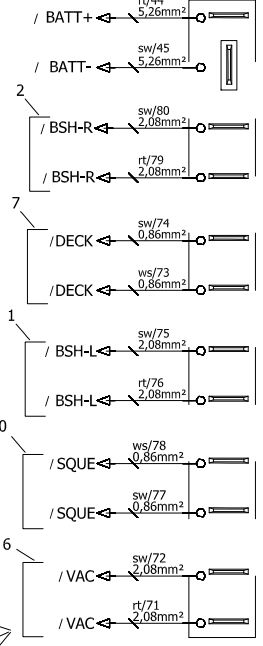


7  
6  
5  
4  
3  
2  
1  
0

REF	PART NO.	QTY	DESCRIPTION	SERIAL NO. FROM	NOTES
1	86356760	1	HARNESS, PANEL, CS26		
2	86366540	1	HARNESS, ROTARY, MAIN, CS26		
3	86367100	1	LED, WATER INDICATOR		



Wire color	Aderfarben
red	rt
black	sw
white	ws
brown	bn
blue	bl
yellow	ge
orange	or
gray	gr
green	gn
violet	vi
pink	rs

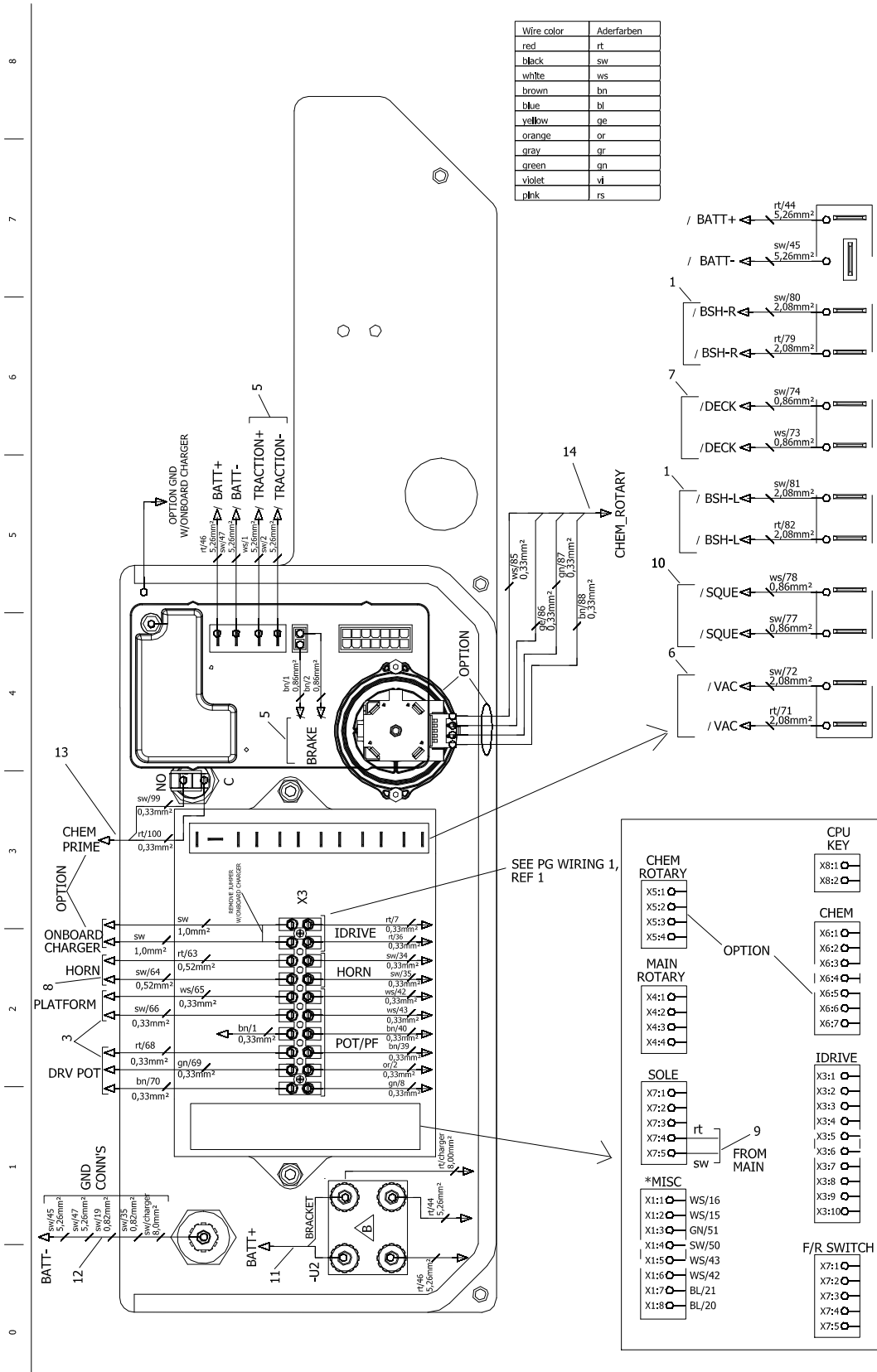


SEE PG WIRING 1, REF 1

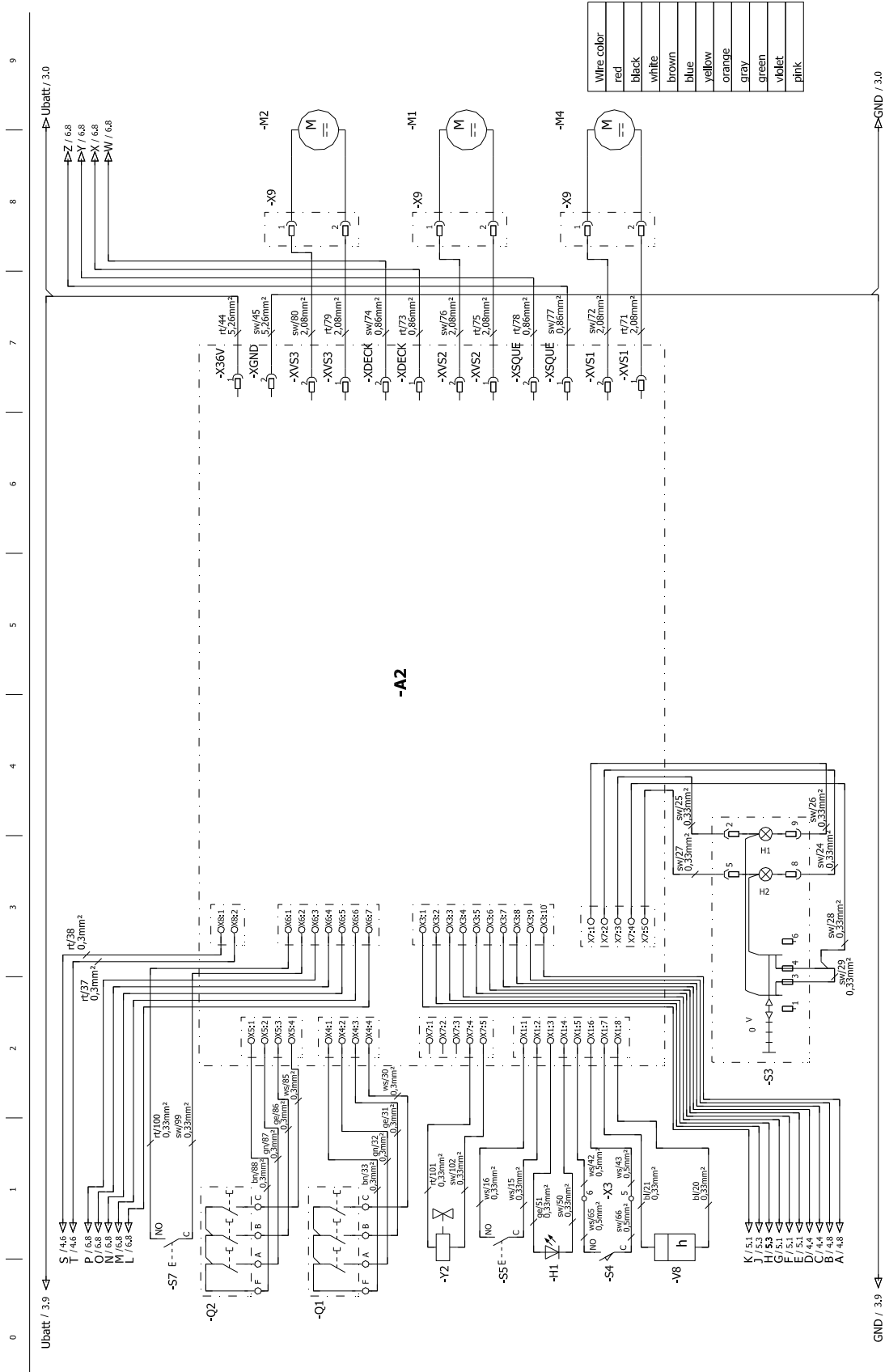
8  
7  
6  
5  
4  
3  
2  
1  
0

REF	PART NO.	QTY	DESCRIPTION	SERIAL NO. FROM	NOTES
1	86366570	1	HARNESS, BRSH MTR LT, CS26		
2	86366560	1	HARNESS, BRSH MTR RT, CS26		
3	86361910	1	HARNESS, PLATFORM PNL, CS26		
4	86366520	1	HARNESS, PLATFORM CS26		NOT SHOWN
5	86369820	1	HARNESS, DRIVE & BRAKE ASM		
6	86366610	1	HARNESS, VACUUM, CS26		
7	86366580	1	HARNESS, DECK ACT, CS26		
8	86366620	1	HARNESS, HORN, CS26		
9	86366600	1	HARNESS, SOLENOID, CS26		
10	86366590	1	HARNESS, SQG LIFT, CS26		
11	86010850	1	WIRE, 4X20 RD CTERM		
12	86010860	1	WIRE, 4X20 BK CTERM		
13	86008760	1	CONNECTOR, 175 DCA GRY		NOT SHOWN
14	86362730	1	HARNESS, CHEMICAL, CS26		
15	86366550	1	HARNESS, ROTARY, CHEM, CS26		
-	86366510	1	HARNESS, MAIN, CS26		COMPLETE-INCLUDES 1 -3 & 7-10

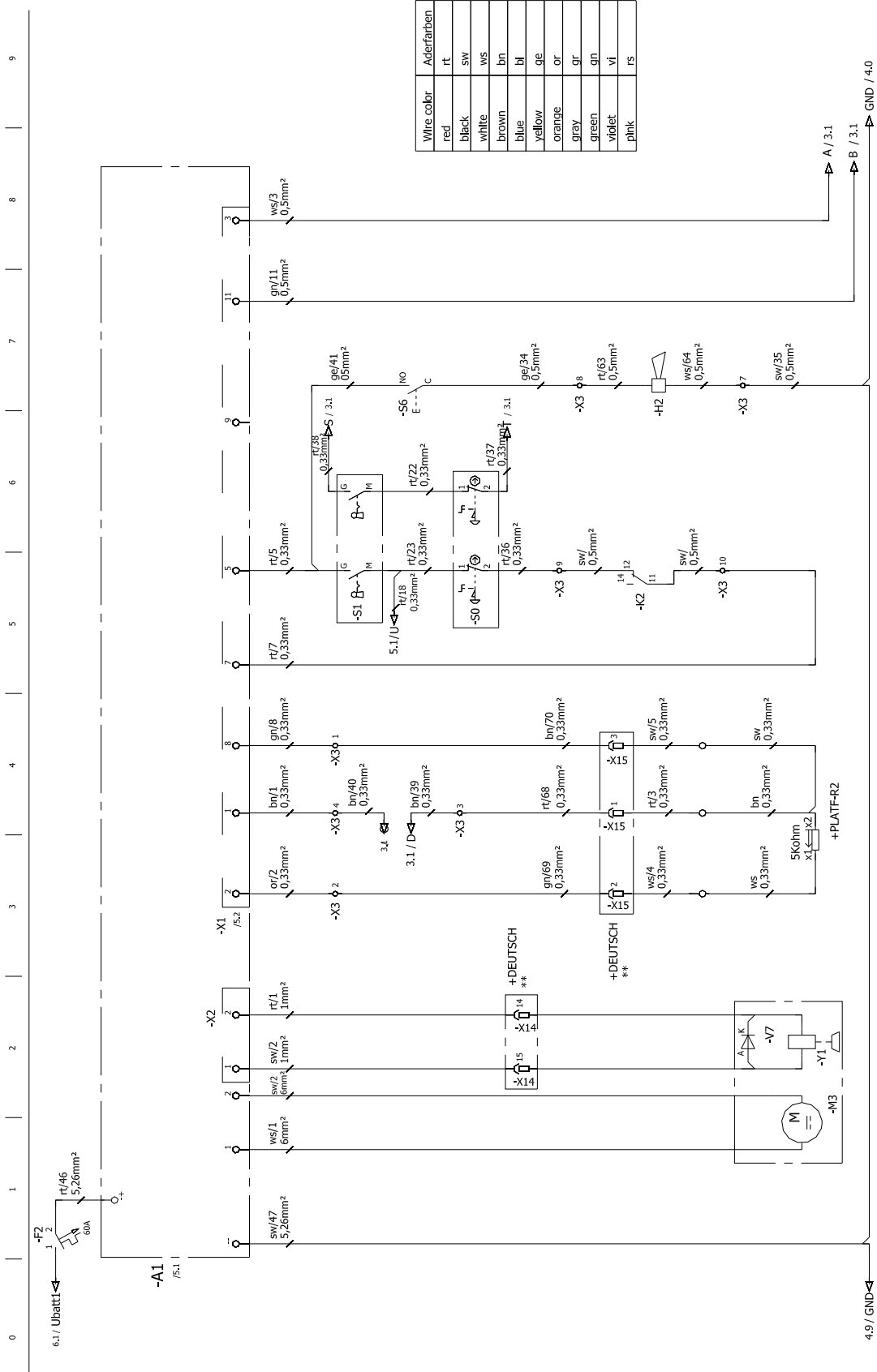
# Wiring 2 Cylindrical



REF	PART NO.	QTY	DESCRIPTION	SERIAL NO. FROM	NOTES
1	86370920	1	HARNESS, BRUSHES, CS26SP		
2	86008760	1	CONNECTOR, 175 DCA GRY		NOT SHOWN
3	86361910	1	HARNESS, PLATFORM PNL, CS26		
4	86366520	1	HARNESS, PLATFORM CS26		NOT SHOWN
5	86369820	1	HARNESS, DRIVE & BRAKE ASM		
6	86366610	1	HARNESS, VACUUM, CS26		
7	86370900	1	HARNESS, DECK ACT, CS26SP		
8	86366620	1	HARNESS, HORN, CS26		
9	86370880	1	HARNESS, SOLENOID, CS26SP		
10	86370890	1	HARNESS, SQG LIFT, CS26SP		
11	86010850	1	WIRE, 4X20 RD CTERM		
12	86010860	1	WIRE, 4X20 BK CTERM		
13	86362730	1	HARNESS, CHEMICAL, CS26		
14	86366550	1	HARNESS, ROTARY, CHEM, CS26		
-	86370870	1	HARNESS, MAIN, CS26SP		COMPLETE- INCLUDES 1, 3 & 7-10

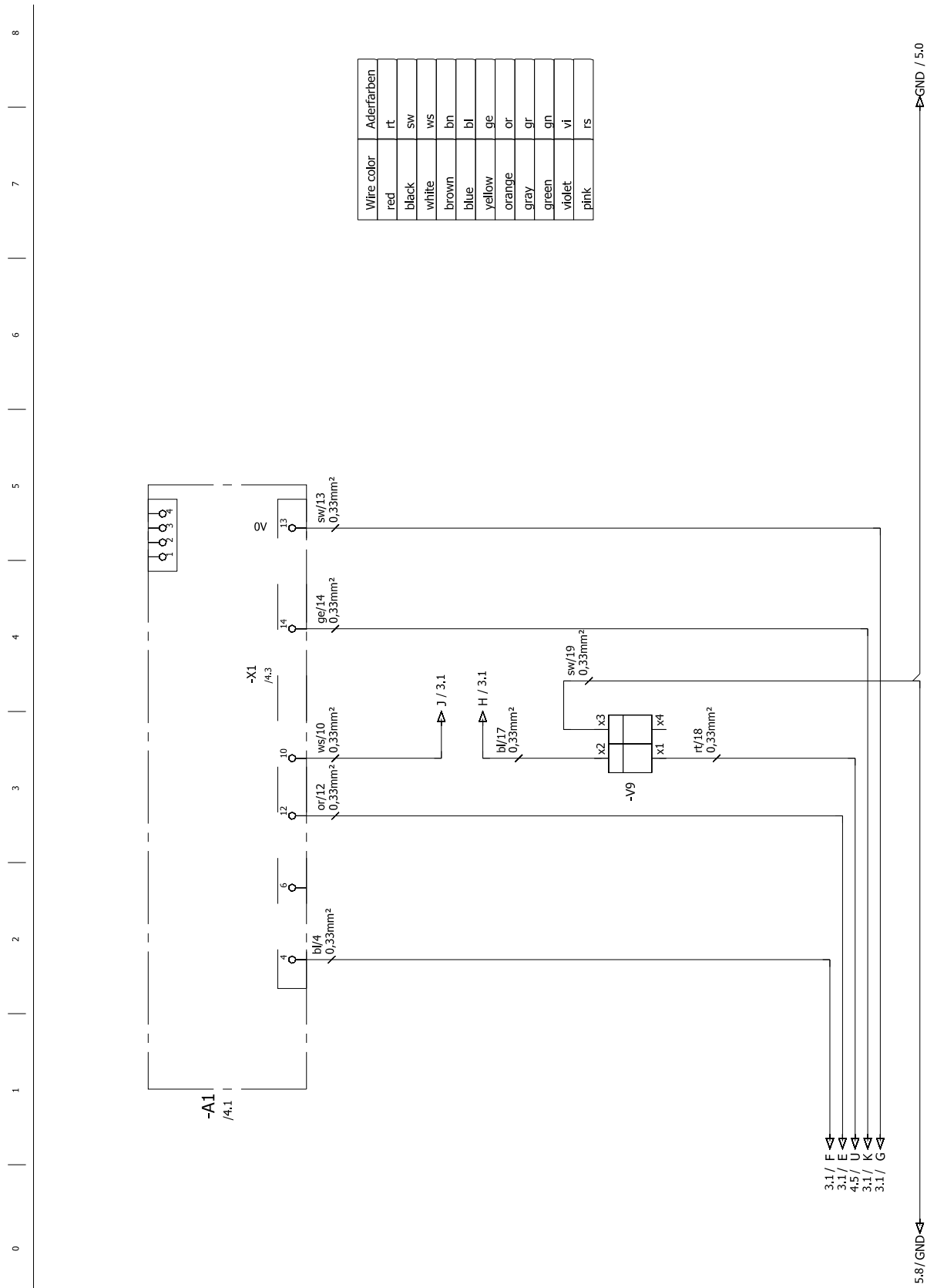


REF	DESCRIPTION
A1	IDRIVE CONTROL
A2	CPU CONTROL
G1-G3	BATTERY 12V
M1	BRUSH MOTOR
M2	BRUSH MOTOR
M3	TRACTION MOTOR
M4	VACUUM MOTOR
M5	DECK ACTUATOR
M6	SQUEEGEE ACTUATOR
S0	E STOP
S1	KEY SWITCH
S3	F/R SWITCH
S4	PLATFORM SWITCH
S5	WATER SWITCH
S6	HORN SWITCH
S7	PRIME SWITCH
Q1	MAIN ROTARY
Q2	CHEM ROTARY
V8	HOUR METER
Y1	BRAKE
Y2	WATER SOLENOID
U1	CHEM PUMP OPTION
V10	FLOW METER OPTION
V9	TRUECHARGE
H1	WATER LED
H2	HORN
F1	PCB 60A - U2
F2	IDRIVE 60A - U2
X12/X13/X14/X15	DEUTSCH CONNECTOR
X9/X10/X11	PACKARD CONNECTOR

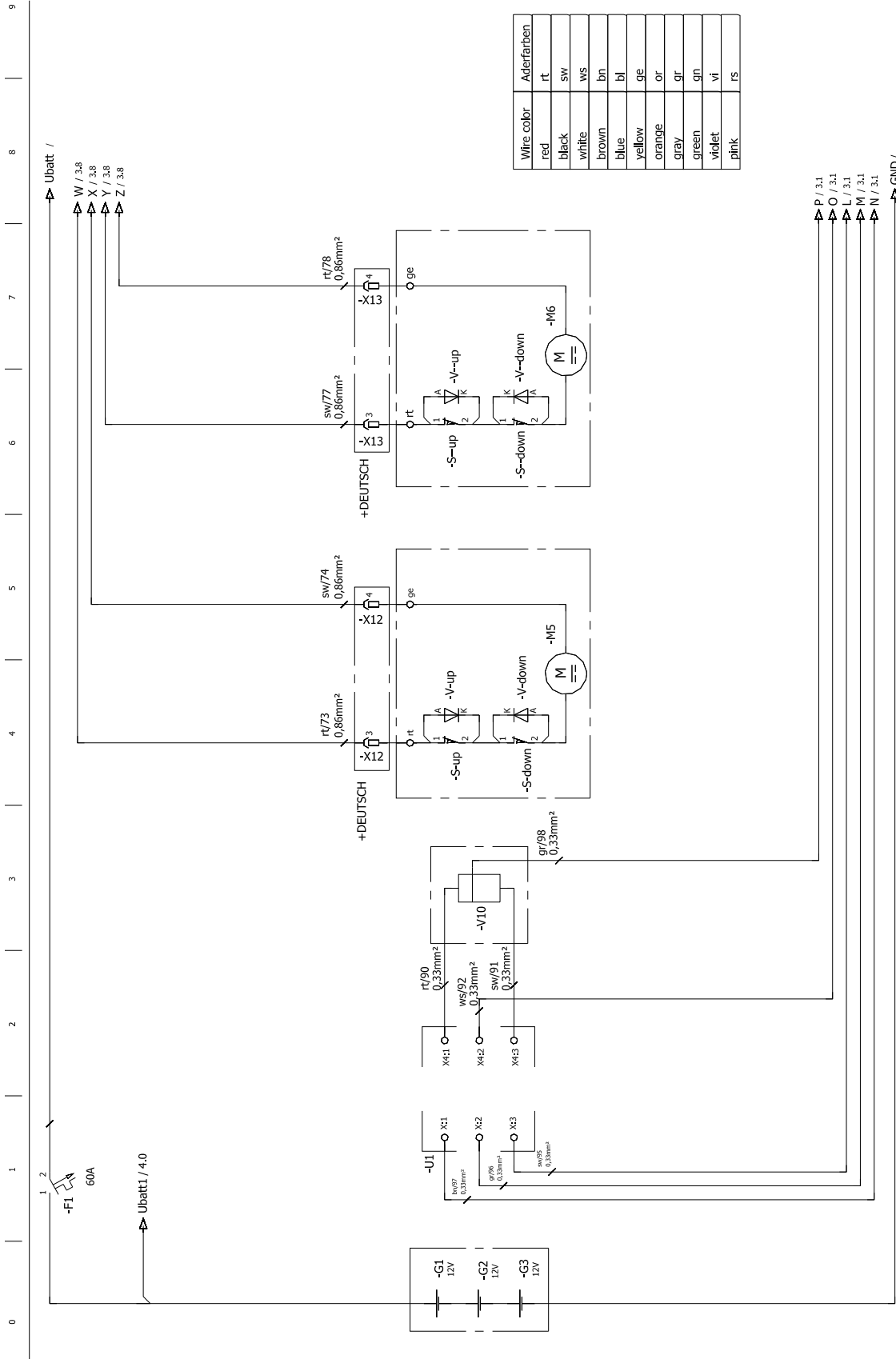


Wire color	Aderfarben
red	rt
black	sw
white	ws
brown	bn
blue	bl
yellow	ge
orange	or
gray	gr
green	gn
violet	vi
pink	rs

REF	DESCRIPTION
A1	IDRIVE CONTROL
A2	CPU CONTROL
G1-G3	BATTERY 12V
M1	BRUSH MOTOR
M2	BRUSH MOTOR
M3	TRACTION MOTOR
M4	VACUUM MOTOR
M5	DECK ACTUATOR
M6	SQUEEGEE ACTUATOR
S0	E STOP
S1	KEY SWITCH
S3	F/R SWITCH
S4	PLATFORM SWITCH
S5	WATER SWITCH
S6	HORN SWITCH
S7	PRIME SWITCH
Q1	MAIN ROTARY
Q2	CHEM ROTARY
V8	HOUR METER
Y1	BRAKE
Y2	WATER SOLENOID
U1	CHEM PUMP OPTION
V10	FLOW METER OPTION
V9	TRUECHARGE
H1	WATER LED
H2	HORN
F1	PCB 60A - U2
F2	IDRIVE 60A - U2
X12/X13/X14/X15	DEUTSCH CONNECTOR
X9/X10/X11	PACKARD CONNECTOR



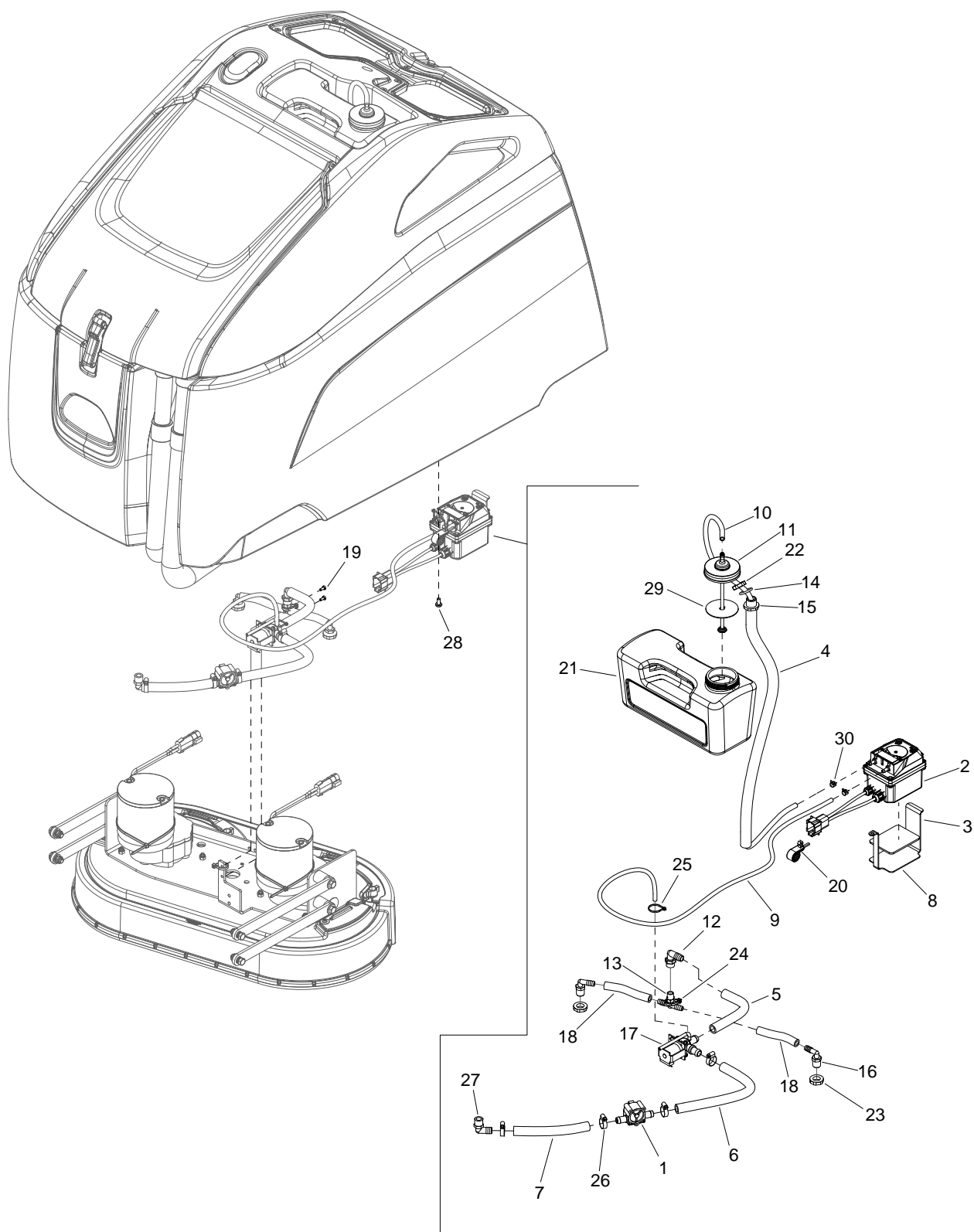
REF	DESCRIPTION
A1	IDRIVE CONTROL
A2	CPU CONTROL
G1-G3	BATTERY 12V
M1	BRUSH MOTOR
M2	BRUSH MOTOR
M3	TRACTION MOTOR
M4	VACUUM MOTOR
M5	DECK ACTUATOR
M6	SQUEEGEE ACTUATOR
S0	E STOP
S1	KEY SWITCH
S3	F/R SWITCH
S4	PLATFORM SWITCH
S5	WATER SWITCH
S6	HORN SWITCH
S7	PRIME SWITCH
Q1	MAIN ROTARY
Q2	CHEM ROTARY
V8	HOUR METER
Y1	BRAKE
Y2	WATER SOLENOID
U1	CHEM PUMP OPTION
V10	FLOW METER OPTION
V9	TRUECHARGE
H1	WATER LED
H2	HORN
F1	PCB 60A - U2
F2	IDRIVE 60A - U2
X12/X13/X14/X15	DEUTSCH CONNECTOR
X9/X10/X11	PACKARD CONNECTOR



REF	DESCRIPTION
A1	IDRIVE CONTROL
A2	CPU CONTROL
G1-G3	BATTERY 12V
M1	BRUSH MOTOR
M2	BRUSH MOTOR
M3	TRACTION MOTOR
M4	VACUUM MOTOR
M5	DECK ACTUATOR
M6	SQUEEGEE ACTUATOR
S0	E STOP
S1	KEY SWITCH
S3	F/R SWITCH
S4	PLATFORM SWITCH
S5	WATER SWITCH
S6	HORN SWITCH
S7	PRIME SWITCH
Q1	MAIN ROTARY
Q2	CHEM ROTARY
V8	HOUR METER
Y1	BRAKE
Y2	WATER SOLENOID
U1	CHEM PUMP OPTION
V10	FLOW METER OPTION
V9	TRUECHARGE
H1	WATER LED
H2	HORN
F1	PCB 60A - U2
F2	IDRIVE 60A - U2
X12/X13/X14/X15	DEUTSCH CONNECTOR
X9/X10/X11	PACKARD CONNECTOR

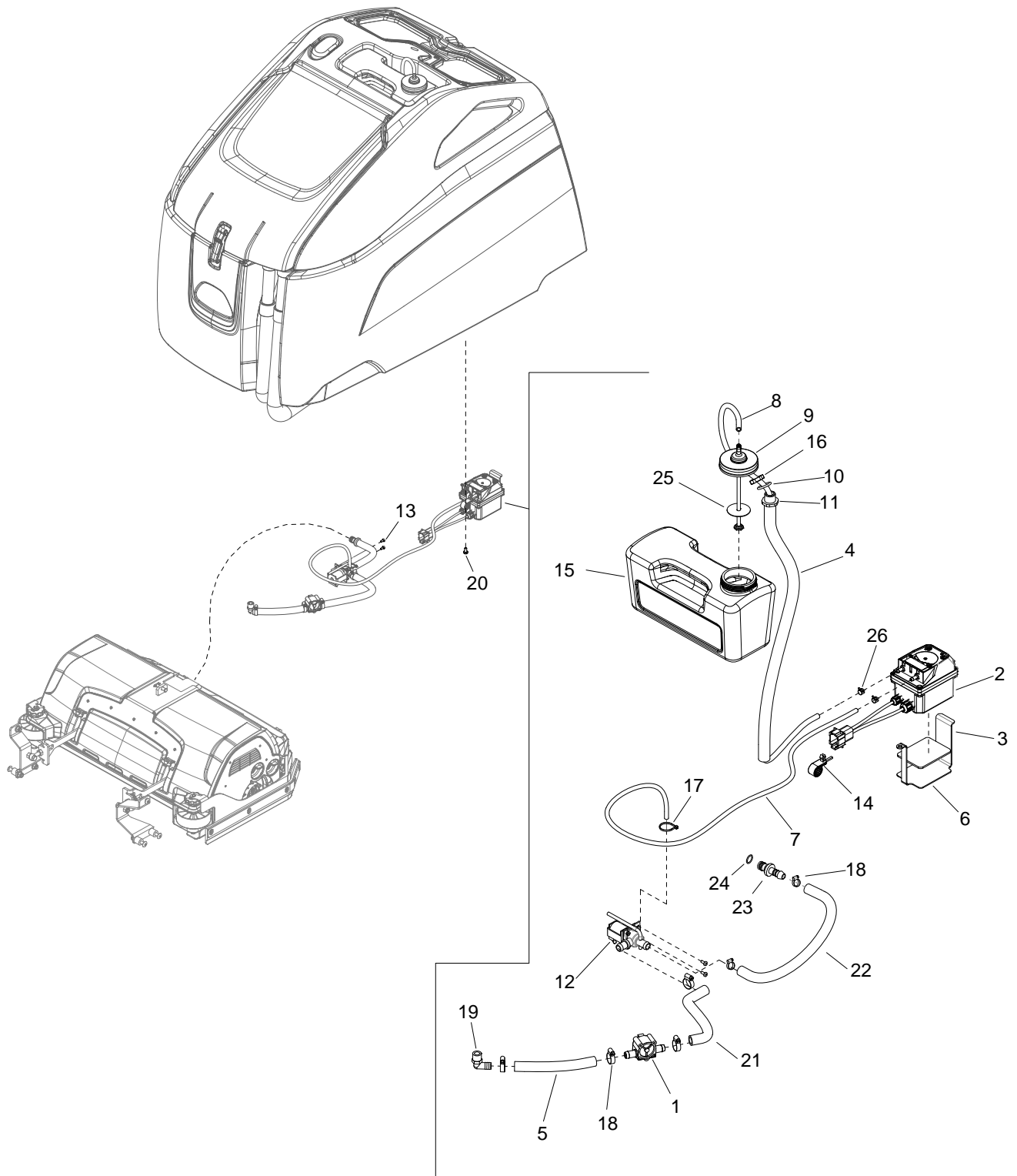


# Options



REF	PART NO.	QTY	DESCRIPTION	SERIAL NO. FROM	NOTES
1	64290380	1	FLOWMETRE		
2	86364390	1	PUMP, CHEMICAL DOSING		
-	40354760	1	HOSE KIT REPLACEMENT		
3	86363990	1	BRKT, CHEMICAL PUMP		
4	86363980	1	HOSE, 5/8ID X .12W CLR X 25"		
5	86363970	1	HOSE, 1/2ID WIREBOUND X 8.25"		
6	86363960	1	HOSE, 1/2ID WIREBOUND X 15"		
7	86363950	1	HOSE, 1/2ID WIREBOUND X 6.25"		
8	86363940	1	PAD, CHEMICAL PUMP		
9	86363900	1	HOSE, 3/16ID X 5/16OD X 41, CLR		
10	86401590	1	HOSE, 3/16ID X 5/16OD X 47, CLR		
11	86363880	1	CAP, 70MM DISPENSING, FLTR, BLK		
12	86362980	1	ELBOW, 1/4FPT X 1/2BARB 90 DEG NYL		
13	86362970	1	TEE, 1/4 MPT X 3/8 BARBS, NYL		
14	86362850	1	O-RING, .86 ID X .14 W, BUNA-N		
15	86362840	1	FTG, 1/2 MPT X 1/2 CONDUIT, NYL		
16	86001550	2	HOSEBARB, 3/8MPT X 3/8HOSE 90		
17	86361690	1	VALVE, 36V SOL, 1/2 BARB, MC		
18	86281330	2	HOSE, 3/8ID WIRE BOUND X 4"		
19	86006520	2	SCR, 8-32 X 3/8 PPHMS SS		
20	86361230	1	CLAMP, PAN 3/4"		
21	86359010	1	CHEMICAL BOTTLE		
22	86271850	1	NUT, 1/2 NPT PLASTIC		
23	86271830	2	NUT, 3/8 NPT PLASTIC		
24	86264940	1	CABLE TIE, 11.38" UL/CSA		
25	86264930	1	CABLE TIE, 3.5" UL/CSA		
26	86233150	4	CLAMP, 3/8 WORM GEAR		
27	86197940	1	HOSEBARB, 3/8 MPT X 1/2 HOSE 90		
28	86006580	1	SCR, 1/4-20 X 1/2 PPHMS SS DL		
29	86402240	1	GASKET, 2.66OD X .06 THICK		
30	86402340	2	CLAMP, HOSE, .38 BAND		
-	86369920	-	CAP, STORAGE, 70 MM		
-	86370450	-	KIT, CHEMICAL BOTTLE 3-PACK		

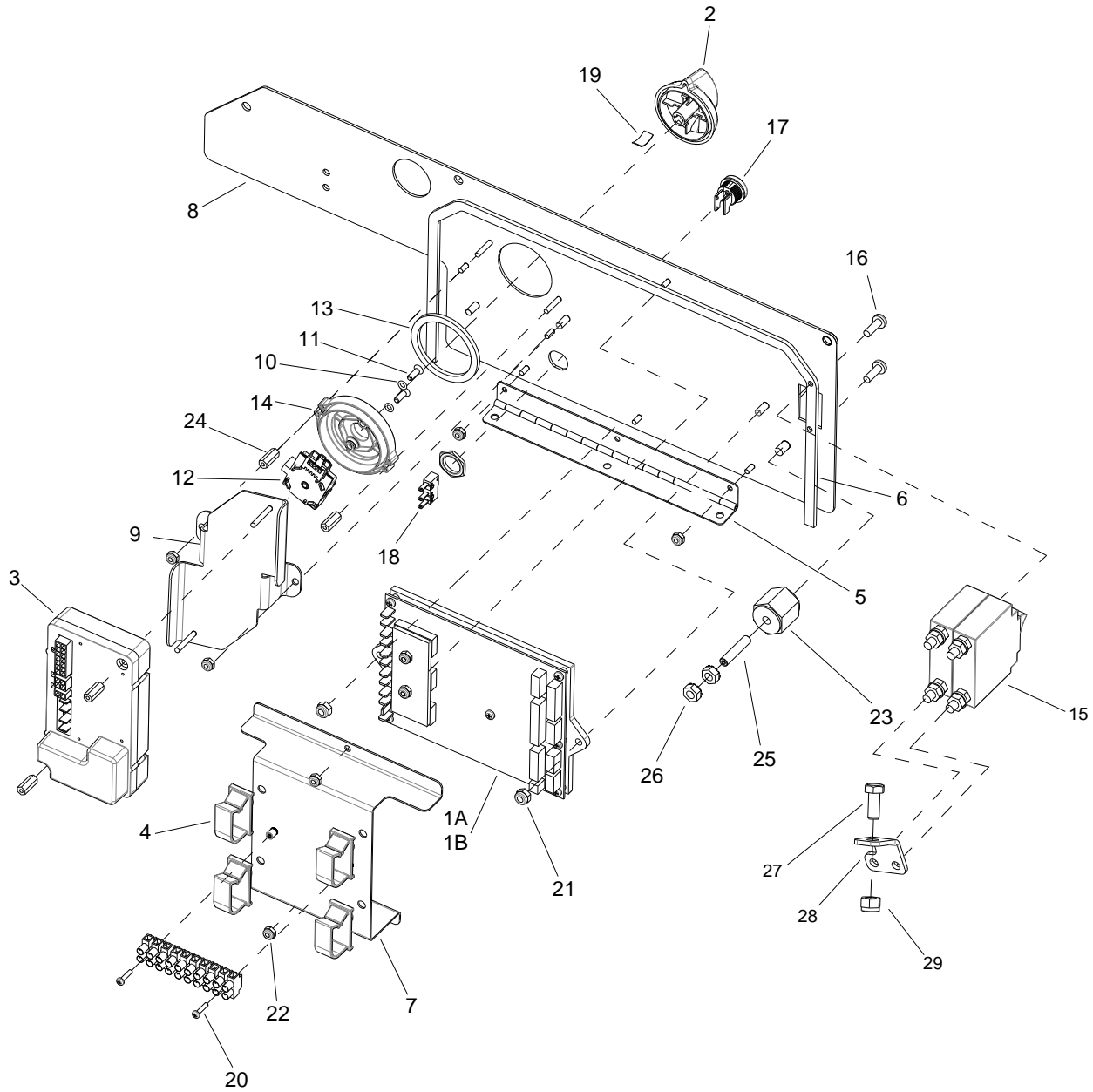
# Chemical Metering Solution System - Cylindrical



*Chemical Metering Solution System - Cylindrical*

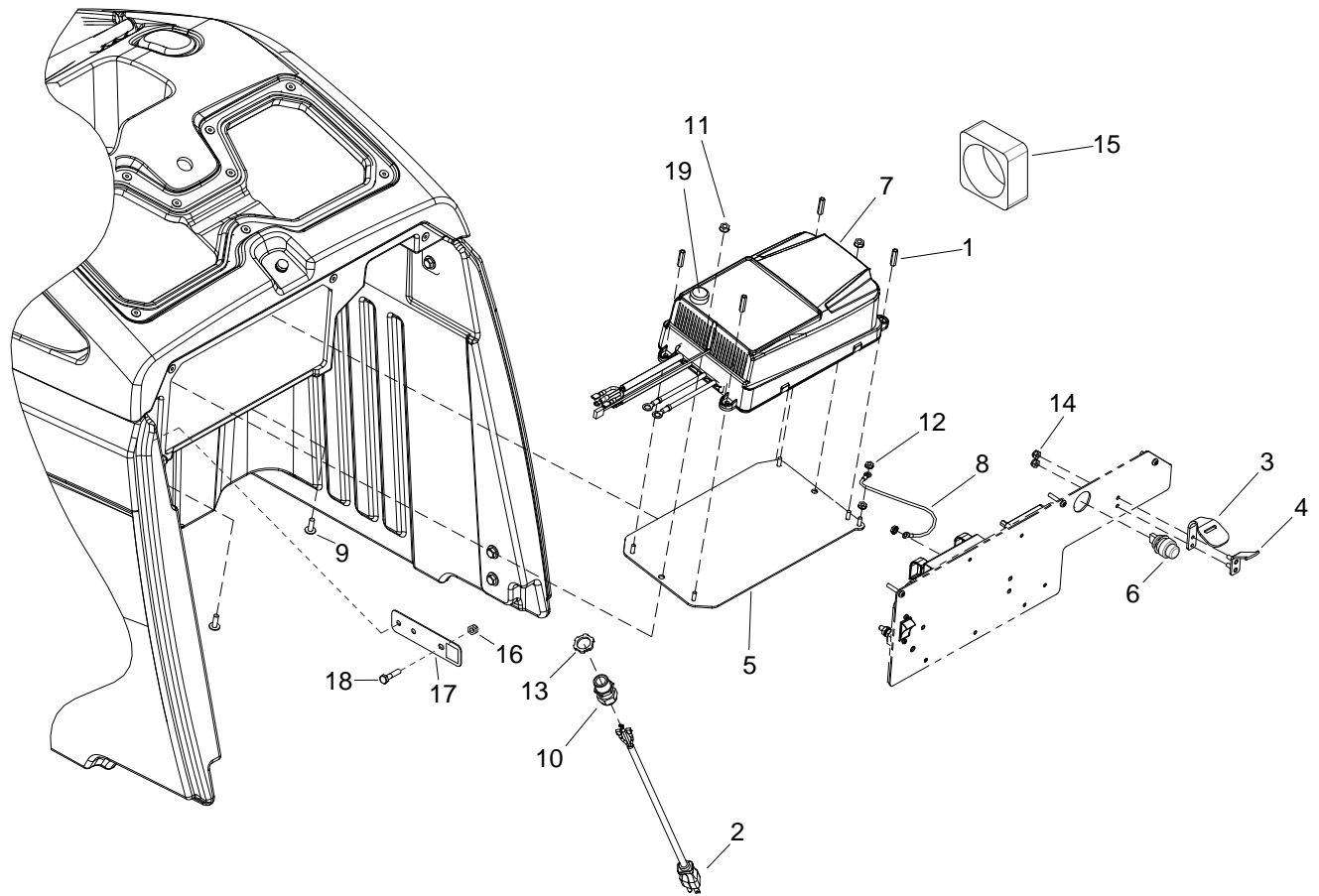
REF	PART NO.	QTY	DESCRIPTION	SERIAL NO. FROM	NOTES
1	64290380	1	FLOWMETRE		
2	86364390	1	PUMP, CHEMICAL DOSING		
-	40354760	1	HOSE KIT REPLACEMENT		
3	86363990	1	BRKT, CHEMICAL PUMP		
4	86363980	1	HOSE, 5/8ID X .12W CLR X 25"		
5	86363950	1	HOSE, 1/2ID WIREBOUND X 6.25"		
6	86363940	1	PAD, CHEMICAL PUMP		
7	86371740	1	HOSE, 3/16ID X 5/16OD X 24, CLR		
8	86401590	1	HOSE, 3/16ID X 5/16OD X 47, CLR		
9	86363880	1	CAP, 70MM DISPENSING, FLTR, BLK		
10	86362850	1	O-RING, .86 ID X .14 W, BUNA-N		
11	86362840	1	FTG, 1/2 MPT X 1/2 CONDUIT, NYL		
12	86361690	1	VALVE, 36V SOL, 1/2 BARB, MC		
13	86006520	2	SCR, 8-32 X 3/8 PPHMS SS		
14	86361230	1	CLAMP, PAN 3/4"		
15	86359010	1	CHEMICAL BOTTLE		
16	86271850	1	NUT, 1/2 NPT PLASTIC		
17	86264930	1	CABLE TIE, 3.5" UL/CSA		
18	86233150	6	CLAMP, 3/8 WORM GEAR		
19	86197940	1	HOSEBARB, 3/8 MPT X 1/2 HOSE 90		
20	86006580	1	SCR, 1/4-20 X 1/2 PPHMS SS DL		
21	86370840	1	HOSE, 1/2ID WIREBOUND X 9.25"		
22	86302770	1	HOSE, 1/2ID WIREBOUND X 14"		
23	54433750	1	HOSE STEM		
24	63621700	1	O-RING SEAL 11,3 X 2,4-NBR 70		
25	86402240	1	GASKET, 2.66OD X .06 THICK		
26	86402340	2	CLAMP, HOSE, .38 BAND		
-	86369920	-	CAP, STORAGE, 70 MM		
-	86370450	-	KIT, CHEMICAL BOTTLE 3-PACK		

# Control Panel - Chemical Solution Metering

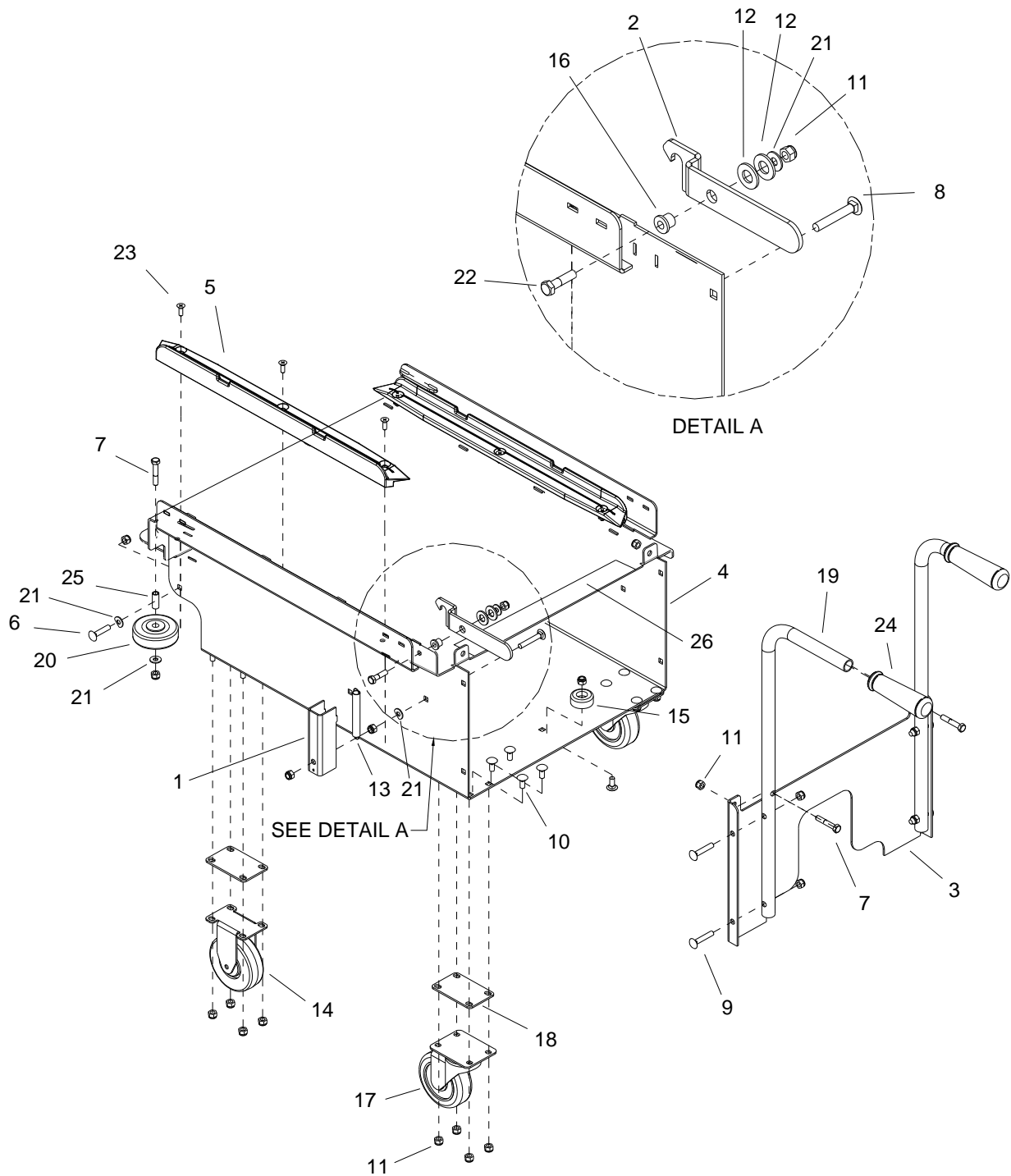


*Control Panel - Chemical Solution Metering*

REF	PART NO.	QTY	DESCRIPTION	SERIAL NO. FROM	NOTES
1A	86370780	1	KIT, PICDUO CONTROLLER		DISK
1B	86370510	1	PICDUO ASSEMBLY, MC, CS26SP		CYLINDRICAL
2	53217380	1	KNOB, SELECTION		
3	86361870	1	CONTROLLER, I-DRIVE CS26		
4	86361520	4	CLIP, CABLE ENTRY		
5	86361420	1	HINGE, PANEL		
6	86360890	1	GASKET, .125 X .31 X 23.6		
7	86360880	1	COVER, CONTROL BOARD		
8	86360870	1	PANEL, LOWER, MC, CS26		
9	86360280	1	BRKT, CONTROLLER		
10	86358440	2	O-RING, 4MM ID, 1.5MM THK, BUNA-N		
11	86358430	2	SCR, M4X12, FHMS, ISO7046, SS NP		
12	86354870	1	SWITCH, ROTARY		
13	86354810	1	GASKET, ROTARY SWITCH		
14	86354560	1	BEZEL, ROTARY SWITCH		
15	86369020	1	BREAKER, 60A 2-POLE		
16	86006620	2	SCREW, 6-32-1/4 PPHMS SS		
17	86295200	1	ASM, BUTTON, BLACK, W/BEZEL		
18	86292780	1	SWITCH,MICRO		
19	63130140	1	SPRING ELEMENT		
20	86275260	2	SCR, 4-40 X 1/2 PPHMS		
21	86005640	2	NUT, 10-32 HEX NYLOCK		
22	86270920	6	NUT, 6-32 HEX NYLOCK SS		
23	86255910	1	STANDOFF, 1/4-20 X 1.0 HEX INS		
24	86255900	4	STANDOFF, 6-32 X 5/8 HEX NYL		
25	86006850	1	SCR, 1/4-20 X 1.25 SSSCU		
26	86005710	2	NUT, 1/4-20 HEX W/STAR		
27	86006760	1	SCREW, 5/16-18 X .75 HHCS GR5 ZNPLT NP		
28	86369480	1	BRKT, CABLE ATTACHMENT		
29	86271910	1	NUT, 5/16-18 FLEX LK STL GRA CDPLT		

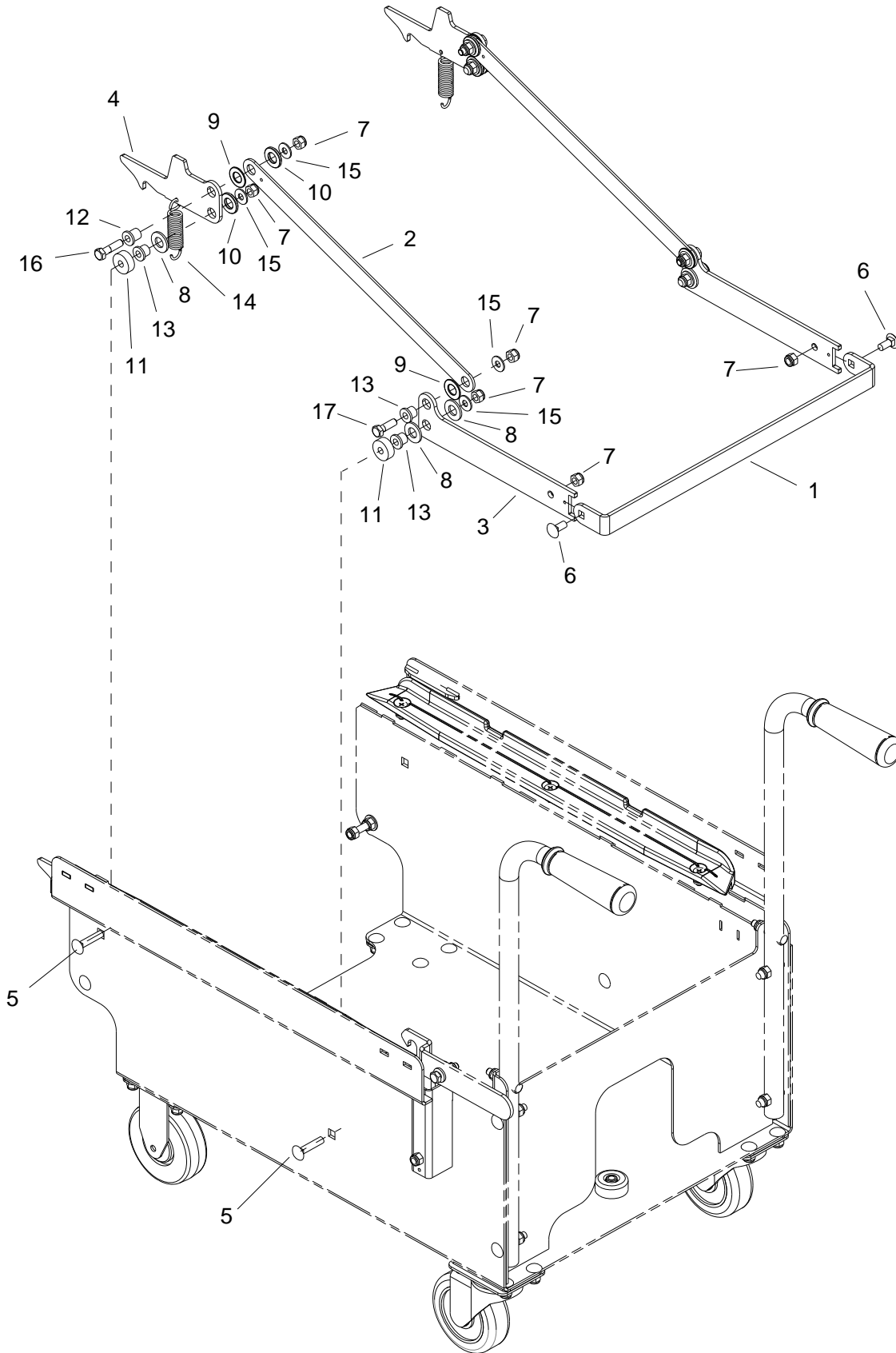


REF	PART NO.	QTY	DESCRIPTION	SERIAL NO. FROM	NOTES
1	86366080	4	STANDOFF, 10-32 X 1.0, NYL		
2	86363800	1	CORD ASM, 16/3 SJT X 6FT BLK		
3	86361440	1	STRAP, CORD		
4	86361430	1	BRKT, CORD		
5	86361090	1	PLATE, OBC MOUNT		
6	86361080	1	METER, SPE CHARGER		
7	86360460	1	CHARGER, SPE 36V 20A CBHF2		
8	86307990	1	WIRE, 10", GRN/14 76010 X 76010		
9	86277640	2	SCR, 1/4-20 X 3/4 PTHMS SS		
10	86256180	1	STRAIN RELIEF, 1/2 NPT (.48ID)		
11	86005710	2	NUT, 1/4-20 HEX W/STAR		
12	86005700	3	NUT, 10-32 HEX W/STAR		
13	86005670	1	NUT, 1/2 NPT CONDUIT		
14	86005640	2	NUT, 10-32 HEX NYLOCK		
15	86369470	1	COVER, OBC VENT		
16	86005810	1	NUT, 1/4-20 HEX NYLOCK SS		
17	86371560	1	PLATE, OBC LOCK		
18	86273740	1	SCREW, 1/4-20 X 1.5 HHCS SS		
19	86401250	1	FUSE, SPE CHRGR, 250VAC, 15A		

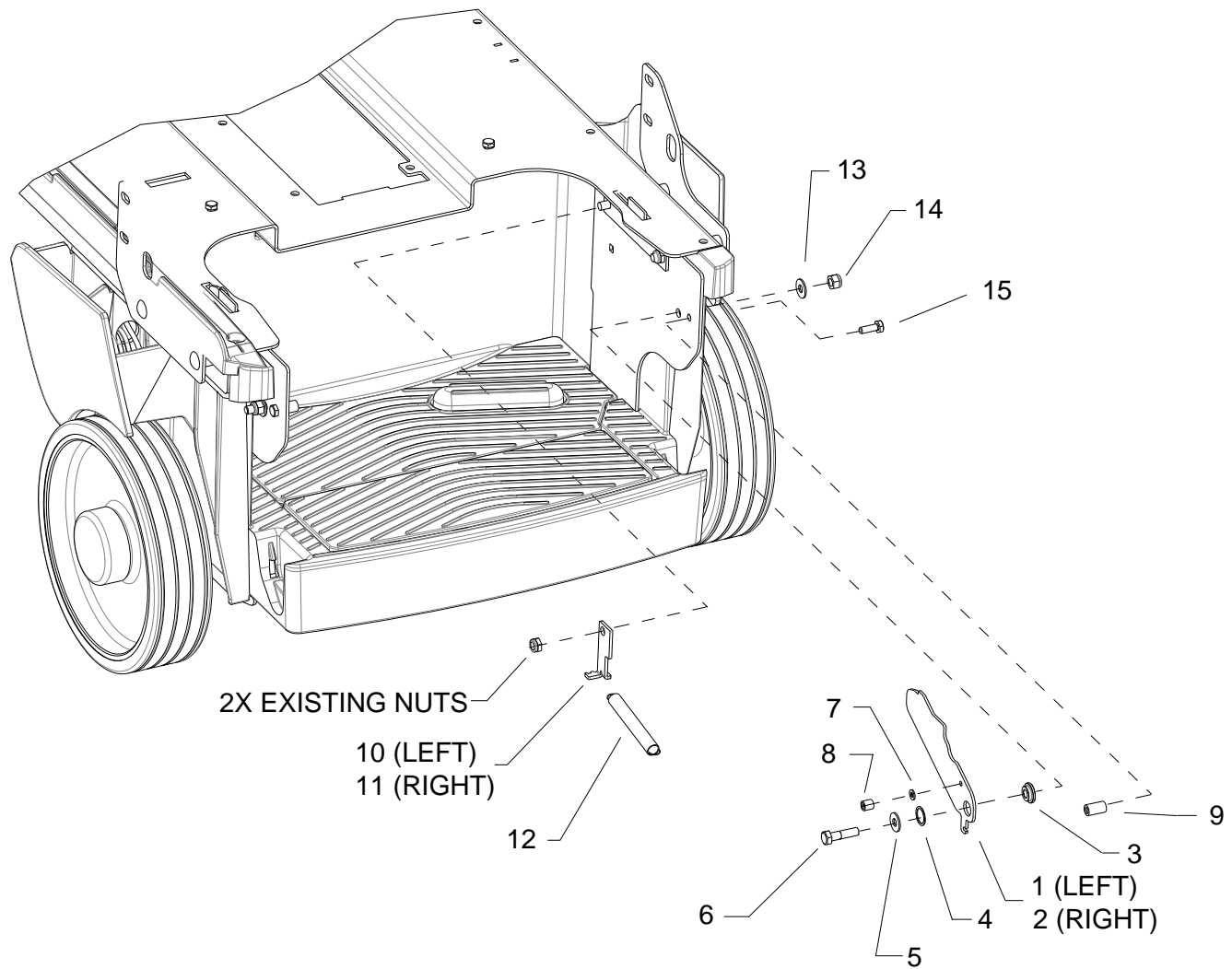


REF	PART NO.	QTY	DESCRIPTIONB	SERIAL NO. FROM	NOTES
1	86359450	1	BRACKET, SPRING COVER, CART		
2	86359400	1	BRKT, TRAY CATCH		
3	86359390	1	BRACKET, BACK, CART		
4	86359380	1	ASM, FRAME, BATTERY CART		
5	86358190	2	GLIDE, BATTERY TRAY		
6	86277470	2	SCR, 5/16-18 X 1.5 CARRIAGE SS		
7	86276790	4	SCR, 5/16-18 X 1.75 HHCS SS		
8	86276710	1	SCR, 5/16-18 X 2.0 CARRIAGE		
9	86276690	4	SCR, 5/16-18 X 1.75 CARR SS		
10	86276070	17	SCR, 5/16-18 X 3/4 CARRIAGE SS		
11	86270830	32	NUT, 5/16-18 HEX NYLOCK SS		
12	86259420	2	WASHER, THRUST.51 ID X 1 ODBRO		
13	86254890	1	SPRING, EXT, .50D X 4.0L		
14	86232590	2	CASTER, PT20		
15	86231090	1	BUMPER, RUBBER 5/16" ID X 1.50		
16	86228840	1	BEARING, FLANGED .313ID X .502OD		
17	86199430	2	CASTER, SWIVEL 4" 250# CPCTY		
18	86078890	4	PLATE, CASTER SPACER		
19	86076600	2	HANDLE, BATTERY CART		
20	86011020	2	WHEEL, 3" DIA. CUSHION RUBBER		
21	86010670	6	WASHER, 5/16 X 3/4 SS		
22	86007020	1	SCR, 5/16-18 X 1.25 HHCS SS		
23	86400810	6	SCREW, 1/4-20 X .75 PHFLHMS SS		
24	86004070	2	GRIP, POLISHER HANDLE		
25	86001350	2	BUSHING, SPANNER .435 X 1.10		
26	86244280	1	LABEL, BATTERY CART OPERATION		

# Battery Exchange - 2



REF	PART NO.	QTY	DESCRIPTION	SERIAL NO. FROM	NOTES
1	86359440	1	BRACKET, PEDAL, CART		
2	86359430	2	PLATE, LATCH LINK, CART		
3	86359420	2	PLATE, PEDAL LINK, CART		
4	86359410	2	PLATE, LATCH, CART		
5	86277470	4	SCR, 5/16-18 X 1.5 CARRIAGE SS		
6	86276070	2	SCR, 5/16-18 X 3/4 CARRIAGE SS		
7	86270830	10	NUT, 5/16-18 HEX NYLOCK SS		
8	86259420	6	WASHER, THRUST.51 ID X 1 ODBRO		
9	86259410	4	WASHER, THRUST .51 ID X1ODX.063		
10	86259400	4	WASHER, THRUST .51 ID X 1 ODBRO		
11	86254280	4	SPACER,1.00 OD X .32 ID X .375		
12	86231150	2	BEARING FLANGED .314IDX.502OD		
13	86228840	6	BEARING, FLANGED .313IDX.502OD		
14	86226830	2	SPRING, EXT. 1.00 OD X 4.0 L		
15	86010670	8	WASHER, 5/16 X 3/4 SS		
16	86007020	2	SCR, 5/16-18 X 1.25 HHCS SS		
17	86006560	2	SCR, 5/16-18 X 1.00 HHCS SS		



REF	PART NO.	QTY	DESCRIPTION	SERIAL NO. FROM	NOTES
1	86360040	1	BATTERY STOP, LEFT		
2	86360050	1	BATTERY STOP, RIGHT		
3	86319670	2	SLEEVE, BEARING		
4	86363760	2	PLATE, SHIM .030" THIC		
5	86010670	2	WASHER 5/16 FLAT SS		
6	86007020	2	SCREW, 5/16-18 X 1.25 HHCS SS NP		
7	86279190	2	WASHER, 10 FLT TYPEB FLT ZNPLT		
8	86360090	2	STANDOFF, RND, 3/8 OD, 10-32 X3/8		
9	86298200	2	STANDOFF, .43 OD, 1/4-20 X.75 L		
10	86360060	1	BRKT, SPING MOUNT, LT		
11	86360070	1	BRKT, SPRING MOUNT, RT		
12	86254890	2	SPRING EXT, .50 D X 4.0 L		
13	86010670	2	WASHER 5/16 FLAT SS		
14	86270830	2	NUT, 5/16-18 HEX NYLOCK S		
15	86273780	2	SCREW, 1/4-20 X .75 HHCS SS NP		

## Serial Numbers

---

REF. NO.	MODEL: SERIAL #
1	10061500000603, 10061510000464, 10061520000035, 10061530000053, 10061580000136, 10061590000188, 10061600000006, 10061610000026
2	10061500000715, 10061510000570, 10061580000164, 10061590000206
3	10061500000792, 10061510000647, 10061580000175, 10061590000225

