



## Electronic Service Manuals

This electronic document is provided as a service to our customers. We do not create the contents of the information contained in this document. Should you have detailed questions pertaining to the information contained in this document, you may contact Michco, or the manufacturer which provided the original information in this electronic deliverable. Michco's only part in this electronic deliverable was the electronic assembly process. By providing this manual on line we are not guaranteeing parts availability.

You may contact Michco through the following methods:

Phone (517) 484-9312 or (800) 331-3339

2011 N. High St. -- Lansing, Michigan -- 48906

Fax: (517) 484-9836

Email: [CustServe@Michco.com](mailto:CustServe@Michco.com)

Web site: [www.Michco.Com](http://www.Michco.Com)

Parts Web site: [www.FloorMachineParts.Com](http://www.FloorMachineParts.Com)

Order Parts on Line at:

**[www.FloorMachineParts.Com](http://www.FloorMachineParts.Com)**

Directly to Parts & Service:

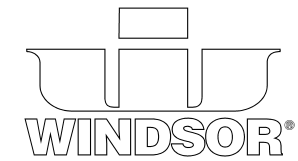
By Email: **[Shop@Michco.com](mailto:Shop@Michco.com)**

By Fax: (517) 702-2041

By Voice: Use numbers above.

**Serving the Cleaning Industry Since 1922**

Notice: All copyrighted material remains property of original owners, all trademarks are property of respective owners. Manuals are subject to Manufacturer's reproduction limitations. Originals or reproductions were provided by manufacturers through a request. We make no warranty as to the correctness of information provided in this document and you assume all risk. By placing these manuals on line we are not declaring our corporation to be an manufacturer authorized dealer or provider, please check our web site for authorized manufacturers we represent.



## **Spare parts list**

**(15151580) Saber Compact 16**

**(15152080) Saber Compact 16 SP**



# CONTENT LIST

## 1.0 Tank

### 1.1 Tank

### 1.2 Individual parts

## 2.0 Frame

### 2.1 Frame Compact 16 SP

### 2.2 Frame Compact 16

## 3.0 Individual parts

## 4.0 Electricics

### 4.1 Control system Compact 16

### 4.2 Electric equipment Compact 16

### 4.3 Electricics Compact 16 SP

## 5.0 Brush-head

### 5.1 Brush-head Compact 16 SP

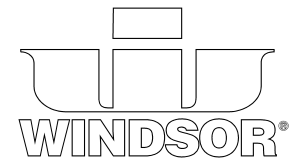
### 5.2 Brush-head Compact 16

## 6.0 Suction bar

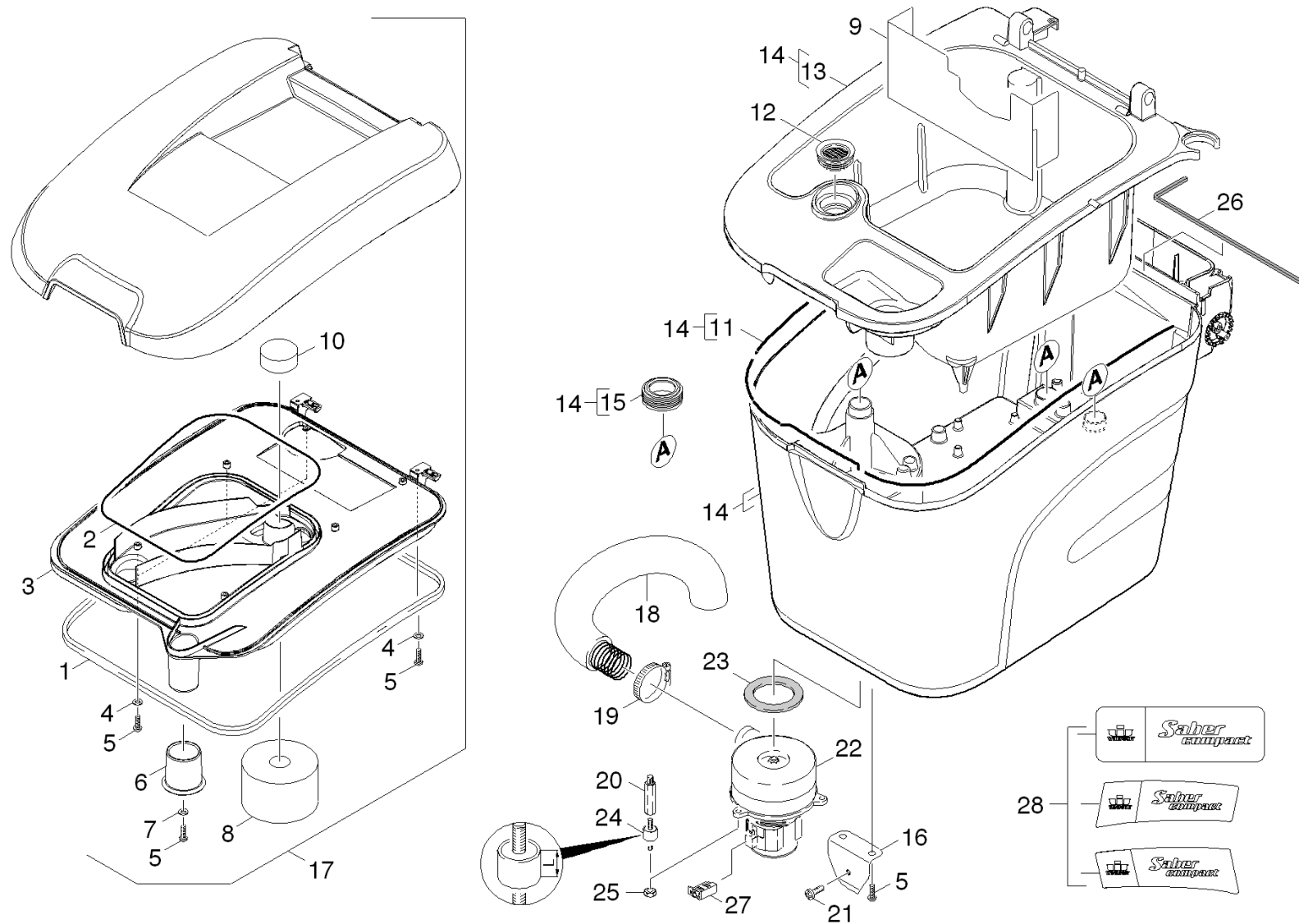
## 1.0 Tank

1.1 Tank

1.2 Individual parts



# 1.1 Tank



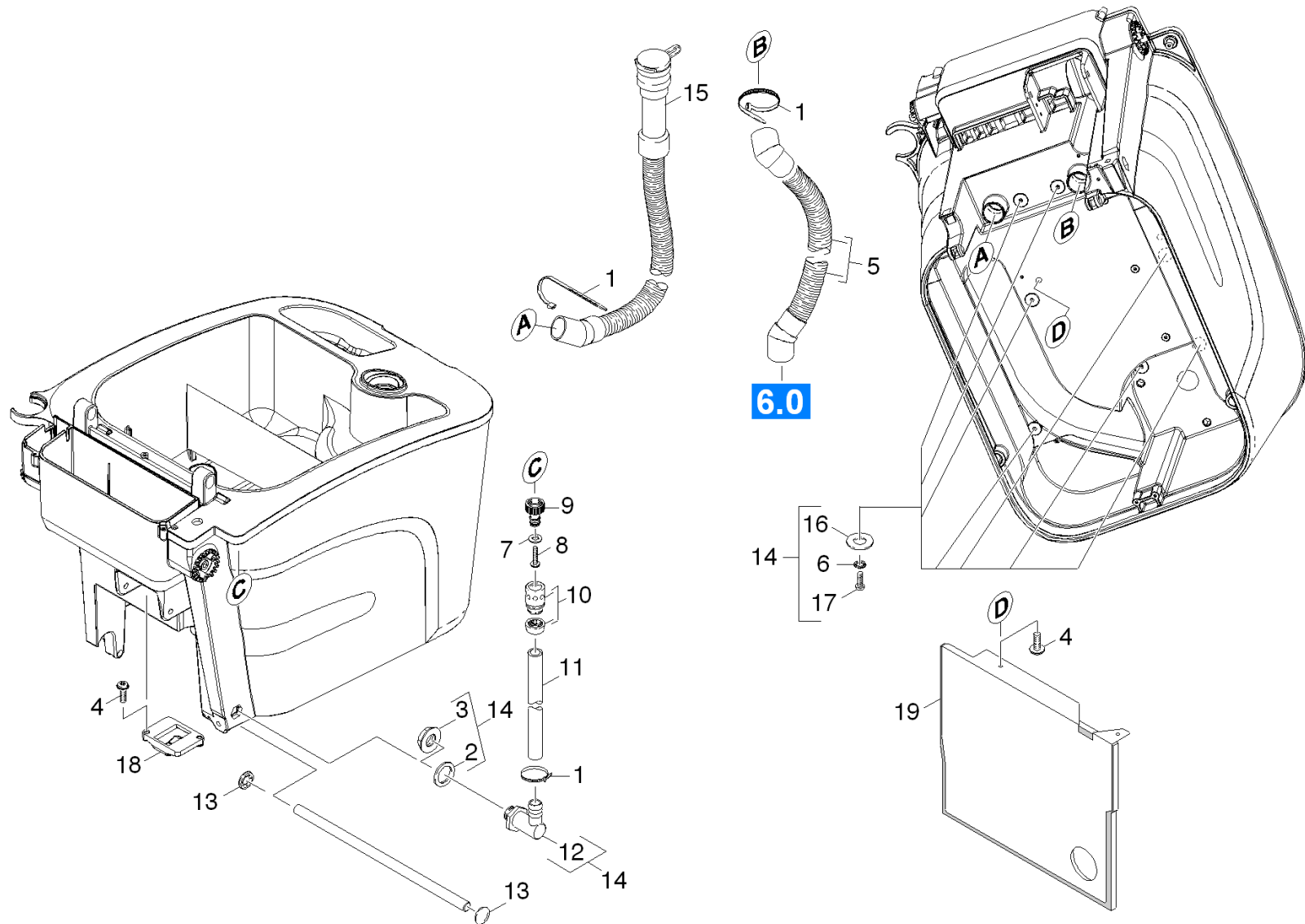
## 1.1 Tank

POS	DESCRIPTION ADDITIONAL INFORMATIONS	PART NO	QTY.	FROM SER.NR.	UP TO SER. NR.
1	Sealing profile <a href="#">TO ORDER AS CUT GOODS</a>	63660430	1		
2	Seal string cellular rubber <a href="#">TO ORDER AS CUT GOODS</a>	62731960	1		
3	Covering cap replacement	40320120	1		
4	Washer 5 -A2 ISO 7089	73120520	8		
5	Screw 5x25 -A2-70-bk (In6Rd)	73031050	11		
6	Form seal BR BD	53636860	1		
7	Washer 5 -A2 ISO 7093-1	73122820	1		
8	Float	55850420	1		
9	Splash plate	50576870	1		
10	Plug vacuum channel	50326640	1		
11	Seal cellular rubber D6 <a href="#">TO ORDER AS CUT GOODS</a>	62731040	1		
12	Joint ring fluffing strainer	55152660	1		
13	Tank waste water	50711570	1		
14	Tank complete	30710880	1		
15	Joint ring FW-SW	53636470	3		
16	Plate closure tank	50081640	1		
17	Cover replacement	40638170	1		
18	SUCTION TUBE <a href="#">//1.515-158.0</a>	63889490	1		
18	SOUNDPROOF HOSE <a href="#">//1.515-208.0</a>	63902150	1		
19	HOSE BAND CLIP	63887130	1		
20	BOLT <a href="#">//1.515-158.0</a>	53080560	3		
20	DOWEL <a href="#">//1.515-208.0</a>	53171250	3		
21	Screw M6x16 -A2-70 (In6Rd)	73061930	1		
22	Vacuum motor 24V 420W <a href="#">//1.515-208.0</a>	64900000	1		

## 1.1 Tank

POS	DESCRIPTION ADDITIONAL INFORMATIONS	PART NO	QTY.	FROM SER.NR.	UP TO SER. NR.
22	Vacuum motor 120V //1.515-158.0	64901620	1		
23	Joint ring //1.515-208.0	53635740	1		
24	Rubber buffer 2xM6-D20 H15 L=15mm	63390210	3		
24	Rubber buffer 2xM6 D20 H12 L=12mm	63392410	1		
25	Hexagon nut M 6-8-A2E EN 1661	73115410	3		
26	Seal L shape	53636690	1		
27	Carbon brush set //1.515-208.0	64902300	1		
27	CARBON BRUSH SET //1.515-158.0	66102210	1		
28	Set label replacement	33910010	1		

## 1.2 Individual parts



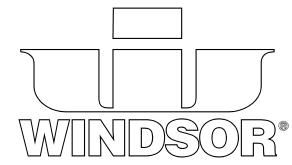
## 1.2 Individual parts

POS	DESCRIPTION ADDITIONAL INFORMATIONS	PART NO	QTY.	FROM SER.NR.	UP TO SER. NR.
1	HOLDER	66414740	3		
2	Seal D34	55152530	1		
3	Sleeve discharge tank	51310660	1		
4	Screw 5x16 -10.9-P2R (K-In6Rd)	73031070	4		
5	Suction hose OIL RESISTANT	63914740	1		
6	Serrated lock washer A5,3-1.4310 DIN 67	73120410	7		
7	Washer 5 -A2 ISO 7093-1	73122820	1		
8	Screw 5x40 -A2-70 (IN6Rd)	73031180	1		
9	Connection without seal 3/4"	63914680	1		
10	Hose coupling	63884820	1		
11	Hose silicon	63913720	1		
12	Angle bushing G1-2	63951630	1		
13	FITTING	63431270	2		
14	Tank complete	30710880	1		
15	Drain hose OIL RESISTANT	63913070	1		
16	Joint ring D14	53636480	7		
17	Screw 5x30 -10.9-R2R (K-In6Rd)	73030860	8		
18	Notch lever suction bar	50328260	1		
19	Plate replacement sound insulation //1.515-158.0	40080080	1		

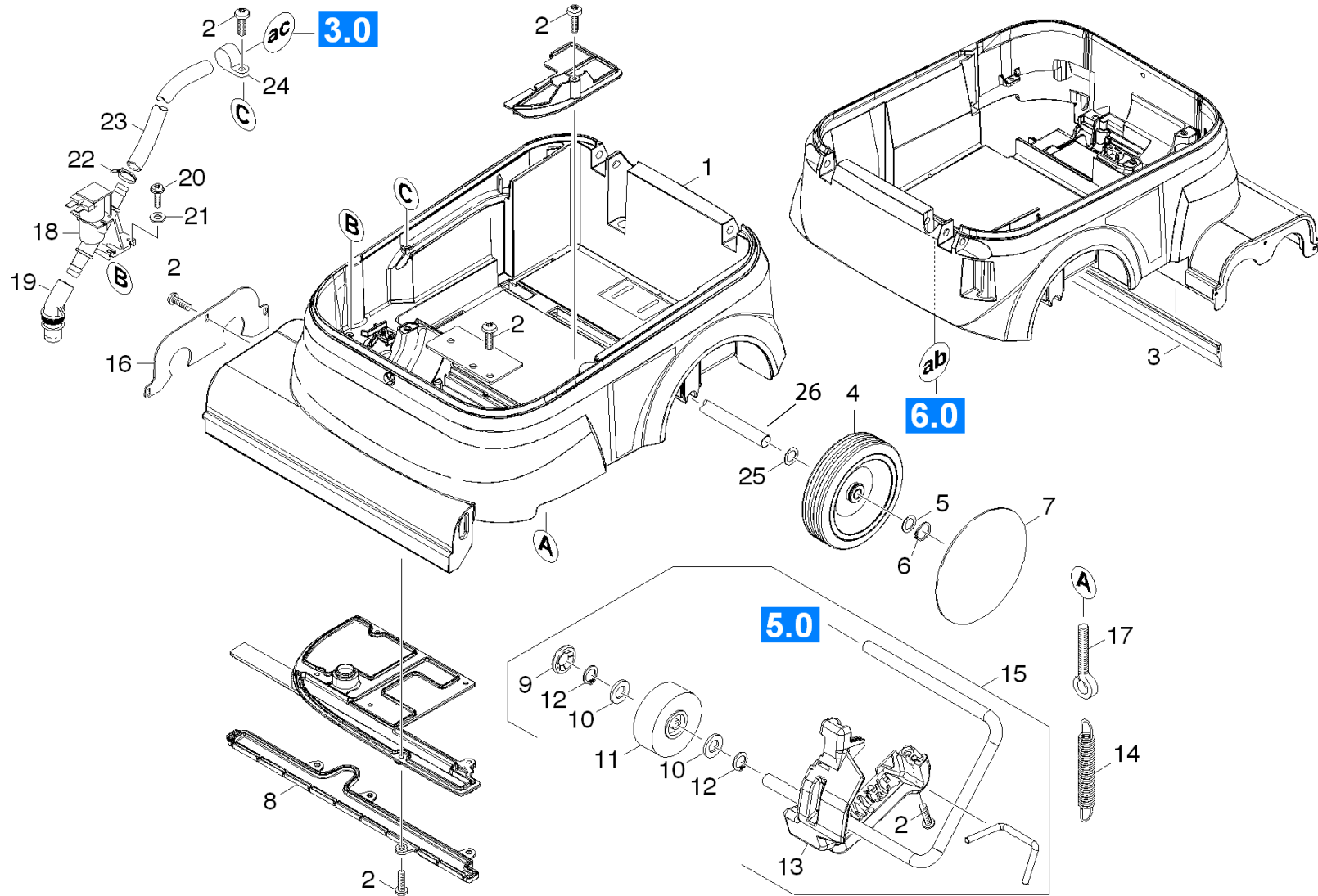
## 2.0 Frame

2.1 Frame Compact 16 SP

2.2 Frame Compact 16



## 2.1 Frame Compact 16 SP



## 2.1 Frame Compact 16 SP

POS	DESCRIPTION ADDITIONAL INFORMATIONS	PART NO	QTY.	FROM SER.NR.	UP TO SER. NR.
1	Frame BR40/25C	50502430	1		
2	Screw 5x20 -A2-70 (In6Rd)	73032120	15		
3	Splash guard brush	69512550	1		
4	Wheel D200	64353560	2		
5	WASHER	51156080	2		
6	Locking ring 15x1-FST-PHR DIN 471	73430040	2		
7	Wheel cab neutrally	64353010	2		
8	Gutter	50326540	1		
9	QUICK FASTENER	63432240	1		
10	Washer 12-A2 ISO 7090	73120540	2		
11	Roller D60	55152800	1		
12	Locking ring 12x1-Rf-St DIN 471	73430030	2		
13	Half shell replacement	47623880	1		
14	Extension spring	63302410	1		
15	Carriage replacement	40440670	1		
16	Plate bearing brush	50081590	1		
17	Eye screw zinc-plated M5X15	69512560	1		
18	Solenoid valve 24V	64729970	1		
19	RUBBER BUSHING	53790280	1		
20	Screw 4x16 -A2-70 (In6Rd)	73030260	2		
21	Washer 4-A2 ISO 7093-1	73122930	2		
22	HOLDER	66414740	1		
23	Spiral hose TO ORDER AS CUT GOODS	63908920	1		
24	Hose clip	63738760	1		
25	Shim ring 15x21x0,5-A2 DIN 988	73430650	2		
26	Axile wheel D15	51054040	2		



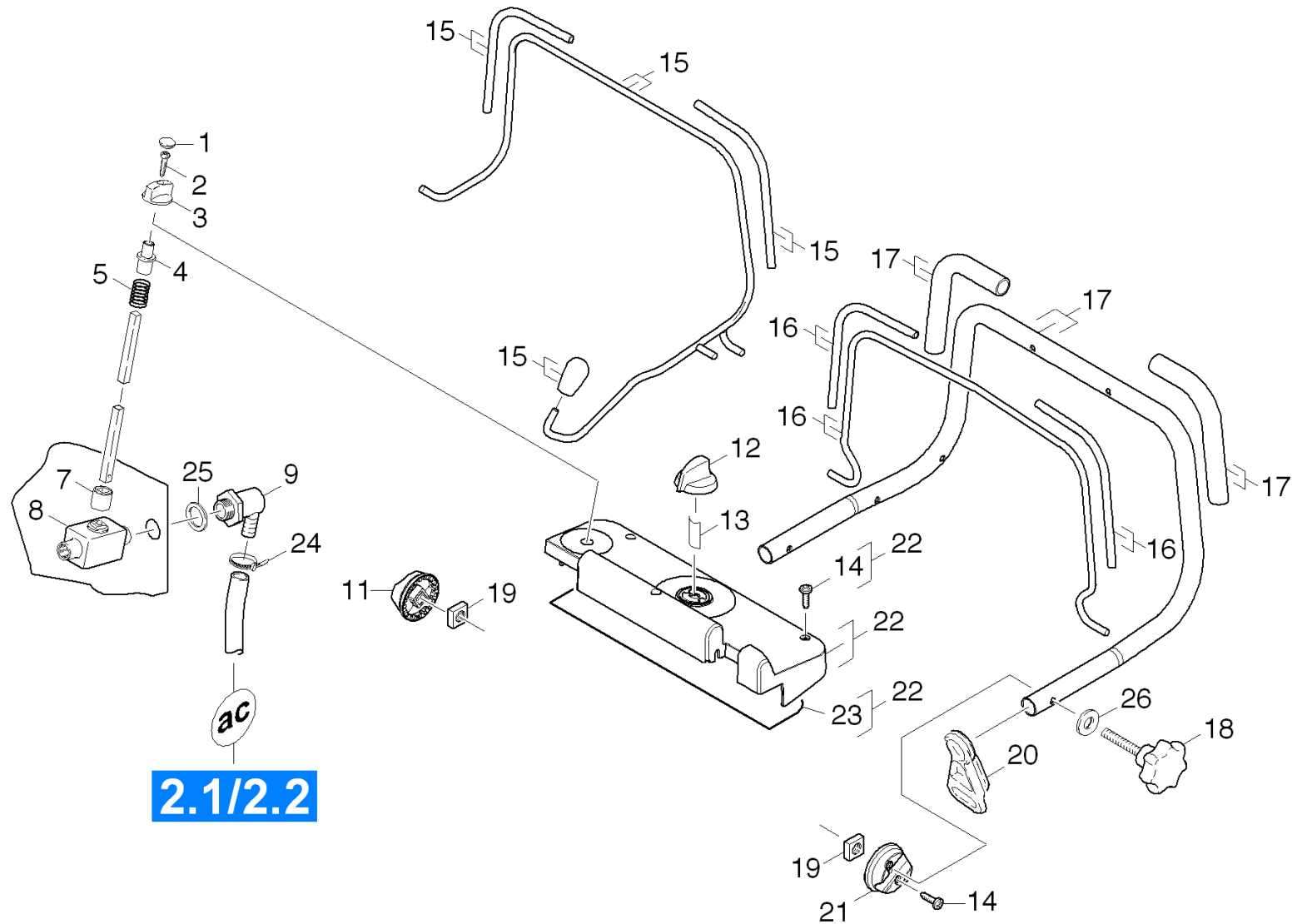
## 2.2 Frame Compact 16

POS	DESCRIPTION ADDITIONAL INFORMATIONS	PART NO	QTY.	FROM SER.NR.	UP TO SER. NR.
1	Frame BD	50502610	1		
2	Screw 5x20 -A2-70 (In6Rd)	73032120	8		
3	Bearing support replacement	42510470	1		
4	Wheel D200	64353560	2		
5	WASHER	51156080	2		
6	Locking ring 15x1-FST-PHR DIN 471	73430040	2		
7	Wheel cab neutrally	64353010	2		
8	Star grip	63211890	1		
9	QUICK FASTENER	63432240	1		
10	Washer 12-A2 ISO 7090	73120540	4		
11	Roller D60	55152800	1		
12	Shim ring 15x21x0,5-A2 DIN 988	73430650	2		
13	Half shell replacement	47623880	1		
14	Extension spring	63302410	1		
15	Carriage complete BD	40440630	1		
16	Lever pressure roller	40440680	1		
17	Eye screw zinc-plated M5X15	69512560	1		
18	Solenoid valve replacement	44720020	1		
19	RUBBER BUSHING	53790280	1		
20	Screw 4x16 -A2-70 (In6Rd)	73030260	2		
21	Washer 4-A2 ISO 7093-1	73122930	2		
22	HOLDER	66414740	1		
23	Spiral hose TO ORDER AS CUT GOODS	63908920	1		
24	Hexagon nut M 8-A2-70 ISO 4032	73110680	2		
25	Hexagon nut M 8-1.4305 ISO 10511	73114320	1		
26	Axle	51055650	1		
27	Lock washer 12-2.1030 DIN 6799	73432060	2		
28	Hose clip	63738760	1		
29	Retainer clip pressure roller	50049900	2		
30	Axle pressure roller	51055640	1		
31	ROLLER	54350010	1		

## 2.2 Frame Compact 16

POS	DESCRIPTION ADDITIONAL INFORMATIONS	PART NO	QTY.	FROM SER.NR.	UP TO SER. NR.
32	Ball bearing 6202-2RS -Wälzl.St DIN 625	74011280	1		
33	Locking ring 35x1,5-FST-BR DIN 472	73431670	1		
34	Locking ring 15x1-FST-RF DIN 471	73430150	1		
35	Deflector roll	55152750	1		
36	Axle deflector roll	51055660	1		
37	QUICK FASTENER	63432240	2		
38	Lock washer 10-FST-A2E DIN 6799	73430470	1		
39	Locking ring 12x1-Rf-St DIN 471	73430030	2		
40	Screw 6x25 -10.9-A2R (In6Rd)	73031130	3		

### 3.0 Individual parts

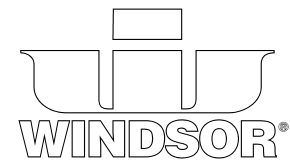


### 3.0 Individual parts

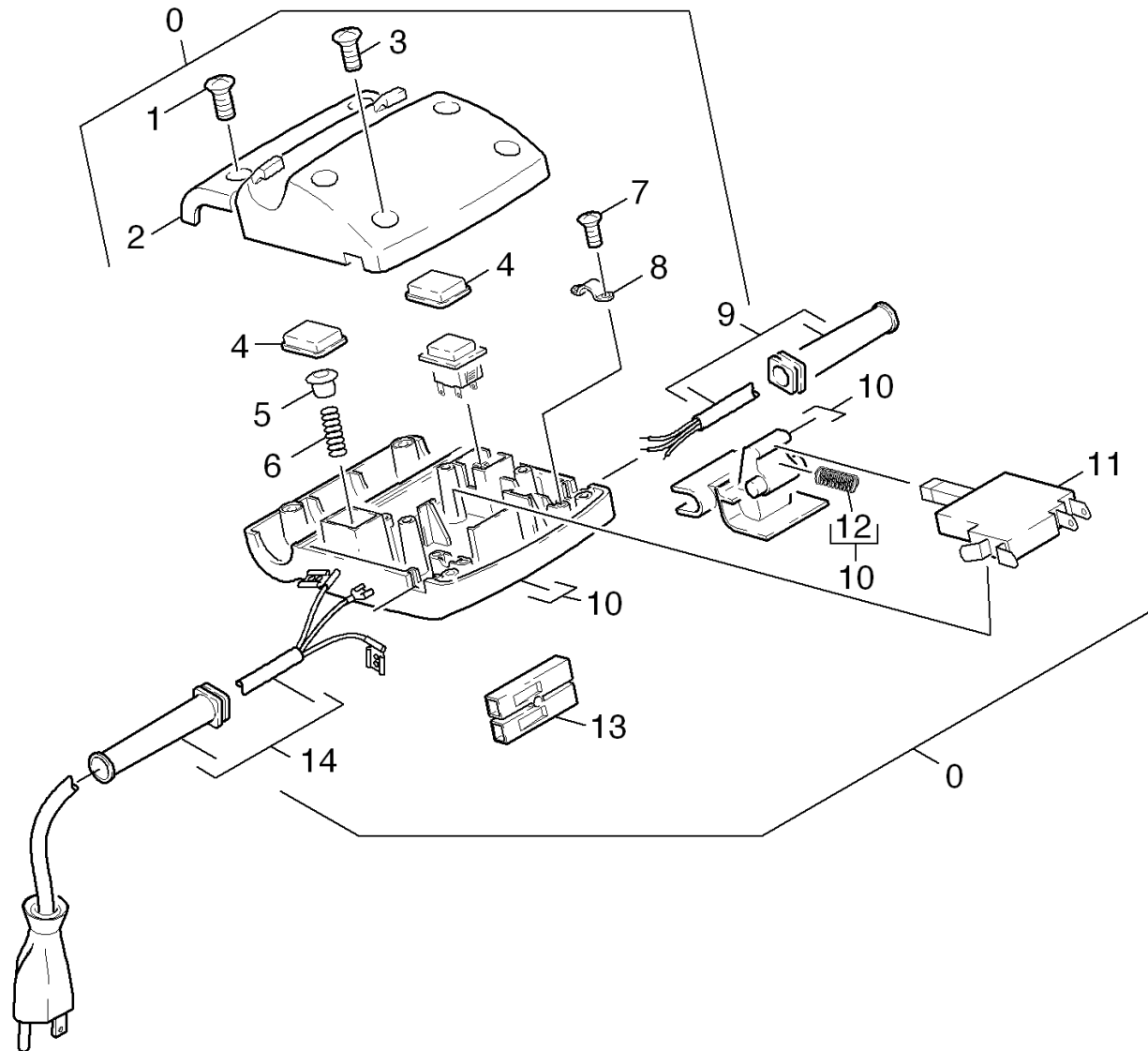
POS	DESCRIPTION ADDITIONAL INFORMATIONS	PART NO	QTY.	FROM SER.NR.	UP TO SER. NR.
1	Ornamental hub cap D10/D12	63680760	1		
2	Sheet metal screw ST3,5X25-ST-A2R (IN6R	73030650	1		
3	Handhold	53215090	1		
4	Coupler	54700340	1		
5	HELICAL SPRING	53322900	1		
7	Coupler	54700330	1		
8	BALL VALVE BR700	64122890	1		
9	Angle bushing G3-8	63951620	1		
11	Fixing strap right	50327540	1		
12	Handhold operational concept	53217380	1		
13	SPRING CLIP	63130140	1		
14	Screw 5x20 -10.9-R2R (In6Rd)	73031080	5		
15	Strap replacement Bp <a href="#">//1.515-208.0</a>	40341380	1		
16	Strap replacement Bp <a href="#">//1.515-158.0</a>	40341330	1		
17	Strap replacement <a href="#">//1.515-158.0</a>	40341320	1		
17	Strap handhold replacement <a href="#">//1.515-208.0</a>	40341370	1		
18	HANDLE	63211790	2		
19	Square nut M8 -05-A2E DIN 557	73115700	2		
20	PULL RELIEF <a href="#">//1.515-158.0</a>	66417760	1		
21	Fixing strap left	50327550	1		
22	Covering cap replacement	40320260	1		
23	Seal control panel	53620090	1		
24	HOLDER	66414740	1		
25	Joint ring	55152740	1		
26	Washer 8-200HV-A2E ISO7093-1	73122770	2		

## 4.0 Electricics

- 4.1 Control system Compact 16
- 4.2 Electric equipment Compact 16
- 4.3 Electricics Compact 16 SP



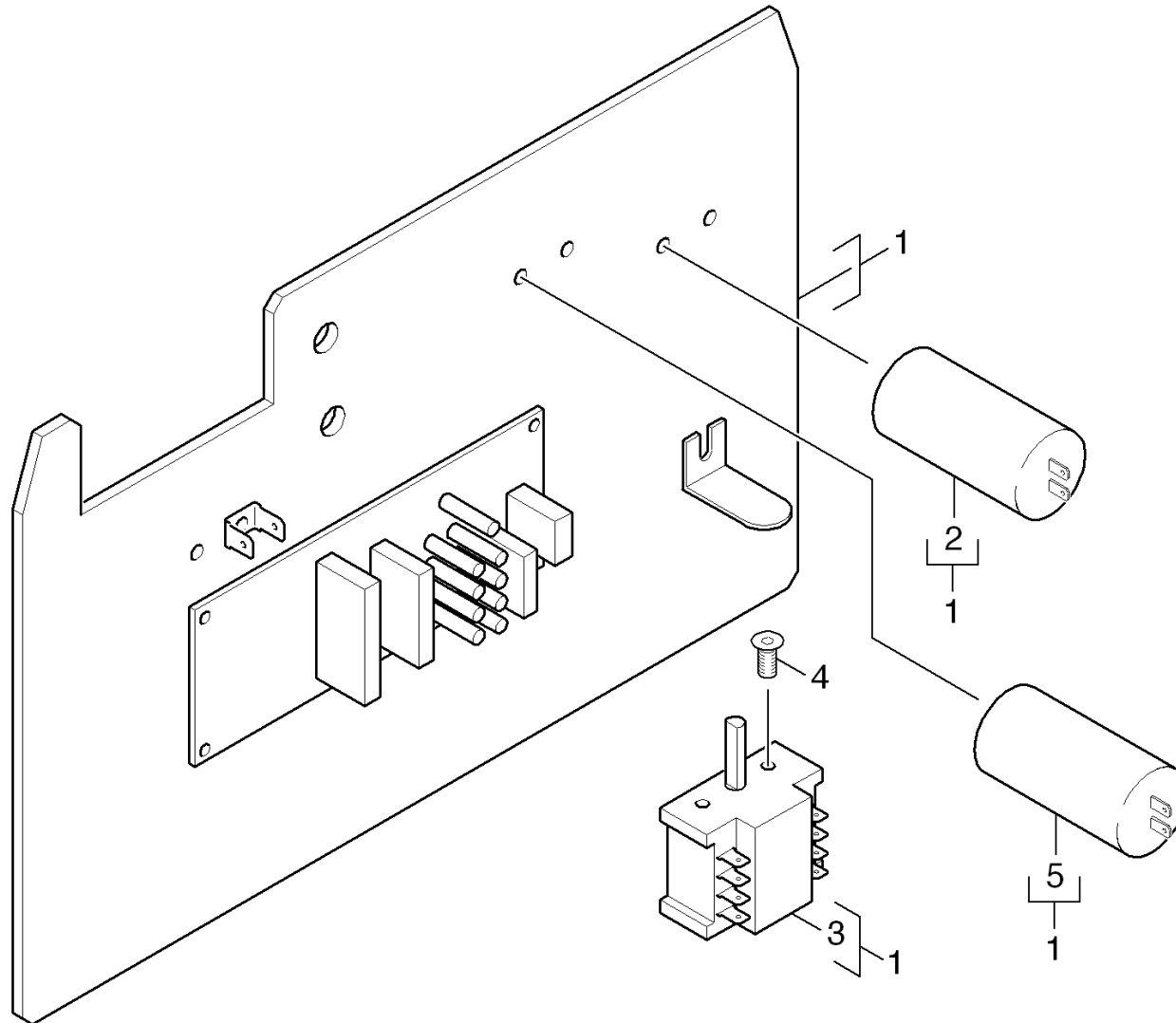
## 4.1 Control system Compact 16



## 4.1 Control system Compact 16

POS	DESCRIPTION ADDITIONAL INFORMATIONS	PART NO	QTY.	FROM SER.NR.	UP TO SER. NR.
0	Housing switch 120V 60Hz	46050850	1		
1	Screw 5x25-IN6RD	63032000	2		
2	HOUSING	50315070	1		
3	Sheet metal screw ST3,5X16-ST-A2R (IN6R	73030630	6		
4	Cap	66316180	2		
5	PLUG	63683110	1		
6	HELICAL SPRING	53324470	1		
7	Screw 3,5x12 -A2-70-bk (In6Rd)	73031020	4		
8	CABLE CLAMP	63733190	2		
9	Cable replacement	46490110	1		
10	HOUSING	40310120	1		
11	Main switch 120V 60Hz	66304080	1		
12	HELICAL SPRING	53324620	1		
13	INSULATING HOUSING 6,3	66480940	1		
14	CABLE TREE M.STECKER	48221060	1		

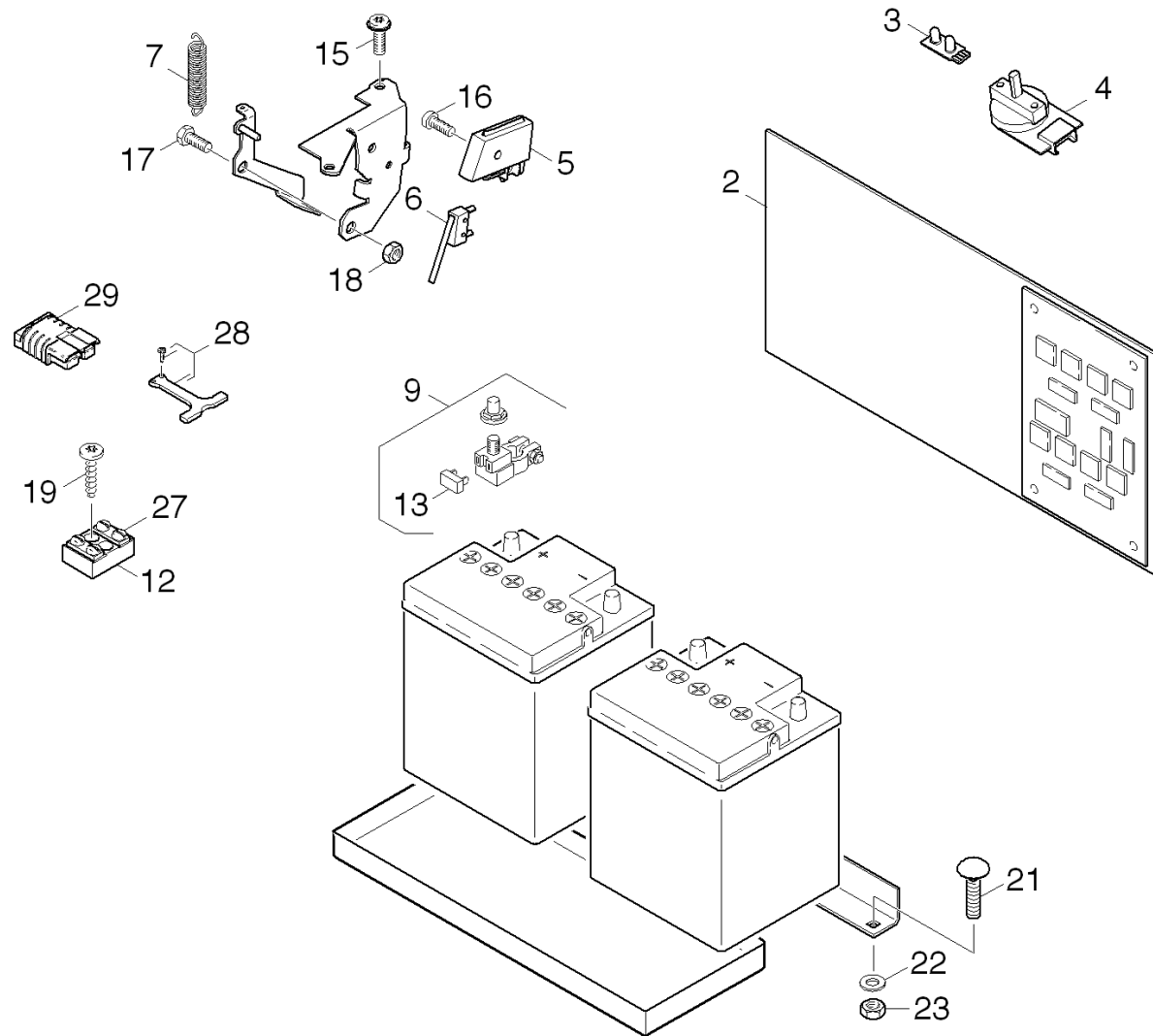
## 4.2 Electric equipment Compact 16



## 4.2 Electric equipment Compact 16

POS	DESCRIPTION <a href="#">ADDITIONAL INFORMATIONS</a>	PART NO	QTY.	FROM SER.NR.	UP TO SER. NR.
1	Electric equipment AWG BD 40/25Ep	28160910	1		
2	CAPACITOR	66612200	1		
3	Switch mains	66303910	1		
4	Countersunk screw M4x12 -A2-70-s (IN6RD	73050360	2		
5	CAPACITOR 30 MF	66612280	1		

### 4.3 Electricics Compact 16 SP



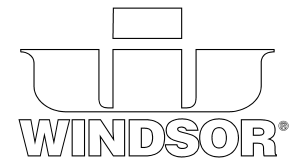
### 4.3 Electricics Compact 16 SP

POS	DESCRIPTION ADDITIONAL INFORMATIONS	PART NO	QTY.	FROM SER.NR.	UP TO SER. NR.
2	Electronics BR/BD 40/25 Bp	66827770	1		
3	Circuit board LED BR/BD 40/25	66827760	1		
4	Switch program selection	66303870	1		
5	Housing micro switch	50609980	1		
6	MICRO SWITCH	66303310	1		
7	SPRING	63300110	1		
9	Pole binder single 75A	66439540	1		
12	Strip terminal (+7.306-067.0)	66438400	1		
13	Fuse replacement 75A	66443620	1		
15	Screw 5x16 -10.9-P2R (K-In6Rd)	73031070	1		
16	Screw 4x16 -10.9-R2R (K-In6Rd)	73031290	1		
17	Hexagonal head screw M 6x12-8.8-A2E ISO	73043820	1		
18	Hexagon nut M6 -04-A2E ISO 10511	73114250	1		
19	Screw 5x20 -A2-70 (In6Rd)	73032120	1		
21	Saucer-head screw M6x20 -A2 DIN 603	73031390	2		
22	Washer 6-A2 ISO 7094	73122660	2		
23	Hexagon nut M 6-A2-70 ISO 7040	73110220	2		
27	Screw M 5x8-ST- 8.8-A2R (IN6RD)	73060670	4		
28	Hand grip SB50-HDL	63211920	1		
29	PLUG SB 50 RED	66461400	1		
30	Electronics SC16 (not shown) (Contoller & On-board charger Assy.)	66829320	1		

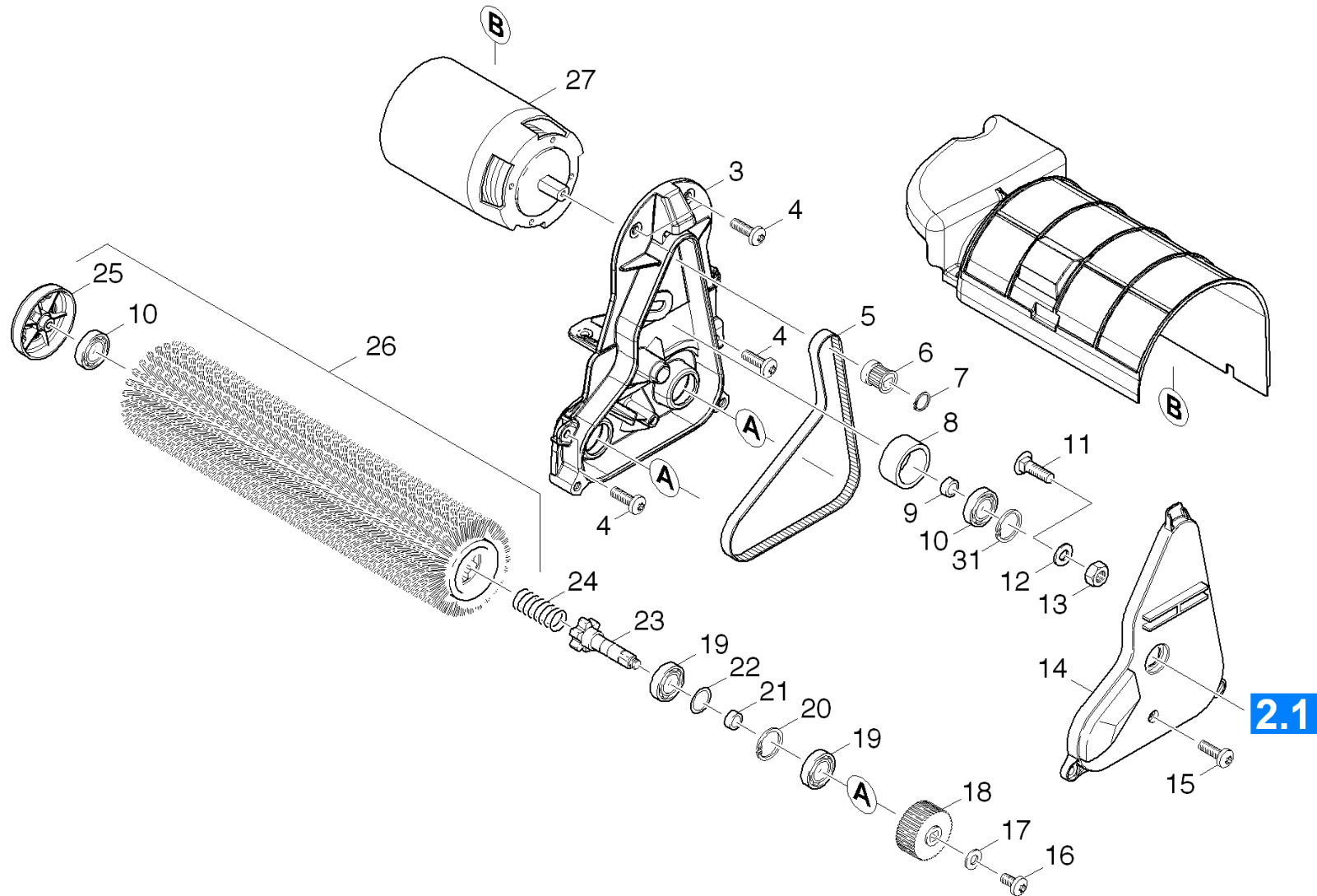
## 5.0 Brush-head

5.1 Brush-head Compact 16 SP

5.2 Brush-head Compact 16



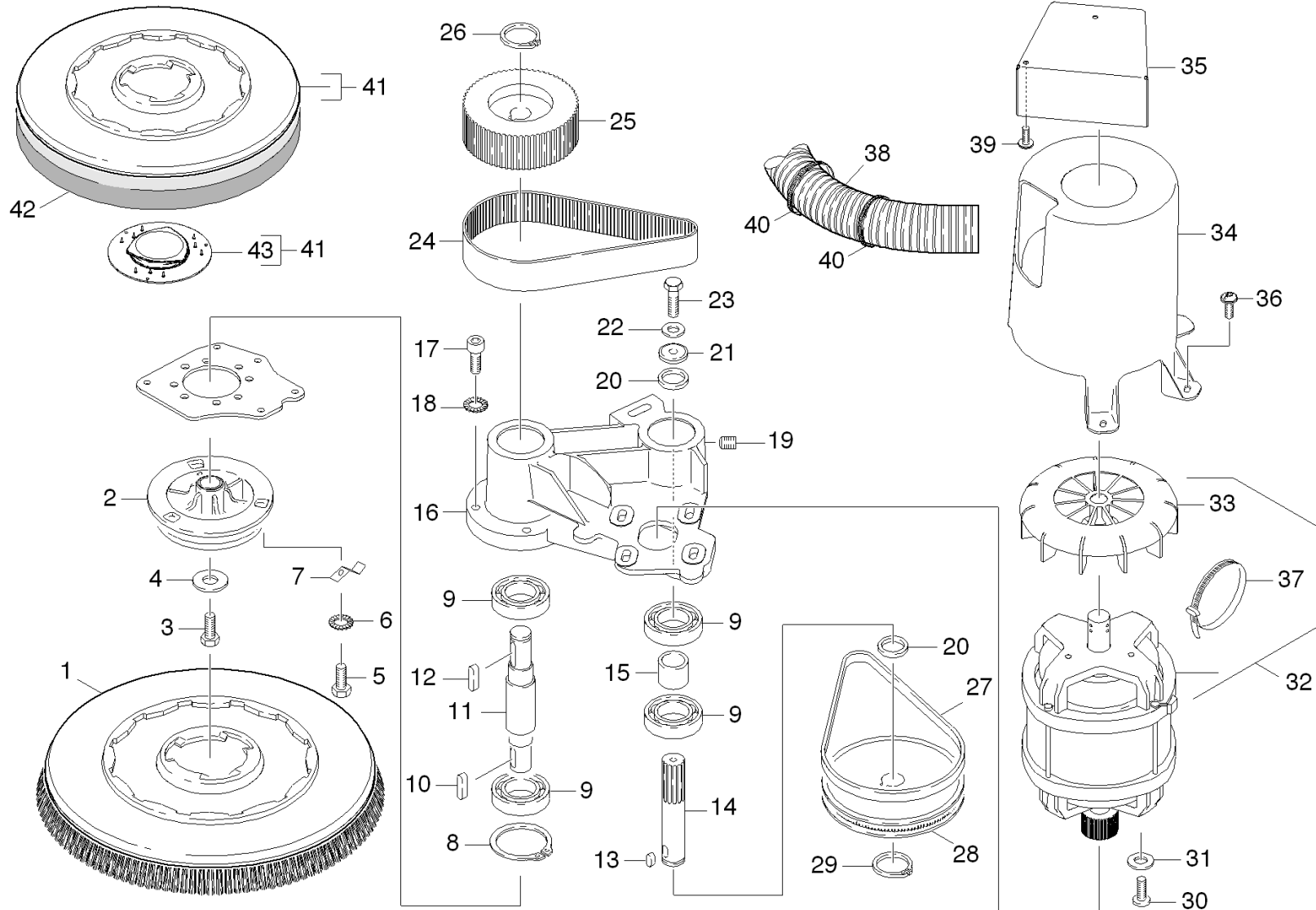
## 5.1 Brush-head Compact 16 SP



## 5.1 Brush-head Compact 16 SP

POS	DESCRIPTION ADDITIONAL INFORMATIONS	PART NO	QTY.	FROM SER.NR.	UP TO SER. NR.
3	Gear case replacement	40930010	1		
4	Screw M6x20 -A2-70 (In6Rd)	73061940	4		
5	Toothed belt HTD-570-3M-15 CXPIII	63484170	1		
6	PULLEY 21Z	56253180	1		
7	Locking ring 12x1-Rf-St DIN 471	73430030	1		
8	Tension roller gear BR 40/25	53171260	1		
9	Spacer sleeve roller	51109950	1		
10	BALL BEARING	64013630	2		
11	Saucer-head screw M8x25-St-AOP DIN 603	73031940	1		
12	Washer 8-A2 ISO 7089	73120170	1		
13	Hexagon nut M 8-8-A2E ISO 7040	73115100	1		
14	Covering cap gear	50326320	1		
15	Screw M6x16 -St-R3R (In6Rd)	73030470	3		
16	Screw M6x12 -8.8-R3R (In6Rd)	73060870	2		
17	Washer 6 -200HV-A2E ISO7093-1	73122760	2		
18	Belt pulley 56Z HTD 3M	56253570	2		
19	Ball bearing 6002-2RS -WAE LZLAGST DIN 62	74011150	4		
20	Locking ring 32x1,2 -St-ph DIN 472	73432310	2		
21	Spacer sleeve bearing	51109960	2		
22	Joint ring NILOS 6002	63632920	2		
23	Shaft brush transmission replacement	51004940	2		
24	HELICAL SPRING	53321140	2		
25	Sheet metal component thread deflector	40386770	2		
26	Roller brush white (old colour black)	47622500	2		
26	Roller brush multicoloured	47624290	1		
27	Direct current motor	66130940	1		
31	Locking ring 28x1,2-FST-RF DIN 472	73431510	1		

## 5.2 Brush-head Compact 16



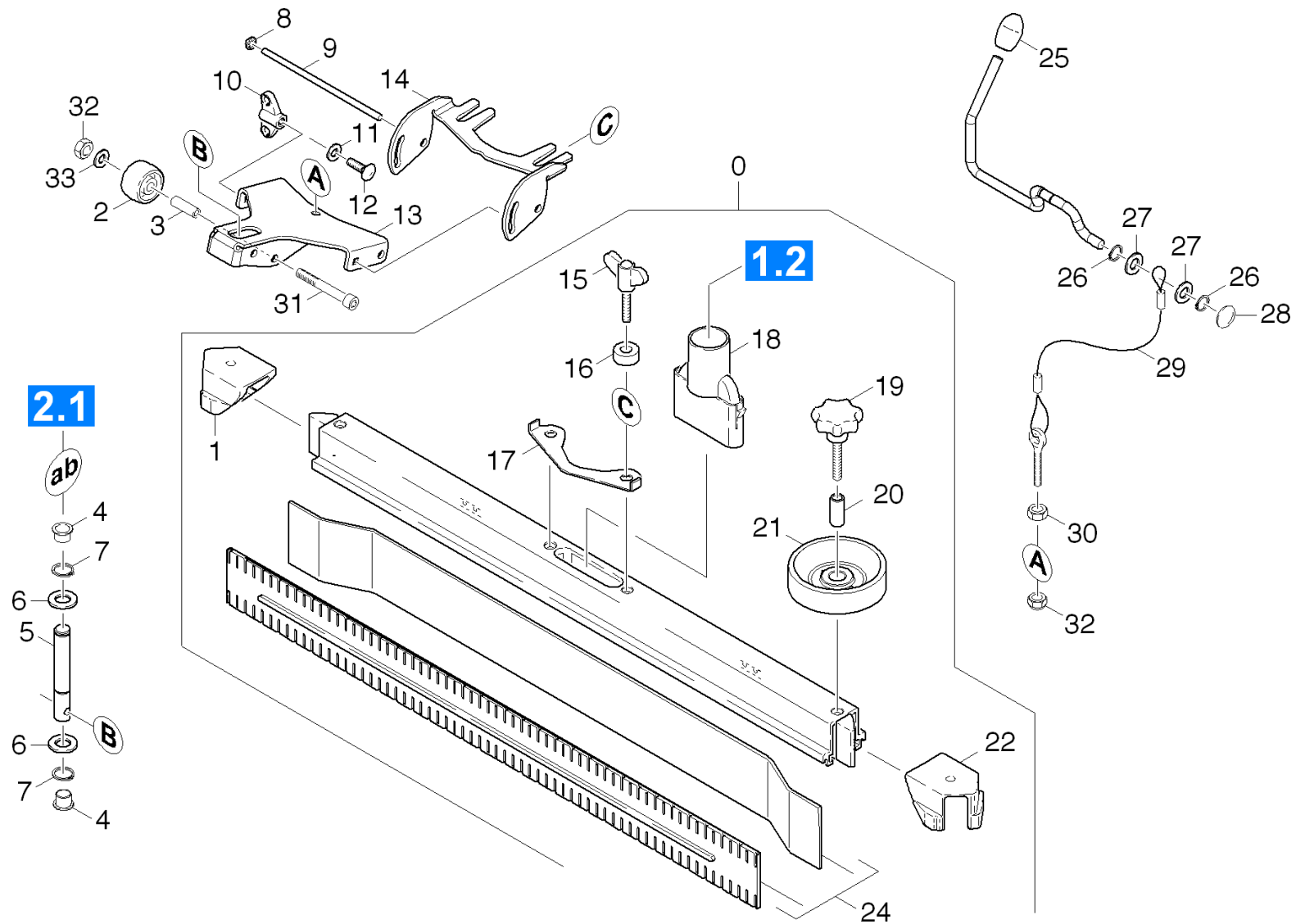
## 5.2 Brush-head Compact 16

POS	DESCRIPTION ADDITIONAL INFORMATIONS	PART NO	QTY.	FROM SER.NR.	UP TO SER. NR.
1	Disc brush black (old colour grey)	69064910	1		
1	BRUSH NATURE	69064920	1		
1	Disc brush white (old colour black)	69067520	1		
1	Disc brush multicoloured	69069330	1		
2	Flange	51222930	1		
3	Hexagonal head screw M8x16-A4-70 ISO 40	73045380	1		
4	Washer 8 -A2 ISO 7094	73122680	1		
5	Screw M5x6 -A2-70 (In6Rd)	73062130	3		
6	Serrated lock washer A5,3-1.4310 DIN 67	73120410	3		
7	Plate spring	53370330	3		
8	Locking ring 47x1,75 -St-ph DIN 472	73431150	1		
9	Ball bearing 6204-2RS-WAELZLAGST DIN 625	74011730	4		
10	Parallel key 6x6x25 -C45R DIN 6885-1	73180300	1		
11	SHAFT 1 RIEMENGETR.	51003780	1		
12	Parallel key 6x6x28 -C45R DIN 6885-1	73180310	1		
13	Parallel key 6x6x12 -C45R DIN 6885-1	73180040	1		
14	SHAFT 2 RIEMENGETRIEBE	51003790	1		
15	BUSH	51126190	1		
16	Holder gear belt BD 530	50446430	1		
17	Screw M8x20 -St-A3R (In6Rd)	73030680	4		
18	Serrated lock washer A8,4-1.4310 DIN679	73120220	4		
19	Threaded pin M10X 12-A1-50 ISO 7435	73073010	1		
20	Bush	51126160	2		
21	BORDSCHEIBE	51159130	1		
22	Washer 6 -200HV-A3E ISO 7090	73120030	1		
23	Screw M6x10 -A2-70 (In6Rd)	73061910	1		
24	TOOTHED BELT	63483840	1		
25	LOCK WASHER 63Z	56254020	1		
26	Locking ring 18x1,2-Rf-St DIN 471	73430180	1		
27	TOOTHED BELT	63483830	1		
28	LOCK WASHER 125Z	56254030	1		

## 5.2 Brush-head Compact 16

POS	DESCRIPTION ADDITIONAL INFORMATIONS	PART NO	QTY.	FROM SER.NR.	UP TO SER. NR.
29	Locking ring 20x1,2-FST-RF DIN 471	73430070	1		
30	Screw M6x20-ST- 8.8-A3R (IN6RD)	73060920	4		
31	Washer 6 -A2 ISO 7093-1	73122920	4		
32	Motor replacement BD 40/25 Ep 120V	46237850	1		
33	BLOWER WHEEL	66127640	1		
34	Air circulation	56920780	1		
35	Plate air circulation BD *USA	50089580	1		
36	Screw 5x50 -10.9-R2R (K-In6Rd)	73031110	3		
37	Cable tie 3,6x140	66490250	1		
38	Hose air circulation BD	63914610	1		
39	Screw 5x16 -10.9-P2R (K-In6Rd)	73031070	2		
40	CABLE TIE	66470810	2		
41	Disk pad BD 40/25	69069640	1		
42	POLISHING PAD SCHWARZ	63697890	1		
42	POLISHING PAD GRUEN	63697900	1		
42	POLISHING PAD ROT	63697910	1		
42	Pad microfibre	63710780	1		
43	Centerlock	69068380	1		

## 6.0 Suction bar



## 6.0 Suction bar

POS	DESCRIPTION ADDITIONAL INFORMATIONS	PART NO	QTY.	FROM SER.NR.	UP TO SER. NR.
0	Suction bar straight	47770640	1		
1	End piece right	50319910	1		
2	ROLLER	54350040	1		
3	Bush	51126330	1		
4	BEARING BUSH	64374840	2		
5	Bolt suction bar	53171300	1		
6	Washer 16 -A2 ISO 7090	73120570	2		
7	Lock washer 12-St-A2E DIN 6799	73433060	1		
8	Lock washer 8	63431320	2		
9	Bar	51072020	1		
10	Wing nut M 6	63101290	1		
11	Washer 6 -A2 ISO 7093-1	73122920	1		
12	Saucer-head screw M6x20 -A2 DIN 603	73031390	1		
13	Holder suction bar	50447230	1		
14	Rocker suction bar	50589870	1		
15	Wing screw M8x40 VA	53052960	2		
16	Sleeve VA	51128100	2		
17	Plate	50072170	1		
18	CONNECTING PIECE	50319890	1		
19	Star grip VA	63212110	2		
20	Sleeve suction bar in VA	50942310	2		
21	Deflector roll suction bar	55152670	2		
22	End piece left	50319900	1		
24	Rubber lip set standard	62732530	1		
24	Rubber lip set oil resistant	62732540	1		
24	Rubber lip set anti stripe oil resistant	62732620	1		
25	HANDLE	63211850	1		
26	Lock washer 9-St-ph DIN 6799	73432050	2		
27	Washer 10-200HV-A3E ISO 7090	73120050	2		
28	QUICK-FASTENER	63431910	1		
29	Rope complete	41720240	1		
30	Hexagon nut M 8-04-A2E ISO 4035	73112240	1		

## 6.0 Suction bar

POS	DESCRIPTION <a href="#">ADDITIONAL INFORMATIONS</a>	PART NO	QTY.	FROM SER.NR.	UP TO SER. NR.
31	Cylinder head screw M8x55 -A4-70 ISO 47	73062220	2		
32	Hexagon nut M8 -04-A2E ISO 10511	73114270	3		
33	Washer 8-A2 ISO 7089	73120170	2		