



Electronic Service Manuals

This electronic document is provided as a service to our customers. We do not create the contents of the information contained in this document. Should you have detailed questions pertaining to the information contained in this document, you may contact Michco, or the manufacturer which provided the original information in this electronic deliverable. Michco's only part in this electronic deliverable was the electronic assembly process. By providing this manual on line we are not guaranteeing parts availability.

You may contact Michco through the following methods:

Phone (517) 484-9312 or (800) 331-3339

2011 N. High St. -- Lansing, Michigan -- 48906

Fax: (517) 484-9836

Email: CustServe@Michco.com

Web site: www.Michco.Com

Parts Web site: www.FloorMachineParts.Com

Order Parts on Line at:

www.FloorMachineParts.Com

Directly to Parts & Service:

By Email: **Shop@Michco.com**

By Fax: (517) 702-2041

By Voice: Use numbers above.

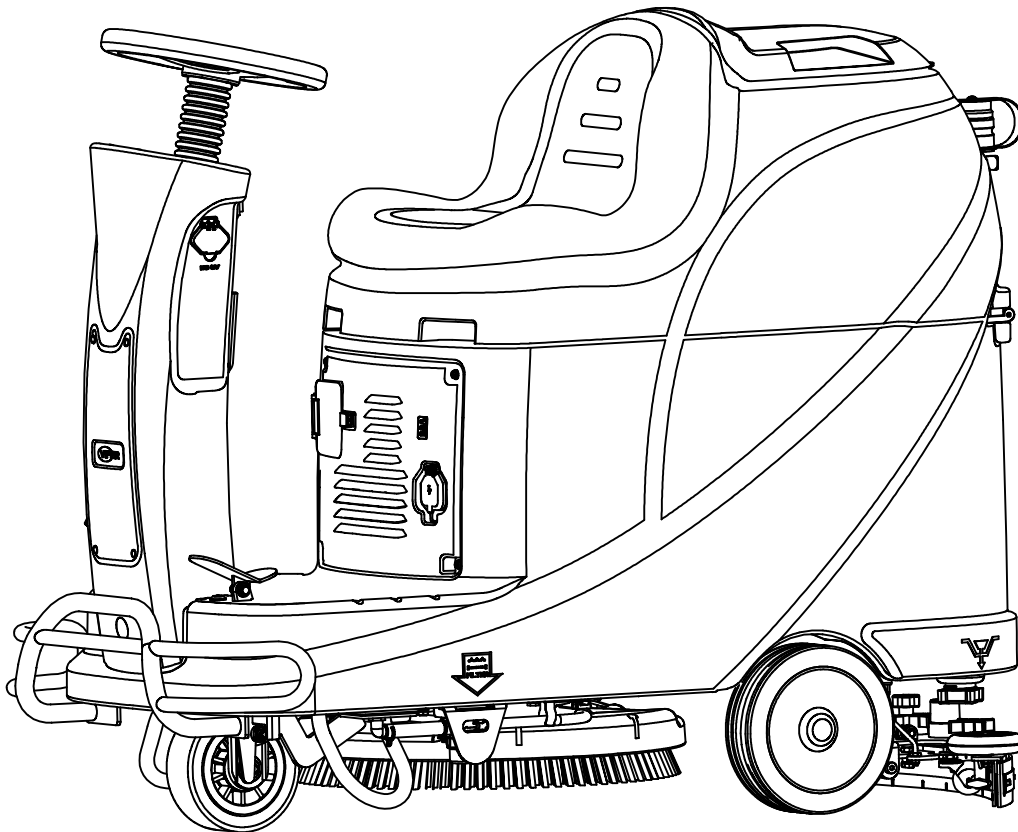
Serving the Cleaning Industry Since 1922

Notice: All copyrighted material remains property of original owners, all trademarks are property of respective owners. Manuals are subject to Manufacturer's reproduction limitations. Originals or reproductions were provided by manufacturers through a request. We make no warranty as to the correctness of information provided in this document and you assume all risk. By placing these manuals on line we are not declaring our corporation to be an manufacturer authorized dealer or provider, please check our web site for authorized manufacturers we represent.



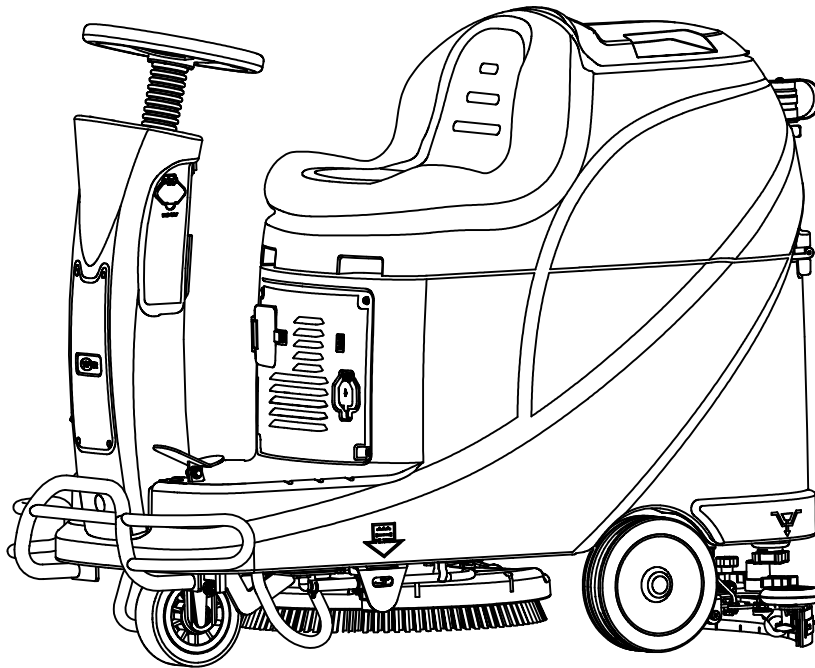
Ride-on Scrubbers Part List

AS530R



PART LIST

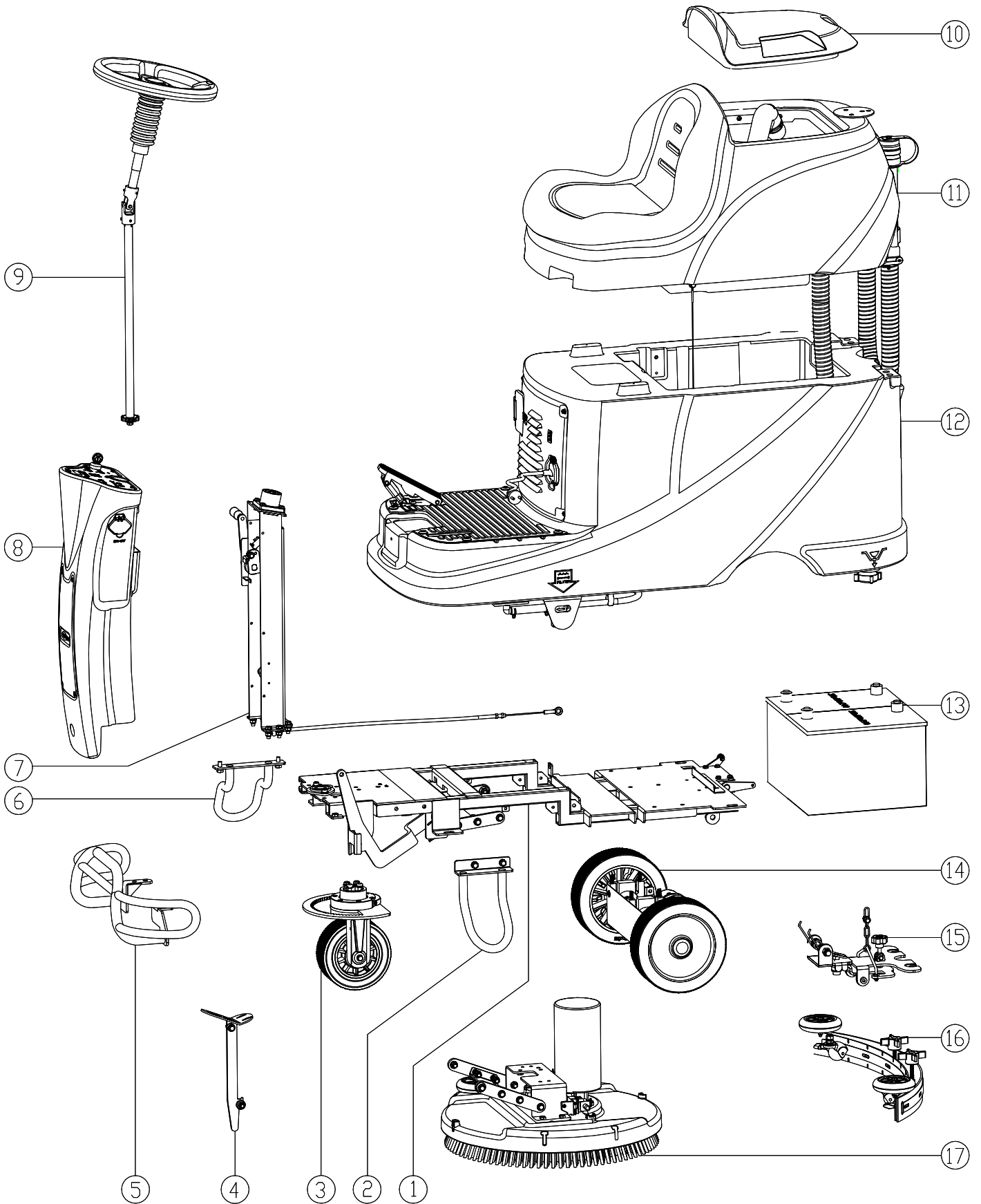
TABLE OF CONTENTS



| Description | Page |
|-------------------------------------|-------|
| COMPLETE ASSEMBLY | 2-3 |
| CHASSIS AND BUMPER ASSEMBLY | 4-5 |
| FRONT WHEEL ASSEMBLY | 6-7 |
| DRIVE MOTOR AND REAR WHEEL ASSEMBLY | 8-9 |
| DIRECTION CONTROL ASSEMBLY | 10-11 |
| FRONT MAIN FRAME ASSEMBLY | 12-13 |
| CONTROL HOUSING ASSEMBLY | 14-15 |
| BRUSH ASSEMBLY | 16-17 |
| SOLUTION TANK ASSEMBLY | 18-19 |
| ELECTRIC PARTS ASSEMBLY | 20-21 |
| RECOVERY TANK ASSEMBLY | 22-23 |
| SQUEEGEE BRACKET ASSEMBLY | 24-25 |
| SQUEEGEE ASSEMBLY | 26-27 |
| ELECTRIC PARTS | 28-29 |
| OTHER ELECTRIC PARTS ASSEMBLY | 30-31 |
| MOTOR SPEED CONTROLLER CONNECT WIRE | 32-32 |
| MAIN CONECTION WIRE | 33-33 |
| WEAR AND TEAR PARTS | 34-35 |
| WIRING DIAGRAM | 36-36 |

PART LIST

COMPLETE ASSEMBLY



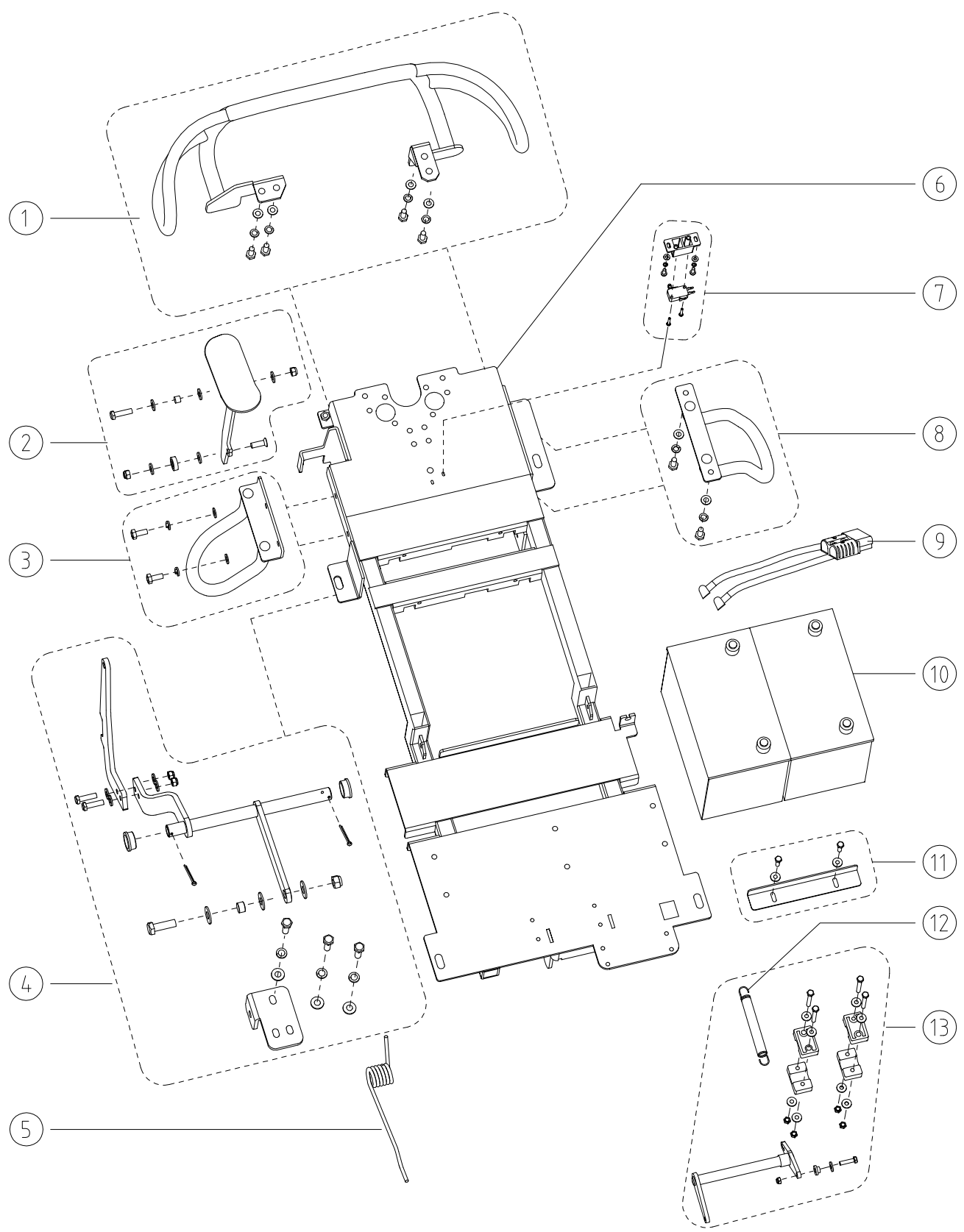
PART LIST

COMPLETE ASSEMBLY

| Item | Description | Qty |
|-------------|-------------------------------------|------------|
| 1 | CHASSIS ASSEMBLY | 1 |
| 2 | LEFT BUMPER ASSEMBLY | 1 |
| 3 | FRONT WHEEL ASSEMBLY | 1 |
| 4 | BRUSH LIFTING PEDAL ASSEMBLY | 1 |
| 5 | KIT FRONT BUMPER | 1 |
| 6 | RIGHT BUMPER ASSEMBLY | 1 |
| 7 | FRONT MAIN FRAME ASSEMBLY | 1 |
| 8 | FRONT HOUSING ASSEMBLY | 1 |
| 9 | DIRECTION CONTROL ASSEMBLY | 1 |
| 10 | RECOVERY TANK COVER ASSEMBLY | 1 |
| 11 | RECVOERY TANK ASSEMBLY | 1 |
| 12 | SOLUTION TANK ASSEMBLY | 1 |
| 13 | BATTERIES | 2 |
| 14 | DRIVE MOTOR AND REAR WHEEL ASSEMBLY | 1 |
| 15 | SQUEEGEE BRACKET ASSEMBLY | 1 |
| 16 | SQUEEGEE ASSEMBLY | 1 |
| 17 | BRUSH ASSEMBLY | 1 |

PART LIST

CHASSIS AND BUMPER ASSEMBLY



PART LIST

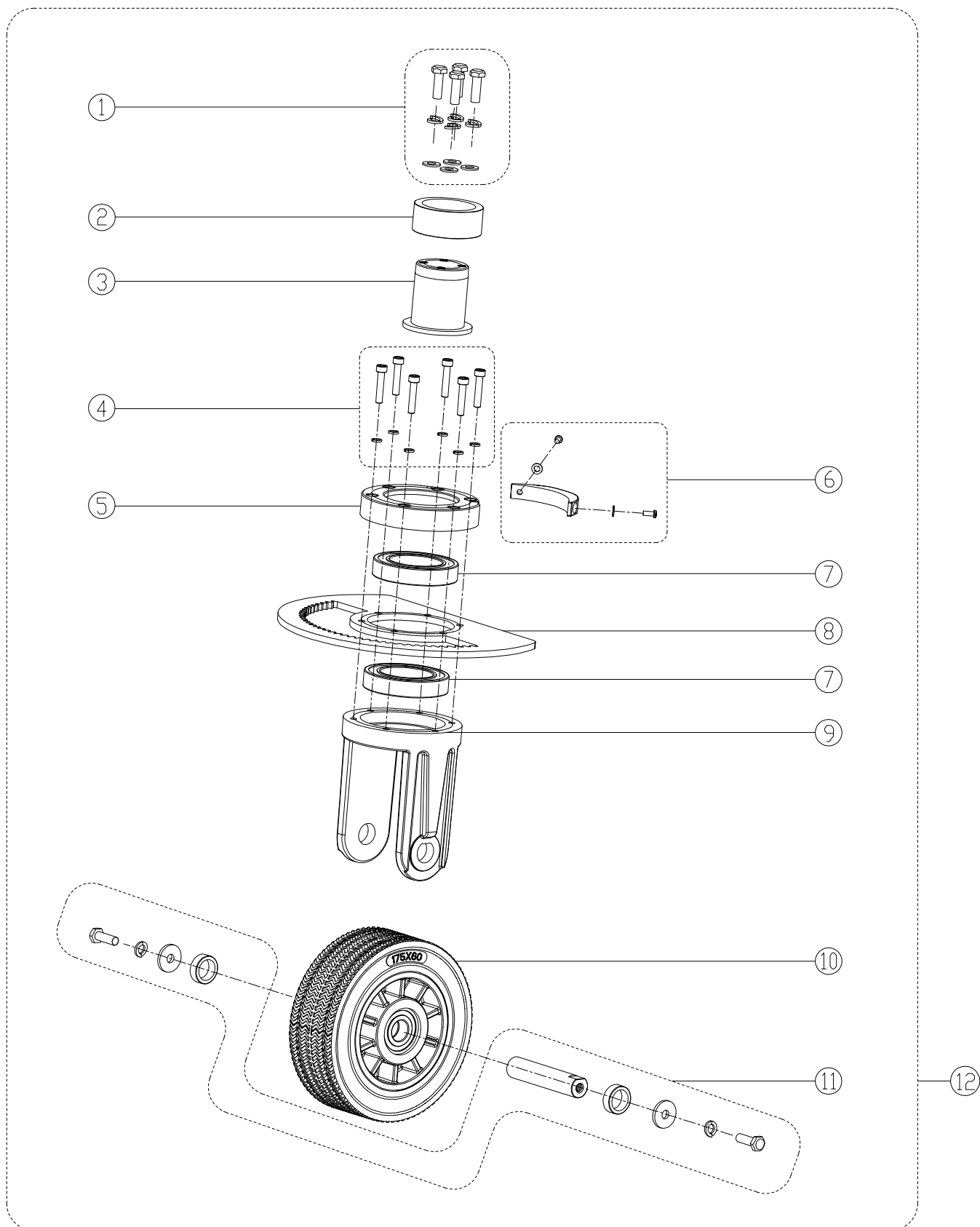
CHASSIS AND BUMPER ASSEMBLY

| Item | Part No. | Description | Qty |
|------|----------|----------------------------------|-----|
| 1 | VR23055 | FRONT BUMPER KIT | 1 |
| 2 | VR25017 | BRUSH LIFT PEDAL KIT | 1 |
| 3 | VR23056 | LEFT BUMPER KIT | 1 |
| 4 | VR25016 | ROTARY BRACKET KIT | 1 |
| * 5 | VR25027 | SPRING | 1 |
| 6 | VR23000 | CHASSIS | 1 |
| 7 | VR23057 | MICROSWITCH KIT | 1 |
| 8 | VR23058 | RIGHT BUMPER KIT | 1 |
| 9 | VS10206 | BATTERY CONNECTIONS | 1 |
| 10 | | BATTERIES | 1 |
| 11 | VR23060 | BATTERY BRACKET KIT | 1 |
| 12 | VR11003 | SQUEEGEE LIFT RESTORATION SPRING | 1 |
| 13 | VR23059 | SQUEEGEE LIFT BRACKET KIT | 1 |

* ONLY FOR AS530R-US .

PART LIST

FRONT WHEEL ASSEMBLY



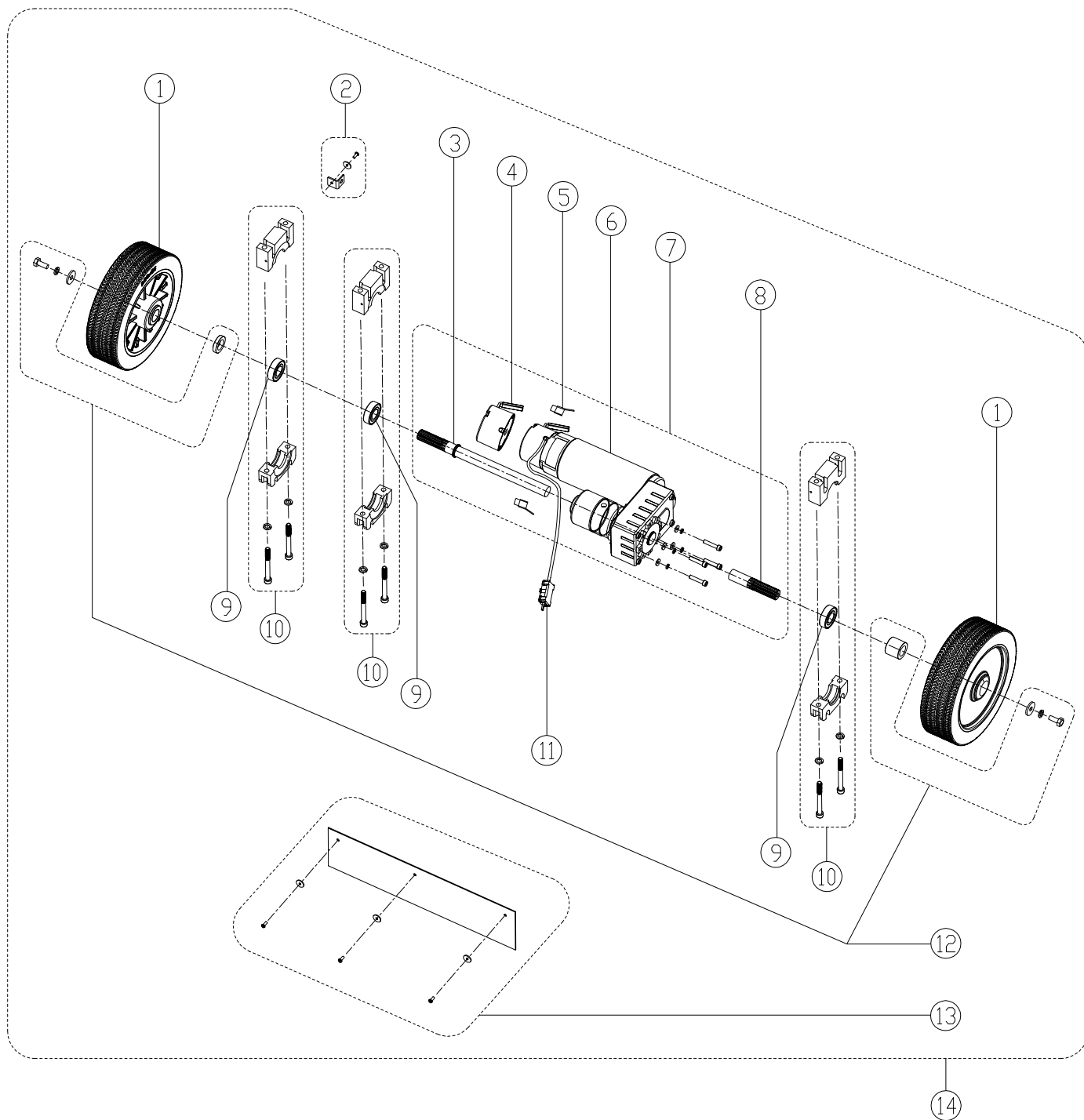
PART LIST

FRONT WHEEL ASSEMBLY

| Item | Part No. | Description | Qty |
|-------------|-----------------|----------------------------------|------------|
| 1 | VR23061 | KIT HARDWARE FIXED PILLARS | 1 |
| 2 | VR23036 | FRONT WHEEL WASHER | 1 |
| 3 | VR23035 | FRONT WHEEL FIXED PILLARS | 1 |
| 4 | VR23062 | KIT HARDWARE FRONT WHEEL BRACKET | 1 |
| 5 | VR23039 | FIXED BEARING RING | 1 |
| 6 | VR23047 | KIT CONTACTOR | 1 |
| 7 | VR23037 | BEARING | 2 |
| 8 | VR23034 | BIG GEAR | 1 |
| 9 | VR23031 | FRONT WHEEL BRACKET | 1 |
| 10 | VR23030 | FRONT WHEEL | 1 |
| 11 | VR23054 | KIT WHEEL FIXED | 1 |
| 12 | VR23043 | FRONT WHEEL ASSEMBLY | 1 |

PART LIST

DRIVE MOTOR AND REAR WHEEL ASSEMBLY

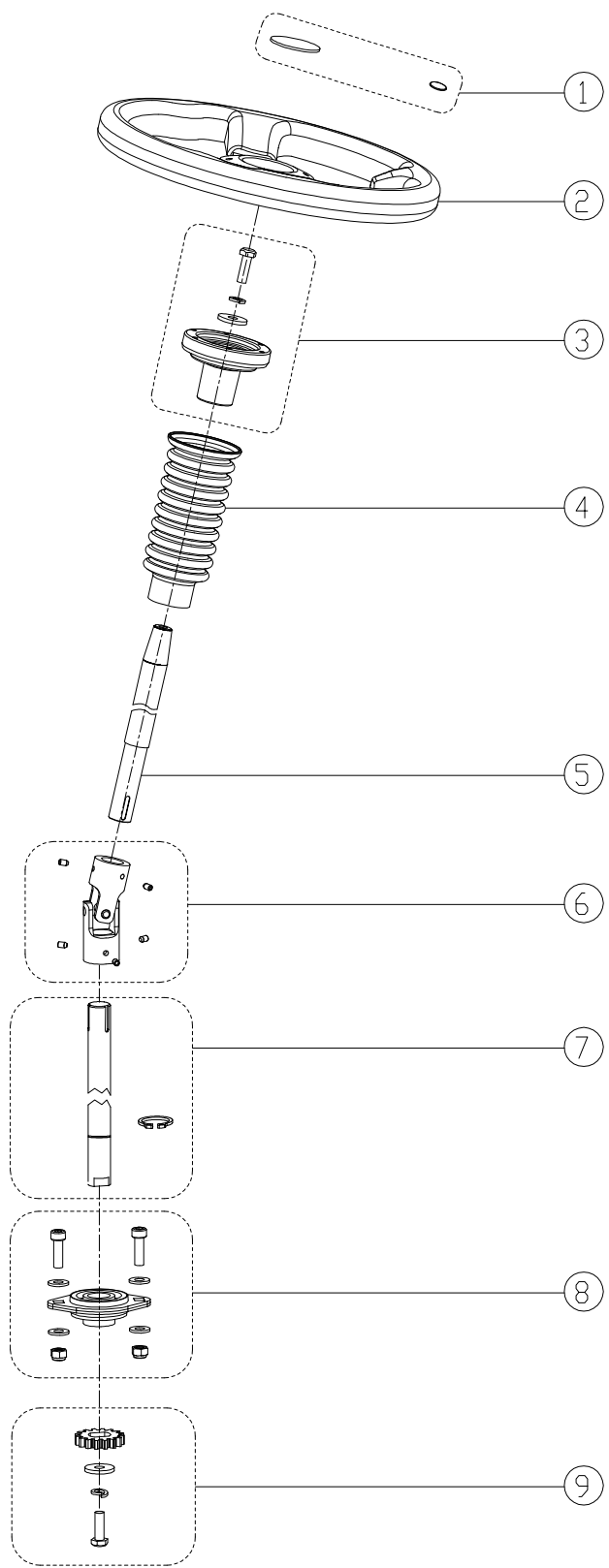


PART LIST

DRIVE MOTOR AND REAR WHEEL ASSEMBLY

| Item | Part No. | Description | Qty |
|-------------|-----------------|-------------------------------------|------------|
| 1 | VR23029 | REAR WHEEL | 2 |
| 2 | VR23048 | KIT HOOK BLOCK | 1 |
| 3 | VR27022 | MOTOR SHAFT(LONG) | 1 |
| 4 | VR27025 | KIT MOTOR BRAKE | 1 |
| 5 | VR27024 | CARBON BRUSH | 2 |
| 6 | VR27020 | MOTOR TRACTION | 1 |
| 7 | VR23049 | KIT MOTOR TRACTION | 1 |
| 8 | VR27023 | MOTOR SHAFT(SHORT) | 1 |
| 9 | VF14075 | BEARING | 3 |
| 10 | VR23050 | KIT TRACTION MOUNT | 3 |
| 11 | VR27100 | WATERPROOF CASE | 1 |
| 12 | VR23053 | KIT REAR WHEEL FIXED | 1 |
| 13 | VR23051 | KIT WATERPROOF BOARD | 1 |
| 14 | VR23044 | DRIVE MOTOR AND REAR WHEEL ASSEMBLY | 1 |

DIRECTION CONTROL ASSEMBLY

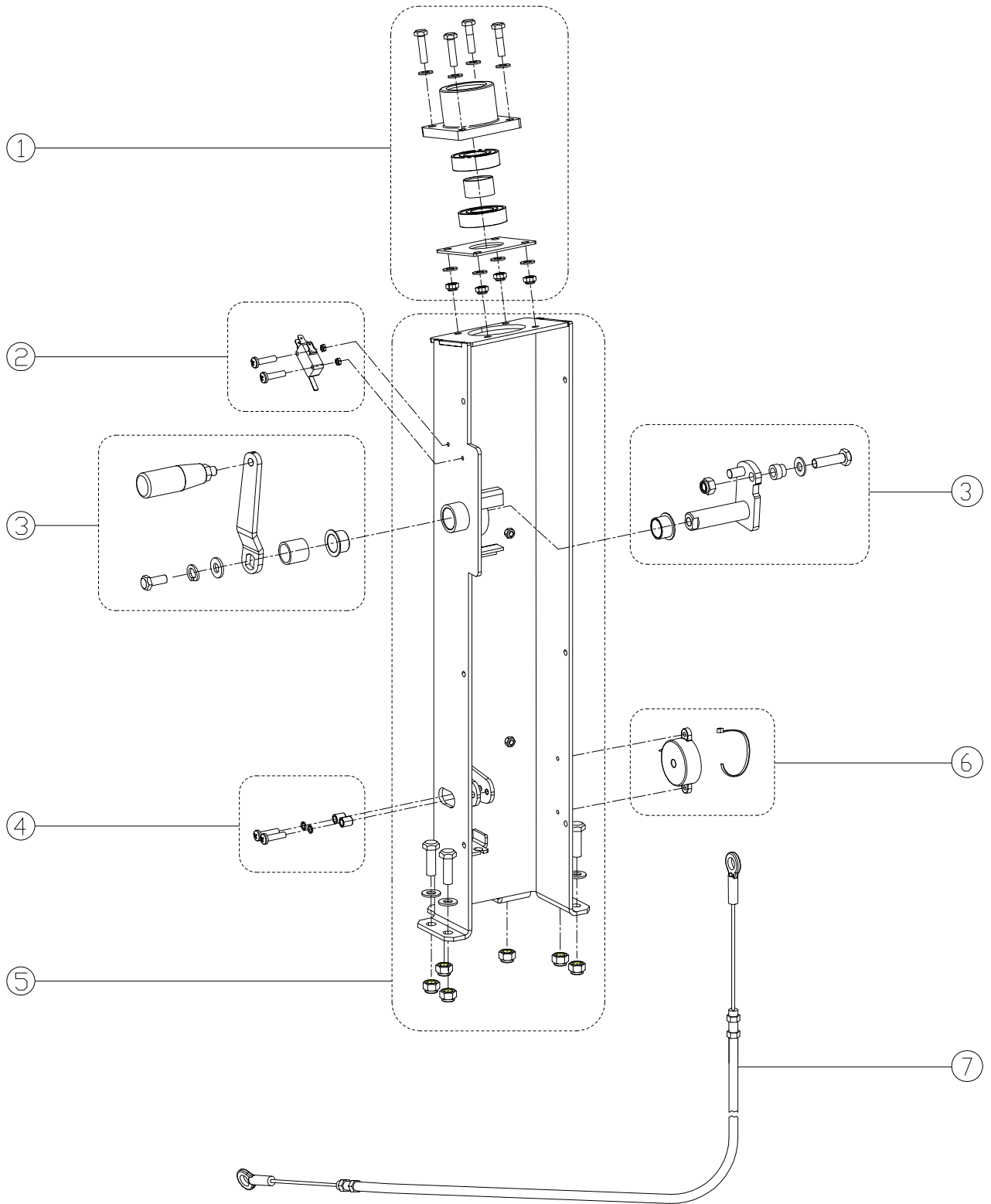


PART LIST

DIRECTION CONTROL ASSEMBLY

| Item | Part No. | Description | Qty |
|-------------|-----------------|-------------------------------|------------|
| 1 | VR2408 | KIT STEERING WHEEL LOGO | 1 |
| 2 | VR10016 | STEERING WHEEL | 1 |
| 3 | VR24085 | KIT STEERING WHEEL LOCK | 1 |
| 4 | VR24011 | RUBBER SLEEVE STEERING WHEEL | 1 |
| 5 | VR24010 | UP SHAFT STEERING WHEEL | 1 |
| 6 | VR10040 | KIT UNIVERSAL JOINT | 1 |
| 7 | VR24090 | KIT DOWN SHAFT STEERING WHEEL | 1 |
| 8 | VR24087 | KIT BEARING WITH BRACKET | 1 |
| 9 | VR24086 | KIT GEAR | 1 |

FRONT MAIN FRAME ASSEMBLY

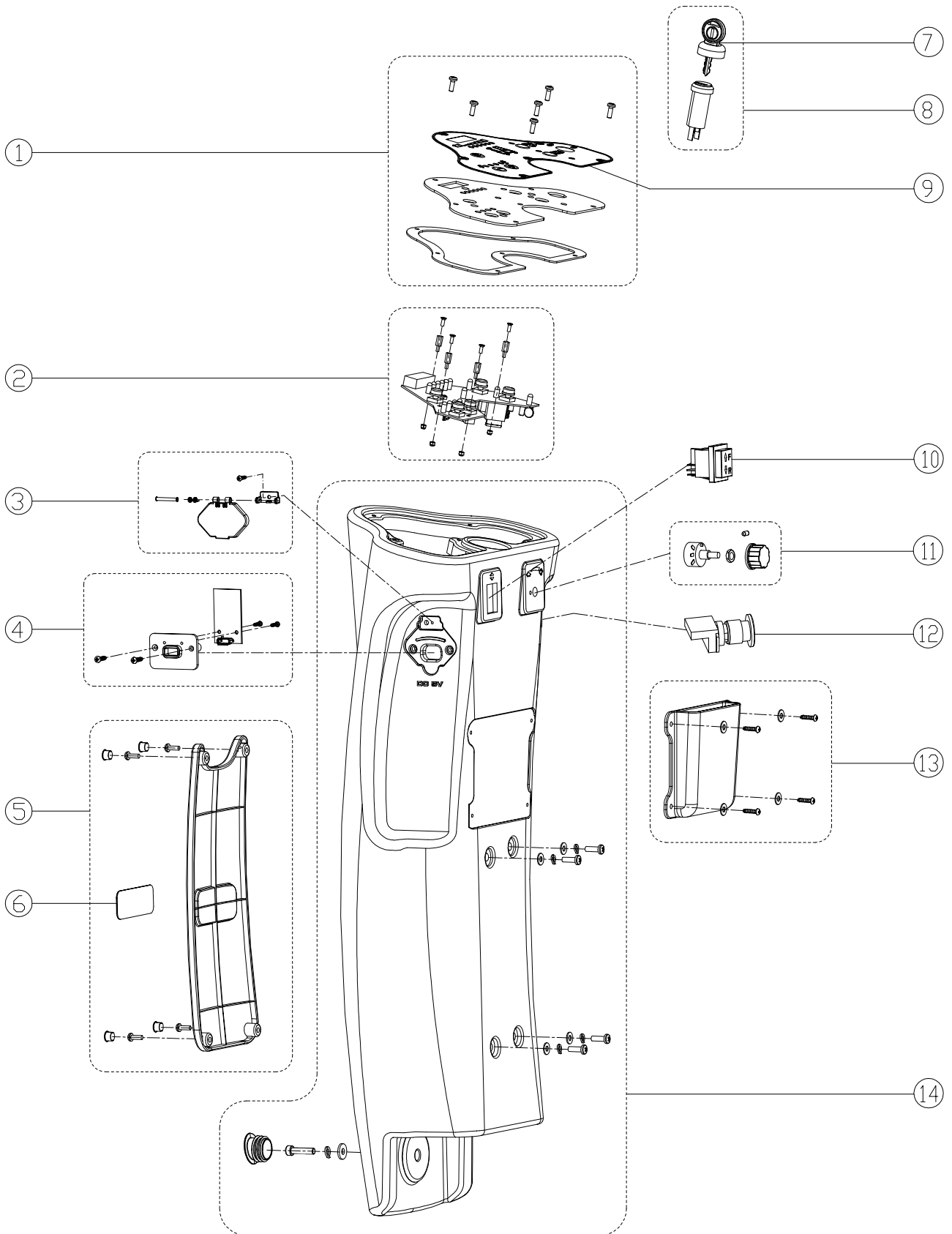


PART LIST

FRONT MAIN FRAME ASSEMBLY

| Item | Part No. | Description | Qty |
|-------------|-----------------|-------------------------------------|------------|
| 1 | VR24071 | KIT BEARING BASE | 1 |
| 2 | VR24072 | KIT SQUEEGEE SWITCH | 1 |
| 3 | VR24073 | KIT HANDLE SQUEEGEE LIFT | 1 |
| 4 | VR24074 | KIT CABLE GUIDE WHEEL SQUEEGEE LIFT | 1 |
| 5 | VR24075 | KIT FRONT FRAME | 1 |
| 6 | VR24076 | KIT HORN | 1 |
| 7 | VR24021 | CABLE SQUEEGEE LIFT | 1 |

CONTROL HOUSING ASSEMBLY

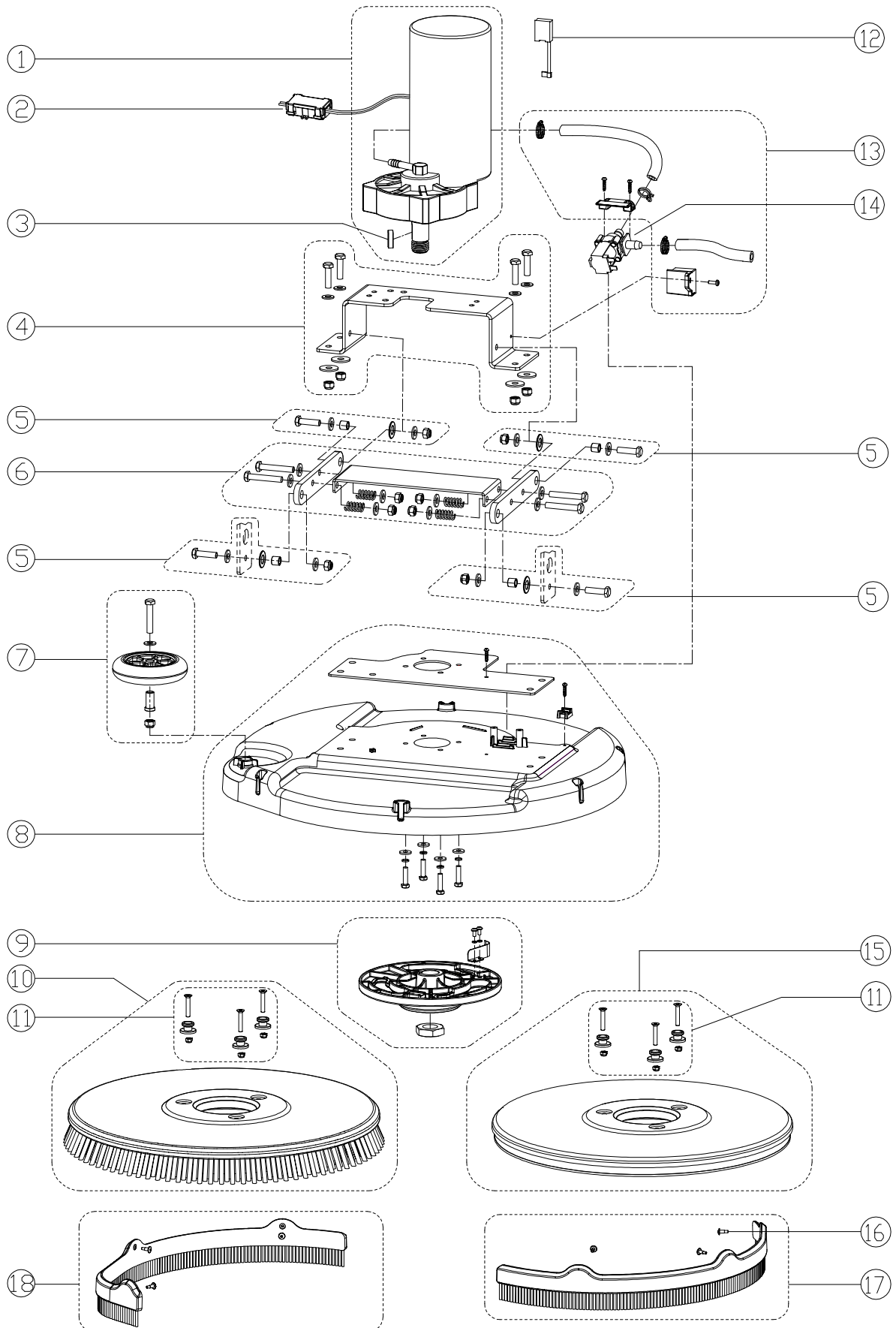


PART LIST

CONTROL HOUSING ASSEMBLY

| Item | Part No. | Description | Qty |
|------|--------------|---------------------------|-----|
| 1 | VR24077 | KIT CONTROL PANEL | 1 |
| 2 | VR24078 | KIT CONTROL PCB (EU) | 1 |
| | VR24089 | KIT CONTROL PCB (US) | 1 |
| 3 | VR15200 | KIT USB COVER | 1 |
| 4 | VR24080 | KIT USB PCB | 1 |
| 5 | VR24081 | KIT CONTROL HOUSING COVER | 1 |
| 6 | VR24022 | LOGO LABEL | 1 |
| 7 | 146 2887 000 | KEY | 1 |
| 8 | 9100001354 | KEY SWITCH | 1 |
| 9 | VR24001 | CONTROL PANEL DECAL | 1 |
| 10 | VR15110 | FORWARD OR REVERSE BUTTON | 1 |
| 11 | VR24079 | SPEED POTENTIOMETER | 1 |
| 12 | VR27172 | EMERGENCY-STOP BUTTON | 1 |
| 13 | VR24082 | KIT PHONE STORAGE | 1 |
| 14 | VR24083 | KIT CONTROL HOUSING | 1 |

BRUSH ASSEMBLY



PART LIST

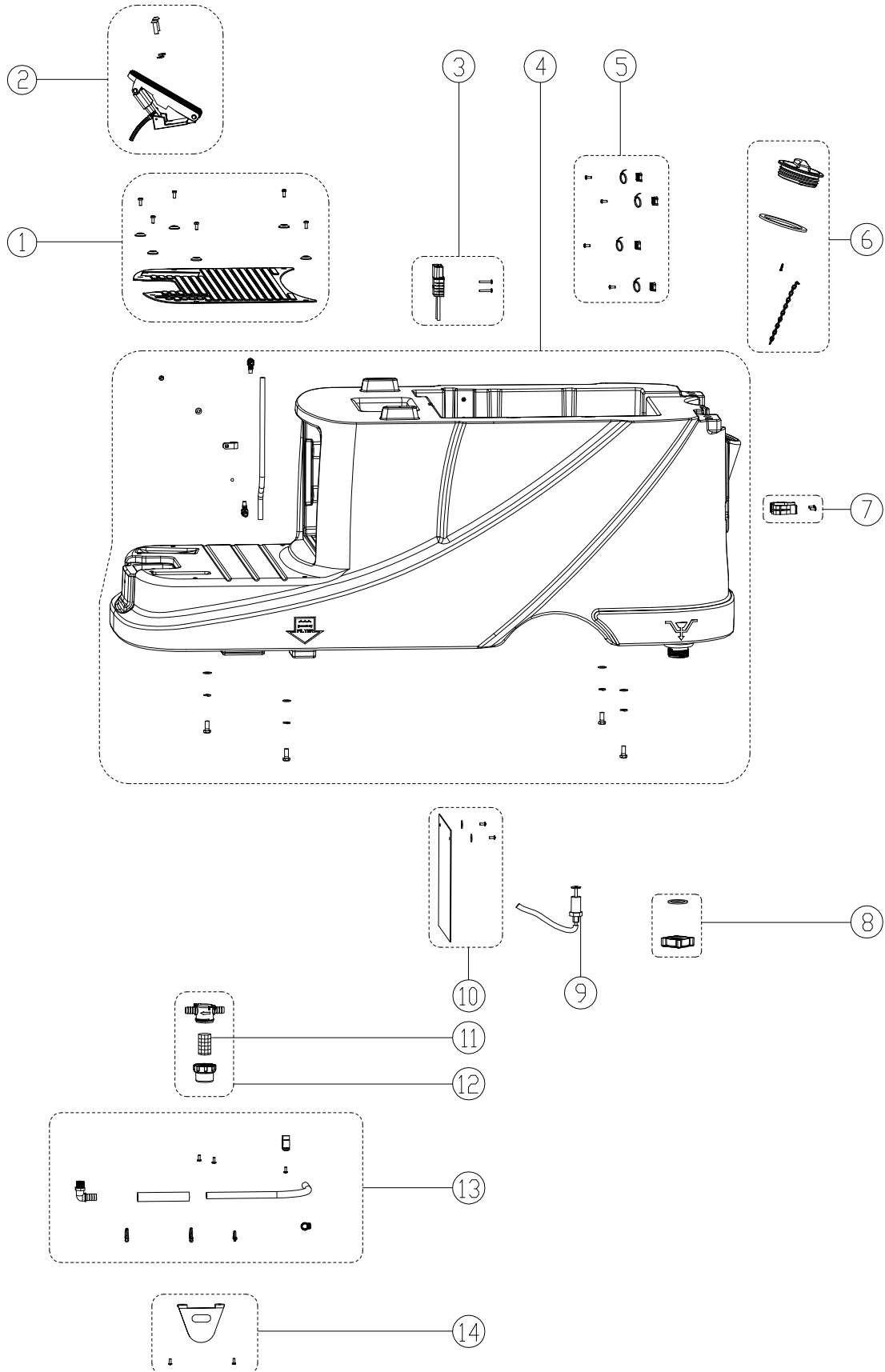
BRUSH ASSEMBLY

| Item | Part No. | Description | Qty |
|------|----------|--------------------------------|-----|
| 1 | VR27010 | KIT BRUSH MOTOR | 1 |
| 2 | VR27100 | WATERPROOF CASE | 1 |
| 3 | VR25013 | SHAFT KEY | 1 |
| 4 | VR25041 | KIT BRUSH LIFT PLATE | 1 |
| 5 | VR25042 | KIT BRUSH LIFT ARM CONNECTION | 1 |
| 6 | VR25043 | KIT BRUSH LIFT ARM | 1 |
| 7 | VR25044 | KIT BUMPER WHEEL | 1 |
| 8 | VR25045 | KIT BRUSH DECK | 1 |
| 9 | VR25046 | KIT PLATE DRIVE | 1 |
| 10 | VR25014 | KIT BRUSH | 1 |
| 11 | VF25048 | KIT BRUSH SCREW | 1 |
| 12 | VF89116 | CARBON BRUSH | 4 |
| 13 | VR25047 | TUBE KIT | 1 |
| 14 | VR25030 | SOLENOID VALVE | 1 |
| * 15 | VR25022 | PAD DRIVER 20" | 1 |
| 16 | VS10516 | STEP SCREW | 6 |
| * 17 | VR25026 | LEFT BRUSH SKIRT HEADWARE KIT | 1 |
| * 18 | VR25025 | RIGHT BRUSH SKIRT HEADWARE KIT | 1 |

* OPTIONAL FOR EU AND UK

PART LIST

SOLUTION TANK ASSEMBLY



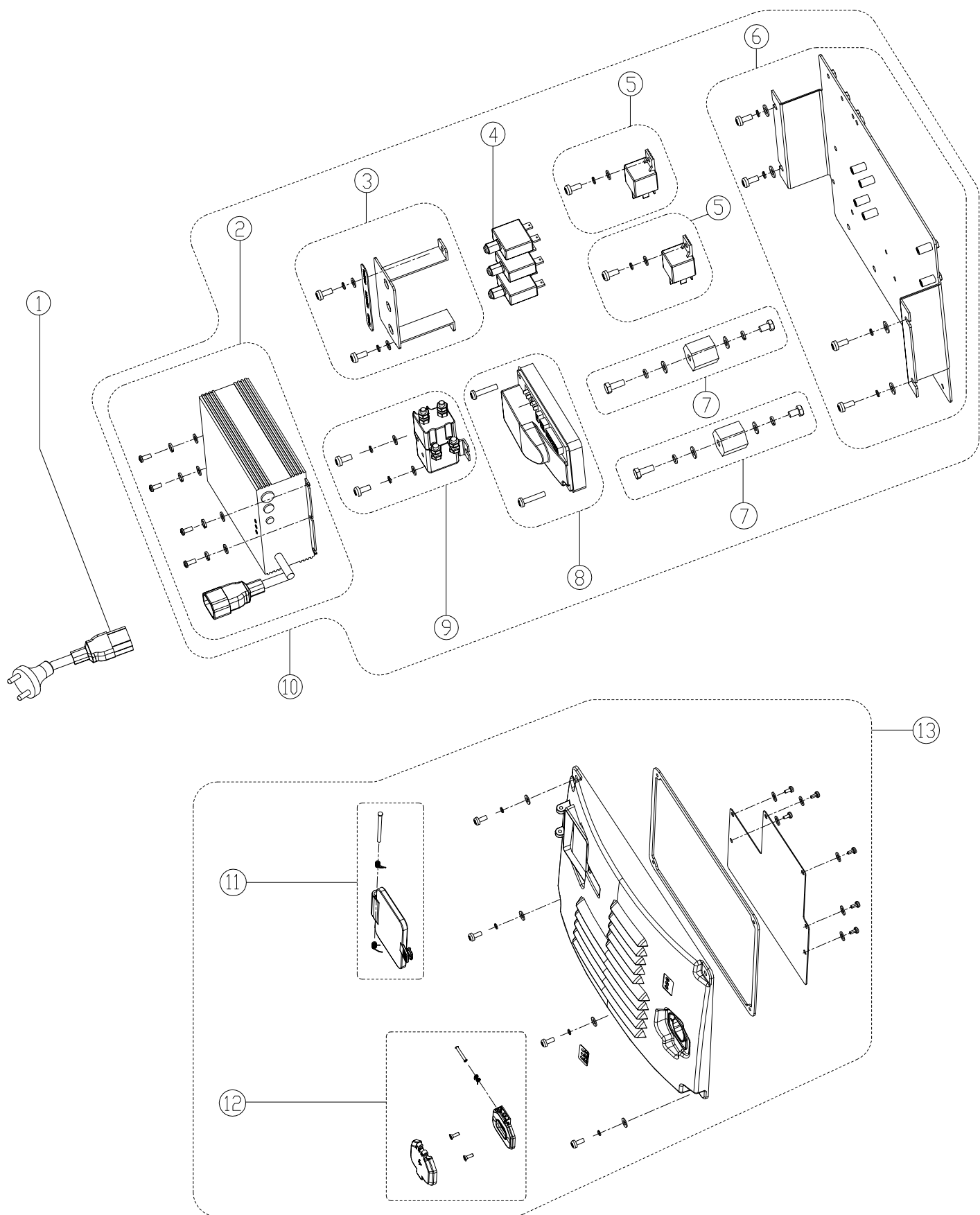
PART LIST

SOLUTION TANK ASSEMBLY

| Item | Part No. | Description | Qty |
|-------------|-----------------|----------------------------------|------------|
| 1 | VR21021 | KIT ANTI-SKID PLATE | 1 |
| 2 | VR21022 | KIT SPEED CONTROL PEDAL | 1 |
| 3 | VR21037 | KIT INPUT CONNECTION CABLE | 1 |
| 4 | VR21038 | KIT SOLUTION TANK | 1 |
| 5 | VR21039 | KIT WIRE CLAMP | 1 |
| 6 | VR21023 | KIT SOLUTION COVER | 1 |
| 7 | VR21040 | KIT HOSE CLAMP | 1 |
| 8 | VF90536 | KIT OUTLET COVER | 1 |
| 9 | VR13430 | SWITCH SOLUTION TANK WATER LEVEL | 1 |
| 10 | VR21041 | KIT WATERPROOF BOARD | 1 |
| 11 | VF90608 | FILTER INSERT | 1 |
| 12 | VF90621 | FILTER | 1 |
| 13 | VR21042 | HOSE,ADAPTOR | 1 |
| 14 | VR21043 | KIT FILTER PROTECTION | 1 |

PART LIST

ELECTRIC PARTS ASSEMBLY



PART LIST

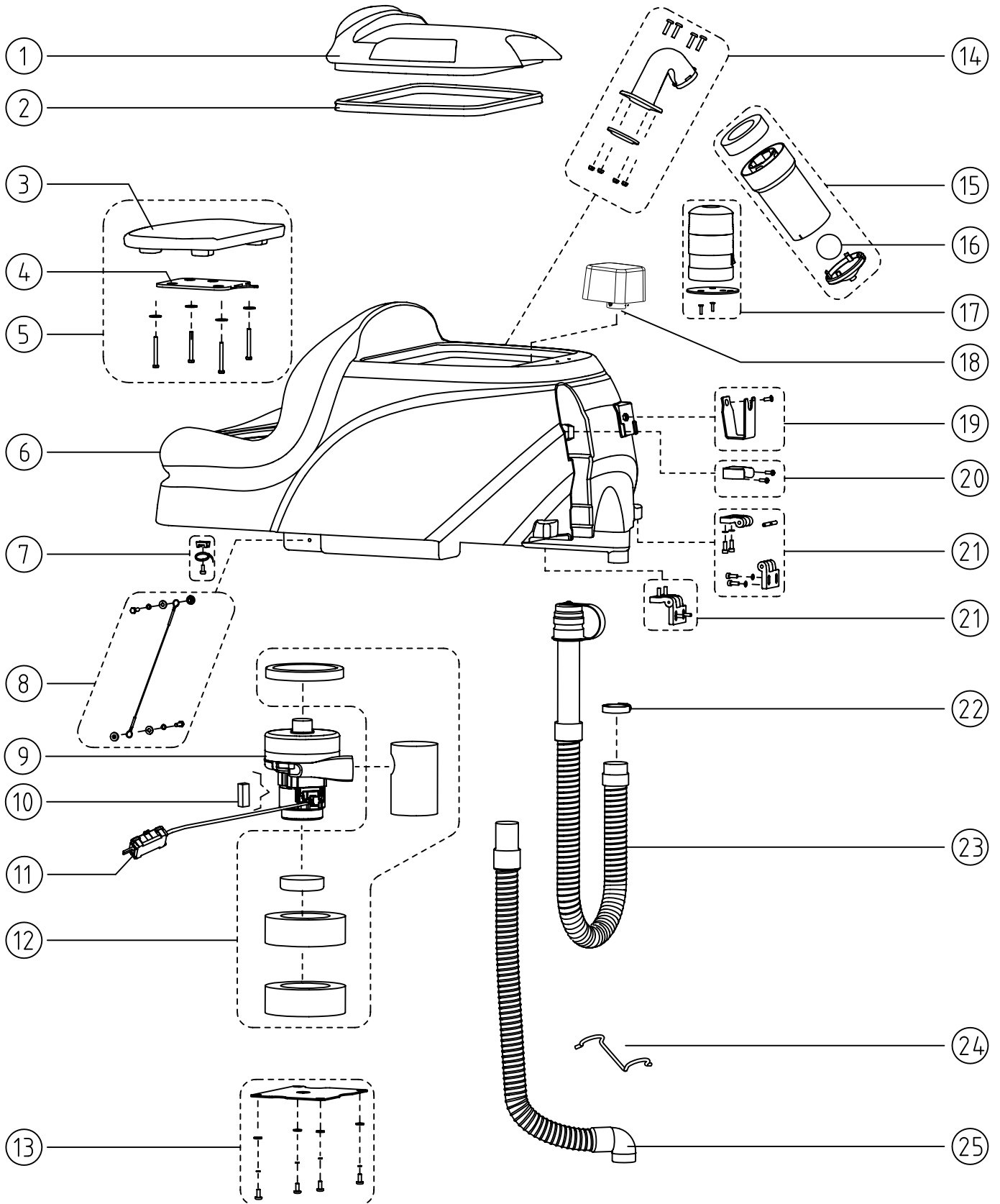
ELECTRIC PARTS ASSEMBLY

| Item | Part No. | Description | Qty |
|------|----------|---|-----|
| #*1 | VF89725 | BATTERY CHARGING CABLE(EU) | 1 |
| | VF89724 | BATTERY CHARGING CABLE(US) | 1 |
| | VF89726 | BATTERY CHARGING CABLE(UK & SA) | 1 |
| #*2 | VR21053 | KIT CHARGER (EU) | 1 |
| | VR21057 | KIT CHARGER (US & SA) | 1 |
| 3 | VR21044 | KIT FIX BRACKET | 1 |
| 4 | ZD48320 | BREAKER | 3 |
| 5 | VR21045 | KIT RELAY | 2 |
| 6 | VR21046 | KIT ELECTRIC PARTS MOUNTING PLATE | 1 |
| 7 | VR21047 | KIT CONNECT WIRE POLE | 2 |
| 8 | VR21048 | KIT DRIVE MOTOR CONTROL | 1 |
| 9 | VR21049 | KIT CONTACTOR | 1 |
| #10 | VR21002 | KIT ELECTRIC PARTS MOUNTING PLATE | 1 |
| | VR21060 | KIT ELECTRIC PARTS MOUNTING PLATE (KOREA) | 1 |
| 11 | VR13120 | KIT TRANSPARENT LID | 1 |
| 12 | VS10126 | KIT CHARGER SOCKET | 1 |
| 13 | VR21005 | LID KIT ELECTRIC BOX | 1 |

* Item No.1 and No.2 NOT FOR KOREA

PART LIST

RECOVERY TANK ASSEMBLY



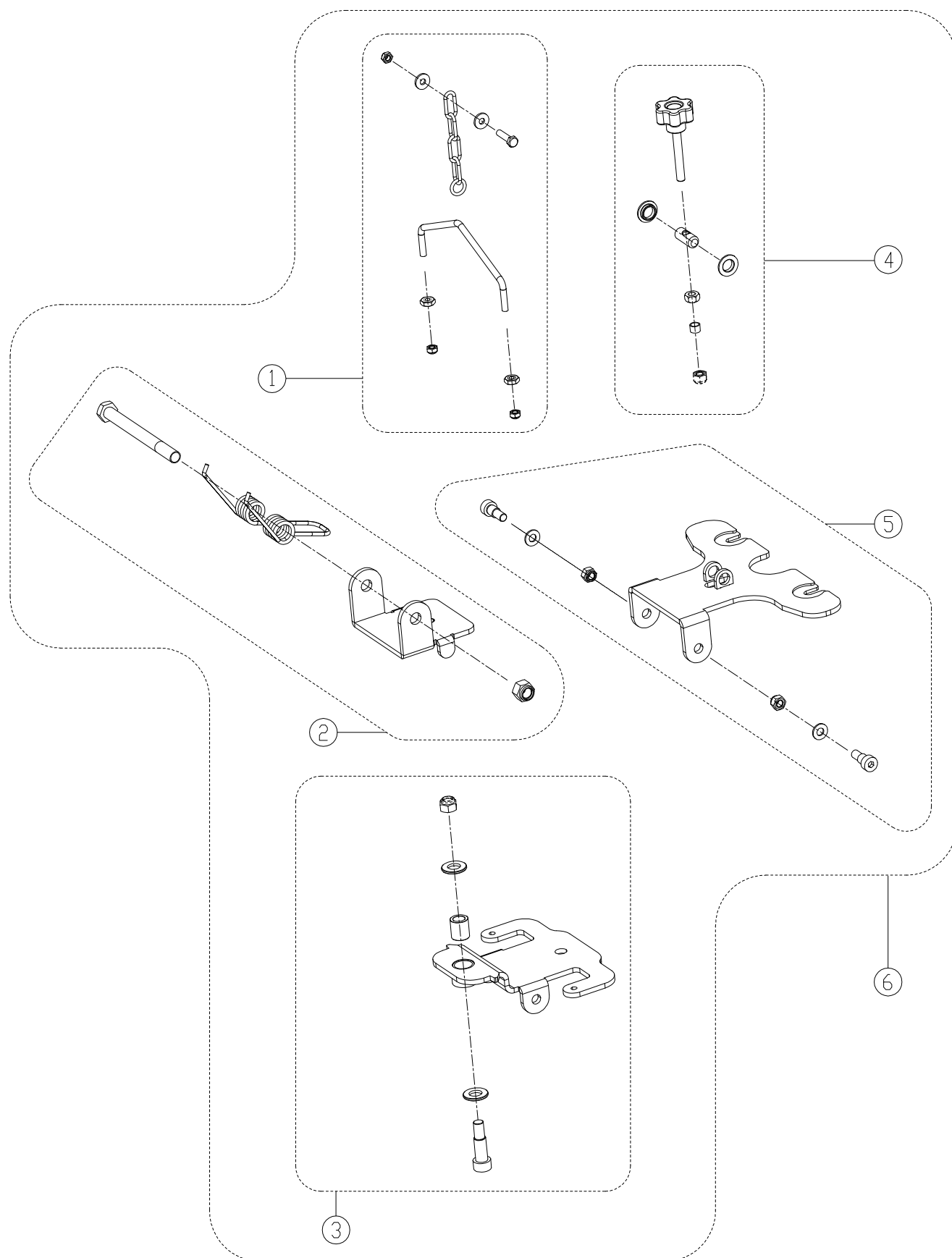
PART LIST

RECOVERY TANK ASSEMBLY

| Item | Part No. | Description | Qty |
|------|----------|------------------------------|-----|
| 1 | VR22001 | RECOVERY TANK COVER | 1 |
| 2 | VR22002 | GASKET | 1 |
| 3 | VR22011 | CUSHION | 1 |
| 4 | VR27012 | CUSHION SWITCH KIT | 1 |
| 5 | VR22013 | CUSHION KIT | 1 |
| 6 | VR22003 | RECOVERY TANK | 1 |
| 7 | VR22015 | CABLE CLAMP | 1 |
| 8 | VR22016 | RECOVERY TANK PULL CABLE KIT | 1 |
| 9 | VF90520 | VACUUM MOTOR | 1 |
| 10 | VF90522 | CARBON BRUSH | 2 |
| 11 | VR27100 | WATERPROOF CASE | 1 |
| 12 | VS10112 | GASKET VACUUM MOTOR KIT | 1 |
| 13 | VS10113 | VACUUM MOTOR COVER KIT | 1 |
| 14 | VS10110 | ELBOW ADAPTOR KIT | 1 |
| 15 | VF90534 | FLOAT KIT | 1 |
| 16 | VR22019 | FLOAT | 1 |
| *17 | VR17160 | WARNING LIGHT KIT | 1 |
| #18 | VR22021 | DRAIN COVER | 1 |
| 19 | VR17605 | SQUEEGEE HOOK KIT | 1 |
| 20 | VR22017 | CLAMP DRAIN HOSE KIT | 1 |
| 21 | VR22018 | HINGE KIT | 2 |
| 22 | VA20304 | CLAMP 2" | 1 |
| 23 | VR22006 | DRAIN HOSE | 1 |
| 24 | VF83150 | DRAIN HOSE CLAMP | 1 |
| 25 | VF84223 | SUCTION HOSE | 1 |

* OPTIONAL

SQUEEGEE BRACKET ASSEMBLY

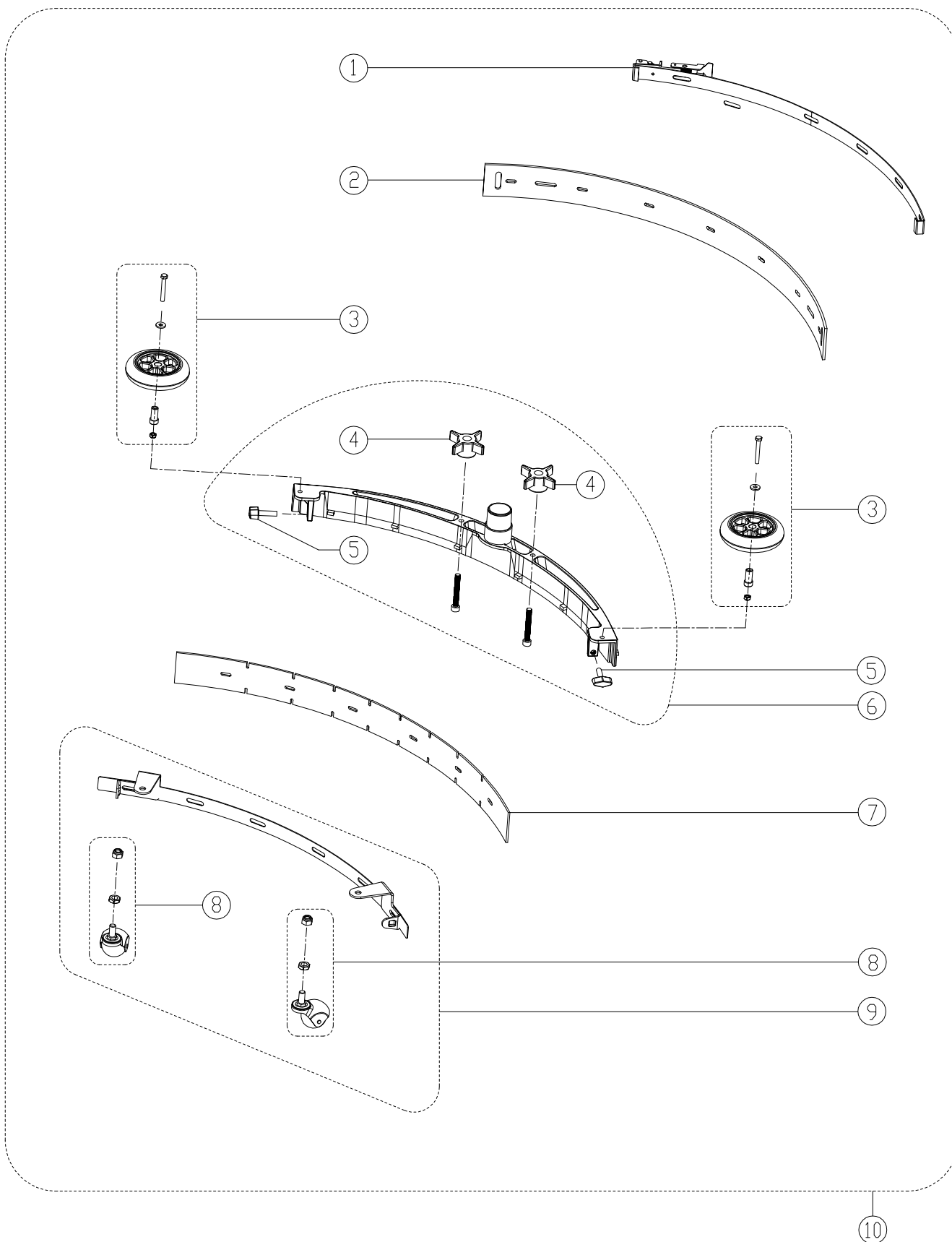


PART LIST

SQUEEGEE BRACKET ASSEMBLY

| Item | Part No. | Description | Qty |
|-------------|-----------------|---------------------------------|------------|
| 1 | VR26014 | KIT SQUEEGEE LIFT CHAIN | 1 |
| 2 | VR26015 | KIT SQUEEGEE BRACKET | 1 |
| 3 | VR26016 | KIT SQUEEGEE MOUNTING PIVOT | 1 |
| 4 | VR26017 | KIT SQUEEGEE ADJUSTMENT HANDLE | 1 |
| 5 | VR26018 | KIT SQUEEGEE ADJUSTMENT BRACKET | 1 |
| 6 | VR26006 | SQUEEGEE BRACKET ASSEMBLY | 1 |

SQUEEGEE ASSEMBLY



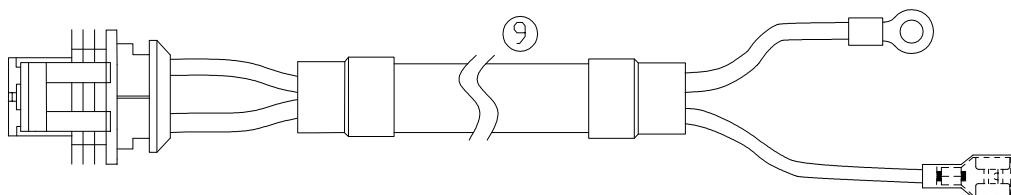
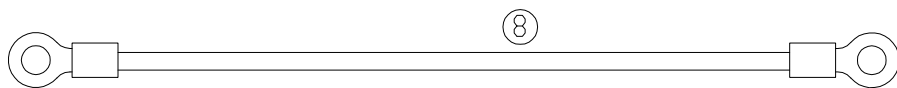
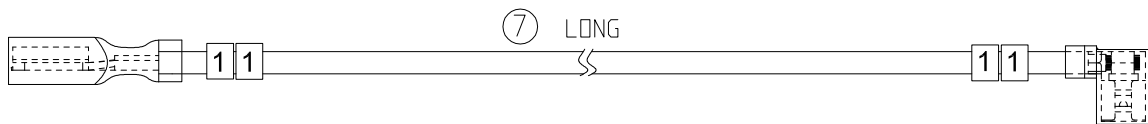
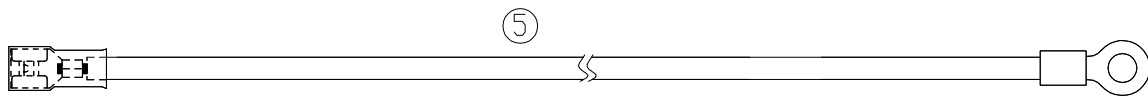
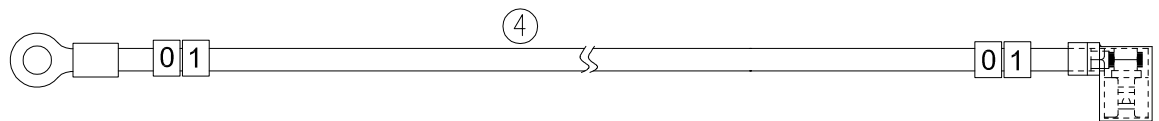
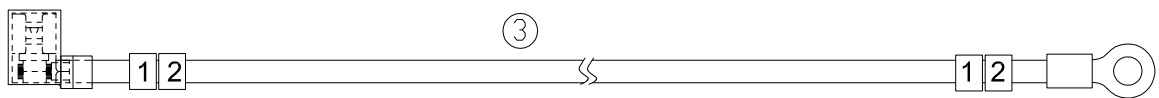
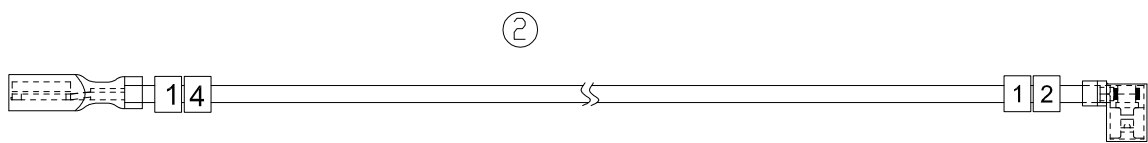
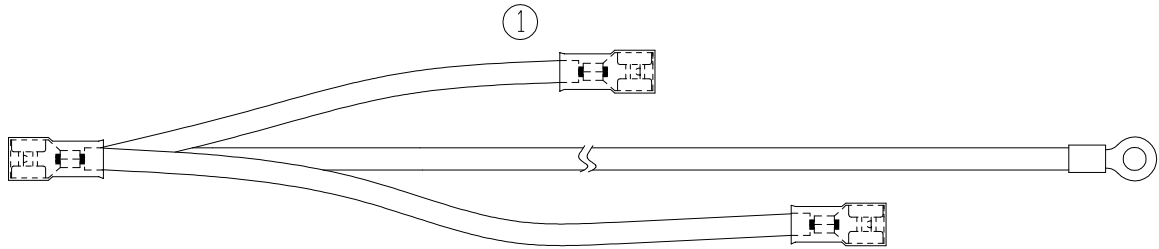
PART LIST

SQUEEGEE ASSEMBLY

| Item | Part No. | Description | Qty |
|------|----------|------------------------------|-----|
| 1 | VF90138 | STRAP KIT REAR SQUEEGEE | 1 |
| 2 | VF90104 | SQUEEGEE BLADE REAR | 1 |
| | *VF90147 | SQUEEGEE BLADE REAR(PU) | 1 |
| 3 | VR26019 | WHEEL KIT BUMPER | 2 |
| 4 | VF81210 | KNOB | 2 |
| 5 | VF85420 | WING NUT | 2 |
| 6 | VR26020 | SQUEEGEE ALUMINUM BODY | 1 |
| 7 | VF90103 | SQUEEGEE BLADE FRONT | 1 |
| | *VF90146 | SQUEEGEE BLADE FRONT(PU) | 1 |
| 8 | VR26021 | KIT SQUEEGEE UNIVERSAL WHEEL | 2 |
| 9 | VR26022 | STRAP KIT FRONT SQUEEGEE | 1 |
| 10 | VR26000 | SQUEEGEE ASSEMBLY | 1 |

* OPTIONAL

ELECTRIC PARTS

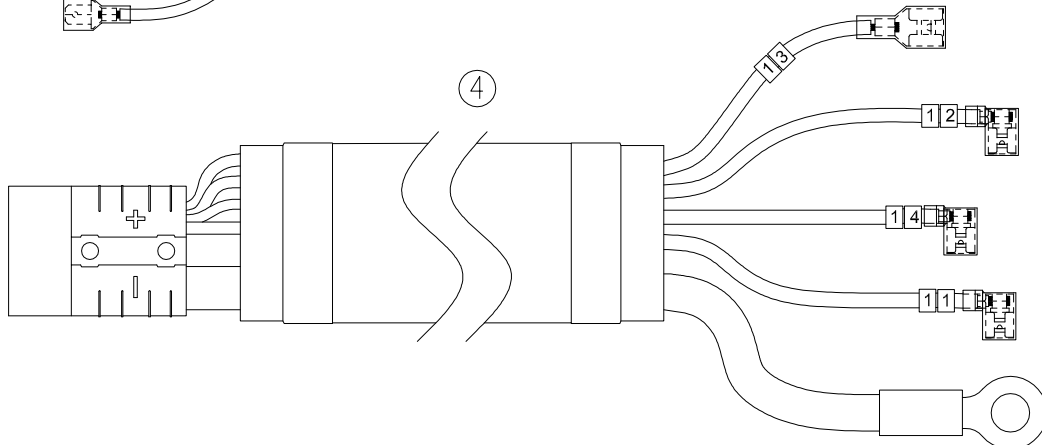
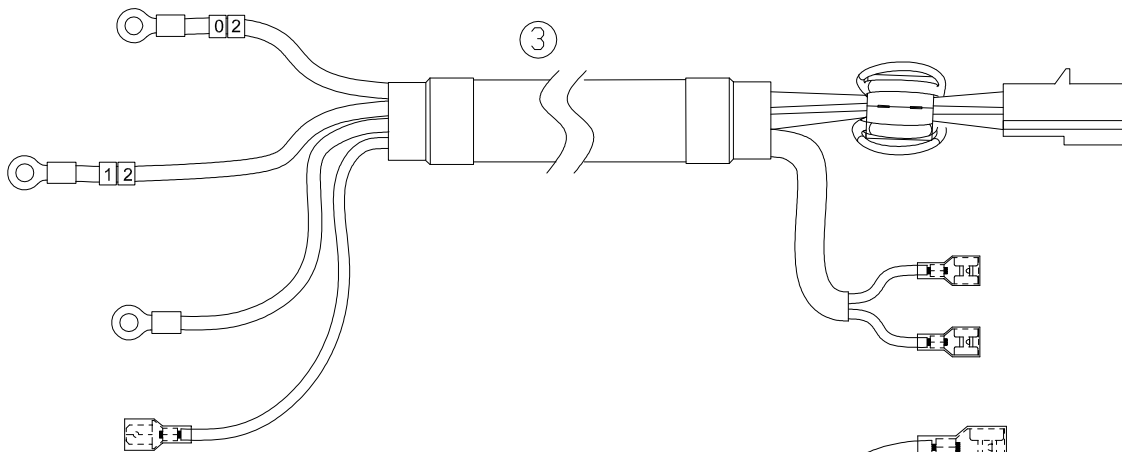
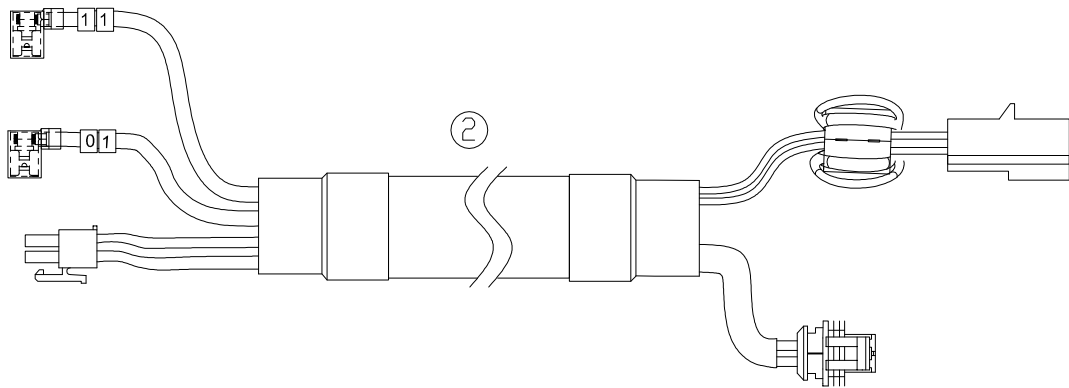
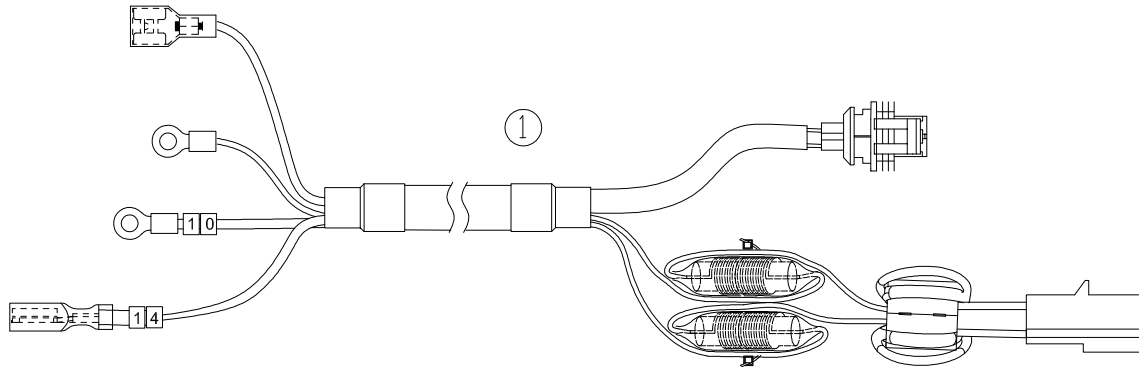


PART LIST

ELECTRIC PARTS

| Item | Part No. | Description | Qty |
|------|----------|--|-----|
| 1 | VR27111 | RELAY CONNECT WIRE | 1 |
| 2 | VR27140 | VACUUM MOTOR CIRCUIT BREAK TO RELAY CONNECT WIRE | 1 |
| 3 | VS10216 | BRUSH MOTOR CIRCUIT BREAK TO RELAY CONNECT WIRE | 1 |
| 4 | VR27153 | SPEED CONTROL TO "-"BINDING POST CONNECT WIRE | 1 |
| 5 | VR27152 | RELAY TO "-"BINDING POST CONNECT WIRE | 1 |
| 6 | VR27150 | DRIVE MOTOR CIRCUIT BREAK TO RELAY CONNECT WIRE | 1 |
| 7 | VR27151 | RELAY TO MOTOR SPEED CONTROLLER CONNECT WIRE | 1 |
| 8 | VR27131 | BRUSH MOTOR SHORT WIRE | 1 |
| 9 | VR27120 | CLEAN WATER LEVEL WIRE | 1 |

OTHER ELECTRIC PARTS ASSEMBLY



PART LIST

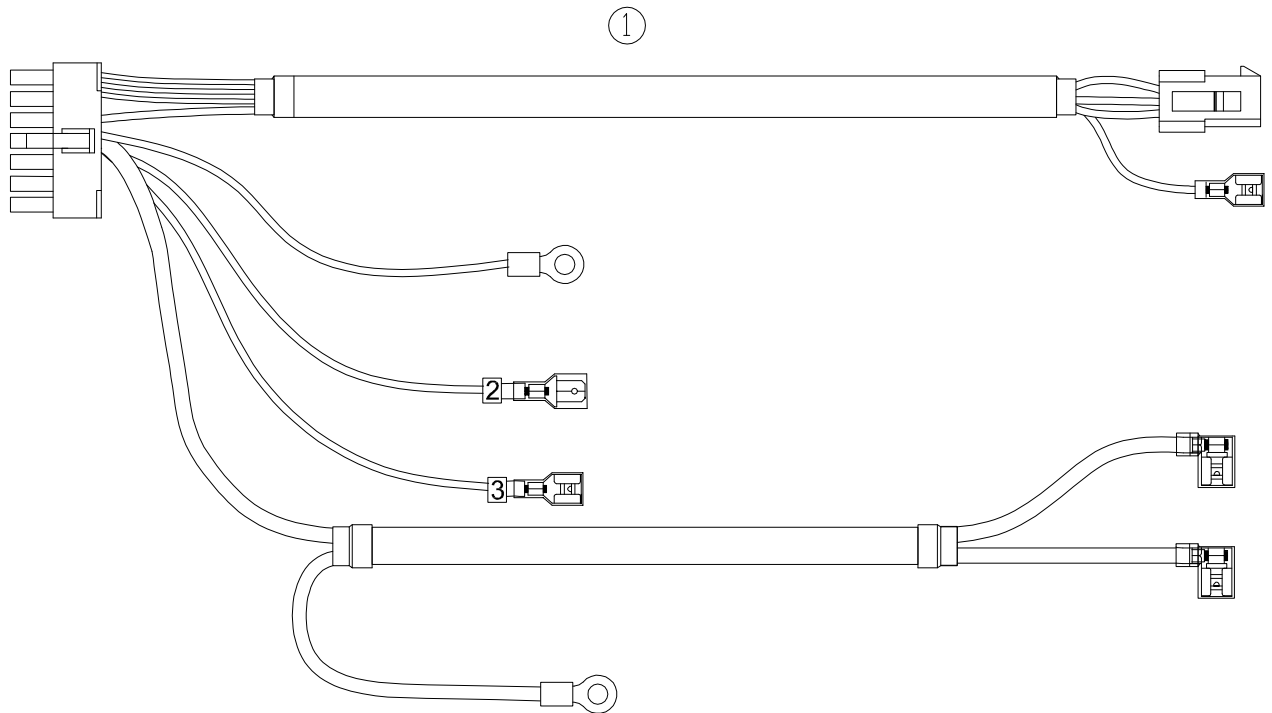
OTHER ELECTRIC PARTS ASSEMBLY

| Item | Part No. | Description | Qty |
|------|-----------|---|-----|
| 1 | VR27141 | VACUUM MOTOR CONNECT WIRE EMC CERTIFICATE | 1 |
| | * VR27142 | VACUUM MOTOR CONNECT WIRE | 1 |
| 2 | VR27154 | DRIVE MOTOR CONNECT WIRE EMC CERTIFICATE | 1 |
| | * VR27156 | DRIVE MOTOR CONNECT WIRE | 1 |
| 3 | VR27130 | BRUSH MOTOR CONNECT WIRE EMC CERTIFICATE | 1 |
| | * VR27133 | BRUSH MOTOR CONNECT WIRE | 1 |
| 4 | VR27110 | 24V INPUT LINE WIRE | 1 |

* For AS530R-XX version except AS530R-EU.

PART LIST

MOTOR SPEED CONTROLLER CONNECT WIRE



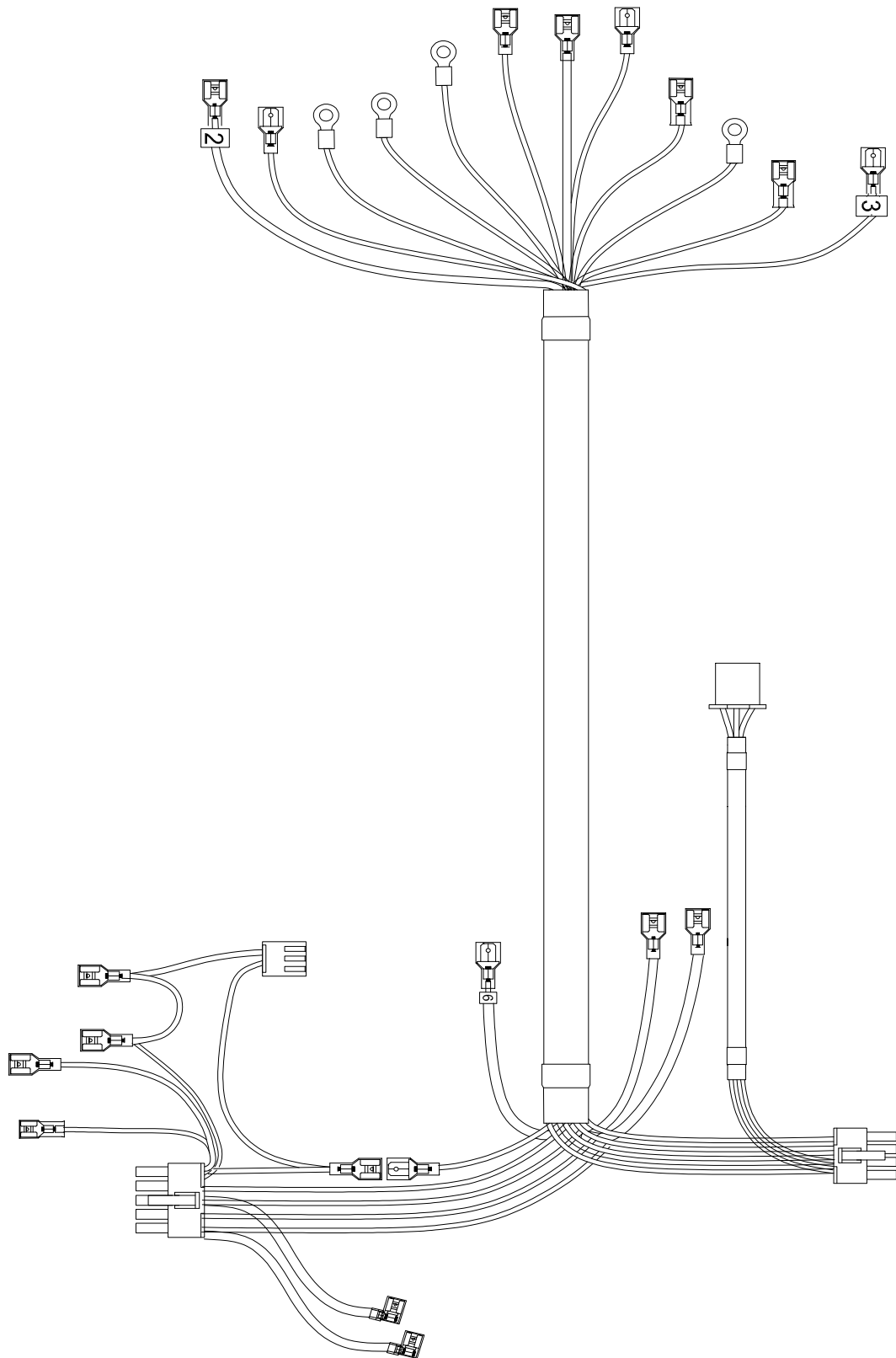
BUZZE CONNECT WIRE



| Item | Part No. | Description | Qty |
|------|----------|-------------------------------------|-----|
| 1 | VR27155 | MOTOR SPEED CONTROLLER CONNECT WIRE | 1 |
| 2 | VR27157 | BUZZE CONNECT WIRE | 1 |

PART LIST

MAIN CONNECTION WIRE



| Item | Part No. | Description | Qty |
|------|----------|-------------------|-----|
| 1 | VR27112 | MAIN CONNECT WIRE | 1 |

PART LIST

WEAR AND TEAR PARTS

| Item | Part No. | Description | Qty |
|------|------------|------------------------------|-----|
| 1 | VR23057 | MICROSWITCH KIT | 1 |
| 2 | VR22002 | GASKET | 1 |
| 3 | VR27012 | CUSHION SWITCH KIT | 1 |
| 4 | VF90520 | VACUUM MOTOR | 1 |
| 5 | VF90534 | FLOAT KIT | 1 |
| 6 | VF90522 | CARBON BRUSH | 2 |
| 7 | VR22006 | DRAIN HOSE | 1 |
| 8 | VF84223 | SUCTION HOSE | 1 |
| 9 | VR10040 | KIT UNIVERSAL JOINT | 1 |
| 10 | VR24072 | KIT SQUEEGEE SWITCH | 1 |
| 11 | VR24078 | KIT CONTROL PCB | 1 |
| | VR24089 | KIT CONTROL PCB (US VERSION) | 1 |
| 12 | 9100001354 | KEY SWITCH | 1 |
| 13 | VR15110 | FORWARD OR REVERSE BUTTON | 1 |
| 14 | VR24079 | SPEED POTENTIOMETER | 1 |
| 15 | VR27172 | EMERGENCY-STOP BUTTON | 1 |
| 16 | VR25046 | KIT PLATE DRIVE | 1 |
| 17 | VF80216D | SOLENOID VALVE | 1 |
| 18 | VF89116 | CARBON BRUSH | 4 |
| 19 | VR23047 | KIT CONTACTOR | 1 |
| 20 | VR27025 | KIT MOTOR BRAKE | 1 |
| 21 | VR27024 | CARBON BRUSH | 2 |
| 22 | VR21022 | KIT SPEED CONTROL PEDAL | 1 |
| 23 | VR21023 | KIT SOLUTION COVER | 1 |
| 24 | VF90536 | KIT OUTLET COVER | 1 |
| 25 | VF90621 | FILTER | 1 |
| 26 | VF89725 | BATTERY CHARGING CABLE(EU) | 1 |
| | VF89724 | BATTERY CHARGING CABLE(US) | 1 |
| | VF89721 | BATTERY CHARGING CABLE(CN) | 1 |
| | VF89726 | BATTERY CHARGING CABLE(UK) | 1 |
| 27 | VR21053 | KIT CHARGER (EU VERSION) | 1 |
| | VR21057 | KIT CHARGER (US VERSION) | 1 |
| 28 | ZD48320 | BREAKER | 3 |
| 29 | VR21045 | KIT RELAY | 2 |
| 30 | VR21048 | KIT DRIVE MOTOR CONTROL | 1 |
| 31 | VR21049 | KIT CONTACTOR | 1 |

PART LIST

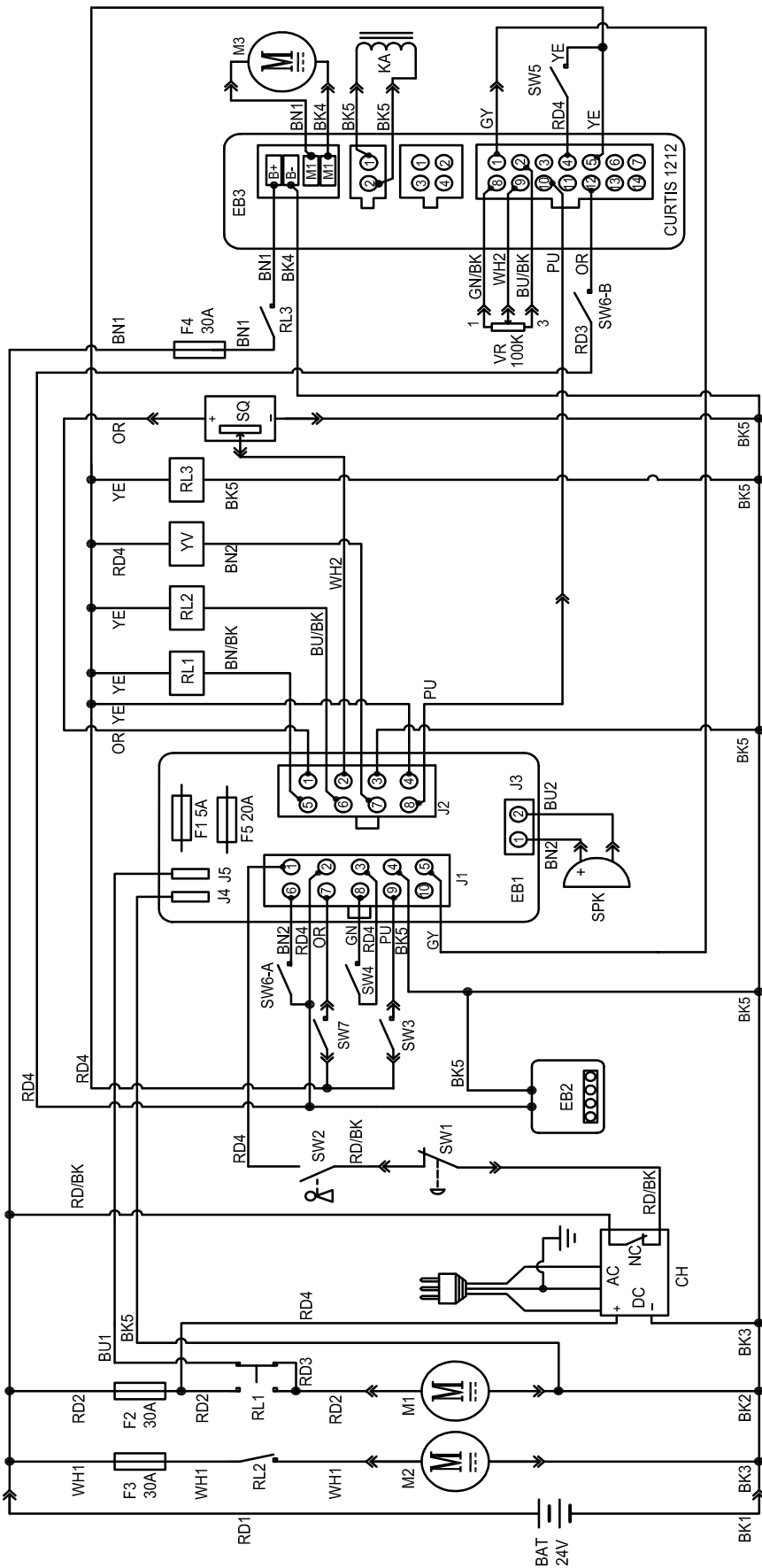
WEAR AND TEAR PARTS

| Item | Part No. | Description | Qty |
|------|----------|--------------------------------|-----|
| 32 | VR26014 | KIT SQUEEGEE LIFT CHAIN | 1 |
| 33 | VR26017 | KIT SQUEEGEE ADJUSTMENT HANDLE | 1 |
| 34 | VF90138 | STRAP KIT REAR SQUEEGEE | 1 |
| 35 | VF90104 | SQUEEGEE BLADE REAR | 1 |
| | *VF90147 | SQUEEGEE BLADE REAR(PU) | 1 |
| 36 | VR26019 | WHEEL KIT BUMPER | 2 |
| 37 | VF90103 | SQUEEGEE BLADE FRONT | 1 |
| | *VF90146 | SQUEEGEE BLADE FRONT(PU) | 1 |
| 38 | VR26021 | KIT SQUEEGEE UNIVERSAL WHEEL | 2 |
| 39 | *VR25025 | KIT RIGHT BRUSH SKIRT HEADWARE | 1 |
| 40 | *VR25026 | KIT LEFT BRUSH SKIRT HEADWARE | 1 |

* OPTIONAL

PART LIST

WIRING DIAGRAM



| WIRE ROD | WIRE ROD | WIRE ROD |
|----------|----------|---------------------|
| RD1 | BN/BK | BROWN/BLACK / 20AWG |
| RD2 | BU1 | BLUE/18AWG |
| RD3 | BU2 | BLUE/20AWG |
| RD4 | BU/BK | BLUE/BLACK / 20AWG |
| RD/BK | GN | GREEN/20AWG |
| BK1 | GN/BK | GREEN/BLACK / 20AWG |
| BK2 | GY | GRAY/20AWG |
| BK3 | PU | PURPLE/20AWG |
| BK4 | OR | ORANGE/20AWG |
| BK5 | YE | YELLOW/20AWG |
| BN1 | WH1 | WHITE/12AWG |
| BN2 | WH2 | WHITE/20AWG |

| COMPONENTS | | COMPONENTS | |
|------------|--------------------------------|------------|--------------------------|
| BAT | 24V BATTERIES | M1 | BRUSH MOTOR |
| CH | BATTERY CHARGER | M2 | VACUUM MOTOR |
| EB1 | CONTROL PANEL BOARD | M3 | DRIVE MOTOR |
| EB2 | USB CHARGING ELECTRONIC BOARD | SW1 | EMERGENCY-STOP SWITCH |
| EB3 | DRIVE ELECTRONIC BOARD | SW2 | KEY SWITCH |
| RL1 | BRUSH MOTOR ELECTRONIC SWITCH | SW3 | CLEAN WATER LEVEL SWITCH |
| RL2 | VACUUM MOTOR ELECTRONIC SWITCH | SW4 | VACUUM MOTOR SWITCH |
| RL3 | DRIVE SYSTEM ELECTRONIC SWITCH | SW5 | OPTIONAL MODE SWITCH |
| YV | WATER ELECTRONIC VALVE | SW6-A | OPTIONAL REVERSE SWITCH |
| F1 | CONTROL PANEL BOARD FUSE | SW6-B | OPTIONAL REVERSE SWITCH |
| F2 | BRUSH MOTOR CIRCUIT BREAKER | SW7 | SEAT SWITCH |
| F3 | VACUUM MOTOR CIRCUIT BREAKER | SQ | FOOT THROTTLE |
| F4 | DRIVE SYSTEM CIRCUIT BREAKER | SPK | 12VDC BUZZER |
| F5 | BRUSH RELEASE FUSE | VR | SPEED POTENTIOMETER |
| KA | BRAKE | | |



www.vipercleaning.com