



Electronic Service Manuals

This electronic document is provided as a service to our customers. We do not create the contents of the information contained in this document. Should you have detailed questions pertaining to the information contained in this document, you may contact Michco, or the manufacturer which provided the original information in this electronic deliverable. Michco's only part in this electronic deliverable was the electronic assembly process. By providing this manual on line we are not guaranteeing parts availability.

You may contact Michco through the following methods:

Phone (517) 484-9312 or (800) 331-3339

2011 N. High St. -- Lansing, Michigan -- 48906

Fax: (517) 484-9836

Email: CustServe@Michco.com

Web site: www.Michco.Com

Parts Web site: www.FloorMachineParts.Com

Order Parts on Line at:

www.FloorMachineParts.Com

Directly to Parts & Service:

By Email: **Shop@Michco.com**

By Fax: (517) 702-2041

By Voice: Use numbers above.

Serving the Cleaning Industry Since 1922

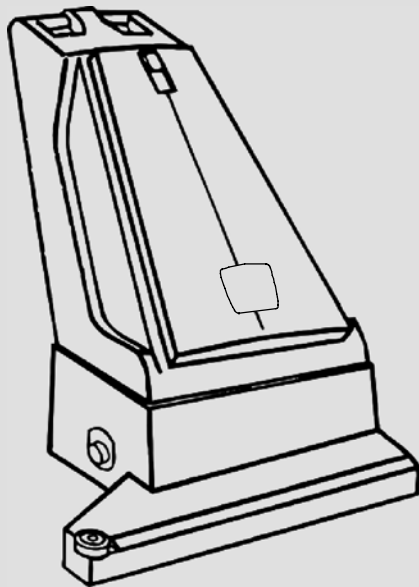
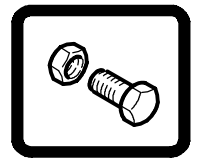
Notice: All copyrighted material remains property of original owners, all trademarks are property of respective owners. Manuals are subject to Manufacturer's reproduction limitations. Originals or reproductions were provided by manufacturers through a request. We make no warranty as to the correctness of information provided in this document and you assume all risk. By placing these manuals on line we are not declaring our corporation to be an manufacturer authorized dealer or provider, please check our web site for authorized manufacturers we represent.



V-WA-30

Wide Area Vacuum

Parts Manual



Model Part No.:
9007459 - V-WA-30 (120V)
9007461 - V-WA-30 (120V) CSA

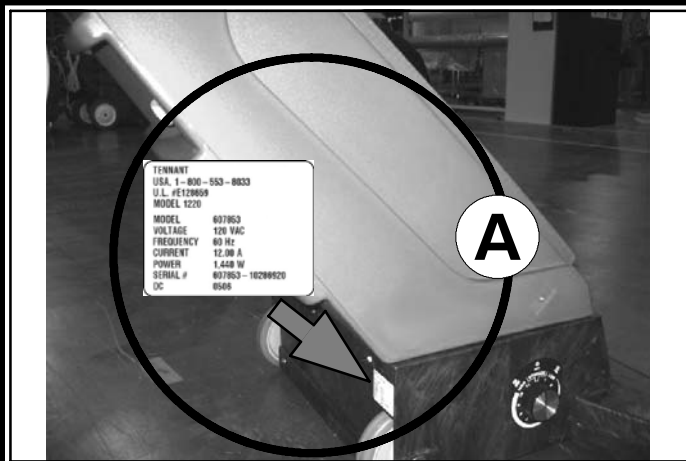


www.tennantco.com

NOBLES
www.nobles.com

9007521
Rev. 00 (04-2010)





Ref	Part No.	Serial Number	Description	Qty.
1	82681	(000000-)	Bracket Wldt, Lpg Mount	1
▽ 2	63810	(000000-)	Ch Assy, Lpg Tank Mtg, W/Nut	4
▲ 3	51839	(000000-)	at Adjustable, Lpg Tank Mtg	2
4	49263	(000000-)	Tie, Cable	3
82556	(000000-001039)		Bracket, Vaporizer	1
54930	(000000-)		Vaporizer	1

HOW TO ORDER PARTS - See diagram above

Only use TENNANT Company supplied or equivalent parts. Parts and supplies may be ordered online, by phone, by fax or by mail.

Follow the steps below to ensure prompt delivery.

1. (A) Identify the machine model.
2. (A) Identify the machine serial number from the data label.
3. (B) Ensure the proper serial number is used from the parts list.
4. Identify the part number and quantity.
Do not order by page or reference numbers.
5. Provide your name, company name, customer ID number, billing and shipping address, phone number and purchase order number.
6. Provide detail shipping instructions.

- (C) ▽ - identifies an assembly
 ▲ - identifies parts included in assembly
 (D) ● - identifies a recommended stock item

Please fill out at time of installation for future reference.

Model No. - _____
 Serial No. - _____
 Machine Options - _____
 Sales Rep. - _____
 Sales Rep. phone no. - _____
 Customer ID Number - _____
 Installation Date - _____

Tennant Company

PO Box 1452
 Minneapolis, MN 55440
 Phone: (800) 553-8033 or (763) 513-2850

www.tennantco.com
 www.nobles.com

Specifications and parts are subject to change without notice.

Copyright © 2010 TENNANT Company, Printed in U.S.A.

CN	<p>如何订购部件 - 参见下表 仅使用 TENNANT 公司提供的或同等部件。部件和供应可以在线订购，通过电话、传真或邮件订购。 请遵循下面的步骤确保及时交付。</p> <ol style="list-style-type: none"> 1. (A) 确定机器型号。 2. (A) 从数据标签确定机器序列号。 3. (B) 确保使用部件列表中的正确序列号。 4. 确定部件号和数量。 不要按页面或参考编号订购。 5. 提供您的姓名、公司名称、客户 ID 号、付帐和送货地址、 电话号码和采购单编号。 6. 提供详细的送货说明。 <hr/> <p>(C) ▽ - 确定组件 ▲ - 确定组件中包含的组件 (D) ● - 确定建议的库存项</p>	<p>请在安装时填写供未来参考。</p> <p>型号 - _____</p> <p>序列号 - _____</p> <p>机器选项 - _____</p> <p>销售代表 - _____</p> <p>销售代表电话号码 - _____</p> <p>客户 ID 编号 - _____</p> <p>安装日期 - _____</p>
-----------	---	--

ES	<p>CÓMO SOLICITAR PIEZAS - Consulte el diagrama anterior.</p> <p>Utilice sólo las piezas suministradas por TENNANT Company o piezas equivalentes. Puede solicitar las piezas a través de internet, por teléfono, por fax o por correo.</p> <p>Siga los siguientes pasos para que la entrega sea rápida.</p> <ol style="list-style-type: none"> 1. (A) Indique el modelo de máquina. 2. (A) Indique el número de serie de la etiqueta de datos. 3. (B) Asegúrese de que indica el número de serie correcto de la lista de piezas. 4. Indique la cantidad y el número de la pieza. No realice el pedido indicando el número de página o el de referencia. 5. Incluya su nombre, el nombre de la empresa, el ID de cliente, las direcciones de envío y facturación, el número de teléfono y el número del pedido de compra. 6. Facilite instrucciones de envío. <hr/> <p>(C) ▽ - identifica un conjunto ▲ - identifica piezas de un conjunto (D) ● - identifica un artículo que conviene tener en stock</p>	<p>Rellene estos datos cuando realice la instalación para utilizarlos como referencia en el futuro.</p> <p>Nº modelo - _____</p> <p>Nº serie - _____</p> <p>Opciones de la máquina - _____</p> <p>Vendedor - _____</p> <p>Nº teléfono vendedor - _____</p> <p>Nº cliente - _____</p> <p>Fecha de instalación - _____</p>
-----------	--	---

FR	<p>COMMENT COMMANDER DES PIÈCES DÉTACHÉES - Voir le schéma ci-dessus.</p> <p>Utilisez uniquement des pièces fournies par la société TENNANT ou équivalentes. Les pièces et fournitures peuvent être commandées en ligne, par téléphone, fax, ou par courrier.</p> <p>Suivez les étapes ci-dessous pour assurer une livraison rapide.</p> <ol style="list-style-type: none"> 1. (A) Identifiez le modèle de la machine. 2. (A) Identifiez le numéro de série de la machine, à partir de l'étiquette signalétique. 3. (B) Assurez-vous que le numéro de série correct est utilisé à partir de la liste de pièces détachées. 4. Identifiez le numéro de pièce et la quantité. Ne commandez pas par page ou numéros de référence. 5. Fournissez votre nom, le nom de votre société, votre numéro d'identification de client, l'adresse de facturation et d'expédition, le numéro de téléphone et le numéro du bon de commande. 6. Fournissez des instructions d'expédition détaillées. <hr/> <p>(C) ▽ - identifie un assemblage ▲ - identifie les pièces composant l'assemblage (D) ● - identifie un article de stock recommandé</p>	<p>A remplir au moment de l'installation à titre de référence.</p> <p>Nº du modèle - _____</p> <p>Nº de série - _____</p> <p>Options de la machine - _____</p> <p>Agent commercial - _____</p> <p>Nº tél. de l'agent commercial - _____</p> <p>Numéro d'identification client - _____</p> <p>Date d'installation - _____</p>
-----------	--	---

JP	<p>パーツの発注方法 ? 上記の図を参照してください TENNANT社製のパーツまたは同等品のみをお使いください。パーツやサプライ品のご注文は、オンライン、電話、FAX、または手紙でお願いいたします。 確実にお届けできるように、以下の情報お知らせください。</p> <ol style="list-style-type: none"> 1. (A) 製品のモデル名をお知らせください。 2. (A) 製品のデータラベルに印刷されているシリアル番号をお知らせください。 3. (B) パーツリストを参照して、シリアル番号が正しいかご確認ください。 4. パーツ番号と数量をお知らせください。マニュアル/カタログの ページ番号や参照番号でのご注文はご遠慮ください。 5. お客様のお名前、会社名、顧客ID番号、請求/発送先住所、電話番号、注文書番号をお知らせください。 6. 発送に関するご希望があれば、明記してください。 <hr/> <p>(C) ▽ - アセンブリを示します ▲ - アセンブリに含まれるパーツを示します (D) ● - 当社推薦の在庫用品を示します</p>	<p>後日確認できるように、設置時に記入してください。</p> <p>モデルNo. - _____</p> <p>シリアルNo. - _____</p> <p>製品のオプション - _____</p> <p>販売代理店 - _____</p> <p>販売代理店の電話番号 - _____</p> <p>顧客ID番号 - _____</p> <p>設置日 - _____</p>
-----------	--	---

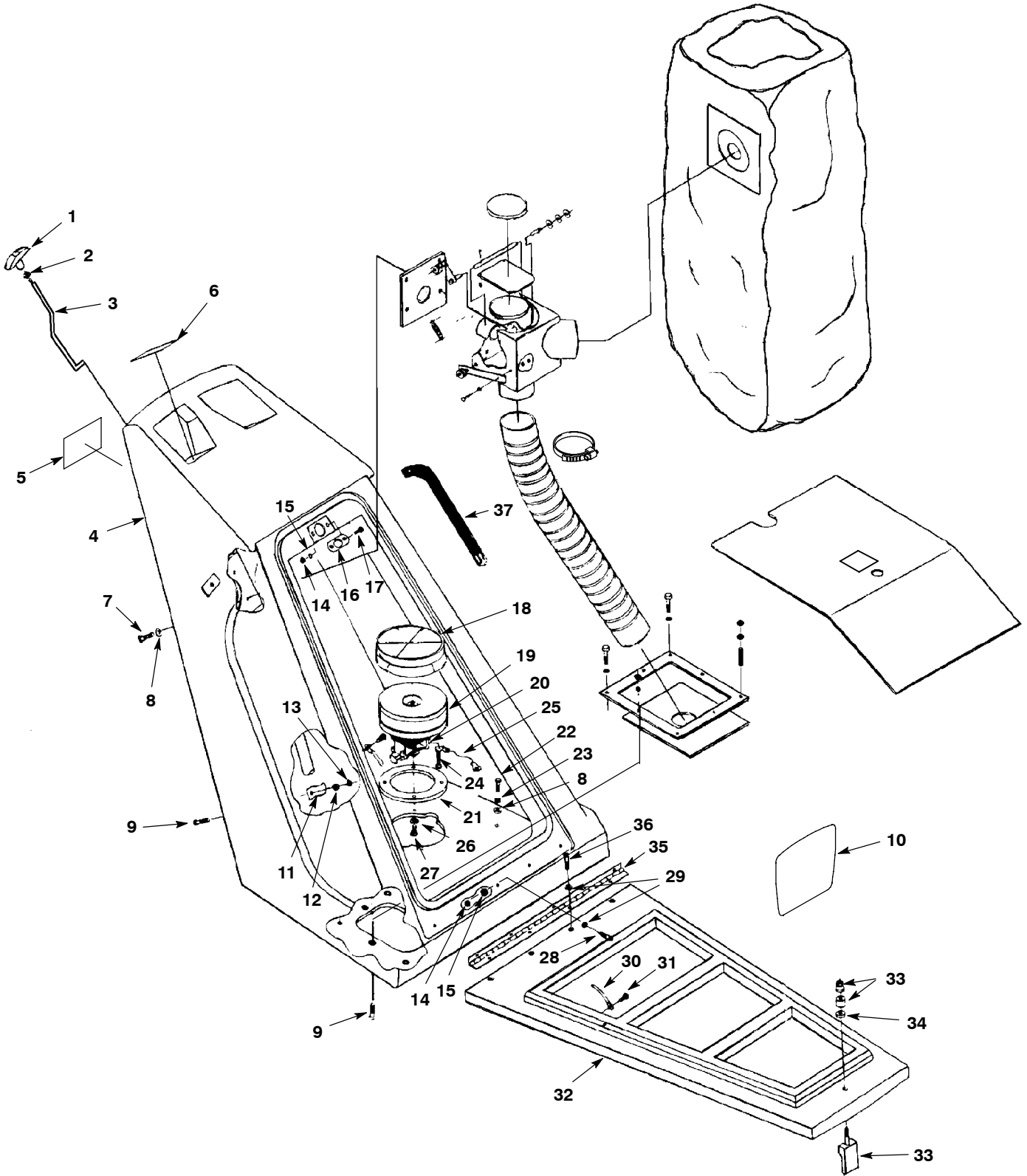
STANDARD PARTS

HANDLE GROUP 6
HANDLE GROUP - CONT'D 8
BRUSH BASE GROUP 10
BRUSH BASE GROUP - CONT'D 12
CONTROL CONSOLE GROUP 14
ELECTRICAL DIAGRAM, 120V 15

OPTIONS

WAND AND HOSE KIT 16

HANDLE GROUP



HANDLE GROUP

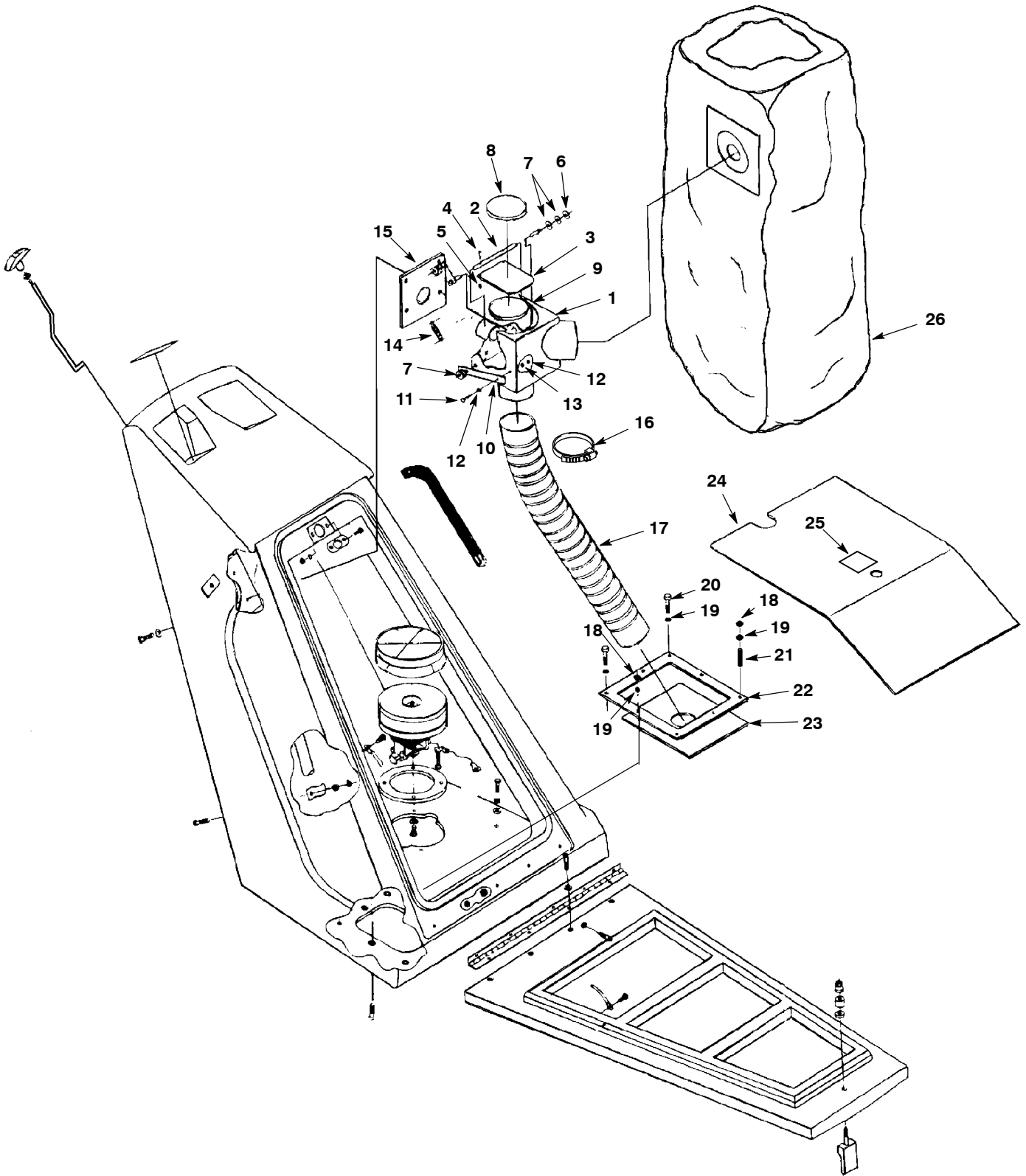
Ref.	Part No.	Serial Number	Description	Qty.	
1	039708249	(00000000-)● Knob, T Handle, .25-20 Fem Thrd	1	
2	32520	(00000000-) Nut, Hex, Jam, .25-20	1	
3	573084	(00000000-) Rod, Chamber, Vacuum, .25d	1	
▽	4	9007665	(00000000-) Handle, Rm-Cphg, Afmkt [V-Wa-30]	1
▲	5	1026381	(00000000-) Label, Warning [Ac Vacuums En/Fr/Es]	1
▲	6	573042000	(00000000-) Label, Caution [Vacuum On]	1
7	140824	(00000000-) Screw, Trs, .25-20 X 0.62, Phl, Ss	4	
8	19066	(00000000-) Washer, Flat, 10	10	
9	579201	(00000000-) Screw, Flt, M6 X 1.0 X 20, Phl [965]	6	
10	1060464	(00000000-) Label, Logo, Cmdty, Dual, Large	1	
11	613843	(00000000-) Clamp, Cable, .375id [Half-Clip Insul]	1	
12	19066	(00000000-) Washer, Flat, 10	1	
13	08708	(00000000-) Nut, Hex, Lock, M6 X 1.00, NI	1	
14	02850	(00000000-) Nut, Hex, Lock, M4 X 0.70, NI	9	
15	41579	(00000000-) Washer, Flat, 08, Ss	8	
16	039708043	(00000000-) Plate, Latch	1	
17	200631346	(00000000-) Screw, Flt, M4 X 0.7 X 16, Phl, Ss	2	
18	180626	(00000000-)● Frame, Fltr, Foam	2	
▽	039708155	(00000000-)● Assy Vac/Gasket Cv301 (L15)	2	
▲	19	130988	(00000000-)● Fan, Vacuum, 5.7d, 120vac, 1 Stage [Tf]	2
▲	20	190164	(00000000-)● Brush, Carbon [130988, 1pick=1pkg]	2
▲	21	100122	(00000000-)● Gasket, Motor, Vacuum	2
▲	130133	(00000000-) Terminal, Mal, .25 22-18ga Red, F-Ins	4	
22	08716	(00000000-) Screw, Hex, M6 X 1.00 X 20, Ss	6	
23	578728	(00000000-) Washer, Lock, M6.1, PI [Din127]	6	
24	140897	(00000000-) Screw, Hex, Sltd, 10-32 X 0.25 [Ground]	2	
25	700152	(00000000-) Wire, 14ga 09.5l Green .19ring /.19ring	2	
26	19324	(00000000-) Washer, Flat, 10, Sae	8	
27	039708225	(00000000-) Screw, Pan, #10-24 X 1, Phl, PI, FI	8	
28	200070346	(00000000-) Screw, Pan, Phl, M4 X 0.70 X 17, PI	5	
29	573086	(00000000-) Washer, M4.1 X 11, PI [Serr]	9	
30	573060000	(00000000-) Cable, 1.6d 0381l 6.6eye /6.6eye[Dacron]	1	
31	200452107	(00000000-) Screw, Fil, Phl, 10-24 X 0.62, PI [A]	2	
32	9007667	(00000000-) Hood, Rm-Cphg, Afmkt [V-Wa-30]	1	
33	039708060	(00000000-) Latch, Swell, Cover	1	
34	230363	(00000000-) Spacer, 0.33b 0.62d 0.16l, PI	1	
35	039708211	(00000000-) Hinge, Cv-301	1	
36	200070340	(00000000-) Screw, Pan, Phl, M4 X 0.70 X 8, PI	4	
37	573068	(00000000-)● Seal, .50, .50w 77.0l, Adh [D Shape]	1	

▽ ASSEMBLY

▲ INCLUDED IN ASSEMBLY

● RECOMMENDED STOCK ITEMS

HANDLE GROUP - CONT'D



HANDLE GROUP - CONT'D

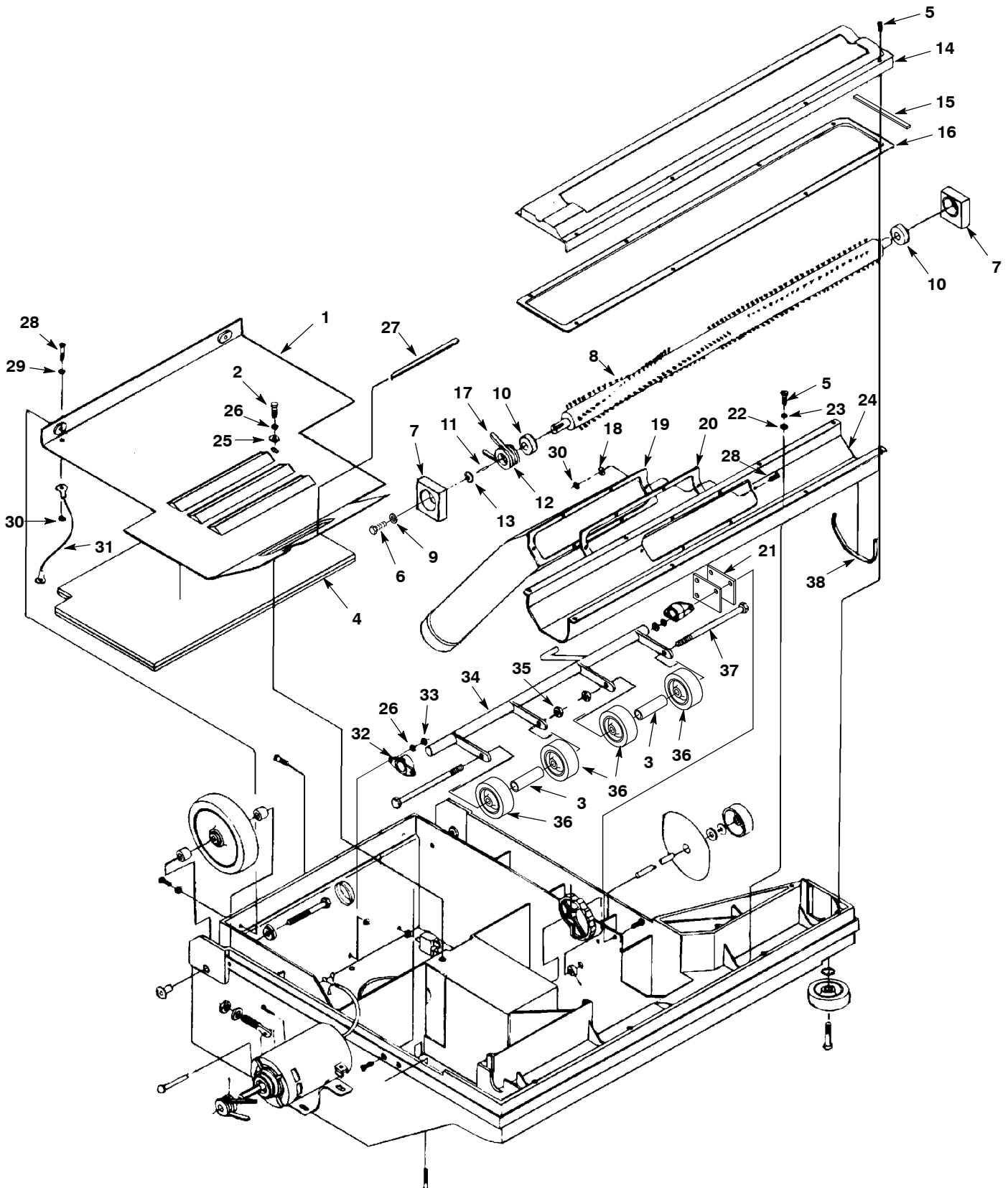
Ref.	Part No.	Serial Number	Description	Qty.
1	039708134	(00000000-) Chamber, Rm-Nat, Trimmed	1
2	039708234	(00000000-) Rod Wldt, Chamber, Adaptor	1
3	039708243	(00000000-) Plate, Adapter, Chamber	1
4	200053343	(00000000-) Screw, Fil, Sltd, M4 X 0.70 X 12, Pl	2
5	02850	(00000000-) Nut, Hex, Lock, M4 X 0.70, NI	9
6	605185	(00000000-) Clip, Ring [X5133-31zd]	1
7	140027	(00000000-) Washer, Flat, 0.35b 0.75d .04, Ss	3
8	039708239	(00000000-)● Gasket, Chamber, Upper	1
9	039708240	(00000000-)● Gasket, Chamber, Lower	1
10	039708248	(00000000-) Support, Spring	1
11	200756348	(00000000-) Screw, Pan, Sltd, M4 X 0.70 X 20	1
12	02850	(00000000-) Nut, Hex, Lock, M4 X 0.70, NI	2
13	41579	(00000000-) Washer, Flat, 08, Ss	8
14	039708241	(00000000-) Spring, Extn, 0.50od 0.06wir 03.0l	1
15	039708238	(00000000-)● Gasket, Chamber	1
16	608253	(00000000-) Clamp, Hose, Wormdrive, 3.07-4.00d, .50w	2
17	608252	(00000000-)● Hose, Vacuum, 3.00id X 023.0l, Gray	1
18	579029	(00000000-) Nut, Hex, Std, M6 X 1.00 [Din 934p]	6
19	578244000	(00000000-) Washer M6.4x10 Lck Ss	8
20	200031441	(00000000-) Screw, Hex, M6 X 1.00 X 25	2
21	200251444	(00000000-) Screw, Set, M6 X 1.00 X 30	1
22	039708052	(00000000-) Plate, Seal	1
23	039708051	(00000000-)● Seal	1
24	1039145	(00000000-) Cover, Vacfan	1
25	039708244	(00000000-) Label, Info, Warning, Vacfan	1
26	039708069	(00000000-)● Filter, Bag, Cloth, Vacuum	1
26	611778	(00000000-)● Bag, Fltr, Paper [Mt30, 1pick=1pkg]	1

▽ ASSEMBLY

▲ INCLUDED IN ASSEMBLY

● RECOMMENDED STOCK ITEMS

BRUSH BASE GROUP



BRUSH BASE GROUP

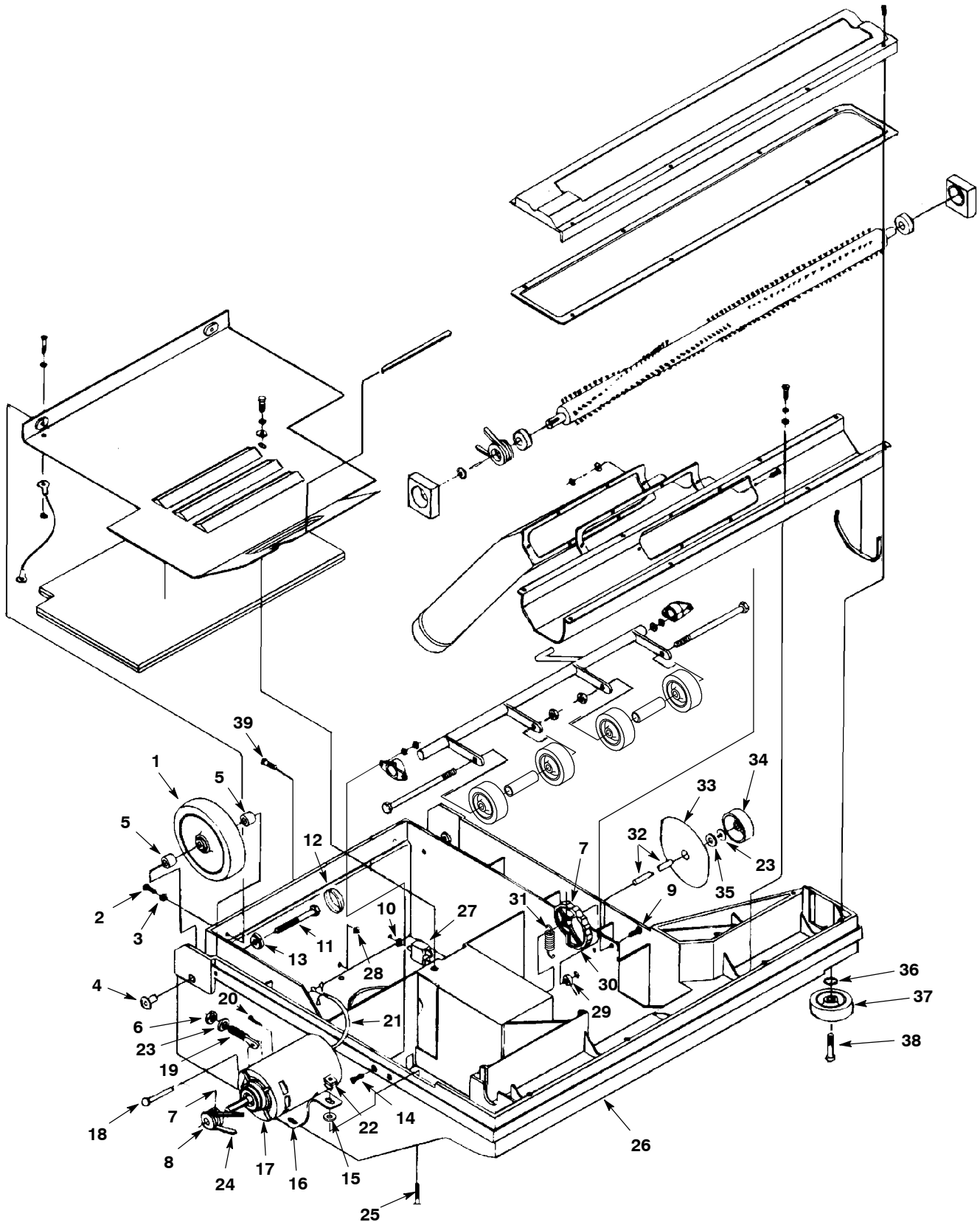
Ref.	Part No.	Serial Number	Description	Qty.	
1	039708210	(00000000-) Plate, Bottom, 3 Vent [Cv-301]	1	
2	363503	(00000000-) Screw, Pan, Phl, M6 X 1.00 X 12, Ss	1	
3	140156	(00000000-) Tube, 0.38id 0.62od 02.8l	2	
4	039708206	(00000000-) Sound Foam,Cv-301	1	
5	579237	(00000000-) Screw, Pan, Phl, M4 X 0.70 X 12, Ss	10	
▽	439708910	(00000000-)● Brush Assy, W/ Brg & Pulley [L15]	1	
▲	6	069762115	(00000000-) Screw, Hex, .25-20 X 0.50	1
▲	7	039708022	(00000000-)● Bearing, Mount	2
▲	8	039708135	(00000000-)● Brush Assy. W/Pins	1
▲	9	140016	(00000000-) Washer, Lock, Split, 0.25, Ss	1
▲	10	140123	(00000000-)● Bearing, Ball, 0.67b 1.57d .47w [6203]	2
▲	11	578416	(00000000-) Key, Sq, 0.13 X 0.13, 0.50l	1
▲	12	578413	(00000000-)● Pulley, Brush, 1.625d	1
▲	13	41186	(00000000-) Washer, Flat, Belleville, .31	1
14	039708120	(00000000-) Skid	1	
15	611768	(00000000-) Seal, Brush, 7.0inch	2	
16	039708025	(00000000-) Gasket, Skid	1	
17	039708090	(00000000-)● Belt, .56w [Poly, 200j6]	1	
18	200301014	(00000000-) Washer, Flat, M4.3b X 10.1d X 1, PI	6	
19	039708131	(00000000-) Tube, Debris, Rm-Nat, Trimmed	1	
20	039708201	(00000000-)● Gasket, Inlet, Debris	1	
21	573279	(00000000-) Plate, Sppt, Rlr Wldt	2	
22	41579	(00000000-) Washer, Flat, 08, Ss	2	
23	069760093	(00000000-) Washer, Lock, Split, 08, PI [4]	2	
24	039708010	(00000000-) Brush Chamber	1	
25	19066	(00000000-) Washer, Flat, 10	1	
26	578728	(00000000-) Washer, Lock, M6.1, PI [Din127]	6	
27	069764177	(00000000-) Edging, Plastic, Raw .037"-0.071	1	
28	579259	(00000000-) Screw, Pan, Phl, M4 X 0.70 X 12, PI	7	
29	02938	(00000000-) Washer, Lock, Int, 08, Ss	1	
30	02850	(00000000-) Nut, Hex, Lock, M4 X 0.70, NI	7	
31	573083	(00000000-) Wire, 16ga 0430l Green #10ring /#10ring	1	
32	039708064	(00000000-)● Bearing	2	
33	579029	(00000000-) Nut, Hex, Std, M6 X 1.00 [Din 934p]	5	
34	039708029	(00000000-) Roller Wldt	1	
35	039708223	(00000000-) Nut, Hex, Jam, .38-16, PI	2	
36	630477	(00000000-)● Wheel, Pyu, 02.0d 0.38w, Gray	4	
37	039708204	(00000000-) Screw, Hex, .38-16 X 5.50, G5	2	
38	611768	(00000000-) Seal, Brush, 7.0inch	2	

▽ ASSEMBLY

▲ INCLUDED IN ASSEMBLY

● RECOMMENDED STOCK ITEMS

BRUSH BASE GROUP - CONT'D



BRUSH BASE GROUP - CONT'D

Ref.	Part No.	Serial Number	Description	Qty.
1	039708026	(00000000-)● Rear Wheel	2
2	140823	(00000000-) Screw, Trs, Phl, 10-24 X 0.62, Ss	2
3	19324	(00000000-) Washer, Flat, 10, Sae	2
4	573079	(00000000-) Bushing .38-16 X 12.0 X 25.4d	2
5	039708254	(00000000-) Spacer, Plstc, 0.44b 0.75d 0.31l, Ny	4
6	59156	(00000000-) Nut, Hex, Lock, .38-16, NI, Ss	1
7	039708251	(00000000-) Screw, Set, #08-32 X 0.50, Soc	2
8	578414	(00000000-)● Pulley, Motor, 1.130d	1
9	200031436	(00000000-) Screw, Hex, M6 X 1.00 X 16	3
10	140022	(00000000-) Washer, Int, .38, Ss	1
11	039708121	(00000000-) Screw, Hex, .38-16 X 2.75, G5, PI	2
12	150210	(00000000-) Plug, Cap, Blk	2
13	573081	(00000000-) Washer, .375, F/150210, Spcl	2
14	579201	(00000000-) Screw, Flt, M6 X 1.0 X 20, Phl [965]	2
15	140053	(00000000-) Washer, Flat, 0.28b 0.88d .12, Ss	4
▽	16	573090)● Motor [Ge, Cv301 W/ Std, L15]	1
▲	17	605101)● Motor, Brush, Rwk [L15]	1
▲	18	573089) Pin, Clevis, 0.25d X 1.88l, PI	1
▲	19	573091) Screw, .38-16 X 2.75, Spade, PI	1
▲	20	08170) Pin, Cotter, .062 X 0.50	1
▲	21	039708154)● Wire Harness, Base	1
▲	22	069762001) Nut, Retaining, .25-20, PI	4
	23	32492) Washer, Flat, 0.38, Std	2
	24	039708090)● Belt, .56w [Poly, 200j6]	1
	25	140356) Screw, Flt, .25-20 X 1.25, PI	4
101107	26	9007663) Housing, Chamber, Rm-Cphg, Afmkt [V-Wa-30] Frame, lower, charcoal	1
	27	069767136)● Circuitbreaker, 07.0a	1
	28	140519) Nut, Hex, Lock, #10-24, Kep, Ss	3
	29	039708045) Collar, Shaft	1
	30	039708133) Cam, Plastic	1
	31	1033654) Spring, Extn, 0.50od 0.04wir 01.4l	1
	32	039708039) Shaft, Cam	1
	33	039708146) Decal, Brush Adjust	1
	34	573077000)● Knob [Height Adjmt, Cv-301]	1
	35	140039) Washer, 1.5 X .38 X .13, Felt, White	1
	36	630508)● Seal, Org, .070 X 00.37id	1
	37	1014918)● Wheel, 03.0d 0.88w 0.31b, W/ Bshg, Rbr	1
	38	200055499) Screw, Pan, M8 X 1.25 X 40, SltD [Dn 85]	1
	39	140804) Screw, Rnd, Phl, 10-24 X 1.00, Ss	1

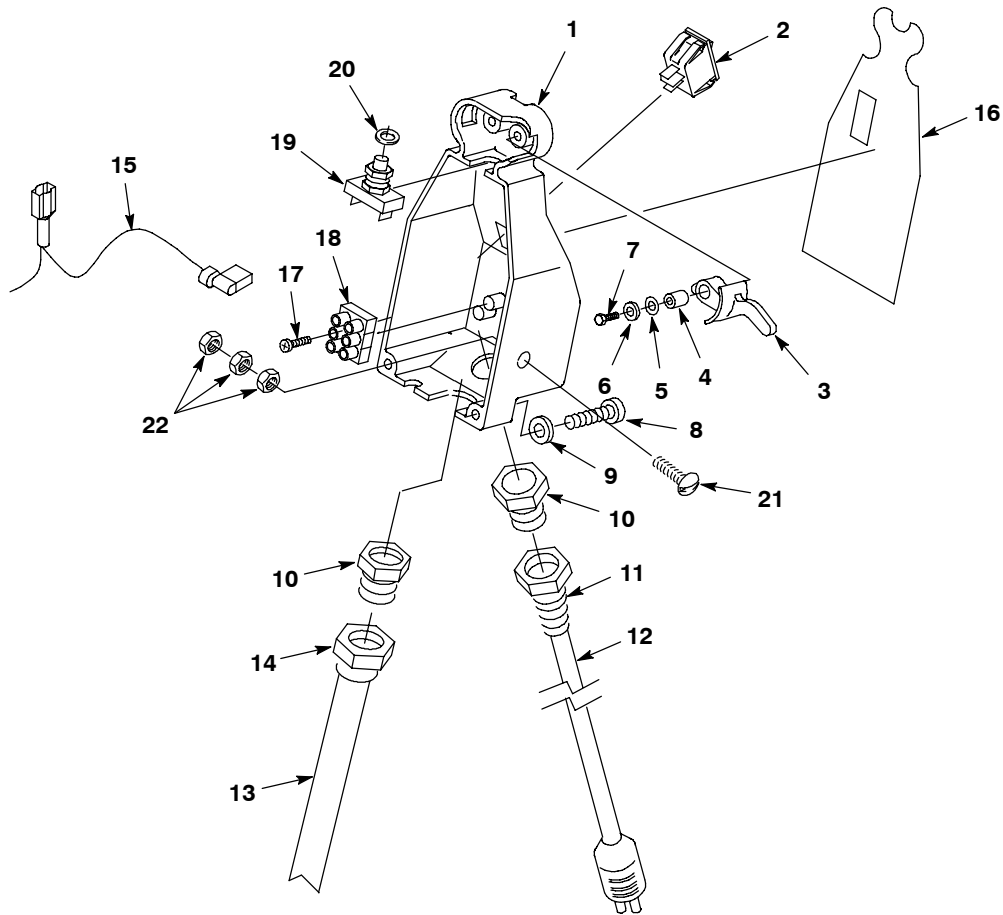
▽ ASSEMBLY

▲ INCLUDED IN ASSEMBLY

● RECOMMENDED STOCK ITEMS

STANDARD PARTS

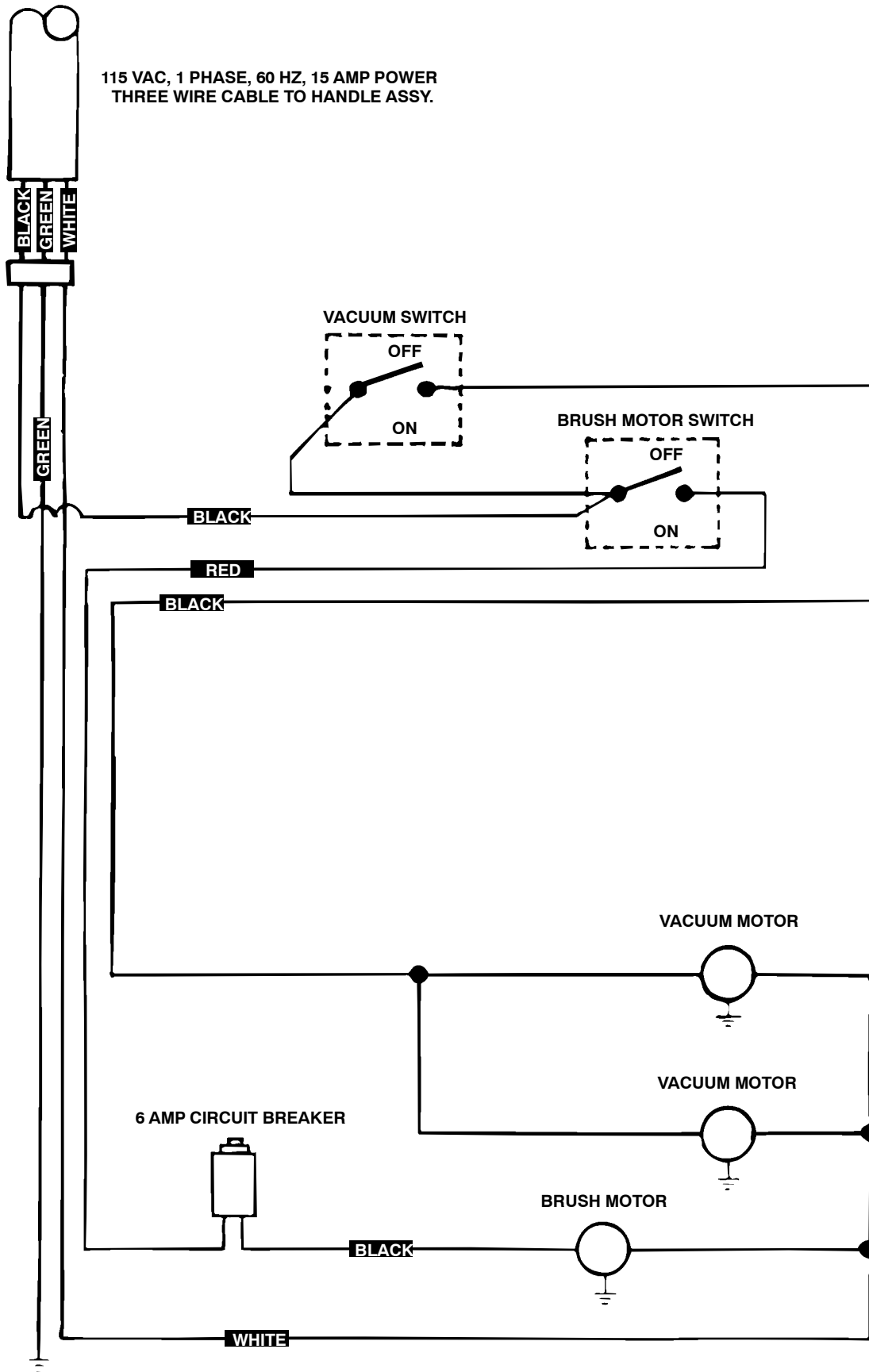
CONTROL CONSOLE GROUP



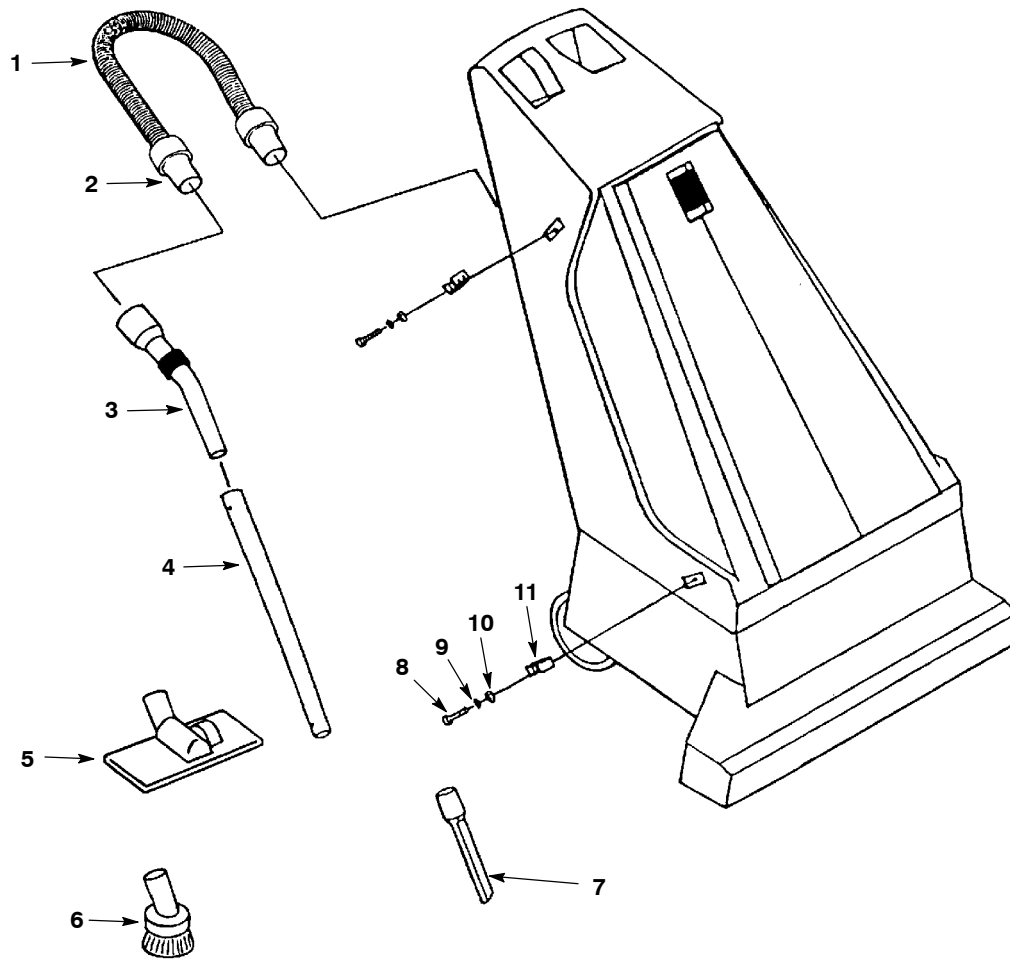
Ref.	Part No.	Serial Number	Description	Qty.
1	575577	(00000000-) Controlbox, Trigger, W/O Metering SI	1
2	578005000	(00000000-)● Switch, Rocker, Spst	1
3	578002000	(00000000-) Arm, Controlbox, Trigger	2
4	578082000	(00000000-) Tube, Plstc, 0.14id 0.31od 00.4l, Nyl	2
5	578186000	(00000000-) Washer, Flat, M4, PI	2
6	200662012	(00000000-) Washer, Lock, Int, M3, D6798	2
7	069764190	(00000000-) Screw, Hex, M3 X .5 X 16	2
8	578008000	(00000000-) Screw, Pan, Phl, M5 X 0.80 X 30, PI	3
9	07514	(00000000-) Washer, Lock, Int, 10, Ss	3
10	140504	(00000000-) Nut, Lock, Conduit, Pm08	2
11	130167	(00000000-)● Strainrelief, Cord, Ele, Pm08, Blk Nyl	1
12	573082	(00000000-)● Cord, Power, 14/3, 75ft Yel [Sjt]	1
13	573059	(00000000-) Cord, 14ga /5, 045.0l Yel [Sjto Harness]	1
14	130181	(00000000-)● Grip, Cord, Strainrelief, .50npt	1
15	578260000	(00000000-) Harness, 16ga /2 04.7l Blk	1
16	573406	(00000000-) Label, Console	1
17	140826	(00000000-) Screw, Pan, Phl, 06-20 X 0.75, Fmg/Ab,Ss	2
18	130005	(00000000-) Terminal, 25a, 3 Position Strip	1
19	130712	(00000000-)● Switch, Push, Spst, No	1
20	578430	(00000000-) Washer, Flat, 0.50d, PI [Spring-Disc]	1
21	140900	(00000000-) Screw, Trs, Phl, 10-24 X 0.75, Ss	1
22	140519	(00000000-) Nut, Hex, Lock, #10-24, Kep, Ss	3

● RECOMMENDED STOCK ITEMS

ELECTRICAL DIAGRAM, 120V



WAND AND HOSE KIT



Ref.	Part No.	Serial Number	Description	Qty.
▽	573070	(00000000-)● Wand Kit, W/ Hose & Accssry [Cv301]	1
▲▽	1 606159	(00000000-)● Hose, Vacuum, 1.25id X 028.0l, 2cuff,4:1	1
▲▲	2 160471	(00000000-)● Cuff, 1.5id Hose, 3.5l, Blk, Taper [Lt]	2
▲▽	610988	(00000000-)● Attmnt Kit, Std, Hose End, Wand, & Tools	1
▲▲	3 190902	(00000000-)● Vr, Cuff, Hose-End, Chm [Fa-3873b]	1
▲▲	4 605587	(00000000-)● Wand [Telescopic W/ Button Lock]	1
▲▲	5 605588	(00000000-)● Tool, Pickup, Carpet / Floor, W/ Wheel	1
▲▲	6 190715	(00000000-)● Tool, Brush, Dust	1
▲▲	7 190714	(00000000-)● Tool [Crevice]	1
▲	8 579259	(00000000-) Screw, Pan, Phl, M4 X 0.70 X 12, Pl	2
▲	9 200351014	(00000000-) Washer, Lock, Split, M4, Pl [Din127b]	2
▲	10 140032	(00000000-) Washer, Flat, 06, Ss	2
▲	11 573073	(00000000-)● Clip, Grip, Hose, 1.00-1.50, Stl, Pl	2

▽ ASSEMBLY

▲ INCLUDED IN ASSEMBLY

● RECOMMENDED STOCK ITEMS

