



Electronic Service Manuals

This electronic document is provided as a service to our customers. We do not create the contents of the information contained in this document. Should you have detailed questions pertaining to the information contained in this document, you may contact Michco, or the manufacturer which provided the original information in this electronic deliverable. Michco's only part in this electronic deliverable was the electronic assembly process. By providing this manual on line we are not guaranteeing parts availability.

You may contact Michco through the following methods:

Phone (517) 484-9312 or (800) 331-3339

2011 N. High St. -- Lansing, Michigan -- 48906

Fax: (517) 484-9836

Email: CustServe@Michco.com

Web site: www.Michco.Com

Parts Web site: www.FloorMachineParts.Com

Order Parts on Line at:

www.FloorMachineParts.Com

Directly to Parts & Service:

By Email: **Shop@Michco.com**

By Fax: (517) 702-2041

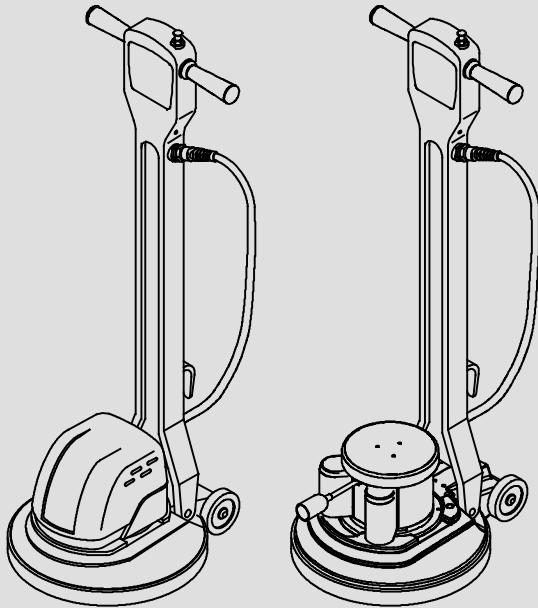
By Voice: Use numbers above.

Serving the Cleaning Industry Since 1922

Notice: All copyrighted material remains property of original owners, all trademarks are property of respective owners. Manuals are subject to Manufacturer's reproduction limitations. Originals or reproductions were provided by manufacturers through a request. We make no warranty as to the correctness of information provided in this document and you assume all risk. By placing these manuals on line we are not declaring our corporation to be an manufacturer authorized dealer or provider, please check our web site for authorized manufacturers we represent.



FM-17-SS / FM-43-SS
FM-20-SS / FM-51-SS
FM-20-DS / FM-51-DS



Floor Machine
Máquina para pisos
Nettoyeuse de Sols
Máquina para Pisos
擦地机

Operator Manual (EN)
Manual del Operario (ES)
Manuel Opérateur (FR)
Manual do Operador (PT)
操作员手册 (CN)

Model Part No.:

9007330 - FM-17-SS (120V/60Hz)
9007336 - FM-20-SS (120V/60Hz)
9007334 - FM-20-DS (120V/60Hz)
9007333 - FM-43-SS (220-240V/60Hz)
9007335 - FM-43-SS (220-240V/50Hz)
9007332 - FM-51-SS (220-240V/60Hz)
9007339 - FM-51-SS (220-240V/50Hz)
9007337 - FM-51-DS (230V/50/60Hz)
9007426 - FM-43-SS (220-240V/50Hz)



www.tennantco.com

NOBLES
www.nobles.com

9007341
Rev. 02 (06-2014)



This manual is furnished with each new model. It provides necessary operation and maintenance instructions.


Read this manual completely and understand the machine before operating or servicing it.

This machine will provide excellent service. However, the best results will be obtained at minimum costs if:


- The machine is operated with reasonable care.
- The machine is maintained regularly - per the machine maintenance instructions provided.
- The machine is maintained with manufacturer- supplied or equivalent parts.

Parts and supplies may be ordered online, by phone, by fax or by mail.

UNCRATING MACHINE: Carefully check carton for signs of damage. Report damages at once to carrier.



PROTECT THE ENVIRONMENT
Please dispose of packaging materials and old machine components in an environmentally safe way according to local waste disposal regulations.



Always remember to recycle.

MACHINE DATA

Please fill out at time of installation for future reference.

Model No. - _____

Serial No. - _____

Machine Options - _____

Sales Rep. - _____

Sales Rep. phone no. - _____

Customer Number - _____

Installation Date - _____

TABLE OF CONTENTS

SAFETY PRECAUTIONS	3
SAFETY LABEL	4
MACHINE COMPONENTS	5
MACHINE SETUP	5
MACHINE OPERATION	6
MACHINE MAINTENANCE	7
TRANSPORTING MACHINE	7
STORING MACHINE	8
RECOMMENDED STOCK ITEMS	8
TROUBLE SHOOTING	8
SPECIFICATIONS	9
MACHINE DIMENSIONS	9

Tennant Company
 PO Box 1452
 Minneapolis, MN 55440 USA
 Phone: (800) 553- 8033 or (763) 513- 2850
 www.tennantco.com
 www.nobles.com

Specifications and parts are subject to change without notice.
 Copyright © 2010-2014 TENNANT Company. All rights reserved.

SAFETY PRECAUTIONS

This machine is intended for commercial use only. It is designed exclusively to scrub floors in an indoor environment and is not constructed for any other use. Use only recommended pads/brushes and commercially available floor cleaners and waxes intended for machine application.

All operators must read, understand and practice the following safety precautions.

The following warning alert symbol and the "FOR SAFETY" heading are used throughout this manual as indicated in their description:

⚠ WARNING: To warn of hazards or unsafe practices which could result in severe personal injury or death.

FOR SAFETY: To identify actions which must be followed for safe operation of equipment.

Failure to follow these warnings may result in personal injury, electrical shock, fire or explosion.

⚠ WARNING: Fire Or Explosion Hazard:

- Never Use Flammable Liquids Or Operate Machine in Or Near Flammable Liquids, Vapors Or Combustible Dusts.

This machine is not equipped with an explosion proof motor. The electric motor will spark upon start up and during operation which could cause a flash fire or explosion if machine is used in an area where flammable vapors/liquids or combustible dusts are present.

⚠ WARNING: Electrical Hazard. Do Not Operate With Damaged Power Cord. Do Not Modify Plug. Unplug Power Cord Before Servicing Machine

If the supply cord is damaged or broken, it must be replaced by the manufacturer or it's service agent or a similarly qualified person in order to avoid a hazard.

⚠ WARNING: Electrical Shock Hazard. Do Not Use Outdoors. Do Not Expose to Rain. Store Indoors.

The following information signals potentially dangerous conditions to the operator or equipment:

FOR SAFETY:

1. Do not operate machine:

- With flammable liquids or near flammable vapors as an explosion or flash fire may occur.
- Unless trained and authorized.
- Unless operator manual is read and understood.
- Unless cord is properly grounded.
- With damaged cord or plug.
- If not in proper operating condition.
- In outdoor areas.
- In standing water.
- With the use of an extension cord.

2. Before starting machine:

- Make sure all safety devices are in place and operate properly.
- Remove loose objects on floor to prevent dangerous projectiles if struck by spinning pad.
- Place wet floor signs as needed.

3. When using machine:

- Stay clear of spinning pad.
- Do not pull machine by plug or cord.
- Do not run machine over cord.
- Do not pull cord around sharp edges or corners.
- Do not close doors on cord.
- Do not unplug by pulling on cord.
- Do not stretch cord.
- Do not handle plug with wet hands.
- Keep cord away from heated surfaces.
- Follow mixing and handling instructions on chemical containers.
- Never activate the power when the handle is in the upright position.
- Do not release handles until pad comes to a complete stop.
- Go slow on inclines and slippery surfaces.
- Wear non-slip shoes.
- Report machine damage or faulty operation immediately.
- Never allow children to play on or around.

4. Before leaving or servicing machine:

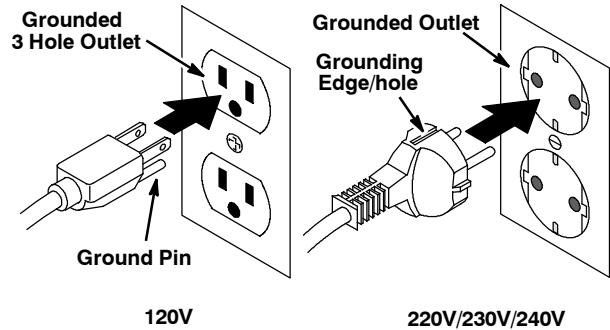
- Turn off machine.
- Unplug cord from wall outlet.

5. When servicing machine:

- Unplug cord from wall outlet.
- Avoid moving parts. Do not wear loose jackets, shirts, or sleeves.
- Use manufacturer supplied or approved replacement parts.

- All repairs must be performed by a qualified service person.
 - Do not modify the machine from its original design.
6. When transporting machine:
- Get assistance when lifting machine.
 - Unplug cord from wall outlet.
 - Use tie-down straps to secure machine to truck or trailer.

120V Models: This machine is for use on a nominal 120-volt circuit and has a grounding attachment plug that looks like the plug illustrated. Make sure that the machine is connected to an outlet having the same configuration as the plug. No adaptor should be used with this machine.



GROUNDING INSTRUCTIONS

Machine must be grounded. If it should malfunction or breakdown, grounding provides a path of least resistance for electrical current to reduce the risk of electrical shock. This machine is equipped with a cord having an equipment-grounding conductor and grounding plug. The plug must be plugged into an appropriate outlet that is properly installed in accordance with all local codes and ordinances. Do not remove ground pin; if missing, replace plug before use.

SAFETY LABEL

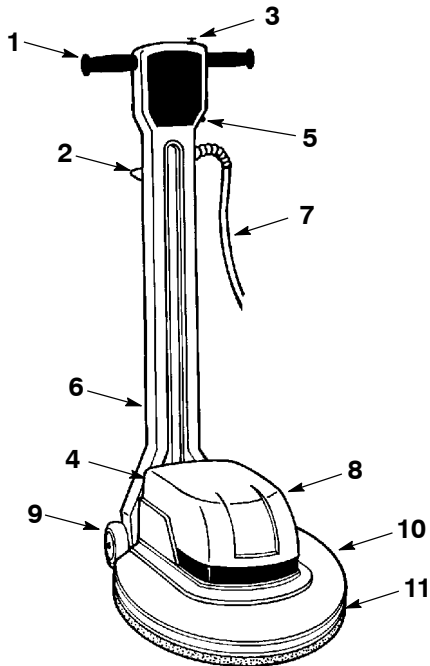
The safety label appears on the machine in the location indicated. Replace label if it is missing or becomes damaged or illegible.



WARNING LABEL - LOCATED ON BACK SIDE OF MACHINE HANDLE.

⚠ WARNING	
EXPLOSION, FIRE AND SHOCK HAZARD. AVOID INJURY.	
<ul style="list-style-type: none"> • Do Not Use Flammable Liquids or Operate Near Flammable Liquids, Vapors or Combustible Dusts. • Do Not Operate With Damaged Power Cord. Do Not Modify Plug. Unplug Power Cord Before Servicing Machine. • Do Not Use Outdoors. Do Not Expose to Rain. Store Indoors. 	
⚠ AVERTISSEMENT	
RISQUE D'EXPLOSION, D'INCENDIE ET DE DÉCHARGE. ÉVITEZ LES BLESSURES.	
<ul style="list-style-type: none"> • N'utilisez Pas Près de Liquides Inflammables ou Près de Liquides ou Vapeurs Inflammables ou Poussières Combustibles. • N'utilisez Pas la Machine Avec un Cordon d'Alimentation Endommagé. Ne Modifiez Pas la Prise. Débranchez le Cordon d'Alimentation Avant d'Entretenir la Machine. • N'utilisez Pas en Extérieur. N'Exposez Pas à la Pluie. Entrezposez à l'Intérieur. 	
⚠ ADVERTENCIA	
PELIGRO DE EXPLOSIÓN, FUEGO, DESCARGA EVITE LESIONES.	
<ul style="list-style-type: none"> • No Use Líquidos Flamables Y No Use Cerca De Líquidos Flamables, Vapores Ó Materiales Combustibles. • No Use Con Cable De Corriente Dañado. No Altere El Enchufe. Desconecte Cable De Corriente Antes Del Mantenimiento. • No Use Al Aire Libre. No Exponga A La Lluvia. Guarde Bajo Techo. 	
1026385	

MACHINE COMPONENTS



1. Power On/Off Handle Grips
2. Handle Height Adjustment Lever
3. Safety Lock Button
4. Speed Select Switch (Dual Speed Model)
5. Circuit Breaker Reset Button
6. Power Cord Hook
7. 15m (50 ft.) Power Cord
8. Motor Cover
9. Transport Wheels 102mm (4 in.)
10. Scrub Head Base
11. Bumper

MACHINE SETUP

Carefully check carton for signs of damage. Report damages at once to carrier.

INSTALLING PAD DRIVER / PAD / BRUSH

FOR SAFETY: Before leaving or servicing machine, unplug cord from wall outlet.

ATTENTION: If cleaning carpets, refer to the “CLEANING CARPETS” section in this manual.

1. With the handle in the upright position carefully tilt the machine backwards and rest the handle on the floor.
2. Position pad on pad driver. If machine is equipped with plastic centerlock, secure pad with lock.

NOTE: Consult your authorized distributor for pad and brush recommendations. Use only manufacturer supplied or approved pad drivers and brushes.

3. Position the pad driver/brush on the drive motor hub and turn it counter-clockwise to engage (Figure 1).

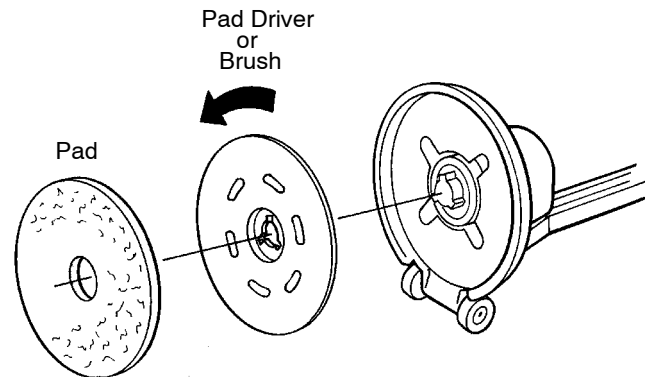


FIG. 1

4. Return machine to the upright position.

MACHINE OPERATION

FOR SAFETY: Do not operate machine, unless operator manual is read and understood.

⚠ WARNING: Fire or Explosion Hazard. Never Operate Machine In Or Near Flammable Liquids, Vapors Or Combustible Dusts.

OPERATING MACHINE

1. Plug the power cord into a grounded wall outlet (Figure 2).

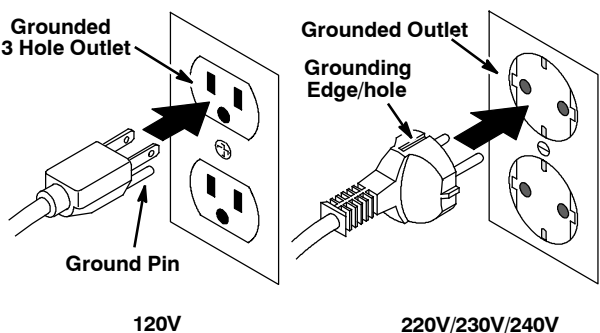


FIG. 2

FOR SAFETY: Do not operate machine unless cord is properly grounded. Do not operate machine with damaged cord or plug. Do not operate machine with the use of an extension cord.

2. For Dual Speed Models, select the appropriate motor speed. Position the speed select switch downward (185rpm) for scrubbing, stripping and carpet cleaning. Position the speed select switch upward (300rpm) for spray buffing (Figure 3).

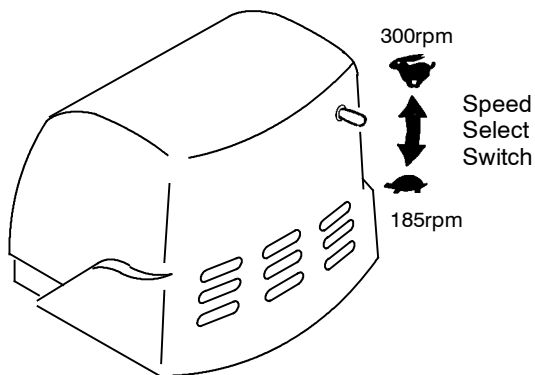


FIG. 3

3. Lower the handle to a comfortable operating height by pulling the handle height adjustment lever upward. Release lever to engage handle (Figure 4).

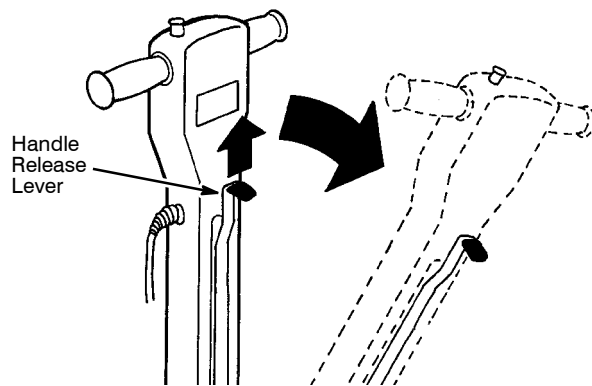


FIG. 4

4. Before starting the machine, hold the handle so the machine base is parallel to floor. This will reduce the abrupt jolt when starting the machine.

NOTE: For first time users, practice with a polishing pad which is less aggressive.

5. To begin scrubbing, hold the handles firmly, depress the safety lock button and twist handle grips forward. Release the safety lock button once machine starts (Figure 5).

ATTENTION: Use caution when starting out, the machine will jolt when the twist grips are turned.

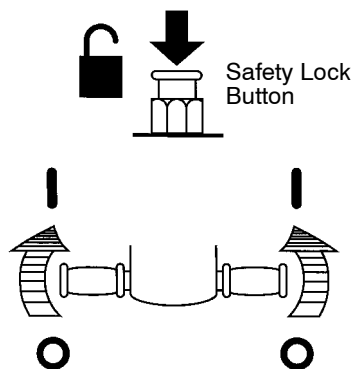


FIG. 5

6. To move the machine left (A), slightly lower the handle. To move right (B), slightly raise the handle. Operate the machine with a side to side motion (Figure 6).

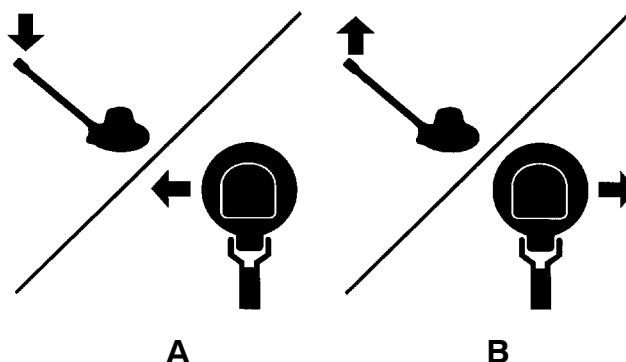


FIG. 6

NOTE: When pad becomes soiled, remove pad and turn over to expose clean side. Remove and wash pad after both sides become soiled.

- To stop machine, rotate the handle grips backwards and hold handles firmly until machine comes to a complete stop. The safety lock button will automatically engage.

FOR SAFETY: When using machine, do not release handles until pad comes to a complete stop.

NOTE: The machine's circuit breaker may trip under conditions of excessive overload. Change to a less aggressive pad/brush and periodically check pad for soil build-up. To reset circuit breaker switch, wait 15 seconds and press the reset button located on the handle.

- Do not operate the machine in the same spot for a long period of time. Floor damage may result.
- To maneuver over thresholds and floor grates, stop the machine and tilt it back on the transport wheels.
- When machine is not in use, do not leave machine standing on the pad/brush. Pad/brush damage may result.
- When done scrubbing perform the following machine maintenance procedures.

OPERATING THE OPTIONAL SOLUTION TANK

- Fill the solution tank with a recommended solution.

⚠ WARNING: Fire or Explosion Hazard. Never Use Flammable Liquids.

FOR SAFETY: When using machine, follow mixing and handling instructions on chemical containers.

- Lower handle to working position. Pull the solution control knob to disperse solution to the pad/brush.

CLEANING CARPETS

Shampoo carpet brush required. Do not use a brush that is intended for hard floors; personal injury and carpet damage may result. Order Shampoo Carpet Brush p/n 604989 (43 cm/17 in), 607463 (50 cm/20 in) or consult your distributor or dealer for recommendations.

Before operating the machine on carpet, the carpet must be presprayed with an approved cleaning solution. The solution will act as a lubricant to allow the shampoo brush to spin with little resistance.

FOR SAFETY: To avoid a jolt when starting the machine on carpet, use a recommended shampoo carpet brush and prespray the carpet.

When using the Dual Speed model to clean carpets, do not operate machine at high speed; personal injury may result.

For best cleaning results allow the presprayed cleaning solution to "dwell" on the carpet for approximately 10- 12 minutes before scrubbing. Using only a shampoo carpet brush, operate the machine at a gradual, steady pace.

After scrubbing, while carpet is still wet, use an extractor or wet- vacuum to pick up suspended soil and foam. Then vacuum carpet when it's completely dry.

MACHINE MAINTENANCE

⚠ WARNING: Electrical hazard. Unplug Power Cord Before Servicing Machine

- Remove and clean the pad driver/brush after each use.
- Clean the machine base after each use.
- If equipped, rinse solution tank and solution supply hose with clear water.
- Inspect power cord for damage after each use. If worn or damaged, replace immediately.
- Wipe the power cord with damp cloth and neatly coil it around cord hook and handle after each use.
- Periodically check that all bolts and nuts are tight.
- Dual Speed Model: Every 250 hours of operation, check the motor for carbon brush wear. Replace brushes when worn to a length of 1 cm (0.38 in) or less. Contact an Authorized Service Center for carbon brush inspection.

FOR SAFETY: When servicing machine, all repairs must be performed by a qualified service person.

TRANSPORTING MACHINE

- Unplug the power cord and remove the pad from the machine. Neatly coil the cord around the cord hook and handle to prevent cord damage.
- Load the machine using a recommended loading ramp or carefully lift the machine with adequate assistance.

FOR SAFETY: When transporting machine, get assistance when lifting machine.

- Secure machine with tie- down straps when transporting by vehicle.

STORING MACHINE

1. Remove brush/pad driver from machine and neatly coil cord around cord hook and handle.
2. Store machine in a dry area in the upright position.

⚠ WARNING: Electrical Shock Hazard.
Do Not Use Outdoors. Do Not Expose to Rain.
Store Indoors.

TROUBLE SHOOTING

PROBLEM	CAUSE	SOLUTION
Machine does not operate.	Faulty power cord.	Contact Service Center.
	Tripped circuit breaker.	Reset circuit breaker on machine.
	Tripped building circuit breaker.	Reset circuit breaker in building.
	Faulty machine wiring.	Contact Service Center.
	Faulty On/Off handle switch.	Contact Service Center.
	Faulty motor.	Contact Service Center.
	Capacitor burned out (Single speed models).	Contact Service Center.
	Rectifier burned out (Dual speed models).	Contact Service Center.
Machine operates with a wobble or jerky motion.	Soiled Pad.	Replace Pad.
	Improper pad/brush for application.	Change to proper pad/brush.
	Pad driver/brush not installed correctly.	Remove and reinstall pad driver/brush.
	Pad/brush unevenly worn.	Replace pad/brush.
Machine circuit breaker trips continuously.	Pad not properly centered on pad driver.	Remove and reinstall pad.
	Heavily soiled pad/brush.	Clean or replace pad/brush.
	Improper pad/brush for application.	Change to proper pad/brush.
	Defective circuit breaker.	Contact Service Center.
	Worn carbon brushes in motor.	Contact Service Center.

RECOMMENDED STOCK ITEMS

Refer to the Parts List manual for recommended stock items. Stock Items are clearly identified with a bullet preceding the parts description. See example below:

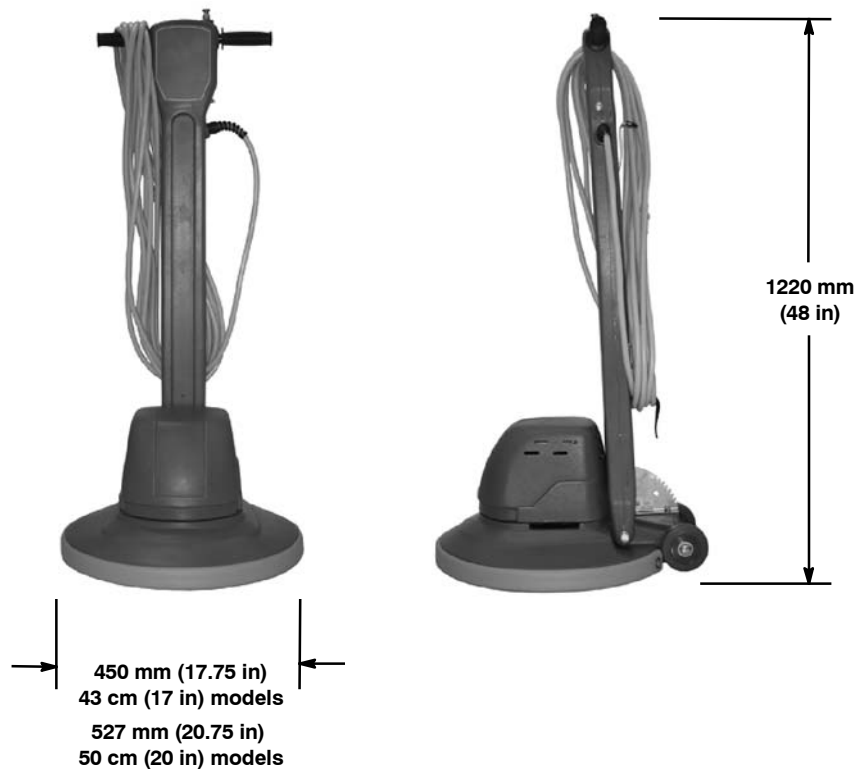
26	1017380	(00000000-) • Hose, Drain, Assy, 1.5d X 29.5l, Blk,Flx
27	1008639	(00000000-) • Drain Assy
28	1019563	(00000000-) • Strap, Drain Cap
29	1008637	(00000000-) • O Ring, 1.48" Id, 1.76" Od

SPECIFICATIONS

MODEL	FM-17-SS / FM-43-SS	FM-20-SS / FM-51-SS	FM-20-DS / FM-51-DS
WIDTH	17.75 in / 450 mm	20.75 in / 527 mm	20.75 in / 527 mm
HEIGHT	48 in / 1220 mm	48 in / 1220 mm	48 in / 1220 mm
WEIGHT	95 lb / 43 kg	95 lb / 43 kg	95 lb / 43 kg
DRIVE MOTOR	120V, 1.5 hp 12A, 60Hz	120V, 1.5 hp 12A, 60Hz	120V, 1.5 hp 12A, 60Hz
	240V, 1.1 kW, 7A, 50Hz	230V, 1.1 kW, 7A, 50Hz	230V, 1.1kW, 7A, 60Hz
DRIVE MOTOR	230V, 1.1 kW, 7A, 60Hz	220V, 1.1 kW, 7A, 60Hz	
PAD/BRUSH SPEED	175 RPM	175 RPM	185/330 RPM
POWER CORD LENGTH	50 ft / 15M	50 ft / 15M	50 ft / 15M
BRUSH/PAD DIA.	432 mm (17 in)	508 mm (20 in)	508 mm (20 in)
DECIBEL RATING AT OPERATOR'S EAR, INDOORS ON TILE FLOOR	<70dB(A)	<70dB(A)	71dB(A) At Low Speed 73dB(A) At High Speed

Specifications subject to change without notice.

MACHINE DIMENSIONS



Este manual acompaña a los modelos nuevos e incluye las instrucciones necesarias para su utilización y mantenimiento.


Lea todo el manual para familiarizarse con la máquina antes de utilizarla o realizar tareas de mantenimiento.

Esta máquina ofrece un funcionamiento excelente y puede obtener los mejores resultados con los mínimos costes si:

- Maneja la máquina con un cuidado razonable.
- Revisa la máquina periódicamente, de acuerdo con las instrucciones de mantenimiento adjuntas.
- Las operaciones de mantenimiento de la máquina se realizan con piezas suministradas por el fabricante o equivalentes.


Puede solicitar las piezas a través de internet, por teléfono, por fax o por correo.

DESEMBALADO DE LA MÁQUINA: Controle cuidadosamente si la caja presenta signos de deterioro. Si detecta desperfectos, informe inmediatamente al transportista.



PROTECCIÓN DEL MEDIO AMBIENTE

Deseche el material de embalaje y los componentes usados de la máquina de forma segura para el medio ambiente, de acuerdo con las normativas locales sobre desecho de residuos.



No olvide reciclar.

DATOS DE LA MÁQUINA

Rellénela cuando realice la instalación para utilizarla como referencia en el futuro.

Nº modelo: _____

Nº serie: _____

Opciones de la máquina: _____

Vendedor: _____

Nº de teléfono del vendedor: _____

Nº de cliente: _____

Fecha de instalación: _____

ÍNDICE

MEDIDAS DE SEGURIDAD	11
ADHESIVO DE SEGURIDAD	12
COMPONENTES DE LA MÁQUINA	13
PREPARACIÓN DE LA MÁQUINA	13
OPERACIÓN DE LA MÁQUINA	14
MANTENIMIENTO DE LA MÁQUINA	16
TRANSPORTE DE LA MÁQUINA	16
ALMACENAMIENTO DE LA MÁQUINA	16
STOCK RECOMENDADO DE REPUESTOS ...	16
LOCALIZACIÓN DE AVERÍAS	17
ESPECIFICACIONES	18
DIMENSIONES DE LA MÁQUINA	18

Tennant Company

PO Box 1452
Minneapolis, MN 55440 EE.UU.
Teléfono: (800) 553- 8033 o (763) 513- 2850
www.tennantco.com
www.nobles.com

Las características técnicas y las piezas están sujetas a modificaciones sin previo aviso.

Copyright © 2010- 2014 TENNANT Company.
Todos los derechos reservados.

MEDIDAS DE SEGURIDAD

Esta máquina está destinada al uso comercial. Está diseñada exclusivamente para fregar suelos en recintos cerrados y no debe utilizarse para ningún otro uso. Utilice únicamente los cepillos, almohadillas y limpiadores de suelos específicos recomendados para máquinas disponibles en el mercado.

Todos los operarios deben leer, comprender y cumplir las siguientes medidas de seguridad:

A lo largo de todo el manual se utilizan los siguientes símbolos de advertencia y encabezados "PARA SU SEGURIDAD" descritos a continuación:

⚠ ADVERTENCIA: Advierte sobre riesgos o prácticas inseguras que podrían provocar lesiones personales graves o fatales.

PARA SU SEGURIDAD: Identifica las operaciones que debe realizar para una utilización segura del equipo.

El no cumplimiento de estas advertencias puede causar lesiones personales, descargas eléctricas, incendios y explosiones.

⚠ ADVERTENCIA: Peligro de incendio o explosión:

- Nunca utilice líquidos inflamables ni haga funcionar la máquina en las proximidades de líquidos, vapores o polvos inflamables.

Esta máquina no está equipada con motor a prueba de explosión. El motor eléctrico emite chispas al arrancar y durante el funcionamiento lo que podría causar un fuego explosivo o explosión si la máquina se usa en una área donde están presentes vapores/líquidos inflamables o polvos combustibles.

⚠ ADVERTENCIA: Peligro eléctrico. No opere con un cordón eléctrico dañado. No modifique el enchufe. Desenchufe el cordón eléctrico antes de reparar la máquina.

Si el cordón del suministro se daña o se rompe, debe ser reemplazado por el fabricante o su agente de servicio o una persona similarmente calificada para evitar un riesgo.

⚠ ADVERTENCIA: Peligro choque eléctrico. No use al aire libre. No exponga a la lluvia. Almacén bajo techo.

La siguiente información indica las condiciones potencialmente peligrosas para el operario o equipo:

PARA SU SEGURIDAD:

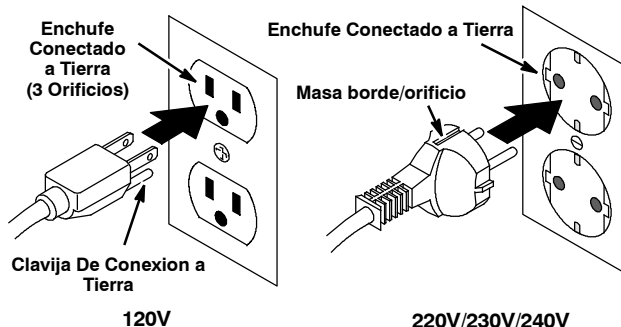
1. No utilice la máquina:
 - Con líquidos inflamables o cerca de gases inflamables, ya que podría provocar explosiones o llamaradas.
 - Salvo que esté debidamente formado y autorizado.
 - Salvo haber leído y comprendido el manual del operario.
 - A menos que el cordón se conecte apropiadamente a tierra.
 - Con un cordón o enchufe dañados.
 - Si la máquina no funciona correctamente.
 - En áreas al aire libre.
 - En agua estancada.
 - Con el uso de una extensión de cordón.
2. Antes de arrancar la máquina:
 - Asegúrese de que todos los dispositivos de seguridad se encuentren en su lugar y funcionen correctamente.
 - Quite objetos sueltos en suelo para prevenir proyectiles peligrosos si son golpeados por la almohadilla giratoria.
 - Coloque señales de piso húmedo según se necesite.
3. Al utilizar la máquina:
 - Aléjese de la almohadilla giratoria.
 - No tire de la máquina por el enchufe o el cordón.
 - No pase la máquina encima del cordón.
 - Evite pasar el cable por bordes agudos o esquinas.
 - No cierra las puertas sobre el cordón.
 - No desenchufe tirando del cordón.
 - No estire el cordón.
 - No maneje el enchufe con las manos húmedas.
 - Mantenga el cordón lejos de las superficies calientes.
 - Siga las instrucciones de mezcla y manipulación indicadas en los depósitos para los productos químicos.
 - Nunca active la potencia cuando la manija esté en posición vertical.
 - No suelte las manijas hasta que la almohadilla se detenga completa.
 - Conduzca despacio en pendientes y superficies resbaladizas.

- Utilice calzado antideslizante.
 - Informe inmediatamente de las averías de la máquina o si el funcionamiento no es correcto.
 - No permita nunca que los niños jueguen encima o alrededor de la máquina.
4. Antes de abandonar o revisar la máquina:
- Apague la máquina.
 - Desenchufe cordón del tomacorriente de la pared.
5. Al revisar la máquina:
- Desenchufe cordón del tomacorriente de la pared.
 - Evite las partes en movimiento. No utilice chaquetas, camisas o mangas sueltas.
 - Utilice repuestos suministrados o aprobados por el fabricante.
 - Todas las reparaciones deben ser realizadas por personal técnico cualificado.
 - No modifique el diseño original de la máquina.
6. Al transportar la máquina:
- Pida ayuda para levantar la máquina.
 - Desenchufe cordón del tomacorriente de la pared.
 - Utilice las cintas para fijar la máquina al camión o remolque.

INSTRUCCIONES PARA REALIZAR LA TOMA DE TIERRA

La máquina debe estar conectada a una toma de tierra. En caso de funcionamiento incorrecto o avería de la máquina, la toma de tierra proporciona el camino de menor resistencia a la corriente eléctrica reduciendo de este modo el riesgo de descarga eléctrica. La máquina está equipada con un cable y enchufe con toma de tierra. Conecte el enchufe en un enchufe apropiado correctamente instalado de acuerdo con los códigos y ordenanzas locales. No extraer la clavija de conexión a tierra; si falta, reemplazar el enchufe antes de usar.

Modelo 120V: Este artefacto es para usar en un circuito nominal de 120 voltios y tiene un enchufe de aditamento para conectar a tierra que se parece al enchufe ilustrado en la figura. Asegurarse que el artefacto esté conectado a un tomacorrientes con la misma configuración que el enchufe. No se debe usar un adaptador con este artefacto.



ADHESIVO DE SEGURIDAD

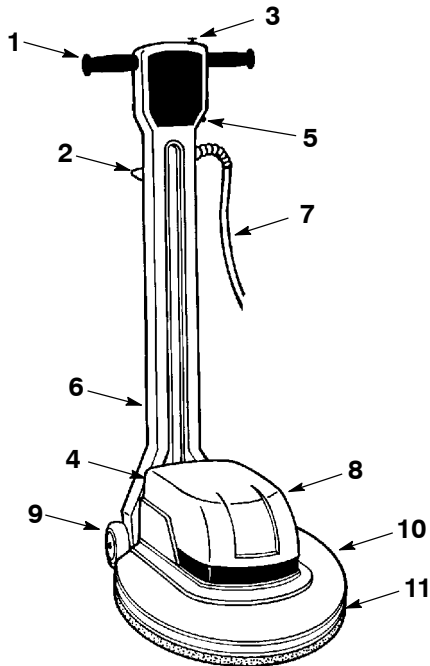
La adhesivo de seguridad aparece en la máquina en la localización indicada. Sustituya el adhesivo si se ha desprendido, o está deteriorado o son ilegible.



ETIQUETA DE ADVERTENCIA -
Ubicada en el reverso de la manija de la máquina.

⚠ WARNING	
EXPLOSION, FIRE AND SHOCK HAZARD. AVOID INJURY. • Do Not Use Flammable Liquids or Operate Near Flammable Liquids, Vapors or Combustible Dusts. • Do Not Operate With Damaged Power Cord. Do Not Modify Plug. Unplug Power Cord Before Servicing Machine. • Do Not Use Outdoors. Do Not Expose to Rain. Store Indoors.	
⚠ AVERTISSEMENT	
RISQUE D'EXPLOSION, D'INCENDIE ET DE DÉCHARGE. ÉVITEZ LES BLESSURES. • N'utilisez Pas Près de Liquides Inflammables ou Près de Liquides ou Vapeurs Inflammables ou Poussières Combustibles. • N'utilisez Pas la Machine Avec un Cordon d'Alimentation Endommagé. Ne Modifiez Pas la Prise. Débranchez le Cordon d'Alimentation Avant d'Entretien la Machine. • N'utilisez Pas en Extérieur. N'Exposez Pas à la Pluie. Entreposez à l'Intérieur.	
⚠ ADVERTENCIA	
PELIGRO DE EXPLOSIÓN, FUEGO, DESCARGA EVITE LESIONES. • No Use Líquidos Flamables Y No Use Cerca De Líquidos Flamables, Vapores Ó Materiales Combustibles. • No Use Con Cable De Corriente Dañado. No Altere El Enchufe. Desconecte Cable De Corriente Antes Del Mantenimiento. • No Use Al Aire Libre. No Exponga A La Lluvia. Guarde Bajo Techo.	
1026385	

COMPONENTES DE LA MÁQUINA



1. Empuñaduras de torsión eléctricas Encendido/Apagado
2. Palanca de ajuste de altura de la manija
3. Botón de calce de seguridad
4. Interruptor del selector de velocidad
5. Botón de regradación del interruptor de circuitos
6. Gancho para el cable eléctrico
7. 15m (50 pies) Cable eléctrico
8. Caja del Motor
9. Ruedas de transporte de 102mm (4 pulg.)
10. Base del cabezal de limpieza
11. Paragolpes

PREPARACIÓN DE LA MÁQUINA

Controle cuidadosamente si la caja presenta signos de deterioro. Si existieran desperfectos, informe inmediatamente al transportista.

INSTALACIÓN DEL MANDO EN LA BASE

PARA SU SEGURIDAD: Antes de dejar o prestar servicio a la máquina, desenchufar el cordón del tomacorrientes de la pared.

ATENCIÓN: Refiérase a la sección de “LIMPIEZA DE ALFOMBRAS” de este manual en caso de limpieza de alfombras.

1. Con la manija en posición vertical incline cuidadosamente la máquina hacia atrás y deje la manija apoyada sobre el piso.
2. Instale la almohadilla sobre el impulsor de la almohadilla. Si la máquina tenga un cierre central plástico, fijar la almohadilla con el cierre central.

NOTA: Consulte a su distribuidor autorizado el tipo de cepillo/almohadilla recomendado para sus necesidades. Utilice únicamente impulsores de las almohadillas y cepillos suministrados y homologados por el fabricante.

3. Coloque el impulsor de la almohadilla/cepillo sobre el cubo del motor de impulsión y gírelo en sentido contrario al de las agujas del reloj para inmovilizarlo (Figura 1).

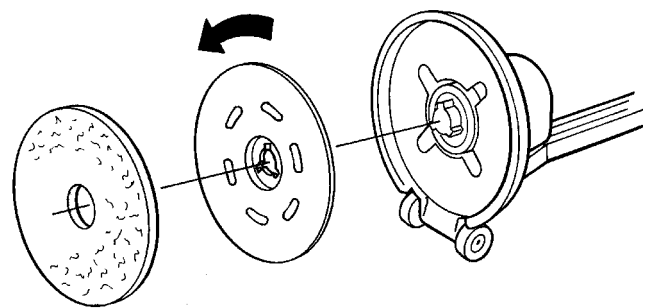


FIG. 1

4. Devuelva la máquina a la posición vertical.

OPERACIÓN DE LA MÁQUINA

PARA SU SEGURIDAD: No utilice la máquina salvo que el operario haya leído y comprendido el manual de instrucciones.

⚠ ADVERTENCIA: Peligro de incendio o explosión. **NUNCA** haga funcionar la máquina sobre o en las proximidades de líquidos, vapores o polvos inflamables.

UTILIZACIÓN DE LA MÁQUINA

1. Enchufe el cable eléctrico en una toma de la pared con toma de tierra (Figura 2).

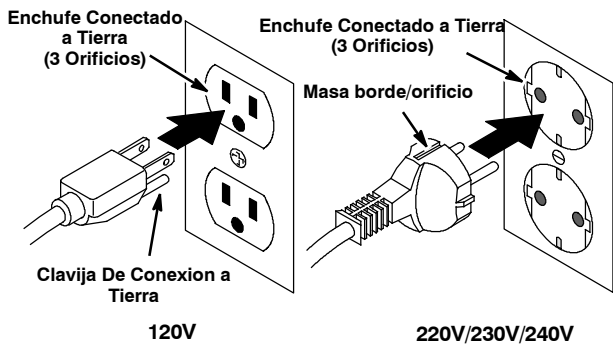


FIG. 2

PARA SU SEGURIDAD: Peligro eléctrico. No operar la máquina a menos que la máquina esté bien conectada a tierra. No operar la máquina con un cordón o enchufe dañado. No operar la máquina con el uso de un cordón de extensión.

2. Para los modelos de dos velocidades seleccione la velocidad deseada del motor. Coloque el conmutador de selección de velocidad en posición baja (185 rpm) para limpiar, pelar y lavar alfombras. Coloque el conmutador de selección de velocidad en posición alta (300 rpm) para lustrado por rociado (Figura 3).

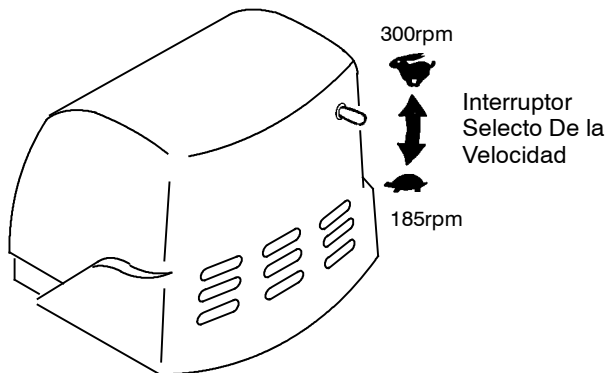


FIG. 3

3. Baje el mando hasta la altura de funcionamiento deseada tirando de la palanca de ajuste de la altura del mando. Suelte la palanca para inmovilizar el mando (Figura 4).

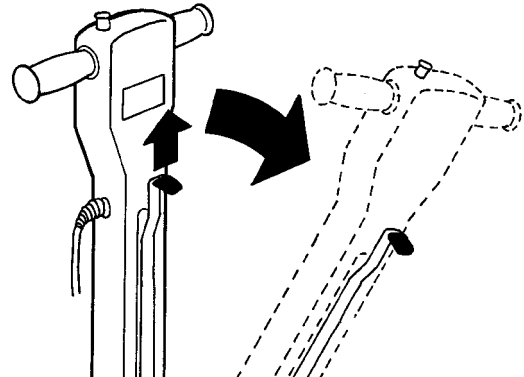


FIG. 4

4. Antes de arrancar la máquina, sujete el mando de modo que la base de la máquina esté paralela al suelo. Esto reducirá el desplazamiento incontrolado al arrancar la máquina.

NOTA: Es aconsejable que los operarios que utilicen la máquina por primera vez practiquen con la almohadilla de abrillantado que es menos agresiva.

5. Para comenzar a pulir, sujete las manijas firmemente, oprima el botón de calce de seguridad y gire las empuñaduras de la manija hacia adelante. Suelte el botón de calce de seguridad una vez que arranca la máquina (Figura 5).

ATENCIÓN: Extreme las precauciones las primeras veces que utilice la máquina. La máquina puede dar fuertes sacudidas si no se utiliza correctamente.

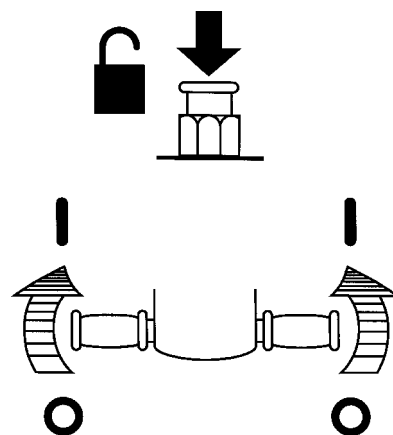


FIG. 5

6. Para desplazar la máquina hacia la izquierda (A), baje ligeramente el mando. Para desplazarla hacia la derecha (B), eleve ligeramente el mando. Desplace la máquina con movimientos laterales (Figura 6).

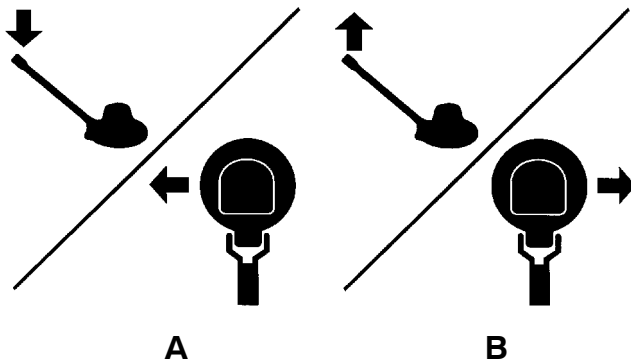


FIG. 6

NOTA: Cuando la almohadilla se ensucia, extraiga la almohadilla y revierta para exponer el lado limpio. Extraiga y lave la almohadilla después que ambos lados estén sucios.

7. Para detener la máquina, gire las empuñaduras del mango hacia atrás y sujete firmemente las manijas hasta que la máquina se detenga completamente. El botón de calce de seguridad se engancha automáticamente.

PARA SU SEGURIDAD: Al utilizar la máquina, no suelte los mandos hasta que la almohadilla se haya detenido totalmente.

NOTA: El interruptor de circuito de la máquina puede activarse bajo condiciones de sobrecarga excesiva. Cambie a una almohadilla/cepillo menos agresivo e inspeccione periódicamente la almohadilla por acumulación de suciedad. Para regraduar el conmutador del interruptor de circuito, espere 15 segundos y oprima el botón de regraduación ubicado en la manija.

8. No utilice la máquina en el mismo lugar durante mucho tiempo. Podría deteriorar el suelo.
9. Para maniobrar sobre umbrales y rejillas, detenga la máquina e inclínela hacia atrás hasta situarla sobre las ruedas de transporte.
10. No deje la máquina vertical sobre el cepillo/almohadilla cuando no la utilice. Podría deteriorar el cepillo o la almohadilla.
11. Una vez finalizada la operación de fregado, realice las siguientes operaciones de mantenimiento de la máquina.

UTILIZACIÓN DEL DEPÓSITO OPCIONAL DE DISOLUCIÓN

1. Llene el depósito de disolución con la disolución recomendada.

⚠ ADVERTENCIA: Peligro de incendio o explosión. No utilizar NUNCA líquidos inflamables.

PARA SU SEGURIDAD: Siga las instrucciones de mezcla y manipulación indicadas en los envases de los productos químicos cuando utilice la máquina.

2. Baje el mando hasta la posición de trabajo. Tire de la palanca de control de la disolución para dirigir la disolución hacia el cepillo/almohadilla.

LIMPIEZA DE ALFOMBRAS

Se requiere un cepillo para aplicar champú a la alfombra. No use un cepillo para pesos duros ya que puede resultar en lesiones y daños a la alfombra. Ordene Shampoo Carpet Brush n/p 604989- 43 cm (17”), 607463- 50 cm (20”) o consulte con su distribuidor o concesionario para las recomendaciones.

Antes de usar la máquina en alfombras, la alfombra debe prerociarse con una solución aprobada de limpieza. La solución actuará como un lubricante para permitir que el cepillo para champú gire con poca resistencia.

PARA SU SEGURIDAD: Para evitar una sacudida al arrancar la máquina en la alfombra, use un cepillo recomendado para aplicar champú a las alfombras y prerrocíe la alfombra.

Al usar el modelo Dual Speed para limpiar alfombras, no haga funcionar la máquina a alta velocidad; pueden resultar lesiones personales.

Para obtener los mejores resultados de limpieza permita que la solución limpiadora prerrocíada permanezca en la alfombra durante 10- 12 minutos antes de limpiar. Usando sólo un cepillo para aplicar champú a la alfombra, haga funcionar la máquina a un paso gradual, consistente.

Después de limpiar y mientras la alfombra está todavía húmeda, use un extractor o aspiradora para líquidos para aspirar suciedad y espuma en suspensión. Cuando la alfombra está totalmente seca pase la aspiradora.

MANTENIMIENTO DE LA MÁQUINA

⚠ ADVERTENCIA: Peligro eléctrico. Desenchufe el cordón eléctrico antes de reparar la máquina.

1. Retire y limpie el impulsor de la almohadilla/cepillo después de cada uso.
2. Limpie la base de la máquina después de cada uso.
3. Si está equipado, aclare el tanque de la solución y la manguera de fuente de la solución con agua clara.
4. Compruebe si el cable eléctrico está deteriorado después de cada uso. En caso de estar deteriorado, sustitúyalo inmediatamente.
5. Limpie con un paño húmedo el cable eléctrico y enróllelo cuidadosamente alrededor del mando y colóquelo en su gancho después de cada uso.
6. Controle periódicamente que todos los pernos y tuercas estén bien apretados.
7. Controle el desgaste de las escobillas de carbono del motor cada 250 horas de utilización. Sustituya los cepillos cuando la longitud de sus cerdas sea igual o inferior a 1 cm (0.38 pulg.) debido al desgaste. Para la inspección de las escobillas de carbón consulte con su Centro Autorizado de Servicio.

PARA SU SEGURIDAD: Al reparar máquina, todas las reparaciones se deben realizar por una persona cualificada para el servicio.

TRANSPORTE DE LA MÁQUINA

1. Desenchufe el cordón eléctrico y extraiga la almohadilla de la máquina. Enrolle prolijamente el cordón alrededor del gancho del cordón y el mango.
2. Guarde la máquina en posición vertical en un lugar seco.

PARA SU SEGURIDAD: Al transportar máquina, obtenga asistencia al levantar la máquina.

3. Asegure la máquina con las bandas de amarre cuando sea transportada por camión.

ALMACENAMIENTO DE LA MÁQUINA

1. Retire de la máquina el impulsor del cepillo/almohadilla y enrolle cuidadosamente el cable alrededor del mando y colóquelo en su gancho.
2. Almacene la máquina en un área seca en la posición vertical con la manija colocada en posición vertical o plegada.

⚠ ADVERTENCIA: Peligro choque eléctrico. No use al aire libre. No exponga a la lluvia. Almacén bajo techo.

STOCK RECOMENDADO DE REPUESTOS

Consulte el manual de repuestos para saber qué repuestos conviene tener en stock. Los repuestos que debe tener en almacén se identifican fácilmente por la marca que precede a la descripción de las piezas. Consulte el siguiente ejemplo:

26	1017380	(00000000-) • Hoop, Drain, Assy, 1.5d X 29.5l, Blk,Flx
27	1008639	(00000000-) • Drain Assy
28	1019563	(00000000-) • Strap, Drain Cap
29	1008637	(00000000-) • O Ring, 1.48" Id, 1.76" Od

LOCALIZACIÓN DE AVERÍAS

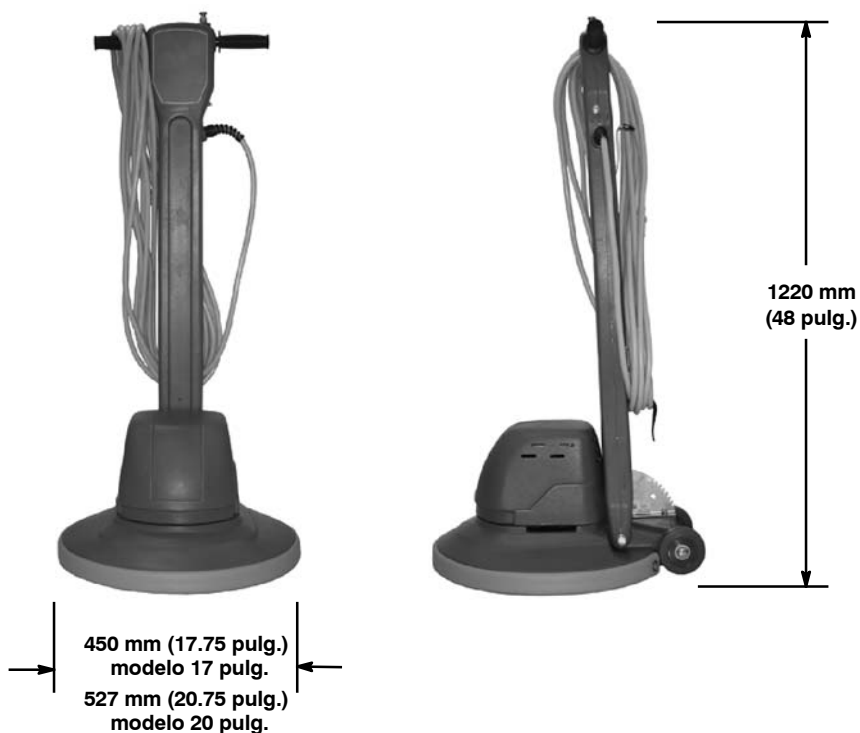
PROBLEMA	CAUSA	SOLUCIÓN
La máquina no funciona.	Cable eléctrico defectuoso.	Contactar con el Servicio Técnico
	Cortacircuitos activado.	Reajustar el cortacircuitos de la máquina.
	Cortacorrientes del edificio activado.	Reajustar el cortacircuitos del edificio.
	Cableado de la máquina defectuoso.	Contactar con el Servicio Técnico
	Interruptor de la palanca de Apagado/ Encendido defectuoso.	Contactar con el Servicio Técnico
	Motor defectuoso.	Contactar con el Servicio Técnico
	Condensador quemado (Modelos de una velocidad).	Contactar con el Servicio Técnico
	Rectificador quemado (Modelos de dos velocidades).	Contactar con el Servicio Técnico
La máquina se desplaza con un movimiento oscilante y brusco.	Almohadilla sucia.	Sustituir almohadilla.
	Cepillo/almohadilla incorrecta para la aplicación.	Sustituir por el cepillo/almohadilla correcto.
	Impulsor de la almohadilla/cepillo mal instalado.	Extraer y volver a instalar el impulsor de la almohadilla/cepillo.
	Desgaste irregular del cepillo/almohadilla.	Sustituir cepillo/almohadilla.
	Almohadilla descentrada.	Extraer y volver a instalar la almohadilla.
El cortacircuitos de la máquina se activa constantemente.	Heavily soiled pad/brush.	Limpiar o sustituir el cepillo/almohadilla.
	Cepillo/almohadilla incorrecta para la aplicación.	Sustituir por el cepillo/almohadilla correcto.
	Cortacircuitos defectuoso.	Contactar con el Servicio Técnico
	Cepillos de carbono del motor gastados.	Contactar con el Servicio Técnico

ESPECIFICACIONES

MODELO	FM- 17- SS / FM- 43- SS	FM- 20- SS / FM- 51- SS	FM- 20- DS / FM- 51- DS
ANCHURA	450 mm (17.75 pulg.)	527 mm (20.75 pulg.)	527 mm (20.75 pulg.)
ALTURA DE LA MÁQUINA	1220 mm (48 pulg.)	1220 mm (48 pulg.)	1220 mm (48 pulg.)
PESO	43 Kg (95 lbs)	43 Kg (95 lbs)	43 Kg (95 lbs)
MOTOR IMPULSOR	(LS- 1700HD) (LS- 1700HD)120V, 1.5 hp 12A, 60Hz (LS- 1700HD)	120V, 1.5 hp 12A, 60Hz (LS- 2000HD)	120V, 1.5 hp 12A, 60Hz
	240V, 1.1 kW, 7A, 50Hz	230V, 1.1 kW, 7A, 50Hz	230V, 1.1kW, 7A, 60Hz
	230V, 1.1 kW, 7A, 60Hz	220V, 1.1 kW, 7A, 60Hz	
VELOCIDAD DEL CEPILLO/ALMOHADILLA	175 RPM	175 RPM	185/330 RPM
LONGITUD DEL CABLE ELÉCTRICO	15 M (50 pies)	15 M (50 pies)	15 M (50 pies)
DIÁMETRO DEL CEPILLO/ALMOHADILLA	430 mm (17 pulg.)	508 mm (20 pulg.)	508 mm (20 pulg.)
NIVEL DE RUIDO (EN DECIBELIOS) A LA ALTURA DEL OPERARIO, EN RECINTO CERRADO CON SUELO DE BALDOSA	<70dB(A)	<70dB(A)	71dB(A) A La Velocidad Baja 73dB(A) En La Velocdad alta

Especificaciones sujetas a modificaciones sin aviso previo.

DIMENSIONES DE LA MAQUINA



Ce manuel accompagne chaque nouveau modèle. Il contient les instructions de fonctionnement et d'entretien nécessaires.

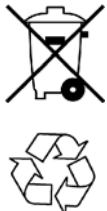
Lisez complètement ce manuel et familiarisez-vous avec la machine avant de l'utiliser ou de l'entretenir.

Cette machine vous fournira d'excellents services. Toutefois, vous obtiendrez les meilleurs résultats pour un prix de revient minimum si:

- La machine est manipulée avec un certain soin.
- La machine fait l'objet d'un entretien régulier - conformément aux instructions d'entretien de ce manuel.
- L'entretien de la machine est effectué avec des pièces fournies par le fabricant ou des pièces équivalentes.

Les pièces et fournitures peuvent être commandées en ligne, par téléphone, fax, ou par courrier.

DÉBALLAGE DE LA MACHINE: Vérifiez soigneusement si le carton ne présente pas de dommages. Signalez immédiatement tout dommage au transporteur.



PROTECTION DE L'ENVIRONNEMENT

Veuillez éliminer les matériaux d'emballage et les composants usagés de l'appareil de manière à protéger l'environnement, conformément aux règlements locaux concernant l'élimination des déchets.

N'oubliez pas de toujours recycler.

DONNÉES DE LA MACHINE

A remplir au moment de l'installation à titre de référence.

N° du modèle - _____

N° de série - _____

Options de la machine - _____

Agent commercial - _____

N° de tél. de l'agent commercial - _____

Numéro de client - _____

Date d'installation - _____

TABLE DES MATIÈRES

MESURES DE SÉCURITÉ	20
ÉTIQUETTE DE MISE EN GARDE	22
COMPOSANTS DE LA MACHINE	23
MISE EN SERVICE DE LA MACHINE	23
FONCTIONNEMENT DE L'APPAREIL	24
ENTRETIEN DE LA MACHINE	26
TRANSPORT DE LA MACHINE	26
ENTREPOSAGE DE LA MACHINE	26
ARTICLES DE STOCK RECOMMANDÉS	26
DÉPISTAGE DES PANNES	27
DONNÉES TECHNIQUES	28
DIMENSIONS DE LA MACHINE	28

Tennant Company

PO Box 1452
 Minneapolis, MN 55440 USA
 Phone: (800) 553- 8033 or (763) 513- 2850

www.tennantco.com
www.nobles.com

Les spécifications et pièces sont susceptibles de modification sans préavis.

Copyright © 2010- 2014 TENNANT Company. Tous droits réservés.

MESURES DE SÉCURITÉ

Cette machine est conçue pour un usage professionnel uniquement. Elle est destinée exclusivement à nettoyer les sols intérieurs et ne convient pas à un quelconque autre usage. Utilisez uniquement des patins/brosses et des produits nettoyants et cires pour sols disponibles dans le commerce, prévus pour l'application de la machine.

Tous les opérateurs sont tenus de lire et comprendre les consignes de sécurité suivantes et de se familiariser avec celles-ci.

Le symbole de mise en garde suivant et l'en-tête « POUR VOTRE SECURITE » sont utilisés tout au long de ce manuel comme indiqué dans leur description :

 **MISE EN GARDE** : identifie la présence de dangers ou les opérations dangereuses susceptibles de blesser grièvement ou de provoquer la mort.


POUR VOTRE SECURITÉ : identifie les instructions qui doivent être suivies afin de garantir la sécurité lors de l'utilisation de l'équipement.

Le fait de ne pas respecter ces avertissements peut entraîner des blessures, un choc électrique, un incendie ou une explosion.

 **MISE EN GARDE** : danger d'incendie ou d'explosion :

- N'utilisez jamais de liquides inflammables ou n'utilisez pas la machine dans ou près de liquides ou vapeurs inflammables ou de poussières combustibles.

Cette machine n'est pas équipée d'un moteur protégé contre les explosions. Le moteur électrique émet des étincelles au moment du démarrage et pendant son fonctionnement, ce qui peut entraîner un incendie instantané ou une explosion si la machine est utilisée dans une zone où des vapeurs/liquides inflammables ou des poussières combustibles, sont présents.

 **MISE EN GARDE** : danger électrique. N'utilisez pas la machine avec un cordon d'alimentation endommagé. Ne modifiez pas la prise. Débranchez le cordon d'alimentation avant d'entretenir la machine

Si le cordon d'alimentation est endommagé ou rompu, il doit être remplacé par le fabricant ou son agent de maintenance ou toute autre personne qualifiée, afin d'éviter tout danger.

 **MISE EN GARDE** : Risque d'électrocution. Ne pas utiliser à l'extérieur. N'exposez pas à la pluie. Entreposez à l'intérieur.

Les signaux d'information ci-après indiquent les situations potentiellement dangereuses pour l'opérateur ou l'équipement :

POUR VOTRE SECURITÉ :

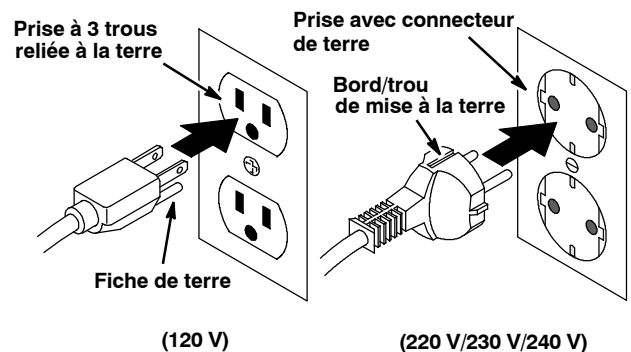
1. N'utilisez pas la machine :
 - avec des liquides inflammables ou près de vapeurs inflammables, afin d'éviter le risque d'explosion ou d'incendie instantané.
 - Si vous n'y êtes pas formé et autorisé.
 - Avant d'avoir lu et compris le manuel opérateur.
 - Si le cordon n'est pas correctement relié à la terre.
 - Avec des cordons ou prises endommagés.
 - Si elle n'est pas en bon état de marche.
 - À l'extérieur.
 - Dans l'eau stagnante.
 - Avec une rallonge.
2. Avant de mettre en marche la machine :
 - Assurez-vous que tous les dispositifs de sécurité se trouvent à leur place et fonctionnent correctement.
 - Retirez les objets encombrant le sol afin d'éviter des projectiles dangereux au cas où les objets seraient heurtés par un patin en cours de rotation.
 - Placez les signes SOL HUMIDE si nécessaire.
3. Lors de l'utilisation de la machine :
 - Eloignez-vous d'un patin en cours de rotation.
 - Ne tirez pas la machine par la prise ou le cordon.
 - Ne roulez pas sur le cordon avec l'appareil.
 - Ne tirez pas le cordon près des bords ou des coins vifs.
 - Ne fermez pas de portes sur le cordon.
 - Ne débranchez pas l'appareil en tirant sur le cordon.
 - N'étirez pas le cordon.
 - Ne manipulez pas la prise avec des mains mouillées.
 - Éloignez le cordon des surfaces chaudes.
 - Suivez les instructions de mélange et de manipulation indiquées sur les conteneurs chimiques.

- Ne mettez jamais la machine sous tension lorsque la poignée est en position verticale.
 - Ne relâchez les poignées qu'après l'arrêt complet du patin.
 - Roulez lentement sur les pentes et sur les surfaces glissantes.
 - Portez des chaussures antidérapantes.
 - Signalez immédiatement tout dommage occasionné à la machine ou tout mauvais fonctionnement.
 - Empêchez les enfants de jouer à proximité de la machine.
4. Avant de quitter ou d'entretenir la machine :
- Coupez le contact de la machine.
 - Débranchez le cordon de la prise murale.
5. Lors de l'entretien de la machine :
- Débranchez le cordon de la prise murale.
 - Évitez les pièces mobiles. Ne portez pas de veste ou de chemise large ou de manches amples.
 - Utilisez des pièces de rechanges fournies ou agréées par le fabricant.
 - Toutes les réparations doivent être effectuées uniquement par un technicien qualifié.
 - Ne modifiez pas le design d'origine de la machine.
6. Lors du transport de la machine :
- Demandez de l'aide pour soulever la machine.
 - Débranchez le cordon de la prise murale.
 - Utilisez des sangles pour arrimer la machine sur le camion ou la remorque.

INSTRUCTIONS DE MISE À LA TERRE

La machine doit être mise à la terre. En cas de dysfonctionnement ou de panne, la mise à la terre offre une voie de moindre résistance au courant électrique, afin de réduire le risque de décharge électrique. Cette machine est équipée d'un cordon muni d'un conducteur de terre principale et d'une fiche avec mise à la terre. La fiche doit être branchée sur une prise appropriée montée correctement, conformément aux réglementations et codes en vigueur au niveau local. Ne supprimez pas la fiche de mise à la terre ; si celle-ci manque, remplacez la prise avant d'utiliser la machine.

(Modèles 120 V) : Cette machine est prévue pour une utilisation sur un circuit nominal de 120 volts et elle possède une fiche de mise à la terre qui ressemble à la fiche illustrée sur le croquis. Veillez à ce que la machine soit branchée sur une prise de courant ayant la même configuration que la fiche. Cette machine ne doit pas être utilisée avec un adaptateur.



ÉTIQUETTE DE MISE EN GARDE

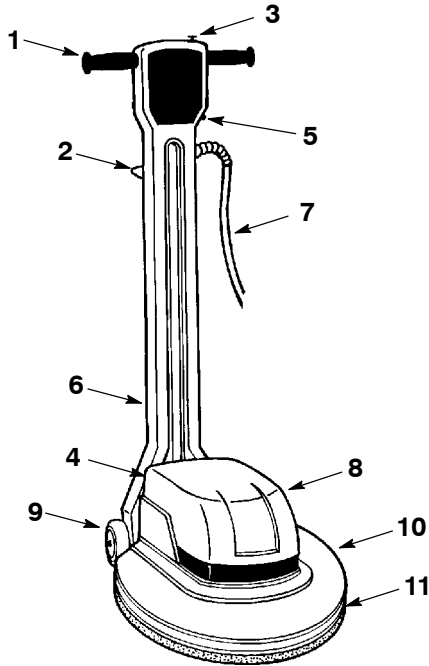
L'étiquette de mise en garde apparaît sur la machine à l'emplacement indiqué. Remplacez l'étiquette lorsqu'elle est endommagée ou qu'elle devient illisible.



ÉTIQUETTE MISE EN GARDE - SITUÉE AU DOS DE LA POIGNÉE DE LA MACHINE.

⚠ WARNING			
			
EXPLOSION, FIRE AND SHOCK HAZARD. AVOID INJURY.			
<ul style="list-style-type: none">• Do Not Use Flammable Liquids or Operate Near Flammable Liquids, Vapors or Combustible Dusts.• Do Not Operate With Damaged Power Cord. Do Not Modify Plug. Unplug Power Cord Before Servicing Machine.• Do Not Use Outdoors. Do Not Expose to Rain. Store Indoors.			
⚠ AVERTISSEMENT			
RISQUE D'EXPLOSION, D'INCENDIE ET DE DÉCHARGE. ÉVITEZ LES BLESSURES.			
<ul style="list-style-type: none">• N'utilisez Pas Près de Liquides Inflammables ou Près de Liquides ou Vapeurs Inflammables ou Poussières Combustibles.• N'utilisez Pas la Machine Avec un Cordon d'Alimentation Endommagé. Ne Modifiez Pas la Prise. Débranchez le Cordon d'Alimentation Avant d'Entretien la Machine.• N'utilisez Pas en Extérieur. N'Exposez Pas à la Pluie. Entrez à l'Intérieur.			
⚠ ADVERTENCIA			
PELIGRO DE EXPLOSIÓN, FUEGO, DESCARGA EVITE LESIONES.			
<ul style="list-style-type: none">• No Use Líquidos Flamables Y No Use Cerca De Líquidos Flamables, Vapores Ó Materiales Combustibles.• No Use Con Cable De Corriente Dañado. No Altere El Enchufe. Desconecte Cable De Corriente Antes Del Mantenimiento.• No Use Al Aire Libre. No Exponga A La Lluvia. Guarde Bajo Techo.			
			1026385

COMPOSANTS DE LA MACHINE



1. Poignées de Marche/Arrêt
2. Levier d'ajustement de hauteur de poignée
3. Bouton du verrouillage de sécurité
4. Sélecteur de vitesse (Modèle à vitesse double)
5. Bouton de réenclenchement du coupe-circuit
6. Crochet du cordon d'alimentation
7. Cordon d'alimentation de 15 m (50 ft.)
8. Capot du moteur
9. Roues de transport 102 mm (4 in.)
10. Scrub Head Base
11. Pare-chocs

MISE EN SERVICE DE LA MACHINE

Vérifiez soigneusement si le carton ne présente pas de dommages. Signalez immédiatement tout dommage au transporteur.

INSTALLATION DU SYSTÈME D'ENTRAÎNEMENT DU PATIN / PATIN / BROSSÉ

POUR VOTRE SECURITÉ : Avant de quitter ou d'entretenir la machine, débranchez le cordon de la prise murale.

ATTENTION : si vous nettoyez des moquettes, reportez-vous à la section "NETTOYAGE DE MOQUETTES" de ce manuel.

1. Avec la poignée n position droite, basculez prudemment la machine vers l'arrière et posez la poignée sur le sol.
2. Placez le patin sur le système d'entraînement du patin. Si la machine est équipée d'un verrou central en plastique, bloquez le patin à l'aide du verrou.

REMARQUE : consultez votre distributeur agréé pour toute recommandation en matière de patin et de brosse. Utilisez uniquement des systèmes d'entraînement et des brosses fournis ou approuvés par le fabricant.

3. Positionnez le système d'entraînement du patin/la brosse sur le moyeu d'entraînement et tournez-le/la dans le sens contraire des aiguilles d'une montre pour l'engager (Figure 1).

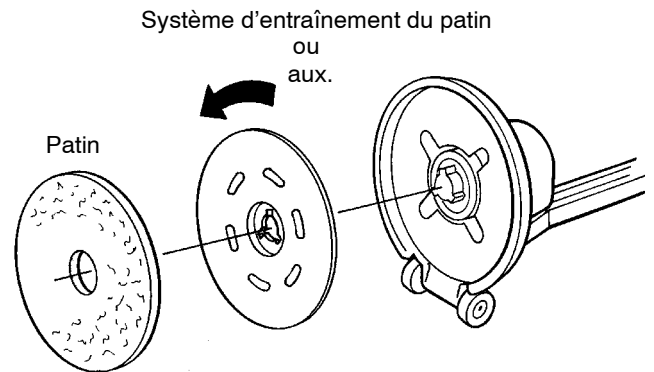


FIG. 1

4. Ramenez la machine en position droite.

FONCTIONNEMENT DE L'APPAREIL

POUR VOTRE SECURITÉ : n'utilisez pas la machine avant d'avoir lu et compris le manuel opérateur.

⚠ MISE EN GARDE : danger d'incendie ou d'explosion. N'utilisez jamais la machine dans ou à proximité de liquides et vapeurs inflammables ou de poussières combustibles.

FONCTIONNEMENT DE LA MACHINE

1. Branchez le cordon d'alimentation sur une prise murale mise à la terre (Figure 2).

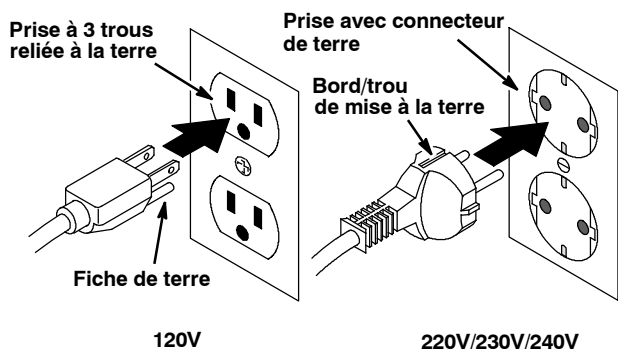


FIG. 2

POUR VOTRE SECURITÉ : danger électrique. N'utilisez la machine que si le cordon est correctement relié à la terre. N'utilisez pas la machine avec un cordon ou une prise endommagés. N'utilisez pas la machine avec une rallonge.

2. Pour les modèles Dual Speed (double vitesse), sélectionnez le régime moteur approprié. Placez le sélecteur de vitesse vers le bas (185 tr/min) pour le broissage, le décapage et le nettoyage de moquettes. Placez le sélecteur de vitesse vers le haut (300 tr/min) pour le polissage avec pulvérisation (Figure 3).

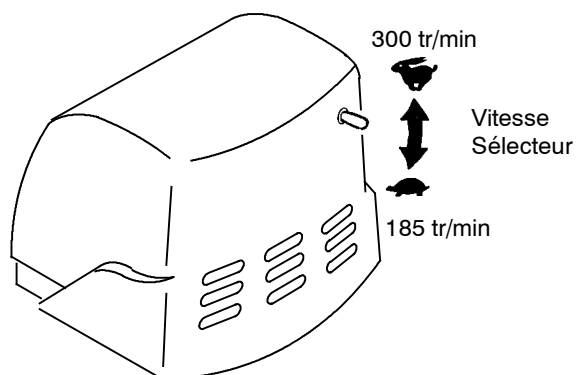


FIG. 3

3. Abaissez la poignée à une hauteur de manipulation confortable en tirant vers le haut le levier d'ajustement de hauteur de la poignée. Relâchez le levier pour engager la poignée (Figure 4).

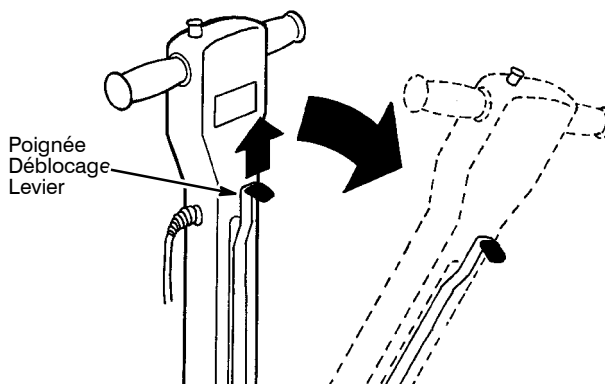


FIG. 4

4. Avant de démarrer la machine, maintenez la poignée de telle sorte que la base de la machine soit parallèle au sol. Cela permettra de réduire les secousses abruptes au moment du démarrage de la machine.

REMARQUE : Pour les personnes utilisant la machine pour la première fois, exercez-vous avec un patin de polissage moins agressif.

5. Pour démarrer le broissage, tenez fermement les poignées, appuyez sur le bouton de verrouillage de sécurité et inclinez les poignées vers l'avant. Une fois que la machine démarre, relâchez le boutons de verrouillage de sécurité (Figure 5).

ATTENTION : Soyez prudent lors du démarrage, la machine tressaute lorsque les poignées sont tournées.

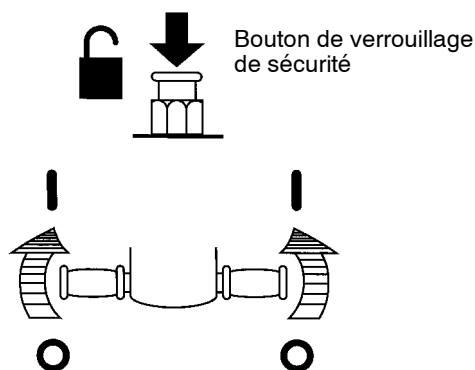


FIG. 5

6. Pour déplacer la machine vers la gauche (A), abaissez légèrement la poignée. Pour déplacer la machine vers la droite (B), soulevez légèrement la poignée. Manipulez la machine avec un mouvement latéral (Figure 6).

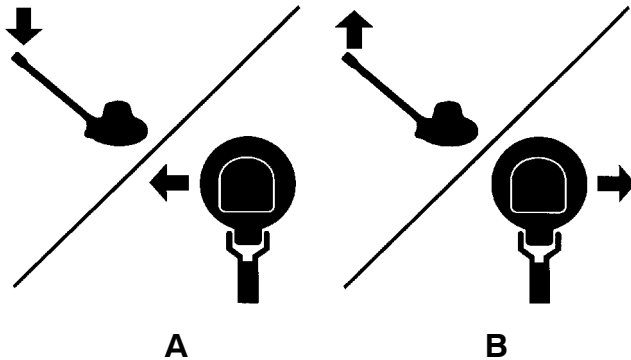


FIG. 6

REMARQUE : Lorsque le patin devient sale, retirez le patin et retournez-le pour exposer le côté propre. Retirez et lavez le patin lorsque les deux faces sont sales.

7. Pour arrêter la machine, tournez les poignées vers l'arrière et maintenez fermement les poignées jusqu'à ce que la machine s'arrête complètement. Le bouton du verrouillage de sécurité s'engage automatiquement.

POUR VOTRE SECURITÉ : Lorsque vous utilisez la machine, ne relâchez la poignée qu'après l'arrêt complet du patin.

REMARQUE : Le coupe-circuit de la machine risque de se déclencher dans des conditions de surcharge. Passez à un patin/une brosse moins agressifs et contrôlez périodiquement l'accumulation de saleté sur le patin. Pour réenclencher le coupe-circuit, attendez 15 secondes et appuyez sur le bouton de réenclenchement situé sur la poignée.

8. N'utilisez pas la machine sur le même emplacement pendant une longue période de temps. Ceci risque d'endommager le sol.
9. Afin de manœuvrer au-dessus des seuils de porte et des grilles de plancher, arrêtez la machine et basculez-la de nouveau sur les roulettes de transport.
10. Lorsqu'elle n'est pas utilisée, ne laissez pas la machine reposer sur le patin/la brosse. Le patin/la brosse risque de s'endommager.
11. Lorsque le brossage est terminé, exécutez les procédures de nettoyages suivantes.

UTILISATION DU RÉSERVOIR DE SOLUTION EN OPTION

1. Remplissez le réservoir de solution avec une solution recommandée.

⚠ MISE EN GARDE : danger d'incendie ou d'explosion. N'utilisez jamais de liquides inflammables.

POUR VOTRE SECURITÉ : lorsque vous utilisez la machine, suivez les instructions de mélange et de manipulation indiquées sur les conteneurs chimiques.

2. Abaissez la poignée en position de fonctionnement. Tirez sur le bouton de commande de solution pour disperser la solution vers le patin/la brosse.

NETTOYAGE DES MOQUETTES

Brosse à moquette et shampoing requise N'utilisez pas une brosse prévue pour des sols durs ; vous risquez de vous blesser et d'endommager la moquette. Commandez la brosse pour moquette et shampoing n° 604989 (43cm / 17in), 607463(43cm / 17in) ou consultez votre distributeur ou votre revendeur pour des conseils.

Avant d'utiliser la machine sur une moquette, celle-ci doit être pulvérisée avec une solution de nettoyage approuvée. La solution agit en tant que lubrifiant pour permettre à la brosse pour shampoing de tourner avec une faible résistance.

POUR VOTRE SECURITÉ: Afin d'éviter des tressautements lors du démarrage de la machine sur de la moquette, utilisez une brosse pour moquette et shampoing recommandée et pulvériser la moquette au préalable.

Lorsque vous utilisez un modèle Dual Speed (double vitesse) pour nettoyer des moquettes, n'utilisez pas la machine à haute vitesse ; vous risquez de provoquer des blessures.

Pour les meilleurs résultats, laissez pénétrer la solution de nettoyage pulvérisée sur la moquette pendant environ 10 à 12 minutes, avant d'effectuer le brossage. À l'aide uniquement d'une brosse pour moquette et shampoing, faites fonctionner la machine à une allure graduelle et constante.

Après le brossage et lorsque la moquette est encore humide, utilisez un extracteur ou aspirateur pour surfaces humides, pour récupérer la saleté en suspension et la mousse. Passez ensuite l'aspirateur sur la moquette, lorsque celle-ci est totalement sèche.

ENTRETIEN DE LA MACHINE

⚠ MISE EN GARDE : danger électrique.
Débranchez le cordon d'alimentation avant d'entretenir la machine

1. Retirez et nettoyez le système d'entraînement du patin/la brosse après chaque utilisation.
2. Nettoyez la base de la machine après chaque utilisation.
3. Le cas échéant, rincez à l'eau claire le réservoir de solution et le tuyau d'alimentation en solution.
4. Vérifiez l'endommagement du cordon d'alimentation après chaque utilisation. S'il est usé ou endommagé, remplacez immédiatement le cordon.
5. Après chaque utilisation, essuyez le câble d'alimentation avec un chiffon humidifié et entourez-le avec soin autour du crochet du câble et de la poignée.
6. Vérifiez périodiquement le serrage de tous les boulons et écrous.
7. Toutes les 250 heures de service, vérifiez le degré d'usure des balais au charbon du moteur. Remplacez les brosses lorsque la longueur des poils est de 1 cm ou moins. Contactez un centre d'entretien agréé pour un contrôle des balais de charbon.

POUR VOTRE SECURITÉ : Lors du dépannage de la machine, toutes les réparations doivent être effectuées uniquement par un technicien qualifié.

TRANSPORT DE LA MACHINE

1. Débranchez le cordon d'alimentation et retirez le patin de la machine. Enroulez soigneusement le cordon autour des du crochet du câble et de la poignée afin d'éviter son endommagement.
2. Chargez la machine à l'aide d'une rampe de chargement appropriée ou soulevez délicatement la machine, avec une aide adéquate.

POUR VOTRE SECURITÉ : Lors du transport la machine, demandez de l'aide pour soulever la machine.

3. En cas de transport par véhicule, arrimez la machine avec des sangles.

ENTREPOSAGE DE LA MACHINE

1. Retirez la brosse/le système d'entraînement du patin et enroulez avec soin le câble autour des crochet du câble et de la poignée.
2. Entrez la machine verticalement à l'abri de l'humidité.

⚠ MISE EN GARDE : Risque d'électrocution.
Ne pas utiliser à l'extérieur. N'exposez pas à la pluie. Entrez à l'intérieur.

ARTICLES DE STOCK RECOMMANDÉS

Reportez-vous à la section Liste des pièces du manuel pour les articles de stock recommandés. Les articles de stock sont clairement identifiés à l'aide d'un point précédant la description de la pièce. Voir l'exemple ci-dessous :

26	1017380	(00000000-) • Hose, Drain, Assy, 1.5d X 29.5l, Blk,Flx
27	1008639	(00000000-) • Drain Assy
28	1019563	(00000000-) • Strap, Drain Cap
29	1008637	(00000000-) • O Ring, 1.48" Id, 1.76" Od

DÉPISTAGE DES PANNES

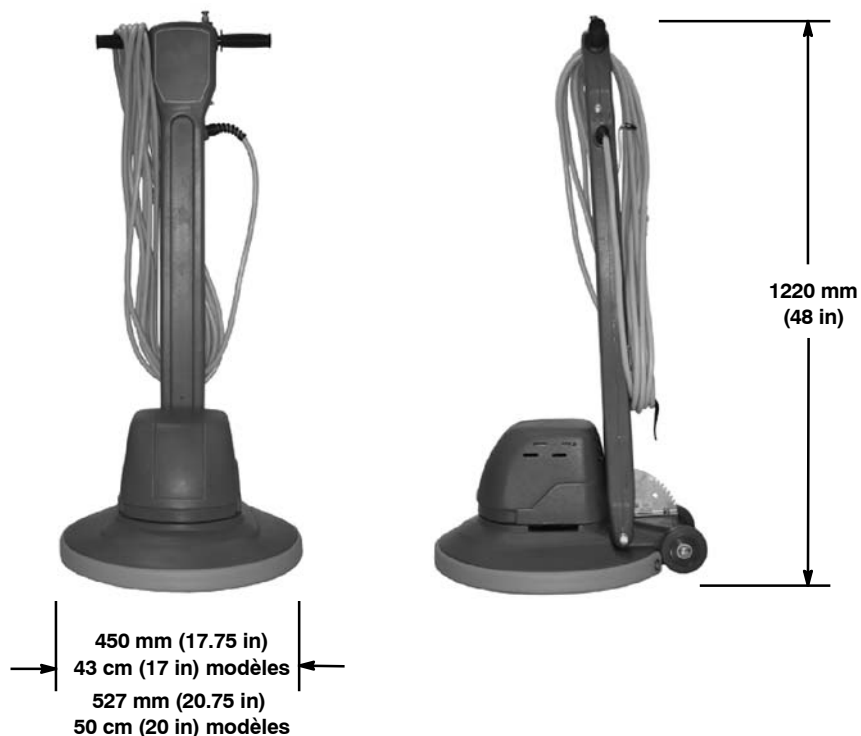
PROBLÈME	CAUSE	REMÈDE
La machine ne fonctionne pas.	Cordon d'alimentation défectueux.	Contactez le service de dépannage.
	Coupe- circuit déclenché.	Réenclenchez le coupe- circuit de la machine.
	Coupe- circuit du bâtiment déclenché.	Réenclenchez le coupe- circuit dans le bâtiment.
	Câblage de la machine défectueux.	Contactez le service de dépannage.
	Commutateur marche/arrêt de poignée défectueux	Contactez le service de dépannage.
	Moteur défectueux.	Contactez le service de dépannage.
	Condensateur grillé (Modèles à vitesse unique).	Contactez le service de dépannage.
	Redresseur grillé (Modèles à double vitesse).	Contactez le service de dépannage.
La machine fonctionne avec un mouvement tremblant ou saccadé.	Patin sali.	Remplacez le patin.
	Patin/brosse impropre pour l'application.	Placez le patin/la brosse adéquats.
	Système d'entraînement du patin/brosse mal installé.	Retirez et réinstallez le système d'entraînement du patin/la brosse.
	Patin/brosse usés de manière inégale.	Remplacez le patin/la brosse.
	Patin mal centré sur système d'entraînement du patin.	Retirez et réinstallez le patin.
Le coupe- circuit de la machine se déclenche continuellement.	Patin/brosse fortement souillés.	Nettoyez ou remplacez le patin/la brosse.
	Patin/brosse impropre pour l'application.	Placez le patin/la brosse adéquats.
	Coupe- circuit défectueux.	Contactez le service de dépannage.
	Balais au charbon du moteur usé.	Contactez le service de dépannage.

DONNÉES TECHNIQUES

MODÈLE	FM-17-SS / FM-43-SS	FM-20-SS / FM-51-SS	FM-20-DS / FM-51-DS
LARGEUR	450 mm (17.75 in)	527 mm (20.75 in)	527 mm (20.75 in)
HAUTEUR	1220 mm (48 in)	1220 mm (48 in)	1220 mm (48 in)
POIDS	43Kg (95 lbs)	43Kg (95 lbs)	43Kg (95 lbs)
MOTEUR D'ENTRAÎNEMENT	120V, 1.5 hp 12A, 60Hz	120V, 1.5 hp 12A, 60Hz	120V, 1.5 hp 12A, 60Hz
	240V, 1.1 kW, 7A, 50Hz	230V, 1.1 kW, 7A, 50Hz	230V, 1.1kW, 7A, 60Hz
	230V, 1.1 kW, 7A, 60Hz	220V, 1.1 kW, 7A, 60Hz	
VITESSE DU PATIN/DE LA BROSSE	175 tr/min.	175 tr/min.	185/330 tr/min.
LONGUEUR DU CORDON D'ALIMENTATION	15M (50 ft)	15M (50 ft)	15M (50 ft)
DIA BROSSE/PATIN	432 mm (17 in)	508 mm (20 in)	508 mm (20 in)
NIVEAU SONORE AU NIVEAU DE L'OREILLE DE L'OPÉRATEUR, À L'INTÉRIEUR SUR DU CARRELAGE	<70dB(A)	<70dB(A)	71dB(A) à faible vitesse 73dB(A) à grande vitesse

Les spécifications sont susceptibles d'être modifiées sans préavis.

DIMENSIONS DE LA MACHINE




Este manual é fornecido com cada modelo novo. Ele contém as instruções de operação e manutenção necessárias.

Leia atentamente o manual e familiarize-se com as funções da máquina antes de operá-la ou fazer sua manutenção.

Esta máquina deverá funcionar muito bem. Entretanto, para obter os melhores resultados com o mínimo de custos:


- Tenha cautela ao operar a máquina.
- Faça regularmente a manutenção da máquina, conforme as instruções de manutenção fornecidas.
- Ao fazer a manutenção, use peças fornecidas pelo fabricante ou peças similares autorizadas.

As peças e consumíveis podem ser encomendados online, por telefone, fax ou correio.



PROTEJA O MEIO-AMBIENTE

Ao descartar embalagens, componentes antigos da máquina como baterias, fluidos como anti-congelante e óleo, respeite as regulamentações locais de tratamento de detritos.



Recicle sempre que possível.

DADOS DA MÁQUINA

Preencha estes dados durante a instalação para referência futura.

Núm. modelo - _____

Núm. da série - _____

Opções da máquina - _____

Revendedor. - _____

Tel. revendedor - _____

Número do cliente - _____

Data de instalação - _____

CONTEÚDO

PRECAUÇÕES DE SEGURANÇA	30
ADESIVOS DE SEGURANÇA	31
COMPONENTES DA MÁQUINA	32
SET-UP MÁQUINA	32
OPERAÇÃO DA MÁQUINA	33
REPARAR A MÁQUINA	34
ITENS DE ESTOQUE RECOMENDADOS	34
RESOLUÇÃO DOS PROBLEMAS	34
ESPECIFICAÇÕES	35
DIMENSÕES DA MÁQUINA	35

TENNANT Company
PO Box 1452
Minneapolis, MN 55440
Tel: (800) 553-8033 ou (763) 513-2850

www.tennantco.com
www.nobles.com

Especificações e peças sujeitas a alterações sem aviso prévio.

Copyright © 2010-2014 TENNANT COMPANY. Impresso nos EUA.

Todos os direitos reservados.

PRECAUÇÕES DE SEGURANÇA

Esta máquina é adapta a lavar ou a dar lustro aos pavimentos em ambientes fechados e não é construída para nenhuma outra função.

As precauções de segurança a seguir devem ser lidas, compreendidas e praticadas por todos os operadores.

O seguinte símbolo de aviso e o cabeçalho "POR RAZÕES DE SEGURANÇA" são usados ao longo deste manual, conforme indicado na sua descrição:

⚠ AVISO: Para advertir sobre os perigos e as práticas inseguras que podem causar ferimentos graves ou morte.

POR RAZÕES DE SEGURANÇA: Para identificar procedimentos que devem ser seguidos para a utilização segura do equipamento.

A não observância destes avisos pode resultar em: ferimentos pessoais, electrocussão, choque eléctrico, incêndio ou explosão:

⚠ AVISO: Perigo de incêndio ou explosão

- Nunca use líquidos inflamáveis, nem use a máquina para recolher ou perto de líquidos inflamáveis, vapores ou poeiras combustíveis.

Esta máquina não está equipada com motores à prova de explosão. Os motores eléctricos produzem faíscas durante o arranque e durante o funcionamento, o que poderá provocar incêndio ou explosão se a máquina for usada numa zona onde estejam presentes vapores/líquidos inflamáveis ou algum tipo de pó combustível.

⚠ AVISO: Perigo de choque eléctrico. Não utilize a máquina com um cabo de alimentação danificado. Não altere a ficha do cabo de alimentação. Desligue o cabo de alimentação antes de efectuar a manutenção da máquina.

Se o cabo de alimentação estiver danificado, deve ser substituído pelo fabricante ou pelo seu agente representante, ou por pessoal de assistência com idênticas qualificações, de modo a evitar todos os riscos.

⚠ AVISO: Perigo de choque eléctrico. Não utilize ao ar livre. Não exponha à chuva. Arrume em ambientes interiores.

As seguintes informações evidenciam eventuais condições de perigo para o operador ou para o equipamento:

POR SEGURANÇA:

1. Não utilizar a máquina:

- com líquidos inflamáveis ou perto de vapores inflamáveis, pois poderá ocorrer uma explosão ou um incêndio.
- Se não é instruído e autorizado.
- Se não leu o manual e o compreendeu.
- Se o cabo de alimentação não tiver ligação de terra.
- Não utilize a máquina com um cabo de alimentação danificado.
- Se não é nas suas próprias condições de trabalho.
- ao ar livre.
- sobre água.
- Não utilize extensões.

2. Primeiro de operar com a máquina:

- verifique se todos os equipamentos de segurança estão instalados e a funcionar correctamente.
- Remover os objectos do pavimento. Remover objectos que podem tornar-se perigosos se lançados das rotações do prato.
- coloque sinalização de "chão molhado", conforme seja necessário.

3. Quando se utiliza a máquina:

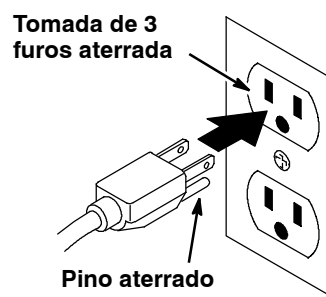
- Ter afastado mãos e pés do prato de rotação.
- não puxe a máquina pelo cabo de alimentação nem pela respectiva ficha;
- não ponha a máquina a funcionar sobre o cabo de alimentação;
- não puxe pelo cabo de alimentação a contornar ângulos ou cantos pontiagudos;
- Evitar as partes em movimento para prevenir danos.
- não desligue a máquina puxando pelo cabo de alimentação.
- não estique o cabo de alimentação.
- não mexa na ficha com as mãos molhadas.
- mantenha o cabo de alimentação afastado de superfícies quentes;
- siga as instruções de mistura e manuseamento inscritas nos recipientes dos produtos químicos.
- Nunca ligue o aparelho quando a haste estiver em posição vertical.

- Não deixar os manípulos rotativos de uma só vez. Quando se desliga a máquina esperar a deixar os manípulos rotativos que o prato pare completamente.
 - conduza devagar em percursos inclinados ou escorregadios.
 - Não usar indumentos abertos - sapatos de ponta, sandálias ou pés nus.
 - comunique imediatamente qualquer dano ou avaria da máquina.
 - nunca permita que crianças brinquem com a máquina nem à volta dela.
4. Primeiro de deixar ou reparar a máquina:
- desligue a máquina.
 - desligue o cabo de alimentação da tomada de parede.
5. Quando efectuar a manutenção da máquina:
- desligue a máquina;
 - evite aproximar-se de peças em movimento. Não use casacos, camisas ou mangas largos.
 - use peças de substituição fornecidas ou aprovadas pelo fabricante.
 - todas as reparações da máquina devem ser efectuadas por pessoal qualificado.
 - não altere o design original da máquina.
6. Ao transportar a máquina:
- obtenha ajuda para levantar a máquina;
 - desligue o cabo de alimentação da tomada de parede.
 - utilize correias de fixação para prender a máquina.

INSTRUÇÕES PARA A LIGAÇÃO À TERRA

A máquina deve estar ligada à terra. No caso de a máquina funcionar avariada, a ligação à terra fornece um percurso de menor resistência para a corrente eléctrica de modo a reduzir o risco de choque eléctrico. Esta máquina está equipada com um cabo de corrente com condutor de terra e respectiva ficha com contacto de terra. A ficha tem de ser ligada a uma tomada que esteja correctamente instalada de acordo com todos os códigos e regulamentos locais.

Esta máquina foi projetada para uso em circuito nominal de 120 volts e tem um plugue de conexão aterrada, conforme mostra a ilustração abaixo. Certifique-se de que a máquina foi conectada a uma tomada com a mesma configuração do plugue. Não é recomendado usar um adaptador com esta máquina.



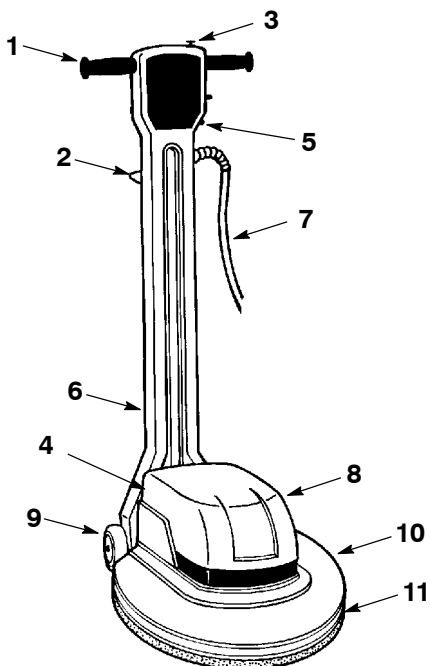
ADESIVOS DE SEGURANÇA

São mostrados adesivos de segurança nos locais da máquina indicados a seguir. Substitua os adesivos caso estejam faltando ou estejam danificados ou ilegíveis.



⚠ WARNING	
EXPLOSION, FIRE AND SHOCK HAZARD. AVOID INJURY. • Do Not Use Flammable Liquids or Operate Near Flammable Liquids, Vapors or Combustible Dusts. • Do Not Operate With Damaged Power Cord. Do Not Modify Plug. Unplug Power Cord Before Servicing Machine. • Do Not Use Outdoors. Do Not Expose to Rain. Store Indoors.	
⚠ AVERTISSEMENT	
RISQUE D'EXPLOSION, D'INCENDIE ET DE DÉCHARGE. ÉVITEZ LES BLESSURES. • N'utilisez Pas Près de Liquides Inflammables ou Près de Liquides ou Vapeurs Inflammables ou Poussières Combustibles. • N'utilisez Pas la Machine Avec un Cordon d'Alimentation Endommagé. Ne Modifiez Pas la Prise. Débranchez le Cordon d'Alimentation Avant d'Entretien la Machine. • N'utilisez Pas en Extérieur. N'Exposez Pas à la Pluie. Entrezposez à l'Intérieur.	
⚠ ADVERTENCIA	
PELIGRO DE EXPLOSIÓN, FUEGO, DESCARGA EVITE LESIONES. • No Use Líquidos Flamables Y No Use Cerca De Líquidos Flamables, Vapores Ó Materiales Combustibles. • No Use Con Cable De Corriente Dañado. No Altere El Enchufe. Desconecte Cable De Corriente Antes Del Mantenimiento. • No Use Al Aire Libre. No Exponga A La Lluvia. Guarde Bajo Techo.	
1026385	

COMPONENTES DA MÁQUINA



- 1 Manípulo rotativo
- 2 Alavanca de regulação do manípulo
- 3 Botão bloco de segurança
- 4 Interruptor selecção velocidade (só dupla velocidade)
5. Botão do interruptor de circuito
- 6 Gancho do fio da electricidade
- 7 Fio da electricidade - 15 mt.
- 8 Tampa do motor
- 9 Rodas 10 cm.
10. Armação de suporte de lavagem
- 11 . Prato de limpeza

SET-UP MÁQUINA

1. Controlar atentamente a caixa de cartão se apresenta danos. Referir os danos ao expedicionário. Controlar se o cabo eléctrico instalado corresponde à tomada da parede.
2. A vossa Enceradora Rápida é expedida completamente montada. A espiga do prato flexível, os pratos e a escova são vendidas separadamente. Escolher a desejada e instalar a espiga do prato flexível ou a escova recomendada com o prato que escolheis para as vossas exigências de limpeza.

IMPORTANTE: A selecção do justo prato ou escova é importante para obter melhores resultados. Aconselhar-se com o distribuidor autorizado para escolher o justo prato ou a escova para as vossas específicas exigências de limpeza.

3. Para instalar o prato ou a escova: Inclinarem a máquina para trás sobre as rodas até que a máquina seja apoiada sobre o manípulo.
4. Posicionar a espiga da escova/prato sobre aquela do cubo, tirar e rodar em sentido anti-horário para fixar (Fig. 1)

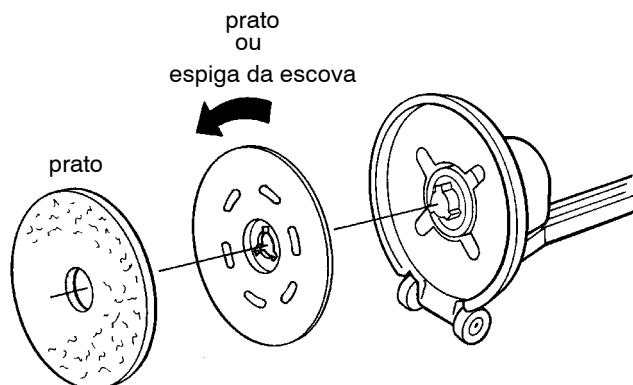


FIG. 1

5. Para instalar o prato: Posicionar o prato sobre a espiga e dar um empurrão para fixar (Fig. 1).
6. Depois que o prato ou a escova são instaladas meter a máquina em posição vertical.
7. Regular o manípulo a uma altura confortável. Levantar a alavanca de soltura do manípulo e depois mover o manípulo à desejada altura. Quando a alavanca de soltura vem deixada o manípulo se bloqueará na nova posição (Fig. 2).

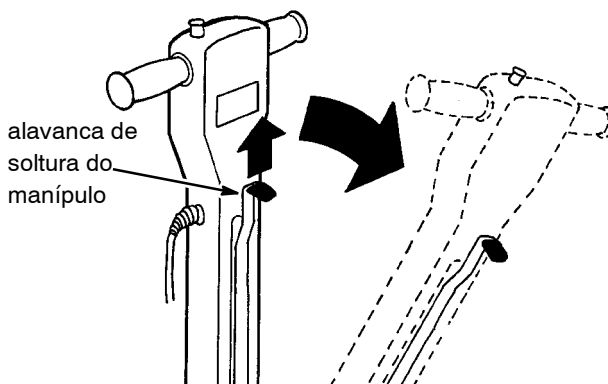


FIG. 2

8. Ligue o cabo de alimentação a uma tomada de parede ligada à terra.

OPERAÇÃO DA MÁQUINA

⚠ AVISO: Perigo de incêndio ou explosão. Nunca use líquidos inflamáveis, nem use a máquina para recolher ou perto de líquidos inflamáveis, vapores ou poeiras combustíveis.

1. Ler e compreender as informações de segurança primeiro de a utilizar.

⚠ ATENÇÃO: Tomar cautela quando iniciais pela primeira vez a trabalhar com a máquina. A máquina poderá ser agressiva se não são seguidas estas instruções correctamente.

2. Para os modelos com dupla velocidade seleccionar a velocidade do motor desejada. A posição do interruptor em baixo (185 rpm) para lavagem/desmontagem ou a posição do interruptor para cima para vaporizar a cera (Fig. 3).

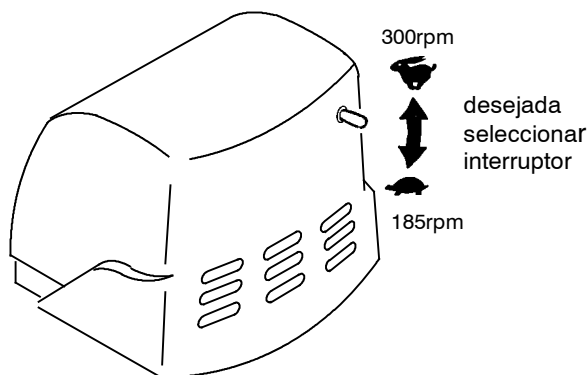


FIG. 3

3. Empurrando o manípulo assim a armação de suporte da escova de lavagem é paralelo ao pavimento.

4. Meter a máquina a funcionar carregando no botão de bloco de segurança e rodar os manípulos rotativos para a frente. Deixar o polegar do botão de bloco de segurança para que a máquina possa ligar-se (Fig. 4).

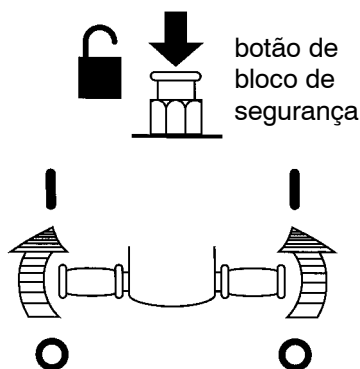


FIG. 4

5. Para girar à direita: Levantar ligeiramente o manípulo e a máquina avançará à direita. Para girar à esquerda: Baixar ligeiramente o manípulo e a máquina girará à esquerda. Trabalhar com a máquina movendo-se de lado a lado (Fig.5).

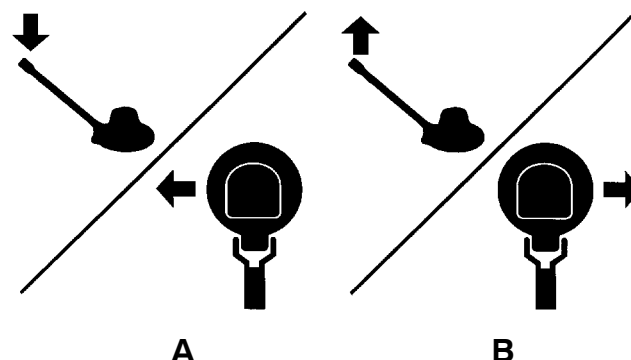


FIG. 5

6. Para desligar a máquina: Rodar os manípulos para trás e carregar no botão de bloco de segurança.

⚠ ATENÇÃO: Para evitar sérios danos pessoais, esperar sempre até que o prato ou a escova parem completamente antes de deixar os manípulos rotativos.

NOTA: A máquina é equipada com um interruptor de circuito. O interruptor de circuito saltará em condições de excessiva sobrecarga. Periodicamente controlar o prato por excessivas acumulações de sujidade. Rodar o prato para fora, limpá-la ou substituir quando é necessário. Se o interruptor de circuito salta fazer o reset ao interruptor depois de 15 segundos carregando o botão ao lado do manípulo. Retomar às normais operações.

⚠ ATENÇÃO: Para evitar sérios danos pessoais, desligar sempre a máquina primeiro de executar determinadas manutenções.

REPARAR A MÁQUINA

⚠ ATENÇÃO: Para evitar sérios danos pessoais, desligar sempre a máquina primeiro de executar determinadas manutenções.

1. Remover a espiga do prato ou a escova depois de cada utilização. Isto prevém danos às conexões.
2. Limpar a base da máquina depois de cada utilização.
3. Lavar sempre os pratos depois de cada utilização. Nunca utilizar pratos sujos ou permitir a estes de funcionar primeiro de os substituir.
4. Enrolar sempre o fio da electricidade em redor dos devidos ganchos em vez de os deixar apoiados sobre o manípulo. Limpar o fio com um pano húmido depois

de cada utilização. Controlar também o fio da electricidade para eventuais danos, se gastos ou danificados, substituí-lo imediatamente.

5. O sistema de marcha e o motor são lubrificados em fabrica e não pedem ulteriores atenções.

ITENS DE ESTOQUE RECOMENDADOS

Consulte o manual da lista de peças para saber os itens de estoque recomendados. Os itens de estoque são identificados por uma marca antes da descrição da peça. Veja o exemplo a seguir:

26	1017380	(00000000-) • Hoop, Drain, Assy, 1.5d X 29.5l, Blk, Flx
27	1008639	(00000000-) • Drain Assy
28	1019563	(00000000-) • Strap, Drain Cap
29	1008637	(00000000-) • O Ring, 1.48" Id, 1.76" Od

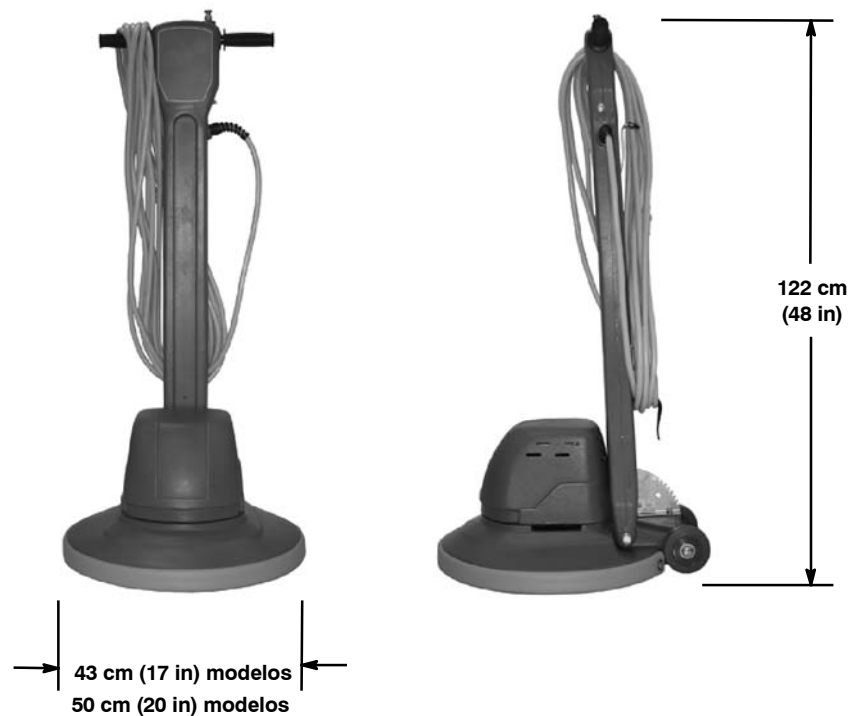
RESOLUÇÃO DOS PROBLEMAS

PROBLEMA	CAUSAS	SOLUÇÃO
Máquina não funciona	Máquina é desligada	Ligar a máquina
	Interruptor de circuito salta	Reset do interruptor sobre a máquina
	Interruptor de circuito original salta	Reset do interruptor ou trocar por um diferente circuito
	Fio da electricidade defeituoso	Contactar o centro de assistência Tennant
	Cablagem defeituosa	Contactar o centro de assistência Tennant
	Interruptor manípulo rotativo defeituoso	Contactar o centro de assistência Tennant
	Condensador queima (só modelos uma veloc.)	Contactar o centro de assistência Tennant
	Rectificador queima (só modelos dupla veloc.)	Contactar o centro de assistência Tennant
O interruptor de circuito da máquina salta continuamente	Prato sujo	Substituir o prato
	Prato não adaptado para a aplicação	Substituir com prato adaptado
	Defeituoso interruptor de circuito	Contactar o centro de assistência Tennant
	Escovas do motor consumadas	Contactar o centro de assistência Tennant

ESPECIFICAÇÕES

NO. MODELO	FM- 17- SS / FM- 43- SS	FM- 20- SS / FM- 51- SS	FM- 20- DS / FM- 51- DS
LARGURA	45cm / 17.75"	53cm / 20.75"	53cm / 20.75"
ALTURA	122cm / 48"	122cm / 48"	122cm / 48"
PESO	43Kg / 95 lbs.	43Kg / 95 lbs.	43Kg / 95 lbs.
ESPIGA DO MOTOR	120V, 1.5 hp 12A, 60Hz	120V, 1.5 hp 12A, 60Hz	120V, 1.5 hp 12A, 60Hz
VELOCIDADE PRATO/ESCOVA	175 rpm.	175 rpm.	185/330 rpm
COMPRIMENTO DO FIO ELETRICIDADE	5m / 50' calibre 3X1.5mm	15m / 50' calibre 3X1.5mm	15m / 50' calibre 3X1.5mm
DIÂMETRO DO PRATO/ESCOVA	43cm / 17"	51cm / 20"	51cm / 20"
ESTIMA DECIVEL NA ORELHA DO OPERADOR, NUM PAVIMENTO DE AZULEJOS NUMA ZONA FECHADA	<70dB(A)	<70dB(A)	71dB(A) a baixa velocidade 73dB(A) a alta velocidade

DIMENSÕES DA MÁQUINA



本手册随每种新型号提供。
提供必要的操作和维护说明。

操作或维修前请通读本手册并熟悉机器。


该机器将提供卓越的性能。若在日常操作中注意以下事项，则能达到事半功倍的效果。

- 操作机器时非常小心。
- 定期维护机器-根据每台机器提供的维护说明。
- 维护机器的使用坦能提供的部件或同类部件。


部件和供应可以在线订购，通过电话、传真或邮件订购。

打开机器包装：

仔细检查硬纸箱是否存在损坏迹象。立刻向运营商报告损坏。



保护环境
请按照当地废物处理法规以环境安全的方式处理包装材料和旧的机器组件。



始终记住再循环。

机器信息

请在安装时填写供未来参考。

型号 - _____

序列号 - _____

机器选项 - _____

销售代表 - _____

销售代表电话号码 - _____

客户编号 - _____

安装日期 - _____

目录

安全预防措施	37
安全标签	38
机器部件	39
机器安装	39
机器操作	40
机器维护	41
运输机器	41
存放机器	42
建议的常备配件	42
故障排除	42
技术参数	43

Tennant Company

PO Box 1452
Minneapolis, MN 55440
Phone: (800) 553- 8033 or (763) 513- 2850
www.tennantco.com

坦能清洁系统设备（上海）有限公司

上海市青浦区工业园区天盈路66 号3 号楼， 201700
电话：（86-21） 6922-5333
传真：（86-21） 6922-5151
www.tennantco.com.cn

规格和零件可能更改，恕不另行通知。

版权所有 © 2010-2014 TENNANT Company.
保留所有权利。

安全预防措施

本机器仅用于商业用途，且专用于擦洗室内地面，不得用于其它用途。机器只能使用推荐的百洁垫/刷子和商用地面清洁剂和涂蜡。

所有操作员必须阅读、理解并遵守下列安全预防措施。

本手册使用下列警告符号和“为确保安全”标题，请见各自说明：

警告：对可能导致人员重伤或死亡的危险或不安全做法提出警告。

为确保安全：需明确安全操作设备必须采取的行为。

不遵守这些警告可能会引发人员受伤、电击、火灾或爆炸。

警告：火灾或爆炸危险：

- 禁止使用易燃液体，禁止靠近易燃液体，易燃挥发气体，易燃粉尘附近使用或操作机器。

本机器未装配防爆马达。在启动和操作时，电动马达可能会产生火花，若有易燃挥发气体/液体或易燃粉尘的地方使用本机器，则可能引发火灾或爆炸。

警告：电气危险。禁止使用已损坏的电源线操作。禁止修改插头。维修机器前先拔下电源插头。

若电源线损坏或断裂，应由制造商、授权的代理服务机构或类似的合格人员更换，以免发生危险。

警告：电击危险。禁止在室外使用。禁止雨淋。应室内存放。

下列情况可能会对操作员或设备构成危险：为确保安全：

1. 下列情况禁止操作机器：

- 靠近易燃液体，易燃挥发气体，易燃粉尘附近，可能发生爆炸或暴燃。
- 未经过培训并得到授权。
- 未阅读并理解操作手册。
- 电源线未正确接地。
- 使用已损坏的电源线或插头。
- 未处于正确操作条件时。
- 在户外区域。
- 在水中。
- 使用延长电源线时。

2. 启动机器前：

- 确保所有安全设备已安装就位并正常工作。
- 取走地面上的松散物体，以免被百洁垫在旋转时弹射，发生危险。
- 按要求放置地面湿滑标记。

3. 使用机器时：

- 保持百洁垫清洁。
- 禁止通过插头或电源线拉动机器。
- 机器运行时不得压住电源线。
- 禁止在锋利边缘或拐角处拉动电源线。
- 关门时禁止压住电源线。
- 禁止通过拉动电源线拔下插头。
- 禁止拉紧电源线。
- 禁止用湿手接触插头。
- 电源线应远离发热表面。
- 遵守化学容器中的混合和处理说明。
- 手柄位于垂直位置时，禁止接通电源。
- 百洁垫完全停止前禁止释放手柄。
- 在斜坡和光滑表面上慢速行进。
- 穿上防滑鞋。
- 若机器出现损坏或故障，应立即报告。
- 禁止小孩在附近玩耍。

4. 离开或维修机器前：

- 关闭机器。
- 从壁上插座拔下电源线。

5. 维修机器时：

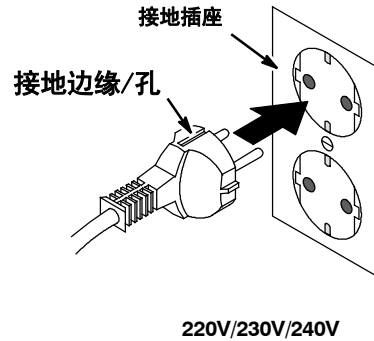
- 从插座上拔下电源线。
- 避免移动配件。不要穿宽松的夹克、衬衫或袖子宽松的衣服。
- 使用制造商提供或认可的零配件。
- 所有修理工作应由专业的维修人员进行。
- 禁止改变机器的原始设计。

6. 运输机器时：

- 抬起机器时应寻求帮助。
- 从插座上拔下电源线。
- 用紧固带将机器拴在卡车或拖车上。

接地说明

机器必须安全接地。若机器出现故障或损坏，接地线可使电流在最小电阻回路中流动，降低电击危险。本机器配有一根带有接地导体设备和接地插头的电源线。插头插入的插座必须符合所有本地法规和条例。



安全标签

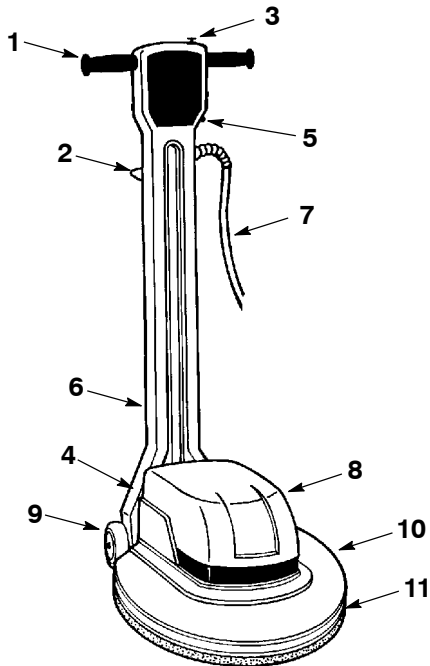
安全标签位于机器上的指定位置。若安全标签丢失、损坏或不可辨认，则应更换标签。



警告标签一位于机器手柄背面。



机器部件



1. 工作电源开/关操作手柄
2. 手柄高度调节杆
3. 安全锁定按钮
4. 速度选择开关（双速型号）
5. 断路器复位按钮
6. 电源线挂钩
7. 15m电源线
8. 马达盖
9. 102mm行走轮
10. 刷头
11. 防撞垫

机器安装

仔细检查纸板箱是否有损坏迹象。一旦发现损坏，立即报告承运商。

安装针座/百洁垫/刷子

为确保安全：离开或维修机器前先从插座上拔下电源线。

注意：清洁地毯请参见本手册中的“清洁地毯”部分。

1. 操作手柄位于垂直位置时，小心地向后倾斜机器，将操作手柄躺倒在地面上。
2. 将百洁垫放在针座上。若机器装有塑料中心锁扣，则用锁扣锁住百洁垫。

注：有关百洁垫和刷子的推荐请咨询授权分销商。仅可使用制造商提供或认可的针座和刷子。

3. 将针座/刷子装到驱动马达中心，然后逆时针转动使之啮合（图 1）。

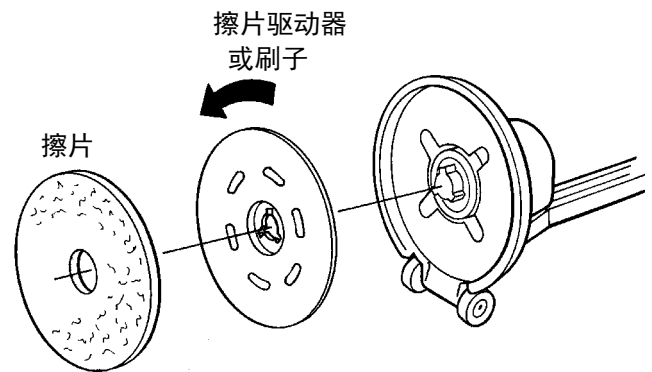


图 1

4. 将机器恢复垂直站立。

机器操作

为确保安全：除非已经阅读并理解操作手册，否则不得操作机器。

警告：火灾或爆炸危险。禁止在易燃液体、易燃挥发气体或易燃粉尘附近操作机器。

操作机器

1. 将电源线插头插入带有接地的插座内（图 2）。

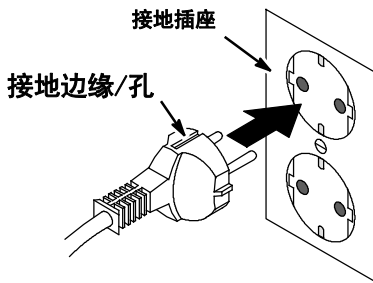


图 2

为确保安全：除非电源线已正确接地，否则禁止操作机器。禁止操作电源线或插头已损坏的机器。禁止使用延长电源线操作机器。

2. 双速型号：选择合适的马达速度。向下放置速度选择开关（185rpm），用于洗地、除蜡和地毯清洁。向上放置速度选择开关（300rpm），用于抛光清洗（图 3）。

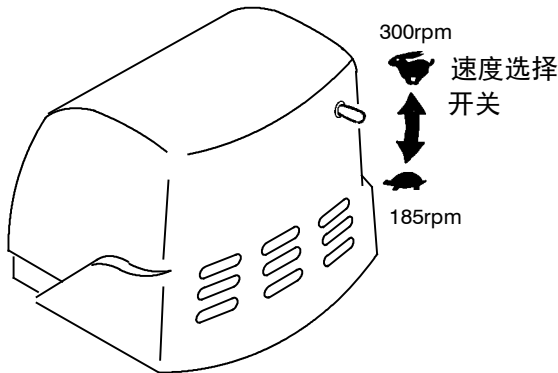


图 3

3. 上拉手柄高度调节杆，将手柄置于合适的操作高度。释放调节杆，固定手柄（图 4）。

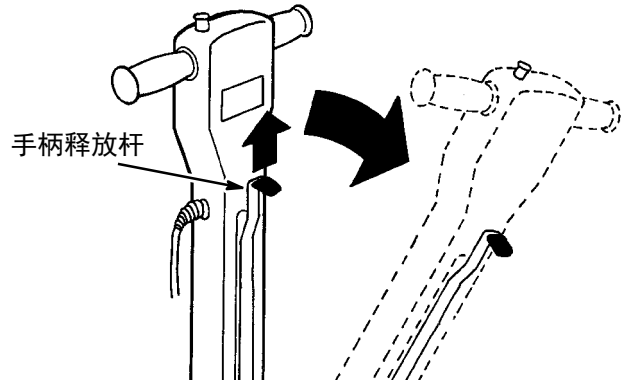


图 4

4. 启动机器前，握紧手柄，使机器底座与地面平行，可减少机器启动时的突发晃动。

注：对于初次使用的用户，请使用较软的抛光百洁垫。

5. 开始洗地时，牢牢地握住手柄，下压安全锁定按钮，然后向前转动手柄。一旦启动机器，松开安全锁定按钮（图 5）。

注：启动机器时须十分小心，因为转动操作手柄时机器会出现晃动。

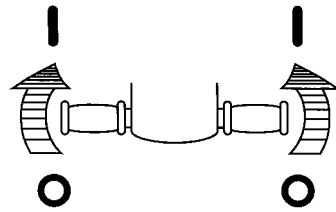
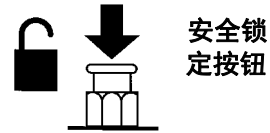


图 5

6. 稍稍压下手柄，向左移动机器（A）；稍稍上拉手柄，向右移动机器（B）。以左右运动模式操作机器进行清洗（图6）。

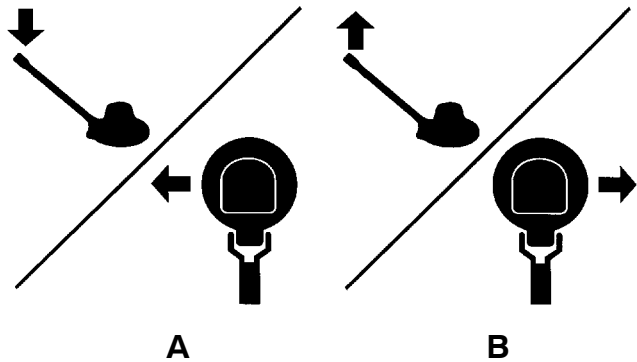


图 6

注：百洁垫变脏时，拆卸下百洁垫，并翻转使用干净的一面。两面均变脏后，拆卸并清洗百洁垫。

7. 要停止机器，先向后旋转手柄，然后牢牢握住手柄，直至机器完全停止。安全锁定按钮将自动闭合。

为确保安全：使用机器时，在百洁垫完全停止前禁止释放手柄。

注：机器断路器会在过载时跳闸。更换成较软的百洁垫/刷子，并定期检查百洁垫的污秽程度和清洗。要复位断路器，等待15秒，然后按下手柄上的复位按钮。

8. 禁止长时间在同一地方操作机器，以免损坏地面。
9. 越过门槛和梯级时，停止并向后倾斜机器，使行走轮承重。
10. 不用机器时，禁止将机器立于百洁垫/刷子上，使百洁垫/刷子承重，损坏百洁垫/刷子。
11. 洗地完成，进行下列机器维护保养步骤。

操作清水箱及配件

1. 将推荐的清洁剂注入清水箱。

警告：火灾或爆炸危险。禁止使用易燃液体。

为确保安全：使用机器时，始终遵守化学容器中的搅拌和处理说明。

2. 将手柄置于工作位置。转动水量控制旋钮，清洁剂将会分散至百洁垫/刷子上。

清洁地毯

清洗地毯要求使用Shampoo 地毯清洗刷。不能使用硬地面刷子；否则会造成人员伤害和地毯损坏。订购Shampoo 地毯清洗刷p/n604989 (43 cm)与607463 (50 cm)，或咨询分销商或经销商获取相关建议。

清洗地毯前，必须用合适的的地毯清洁剂事先喷洒地毯一遍。该清洁剂将起到润滑作用，使地毯清洗刷旋转时阻力较小。

为确保安全：为避免在地毯上启动机器时出现晃动，请使用建议的地毯清洗刷并事先喷洒地毯。

使用双速型机器清洗地毯时，禁止高速操作机器；以免造成人员受伤。

为获得最佳的清洗效果，在地毯上喷洒清洁剂约10—12分钟后开始清洗。务必使用地毯清洗刷，且应平缓、稳定地操作机器。

清洗后，在地毯仍潮湿时，使用抽洗机或湿式真空吸尘器回收悬浮在地毯上的污垢和泡沫。然后在地毯完全变干时，使用真空吸尘器吸尘。

机器维护

警告：电气危险。维修机器前先拔下电源线插头。

1. 每次使用后，拆卸并清洗针座/刷子。
2. 每次使用后要清洗机器底座。
3. 使用清水冲洗清水箱和清水软管（若选配）。
4. 每次使用后检查电源线是否损坏。若出现磨损或损坏，则应立即更换电源线。
5. 每次使用后，用轻度潮湿的布擦拭电源线，并将电源线整齐地挂在手柄的吊钩上。
6. 定期检查所有螺栓和螺母是否紧固。
7. 双速型号：每操作250小时后检查马达碳刷的磨损情况。当磨损至1cm或更小长度时，更换碳刷。有关碳刷的检查信息，请联系授权服务中心。

为确保安全：所有修理工作应由专业的维修人员进行。

运输机器

1. 拔下电源线插头，从机器上拆卸百洁垫。将电源线整齐地挂在吊钩上，以免损坏电源线。
2. 用推荐的装载坡台装载机器或在别人的帮助下小心抬起机器。

为确保安全：运输，抬起机器时应寻求帮助。

3. 通过车辆运输时，用紧固带将机器拴在卡车或拖车上。

存放机器

1. 从机器上拆下刷子/针座，并将电源线整齐地挂在手柄的吊钩上。
2. 在干燥区域垂直放置机器。

**警告：电击危险。禁止在室外使用。
禁止雨淋。室内存放。**

故障排除

故障	起因	解决方案
机器不能操作	电源线发生故障。	联系服务中心。
	断路器跳闸。	复位机器断路器。
	楼宇断路器跳闸。	复位楼宇断路器。
	机器线路损坏。	联系服务中心。
	电源开/关 手柄开关故障。	联系服务中心。
	马达故障。	联系服务中心。
	电容器烧坏（单速型号）。	联系服务中心。
	整流器烧坏（双速型号）。	联系服务中心。
机器操作时晃动或不平稳。	百洁垫已变脏。	更换百洁垫。
	使用了不合适的百洁垫/刷子。	更换合适的百洁垫/刷子。
	没有正确安装针座/刷子。	拆卸并重新安装针座/刷子。
	百洁垫/刷子不均匀磨损。	更换百洁垫/刷子。
	百洁垫未在针座上中心。	拆卸并重新安装百洁垫。
机器断路器连续跳闸。	百洁垫/刷子极脏	清洁或更换百洁垫/刷子
	使用了不合适的百洁垫/刷子。	更换合适的百洁垫/刷子。
	断路器故障。	联系服务中心。
	马达中的碳刷磨损。	联系服务中心。

建议的常备配件

建议的常备配件信息请参见机器随附的配件手册。常备配件在配件说明之前用一个黑点清晰表示出来。参见下列示例：

26	1017380	(00000000-) • Hose, Drain, Assy, 1.5d X 29.5l, Blk, Flx
27	1008639	(00000000-) • Drain Assy
28	1019563	(00000000-) • Strap, Drain Cap
29	1008637	(00000000-) • O Ring, 1.48" Id, 1.76" Od

技术参数

型号	FM-43-SS	FM-51-SS	FM-51-DS
宽度	450 mm	527 mm	527 mm
高度	1220 mm	1220 mm	1220 mm
重量	43Kg	43Kg	43Kg
驱动马达	240V, 1.1 kW, 7A, 50Hz	230V, 1.1 kW, 7A, 50Hz	230V, 1.1kW, 7A, 60Hz
	230V, 1.1 kW, 7A, 60Hz	220V, 1.1 kW, 7A, 60Hz	
百洁垫/刷子转速	175 RPM	175 RPM	185/330 RPM
电源线长度	15M	15M	15M
刷子/百洁垫直径	432 mm	508 mm	508 mm
噪音分贝--室内瓷 砖地面	<70dB(A)	<70dB(A)	低速时为 71dB(A) 高速时为 73dB(A)

参数可能有所更改，恕不另行通知。

机器尺寸

