



## Electronic Service Manuals

This electronic document is provided as a service to our customers. We do not create the contents of the information contained in this document. Should you have detailed questions pertaining to the information contained in this document, you may contact Michco, or the manufacturer which provided the original information in this electronic deliverable. Michco's only part in this electronic deliverable was the electronic assembly process. By providing this manual on line we are not guaranteeing parts availability.

You may contact Michco through the following methods:

Phone (517) 484-9312 or (800) 331-3339

2011 N. High St. -- Lansing, Michigan -- 48906

Fax: (517) 484-9836

Email: [CustServe@Michco.com](mailto:CustServe@Michco.com)

Web site: [www.Michco.Com](http://www.Michco.Com)

Parts Web site: [www.FloorMachineParts.Com](http://www.FloorMachineParts.Com)

Order Parts on Line at:

**[www.FloorMachineParts.Com](http://www.FloorMachineParts.Com)**

Directly to Parts & Service:

By Email: **[Shop@Michco.com](mailto:Shop@Michco.com)**

By Fax: (517) 702-2041

By Voice: Use numbers above.

**Serving the Cleaning Industry Since 1922**

Notice: All copyrighted material remains property of original owners, all trademarks are property of respective owners. Manuals are subject to Manufacturer's reproduction limitations. Originals or reproductions were provided by manufacturers through a request. We make no warranty as to the correctness of information provided in this document and you assume all risk. By placing these manuals on line we are not declaring our corporation to be an manufacturer authorized dealer or provider, please check our web site for authorized manufacturers we represent.

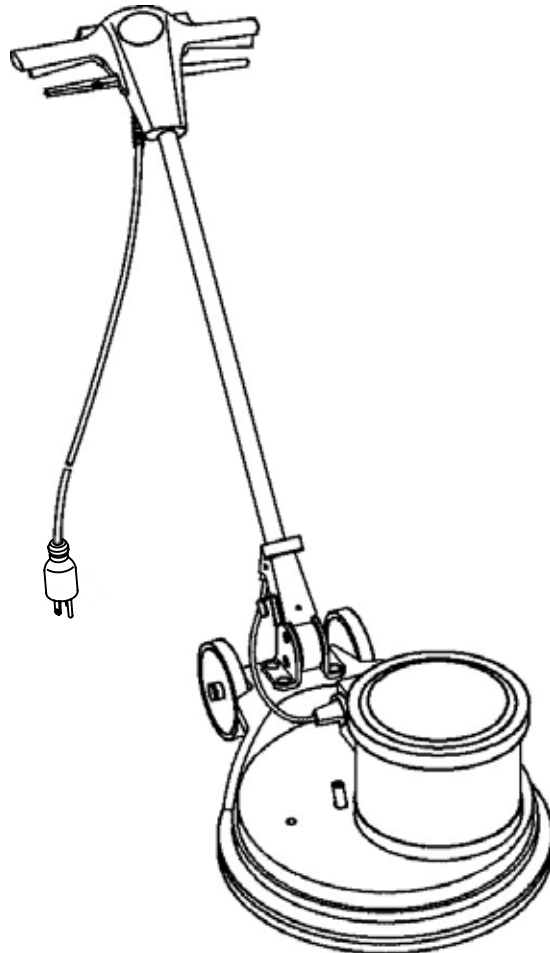


# 2260/2270

Dual Speed Floor Machine  
Máquina de fregar

**Model No.:**  
1001055 - 2260 (120V/60Hz)  
1001056 - 2270 (120V/60Hz)

**Operator and Parts Manual**  
**Manual del Operador y Piezas**



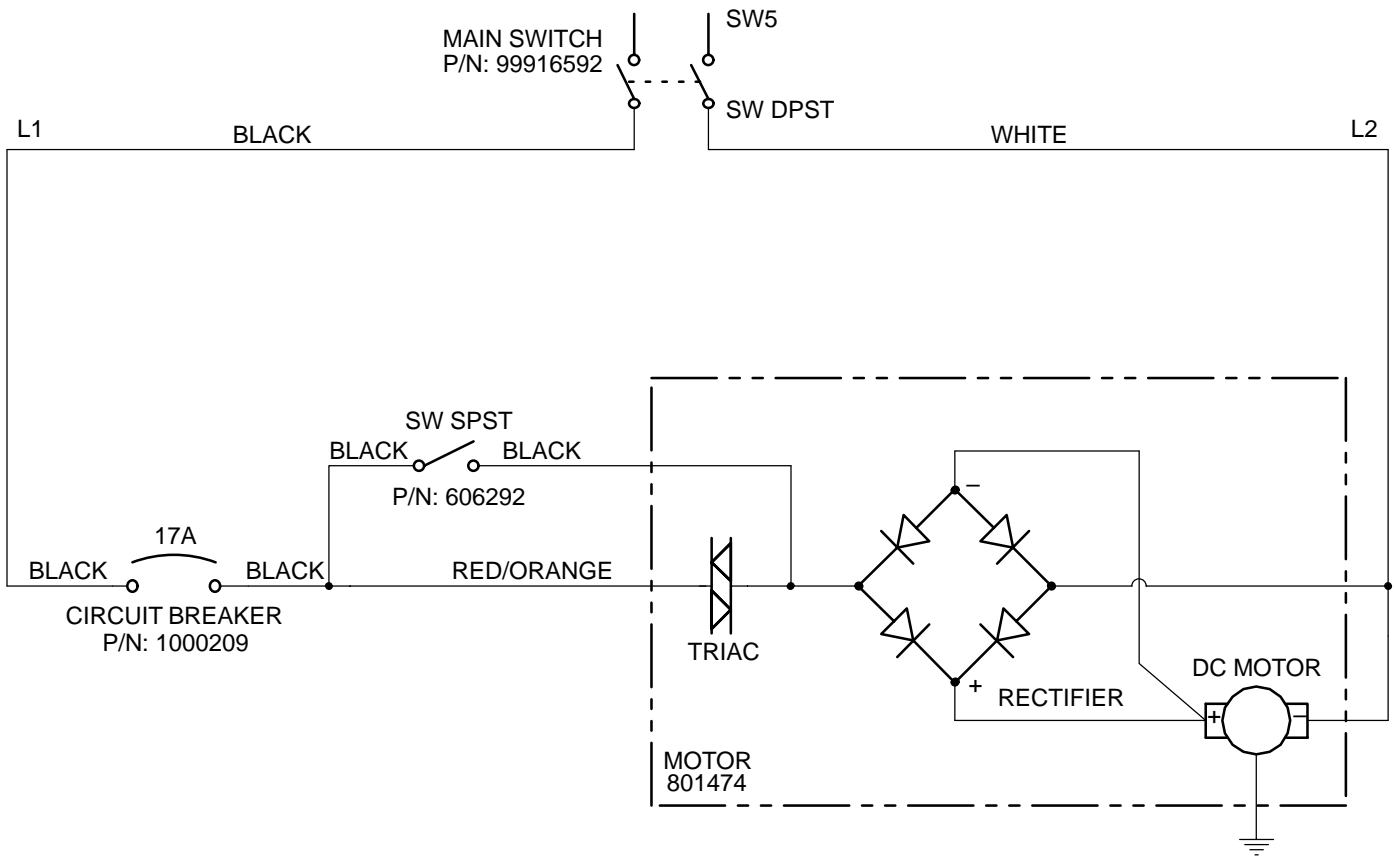
**TENNANT COMPANY**  
**Commercial Products**  
12875 RANSOM STREET  
HOLLAND MI 49424 U.S.A.

FAX: 1-800-678-4240  
1-616-786-2345  
CUSTOMER SERVICE: 1-800-982-7658  
1-616-786-2330

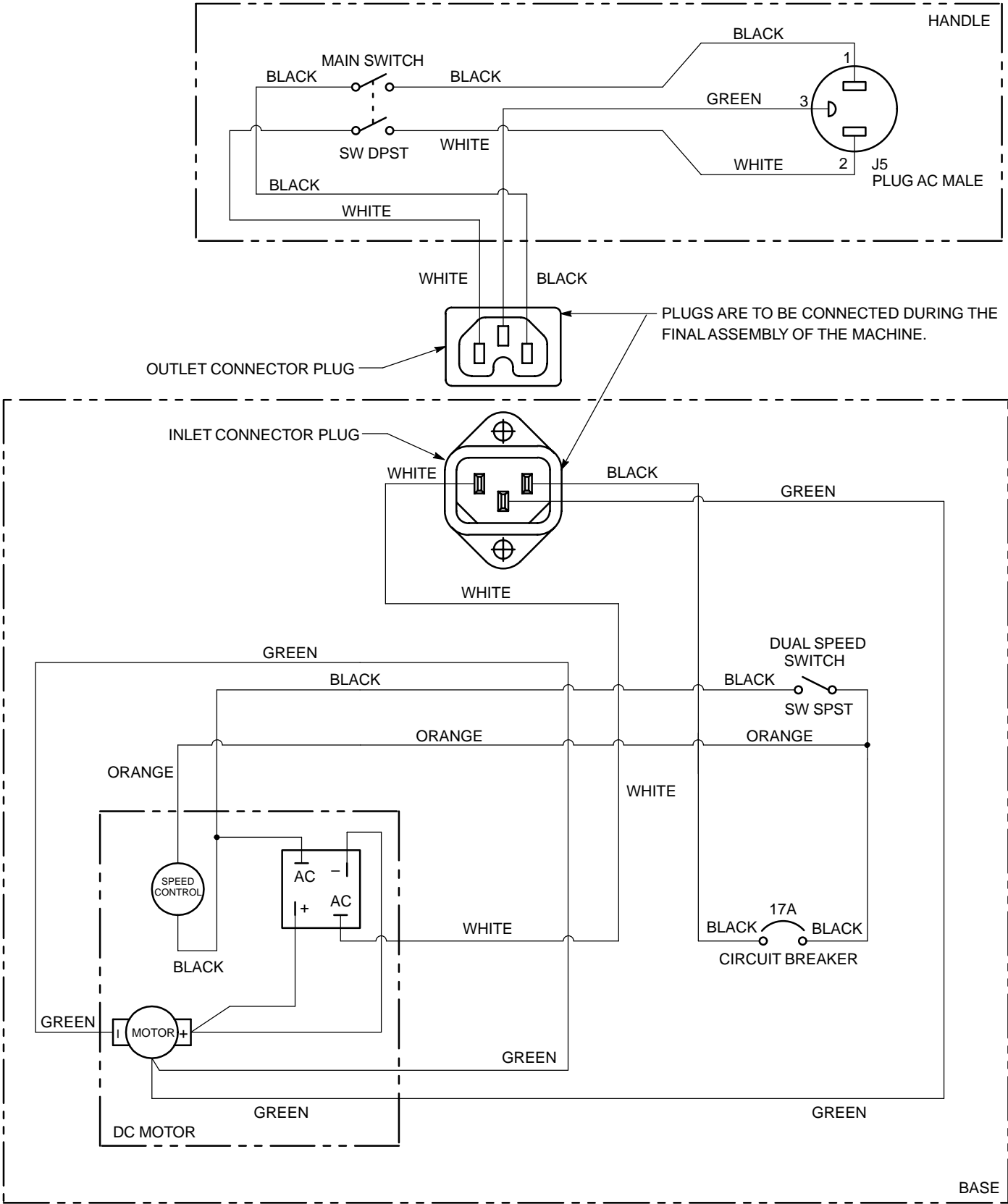
801477  
Rev. 01 (10-02)

# ELECTRICAL DIAGRAMS DIAGRAMAS ELECTRICAS

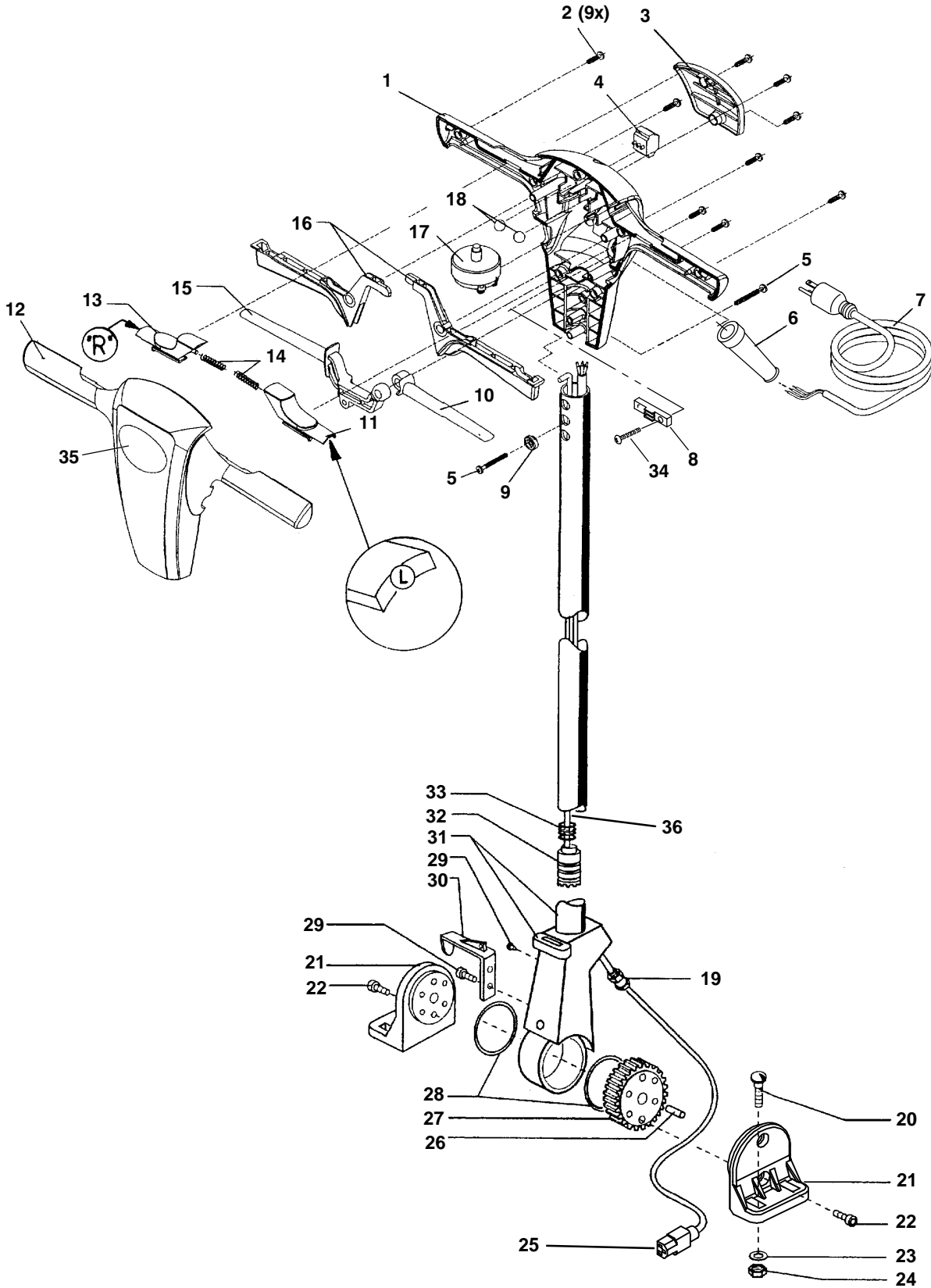
## 120V LADDER DIAGRAM DIAGRAMA ESCALONADO



120V WIRING DIAGRAM  
DIAGRAMA DE CABLEADO



2260/2270 HANDLE GROUP  
GRUPO DEL ASA



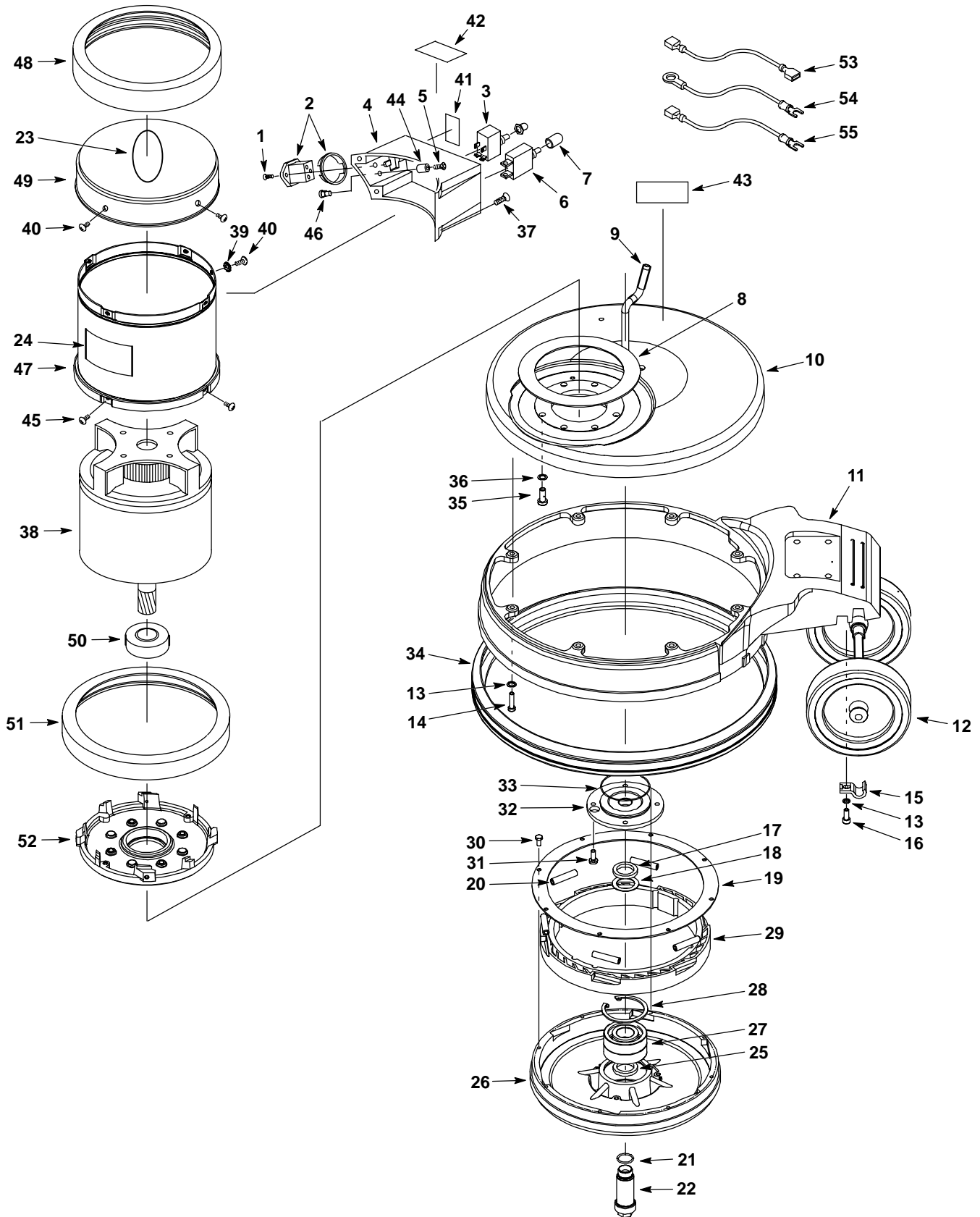
**2260/2270 HANDLE GROUP**  
**GRUPO DEL ASA**

REF	PART #	DESCRIPTION	QTY
	801454	ASSEMBLY, HANDLE	1
1	613267	●HOUSING	1
2	801274	●SCREW	9
3	801003	COVER	1
4	801052	BINDING POST	1
5	801247	SCREW	2
6	801448	●GRIP, CORD	1
7	801359	CABLE	1
8	99916617	BINDING POST	1
9	99916544	INSERT	1
10	801009	●LEVER	1
11	801005	●SLIDE "L"	1
12	613264	●HOUSING	1
13	801004	●SLIDE "R"	1
14	801013	●SPRING	2
15	612521	●LEVER	1
16	801006	●LEVER	2
17	99916592	●SWITCH	1
18	801035	●BALL	2
19	99942168	GRIP, CORD	1

REF	PART #	DESCRIPTION	QTY.
20	99918245	●SCREW	4
21	613336	HOLDER	2
22	99915121	SCREW	4
23	99915678	●WASHER	4
24	99915680	●NUT	4
25	801353	●CABLE	1
26	99918243	PIN	2
27	99918238	●GEARWHEEL	1
28	99923586	●RING	2
29	99946554	SCREW	3
30	99915686	●HOOK	1
31	801143	●TUBE	1
32	801259	PLUNGER	1
33	99915228	●SPRING	1
34	801449	SCREW	2
35	99918249	LABEL, "TENNANT"	1
36	801038	PLUNGER	1
N/S	99918465	WIRE, BLUE	1
N/S	99921332	WIRE, BROWN	1

● RECOMMENDED STOCK ITEMS

**2260 BASE GROUP**  
**GRUPO BASE**



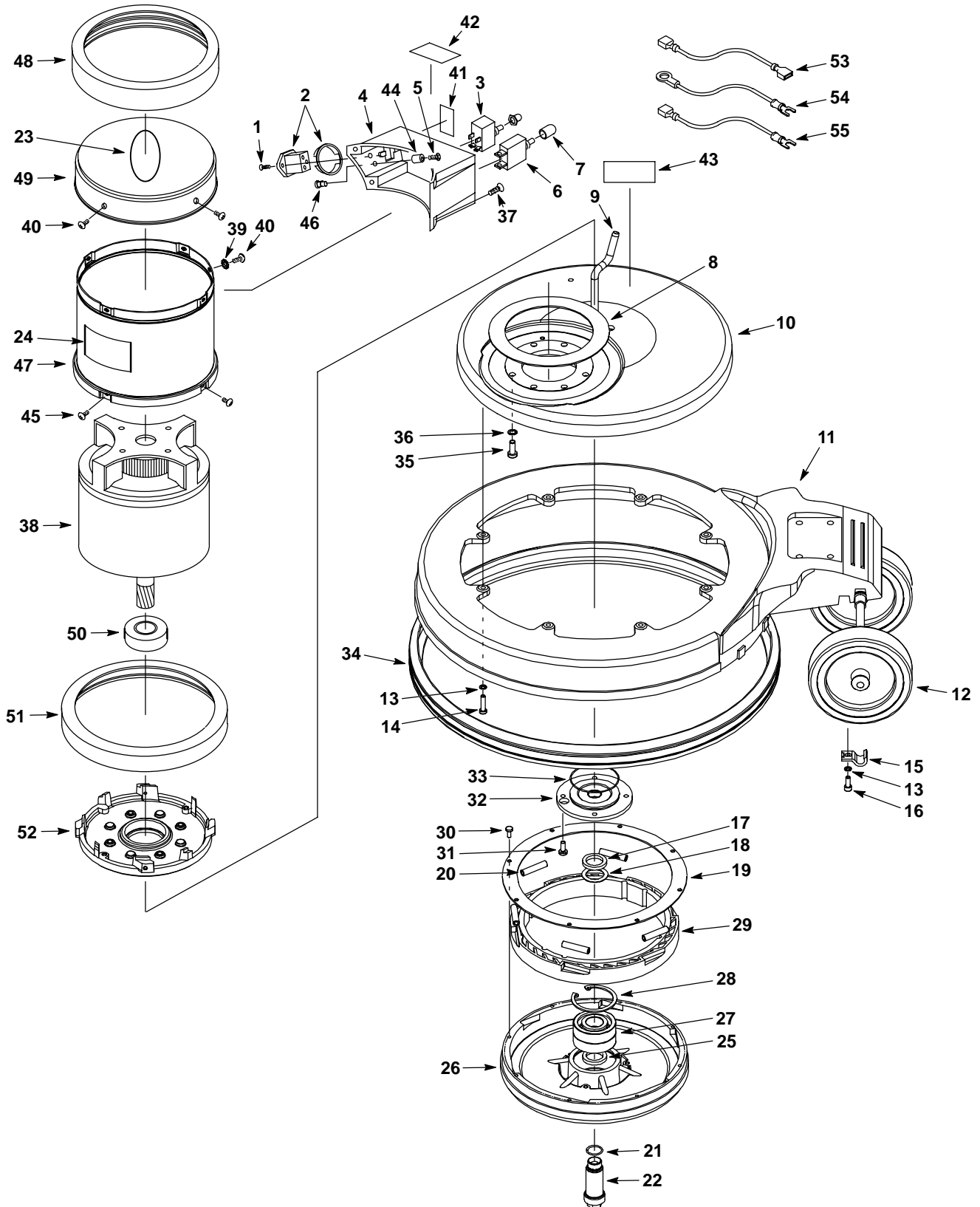
**2260 BASE GROUP**  
**GRUPO BASE**

REF	PART #	DESCRIPTION	QTY.
1	99927026	SCREW	2
2	99926012	●PLUG	1
3	606292	●SWITCH, 20A, 120V	1
4	801471	●HOUSING, CAPACITOR	1
5	99916079	SCREW	2
6	1000209	●CIRCUIT BREAKER, 17A	1
7	130761	CAP, WATER PROTECTION	1
8	801058	SEAL	1
9	801144	TUBE	1
10	801180	HOUSING	1
11	801466	FRAME	1
12	801059	●WHEEL SET W/ AXLE	1
13	99915640	WASHER, LOCK	9
14	99915199	SCREW	8
15	801138	CLIP	1
16	99922895	SCREW	1
17	801072	RING	1
18	99922381	WASHER, COMPENSATING	1
19	801135	RING	1
20	99916466	SPRING, COMPRESSION	6
21	613072	O-RING	1
22	613071	SHAFT	1
23	608136	LABEL, "TENNANT"	1
24	1000728	LABEL, "2260"	1
25	99916088	●SEAL, SHAFT	1
26	801339	PAD HOLDER	1
27	801311	●BEARING, BALL, DEEP GROOVE	2
28	99916470	RING, RETAINING	1
29	801032	COLLAR	1
30	99946554	SCREW	8

REF	PART #	DESCRIPTION	QTY.
31	801120	SCREW	4
32	801066	FLANGE	1
33	801131	RING	1
34	801164	●BUMPER PROTECTION DEVICE	1
35	99931652	SCREW	4
36	99915678	WASHER, LOCK	4
37	99928655	SCREW	4
38	801474	●MOTOR, 1.5 HP, 1800/3200RPM, 120V	1
	22117	●CARBON BRUSH, REPLACEMENT	4
39	99915166	WASHER, LOCK	1
40	99947444	SCREW	5
41	120675	LABEL, DUAL SPEED	1
42	602597	LABEL, WARNING	1
43	613286	LABEL, WARNING	
44	99923370	SPACER	2
45	99923224	SCREW	4
46	99918446	CAP	2
47	801465	SHROUD, MOTOR	1
48	99918814	●BUMPER, MOTOR	1
49	801464	COVER, TOP, MOTOR	1
50	801089	BEARING	1
51	99916030	●BUMPER, MOTOR	
52	801463	SHIELD, END, MOTOR	1
53	801481	WIRE, BLACK (CIR. BREAKER TO SWITCH)	1
54	801482	WIRE, GREEN (PLUG TO MOTOR HSG)	1
55	801483	WIRE, BLACK (PLUG TO CIR. BREAKER)	1

● RECOMMENDED STOCK ITEMS

2270 BASE GROUP  
GRUPO BASE



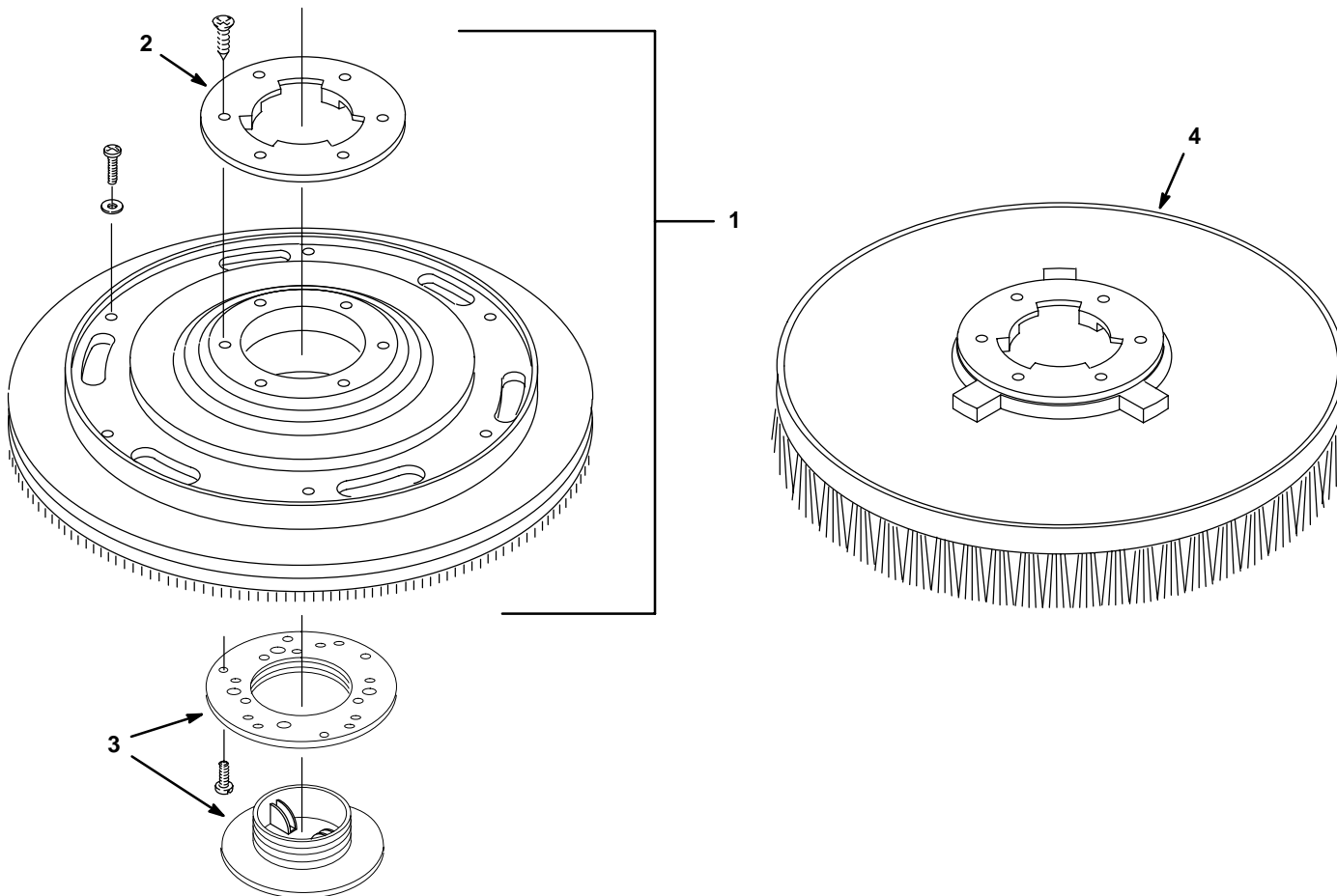
**2270 BASE GROUP**  
**GRUPO BASE**

REF	PART #	DESCRIPTION	QTY.
1	99927026	SCREW	2
2	99926012	●PLUG	1
3	606292	●SWITCH, 20A, 120V	1
4	801471	●HOUSING, CAPACITOR	1
5	99916079	SCREW	2
6	1000209	●CIRCUIT BREAKER, 17A	1
7	130761	CAP, WATER PROTECTION	1
8	801058	SEAL	1
9	801144	TUBE	1
10	801180	HOUSING	1
11	801462	FRAME	1
12	801059	●WHEEL SET W/ AXLE	1
13	99915640	WASHER, LOCK	9
14	99915199	SCREW	8
15	801138	CLIP	1
16	99922895	SCREW	1
17	801072	RING	1
18	99922381	WASHER, COMPENSATING	1
19	801135	RING	1
20	99916466	SPRING, COMPRESSION	6
21	613072	O-RING	1
22	613071	SHAFT	1
23	608136	LABEL, "TENNANT"	1
24	1000729	LABEL, "2270"	1
25	99916088	●SEAL, SHAFT	1
26	801339	PAD HOLDER	1
27	801311	●BEARING, BALL, DEEP GROOVE	2
28	99916470	RING, RETAINING	1
29	801032	COLLAR	1

● RECOMMENDED STOCK ITEMS

REF	PART #	DESCRIPTION	QTY.
30	99946554	SCREW	8
31	801120	SCREW	4
32	801066	FLANGE	1
33	801131	RING	1
34	801145	●BUMPER PROTECTION DEVICE	1
35	99931652	SCREW	4
36	99915678	WASHER, LOCK	4
37	99928655	SCREW	4
38	801474	●MOTOR, 1.5 HP, 1800/3200RPM, 120V	1
	22117	●CARBON BRUSH, REPLACEMENT	4
39	99915166	WASHER, LOCK	1
40	99947444	SCREW	5
41	120675	LABEL, DUAL SPEED	1
42	602597	LABEL, WARNING	1
43	613286	LABEL, WARNING	1
44	99923370	SPACER	2
45	99923224	SCREW	4
46	99918446	CAP	2
47	801465	SHROUD, MOTOR	1
48	99918814	●BUMPER, MOTOR	1
49	801464	COVER, TOP, MOTOR	1
50	801089	BEARING	1
51	99916030	●BUMPER, MOTOR	
52	801463	SHIELD, END, MOTOR	1
53	801481	WIRE, BLACK (CIR. BREAKER TO SWITCH)	1
54	801482	WIRE, GREEN (PLUG TO MOTOR HSG)	1
55	801483	WIRE, BLACK (PLUG TO CIR. BREAKER)	1

**REPLACEMENT BRUSHES AND PAD DRIVER GROUP  
CEPILLO DEL REEMPLAZO Y GRUPO DEL MANDO DE LA ALMOHADILLA**



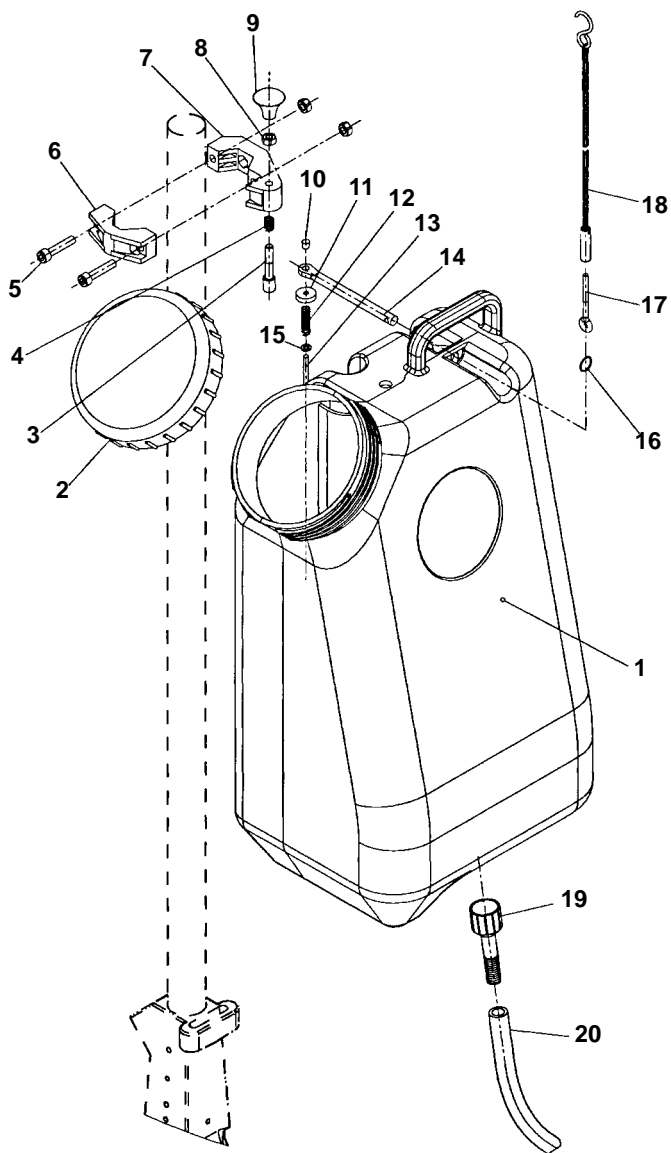
REF	PART #	DESCRIPTION	QTY
▽ 1	603537	ASM., PAD DRIVER 432MM (17") 2260	1
	605255	ASM., PAD DRIVER 508MM (20") 2270	1
▽ 1	600255	BLOCK, WOOD SANDING 432MM (17") 2260	1
	600256	BLOCK, WOOD SANDING 508MM (20") 2270	1
▲ 2	4184	PLATE, CLUTCH, METAL	1
	603539	PLATE, CLUTCH, PLASTIC	1
3	603538	●LOCK, CENTER (OPTIONAL)	1

REF	PART #	DESCRIPTION	QTY
4	240255	BRUSH, DYNA-SCRUB 432MM (17") 2260	1
	240257	BRUSH, DYNA-SCRUB 508MM (20") 2270	1
4	240256	BRUSH, STRATA-GRIT 432MM (17") 2260	1
	240258	BRUSH, STRATA-GRIT 508MM (20") 2270	1
4	<del>605117</del>	<del>BRUSH, ROTARY SHOWERFEED 432MM (17") 2260</del>	1
	<del>605118</del>	<del>BRUSH, ROTARY SHOWERFEED 508MM (20") 2270</del>	1

1019263 Brush, Disk, Scrub (20") HARD FLOOR  
607463 Brush, Disk, Scrub (18") CARPET

1019262 Brush, Disk, Scrub (17") HARD FLOOR  
604989 Brush, Disk, Scrub (15") CARPET

**SOLUTION TANK GROUP**  
**GRUPE DEL DEPÓSITO DE DISOLUCIÓN**



REF	PART #	DESCRIPTION	QTY
▽	801167	KIT, SOLUTION TANK	1
▲▽	1	800480 SOLUTION TANK W/ COVER	1
▲▲	2	99927951 COVER	1
▲	3	99924958 BOLT	1
▲	4	99924954 SPRING, COMPRESSION	1
▲	5	99921206 SCREW, SHCS	2
▲	6	99924308 COUNTER CLIP	1
▲	7	99927957 HOLDER, UPPER	1
▲	8	99915638 NUT	3
▲	9	99924964 KNOB	1
▲	10	99927956 END CAP	1

REF	PART #	DESCRIPTION	QTY
▲	11	99924464 NUT, KNURLED	1
▲	12	99927945 SPRING, COMPRESSION	1
▲	13	99924790 ROD	1
▲	14	99924972 ROD	1
▲	15	99920060 WASHER	1
▲	16	800320 RING	1
▲	17	99927962 HOOK	1
▲	18	801239 ASSEMBLY, CHAIN	1
▲	19	99941446 FITTING	1
▲	20	801166 HOSE	1

▽ ASSEMBLY

▲ INCLUDED IN ASSEMBLY