



## Electronic Service Manuals

This electronic document is provided as a service to our customers. We do not create the contents of the information contained in this document. Should you have detailed questions pertaining to the information contained in this document, you may contact Michco, or the manufacturer which provided the original information in this electronic deliverable. Michco's only part in this electronic deliverable was the electronic assembly process. By providing this manual on line we are not guaranteeing parts availability.

You may contact Michco through the following methods:

Phone (517) 484-9312 or (800) 331-3339

2011 N. High St. -- Lansing, Michigan -- 48906

Fax: (517) 484-9836

Email: [CustServe@Michco.com](mailto:CustServe@Michco.com)

Web site: [www.Michco.Com](http://www.Michco.Com)

Parts Web site: [www.FloorMachineParts.Com](http://www.FloorMachineParts.Com)

Order Parts on Line at:

**[www.FloorMachineParts.Com](http://www.FloorMachineParts.Com)**

Directly to Parts & Service:

By Email: **[Shop@Michco.com](mailto:Shop@Michco.com)**

By Fax: (517) 702-2041

By Voice: Use numbers above.

**Serving the Cleaning Industry Since 1922**

Notice: All copyrighted material remains property of original owners, all trademarks are property of respective owners. Manuals are subject to Manufacturer's reproduction limitations. Originals or reproductions were provided by manufacturers through a request. We make no warranty as to the correctness of information provided in this document and you assume all risk. By placing these manuals on line we are not declaring our corporation to be an manufacturer authorized dealer or provider, please check our web site for authorized manufacturers we represent.



# 2260/2270

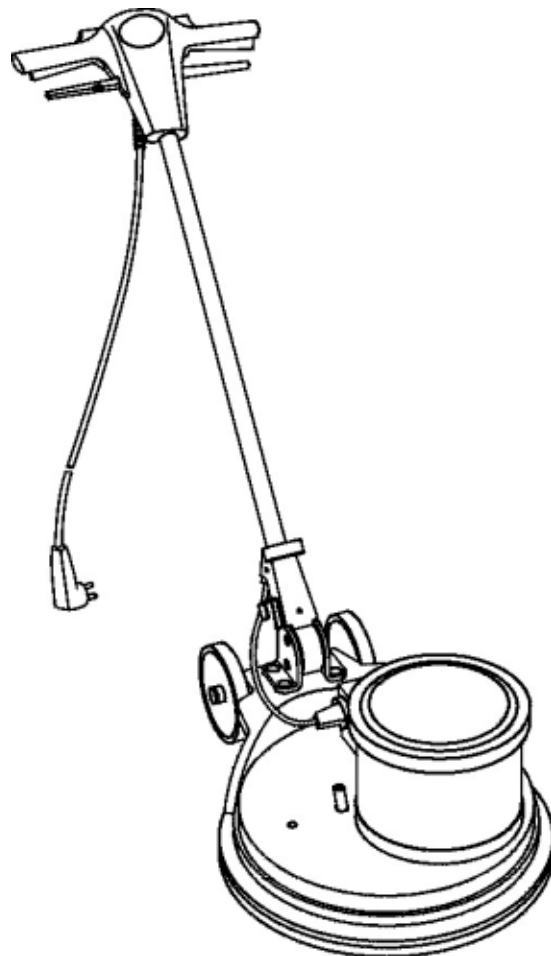
Dual Speed Floor Machine

**Model No.:**

**1001055 - 2260 (120V/60Hz)**

**1001056 - 2270 (120V/60Hz)**

**Operator and Parts Manual**



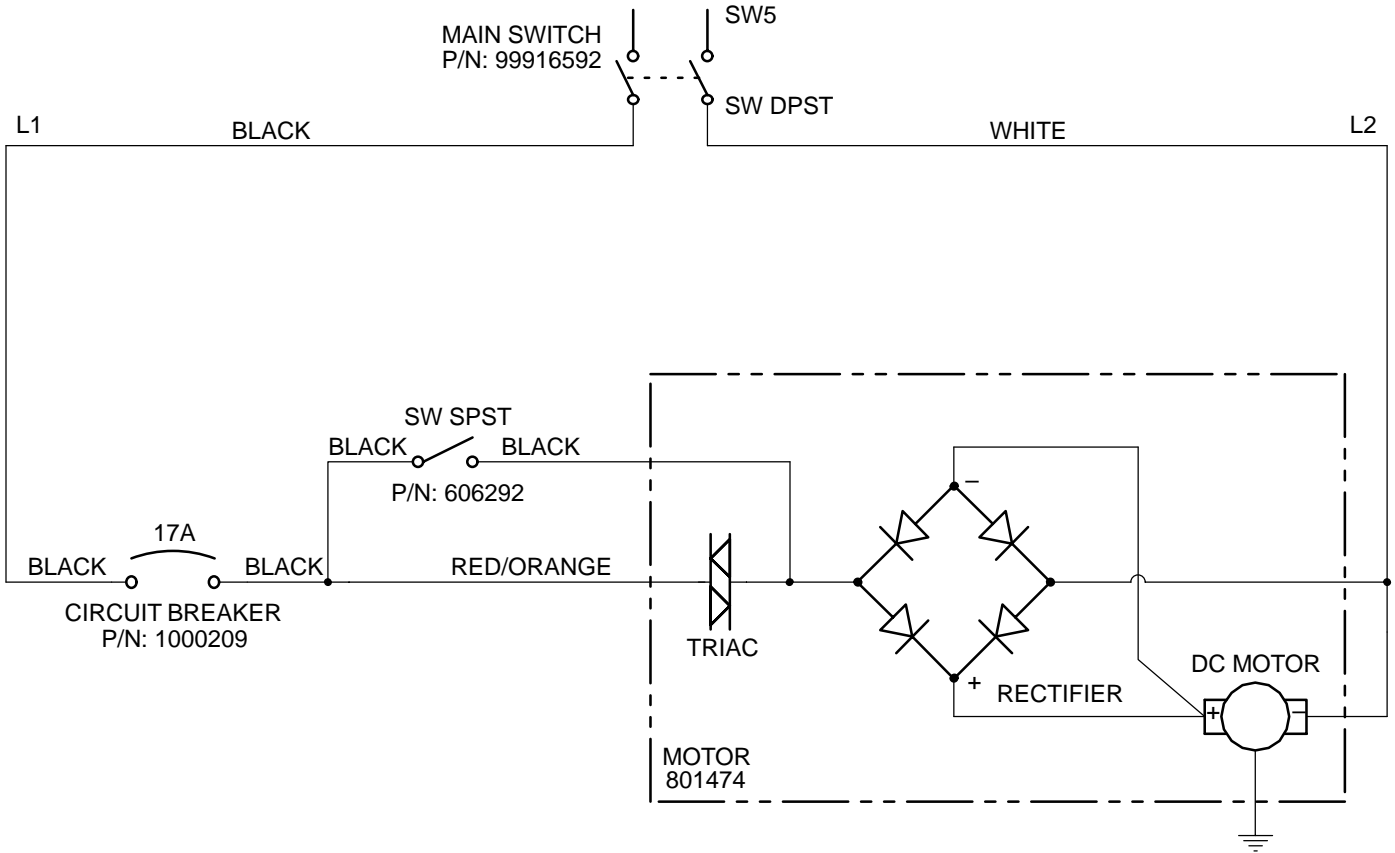
**TENNANT COMPANY**  
**Commercial Products**  
12875 RANSOM STREET  
HOLLAND MI 49424 U.S.A.

**FAX: 1-800-678-4240**  
**1-616-786-2345**  
**CUSTOMER SERVICE: 1-800-982-7658**  
**1-616-786-2330**

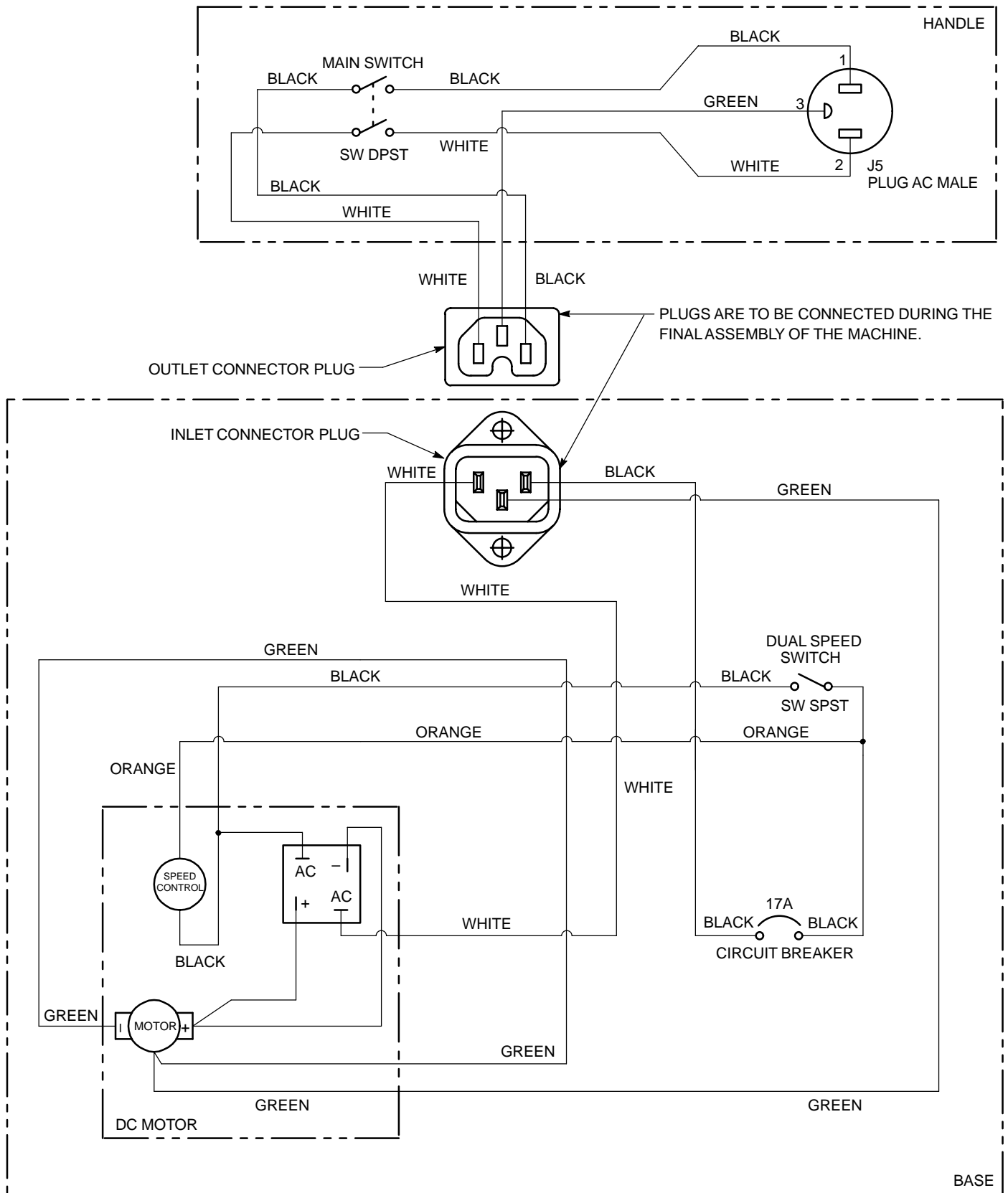
**801477**  
**Rev. 00 (01-02)**

# ELECTRICAL DIAGRAM

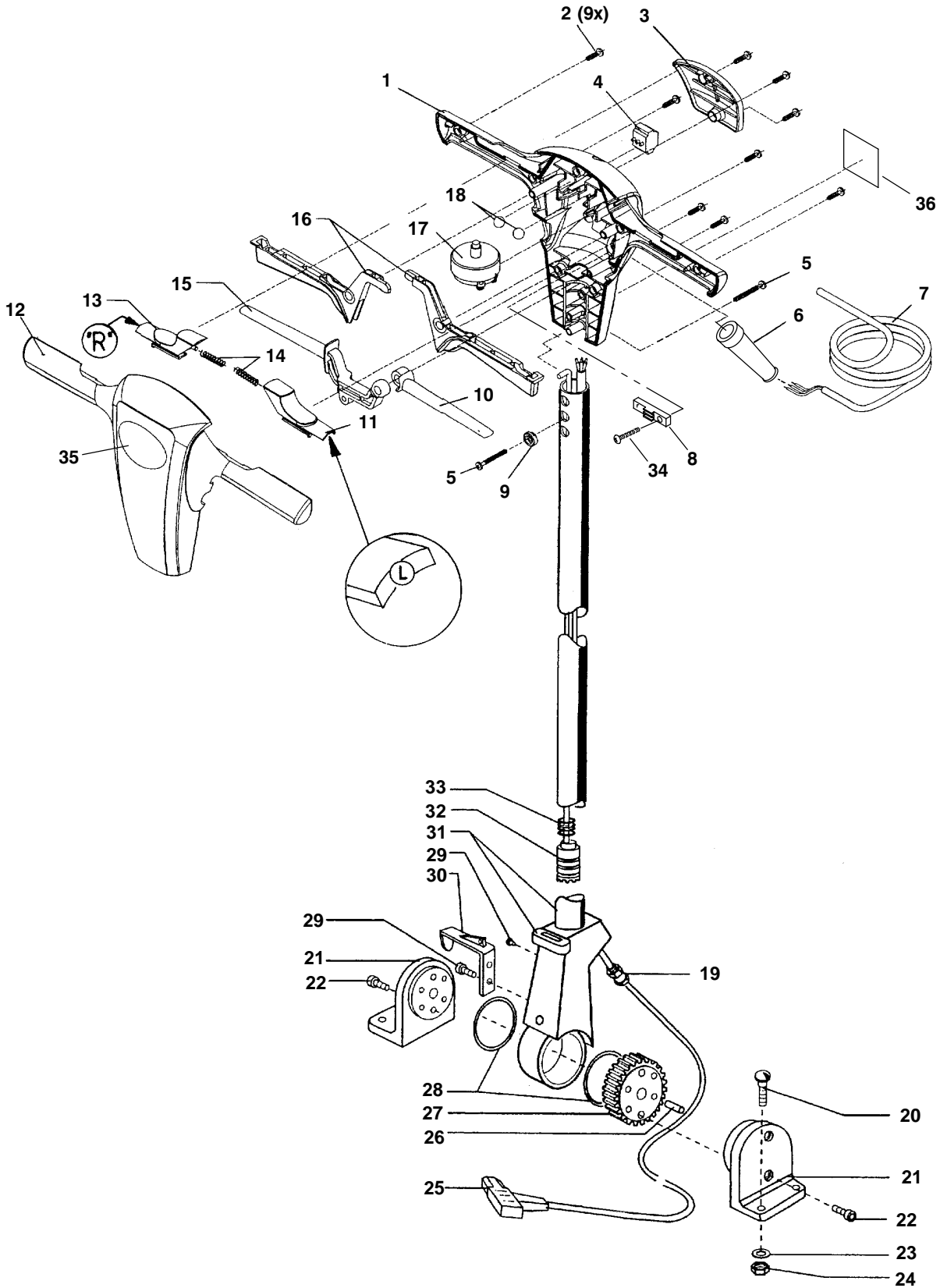
## LADDER DIAGRAM



## WIRE DIAGRAM



2260/2270 HANDLE GROUP



## 2260/2270 HANDLE GROUP

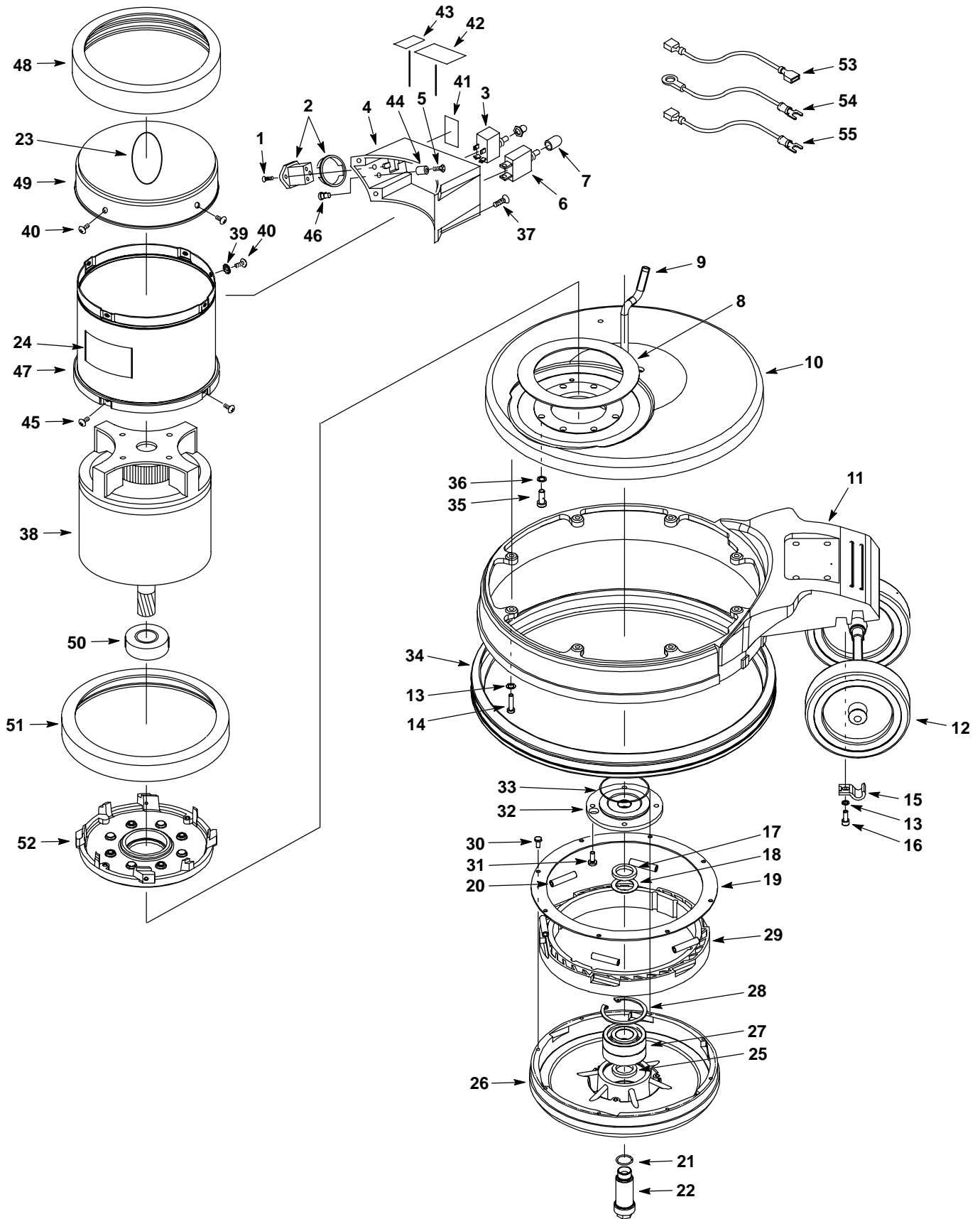
REF	PART #	DESCRIPTION	QTY
	801454	ASSEMBLY, HANDLE	1
1	801447	●HOUSING	1
2	801274	●SCREW	9
3	801003	COVER	1
4	801052	BINDING POST	1
5	801247	SCREW	2
6	801448	●GRIP, CORD	1
7	801359	CABLE	1
8	99916617	BINDING POST	1
9	99916544	INSERT	1
10	801009	●LEVER	1
11	801005	●SLIDE "L"	1
12	801007	●HOUSING	1
13	801004	●SLIDE "R"	1
14	801013	●SPRING	2
15	801008	●LEVER	1
16	801006	●LEVER	2
17	99916592	●SWITCH	1
18	801035	●BALL	2
19	99942168	GRIP, CORD	1

- Recommended Stock Item

REF	PART #	DESCRIPTION	QTY.
20	99918245	●SCREW	4
21	99918240	HOLDER	2
22	99915121	SCREW	4
23	99915678	●WASHER	4
24	99915680	●NUT	4
25	801353	●CABLE	1
26	99918243	PIN	2
27	99918238	●GEARWHEEL	1
28	99923586	●RING	2
29	99946554	SCREW	3
30	99915686	●HOOK	1
31	801143	●TUBE	1
32	801256	ROD	1
33	99915228	●SPRING	1
34	801449	SCREW	2
35	99918249	DECAL, "TENNANT"	1
36	800383	DECAL, READ MANUAL	1
N/S	99918465	WIRE, BLUE	1
N/S	99921332	WIRE, BROWN	1

# PARTS LIST

## 2260 BASE GROUP



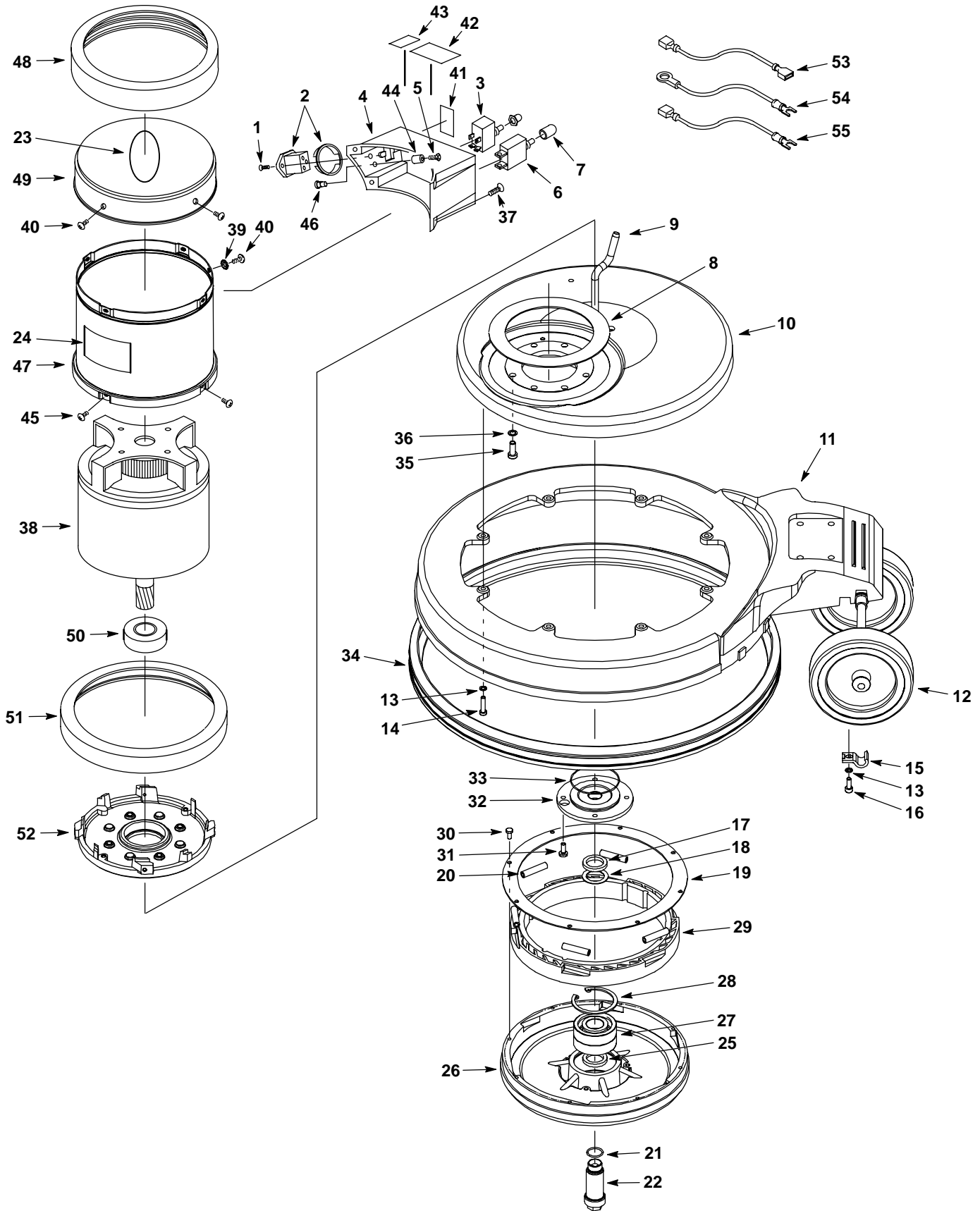
## 2260 BASE GROUP

REF	PART #	DESCRIPTION	QTY.
1	99927026	SCREW	2
2	99926012	●PLUG	1
3	606292	●SWITCH, 20A, 120V	1
4	801471	●HOUSING, CAPACITOR	1
5	99916079	SCREW	2
6	1000209	●CIRCUIT BREAKER, 17A	1
7	99928928	CAP, WATER PROTECTION	1
8	801058	SEAL	1
9	801144	TUBE	1
10	801180	HOUSING	1
11	801466	FRAME	1
12	801059	●WHEEL SET W/ AXLE	1
13	99915640	WASHER, LOCK	9
14	99915199	SCREW	8
15	801138	CLIP	1
16	99922895	SCREW	1
17	801072	RING	1
18	99922381	WASHER, COMPENSATING	1
19	801135	RING	1
20	99916466	SPRING, COMPRESSION	6
21	613072	O-RING	1
22	613071	SHAFT	1
23	800372	DECAL, "TENNANT"	1
24	1000728	DECAL, "2260"	1
25	99916088	●SEAL, SHAFT	1
26	801339	PAD HOLDER	1
27	801311	●BEARING, BALL, DEEP GROOVE	2
28	99916470	RING, RETAINING	1
29	801032	COLLAR	1
30	99946554	SCREW	8

## ● RECOMMENDED STOCK ITEMS

REF	PART #	DESCRIPTION	QTY.
31	801120	SCREW	4
32	801066	FLANGE	1
33	801131	RING	1
34	801076	●BUMPER PROTECTION DEVICE	1
35	99931652	SCREW	4
36	99915678	WASHER, LOCK	4
37	99916710	SCREW, M5X10-5.8 FLAT HEAD	4
38	801474	●MOTOR, 1.5 HP, 1800/3200RPM, 120V	1
	22117	●CARBON BRUSH, REPLACEMENT	4
39	99915166	WASHER, LOCK	1
40	99921724	SCREW, M5X10-5.8, PANPHL	5
41	120675	DECAL, DUAL SPEED	1
42	602597	DECAL, WARNING	1
43	800488	DECAL, HAZARDOUS VOLTAGE	1
44	99923370	SPACER	2
45	99925812	SCREW, M6X10-5.8, PANPHL	4
46	99918446	CAP	2
47	801465	SHROUD, MOTOR	1
48	99918814	●BUMPER, MOTOR	1
49	801464	COVER, TOP, MOTOR	1
50	801089	BEARING	1
51	99916030	●BUMPER, MOTOR	
52	801463	SHIELD, END, MOTOR	1
53	801481	WIRE, BLACK (CIR. BREAKER TO SWITCH)	1
54	801482	WIRE, GREEN (PLUG TO MOTOR HSG)	1
55	801483	WIRE, BLACK (PLUG TO CIR. BREAKER)	1

2270 BASE GROUP



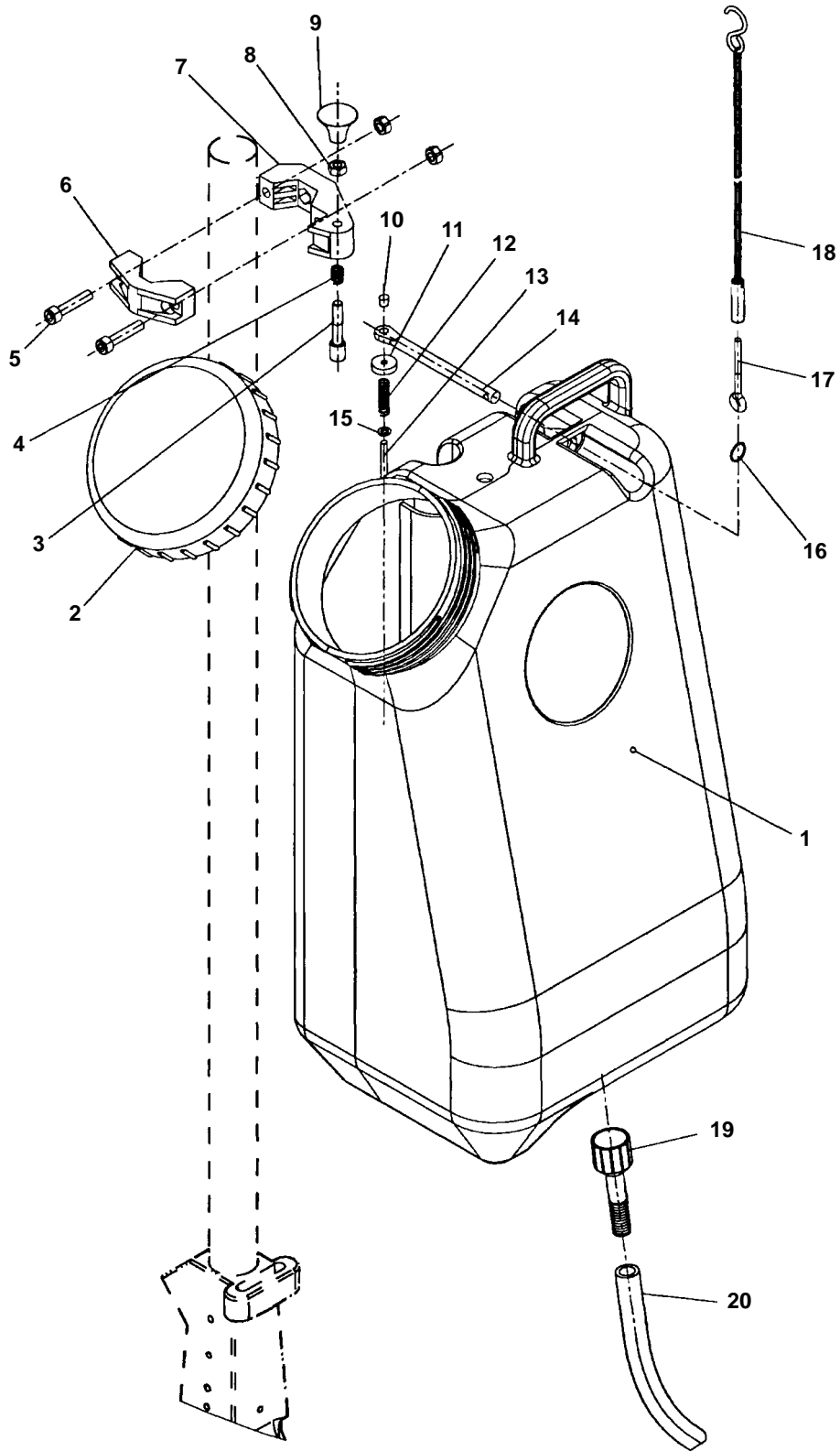
## 2270 BASE GROUP

REF	PART #	DESCRIPTION	QTY.
1	99927026	SCREW	2
2	99926012	●PLUG	1
3	606292	●SWITCH, 20A, 120V	1
4	801471	●HOUSING, CAPACITOR	1
5	99916079	SCREW	2
6	1000209	●CIRCUIT BREAKER, 17A	1
7	99928928	CAP, WATER PROTECTION	1
8	801058	SEAL	1
9	801144	TUBE	1
10	801180	HOUSING	1
11	801462	FRAME	1
12	801059	●WHEEL SET W/ AXLE	1
13	99915640	WASHER, LOCK	9
14	99915199	SCREW	8
15	801138	CLIP	1
16	99922895	SCREW	1
17	801072	RING	1
18	99922381	WASHER, COMPENSATING	1
19	801135	RING	1
20	99916466	SPRING, COMPRESSION	6
21	613072	O-RING	1
22	613071	SHAFT	1
23	800372	DECAL, "TENNANT"	1
24	1000729	DECAL, "2270"	1
25	99916088	●SEAL, SHAFT	1
26	801339	PAD HOLDER	1
27	801311	●BEARING, BALL, DEEP GROOVE	2
28	99916470	RING, RETAINING	1
29	801032	COLLAR	1

## ● RECOMMENDED STOCK ITEMS

REF	PART #	DESCRIPTION	QTY.
30	99946554	SCREW	8
31	801120	SCREW	4
32	801066	FLANGE	1
33	801131	RING	1
34	801145	●BUMPER PROTECTION DEVICE	1
35	99931652	SCREW	4
36	99915678	WASHER, LOCK	4
37	99916710	SCREW	4
38	801474	●MOTOR, 1.5 HP, 1800/3200RPM, 120V	1
	22117	●CARBON BRUSH, REPLACEMENT	4
39	99915166	WASHER, LOCK	1
40	99921724	SCREW	5
41	120675	DECAL, DUAL SPEED	1
42	602597	DECAL, WARNING	1
43	800488	DECAL, HAZARDOUS VOLTAGE	1
44	99923370	SPACER	2
45	99925812	SCREW	4
46	99918446	CAP	2
47	801465	SHROUD, MOTOR	1
48	99918814	●BUMPER, MOTOR	1
49	801464	COVER, TOP, MOTOR	1
50	801089	BEARING	1
51	99916030	●BUMPER, MOTOR	
52	801463	SHIELD, END, MOTOR	1
53	801481	WIRE, BLACK (CIR. BREAKER TO SWITCH)	1
54	801482	WIRE, GREEN (PLUG TO MOTOR HSG)	1
55	801483	WIRE, BLACK (PLUG TO CIR. BREAKER)	1

SOLUTION TANK GROUP



SOLUTION TANK GROUP

REF	PART #	DESCRIPTION	QTY
▽	801167	KIT, SOLUTION TANK	1
▲▽ 1	800480	SOLUTION TANK W/ COVER	1
▲▲ 2	99927951	COVER	1
▲ 3	99924958	BOLT	1
▲ 4	99924954	SPRING, COMPRESSION	1
▲ 5	99921206	SCREW, SHCS	2
▲ 6	99924308	COUNTER CLIP	1
▲ 7	99927957	HOLDER, UPPER	1
▲ 8	99915638	NUT	3
▲ 9	99924964	KNOB	1
▲ 10	99927956	END CAP	1

REF	PART #	DESCRIPTION	QTY
▲ 11	99924464	NUT, KNURLED	1
▲ 12	99927945	SPRING, COMPRESSION	1
▲ 13	99924790	ROD	1
▲ 14	99924972	ROD	1
▲ 15	99920060	WASHER	1
▲ 16	800320	RING	1
▲ 17	99927962	HOOK	1
▲ 18	801239	ASSEMBLY, CHAIN	1
▲ 19	99941446	FITTING	1
▲ 20	801166	HOSE	1

▽ ASSEMBLY

▲ INCLUDED IN ASSEMBLY