



## Electronic Service Manuals

This electronic document is provided as a service to our customers. We do not create the contents of the information contained in this document. Should you have detailed questions pertaining to the information contained in this document, you may contact Michco, or the manufacturer which provided the original information in this electronic deliverable. Michco's only part in this electronic deliverable was the electronic assembly process. By providing this manual on line we are not guaranteeing parts availability.

You may contact Michco through the following methods:

Phone (517) 484-9312 or (800) 331-3339

2011 N. High St. -- Lansing, Michigan -- 48906

Fax: (517) 484-9836

Email: [CustServe@Michco.com](mailto:CustServe@Michco.com)

Web site: [www.Michco.Com](http://www.Michco.Com)

Parts Web site: [www.FloorMachineParts.Com](http://www.FloorMachineParts.Com)

Order Parts on Line at:

**[www.FloorMachineParts.Com](http://www.FloorMachineParts.Com)**

Directly to Parts & Service:

By Email: **[Shop@Michco.com](mailto:Shop@Michco.com)**

By Fax: (517) 702-2041

By Voice: Use numbers above.

**Serving the Cleaning Industry Since 1922**

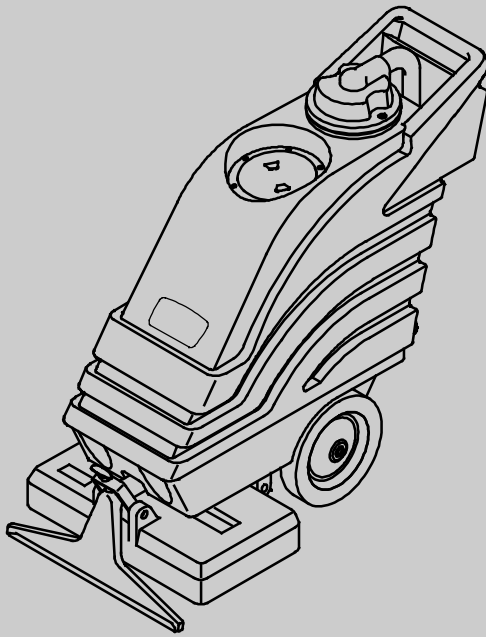
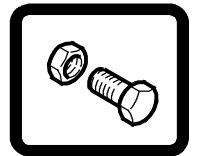
Notice: All copyrighted material remains property of original owners, all trademarks are property of respective owners. Manuals are subject to Manufacturer's reproduction limitations. Originals or reproductions were provided by manufacturers through a request. We make no warranty as to the correctness of information provided in this document and you assume all risk. By placing these manuals on line we are not declaring our corporation to be an manufacturer authorized dealer or provider, please check our web site for authorized manufacturers we represent.



# EX- SC- 3840 EX- SC- 3851

Self-Contained Carpet Extractor

## Parts Manual



Model Part No.:

- 9007351 - EX- SC- 3840 (230V 50Hz)
- 9007654 - EX- SC- 3840 (230V 60Hz)
- 9007819 - EX- SC- 3851 (220V)
- 9007490 - EX- SC- 3851 (240V) EMC



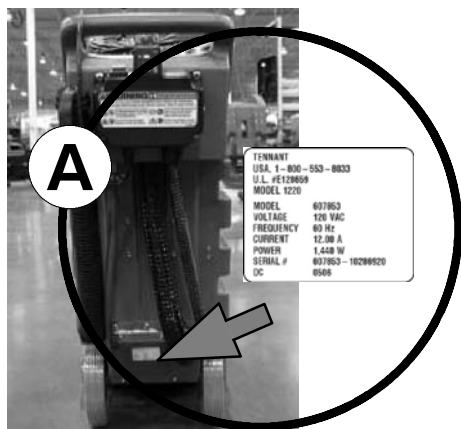
For the latest Parts manuals and other language Operator manuals, visit:

[www.tennantco.com/manuals](http://www.tennantco.com/manuals)

[www.tennantco.com](http://www.tennantco.com)

9007689  
Rev. 02 (03-2014)





TENNANT  
 USA 1-800-553-8033  
 U.L. #E128659  
 MODEL 1220  
 MODEL 807863  
 VOLTAGE 120 VAC  
 FREQUENCY 60 Hz  
 CURRENT 12.00 A  
 POWER 1,440 W  
 SERIAL # 807863-18288520  
 DC 8569

Ref	Part No.	Serial Number	Description	Qty.
1	82681	(000000- )	Bracket Wldt, Lpg Mount	1
∇ 2	63810	(000000- )	Latch Assy, Lpg Tank Mtg, W/Nut	4
▲ 3	51839	(000000- )	Nut Adjustable, Lpg Tank Mtg	2
4	49263	(000000- )	Tie, Cable	3
C	82556	(000000- 001039)	Bracket, Vaporizer	1
	54930	(000000- )	Vaporizer	1

**HOW TO ORDER PARTS - See diagram above**

Only use TENNANT Company supplied or equivalent parts. Parts and supplies may be ordered online, by phone, by fax or by mail.

Follow the steps below to ensure prompt delivery.

1. (A) Identify the machine model.
2. (A) Identify the machine serial number from the data label.
3. (B) Ensure the proper serial number is used from the parts list.
4. Identify the part number and quantity.  
Do not order by page or reference numbers.
5. Provide your name, company name, customer ID number, billing and shipping address, phone number and purchase order number.
6. Provide detail shipping instructions.

- (C) ∇ - identifies an assembly  
 ▲ - identifies parts included in assembly

**Please fill out at time of installation for future reference.**

Model No. - \_\_\_\_\_  
 Serial No. - \_\_\_\_\_  
 Machine Options - \_\_\_\_\_  
 Sales Rep. - \_\_\_\_\_  
 Sales Rep. phone no. - \_\_\_\_\_  
 Customer ID Number - \_\_\_\_\_  
 Installation Date - \_\_\_\_\_

**Tennant Company**  
 PO Box 1452  
 Minneapolis, MN 55440  
 Phone: (800) 553- 8033 or (763) 513- 2850  
 www.tennantco.com

Specifications and parts are subject to change without notice.

Copyright © 2010, 2014 TENNANT Company, Printed in U.S.A.

<b>CN</b>	<p><b>如何订购部件 - 参见下表</b></p> <p>仅使用 TENNANT 公司提供的或同等部件。部件和供应可以在线订购，通过电话、传真或邮件订购。请遵循下面的步骤确保及时交付。</p> <ol style="list-style-type: none"> <li>1. <b>(A)</b> 确定机器型号。</li> <li>2. <b>(B)</b> 从数据标签确定机器序列号。</li> <li>3. <b>(C)</b> 确保使用部件列表中的正确序列号。</li> <li>4. 确定部件号和数量。 不要按页面或参考编号订购。</li> <li>5. 提供您的姓名、公司名称、客户 ID 号、付帐和送货地址、电话号码和采购单编号。</li> <li>6. 提供详细的送货说明。</li> </ol> <hr/> <p><b>(D)</b> ▽ - 确定组件 ▲ - 确定组件中包含的组件</p>	<p><b>请在安装时填写供未来参考。</b></p> <p>型号 - _____</p> <p>序列号 - _____</p> <p>机器选项 - _____</p> <p>销售代表 - _____</p> <p>销售代表电话号码 - _____</p> <p>客户 ID 编号 - _____</p> <p>安装日期 - _____</p>
-----------	--	--

<b>ES</b>	<p><b>CÓMO SOLICITAR PIEZAS - Consulte el diagrama anterior.</b></p> <p>Utilice sólo las piezas suministradas por TENNANT Company o piezas equivalentes. Puede solicitar las piezas a través de internet, por teléfono, por fax o por correo.</p> <p>Siga los siguientes pasos para que la entrega sea rápida.</p> <ol style="list-style-type: none"> <li>1. <b>(A)</b> Indique el modelo de máquina.</li> <li>2. <b>(B)</b> Indique el número de serie de la etiqueta de datos.</li> <li>3. <b>(C)</b> Asegúrese de que indica el número de serie correcto de la lista de piezas.</li> <li>4. Indique la cantidad y el número de la pieza. No realice el pedido indicando el número de página o el de referencia.</li> <li>5. Incluya su nombre, el nombre de la empresa, el ID de cliente, las direcciones de envío y facturación, el número de teléfono y el número del pedido de compra.</li> <li>6. Facilite instrucciones de envío.</li> </ol> <hr/> <p><b>(D)</b> ▽ - identifica un conjunto ▲ - identifica piezas de un conjunto</p>	<p><b>Rellene estos datos cuando realice la instalación para utilizarlos como referencia en el futuro.</b></p> <p>Nº modelo - _____</p> <p>Nº serie - _____</p> <p>Opciones de la máquina - _____</p> <p>Vendedor - _____</p> <p>Nº teléfono vendedor - _____</p> <p>Nº cliente - _____</p> <p>Fecha de instalación - _____</p>
-----------	--	---

<b>FR</b>	<p><b>COMMENT COMMANDER DES PIÈCES DÉTACHÉES - Voir le schéma ci-dessus.</b></p> <p>Utilisez uniquement des pièces fournies par la société TENNANT ou équivalentes. Les pièces et fournitures peuvent être commandées en ligne, par téléphone, fax, ou par courrier.</p> <p>Suivez les étapes ci-dessous pour assurer une livraison rapide.</p> <ol style="list-style-type: none"> <li>1. <b>(A)</b> Identifiez le modèle de la machine.</li> <li>2. <b>(B)</b> Identifiez le numéro de série de la machine, à partir de l'étiquette signalétique.</li> <li>3. <b>(C)</b> Assurez-vous que le numéro de série correct est utilisé à partir de la liste de pièces détachées.</li> <li>4. Identifiez le numéro de pièce et la quantité. Ne commandez pas par page ou numéros de référence.</li> <li>5. Fournissez votre nom, le nom de votre société, votre numéro d'identification de client, l'adresse de facturation et d'expédition, le numéro de téléphone et le numéro du bon de commande.</li> <li>6. Fournissez des instructions d'expédition détaillées.</li> </ol> <hr/> <p><b>(D)</b> ▽ - identifie un assemblage ▲ - identifie les pièces composant l'assemblage</p>	<p><b>A remplir au moment de l'installation à titre de référence.</b></p> <p>Nº du modèle - _____</p> <p>Nº de série - _____</p> <p>Options de la machine - _____</p> <p>Agent commercial - _____</p> <p>Nº tél. de l'agent commercial - _____</p> <p>Numéro d'identification client - _____</p> <p>Date d'installation - _____</p>
-----------	--	---

<b>JP</b>	<p><b>パーツの発注方法 ? 上記の図を参照してください</b></p> <p>TENNANT社製のパーツまたは同等品のみをお使いください。パーツやサプライ品のご注文は、オンライン、電話、FAX、または手紙でお願いいたします。確実にお届けできるように、以下の情報お知らせください。</p> <ol style="list-style-type: none"> <li>1. <b>(A)</b> 製品のモデル名をお知らせください。</li> <li>2. <b>(B)</b> 製品のデータラベルに印刷されているシリアル番号をお知らせください。</li> <li>3. <b>(G)</b> パーツリストを参照して、シリアル番号が正しいかご確認ください。</li> <li>4. パーツ番号と数量をお知らせください。マニュアル/カタログのページ番号や参照番号でのご注文はご遠慮ください。</li> <li>5. お客様のお名前、会社名、顧客ID番号、請求/発送先住所、電話番号、注文書番号をお知らせください。</li> <li>6. 発送に関するご希望があれば、明記してください。</li> </ol> <hr/> <p><b>(D)</b> ▽ - アセンブリを示します ▲ - アセンブリに含まれるパーツを示します</p>	<p><b>後日確認できるように、設置時に記入してください。</b></p> <p>モデルNo. - _____</p> <p>シリアルNo. - _____</p> <p>製品のオプション - _____</p> <p>販売代理店 - _____</p> <p>販売代理店の電話番号 - _____</p> <p>顧客ID番号 - _____</p> <p>設置日 - _____</p>
-----------	---	---



**STANDARD PARTS**

GENERAL RECOMMENDED MAINTENANCE  
ITEMS ..... 6

RECOVERY TANK GROUP ..... 8

CHASSIS GROUP - 1 of 2 ..... 10

CHASSIS GROUP - 2 of 2 ..... 12

CONTROL CONSOLE GROUP (220V/230V) ... 14

CONTROL CONSOLE GROUP (240V EMC) ... 16

BRUSH HOUSING GROUP - 1 of 2 ..... 18

BRUSH HOUSING GROUP - 2 of 2 ..... 20

BRUSH BREAKDOWN ..... 22

PUMP BREAKDOWN ..... 24

WIRING DIAGRAM, 220V/230V/240V ..... 25

LADDER DIAGRAM, 240V EMC ..... 26

**OPTIONS**

HAND TOOL, 5 in (127 mm) ..... 27

CREVICE TOOL, 3 in (76 mm) ..... 28

UPHOLSTERY TOOL, LOW PRESSURE ..... 29

FLOOR TOOL, LOW PRESSURE 13 in  
(330 mm) ..... 30

FLOOR TOOL, LOW PRESSURE 16 in  
(406 mm) ..... 32

HOSES, LOW PRESSURE SOLUTION AND  
VACUUM ..... 34

PUMP- UP CARPET SPRAYER ..... 35

# GENERAL RECOMMENDED MAINTENANCE

## GENERAL RECOMMENDED MAINTENANCE ITEMS

Ref.	Part No.	Serial Number	Description	Qty.
	100103	(00000000-	) Cover Assy, Clr [W/ Countersunk Holes]	1
	180613	(00000000-	) Float, Shutoff, 1- Ball, 2.00d	1
	100042	(00000000-	) Gasket, Dome, Recvy Tank	1
▽	1007072	(00000000-	) Hose Assy, Drain, 1.50id X 21.9l, Blk	1
▲▽	1008639	(00000000-	) Cap, Drain Assy	1
▲▲	1008637	(00000000-	) Seal, Org, 1.48id 1.76od	1
▲▲	1019563	(00000000-	) Strap, Cap, Drain	1
	130250	(00000000-	) Cord, Power, 16/3, 50ft Yel [Sjt]	1
▽	130403	(00000000-	) Fan, Vacuum, 5.7d, 240vac, 2 Stage	1
▲	190158	(00000000-	) Brush, Carbon [130403, 1pick=1pkg] (1Pkg = 2Brushes)	1
	100038	(00000000-	) Gasket, .50, 02.63id 05.75od, Adh [Epdm]	1
	180628	(00000000-	) Filter, Screen, 100mesh, Ss, Pf04	1
	103068	(00000000-	) Wheel, 10.0d 1.78w, 0.50b, Gray Hub/Tread	2
	240194	(00000000-	) Knob, Tee 0.31- 18 Fem Thrd, Blk	1
	200956	(00000000-	) Plate, Floor, 16.00, Ss [Shoe]	2
	200825	(00000000-	) Plate, Floor, 20.00, Ss [Shoe]	2
	100006	(00000000-	) Gasket, 16.0inch, Base Plt [Power Brush]	2
	1027687	(00000000-	) Gasket, 20.0inch, Base Plt [Power Brush]	2
▽	700424	(00000000-	) Bar Assy, Spray, 16inch [Twistout L20]	1
▲▽	201010	(00000000-	) Fitting, Brs, Jet [.125 Q- Jet]	4
▲▲	201012	(00000000-	) Fitting, Brs, Tip, F/201010 [8002]	4
▲▲	201015	(00000000-	) Seal, Nozzle, Spray	4
▽	701171	(00000000-	) Bar Assy, Spray, 20inch [Twistout L20]	1
▲▽	201011	(00000000-	) Fitting, Brs, Jet [.125 Q- Jet]	5
▲▲	201013	(00000000-	) Fitting, Brs, Tip, F/201011 [80015]	5
▲▲	201015	(00000000-	) Seal, Nozzle, Spray	5

▽ ASSEMBLY

▲ INCLUDED IN ASSEMBLY

# GENERAL RECOMMENDED MAINTENANCE

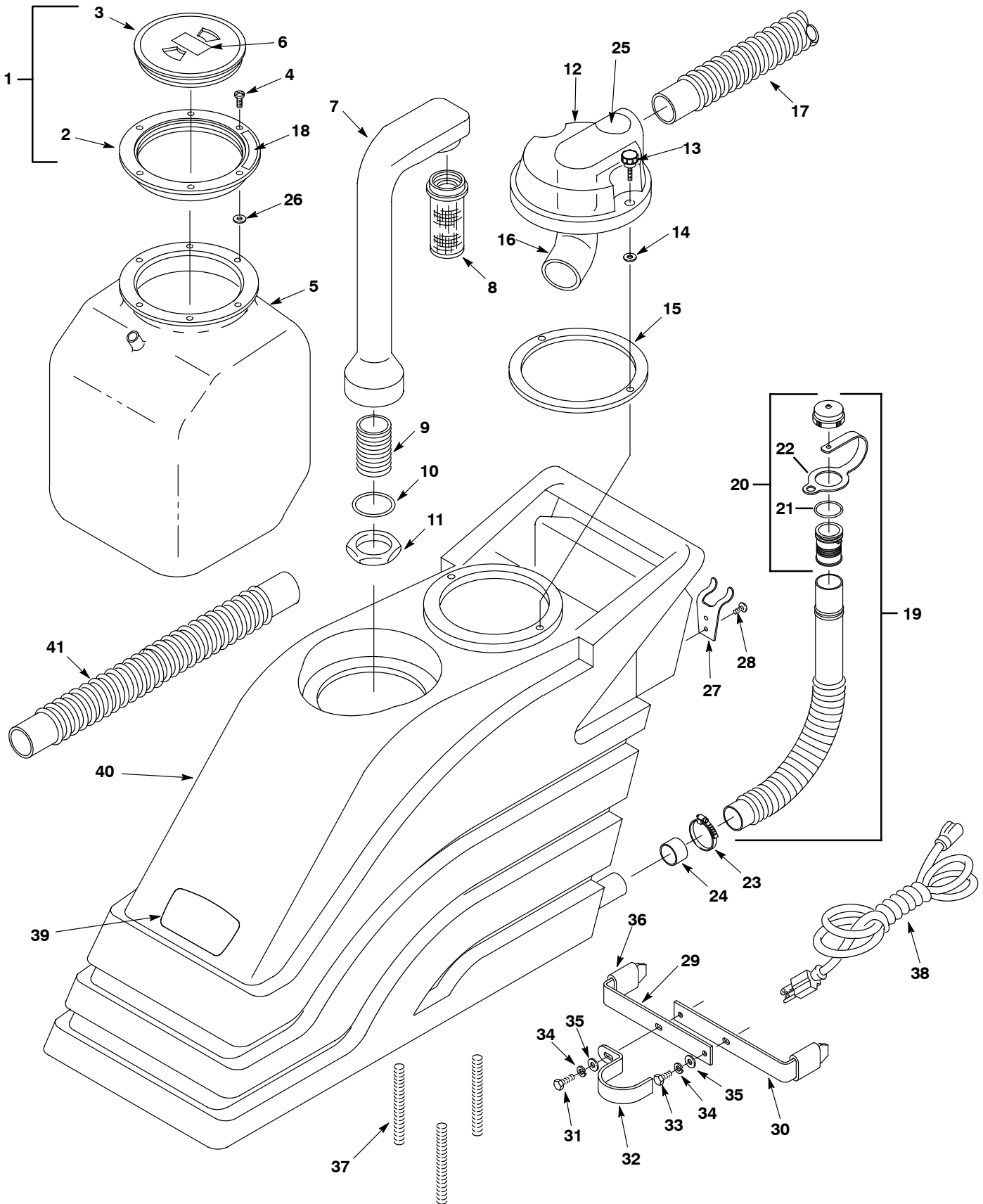
## GENERAL RECOMMENDED MAINTENANCE ITEMS

Ref.	Part No.	Serial Number	Description	Qty.
	230507	(00000000-	) Belt, Synchronous, 0.38 0.20p 18.0l	1
	230506	(00000000-	) Pulley, Drive, 15tooth X .31b [1/5p]	1
▽	130472	(00000000-	) Motor, Ele, 220vac, Brush Drive	1
▲	190154	(00000000-	) Brush Card 240v 130472 Dumore	2
▽	1072552	(10652830-	) Motor, Brush, 230vac [Emc]	1
▲	9011647	(10652830-	) Vr, Brush Kit, Motor 1072552 (1Pkg = 2Brushes)	1
▽	575729	(00000000- 10652829	) Motor, Brush, 230vac [843p- 5] (Replaced by 1072552)	1
▲	575782	(00000000- 10652829	) Brush, Carbon, F/575729 [1 Pc]	2
▽	700212	(00000000-	) Brush Assy, 16.0	1
▲	230505	(00000000-	) Pulley, Drive, 26tooth X .31b [1/5p]	1
▲	100005	(00000000-	) Gasket, Block, Brg	1
▲	140125	(00000000-	) Bearing, Brush, 0.32b 0.87d 0.28w	2
▲	100049	(00000000-	) Seal, Brush, Brg	2
▲	240004	(00000000-	) Brush, Cylrcl, 16.0d	1
▽	700094	(00000000-	) Brush Assy, 20.0	1
▲	230505	(00000000-	) Pulley, Drive, 26tooth X .31b [1/5p]	1
▲	100005	(00000000-	) Gasket, Block, Brg	1
▲	140125	(00000000-	) Bearing, Brush, 0.32b 0.87d 0.28w	2
▲	100049	(00000000-	) Seal, Brush, Brg	2
▲	240050	(00000000-	) Brush, Cylrcl, 20.0d	1

▽ ASSEMBLY

▲ INCLUDED IN ASSEMBLY

RECOVERY TANK GROUP



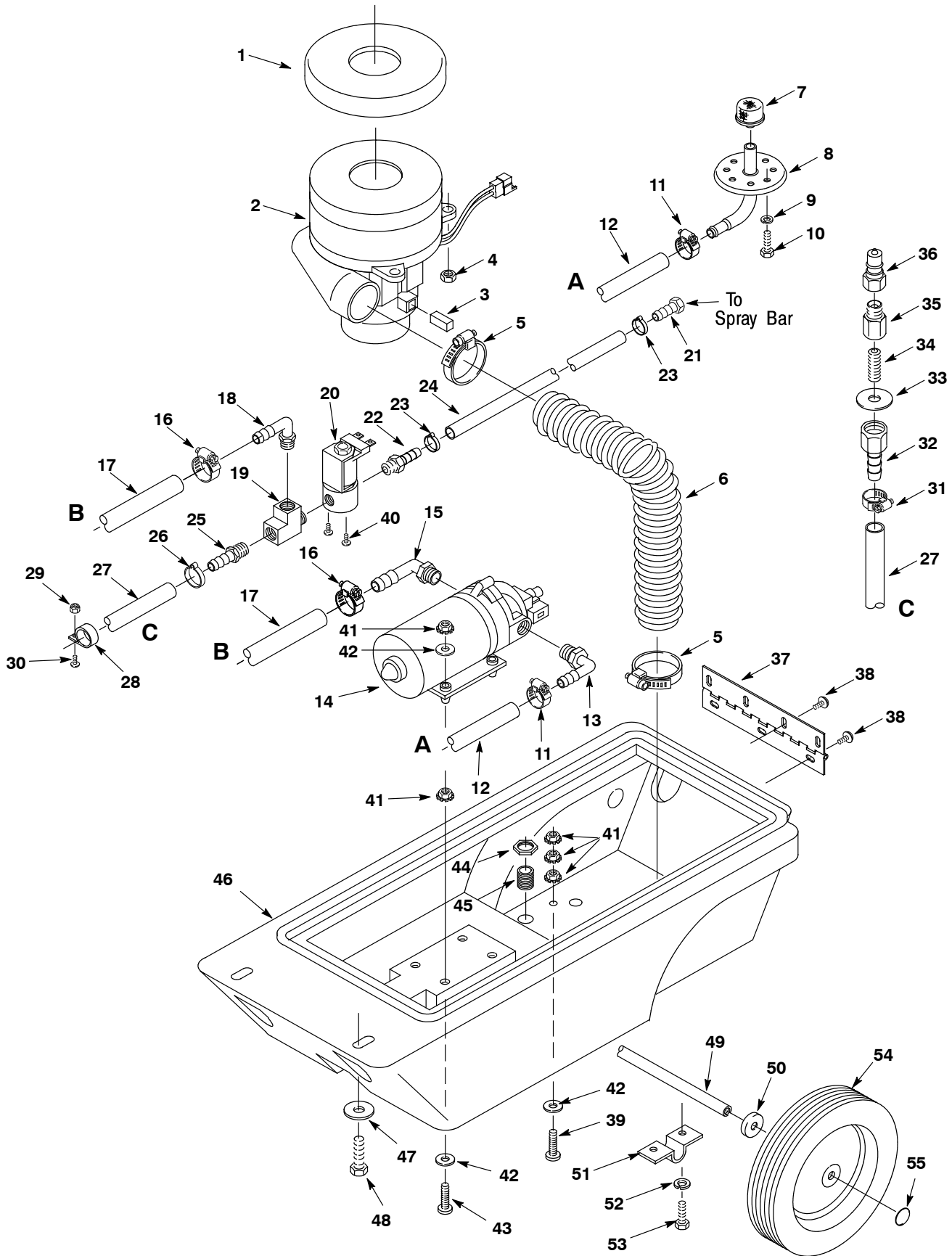
## RECOVERY TANK GROUP

Ref.	Part No.	Serial Number	Description	Qty.
▽	1	100103	(00000000- ) Cover Assy, Clr [W/ Countersunk Holes]	1
▲	2	600812	(00000000- ) Ring, Outer, Lid	1
▲	3	100105	(00000000- ) Vr, Cover, Lid, Clr Cntr	1
	4	140900	(00000000- ) Screw, Trs, Phl, 10- 24 X 0.75, Ss	6
	5	1006364	(00000000- ) Tank, Flexible, 10gal [Bladder]	1
	6	120906	(00000000- ) Label, Warning [Important- Drain]	1
	7	602448	(00000000- ) Pipe, Standpipe, W/ Nipple [L20]	1
	8	180613	(00000000- ) Float, Shutoff, 1- Ball, 2.00d	1
	9	606088	(00000000- ) Fitting, Plstc, Str,Pm24/Pm24[Nipl Cpvc]	1
	10	230159	(00000000- ) Seal, Org, Standpipe	1
	11	210240	(00000000- ) Nut, Hex, Flng, Pf24, Metal	1
▽		602497	(00000000- ) Cover, Dome, W/ Elbow[8&10gal, L20, Tnv]	1
▲	12	100112	(00000000- ) Cover, Dome, Vacuum, Clr	1
▲	13	240217	(00000000- ) Knob, Rnd, 0.75d 1.25l .25- 20, Plstc, Ss	2
▲	14	140037	(00000000- ) Washer, Flat, 0.22b 0.44d .03, Nyl	2
▲	15	100042	(00000000- ) Gasket, Dome, Recvy Tank	1
▲	16	230834	(00000000- ) Fitting, Pvc, E45, 1.50d / 1.50d	1
	17	160464	(00000000- ) Hose, Vacuum, 1.50id X 053.0l, 2cuff,Blk	1
	18	120907	(00000000- ) Label, Warning [Important- Always Close]	1
▽	19	1007072	(00000000- ) Hose Assy, Drain, 1.50id X 21.9l, Blk	1
▲▽	20	1008639	(00000000- ) Cap, Drain Assy	1
▲▲	21	1008637	(00000000- ) Seal, Org, 1.48id 1.76od	1
▲▲	22	1019563	(00000000- ) Strap, Cap, Drain	1
	23	11531	(00000000- ) Clamp, Hose, Wormdrive, 1.06- 2.00d, .56w	1
	24	1009610	(00000000- ) Sleeve, Rbr, 1.25b 1.50d 1.0l	1
	25	120399	(00000000- ) Label, Warning[Do Not Allow Foam, Txtls]	1
	26	140000	(00000000- ) Washer, Flat, 0.28b 0.62d .04, Ss	6
	27	611978	(00000000- ) Bracket, Hanger, Drain Hose	1
	28	140826	(00000000- ) Screw, Pan, Phl, 06- 20 X 0.75, Fmg/Ab,Ss	2
	29	230844	(00000000- ) Bracket, Brace, Tank, W/ Hole	1
	30	230843	(00000000- ) Bracket, Brace, Tank, W/ Thrd	1
	31	01697	(00000000- ) Screw, Hex, .25- 20 X 0.62, Ss	1
	32	230955	(00000000- ) Clamp, Brace, Tank	1
	33	01696	(00000000- ) Screw, Hex, .25- 20 X 0.50, Ss	1
	34	140016	(00000000- ) Washer, Lock, Split, 0.25, Ss	2
	35	140000	(00000000- ) Washer, Flat, 0.28b 0.62d .04, Ss	2
	36	102569	(00000000- ) Grip, Handle, Foam, Blk .75id X 4.25l	1
	37	140227	(00000000- ) Screw, Stud, .25- 20 X 5.00	3
	38	130250	(00000000- ) Cord, Power, 16/3, 50ft Yel [Sjt]	1
	39	1060462	(00000000- ) Label, Logo, 05.0l Wht/TI [Tennant]	1
	40	1033135	(00000000- ) Tank, Recvy, Rm- Cphg, Afmkt [10Gal, Ex- 10]	1
	41	160424	(00000000- ) Hose, Vacuum, 1.50id X 036.0l, 2cuff	1

▽ ASSEMBLY

▲ INCLUDED IN ASSEMBLY

CHASSIS GROUP - 1 of 2



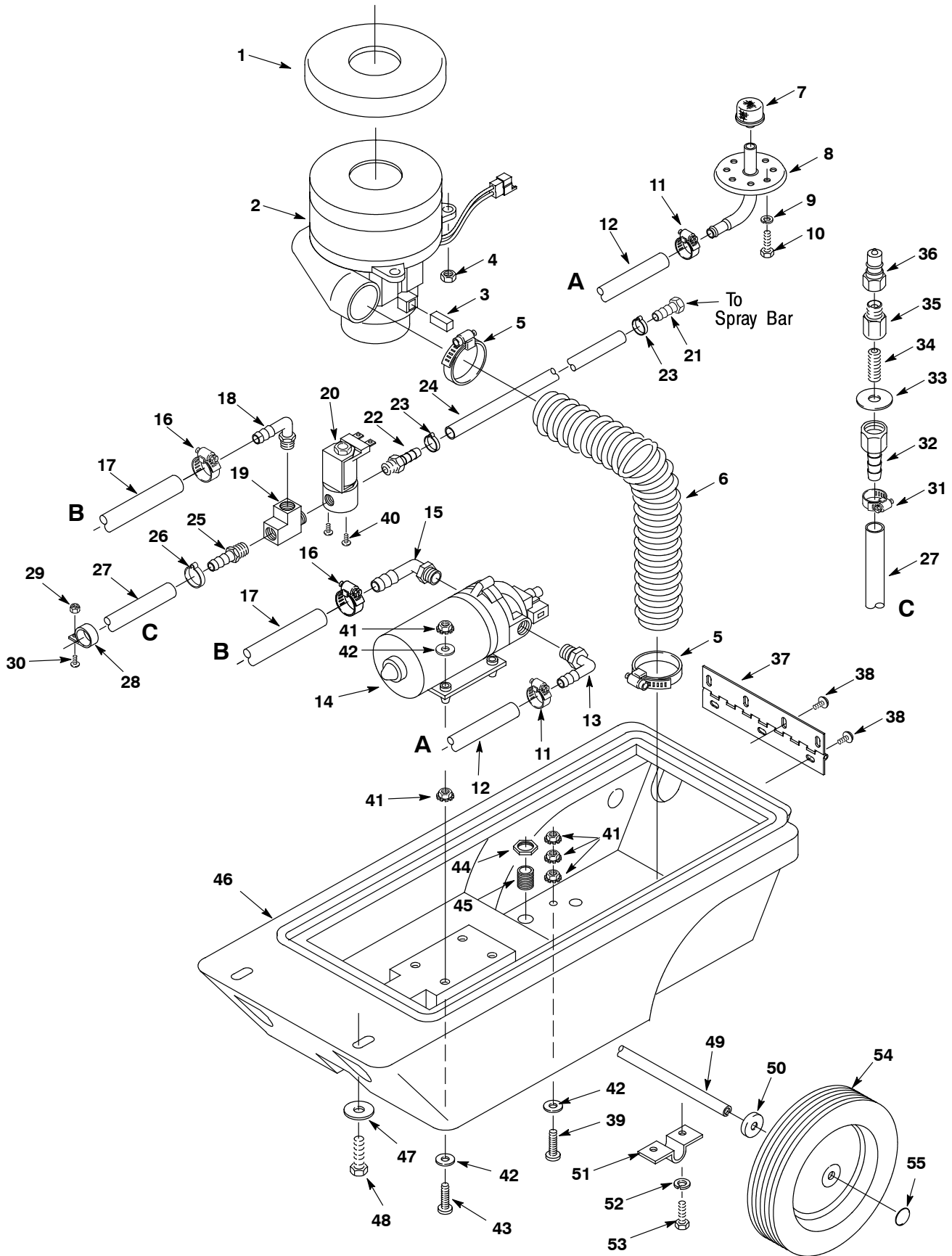
## CHASSIS GROUP - 1 of 2

Ref.	Part No.	Serial Number	Description	Qty.
	1	100038	(00000000- ) Gasket, .50, 02.63id 05.75od, Adh [Epdm]	1
▽	2	130403	(00000000- ) Fan, Vacuum, 5.7d, 240vac, 2 Stage	1
▲	3	190158	(00000000- ) Brush, Carbon [130403, 1pick=1pkg] (1Pkg = 2Brushes)	1
▲		130487	(00000000- ) Housing, Motor, Fan, Vent	1
	4	41169	(00000000- ) Nut, Hex, Lock, .25- 20, NI, Ss	4
	5	140308	(00000000- ) Clamp, Hose, Wormdrive, 1.31- 2.25d, Ss	2
	6	1022164	(00000000- ) Hose, Vacuum, 2.00id X 026.0l, Blk	1
	7	180628	(00000000- ) Filter, Screen, 100mesh, Ss, Pf04	1
	8	600451	(00000000- ) Fitting Assy, Plate [Bladder 8&10 Gal]	1
	9	140016	(00000000- ) Washer, Lock, Split, 0.25, Ss	4
	10	01697	(00000000- ) Screw, Hex, .25- 20 X 0.62, Ss	4
	11	54333	(00000000- ) Clamp, Hose, Wormdrive, 0.31- 0.88d, .31w	2
	12	606245	(00000000- ) Hose, Pvc, Brd, 0.38id 0.62od 31.0l, Gray	1
	13	150412	(00000000- ) Fitting, Plstc, E90, Bm06/Pm06	1
	14	180109	(00000000- ) Pump, Soltn, Ele, 230vac, 100psi	1
	15	150425	(00000000- ) Fitting, Plstc, E90, Bm08/Pm06, Nyl	1
	16	63810	(00000000- ) Clamp, Hose, Wormdrive, 0.56- 1.06d, .56w	2
	17	607705	(00000000- ) Hose, Rbr, Dbl, 0.50id 0.75od 24.0l, Red	1
▽		700441	(00000000- ) Asm Valve Solenoid 220v 50hz (230V/50HZ)	1
▲	18	150415	(00000000- ) Fitting, Plstc, E90, Bm06/Pm04	1
▲	19	150709	(00000000- ) Fitting, Brs, Tee, Pm04/Pf04/Pf04, Run	1
▲	20	210036	(00000000- ) Solenoid, 220vac [50h 1/8o] (230V/50HZ)	1
▲	21	150526	(00000000- ) Fitting, Brs, Str, Bm04/Jf04	1
▲	22	150515	(00000000- ) Fitting, Brs, Str, Bm04/Pm04 [Taped]	1
▲	23	140325	(00000000- ) Clamp, Hose, Ear, 0.50d, Ss	2
▲	24	606244	(00000000- ) Hose, Pvc, Brd, 0.25id 0.50od 16.0l, Gray	1
▲	25	150517	(00000000- ) Fitting, Brs, Str, Bm08/Pm04 [Taped]	1
▲	26	140301	(00000000- ) Clamp, Hose, Ear, 0.62d	1
▲	27	606246	(00000000- ) Hose, Pvc, Brd, 0.38id 0.62od 52.0l, Gray	1
▽		604234	(00000000- ) Asm Solenoid J801- 5 220v 60hz (220V/230V/60HZ)	1
▲	18	150415	(00000000- ) Fitting, Plstc, E90, Bm06/Pm04	1
▲	19	150709	(00000000- ) Fitting, Brs, Tee, Pm04/Pf04/Pf04, Run	1
▲	20	604073	(00000000- ) Valve, Solenoid, 220vac 60hz (220V/230V/60HZ)	1
▲	21	150526	(00000000- ) Fitting, Brs, Str, Bm04/Jf04	1
▲	22	150515	(00000000- ) Fitting, Brs, Str, Bm04/Pm04 [Taped]	1
▲	23	140325	(00000000- ) Clamp, Hose, Ear, 0.50d, Ss	2
▲	24	606244	(00000000- ) Hose, Pvc, Brd, 0.25id 0.50od 16.0l, Gray	1
▲	25	150517	(00000000- ) Fitting, Brs, Str, Bm08/Pm04 [Taped]	1
▲	26	140301	(00000000- ) Clamp, Hose, Ear, 0.62d	1
▲	27	606246	(00000000- ) Hose, Pvc, Brd, 0.38id 0.62od 52.0l, Gray	1

▽ ASSEMBLY

▲ INCLUDED IN ASSEMBLY

CHASSIS GROUP - 2 of 2



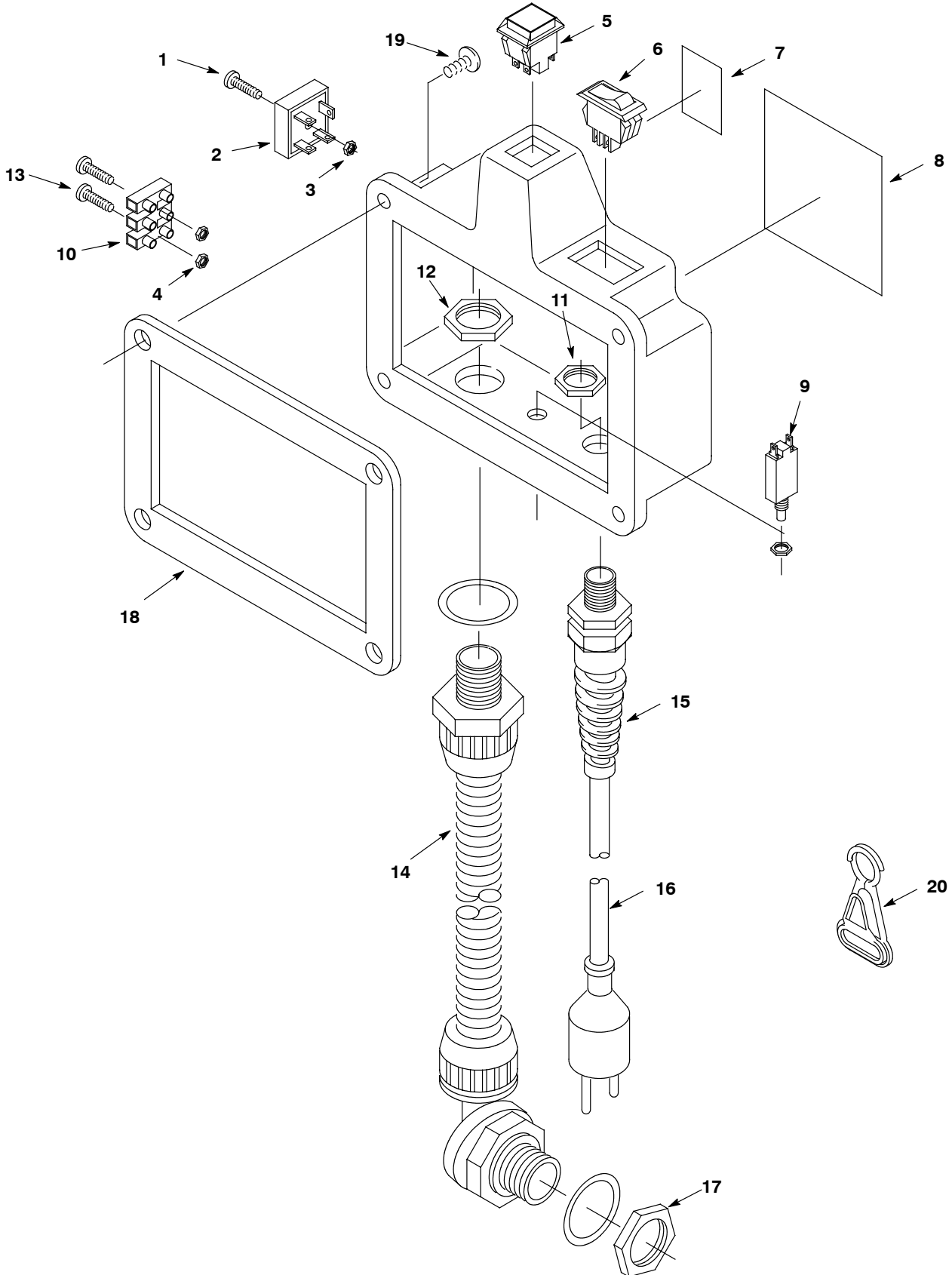
## CHASSIS GROUP - 2 of 2

Ref.	Part No.	Serial Number	Description	Qty.
▽	700494	(00000000-	) Asm Solenoid Aus800 240v (240V EMC)	1
▲	18 150415	(00000000-	) Fitting, Plstc, E90, Bm06/Pm04	1
▲	19 150709	(00000000-	) Fitting, Brs, Tee, Pm04/Pf04/Pf04, Run	1
▲	20 210260	(00000000-	) Valve, Solenoid, 240vac 50hz [Aus] (240V EMC)	1
▲	21 150526	(00000000-	) Fitting, Brs, Str, Bm04/Jf04	1
▲	22 150515	(00000000-	) Fitting, Brs, Str, Bm04/Pm04 [Taped]	1
▲	23 140325	(00000000-	) Clamp, Hose, Ear, 0.50d, Ss	2
▲	24 606244	(00000000-	) Hose, Pvc, Brd, 0.25id 0.50od 16.0l, Gray	1
▲	25 150517	(00000000-	) Fitting, Brs, Str, Bm08/Pm04 [Taped]	1
▲	26 140301	(00000000-	) Clamp, Hose, Ear, 0.62d	1
▲	27 606246	(00000000-	) Hose, Pvc, Brd, 0.38id 0.62od 52.0l, Gray	1
	28 140916	(00000000-	) Clamp, Cable, Nyl, 0.62d, Nat	1
	29 140552	(00000000-	) Nut, Hex, Lock, #10- 24, NI, Ss	3
	30 140823	(00000000-	) Screw, Trs, Phl, 10- 24 X 0.62, Ss	1
	31 54333	(00000000-	) Clamp, Hose, Wormdrive, 0.31- 0.88d, .31w	1
	32 150511	(00000000-	) Fitting, Brs, Str, Bm06/Pf04	1
	33 140008	(00000000-	) Washer, Flat, 0.57b 1.28d .08, Ss	1
	34 150600	(00000000-	) Fitting, Brs, Nipple, Pm04 X 2.0 [Taped]	1
	35 150000	(00000000-	) Fitting, Brs, Str, Pf04/Pm04 [Taped]	1
	36 150933	(00000000-	) Fitting, Brs, Qdc, Pm04 [Ser60]	1
	37 230390	(00000000-	) Hinge, .19pin .06 2.0w 08.8l, Yel PI	1
	38 140885	(00000000-	) Screw, Trs, .25- 20 X 0.50, Phl, Ss	7
	39 140804	(00000000-	) Screw, Rnd, Phl, 10- 24 X 1.00, Ss	1
	40 140801	(00000000-	) Screw, Trs, Phl, 08- 32 X 0.38, Ss	2
	41 140519	(00000000-	) Nut, Hex, Lock, #10- 24, Kep, Ss	11
	42 140011	(00000000-	) Washer, Flat, 0.21b 0.45d .03, Ss	7
	43 1014262	(00000000-	) Screw, Pan, Phl, 10- 24 X 1.50, Ss	4
	44 140504	(00000000-	) Nut, Lock, Conduit, Pm08	1
	45 130181	(00000000-	) Grip, Cord, Strainrelief, .50npt	1
	46 9007680	(00000000-	) Chassis, Rm- Blk, Afmkt [Ex- Sc- 1020]	1
	47 140028	(00000000-	) Washer, Flat, 0.42b 1.00d .05, Ss	2
	48 69225	(00000000-	) Screw, Hex, .38- 16 X 1.00, Ss	2
	49 230739	(00000000-	) Axle, Wheel .5d X 13.13	1
	50 140008	(00000000-	) Washer, Flat, 0.57b 1.28d .08, Ss	2
	51 230746	(00000000-	) Bracket, Axle, .5d, Offset	2
	52 140016	(00000000-	) Washer, Lock, Split, 0.25, Ss	4
	53 01697	(00000000-	) Screw, Hex, .25- 20 X 0.62, Ss	4
	54 103068	(00000000-	) Wheel, 10.0d 1.78w, 0.50b, Gray Hub/Tread	2
	55 103019	(00000000-	) Nut, Retainer, 0.50d 0.29l, Ss	2

▽ ASSEMBLY

▲ INCLUDED IN ASSEMBLY

CONTROL CONSOLE GROUP (220V/230V)



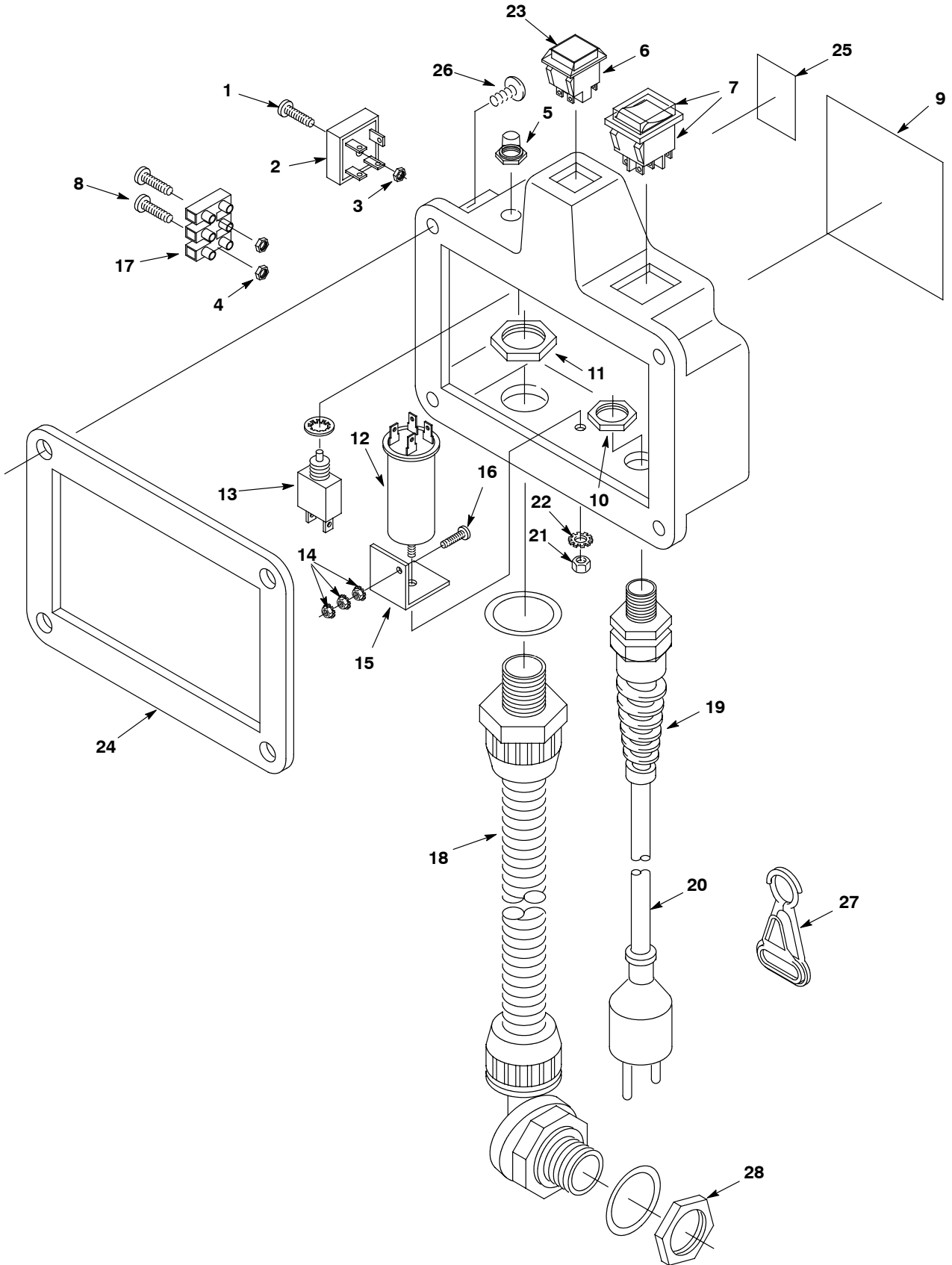
## CONTROL CONSOLE GROUP (220V/230V)

	Ref.	Part No.	Serial Number	Description	Qty.
▽		609927	(00000000-	) Box Assy, Switch, 230vac, Blk	1
▲	1	140335	(00000000-	) Screw, Rnd, Slt, 10- 24 X 1.00, Nyl	1
▲	2	130304	(00000000-	) Rectifier, Bridge, 600v, 15a	1
▲	3	140336	(00000000-	) Nut, Hex, #10- 24, Nyl	1
▲	4	140534	(00000000-	) Nut, Hex, #06- 32, Nyl	2
▲	5	130716	(00000000-	) Switch, Push, Dpdt W/ Lens	1
▲	6	1044804	(00000000-	) Switch, Rocker, Dpst, On- Off, W/ Cover	1
▲	7	603829	(00000000-	) Label, Instr, Clean On- Off [Kema]	1
▲	8	1026384	(00000000-	) Label, Warning [Expl,Fire,Shk En/Fr/Es]	1
▲	9	130747	(00000000-	) Circuitbreaker, 01.2a [Eta]	1
▲	10	130005	(00000000-	) Terminal, 25a, 3 Position Strip	1
▲	11	140549	(00000000-	) Nut, Hex, Pf06 [Conduit]	1
▲	12	140504	(00000000-	) Nut, Lock, Conduit, Pm08	1
▲	13	140879	(00000000-	) Screw, Rnd, Slt, 06- 32 X 0.75, Nyl	2
▲	14	130977	(00000000-	) Harness	1
▲	15	130137	(00000000-	) Grip, Cord, .38 Npt Nyl [Liq Tight]	1
▲	16	600398	(00000000-	) Cord, Power, 1.0mm2/3 Blk [12meter Euro]	1
	17	140638	(00000000-	) Nut, Hex, Pf08, Blk Nyl [Conduit]	1
	18	603041	(00000000-	) Gasket, Box, Switch, Neo	1
	19	140885	(00000000-	) Screw, Trs, .25- 20 X 0.50, Phl, Ss	4
	20	130176	(00000000-	) Clip, Cord, Strainrelief [Belt]	1

▽ ASSEMBLY

▲ INCLUDED IN ASSEMBLY

CONTROL CONSOLE GROUP (240V EMC)



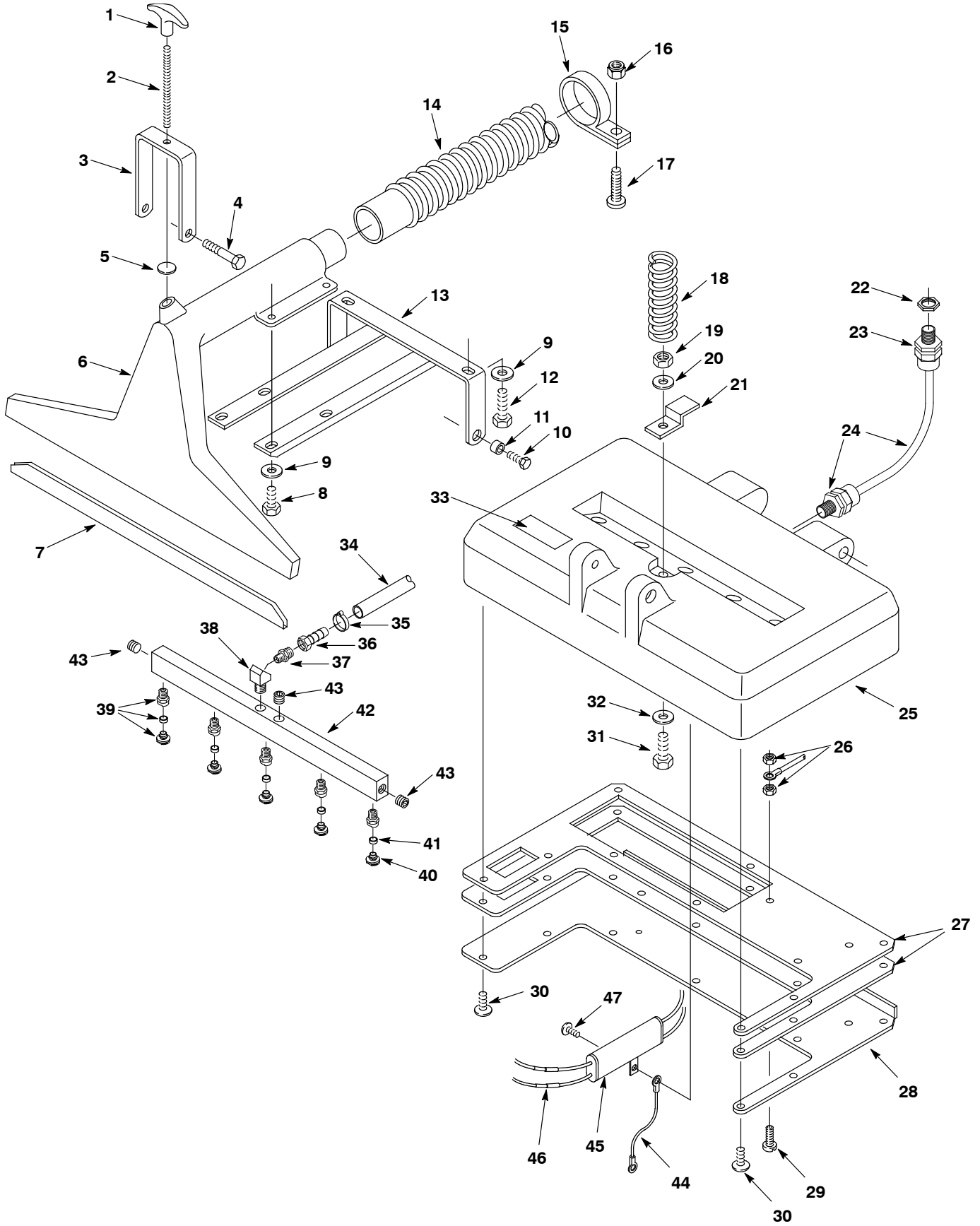
## CONTROL CONSOLE GROUP (240V EMC)

Ref.	Part No.	Serial Number	Description	Qty.
▽	609933	(00000000-	) Box Assy, Switch, 230vac, Blk [Kema]	1
▲	1 140335	(00000000-	) Screw, Rnd, Slt, 10- 24 X 1.00, Nyl	1
▲	2 130304	(00000000-	) Rectifier, Bridge, 600v, 15a	1
▲	3 140336	(00000000-	) Nut, Hex, #10- 24, Nyl	1
▲	4 140534	(00000000-	) Nut, Hex, #06- 32, Nyl	2
▲	5 578734	(00000000-	) Seal, Splash, Circuitbreaker	1
▲	6 1073692	(00000000-	) Switch, Push, Dpst, Mom (Does Not Include Boot - Also Need to Order #130765)	1
▲	6 603410	(00000000-	) Switch, Dpst, Mom, Green (Replaced by 1073692)	1
▲	7 1044804	(00000000-	) Switch, Rocker, Dpst, On- Off, W/ Cover	1
▲	8 140879	(00000000-	) Screw, Rnd, Slt, 06- 32 X 0.75, Nyl	2
▲	9 1026384	(00000000-	) Label, Warning [Expl,Fire,Shk En/Fr/Es]	1
▲	10 140549	(00000000-	) Nut, Hex, Pf06 [Conduit]	1
▲	11 140504	(00000000-	) Nut, Lock, Conduit, Pm08	1
▲	12 600383	(00000000-	) Filter [Rfi]	1
▲	13 130747	(00000000-	) Circuitbreaker, 01.2a [Eta]	1
▲	14 140519	(00000000-	) Nut, Hex, Lock, #10- 24, Kep, Ss	3
▲	15 603957	(00000000-	) Bracket, Fltr [Rfi]	1
▲	16 140823	(00000000-	) Screw, Trs, Phl, 10- 24 X 0.62, Ss	1
▲	17 130005	(00000000-	) Terminal, 25a, 3 Position Strip	1
▲	18 130977	(00000000-	) Harness	1
▲	19 130166	(00000000-	) Grip, Cord, Strainrelief Pg- 11 W/Nut Bk	1
▲	20 1038777	(00000000-	) Cord, Power, 1.0mm /3 Blk [15meter, Aus]	1
▲	21 200101017	(00000000-	) Nut, Hex, Jam, M8 X 1.25	1
▲	22 140062	(00000000-	) Washer, 0.31, Ext, PI	1
▲	23 130765	(00000000-	) Boot, Guard, Splash [Push- Button]	1
	24 603041	(00000000-	) Gasket, Box, Switch, Neo	1
	25 603829	(00000000-	) Label, Instr, Clean On- Off [Kema]	1
	26 140885	(00000000-	) Screw, Trs, .25- 20 X 0.50, Phl, Ss	4
	27 130176	(00000000-	) Clip, Cord, Strainrelief [Belt]	1
	28 140638	(00000000-	) Nut, Hex, Pf08, Blk Nyl [Conduit]	1

▽ ASSEMBLY

▲ INCLUDED IN ASSEMBLY

BRUSH HOUSING GROUP - 1 of 2



## BRUSH HOUSING GROUP - 1 of 2

Ref.	Part No.	Serial Number	Description	Qty.
1	240194	(00000000-	) Knob, Tee 0.31- 18 Fem Thrd, Blk	1
2	230258	(00000000-	) Screw, Stud, .38- 16 X 2.00, Pl	1
3	230461.BK	(00000000-	) Bracket, Adj, Height, Blk	1
4	140564	(00000000-	) Bolt, Shld, .38d X 0.75, .31- 18	2
5	140919	(00000000-	) Spacer, Plstc, 0.38 0.12th, Nyl	1
6	230706.BK	(00000000-	) Tool, Pickup, 16w, Blk	1
6	230840.BK	(00000000-	) Tool, Pickup, 20w, Blk	1
7	200956	(00000000-	) Plate, Floor, 16.00, Ss [Shoe]	2
7	200825	(00000000-	) Plate, Floor, 20.00, Ss [Shoe]	2
8	140219	(00000000-	) Screw, Hex, .31- 18 X 1.00, Ss	4
9	140015	(00000000-	) Washer, Lock, Split, 0.31, Ss	6
10	140898	(00000000-	) Screw, Trs, .38- 16 X 0.75, Phl, Ss	2
11	140914	(00000000-	) Spacer, Plstc, 0.38b 0.50d 0.25l, Nyl	2
12	140226	(00000000-	) Screw, Hex, .31- 18 X 0.62, Ss	2
13	230459	(00000000-	) Bracket, Mtg, Brush Base	1
14	160464	(00000000-	) Hose, Vacuum, 1.50id X 0.53.0l, 2cuff,Blk	1
15	605321	(00000000-	) Tie, Cable, Nyl, 08.0l .19w 1.8 [Max D]	1
16	140552	(00000000-	) Nut, Hex, Lock, #10- 24, NI, Ss	1
17	140804	(00000000-	) Screw, Rnd, Phl, 10- 24 X 1.00, Ss	1
18	140441	(00000000-	) Spring, Cmpr, 1.00od .11wir 04.0l	1
19	59156	(00000000-	) Nut, Hex, Lock, .38- 16, NI, Ss	1
20	140028	(00000000-	) Washer, Flat, 0.42b 1.00d .05, Ss	2
21	230264.BK	(00000000-	) Clamp, Manifold, Bar, Spray [Bk]	1
22	140504	(00000000-	) Nut, Lock, Conduit, Pm08	1
23	130181	(00000000-	) Grip, Cord, Strainrelief, .50npt	2
24	130662	(00000000-	) Cord, 18ga /3, 024.0l Blk [Sjto]	1
25	100818	(00000000-	) Base, 16.0, Rm- Blk, Trimmed	1
25	604494	(00000000-	) Base, 20.0, Rm- Blk, Trimmed	1
26	140519	(00000000-	) Nut, Hex, Lock, #10- 24, Kep, Ss	3
27	100006	(00000000-	) Gasket, 16.0inch, Base Plt [Power Brush]	2
27	1027687	(00000000-	) Gasket, 20.0inch, Base Plt [Power Brush]	2
28	611917	(00000000-	) Plate, Base, 16.0inch [Yel Chromate]	1
28	611918	(00000000-	) Plate, Base, 20.0inch [Yel Chromate]	1
29	140890	(00000000-	) Screw, Trs, Phl, 10- 24 X 0.50, Ss	1
30	140887	(00000000-	) Screw, Pan, 10- 24 X 0.38, Ss	12
31	140233	(00000000-	) Screw, Hex, .38- 16 X 1.75, Ss	1
32	140028	(00000000-	) Washer, Flat, 0.42b 1.00d .05, Ss	1
33	120617	(00000000-	) Label, Instr [Height Adj, Pe]	1
34	606244	(00000000-	) Hose, Pvc, Brd, 0.25id 0.50od 16.0l,Gray	1
35	140325	(00000000-	) Clamp, Hose, Ear, 0.50d, Ss	1
36	150526	(00000000-	) Fitting, Brs, Str, Bm04/Jf04	1



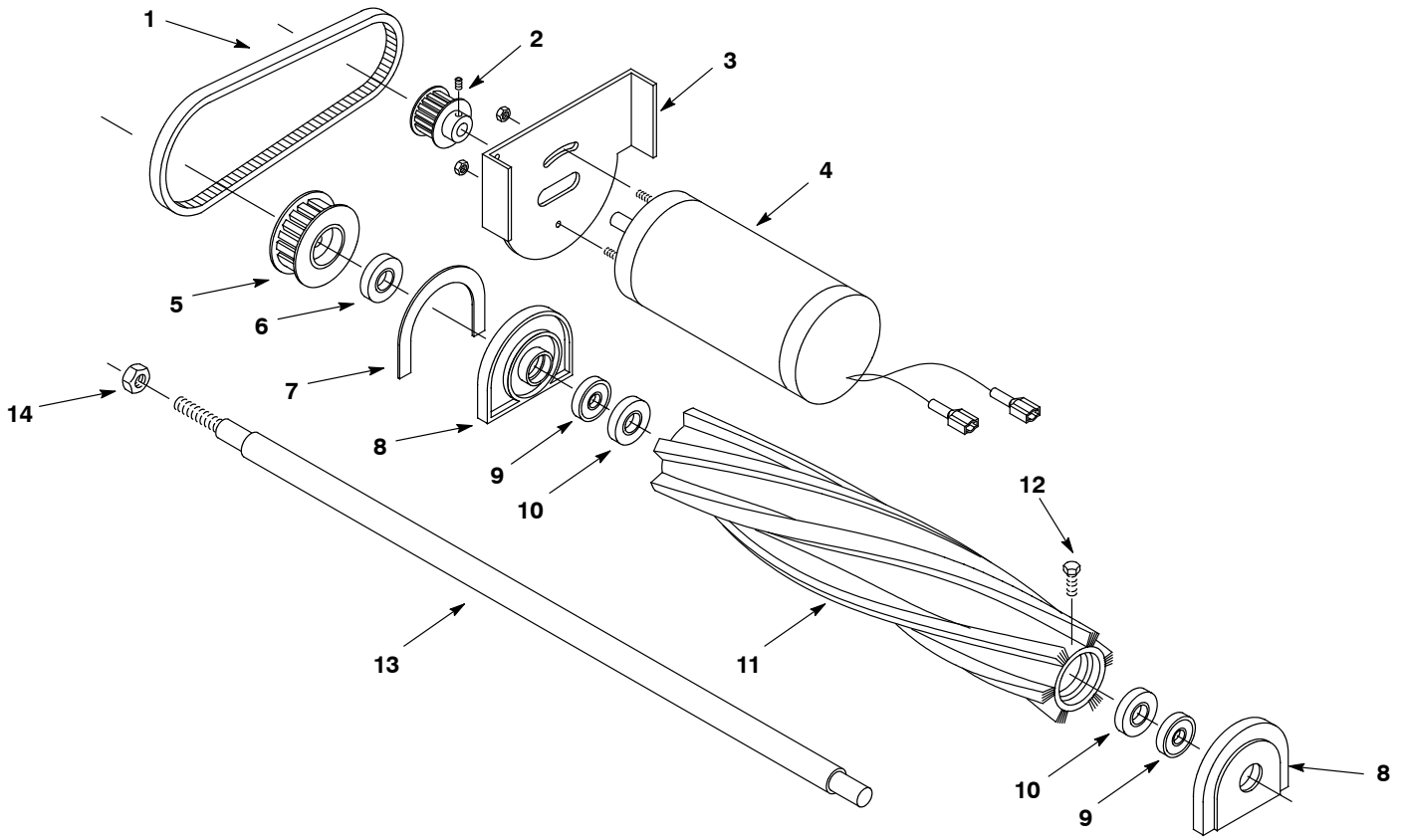
## BRUSH HOUSING GROUP - 2of 2

	Ref.	Part No.	Serial Number	Description	Qty.
▽		700424	(00000000-	) Bar Assy, Spray, 16inch [Twistout L20]	1
▲	37	150616	(00000000-	) Fitting, Brs, Str, Jm04/Pf04	1
▲	38	150422	(00000000-	) Fitting, Brs, E45, Pf02/Pm02, Str	1
▲▽	39	201010	(00000000-	) Fitting, Brs, Jet [.125 Q- Jet]	4
▲▲	40	201012	(00000000-	) Fitting, Brs, Tip, F/201010 [8002]	4
▲▲	41	201015	(00000000-	) Seal, Nozzle, Spray	4
▲	42	230267	(00000000-	) Manifold, Bar, Spray, 16.0inch	1
▲	43	150208	(00000000-	) Fitting, Brs, Str, Pm02, Plug [Skhd]	3
▽		701171	(00000000-	) Bar Assy, Spray, 20inch [Twistout L20]	1
▲	37	150616	(00000000-	) Fitting, Brs, Str, Jm04/Pf04	1
▲	38	150422	(00000000-	) Fitting, Brs, E45, Pf02/Pm02, Str	1
▲▽	39	201011	(00000000-	) Fitting, Brs, Jet [.125 Q- Jet]	5
▲▲	40	201013	(00000000-	) Fitting, Brs, Tip, F/201011 [80015]	5
▲▲	41	201015	(00000000-	) Seal, Nozzle, Spray	5
▲	42	230379	(00000000-	) Manifold, Bar, Spray, 20.0inch	1
▲	43	150208	(00000000-	) Fitting, Brs, Str, Pm02, Plug [Skhd]	3
	44	600692	(00000000-	) Cable, 1.6mmd 0152l, Strain Relief, Tnv (240V EMC)	1
▽		604628	(00000000-	) Filter Assy, 240volt [Rfi, Kema, Pe+] (240V EMC)	1
▲	45	600694	(00000000-	) Filter, Brush, Tnv [Rfi] (240V EMC)	1
▲	46	600693	(00000000-	) Filter, Choke, 2.5a, Tnv [20uh] (240V EMC)	2
	47	140350	(00000000-	) Screw, Pan, Phl, 10- 16 X 0.50, Ss[Typ25] (240V EMC)	1

▽ ASSEMBLY

▲ INCLUDED IN ASSEMBLY

BRUSH BREAKDOWN



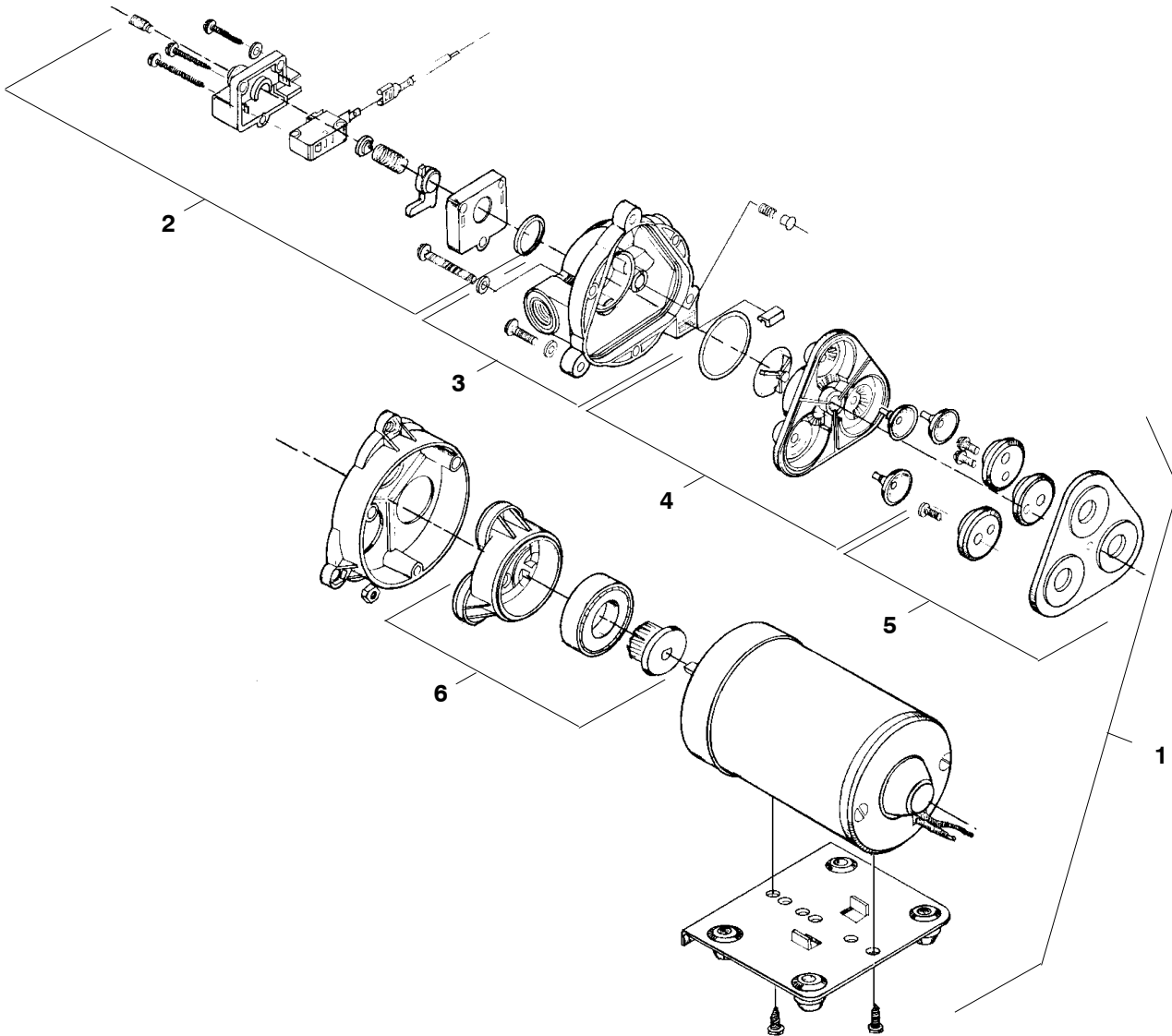
## BRUSH BREAKDOWN

Ref.	Part No.	Serial Number	Description	Qty.	
1	230507	(00000000-	) Belt, Synchronous, 0.38 0.20p 18.0l	1	
2	230506	(00000000-	) Pulley, Drive, 15tooth X .31b [1/5p]	1	
3	230366	(00000000-	) Plate, Mount, Motor	1	
∇	4	130472	(00000000-	) Motor, Ele, 220vac, Brush Drive	1
▲		190154	(00000000-	) Brush Card 240v 130472 Dumore	2
∇	4	1072552	(10652830-	) Motor, Brush, 230vac [Emc]	1
▲		9011647	(10652830-	) Vr, Brush Kit, Motor 1072552 (1Pkg = 2Brushes)	1
∇	4	575729	(00000000- 10652829	) Motor, Brush, 230vac [843p- 5] (Replaced by 1072552)	1
▲		575782	(00000000- 10652829	) Brush, Carbon, F/575729 [1 Pc]	2
∇		700212	(00000000-	) Brush Assy, 16.0	1
▲	5	230505	(00000000-	) Pulley, Drive, 26tooth X .31b [1/5p]	1
▲	6	230363	(00000000-	) Spacer, 0.33b 0.62d 0.16l, PI	1
▲	7	100005	(00000000-	) Gasket, Block, Brg	1
▲	8	230261	(00000000-	) Block, Brush Brg	2
▲	9	140125	(00000000-	) Bearing, Brush, 0.32b 0.87d 0.28w	2
▲	10	100049	(00000000-	) Seal, Brush, Brg	2
▲	11	240004	(00000000-	) Brush, Cylrcl, 16.0d	1
▲	12	24672	(00000000-	) Screw, Hex, .25- 20 X 0.75, Ss	4
▲	13	230257	(00000000-	) Shaft, Brush, 16.0inch	1
▲	14	140548	(00000000-	) Nut, Hex, Jam, Fin .31, Ss	1
∇		700094	(00000000-	) Brush Assy, 20.0	1
▲	5	230505	(00000000-	) Pulley, Drive, 26tooth X .31b [1/5p]	1
▲	6	230363	(00000000-	) Spacer, 0.33b 0.62d 0.16l, PI	1
▲	7	100005	(00000000-	) Gasket, Block, Brg	1
▲	8	230261	(00000000-	) Block, Brush Brg	2
▲	9	140125	(00000000-	) Bearing, Brush, 0.32b 0.87d 0.28w	2
▲	10	100049	(00000000-	) Seal, Brush, Brg	2
▲	11	240050	(00000000-	) Brush, Cylrcl, 20.0d	1
▲	12	24672	(00000000-	) Screw, Hex, .25- 20 X 0.75, Ss	4
▲	13	230362	(00000000-	) Shaft, Brush, 20.0inch	1
▲	14	140548	(00000000-	) Nut, Hex, Jam, Fin .31, Ss	1

∇ ASSEMBLY

▲ INCLUDED IN ASSEMBLY

PUMP BREAKDOWN

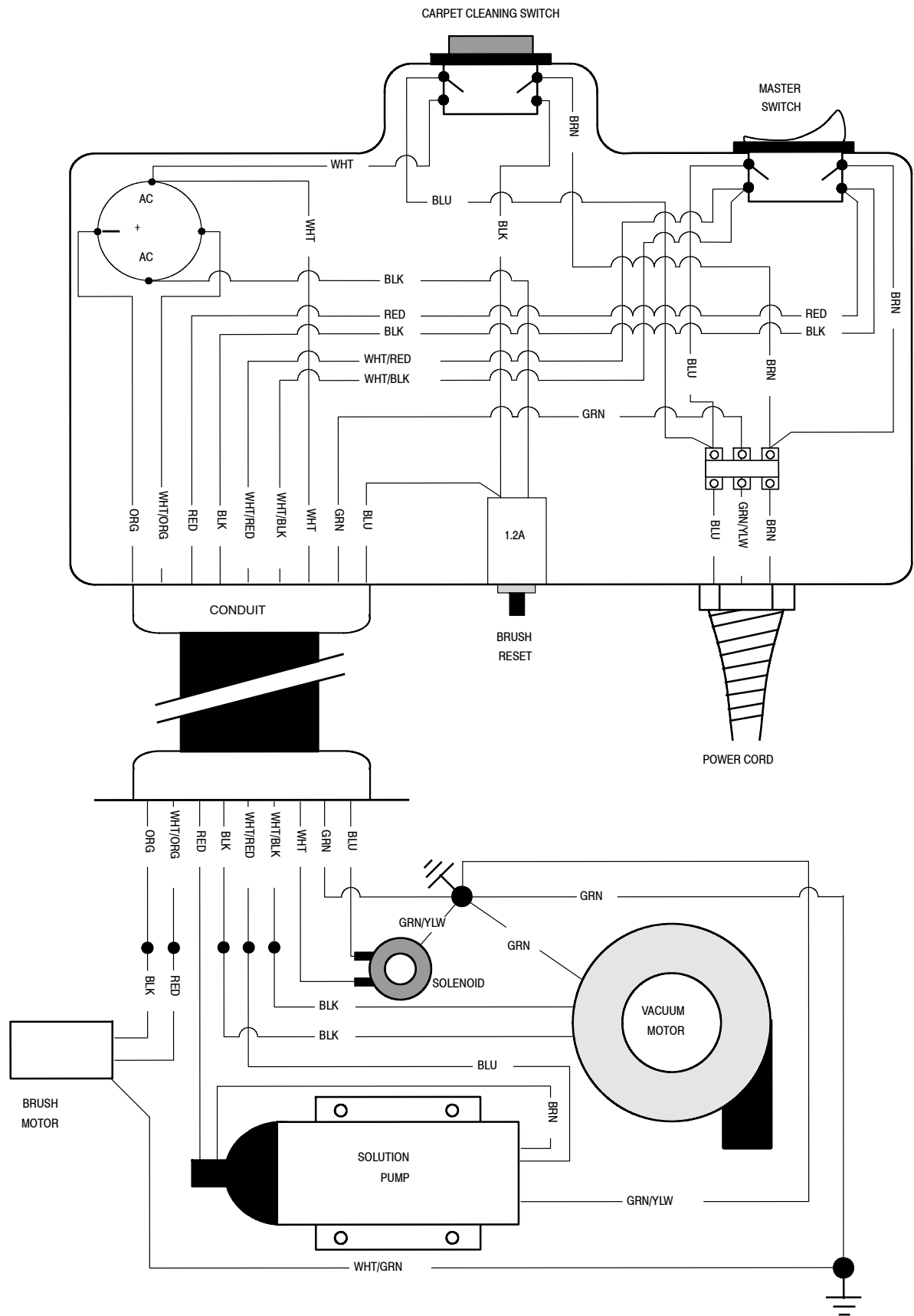


	Ref.	Part No.	Serial Number	Description	Qty.
▽	1	180109	(00000000-	) Pump, Soltn, Ele, 230vac, 100psi	1
▲	2	190129	(00000000-	) Switch, Press, Soltn Pump	1
▲	2	190172	(00000000-	) Switch Kit, 80- 100psi [Viton]	1
▲	2	190134	(00000000-	) Diaphragm, Switch [Shurflo]	1
▲	3	190128	(00000000-	) Housing Kit, Upper	1
▲	3	190124	(00000000-	) Valve Kit, Check, Replmt	1
▲	4	190171	(00000000-	) Valve Kit [Viton]	1
▲	5	190131	(00000000-	) Service Kit [Shurflo]	1
▲	6	190130	(00000000-	) Housing Kit, Lower [94- 385- 03]	1

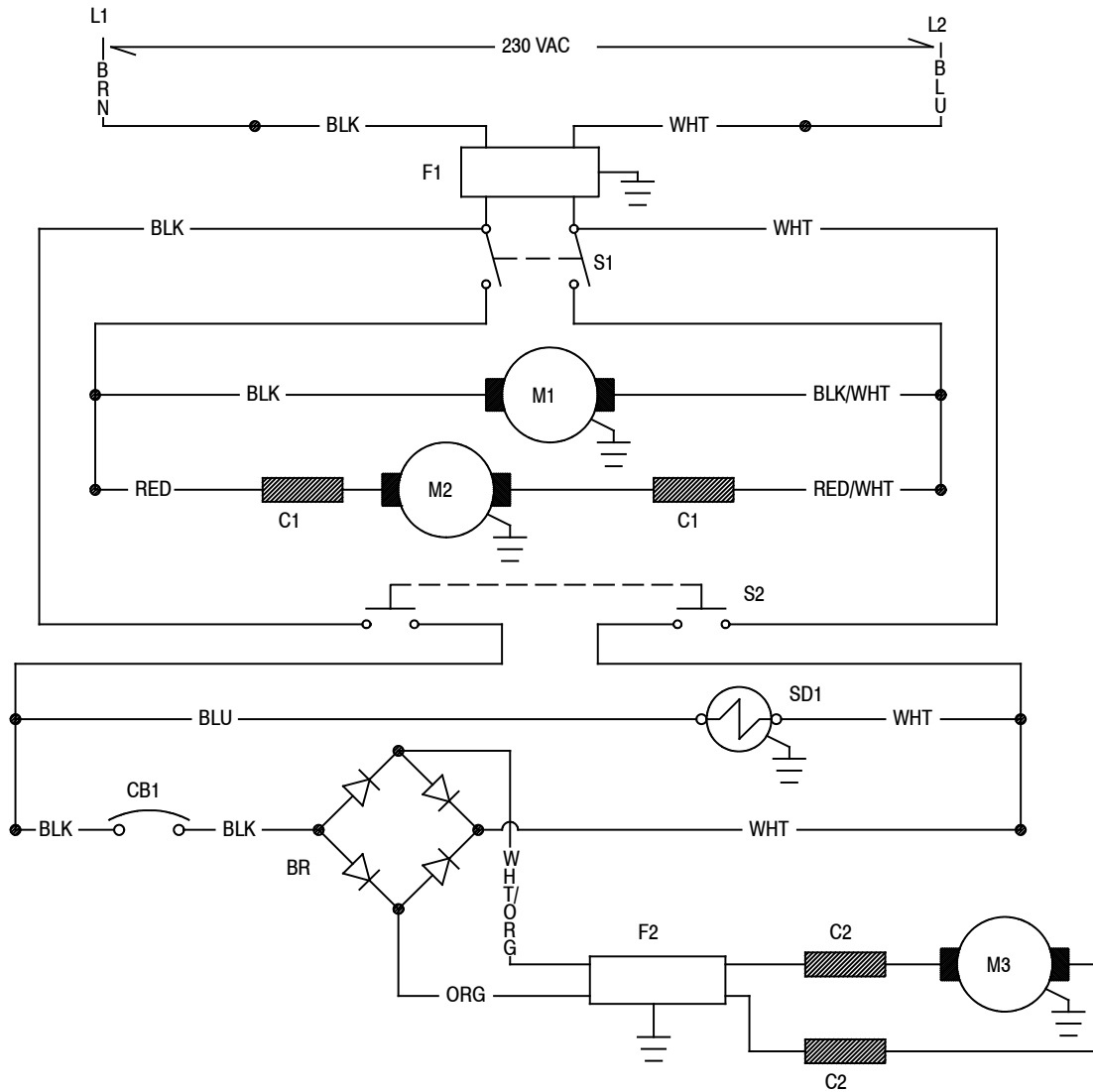
▽ ASSEMBLY

▲ INCLUDED IN ASSEMBLY

WIRING DIAGRAM, 220V/230V/240V



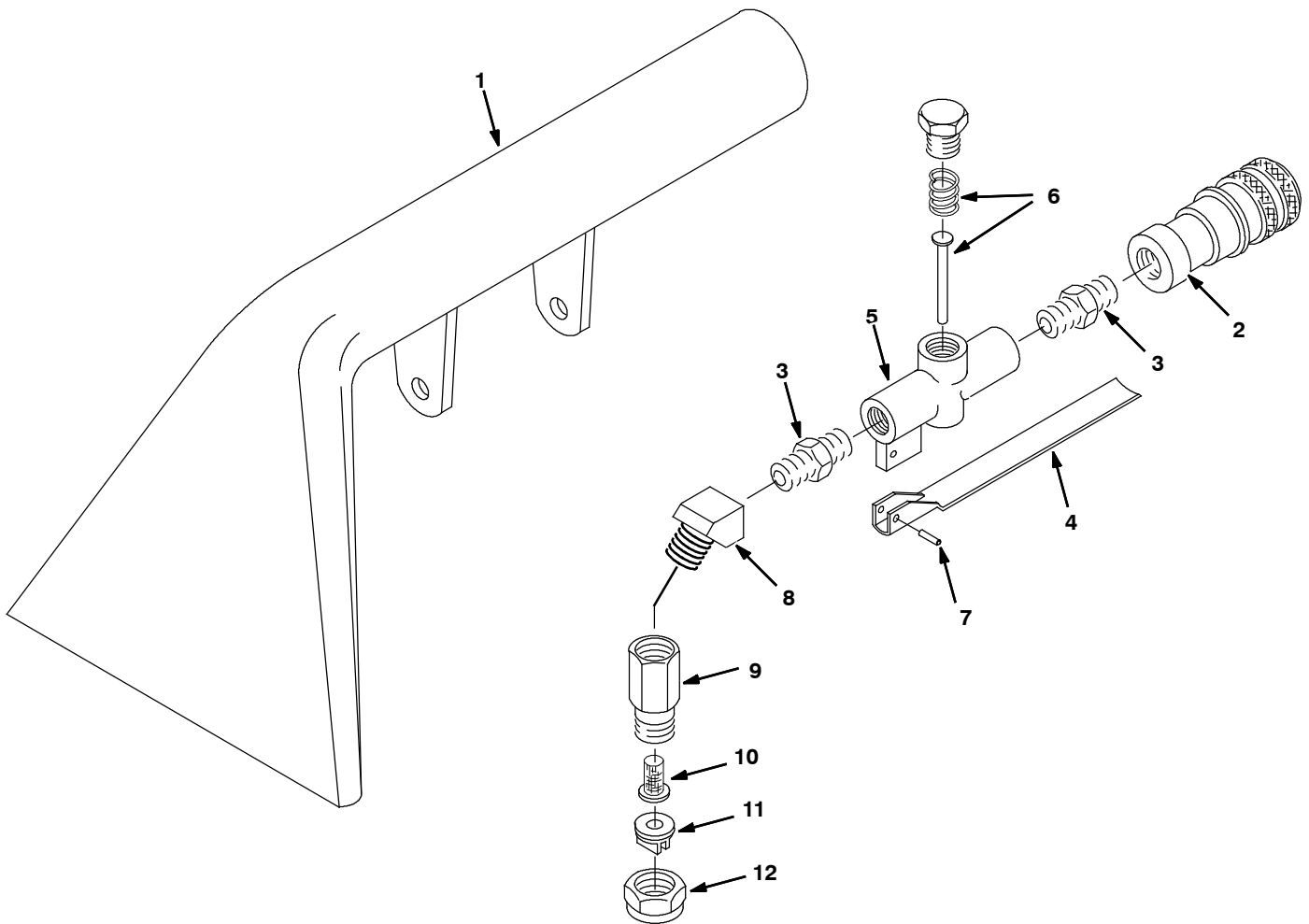
## LADDER DIAGRAM, 240V EMC



### REFLEGEND

RED=Red  
 BLK=Black  
 WHT=White  
 ORG=Orange  
 BLU=Blue  
 BRN=Brown  
 S1=Switch, Vac  
 S2=Switch, Brush  
 M1=Motor, Vacuum  
 M2=Pump  
 M3=Motor, Brush  
 SD1=Valve, Solenoid  
 CB1 =Circuit Breaker  
 F 1=Filter, RFI  
 F 2=Brush Filter, RFI  
 BR=Bridge Rectifier  
 C1=Choke, RFI  
 C2=Choke, RFI

HAND TOOL, 5 in (127 mm)

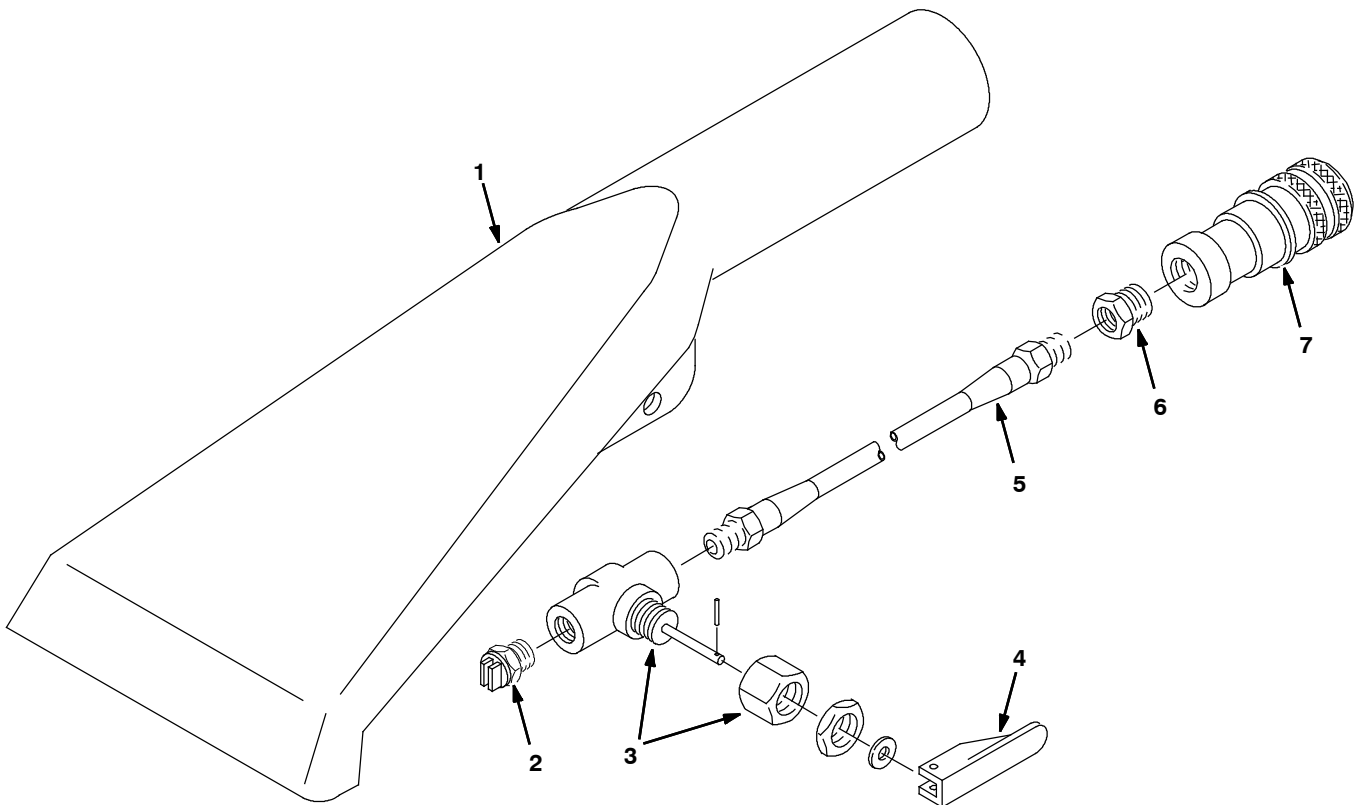


Ref.	Part No.	Serial Number	Description	Qty.
▽	200505	(00000000-	) Tool, Hand, 127mm 5.0w	1
▲ 1	200431.BK	(00000000-	) Tool, Hand, Blk	1
▲ 2	150913	(00000000-	) Fitting, Brs, Qdc, Pf04 [Ser60]	1
▲ 3	150606	(00000000-	) Fitting, Brs, Str, Pm04/Pm04 X1.38l[Nip]	2
▲ 4	200905	(00000000-	) Lever [K- Valve W/ Pin]	1
▲ 5	210210	(00000000-	) Valve, Water, Flow Cntrl, Pf04/Pf04	1
▲ 6	190600	(00000000-	) K- Valve Kit, Repair	1
▲ 7	140609	(00000000-	) Pin, Roll, .187d X 0.56l, PI	1
▲ 8	150403	(00000000-	) Fitting, Brs, E45, Pf04/Pm04 [Taped]	1
▲ 9	200992	(00000000-	) Fitting, Brs, Str, Pf02, Swivel	1
▲ 10	200996	(00000000-	) Filter, Screen, 100mesh, Check Valve	1
▲ 11	200965	(00000000-	) Fitting, Brs, Tip [8002, T- Jet]	1
▲ 12	200994	(00000000-	) Cap, Nozzle, Spray [#8002]	1

▽ ASSEMBLY

▲ INCLUDED IN ASSEMBLY

**CREVICE TOOL, 3 in (76 mm)**

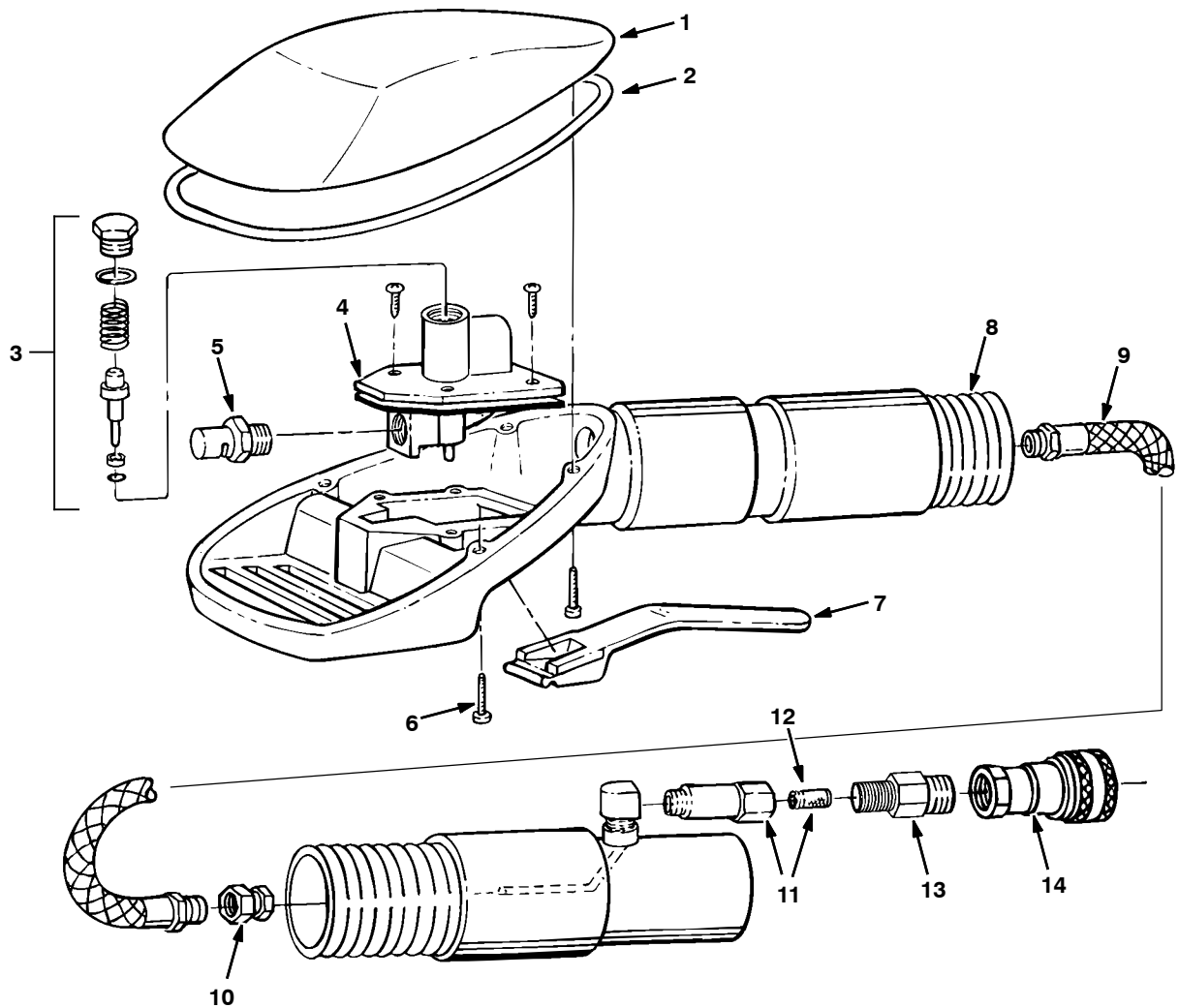


Ref.	Part No.	Serial Number	Description	Qty.
▽	200517	(00000000-	) Tool [Crevice Lp/Hp Series 60]	1
▲ 1	200436.BK	(00000000-	) Tool, Blk [Crevice]	1
▲ 2	200975	(00000000-	) Fitting, Brs, Jet [.125 V- Jet]	1
▲ 3	210014	(00000000-	) Valve, Water, Toggle, Pf02, W/ Nut	1
▲ 4	210020	(00000000-	) Handle, Valve [Positioner]	1
▲ 5	160106	(00000000-	) Hose, Soltn, Crevice Tool	1
▲ 6	150100	(00000000-	) Fitting, Brs, Str, Pf02/Pm04	1
▲ 7	150913	(00000000-	) Fitting, Brs, Qdc, Pf04 [Ser60]	1

▽ ASSEMBLY

▲ INCLUDED IN ASSEMBLY

UPHOLSTERY TOOL, LOW PRESSURE

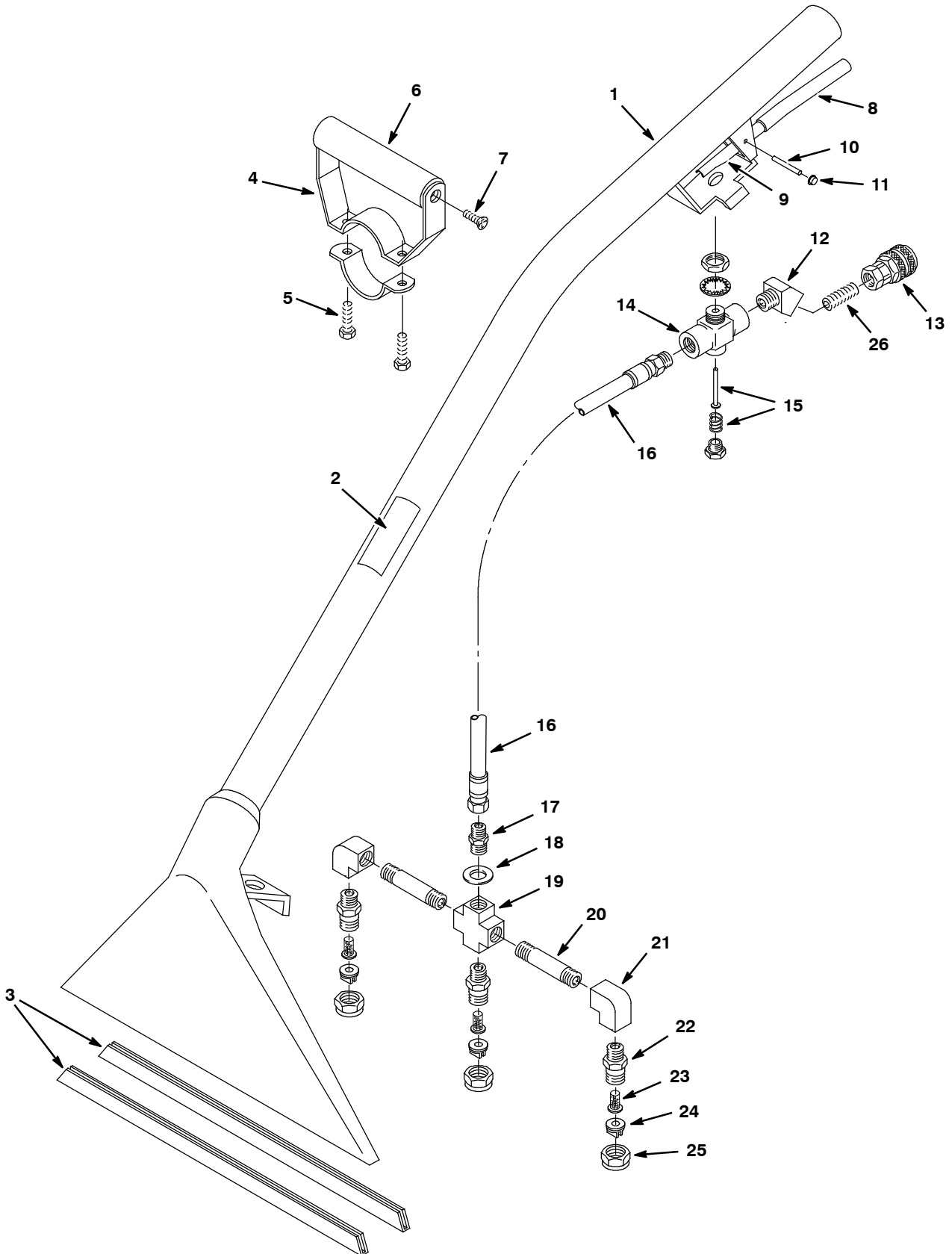


Ref.	Part No.	Serial Number	Description	Qty.
▽	200540	(00000000-	) Tool [Upholstery Lp Series 60]	1
▲	1 200845	(00000000-	) Cover, Tool [Upholstery]	1
▲	2 200843	(00000000-	) Gasket, Cover	1
▲	3 190631	(00000000-	) Service Kit [Upholstery, Lp]	1
▲	4 210226	(00000000-	) Valve, Water, Solenoid, 120vac Low Press	1
▲	5 200991	(00000000-	) Fitting, Ss, Jet, 1/8k- Jet	1
▲	6 200838	(00000000-	) Vr, Screw, Pan, Phl, 06- 32 X 0.75	4
▲	7 200840	(00000000-	) Trigger Upholstery Tool	1
▲	8 200844	(00000000-	) Hose, Vacuum [Upholstery Tool W/O Cuffs]	1
▲	9 200837	(00000000-	) Hose [Hp Upholstery Tool]	1
▲	10 200848	(00000000-	) Fitting, Brs [3 Pcs]	1
▲	11 200842	(00000000-	) Filter, In- Line, Complt	1
▲	12 200841	(00000000-	) Screen, Fltr, In- Line	1
▲	13 150606	(00000000-	) Fitting, Brs, Str, Pm04/Pm04 X1.38 [Nip]	1
▲	14 150913	(00000000-	) Fitting, Brs, Qdc, Pf04 [Ser60]	1

▽ ASSEMBLY

▲ INCLUDED IN ASSEMBLY

FLOOR TOOL, LOW PRESSURE 13 in (330 mm)



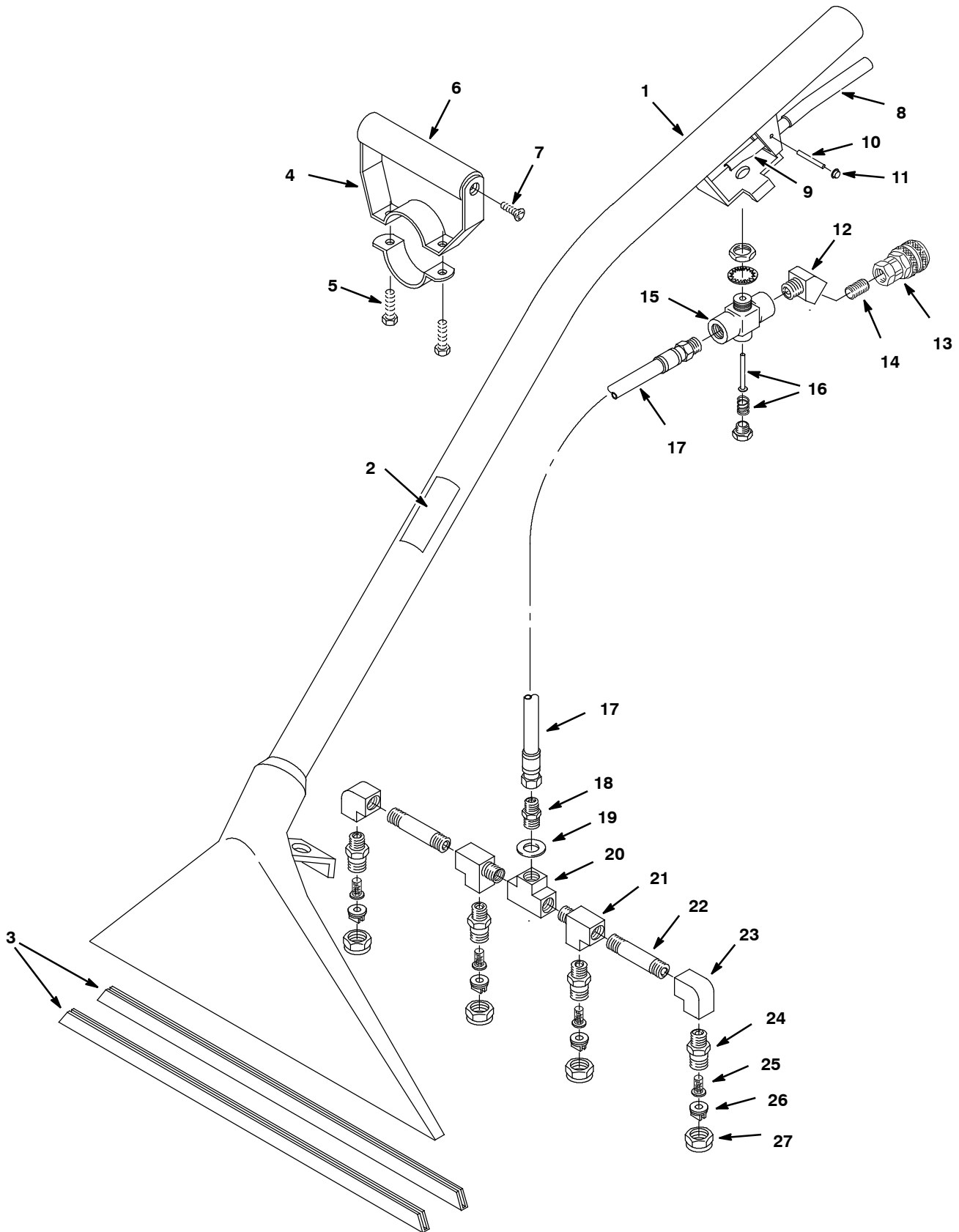
FLOOR TOOL, LOW PRESSURE 13 in (330 mm)

Ref.	Part No.	Serial Number	Description	Qty.
▽	600048	(00000000-	) Tool, Floor, 13.0w, 33cm [W/3 Nozzles]	1
▲	1 200403.BK	(00000000-	) Tool, Pickup, Floor, 12w, Blk	1
▲	2 120846	(00000000-	) Label, Low- Press Floor Tool	1
▲	3 200939	(00000000-	) Plate, Tool, Floor, 13.00 [Shoe]	2
▲▽	4 200927	(00000000-	) Grip Hand Adj, Complt	1
▲▲	5 01697	(00000000-	) Screw, Hex, .25- 20 X 0.62, Ss	2
▲▲	6 200912	(00000000-	) Grip, Handle, Foam	1
▲▲	7 140834	(00000000-	) Screw, Flt, .25- 20 X 0.62, Phl, Ss	2
▲	8 200809	(00000000-	) Sleeve, Handle, Floor Tool	1
▲	9 200902	(00000000-	) Handle, Valve [Imperial]	1
▲	10 140605	(00000000-	) Pin, Handle [Imperial Eastman]	1
▲	11 140520	(00000000-	) Nut, Push, .25id, Blk, PI	2
▲	12 150403	(00000000-	) Fitting, Brs, E45, Pf04/Pm04 [Taped]	1
▲	13 150913	(00000000-	) Fitting, Brs, Qdc, Pf04 [Ser60]	1
▲▽	14 210150	(00000000-	) Valve, Water, Flow Cntrl, Pf04/Pf04	1
▲▲	15 190603	(00000000-	) Imperial Eastman Kit, Repair	1
▲	16 160170	(00000000-	) Hose Assy, Wand, 47.34 [Endtoend, 42059]	1
▲	17 150606	(00000000-	) Fitting, Brs, Str, Pm04/Pm04 X1.38 [Nip]	1
▲	18 140058	(00000000-	) Washer, Flat, 0.54b 0.88d .06, Ss [Wand]	1
▲▽	700062	(00000000-	) Bar Assy, Spray, 12inch, W/O Tip[Flr TI]	1
▲▲	19 150700	(00000000-	) Fitting, Brs, Cross, Pf04/Pf04/Pf04/Pf04	1
▲▲	20 150600	(00000000-	) Fitting, Brs, Nipple, Pm04 X 2.0 [Taped]	2
▲▲	21 150401	(00000000-	) Fitting, Brs, E90, Pf04/Pf04	2
▲▲	22 200993	(00000000-	) Fitting, Brs, Pm04 [Spray Body]	3
▲	23 200996	(00000000-	) Filter, Screen, 100mesh, Check Valve	3
▲	24 200964	(00000000-	) Fitting, Brs, Tip [11003, T- Jet]	3
▲	25 200994	(00000000-	) Cap, Nozzle, Spray [#8002]	3
▲	26 150615	(00000000-	) Fitting, Brs, Str, Pm04, Close, T	1

▽ ASSEMBLY

▲ INCLUDED IN ASSEMBLY

FLOOR TOOL, LOW PRESSURE 16 in (406 mm)



FLOOR TOOL, LOW PRESSURE 16 in (406 mm)

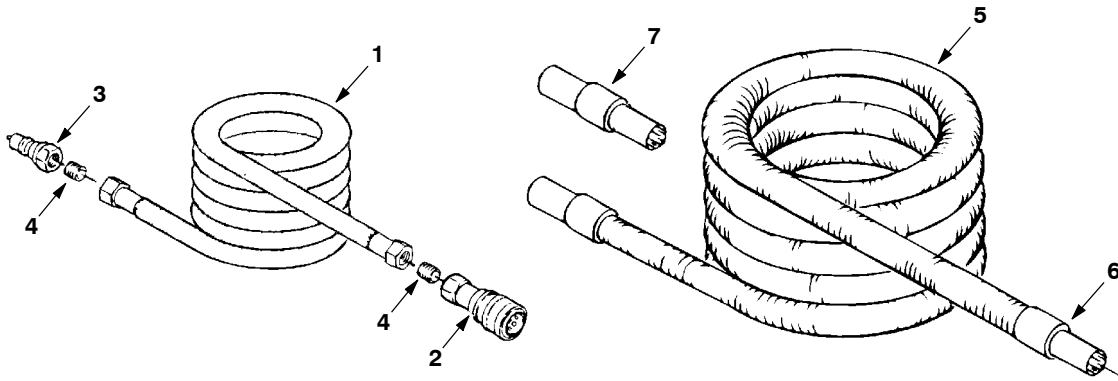
Ref.	Part No.	Serial Number	Description	Qty.
▽	200503	(00000000-	) Tool, Pickup, Floor, 16w [Lp Series 60]	1
▲	1 200411.BK	(00000000-	) Tool, Pickup, Floor, 16w, Blk	1
▲	2 120846	(00000000-	) Label, Low- Press Floor Tool	1
▲	3 200956	(00000000-	) Plate, Floor, 16.00, Ss [Shoe]	2
▲▽	4 200927	(00000000-	) Grip Hand Adj, Complt	1
▲▲	5 01697	(00000000-	) Screw, Hex, .25- 20 X 0.62, Ss	2
▲▲	6 200912	(00000000-	) Grip, Handle, Foam	1
▲▲	7 140834	(00000000-	) Screw, Flt, .25- 20 X 0.62, Phl, Ss	2
▲	8 200809	(00000000-	) Sleeve, Handle, Floor Tool	1
▲	9 200902	(00000000-	) Handle, Valve [Imperial]	1
▲	10 140605	(00000000-	) Pin, Handle [Imperial Eastman]	1
▲	11 140520	(00000000-	) Nut, Push, .25id, Blk, PI	2
▲	12 150403	(00000000-	) Fitting, Brs, E45, Pf04/Pm04 [Taped]	1
▲	13 150913	(00000000-	) Fitting, Brs, Qdc, Pf04 [Ser60]	1
▲	14 150615	(00000000-	) Fitting, Brs, Str, Pm04, Close, T	1
▲▽	15 210150	(00000000-	) Valve, Water, Flow Cntrl, Pf04/Pf04	1
▲▲	16 190603	(00000000-	) Imperial Eastman Kit, Repair	1
▲	17 160170	(00000000-	) Hose Assy, Wand, 47.34 [Endtoend, 42059]	1
▲	18 150606	(00000000-	) Fitting, Brs, Str, Pm04/Pm04 X1.38 [Nip]	1
▲	19 140058	(00000000-	) Washer, Flat, 0.54b 0.88d .06, Ss [Wand]	1
▲▽	700656	(00000000-	) Bar Assy, Spray, 16inch, W/O Tip	1
▲▲	20 150706	(00000000-	) Fitting, Brs, Tee, Pf04/Pf04/Pf04	1
▲▲	21 150709	(00000000-	) Fitting, Brs, Tee, Pm04/Pf04/Pf04, Run	2
▲▲	22 150600	(00000000-	) Fitting, Brs, Nipple, Pm04 X 2.0 [Taped]	2
▲▲	23 150401	(00000000-	) Fitting, Brs, E90, Pf04/Pf04	2
▲▲	24 200993	(00000000-	) Fitting, Brs, Pm04 [Spray Body]	4
▲	25 200996	(00000000-	) Filter, Screen, 100mesh, Check Valve	4
▲	26 200964	(00000000-	) Fitting, Brs, Tip [11003, T- Jet]	4
▲	27 200994	(00000000-	) Cap, Nozzle, Spray [#8002]	4

▽ ASSEMBLY

▲ INCLUDED IN ASSEMBLY

# OPTIONS

## HOSES, LOW PRESSURE SOLUTION AND VACUUM

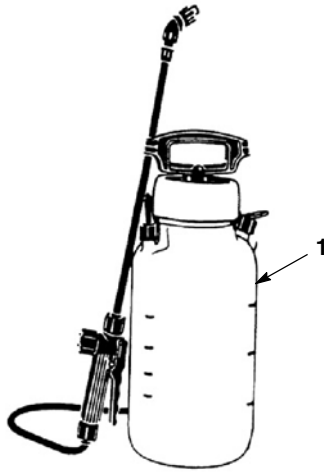


Ref.	Part No.	Serial Number	Description	Qty.
▽	1	1073341	(00000000- ) Hose Assy, .38id X 15ft, Qdc/Qm [Ser60] (Optional)	1
▽	1	160186	(00000000- ) Hose, Soltn, .38id X 25ft [Series 60,Lp] (Standard)	1
▽	1	160187	(00000000- ) Hose, Soltn, .38id X 50ft [Series 60,Lp] (Optional)	1
▲	2	150913	(00000000- ) Fitting, Brs, Qdc, Pf04 [Ser60]	1
▲	3	150933	(00000000- ) Fitting, Brs, Qdc, Pm04 [Ser60]	1
▲	4	150615	(00000000- ) Fitting, Brs, Str, Pm04, Close, T	2
▽	5	160400	(00000000- ) Hose, Vacuum, 1.50id X 15ft, 2cuff (Optional)	1
▽	5	160401	(00000000- ) Hose, Vacuum, 1.50id X 25ft, 2cuff (Standard)	1
▽	5	160402	(00000000- ) Hose, Vacuum, 1.50id X 50ft, 2cuff (Optional)	1
▲	6	160430	(00000000- ) Cuff, 1.5d Hose, 1.5id	2
	7	12694	(00000000- ) Fitting, Plstc, Str, Bm24/Bm24	1
	N/S	220040	(00000000- ) Bag, Hose, Accssry, 24x36[W/Draw String] (Optional)	1

▽ ASSEMBLY

▲ INCLUDED IN ASSEMBLY

PUMP-UP CARPET SPRAYER



Ref.	Part No.	Serial Number	Description	Qty.
1	605848	(00000000-	) Sprayer 2gal Pumpup Hd (Optional)	1