



## Electronic Service Manuals

This electronic document is provided as a service to our customers. We do not create the contents of the information contained in this document. Should you have detailed questions pertaining to the information contained in this document, you may contact Michco, or the manufacturer which provided the original information in this electronic deliverable. Michco's only part in this electronic deliverable was the electronic assembly process. By providing this manual on line we are not guaranteeing parts availability.

You may contact Michco through the following methods:

Phone (517) 484-9312 or (800) 331-3339

2011 N. High St. -- Lansing, Michigan -- 48906

Fax: (517) 484-9836

Email: [CustServe@Michco.com](mailto:CustServe@Michco.com)

Web site: [www.Michco.Com](http://www.Michco.Com)

Parts Web site: [www.FloorMachineParts.Com](http://www.FloorMachineParts.Com)

Order Parts on Line at:

**[www.FloorMachineParts.Com](http://www.FloorMachineParts.Com)**

Directly to Parts & Service:

By Email: **[Shop@Michco.com](mailto:Shop@Michco.com)**

By Fax: (517) 702-2041

By Voice: Use numbers above.

**Serving the Cleaning Industry Since 1922**

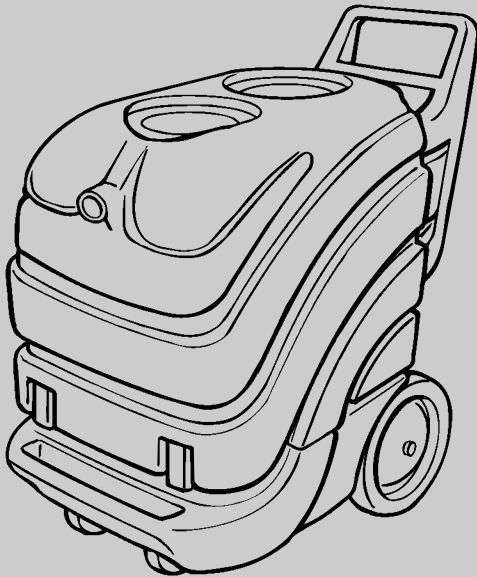
Notice: All copyrighted material remains property of original owners, all trademarks are property of respective owners. Manuals are subject to Manufacturer's reproduction limitations. Originals or reproductions were provided by manufacturers through a request. We make no warranty as to the correctness of information provided in this document and you assume all risk. By placing these manuals on line we are not declaring our corporation to be an manufacturer authorized dealer or provider, please check our web site for authorized manufacturers we represent.



# 1120

**Carpet Extractor  
Extractor Para Alfombras  
Extracteur De Moquette**

**Operator and Parts Manual  
Manual De Operador  
Y Lista De Repuestos  
Opérateur Manuel et  
Liste Des Pièces**



Model Part No.:  
607679 - 120V  
607680 - 120V Pac  
609613 - 120V CSA SI  
609612 - 120V CSA SI Pac  
613742 - 220V/60Hz  
609565 - 230V  
609689 - 240V EMC

**607702  
Rev. 03 (09-2007)**



# OPERATION

---

This manual is furnished with each new model. It provides necessary operation and maintenance instructions and an illustrated parts list.

**Read this manual completely and understand the machine before operating or servicing it.**

When ordering replacement parts, use the illustrated parts lists section in this manual. Before ordering parts or supplies, be sure to have your machine model number and serial number available. Parts and supplies may be ordered by phone or mail from any authorized parts and service center, distributor or from any of the manufacturer's subsidiaries.

This machine will provide excellent service. However, the best results will be obtained at minimum costs if:

- The machine is operated with reasonable care.
- The machine is maintained regularly - per the machine maintenance instructions provided.
- The machine is maintained with manufacturer supplied or equivalent parts.

---

## MACHINE DATA


---

Please fill out at time of installation for future reference.

Model No.- \_\_\_\_\_


Install. Date - \_\_\_\_\_

Serial No.- \_\_\_\_\_



**PROTECT THE ENVIRONMENT**

Please dispose of packaging materials, old machine components such as batteries, hazardous fluids such as antifreeze and oil, in a safe environmentally way according to your local waste disposal regulations.



Always remember to recycle.

### Tennant Company

PO Box 1452

Minneapolis, MN 55440

Phone: (800) 553-8033 or (763) 513-2850

[www.tennantco.com](http://www.tennantco.com)

Specifications and parts are subject to change without notice.

©1999, 2000, 2004, 2007 Tennant Company. All rights reserved.

Printed in U.S.A.

<b>TABLE OF CONTENTS</b>	<b>(ESPAÑOL....13)</b>	<b>(FRANÇAIS....25)</b>	
<b>SAFETY PRECAUTIONS</b> .....	<b>4</b>	<b>SPECIFICATIONS</b> .....	<b>12</b>
GROUNDING INSTRUCTIONS .....	5	<b>MACHINE DIMENSIONS</b> .....	<b>12</b>
<b>SAFETY LABEL</b> .....	<b>5</b>	<b>ELECTRICAL DIAGRAMS</b> .....	<b>37</b>
<b>MACHINE COMPONENTS</b> .....	<b>6</b>	<b>PARTS LIST</b> .....	<b>38</b>
<b>MACHINE SETUP</b> .....	<b>7</b>	UPPER HOUSING GROUP .....	38
<b>OPERATING FLOOR TOOL</b> .....	<b>7</b>	LOWER HOUSING GROUP .....	40
<b>OPERATING HAND TOOL</b> .....	<b>8</b>	HANDLE GROUP .....	42
<b>DRAINING TANKS</b> .....	<b>8</b>	PLUMBING GROUP .....	44
DRAINING RECOVERY TANK .....	8	PUMP BREAKDOWN .....	45
DRAINING SOLUTION TANK .....	9	<b>OPTIONS</b> .....	<b>46</b>
<b>MACHINE MAINTENANCE</b> .....	<b>9</b>	HAND TOOL, 5 in / 127 mm .....	46
DAILY MAINTENANCE .....	9	CREVICE TOOL, 3 in / 76 mm .....	46
WEEKLY MAINTENANCE .....	10	HAND TOOL, UPHOLSTERY LOW	
MONTHLY MAINTENANCE .....	10	PRESSURE .....	47
QUARTERLY MAINTENANCE .....	10	FLOOR TOOL, LOW PRESSURE,	
<b>STORING MACHINE</b> .....	<b>10</b>	13 in / 330 mm .....	48
<b>RECOMMENDED STOCK ITEMS</b> .....	<b>10</b>	FLOOR TOOL, LOW PRESSURE	
<b>TROUBLE SHOOTING</b> .....	<b>11</b>	16 in / 406 mm .....	50
		SOLUTION AND VACUUM HOSES	
		GROUP .....	52

# OPERATION

---

---


## SAFETY PRECAUTIONS

---

This machine is intended for commercial use. It is designed exclusively to clean carpet and upholstery in an indoor environment and is not constructed for any other use. Use only recommended accessory tools and commercially available carpet cleaners intended for machine application.

All operators must read, understand and practice the following safety precautions.

The following warning alert symbol and the "FOR SAFETY" heading are used throughout this manual as indicated in their description:

 **WARNING:** To warn of hazards or unsafe practices which could result in severe personal injury or death.

**FOR SAFETY:** To identify actions which must be followed for safe operation of equipment.

---

Failure to follow these warnings may result in: personal injury, electrocution, electrical shock, fire or explosion.

 **WARNING:** Do Not Use Flammable Liquids Or Operate Machine In Or Near Flammable Liquids, Vapors Or Combustible Dusts.

This machine is not equipped with explosion proof motors. The electric motors will spark upon start up and during operation which could cause a flash fire or explosion if machine is used in an area where flammable vapors/liquids or combustible dusts are present.

 **WARNING:** Do Not Pick Up Flammable Materials Or Reactive Metals.

 **WARNING:** Do Not Operate With Damaged Power Cord. Do Not Modify Plug. Unplug power Cord Before Servicing Machine.

If the supply cord is damaged or broken, it must be replaced by the manufacturer or it's service agent or a similarly qualified person in order to avoid a hazard.

 **WARNING:** Do Not Use Outdoors. Do Not Expose To Rain. Store Indoors.

---

The following information signals potentially dangerous conditions to the operator or equipment:

## FOR SAFETY:

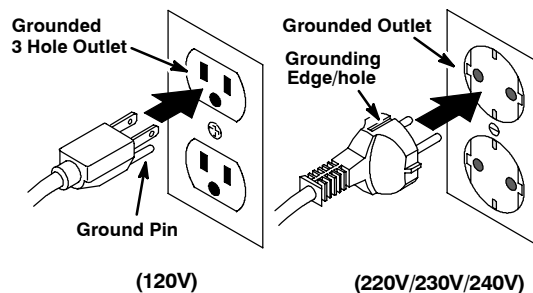
1. Do not operate machine:
  - With flammable liquids or near flammable vapors as an explosion or flash fire may occur.
  - Unless trained and authorized.
  - Unless operator manual is read and understood.
  - Unless cord is properly grounded.
  - With damaged cord or plug.
  - If not in proper operating condition.
  - In outdoor areas.
  - In standing water.
  - With the use of an extension cord (220/230/240V models).
  - With the use of additional extension cords. Only use manufacturer's extension cord equipped with machine which has proper capacity and is grounded (120V model).
2. Before operating machine:
  - Make sure all safety devices are in place and operate properly.
  - Place wet floor signs as needed.
3. When using machine:
  - Do not run machine over cord.
  - Do not pull machine by plug or cord.
  - Do not pull cord around sharp edges or corners.
  - Do not unplug by pulling on cord.
  - Do not stretch cord.
  - Do not handle plug with wet hands.
  - Keep cord away from heated surfaces.
  - Report machine damage or faulty operation immediately.
  - Follow mixing and handling instructions on chemical containers.
  - Never allow children to play on or around.
4. Before leaving or servicing machine:
  - Turn off machine.
  - Unplug cord from wall outlet.
5. When servicing machine:
  - Unplug cord from wall outlet.
  - Avoid moving parts. Do not wear loose jackets, shirts, or sleeves.
  - Use manufacturer supplied or approved replacement parts.
  - All repairs must be performed by a qualified service person.
  - Do not modify the machine from its original design.

## 6. When transporting machine:

- Get assistance when lifting machine.
- Unplug cord from wall outlet.
- Use tie-down straps to secure machine to truck or trailer.

## GROUNDING INSTRUCTIONS

Machine must be grounded. If it should malfunction or breakdown, grounding provides a path of least resistance for electrical current to reduce the risk of electrical shock. This machine is equipped with a cord having an equipment-grounding conductor and grounding plug. The plug must be plugged into an appropriate outlet that is properly installed in accordance with all local codes and ordinances. Do not remove ground pin; if missing, replace plug before use.



## SAFETY LABEL

The safety label appears on the machine in the location indicated. Replace label if it becomes damaged or illegible.



## WARNING LABEL -

Located on back side of machine.

<b>⚠ WARNING</b>	
<b>EXPLOSION, FIRE AND SHOCK HAZARD. AVOID INJURY.</b>	
<ul style="list-style-type: none"> <li>• Do Not Use or Pick Up Flammable Materials.</li> <li>• Do Not Use Near Flammable Liquids, Vapors or Combustible Dusts.</li> <li>• Do Not Operate With Damaged Power Cord. Do Not Modify Plug. Unplug Power Cord Before Servicing Machine.</li> <li>• Do Not Use Outdoors. Do Not Expose to Rain. Store Indoors.</li> </ul>	
<b>⚠ AVERTISSEMENT</b>	
<b>RISQUE D'EXPLOSION, D'INCENDIE ET DE DÉCHARGE. ÉVITEZ LES BLESSURES.</b>	
<ul style="list-style-type: none"> <li>• N'utilisez Pas ou Ne Ramassez Pas de Matériaux Inflammables.</li> <li>• N'utilisez Pas Près de Liquides, Vapeurs ou Poussières Inflammables.</li> <li>• N'utilisez Pas la Machine avec un Cordon d'Alimentation Endommagé. Ne Modifiez Pas la Prise. Débranchez le Cordon d'Alimentation Avant d'Entretien la Machine.</li> <li>• N'utilisez Pas en Extérieur. N'Exposez Pas à la Pluie. Entrezposez à l'Intérieur.</li> </ul>	
<b>⚠ ADVERTENCIA</b>	
<b>PELIGRO DE EXPLOSIÓN, FUEGO, DESCARGA EVITE LESIONES.</b>	
<ul style="list-style-type: none"> <li>• No Use Ó Recoja Materiales Flammables.</li> <li>• No Use Cerca De Líquidos Flammables, Vapores Ó Materiales Combustibles.</li> <li>• No Use Con Cable De Corriente Dañado. No Altere El Enchufe. Desconecte Cable De Corriente Antes Del Mantenimiento.</li> <li>• No Use Al Aire Libre. No Exponga A La Lluvia. Guarde Bajo Techo.</li> </ul>	
1026384	

# OPERATION

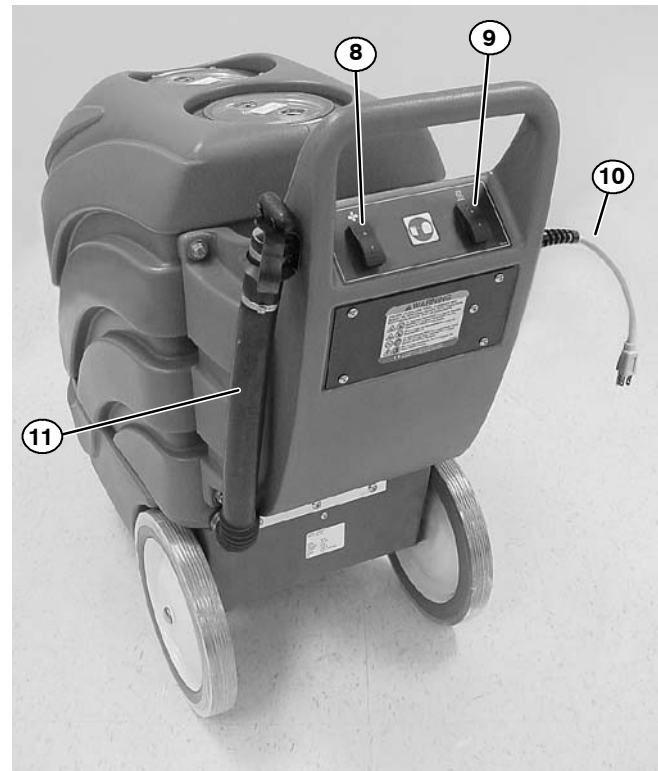
---

## MACHINE COMPONENTS

---



1. Recovery Tank
2. Solution Tank
3. Accessory Tool Vacuum Hose Hookup
4. Latches
5. Accessory Tool Solution Hose Quick Coupler
6. Casters
7. 305mm (12 in.) Stair Climbing Wheels



8. Vacuum ON/OFF Switch
9. Pump ON/OFF Switch
10. Power Supply Cord Pigtail (120V Model)
11. Recovery Tank Drain Hose

## MACHINE SETUP

1. Carefully check carton for signs of damage. Report damages at once to carrier. The machine is shipped fully assembled and is ready for use.
2. Unscrew and remove solution tank lid. Using a hose or bucket, fill tank with 57L (15 gal) of hot water, 60°C (140°F) maximum (Figure 1).

**ATTENTION: Use different buckets to fill and drain machine to prevent solution system clogs.**



FIG. 1

**⚠ WARNING: Do Not Use Flammable Liquids Or Operate Machine In Or Near Flammable Liquids, Vapors Or Combustible Dusts.**

3. Add a recommended cleaning solution to the proper dilution ratio.

**FOR SAFETY: When using machine, follow mixing and handling instructions on chemical containers.**

**ATTENTION: If using powdered cleaning chemicals, mix chemical with water prior to adding to the tank.**

**NOTE: If desired, water alone achieves excellent cleaning results.**

4. Replace solution tank lid after filling.
5. Plug machine's power cord into a grounded wall outlet (Figure 2).

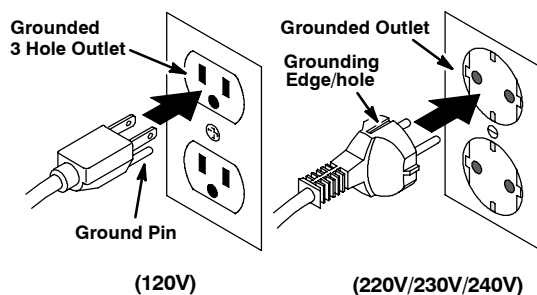


FIG. 2

**FOR SAFETY: Do not operate machine unless cord is properly grounded.**

**FOR SAFETY: (120V model) Do not operate machine with the use of additional extension cords. Only use manufacturer's extension cord equipped with machine which has proper capacity and is grounded.**

**FOR SAFETY: (220/230/240V models) Do not operate machine with the use of an extension cord.**

6. Connect accessory tool hoses to solution hose coupler and vacuum hose port located at front of machine (Figure 3).



FIG. 3

## OPERATING FLOOR TOOL

**FOR SAFETY: Do not operate machine unless operator manual is read and understood.**

**NOTE: Vacuum carpet before cleaning.**

1. Activate vacuum and pump switches.
2. Place floor tool so bottom of floor tool is parallel to floor. Squeeze trigger and apply downward pressure on floor tool head and slowly pull tool backwards using both hands. Release trigger 150mm (6 in) from end of stroke (Figure 4).

**⚠ WARNING: Do Not Pick Up Flammable Materials Or Reactive Metals.**



FIG. 4

## OPERATION

---

3. Push floor tool forward over same path with trigger released when returning for next stroke. Continue this pull and push method with a slight overlap of each stroke.

**NOTE:** For heavily soiled areas, repeat stroke or change angle of stroke.

4. Check for excessive foam buildup in recovery tank. Use a recommended foam control solution to prevent vacuum motor damage.

**ATTENTION: Excessive foam buildup will not activate the float shut-off screen. Vacuum motor damage may result.**

5. When finished cleaning, turn off switches and drain recovery tank (See DRAINING RECOVERY TANK).
6. After cleaning, relieve water pressure from accessory tool before disconnecting hose. Squeeze trigger for five seconds after turning off the machine.



FIG. 5

**⚠ WARNING: Do Not Pick Up Flammable Materials Or Reactive Metals.**

**ATTENTION: Do not allow water or foam to enter float shut-off screen in recovery tank.**

4. When finished cleaning, turn off switches and drain recovery tank (See DRAINING RECOVERY TANK).
5. After cleaning, relieve water pressure from accessory tool before disconnecting hose. Squeeze trigger for five seconds after turning off the machine.

---

## OPERATING HAND TOOL

---

*Optional accessory tool is required.*

**FOR SAFETY: Do not operate machine unless operator manual is read and understood.**

**NOTE:** This machine cleans most synthetic upholstery very well. Fabrics like Herculon and synthetic velvets will clean with excellent results. Extraction is not recommended for most cottons, silks, wools or natural fiber velvets. Check cleaning instructions sewn in furniture by manufacturer for further instructions. Extra caution should be taken with furniture that has been re-upholstered. Any material under new upholstery may bleed and discolor new fabric.

**NOTE:** Vacuum upholstery before cleaning.

1. **TEST FABRIC FOR COLORFASTNESS.** Pour a small amount of cleaning solution on a white cloth. Hold damp portion of cloth against an area of upholstery which is hidden from view. Hold it there for 60 seconds. If no color transfers to the cloth, it should be safe to clean. However, always use your best judgement.
2. Activate vacuum and pump switches.
3. Place hand tool on fabric and squeeze trigger while applying pressure on fabric and slowly pull tool backwards. Be careful not to over wet upholstery. Repeat stroke without spray to get fabric as dry as possible. Overlap cleaning strokes to avoid streaking (Figure 5).

---

## DRAINING TANKS

---

**FOR SAFETY: Before leaving or servicing machine, unplug power cord from wall outlet.**

**ATTENTION: Use different buckets to fill and drain machine to prevent solution system clogs.**

---

## DRAINING RECOVERY TANK

**NOTE:** When solution tank becomes empty, recovery tank must be drained.

1. Turn off machine and unplug power cord.
2. Remove drain hose from holder, position hose over floor drain and twist off knob to drain (Figure 6).



FIG. 6

3. Replace knob tightly before cleaning again.
4. After final draining, remove recovery tank lid and rinse both tank and float shut-off screen thoroughly to prevent odor buildup (Figure 9).

## DRAINING SOLUTION TANK

1. To drain remaining solution from solution tank, disconnect solution hose and attach bleeder hose (bleeder hose supplied with machine) (Figure 7).

**ATTENTION: Relieve water pressure from accessory tool before disconnecting hose. Squeeze trigger for five seconds after turning off the main power switch.**

2. Activate pump switch. Pump solution into an empty bucket (Figure 7).



FIG. 7

3. Rinse solution tank with clean water to prevent odor build up. Run vacuum motor for 30 seconds to discharge any moisture. Store extractor with covers off to promote air circulation.

## MACHINE MAINTENANCE

To keep machine in good working condition, simply follow machines daily, weekly and monthly maintenance procedures.

**FOR SAFETY: When servicing machine, unplug cord from wall outlet.**

For ease of servicing, machine tank is hinged to pivot away from chassis to allow access to inner components. Make sure tanks are empty before opening. To open extractor for servicing, follow these steps:

- a. Unplug extractor.
- b. Unlatch front two latches.
- c. Lift tank upward, away from chassis (Figure 8).



FIG. 8

## DAILY MAINTENANCE (Every 4 Hours of Use)

1. Clean machine with a nonabrasive, nonsolvent cleaner.
2. Drain and rinse tanks thoroughly.
3. Remove any lint buildup from float shut-off screen (Figure 9).



FIG. 9

4. Remove and rinse solution tank screen (Figure 10).



FIG. 10

5. Inspect power cord for damage. Replace if damaged. Coil cord neatly after each use.
6. Remove any lodged debris from floor tool.
7. Check spray pattern for clogged spray tips.

# OPERATION

---

## WEEKLY MAINTENANCE (Every 20 Hours of Use)

1. Check floor tool for loose shoes. If loose, tap back in place with rubber mallet.
2. Inspect vacuum hose for holes and loose cuffs.

## MONTHLY MAINTENANCE (Every 80 Hours of Use)

1. Inspect cord grip for damage. Replace if damaged. Coil cord neatly after each use.
2. Inspect tank for cracks.
3. Lubricate casters with a water resistance grease.
4. Remove spray tips from floor and hand tools and soak in an acetic acid solution.

**NOTE:** Do not use pins, paper clips, etc. to unplug spray tips. This will damage spray tips.

5. Flush pump system. Use acetic acid solution to dissolve normal alkaline chemical buildup. Follow these steps:

### FOR SAFETY: When using machine, follow mixing and handling instructions on chemical containers.

- a. Premix .5L (16 oz) of an acetic acid solution with 7.5L (2 gal) of hot water 60°C (140°F) and pour into solution tank.
- b. Place a bucket under spray tips to catch spray.
- c. Turn on pump switch.
- d. Squeeze trigger on tool for 30 seconds.
- e. Allow solution to remain in system for up to 6 hours in above freezing temperatures.
- f. Later, spray out acetic acid solution into a drain. Then run 11L (3 gal) of clean water through system to flush out impurities.

## QUARTERLY MAINTENANCE (Every 250 Hours of Use)

Inspect motors for carbon brush wear. Replace brushes when worn to a length of 10mm (0.38 in) or less. Contact an Authorized Service Center for carbon brush inspection.

**ATTENTION: Contact an Authorized Service Center for machine repairs. Machine repairs performed by other than an authorized person will void the warranty.**

## STORING MACHINE

---

1. Before storing machine, be certain to flush out tanks and drain machine of all water.
2. Store machine in a dry area in the upright position.
3. Remove clear lids to promote air circulation.


**⚠ WARNING: Do Not Use Outdoors. Do Not Expose To Rain. Store Indoors.**

**ATTENTION: If storing machine in freezing temperatures, be sure that machine and solution system are completely drained and dry.**

## RECOMMENDED STOCK ITEMS

---

Refer to Parts List section for recommended stock items. Stock Items are clearly identified with a bullet preceding the parts description. See example below:



Ref.	Part No.	Description	Qty.
1	701103	ASM., STANDPIPE	1
2	180618	•FLOAT, SHUTOFF	1
3	230197	NIPPLE	1
4	101714	•GASKET	1
5	210240	NUT, FLANGED	1

**TROUBLE SHOOTING**

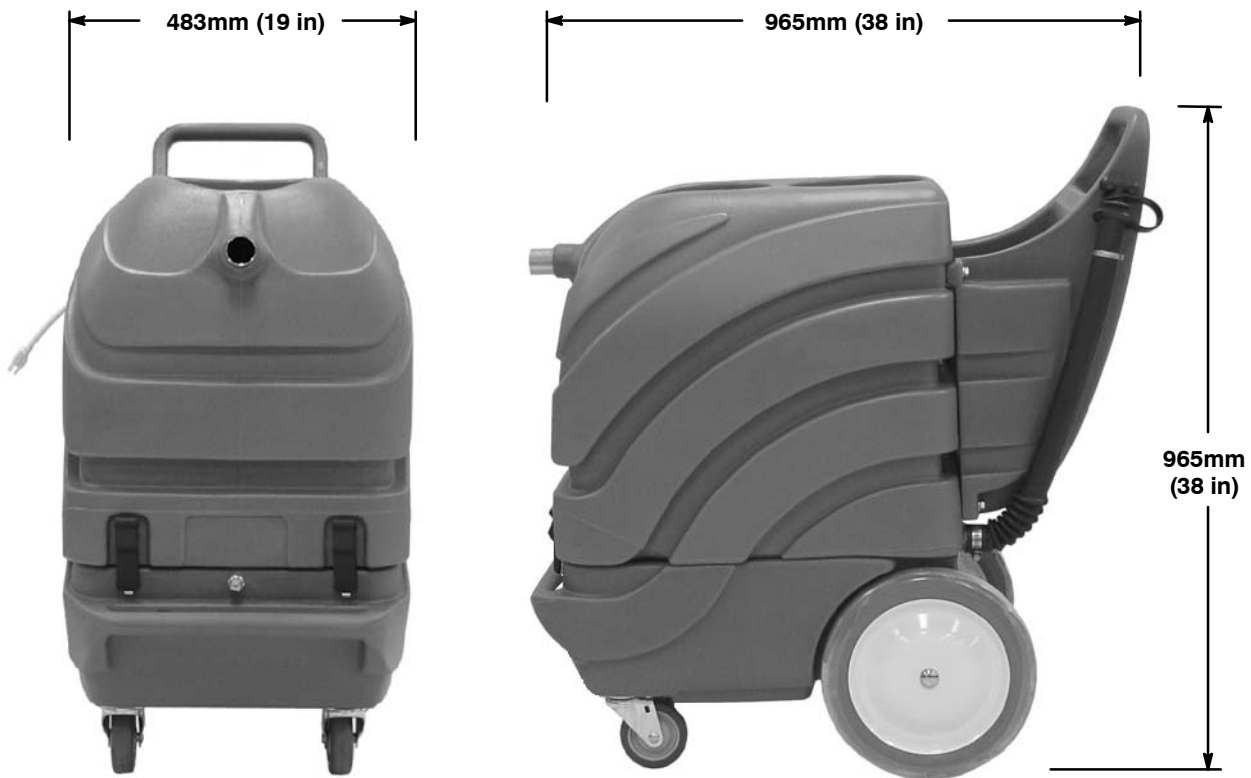
<b>PROBLEM</b>	<b>CAUSE</b>	<b>SOLUTION</b>
Uneven or no spray from tips.	Dirty or plugged spray tips.	Clean or replace tips.
	Improper tip size or improper spray angle.	Replace with proper tips. Also check alignment of spray tips. Spray tips should overlap one another.
	Worn spray tips.	Replace spray tips.
	Pump switch off.	Turn the pump switch on.
	Solution hose not connected.	Make sure solution hose is connected.
Leaking floor tool.	Quick coupler on floor tool faulty.	Replace quick coupler.
	Flow control valve leaking.	Contact Service Center.
	Hose split or fittings loose.	Replace hose and tighten fittings.
	Solution hose connection not fully engaged.	Reconnect quick coupler.
Solution pump will not operate.	Fuse blown or circuit breaker tripped in building.	Replace fuse or reset breaker in building..
	Faulty pump switch.	Contact Service Center.
	Loose wiring to solution pump.	Contact Service Center.
	Faulty solution pump.	Contact Service Center.
Poor or no vacuum suction.	Fuse blown or circuit breaker tripped in building.	Replace fuse or reset breaker in building.
	Faulty vacuum switch.	Contact Service Center.
	Drain hose plug open or loose.	Plug drain hose and tighten knob.
	Lint is clogging float shut-off screen.	Remove recovery lid and clean lint off screen.
	Air is leaking around clear cover lids.	Tighten tank lids.
	Vacuum hose is loose.	Push hose firmly onto recovery tool and onto front of extractor.
	Holes in vacuum hose or hose cuffs loose on the hose.	Replace hose or thread cuffs securely onto hose.
	Faulty vacuum motor.	Contact Service Center.
	Faulty vacuum gasket.	Replace gasket.
Float shut-off screen activated.	Turn off vacuum, empty tank.	

# OPERATION

## SPECIFICATIONS

MODEL	1120 (120V)	1120 (220V/230V/240V)
LENGTH	965 mm (38 in)	965 mm (38 in)
WIDTH	483 mm (19 in)	483 mm (19 in)
HEIGHT	965 mm (38 in)	965 mm (38 in)
WEIGHT	49.8 kg (110 lb)	49.8 kg (110 lb)
SOLUTION TANK CAPACITY	56.7 L (15 gal)	56.7 L (15 gal)
RECOVERY TANK CAPACITY	71.9 L (19 gal)	71.9 L (19 gal)
SOLUTION PUMP	1A, 120V, 6.81L per min. (1.8 gpm) 6.9 bar (100 psi) max.	.5 A, 230V, 6.81L per min. (1.8 gpm) 6.9 bar (100 psi) max.
VACUUM MOTOR	13 A, 1.66 hp. 120V, 1560 watts	6.8 A, 1.66 hp. 240V, 1632 watts
SEALED WATER LIFT	347.9 cm (137 in)	347.9 cm (137 in)
DECIBEL RATING AT OPERATOR'S EAR, INDOORS ON CARPET	82dB(A)	82dB(A)

## MACHINE DIMENSIONS



Este manual se incluye en todos los modelos nuevos. Proporciona la información necesaria para su utilización y mantenimiento.

**Lea todo el manual detenidamente para comprender la máquina antes de utilizarla o revisarla.**

Use la Lista de Piezas incluida en este manual al ordenar piezas de repuesto. Antes de ordenar piezas o suministros, asegúrese de tener el número de modelo y el número de serie de su máquina. Las piezas y los suministros pueden ordenarse por teléfono o por correo de cualquier centro autorizado de piezas y servicios, distribuidor de piezas o de cualquier subsidiaria del fabricante.

Esta máquina proporcionará un servicio excelente. Sin embargo, los mejores resultados se obtienen a un costo mínimo si:

- La máquina se opera con un cuidado razonable.
- La máquina se mantiene con regularidad, según las instrucciones de mantenimiento provistas.
- La máquina se mantiene con las piezas provistas por el fabricante o equivalentes.

## DATOS DE LA MÁQUINA

Por favor rellene estos datos en el momento de la instalación para utilizarlos como referencia en el futuro.

Nº Modelo- \_\_\_\_\_

Fecha de instal. - \_\_\_\_\_

Nº de serie de la máquina - \_\_\_\_\_



### PROTECCIÓN DEL MEDIO AMBIENTE

Deseche el material de embalaje, los componentes usados de la máquina como las baterías y los líquidos peligrosos como el anticongelante y el aceite, de forma segura para el medio ambiente, de acuerdo con las normativas o disposiciones locales.



No olvide reciclar.

# OPERACIÓN

---

## ÍNDICE

---

<b>MEDIDAS DE SEGURIDAD</b> .....	<b>15</b>	<b>LOCALIZACIÓN DE AVERÍAS</b> .....	<b>23</b>
INSTRUCCIONES DE CONEXION A TIERRA .....	16	<b>ESPECIFICACIONES</b> .....	<b>24</b>
<b>ETIQUETA DE SEGURIDAD</b> .....	<b>16</b>	<b>DIMENSIONES DE LA MÁQUINA</b> .....	<b>24</b>
<b>COMPONENTES DE LA MÁQUINA</b> .....	<b>17</b>	<b>DIAGRAMAS ELECTRICAS</b> .....	<b>37</b>
<b>PREPARACIÓN DE LA MÁQUINA</b> .....	<b>18</b>	<b>LISTA DE PIEZAS</b> .....	<b>38</b>
<b>OPERACION DE LA HERRAMIENTA DE PISO</b> .....	<b>19</b>	GRUPO DEL BASTIDOR SUPERIOR .....	38
<b>UTILIZACIÓN DEL ACCESORIO MANUAL</b> .....	<b>19</b>	GRUPO DEL BASTIDOR INFERIOR .....	40
<b>VACIADO DE LOS DEPÓSITOS</b> .....	<b>20</b>	GRUPO DEL MANGO .....	42
PARA VACIAR EL TANQUE DE RECUPERACIÓN .....	20	GRUPO DE TUBERÍAS .....	44
PARA VACIAR EL TANQUE DE SOLUCIÓN .....	20	CLASIFICCIÓN DE LA BOMBA .....	45
<b>MANTENIMIENTO DE LA MÁQUINA</b> .....	<b>20</b>	<b>OPCIONES</b> .....	<b>46</b>
MANTENIMIENTO DIARIO .....	21	HERRAMIENTA MANUAL .....	46
MANTENIMIENTO SEMANAL .....	21	HERRAMIENTA MANUAL HENDIDURAS ..	46
MANTENIMIENTO MENSUAL .....	21	HERRAMIENTA MANUAL, TAPICERIA BAJA PRESION .....	47
MANTENIMIENTO TRIMESTRAL .....	22	HERRAMIENTA DE PISO, BAJA PRESION 13 in / 330 mm .....	48
<b>ALMACENAMIENTO DE LA MÁQUINA</b> .....	<b>22</b>	HERRAMIENTA DE PISO, BAJA PRESION 16 in / 406 mm .....	50
<b>ARTÍCULOS RECOMENDADOS PARA MANTENER EN EXISTENCIA</b> .....	<b>22</b>	MANGUERAS DE DISOLUCIÓN Y ASPIRACIÓN .....	52

---

## MEDIDAS DE SEGURIDAD

---

Esta máquina está diseñada para el uso comercial. Se ha diseñado exclusivamente para limpiar alfombras y tapizados en un ambiente interior y no se fabrica para ningún otro uso. Use sólo herramientas de accesorios recomendados y limpiadores de alfombras comercialmente disponibles formulados para la aplicación de la máquina.

Todos los operadores deben leer, entender y practicar las precauciones siguientes de seguridad.

El siguiente símbolo de alerta de advertencia y el encabezamiento de "PARA SEGURIDAD" se usan en este manual como se indica en su descripción:

**⚠ ADVERTENCIA:** Para advertir de riesgos o prácticas inseguras que podrían resultar en lesiones personales graves o la muerte.

**PARA SEGURIDAD:** Para identificar acciones que deben seguirse para el funcionamiento seguro del equipo.

---

El no seguir estas advertencias puede resultar en: lesiones personales, electrocución, choque eléctrico, fuego o explosión.

**⚠ ADVERTENCIA:** No use líquidos inflamables ni opere la máquina en o cerca de líquidos y vapores inflamables o polvos combustibles.

Esta máquina no está equipada con motores a prueba de explosión. Los motores eléctricos emiten chispas al arrancar y durante el funcionamiento lo que podría causar un fuego explosivo o explosión si la máquina se usa en una área donde están presentes vapores/líquidos inflamables o polvos combustibles.

**⚠ ADVERTENCIA:** No aspire materiales inflamables o metales reactivos.

**⚠ ADVERTENCIA:** No opere con un cordón eléctrico dañado. No modifique el enchufe. Desenchufe el cordón eléctrico antes de reparar la máquina.

Si el cordón del suministro se daña o se rompe, debe ser reemplazado por el fabricante o su agente de servicio o una persona similarmente calificada para evitar un riesgo.

**⚠ ADVERTENCIA:** No use al aire libre o en superficies húmedas. No exponga a la lluvia. Almacén bajo techo.

La información siguiente señala condiciones potencialmente peligrosas para el operador o el equipo:

### PARA SEGURIDAD:

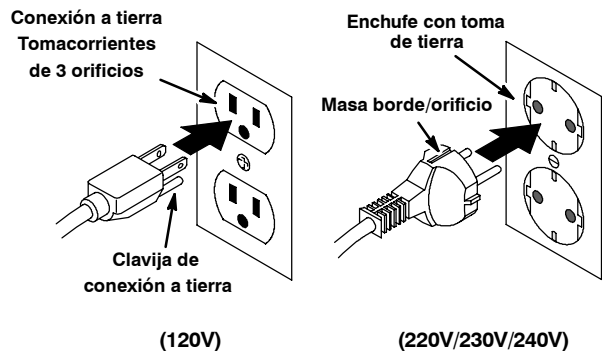
1. No opere la máquina:
  - Con líquidos inflamables o cerca de los vapores inflamables ya que puede ocurrir una explosión o fuego explosivo.
  - A menos que está capacitado y autorizado.
  - A menos que se haya leído y entendido el manual del funcionamiento.
  - A menos que el cordón se conecte apropiadamente a tierra.
  - Con un cordón o enchufe dañados.
  - Si no está en condición de ejecutar una operación apropiada.
  - En áreas al aire libre.
  - En agua estancada.
  - Sin bolsa del polvo en lugar (220/230/240V modelo).
  - Con cables alargadores adicionales. Utilice únicamente los alargadores proporcionados por el fabricante junto a la máquina para asegurarse de que presentan la capacidad y toma de tierra adecuadas (120V modelo).
2. Antes de arrancar la máquina:
  - Asegúrese que todos los dispositivos de seguridad están en su lugar y operando apropiadamente.
  - Coloque señales de piso húmedo según se necesite.
3. Al usar máquina:
  - No pase la máquina encima del cordón.
  - No tire de la máquina por el enchufe o el cordón.
  - Evite pasar el cable por bordes agudos o esquinas.
  - No desenchufe tirando del cordón.
  - No estire el cordón.
  - No maneje el enchufe con las manos húmedas.
  - Mantenga el cordón lejos de las superficies calientes.
  - Informe inmediatamente acerca de daños o un funcionamiento defectuoso.
  - Siga las instrucciones de mezcla y manejo indicados en los recipientes químicos.
  - Nunca permita que los niños jueguen en o alrededor de la máquina.

# OPERACIÓN

4. Antes de salir de o reparar la máquina:
  - Apague la máquina.
  - Desenchufe cordón del tomacorriente de la pared.
5. Al prestar servicio a la máquina:
  - Desenchufe cordón del tomacorriente de la pared.
  - Evite las piezas móviles. No use chaquetas, camisas, o mangas, holgadas.
  - Use piezas de repuesto provistas o aprobadas por el fabricante.
  - Todas las reparaciones deben ser realizadas por una persona de servicio calificada.
  - No modifique la máquina de su diseño original.
6. Al transportar máquina:
  - Obtenga ayuda al alzar la máquina.
  - Desenchufe cordón del tomacorriente de la pared.
  - Use correas de amarre para asegurar la máquina al camión o remolque.

## INSTRUCCIONES DE CONEXION A TIERRA

La máquina debe conectarse a tierra. En caso de mal funcionamiento o desarreglo, la conexión a tierra provee un recorrido de menor resistencia para la corriente eléctrica para reducir el riesgo de choque eléctrico. Esta máquina está equipada con un cordón con un conductor de conexión a tierra del equipo y enchufe de conexión a tierra. El enchufe debe enchufarse en un tomacorrientes apropiado correctamente instalado de acuerdo con todos los códigos y ordenanzas locales. No extraer la clavija de conexión a tierra; si falta, reemplazar el enchufe antes de usar.



## ETIQUETA DE SEGURIDAD

La etiqueta de seguridad aparece en la máquina en la localización indicada. Substituya la etiqueta si llega a ser dañada o ilegible.



## ETIQUETA DE SEGURIDAD –

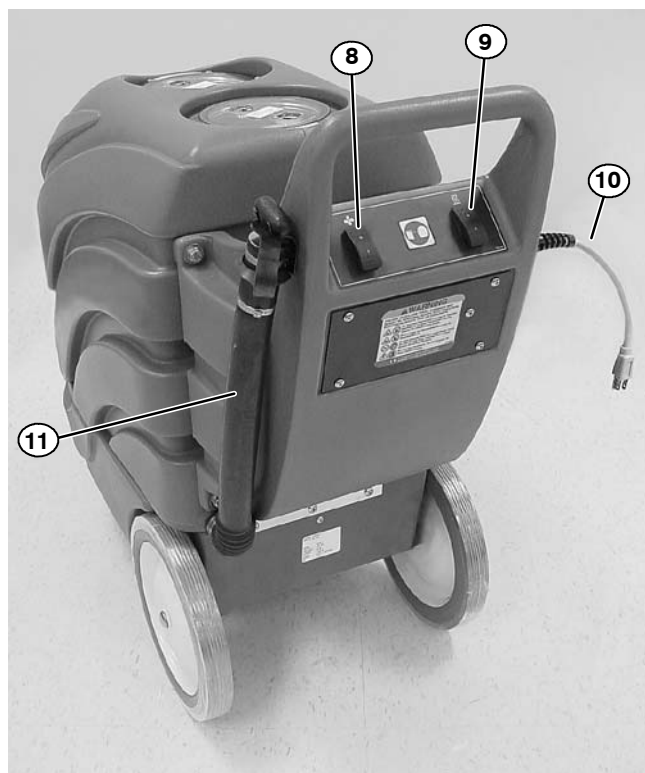
Situado en la parte trasera de la máquina.

<b>⚠ WARNING</b>			
<b>EXPLOSION, FIRE AND SHOCK HAZARD. AVOID INJURY.</b>			
<ul style="list-style-type: none"><li>• Do Not Use or Pick Up Flammable Materials.</li><li>• Do Not Use Near Flammable Liquids, Vapors or Combustible Dusts.</li><li>• Do Not Operate With Damaged Power Cord. Do Not Modify Plug. Unplug Power Cord Before Servicing Machine.</li><li>• Do Not Use Outdoors. Do Not Expose to Rain. Store Indoors.</li></ul>			
<b>⚠ AVERTISSEMENT</b>			
<b>RISQUE D'EXPLOSION, D'INCENDIE ET DE DÉCHARGE. ÉVITEZ LES BLESSURES.</b>			
<ul style="list-style-type: none"><li>• N'utilisez Pas ou Ne Ramassez Pas de Matériaux Inflammables.</li><li>• N'utilisez Pas Près de Liquides, Vapeurs ou Poussières Inflammables.</li><li>• N'utilisez Pas la Machine Avec un Cordon d'Alimentation Endommagé. Ne Modifiez Pas la Prise. Débranchez le Cordon d'Alimentation Avant d'Entretenir la Machine.</li><li>• N'utilisez Pas en Extérieur. N'Exposez Pas à la Pluie. Entrez à l'Intérieur.</li></ul>			
<b>⚠ ADVERTENCIA</b>			
<b>PELIGRO DE EXPLOSIÓN, FUEGO, DESCARGA EVITE LESIONES.</b>			
<ul style="list-style-type: none"><li>• No Use Ó Recoja Materiales Flamables.</li><li>• No Use Cerca De Líquidos Flamables, Vapores Ó Materiales Combustibles.</li><li>• No Use Con Cable De Corriente Dañado. No Altere El Enchufe. Desconecte Cable De Corriente Antes Del Mantenimiento.</li><li>• No Use Al Aire Libre. No Exponga A La Lluvia. Guarde Bajo Techo.</li></ul>			
			1026384

## COMPONENTES DE LA MÁQUINA



1. Tanque de recuperación
2. Tanque de solución
3. Gancho para la herramienta accesoria de la manguera de vacío
4. Pestillos
5. Gancho para la herramienta accesoria de la manguera de solución
6. Ruedas
7. Ruedas para subir escaleras de 305mm (12 pulg.)



8. Interruptor de ENCENDIDO/APAGADO de la aspiración
9. Interruptor de ENCENDIDO/APAGADO de la bomba
10. Cable flexible de alimentación
11. Manguera de drenaje del tanque de recuperación

# OPERACIÓN

## PREPARACIÓN DE LA MÁQUINA

1. Compruebe cuidadosamente si la caja de cartón está deteriorada. En caso de que encontrar cualquier desperfecto, informe inmediatamente al transportista. La máquina se entrega totalmente montada y lista para su utilización.
2. Destornille y retire la tapa del depósito de la disolución y llene dicho depósito con 15 galones/57 litros de agua caliente, a una temperatura máxima de 140°F/60°C (Figura 1).

**ATENCIÓN:** Utilice cubos diferentes para llenar y vaciar la máquina y evitar que el sistema de la disolución se bloquee.



FIG.1

**⚠ ADVERTENCIA:** No use líquidos inflamables ni opere la máquina en o cerca de líquidos y vapores inflamables o polvos combustibles.

3. Agregue una solución recomendada de limpieza a la relación apropiada de dilución.

**PARA SU SEGURIDAD:** Siga las instrucciones de mezcla y manipulación indicadas en los envases de los productos químicos cuando utilice la máquina.

**ATENCIÓN:** Si usa el polvo de limpieza, mezcla el polvo con agua antes de agregarlo al tanque.

**NOTA:** Si quiere, también se obtienen excelentes resultados utilizando únicamente agua.

4. Después de llenar vuelva a colocar la tapa del tanque de solución.
5. Enchufe el cordón a un tomacorrientes de pared conectado a tierra (Figura 2).

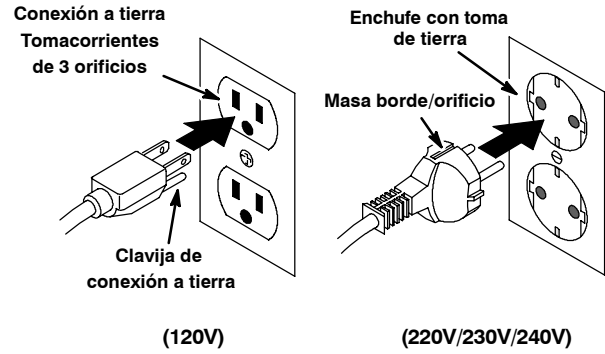


FIG. 2

**PARA SU SEGURIDAD:** No utilice la máquina salvo que el cable eléctrico tenga una toma de tierra que funcione correctamente.

**PARA SU SEGURIDAD: (120V Modelo)** No opere la máquina usando cordones de extensión adicionales. Use sólo el cordón de extensión del fabricante equipado con la máquina que tenga una capacidad apropiada y esté conectado a tierra.

**PARA SU SEGURIDAD: (220/230/240V Modelo)** No operar la máquina con el uso de un cordón de extensión.

6. Conecte las mangueras de las herramientas accesorias al acople de la manguera de solución y al orificio de la manguera de aspiración ubicados al frente de la máquina (Figura 3).



FIG. 3

## OPERACION DE LA HERRAMIENTA DE PISO

**PARA SU SEGURIDAD: No utilice la máquina salvo que el operario haya leído y comprendido el manual de instrucciones.**

**NOTA:** *Aspire la alfombra antes de limpiarla.*

1. Encienda los interruptores de aspiración y de la bomba.
2. Coloque el accesorio para pisos de tal forma que quede paralelo al piso. Apriete el disparador, empuje hacia abajo el accesorio para pisos y deslícelo lentamente hacia atrás con ambas manos. Suelte el disparador 15 cm (6 pulg.) antes de terminar cada pasada (Figura 4).

**⚠ ADVERTENCIA: No aspire materiales inflamables o metales reactivos.**



FIG. 4

3. Empuje el accesorio para pisos hacia adelante sobre la misma área que acaba de cubrir, sin apretar el disparador, hasta llegar al punto en que deba comenzar la siguiente pasada. Continúe con este método de deslizar hacia atrás y empujar hacia adelante, superponiendo un poco cada pasada a la anterior.

**NOTA:** *En áreas sumamente sucias, repita las pasadas o cambie el ángulo de las pasadas.*

4. Controle si existe formación excesiva de espuma en el depósito de recuperación. Utilice una disolución recomendada para controlar la formación de espuma y evitar averías del motor.

**ATENCIÓN: La excesiva formación de espuma evitará que el filtro de cierre del flotador se active. Esto podría causar la avería del motor de aspiración.**

5. Cuando haya terminado de limpiar, apague los interruptores y vacíe el tanque de recuperación. (Consulte PARA VACIAR EL TANQUE DE RECUPERACIÓN.)

6. Después de limpiar, disminuya la presión de agua de la herramienta accesoria antes de desconectar la manguera. Oprima el gatillo por cinco segundos después de apagar el conmutador de la electricidad principal.

## UTILIZACIÓN DEL ACCESORIO MANUAL

**Se requiere una herramienta accesoria adicional.**

**PARA SU SEGURIDAD: No utilice la máquina salvo que el operario haya leído y comprendido el manual de instrucciones.**

**NOTA:** *Esta máquina limpia la mayoría de la tapicería sintética. Las telas tales como Herculon y sintéticas se limpian con resultados excelentes. La limpieza de extracción no se recomienda para la mayoría de los algodones, sedas, lanas o terciopelos de fibra natural. Sea muy precavido al limpiar muebles retapizados ya que la tela debajo de la nueva tela puede desteñir y decolorar la nueva tela.*

**NOTA:** *Aspire el tapizado antes de limpiar.*

1. Revise la firmeza de los colores. Vace una pequeña cantidad de solución de limpieza en una tela blanca. Sostenga durante 60 segundos la parte húmeda de la tela contra alguna área oculta de tapicería. Si no se transfiere nada de color a la tela blanca, puede limpiar sin peligro. Sin embargo, siempre use su juicio.
2. Encienda los interruptores de aspiración y de la bomba.
3. Coloque la herramienta manual sobre la tela y oprima el gatillo al aplicar presión sobre la tela y empujar lentamente la herramienta hacia atrás. Sea precavido en no humedecer excesivamente el tapizado. Repita la carrera sin rociado para secar la tela tanto como sea posible. Superponga las carreras de limpieza para evitar estrías (Figura 5).



FIG. 5

**⚠ ADVERTENCIA: No aspire materiales inflamables o metales reactivos.**

# OPERACIÓN

---

**ATTENTION: No permita que el agua o la espuma se introduzcan en el filtro del flotador de cierre.**

4. Cuando haya terminado de limpiar, apague los interruptores y vacíe el tanque de recuperación. (Consulte PARA VACIAR EL TANQUE DE RECUPERACIÓN.)
5. Después de limpiar, disminuya la presión de agua de la herramienta accesoria antes de desconectar la manguera. Oprima el gatillo por cinco segundos después de apagar el conmutador de la electricidad principal.

---

## VACIADO DE LOS DEPÓSITOS

---

**PARA SEGURIDAD: Antes de dejar o prestar servicio a la máquina, desenchufar el cordón del tomacorrientes de la pared.**

**ATENCIÓN: Utilice cubos diferentes para llenar y vaciar la máquina y evitar que el sistema de la disolución se bloquee.**

---

## PARA VACIAR EL TANQUE DE RECUPERACIÓN

**NOTA:** Cuando el tanque de solución limpia está vacío, debe vaciar el tanque de recuperación.

1. Apague la máquina y desenchufe el cable eléctrico.
2. Quite la manguera de descarga de su soporte, coloque la manguera sobre el desagüe y destornille el tapón roscado para vaciar la solución (Figura 6).



FIG. 6

3. Vuelva a colocar el tapón roscado y apriételo con firmeza antes de volver a limpiar.
4. Cuando vacíe el tanque de recuperación por última vez, quite la cubierta transparente posterior y enjuague completamente tanto el tanque como la malla del flotador de cierre para evitar malos olores (Figura 9).

---

## PARA VACIAR EL TANQUE DE SOLUCIÓN

1. Para vaciar el resto de la solución del tanque de solución, desconecte la manguera de solución y conecte la manguera de purga (la manguera de purga se entrega junto con la máquina) (Figura 7).

**ATENCIÓN: Disminuya la presión de agua de la herramienta accesoria antes de desconectar la manguera. Oprima el gatillo por cinco segundos después de apagar el conmutador de la electricidad principal.**

2. Encienda el interruptor de la bomba. Bombee la solución a un recipiente vacío (Figura 7).



FIG. 7

3. Enjuague el tanque de solución con agua limpia para evitar la acumulación de malos olores. Dje funcionar el motor de aspiración durante 30 segundos para dejar salir toda humedad. almacene el extractor sin las cubiertas para permitir que circule el aire.

---

## MANTENIMIENTO DE LA MÁQUINA

---

Para mantener la máquina en buenas condiciones de servicio, simplemente cumpla con los procedimientos de mantenimiento diario, semanal y mensual.

**PARA SU SEGURIDAD: Al revisar la máquina, desconecte el cable eléctrico del enchufe de la pared.**

Para facilitar el servicio, el tanque del extractor tiene bisagras para abrirlo pivoteándolo hacia fuera y dejar libre el acceso a los componentes internos. Para abrir el extractor para darle servicio, haga lo siguiente:

- a. Desconecte el extractor.
- b. Abra los dos pestillos delanteros.
- c. Levante la parte delantera del tanque hacia arriba, separándolo del chasis (Figura 8).



FIG. 8

## MANTENIMIENTO DIARIO (Cada 4 horas de uso)

1. Limpie la máquina con un limpiador no abrasivo que no contenga disolventes.
2. Vacíe y limpie a fondo los depósitos.
3. Elimine cualquier acumulación de pelusa de la malla del flotador de cierre (Figura 9).



FIG. 9

4. Retire las fibras de moqueta y restos que pueda haber enredados en el cepillo (Figura 10).



FIG. 10

5. Controle si el cable o su soporte están deteriorados. Sustituya los si mostraran daños. Guarde el cable enrollado después de cada uso.
6. Quite cualquier desperdicio que esté atorado en el accesorio para pisos - use un gancho para ropa.
7. Revise el rocío, para ver si hay la punta rociadora está tapada.

## MANTENIMIENTO SEMANAL (Cada 20 horas de uso)

1. Revise la herramienta del piso para los zapatos flojos. Si esta flojo, golpee ligeramente detrás con el mazo de goma.
2. Revise si la manguera de aspiración tiene orificios o puños sueltos.

## MANTENIMIENTO MENSUAL (Cada 80 horas de uso)

1. Revise si el enchufe macho del cable de corriente está dañado. Sustituya los si mostraran daños. Guarde el cable enrollado después de cada uso.
  2. Revise si el tanque está agrietado.
  3. Lubrique las rueditas orientables con grasa resistente al agua.
  4. Quite las extremidades del aerosol de las herramientas del piso y de la mano y empápelas en una solución del ácido acético.
- NOTA:** No use alfileres, horquillas, etc. para destapar la punta rociadora ya que pueden la dañar.
5. Enjuague el sistema de bombeo: Use una solución de ácido acético para disolver la acumulación normal de depósitos alcalinos. Haga lo siguiente:

### PARA SU SEGURIDAD: Siga las instrucciones de mezcla y manipulación indicadas en los envases de los productos químicos cuando utilice la máquina.

- a. Mezcle .5 litros (16 oz.) de solución de ácido acético con 7,5 litros (2 gal) de agua caliente (temperatura máxima: 60°C (140°F) y viértala en el depósito de la disolución.
- b. Sostenga un recipiente bajo la punta rociadora para recoger la solución.
- c. Encienda el interruptor de la bomba.
- d. Oprima el disparador en el accesorio durante 30 segundos.
- e. Deje que la solución permanezca en el sistema hasta 6 horas a una temperatura superior a la temperatura de congelación.

# OPERACIÓN

- f. Más tarde, rocíe la solución restante de ácido acético en un desagüe o sumidero. Luego deje correr 11 litros (tres galones) de agua limpia a través del sistema para lavar las impurezas.

## MANTENIMIENTO TRIMESTRAL (Cada 250 horas de uso)

Controle el desgaste del cepillo de carbono del eje de transmisión, de los motores de aspiración y del cepillo, sustituya los cepillos cuando la longitud de sus cerdas sea igual o inferior a 10mm (0,38 pulg.). Póngase en contacto con el Centro de servicio autorizado para el mantenimiento de los motores.

**ATENCIÓN:** Pongase en contacto con un Centro de Servicio autorizado para reparar las máquinas. Las reparaciones de máquinas realizadas por personas no autorizadas invalidarán la garantía.

## ALMACENAMIENTO DE LA MÁQUINA

1. Asegúrese de drenar y enjuagar el tanque de todo el agua, antes de almacenar la máquina.
2. Almacene la máquina en un área seca en posición vertical.
3. Abra la cubierta del tanque de recuperación para facilitar la circulación del aire.

**⚠ ADVERTENCIA:** No use al aire libre o en superficies húmedas. No exponga a la lluvia. Almacén bajo techo.

**ATENCIÓN:** Asegúrese que la máquina y el sistema de solución estén completamente drenados y secos, si almacena la máquina a temperaturas de congelación.

## ARTÍCULOS RECOMENDADOS PARA MANTENER EN EXISTENCIA

Refiérase a la sección de Lista de Piezas para los artículos recomendados en existencia. Los artículos en existencia están claramente identificados con una bola precediendo a la descripción de las piezas. Vea el ejemplo de abajo:

Ref.	Part No.	Description	Qty.
1	701105	ASM.,STANDPIPE	1
2	180613	●FLOAT, SHUTOFF	1
3	230187	NIPPLE	1
4	101714	●GASKET	1
5	210240	NUT, FLANGED	1

**LOCALIZACIÓN DE AVERÍAS**

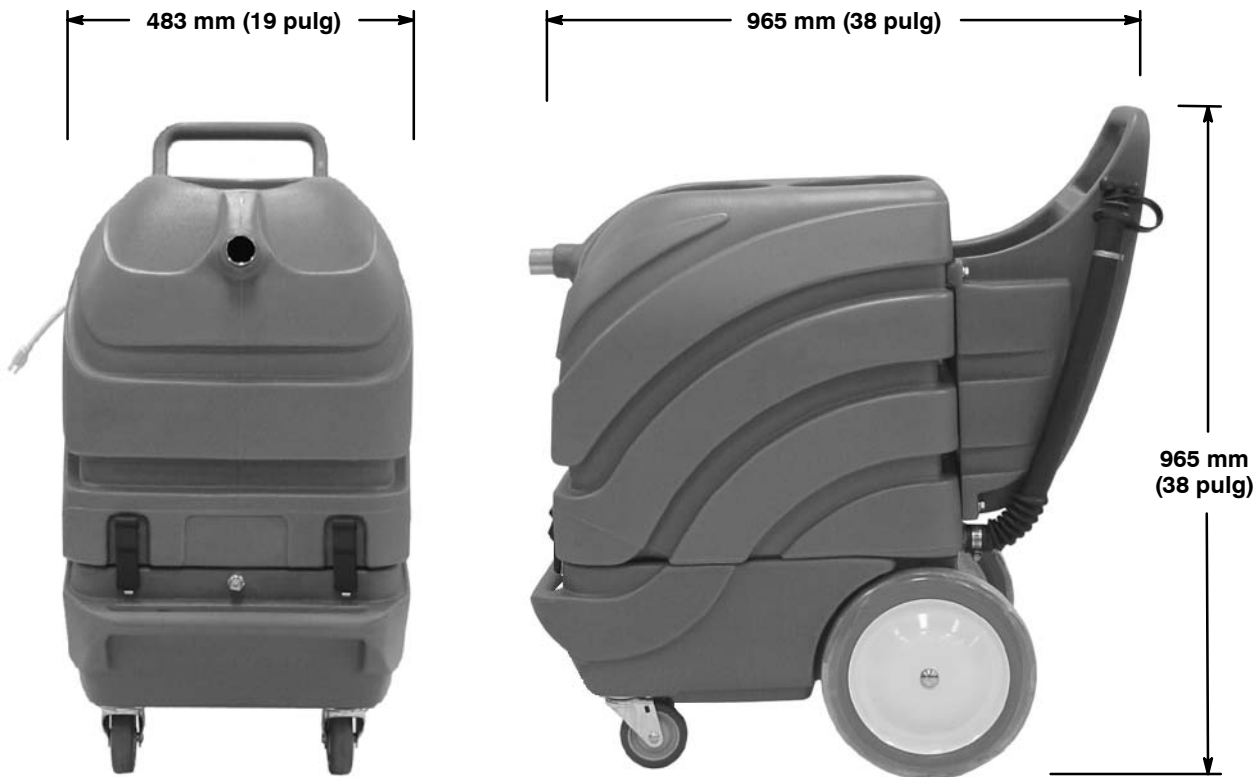
<b>PROBLEMA</b>	<b>CAUSA</b>	<b>SOLUCIÓN</b>
La punta rociadora no rocía o el rocío es desigual.	La punta rociadora está sucia o tapada.	Limpie o cambie la punta rociadora.
	La punta rociadora es del tamaño.	Cambie a la punta rociadora apropiada. Revise la alineación de la punta rociadora de tal forma que rocíe en línea recta.
	La punta rociadora está desgastada.	Cambie la punta rociadora.
	El interruptor de la bomba está apagado.	Coloque el interruptor de la bomba en la posición de encendido.
	La manguera de solución no está conectada.	Asegúrese de que la manguera de solución esté conectada.
Escape de la herramienta del piso.	El acoplador rápido en la herramienta del piso es defectuoso.	Substituya el acoplador rápido.
	La válvula de control de flujo se está escapando.	Contactar con el Servicio Técnico.
	La manguera está partida o las guarniciones estan flojas.	Substituya la manguera y apriete las guarniciones.
	La conexión de la manguera de solución no esta conectada completamente.	Vuelva a conectar el acoplador rápido.
La bomba de solución no funciona.	El fusible está quemado o el sortacircuitos automático se abrió en el edificio.	Cambie el fusible o restablezca el cortacircuitos.
	El interruptor de la bomba está defectuoso.	Contactar con el Servicio Técnico.
	El cableado al motor de la bomba está defectuoso.	Contactar con el Servicio Técnico.
	La bomba de solución está defectuoso.	Contactar con el Servicio Técnico.
No hay succión o es muy baja.	El fusible está quemado o el sortacircuitos automático se abrió en el edificio.	Cambie el fusible o restablezca el cortacircuitos.
	El interruptor de aspiración está defectuoso.	Contactar con el Servicio Técnico.
	El tapón de la manguera de descarga está abierto o suelto.	Tape la manguera de descarga.
	Hay pelusa tapando la malla del flotador de cierre.	Quite la cubierta del tanque de recuperación y limpie la pelusa de la malla.
	El aire se está filtrando alrededor de las cubiertas.	Apriete las cubiertas del tanque de recuperación y del tanque de solución.
	La manguera de aspiración está suelta.	Empuje la manguera con firmeza dentro del accesorio y dentro de la parte delantera del extractor.
	La manguera de aspiración tiene orificios o los puños están sueltos.	Cambie la manguera o atornillo los puños con firmeza en la manguera.
	El motor de aspiración está defectuoso.	Contactar con el Servicio Técnico.
	El empaque, o junta obturadora, del motor de aspiración está defectuoso.	Cambie el junta.
	El flotador de cierre se activo.	Apague aparato y vacie el tanque.

# OPERACIÓN

## ESPECIFICACIONES

Modelo	1120 (120V)	1120 (220V/230V/240V)
LONGITUD	965mm (38 pulg.)	965mm (38 pulg.)
ANCHURA	483mm (19 pulg.)	483mm (19 pulg.)
ALTURA	965mm (38 pulg.)	965mm (38 pulg.)
PESO	49.8 kg (110 lb)	49.8 kg (110 lb)
CAPACIDAD DEL DEPÓSITO DE LA DISOLUCIÓN	56.7L (15 gal)	56.7L (15 gal)
CAPACIDAD DEL DEPÓSITO DE RECUPERACIÓN	71.9L (19 gal)	71.9L (19 gal)
BOMBA DE LA DISOLUCIÓN	1A, 120V, 6.81L por min. (1.8 gpm) 6.9 bar (100 psi) max.	.5 A, 230V, 6.81L por min. (1.8 gpm) 6.9 bar (100 psi) max.
MOTOR DE ASPIRACIÓN	13 A, 1.66 hp. 120V, 1560 watts	6.8 A, 1.66 hp. 240V, 1632 watts
ELEVACIÓN SELLADA DE AGUA	347.9 cm (137 pulg.)	347.9 cm (137 pulg.)
DECIBELIOS A LA ALTURA DEL OPERARIO EN RECINTO CERRADO CON SUELO ENMOQUETADO.	82dB(A)	82dB(A)

## DIMENSIONES DE LA MÁQUINA



Ce manuel est fourni avec chaque nouveau modèle. Il fournit les instructions nécessaires au fonctionnement et à l'entretien.

**Lisez complètement ce manuel et familiarisez-vous avec la machine avant de l'utiliser ou de l'entretenir.**

Une liste complète de pièces détachées avec illustrations accompagne également chaque nouveau modèle. Utilisez la liste de pièces détachées pour commander des pièces de rechange. Avant de commander des pièces ou des fournitures, soyez sûr d'avoir avec vous le numéro de modèle de la machine et le numéro de série. Les pièces et les fournitures se commandent par téléphone ou par courrier auprès de tout centre de dépannage agréé, de tout distributeur ou de l'une des filiales du fabricant.

Cette machine vous fournira d'excellents services. Toutefois, vous obtiendrez les meilleurs résultats pour un prix de revient minimum si:

- La machine est manipulée avec un certain soin.
- La machine fait l'objet d'un entretien régulier conformément aux instructions d'entretien de ce manuel.
- L'entretien de la machine est effectué avec des pièces fournies par le fabricant ou des pièces équivalentes.

## DONNÉES DE LA MACHINE

A remplir au moment de l'installation à titre de référence.

Modèle n° \_\_\_\_\_

Date d'installation - \_\_\_\_\_

N° série - \_\_\_\_\_



### PROTECTION DE L'ENVIRONNEMENT

Veillez éliminer les matériaux d'emballage, les composants d'anciennes machines comme les batteries, les fluides dangereux tels que l'antigel ou l'huile, d'une manière sûre au point de vue environnemental, suivant la réglementation locale en vigueur en matière d'élimination des déchets.



N'oubliez pas de toujours recycler.

## TABLE DES MATIÈRES

---

<b>MESURES DE SÉCURITÉ</b> .....	<b>27</b>	<b>DÉPISTAGE DES PANNES</b> .....	<b>35</b>
INSTRUCTIONS DE MISE À LA TERRE ...	28	<b>DONNÉES TECHNIQUES</b> .....	<b>36</b>
<b>ÉTIQUETTE DE MISE EN GARDE</b> .....	<b>28</b>	<b>DIMENSIONS DE LA MACHINE</b> .....	<b>36</b>
<b>COMPOSANTS DE LA MACHINE</b> .....	<b>29</b>	<b>SYSTÈM ÉLECTRIQUE</b> .....	<b>37</b>
<b>MISE EN SERVICE DE LA MACHINE</b> .....	<b>30</b>	<b>LISTE DES PIÈCES</b> .....	<b>38</b>
<b>UTILISATION DE L'OUTIL DE SOL</b> .....	<b>31</b>	PARTIE DU SUPÉRIEURE .....	38
<b>UTILISATION DE L'OUTIL À MAIN</b> .....	<b>31</b>	PARTIE DU INFÉRIEURE .....	40
<b>VIDANGE DES RÉSERVOIRS</b> .....	<b>32</b>	GROUPE POIGNEE .....	42
VIDANGE DU RÉSERVOIR		GROUPE DE TUYAUTERIE .....	44
DE RÉCUPÉRATION .....	32	ENSEMBLE DE LA BROSSE .....	45
VIDANGE DU RÉSERVOIR DE SOLUTION .	32	<b>ÉQUIPEMENT AU CHOIX</b> .....	<b>46</b>
<b>ENTRETIEN DE LA MACHINE</b> .....	<b>33</b>	OUTIL A MAIN, 5 in / 127 mm .....	46
ENTRETIEN QUOTIDIEN .....	33	OUTIL POUR FISSURES, 3 in / 76 mm ....	46
ENTRETIEN HEBDOMADAIRE .....	33	OUTIL À MAIN À BASSE PRESSION POUR	
ENTRETIEN MENSUEL .....	33	TISSUS D'AMEUBLEMENT .....	47
ENTRETIEN TRIMESTRIEL .....	34	OUTIL DE SOL À BASSE	
<b>ENTREPOSAGE DE LA MACHINE</b> .....	<b>34</b>	PRESSION 13 in / 330 mm .....	48
<b>ARTICLES DE STOCK RECOMMANDÉS</b> .....	<b>34</b>	OUTIL DE SOL À BASSE	
		PRESSION 16 in / 406 mm .....	50
		TUYAUX DE SOLUTION ET D'EXTRACTION	52

## MESURES DE SÉCURITÉ

Cette machine est conçue pour un usage commercial. Elle est destinée exclusivement au nettoyage des moquettes et tissus d'ameublement dans un environnement intérieur et ne convient pas à un quelconque autre usage. Utilisez uniquement des accessoires et des produits nettoyeurs pour moquettes disponibles dans le commerce, prévus pour l'utilisation de la machine.

Tous les opérateurs sont tenus de lire et comprendre les consignes de sécurité suivantes et de se familiariser avec celles-ci.

Le symbole de mise en garde suivant et l'en-tête « POUR VOTRE SECURITE » sont utilisés tout au long de ce manuel comme indiqué dans leur description:

**⚠ MISE EN GARDE:** identifie la présence de dangers ou les opérations dangereuses susceptibles de blesser grièvement ou de provoquer la mort.

**POUR VOTRE SECURITÉ:** identifie les instructions qui doivent être suivies afin de garantir la sécurité lors de l'utilisation de l'équipement.

Le fait d'ignorer ces avertissements peut entraîner : des blessures personnelles, une électrocution, un choc électrique, un incendie ou une explosion.

**⚠ MISE EN GARDE:** N'utilisez pas de liquides inflammables ou n'utilisez pas la machine dans ou près de liquides ou vapeurs inflammables ou poussières combustibles.

Cette machine n'est pas équipée de moteurs protégés contre les explosions. Les moteurs électriques émettent des étincelles au moment du démarrage et pendant leur fonctionnement, ce qui peut entraîner un incendie instantané ou une explosion si la machine est utilisée dans une zone où des vapeurs/liquides inflammables ou des poussières combustibles, sont présents.

**⚠ MISE EN GARDE:** Ne ramassez pas de matériaux inflammables ou de métaux réactifs.

**⚠ MISE EN GARDE:** N'utilisez pas la machine avec un cordon d'alimentation endommagé. Ne modifiez pas la prise. Débranchez le cordon d'alimentation avant d'entretenir la machine.

Si le cordon d'alimentation est endommagé ou rompu, il doit être remplacé par le fabricant ou son agent de maintenance ou toute autre personne qualifiée, afin d'éviter tout danger.

**⚠ MISE EN GARDE:** N'utilisez pas en extérieur. N'exposez pas à la pluie. Entrez à l'intérieur.

Les signaux d'information ci-après indiquent les situations potentiellement dangereuses pour l'opérateur ou l'équipement:

**POUR VOTRE SECURITÉ:**

1. N'utilisez pas la machine:
  - avec des liquides inflammables ou près de vapeurs inflammables, afin d'éviter le risque d'explosion ou d'incendie instantané.
  - Si vous n'y êtes pas formé et autorisé.
  - Avant d'avoir lu et compris le manuel opérateur.
  - Si le cordon n'est pas correctement relié à la terre.
  - Avec des cordons ou prises endommagés.
  - Si elle n'est pas en bon état de marche.
  - À l'extérieur.
  - Dans l'eau stagnante.
  - Avec l'utilisation d'une rallonge (modèles 220 / 230 / 240 V).
  - Avec des rallonges de cordons supplémentaires. Utilisez uniquement les rallonges de cordons équipées avec la machine ; celles-ci possèdent la capacité adéquate et sont reliées à la terre (modèle 120 V).
2. Avant d'utiliser la machine:
  - Assurez-vous que tous les dispositifs de sécurité se trouvent à leur place et fonctionnent correctement.
  - Placez les signes SOL HUMIDE si nécessaire.
3. Lors de l'utilisation de la machine:
  - Ne roulez pas sur le cordon avec l'appareil.
  - Ne tirez pas la machine par la prise ou le cordon.
  - Ne tirez pas le cordon près des bords ou des coins vifs.
  - Ne débranchez pas l'appareil en tirant sur le cordon.
  - N'étirez pas le cordon.
  - Ne manipulez pas la prise avec des mains mouillées.
  - Éloignez le cordon des surfaces chaudes.

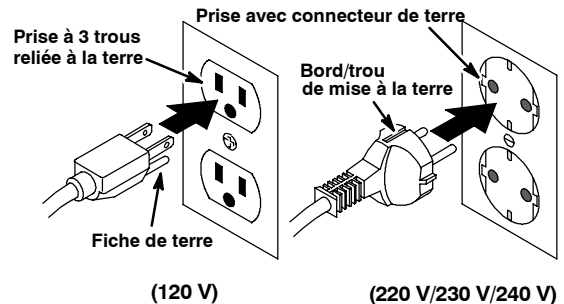
## FONCTIONNEMENT

- Signalez immédiatement tout dommage occasionné à la machine ou tout mauvais fonctionnement.
  - Suivez les instructions de mélange et de manipulation indiquées sur les conteneurs chimiques.
  - Empêchez les enfants de jouer à proximité de la machine.
4. Avant de quitter ou d'entretenir la machine:
- Coupez le contact de la machine.
  - Débranchez le cordon de la prise murale.
5. Lors de l'entretien de la machine:
- Débranchez le cordon de la prise murale.
  - Évitez les pièces mobiles. Ne portez pas de veste ou de chemise large ou de manches amples.
  - Utilisez des pièces de rechanges fournies ou agréées par le fabricant.
  - Toutes les réparations doivent être effectuées uniquement par un technicien qualifié.
  - Ne modifiez pas le design d'origine de la machine.
6. Lors du transport de la machine:
- Demandez de l'aide pour soulever la machine.
  - Débranchez le cordon de la prise murale.

- Utilisez des sangles pour arrimer la machine sur le camion ou la remorque.

## INSTRUCTIONS DE MISE À LA TERRE

La machine doit être mise à la terre. En cas de dysfonctionnement ou de panne, la mise à la terre offre une voie de moindre résistance au courant électrique, afin de réduire le risque de décharge électrique. Cette machine est équipée d'un cordon muni d'un conducteur de terre principale et d'une fiche avec mise à la terre. La fiche doit être branchée sur une prise appropriée montée correctement, conformément aux réglementations et codes en vigueur au niveau local. Ne supprimez pas la fiche de mise à la terre ; si celle-ci manque, remplacez la prise avant d'utiliser la machine.



## ÉTIQUETTE DE MISE EN GARDE

L'étiquette de mise en garde apparaît sur la machine à l'emplacement indiqué. Remplacez l'étiquette lorsqu'elle est endommagée ou qu'elle devient illisible.



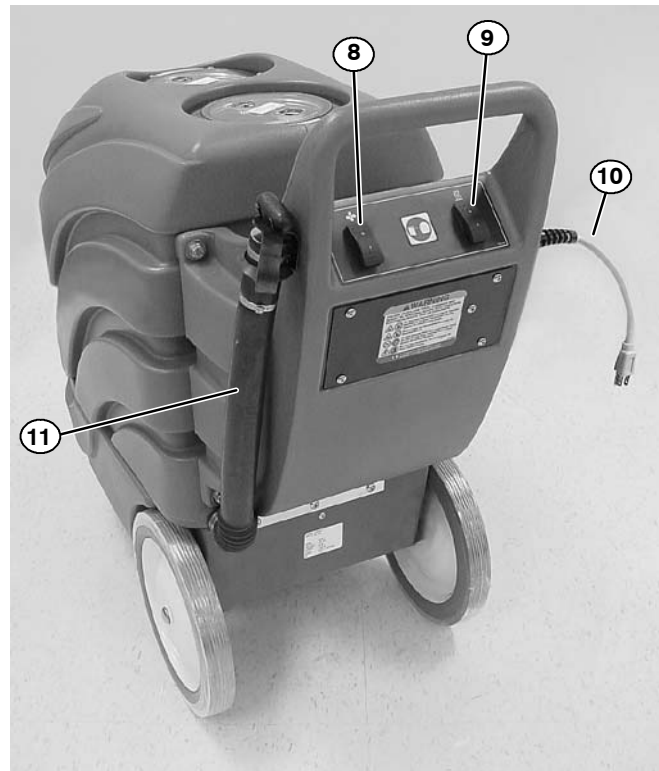
## ÉTIQUETTE MISE EN GARDE - Située au dos de la machine.

⚠ WARNING	
	
	
EXPLOSION, FIRE AND SHOCK HAZARD. AVOID INJURY.	
• Do Not Use or Pick Up Flammable Materials.	
• Do Not Use Near Flammable Liquids, Vapors or Combustible Dusts.	
• Do Not Operate With Damaged Power Cord. Do Not Modify Plug. Unplug Power Cord Before Servicing Machine.	
• Do Not Use Outdoors. Do Not Expose to Rain. Store Indoors.	
⚠ AVERTISSEMENT	
RISQUE D'EXPLOSION, D'INCENDIE ET DE DÉCHARGE. ÉVITEZ LES BLESSURES.	
• N'utilisez Pas ou Ne Ramassez Pas de Matériaux Inflammables.	
• N'utilisez Pas Près de Liquides, Vapeurs ou Poussières Inflammables.	
• N'utilisez Pas la Machine Avec un Cordon d'Alimentation Endommagé. Ne Modifiez Pas la Prise. Débranchez le Cordon d'Alimentation Avant d'Entretenir la Machine.	
• N'utilisez Pas en Extérieur. N'Exposez Pas à la Pluie. Entrez à l'Intérieur.	
⚠ ADVERTENCIA	
PELIGRO DE EXPLOSIÓN, FUEGO, DESCARGA EVITE LESIONES.	
• No Use Ó Recoja Materiales Flamables.	
• No Use Cerca De Líquidos Flamables, Vapores Ó Materiales Combustibles.	
• No Use Con Cable De Corriente Dañado. No Altere El Enchufe. Desconecte Cable De Corriente Antes Del Mantenimiento.	
• No Use Al Aire Libre. No Exponga A La Lluvia. Guarde Bajo Techo.	
1026384	

## COMPOSANTS DE LA MACHINE



1. Réservoir de récupération
2. Réservoir de solution
3. Crochet d'attache du tuyau d'aspiration de l'accessoire
4. Loquets
5. Crochet d'attache du tuyau de solution de l'accessoire  
Raccord rapide
6. Roulettes
7. Roulettes de montée d'escalier 305 mm



8. Interrupteur Marche/Arrêt d'extracteur
9. Interrupteur Marche/Arrêt de pompe
10. Toron de raccordement d'alimentation électrique (modèle 120 V)
11. Tuyau de vidange du réservoir de récupération

## MISE EN SERVICE DE LA MACHINE

1. Vérifiez soigneusement si le carton ne présente pas de dommages. Signalez immédiatement tout dommage au transporteur. La machine est expédiée complètement assemblée et elle est prête à l'emploi.
2. Dévissez et retirez le couvercle du réservoir de solution. À l'aide d'un tuyau ou d'un seau, remplissez le réservoir de 57L (15 gal) d'eau chaude, à une température maximale de 60°C (140°F) (Figure 1).

**ATTENTION:** Utilisez différents seaux pour remplir et pour vider la machine, afin d'éviter l'obstruction du système de solution.



FIG. 1

**⚠ MISE EN GARDE:** N'utilisez pas de liquides inflammables ou n'utilisez pas la machine dans ou près de liquides ou vapeurs inflammables ou poussières combustibles.

3. Ajoutez une solution de nettoyage recommandée au dosage de dilution approprié.

**POUR VOTRE SECURITÉ:** lorsque vous utilisez la machine, suivez les instructions de mélange et de manipulation indiquées sur les conteneurs chimiques.

**ATTENTION:** Si vous utilisez des produits chimiques en poudre, mélangez les produits avec de l'eau avant de les verser dans le réservoir.

**REMARQUE:** Si vous le souhaitez, utilisez de l'eau uniquement: vous obtiendrez un excellent résultat.

4. Après le remplissage, remplacez le couvercle du réservoir de solution.

5. Branchez le cordon d'alimentation de la machine sur une prise murale reliée à la terre (Figure 2).

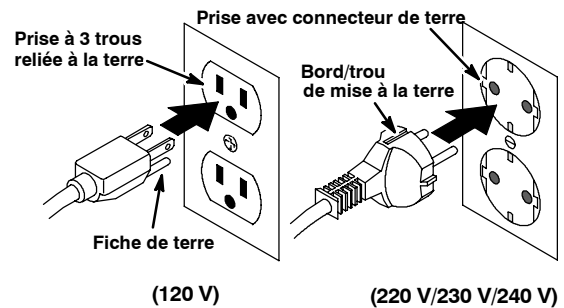


FIG. 2

**POUR VOTRE SECURITÉ:** N'utilisez la machine que si le cordon est correctement relié à la terre.

**POUR VOTRE SECURITÉ: (Modèle 120 V)** N'utilisez pas la machine avec des rallonges de câbles supplémentaires. Utilisez uniquement les rallonges de cordons équipées avec la machine ; celles-ci possèdent la capacité adéquate et sont reliées à la terre.

**POUR VOTRE SECURITÉ: (modèles 220/230/240V)** N'utilisez pas la machine avec une rallonge.

6. Connectez les tuyaux accessoires sur le raccord du tuyau de solution et sur l'orifice du tuyau d'extraction situé à l'avant de la machine (Figure 3).



FIG. 3

## UTILISATION DE L'OUTIL DE SOL

**POUR VOTRE SECURITÉ:** n'utilisez pas la machine avant d'avoir lu et compris le manuel opérateur.

**REMARQUE:** Passez l'aspirateur sur la moquette avant le nettoyage.

1. Activez l'extracteur et la pompe.
2. Placez l'outil de sol de sorte que le dessous de l'outil soit parallèle au sol. Appuyez sur le déclencheur, appliquez une pression vers le bas sur la tête de l'outil de sol et tirez lentement l'outil vers l'arrière à l'aide des deux mains. Relâchez le déclencheur 150mm (6 in) avant la fin de course (Figure 4).

**⚠ MISE EN GARDE:** Ne ramassez pas de matériaux inflammables ou de métaux réactifs.



FIG. 4

3. Poussez l'outil de sol vers l'avant sur la même trace avec le déclencheur relâché, lorsque vous revenez vers la bande suivante. Maintenez cette méthode pousser-tirer avec un léger chevauchement pour chaque bande.

**REMARQUE:** Pour les zones très sales, répétez la trajectoire ou changez l'angle de la course.

4. Vérifiez si une quantité importante de mousse ne s'est pas formée dans le réservoir de récupération. Utilisez une solution antimousse recommandée pour éviter l'endommagement du moteur de l'extracteur.

**ATTENTION:** Une accumulation excessive de mousse empêche l'activation du filtre d'arrêt à flotteur. Ceci peut endommager le moteur de l'extracteur.

5. Une fois le nettoyage terminé, désactivez les commutateurs et videz le réservoir de récupération (Voir VIDANGE DU RÉSERVOIR DE RÉCUPÉRATION).

6. Après le nettoyage, réduisez la pression d'eau au niveau de l'accessoire, avant de débrancher le tuyau. Appuyez sur le déclencheur pendant cinq secondes après avoir coupé l'alimentation de la machine.

## UTILISATION DE L'OUTIL À MAIN

**Un accessoire en option est nécessaire.**

**POUR VOTRE SECURITÉ:** n'utilisez pas la machine avant d'avoir lu et compris le manuel opérateur.

**REMARQUE:** Cette machine nettoie très bien la plupart des tissus d'ameublement synthétiques. Les tissus tels que le Herculon et les velours synthétiques sont nettoyés avec d'excellents résultats. L'extraction n'est pas recommandée pour la plupart des cotons, les soieries, la laine et autres velours ou fibres naturelles. Pour de plus amples informations, consultez les instructions de nettoyage cousues sur les tissus d'ameublement par le fabricant. Prenez des précautions particulières lorsque le meuble a été regarni. Tout matériau situé sous le nouveau tissu d'ameublement risque de décolorer le nouveau tissu.

**REMARQUE:** Passez l'aspirateur sur le tissu d'ameublement avant le nettoyage.

1. TESTEZ LA SOLIDITÉ DES COULEURS DU TISSU. Versez une petite quantité de solution de nettoyage sur un chiffon blanc. Maintenez la portion humidifiée du chiffon contre une zone du tissu masquée à la vue. Maintenez la pression pendant 60 secondes. Si la couleur ne déteint pas sur le chiffon, le nettoyage est sûr. Cependant, suivez toujours votre meilleur jugement.
2. Activez l'extracteur et la pompe.
3. Placez l'outil à main sur le tissu et appuyez sur la détente tout en appliquant une pression sur le tissu et tirez lentement l'outil vers l'arrière. Veillez à ne pas trop mouiller le tissu. Répétez la même course sans pulvérisation afin de sécher le tissu le plus possible. Faites se chevaucher les bandes de nettoyage afin d'éviter la formation de traînées (Figure 5).



FIG. 5

# FONCTIONNEMENT

---

**⚠ MISE EN GARDE: Ne ramassez pas de matériaux inflammables ou de métaux réactifs.**

**ATTENTION: Veillez à ne pas laisser pénétrer de mousse ou d'eau dans le filtre d'arrêt à flotteur du réservoir de récupération.**

4. Une fois le nettoyage terminé, désactivez les commutateurs et videz le réservoir de récupération (Voir VIDANGE DU RÉSERVOIR DE RÉCUPÉRATION).
5. Après le nettoyage, réduisez la pression d'eau au niveau de l'accessoire, avant de débrancher le tuyau. Appuyez sur le déclencheur pendant cinq secondes après avoir coupé l'alimentation de la machine.

---

## VIDANGE DES RÉSERVOIRS

---

**POUR VOTRE SECURITÉ: Avant de quitter ou d'entretenir la machine, débranchez le cordon d'alimentation de la prise murale.**

**ATTENTION: Utilisez différents seaux pour remplir et pour vider la machine, afin d'éviter l'obstruction du système de solution.**

---

### VIDANGE DU RÉSERVOIR DE RÉCUPÉRATION

**REMARQUE:** Lorsque le réservoir de solution est vide, le réservoir de récupération doit être vidé.

1. Coupez l'alimentation de la machine et débranchez le cordon d'alimentation.
2. Retirez le tuyau de vidange de son support, amenez le tuyau au-dessus d'un trou de vidange au sol et retirez le bouchon pour effectuer la vidange (Figure 6).



FIG. 6

3. Revissez fermement le bouchon avant de recommencer le nettoyage.
4. Après la vidange finale, retirez le couvercle du réservoir de récupération et rincez soigneusement le réservoir et le filtre d'arrêt à flotteur afin d'éviter l'accumulation d'odeurs (Figure 9).

---

### VIDANGE DU RÉSERVOIR DE SOLUTION

1. Pour vidanger le reste de solution du réservoir de solution, débranchez le tuyau et fixez le tuyau de purge (tuyau de purge fourni avec la machine) (Figure 7).

**ATTENTION: Relâchez la pression d'eau de l'accessoire avant de débrancher le tuyau. Appuyez sur le déclencheur pendant cinq secondes après avoir coupé l'alimentation.**

2. Activez le commutateur de la pompe. Pompez la solution pour la déverser dans un seau vide (Figure 7).



FIG. 7

3. Rincez le réservoir de solution à l'eau claire afin d'éviter l'accumulation d'odeurs. Faites tourner pendant 30 secondes le moteur de l'extracteur, afin d'évacuer toute humidité. Entrez l'extracteur avec les couvercles ouverts afin de permettre la circulation de l'air.

## ENTRETIEN DE LA MACHINE

Pour garder la machine en bon état de marche, suivez les procédures d'entretien quotidiennes, hebdomadaires et mensuelles.

**POUR VOTRE SECURITÉ: Quand vous entretenez la machine, débranchez le cordon de la prise murale.**

Pour faciliter l'entretien, le réservoir de la machine est articulé afin de pivoter hors du châssis pour permettre l'accès aux composants internes. Assurez-vous que les réservoirs sont vides avant de les ouvrir. Pour ouvrir l'extracteur pour des activités de maintenance, suivez les étapes ci-dessous :

- a. Débranchez l'extracteur.
- b. Détachez les deux loquets.
- c. Soulevez le réservoir, hors du châssis (Figure 8).



FIG. 8

### ENTRETIEN QUOTIDIEN (Toutes les 4 heures de service)

1. Nettoyez la machine avec un produit non abrasif et non solvant.
2. Vidangez et rincez les réservoirs soigneusement.
3. Retirez les peluches du filtre d'arrêt à flotteur (Figure 9).



FIG. 9

4. Retirez et rincez le filtre du réservoir de solution (Figure 10).



FIG. 10

5. Vérifiez si le cordon d'alimentation n'est pas endommagé. Remplacez-le s'il est endommagé. Enroulez soigneusement le cordon après chaque utilisation.
6. Retirez tout débris coincé dans l'outil de sol.
7. Vérifiez la trajectoire du pulvérisateur pour déceler des gicleurs obstrués.

### ENTRETIEN HEBDOMADAIRE (Toutes les 20 heures de service)

1. Vérifiez la fixation des sabots de l'outil de sol. S'ils sont lâches, tapotez-les avec un maillet en caoutchouc pour les remettre en place.
2. Vérifiez si le tuyau d'aspiration n'est pas endommagé ou détaché.

### ENTRETIEN MENSUEL (Toutes les 80 heures de service)

1. Vérifiez si la poignée du câble d'alimentation n'est pas endommagée. Remplacez-le s'il est endommagé. Enroulez soigneusement le cordon après chaque utilisation.
2. Vérifiez la présence de fissure au niveau du réservoir.
3. Lubrifiez les roulettes avec une graisse imperméable.
4. Retirez les gicleurs du sol et de l'outil à main et trempez-les dans une solution d'acide acétique.

**REMARQUE:** N'utilisez pas d'épingles, de trombones, etc., pour déboucher les gicleurs.. Ceci endommage les gicleurs.

5. Rincez le système de pompe. Utilisez la solution d'acide acétique pour dissoudre l'accumulation normale de produits chimiques alcalins. Suivez les étapes ci-dessous:

# FONCTIONNEMENT

**POUR VOTRE SECURITÉ:** lorsque vous utilisez la machine, suivez les instructions de mélange et de manipulation indiquées sur les conteneurs chimiques.

- Dans le réservoir de solution, mélangez .5L (16 oz) de solution d'acide acétique avec 7.5L (2 gal) d'eau chaude, à une température maximale de 60°C (140°F) et versez le mélange dans le réservoir de solution.
- Placez un seau sous les gicleurs pour recevoir la pulvérisation.
- Activez le commutateur de la pompe.
- Appuyez sur le déclencheur de l'outil pendant 30 secondes.
- Laissez la solution dans le système pendant 6 heures maximum à une température au-dessus de 0 degré.
- Ensuite, pulvérisez la solution d'acide acétique dans un égout. Faites alors couler 11L (3 gal) d'eau claire au travers du système pour rincer les impuretés.

## ENTRETIEN TRIMESTRIEL

**(Toutes les 250 heures de service)**

Inspectez l'état d'usure des balais de charbon des moteurs. Remplacez les balais lorsque leur longueur est de 10mm (0.38 in) ou moins. Contactez un centre d'entretien agréé pour un contrôle des balais de charbon.

**ATTENTION: Contactez un service de réparation agréé pour les réparations de la machine. Les réparations effectuées sur la machine par une personne non autorisée entraînent l'annulation de la garantie.**

## ENTREPOSAGE DE LA MACHINE

- Avant d'entreposer la machine, veillez à rincer les réservoirs et à faire la vidange de toute l'eau de la machine.
- Entreposez la machine verticalement à l'abri de l'humidité.
- Enlevez le couvercle transparent pour favoriser la circulation d'air.

**⚠ MISE EN GARDE: N'utilisez pas en extérieur. N'exposez pas à la pluie. Entreposez à l'intérieur.**

**ATTENTION: Si vous entreposez la machine à des températures proches de zéro, assurez-vous que la machine et le système de solution sont complètement vidés et secs.**

## ARTICLES DE STOCK RECOMMANDÉS

Reportez-vous à la section Liste des pièces de ce manuel, pour les articles de stock recommandés. Les articles de stock sont clairement identifiés à l'aide d'un point précédant la description de la pièce. Voir l'exemple ci-dessous:

Ref.	Part No.	Description	Qty.
1	701100	ASIM.,STANDPIPE	1
2	180613	◆FLOAT, SHUTOFF	1
3	230187	NIPPLE	1
4	101714	◆GASKET	1
5	210240	NUT, FLANGED	1

**DÉPISTAGE DES PANNES**

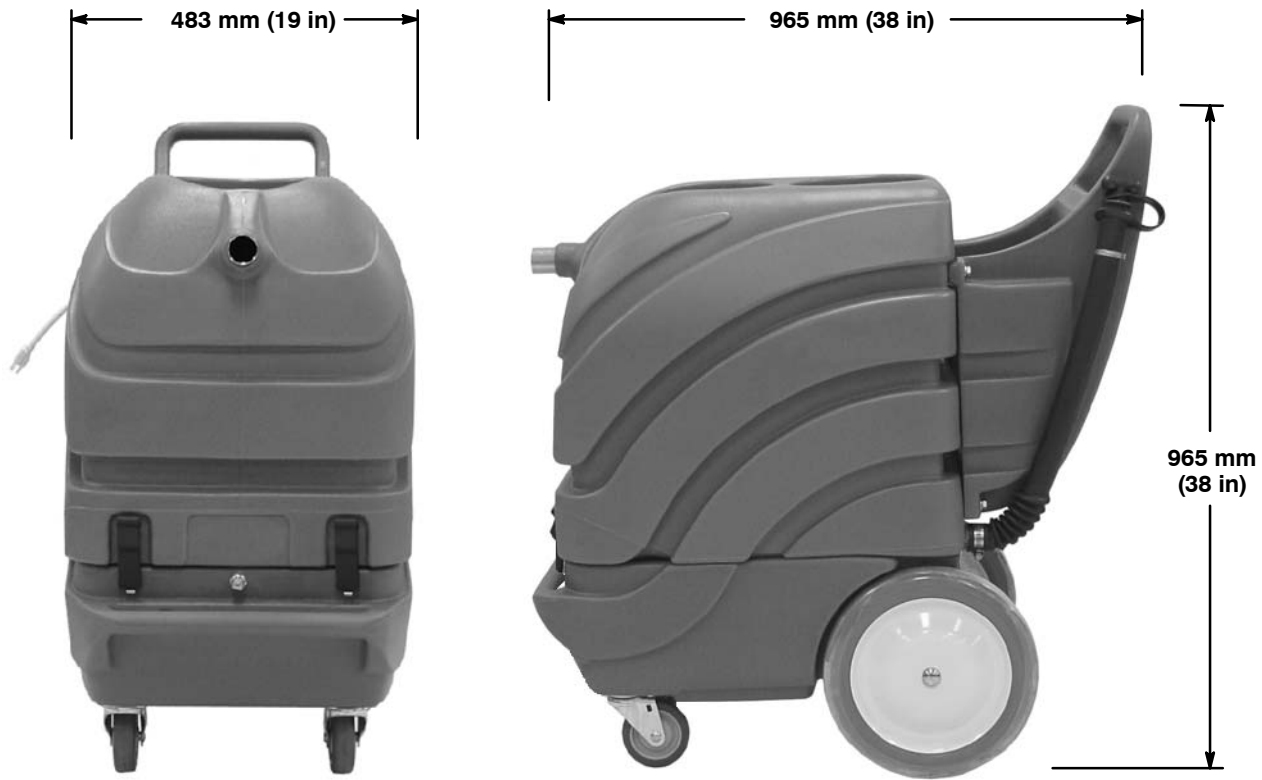
<b>PROBLÈME</b>	<b>CAUSE</b>	<b>REMÈDE</b>
Aspersion irrégulière ou pas d'aspersion à partir des gicleurs.	Gicleurs sales ou obstrués.	Nettoyez ou remplacez les gicleurs.
	Taille de gicleur ou angle d'aspersion inapproprié.	Remplacez par des gicleurs appropriés. Vérifiez également l'alignement des gicleurs. Les gicleurs doivent se chevaucher.
	Gicleurs usés.	Remplacez les gicleurs.
	Commutateur de pompe désactivé.	Tournez le commutateur de pompe en position ON.
	Tuyau de solution non raccordé.	Veillez à ce que le tuyau de solution soit raccordé.
Fuite de l'outil de sol.	Raccord rapide défectueux sur l'outil de sol.	Remplacez le raccord rapide.
	Fuite de la vanne de commande de distribution.	Contactez le service de dépannage.
	Tuyau fendu ou raccords lâches.	Remplacez le tuyau et serrez les raccords.
	Raccord de tuyau de solution non engagé complètement.	Branchez à nouveau le raccord rapide.
La pompe de la solution ne fonctionne pas.	Fusible grillé ou coupe-circuit déclenché dans le bâtiment.	Remplacez le fusible ou réenclenchez le coupe-circuit.
	Commutateur de pompe défectueux.	Contactez le service de dépannage.
	Câblage de pompe à solution lâche.	Contactez le service de dépannage.
	Pompe à solution défectueuse.	Contactez le service de dépannage.
Aspiration insuffisante ou pas d'aspiration.	Fusible grillé ou coupe-circuit déclenché dans le bâtiment.	Remplacez le fusible ou réenclenchez le coupe-circuit dans le bâtiment.
	Bouton de l'extracteur défectueux.	Contactez le service de dépannage.
	Bouchon de tuyau de vidange ouvert ou desserré.	Placez le bouchon sur le tuyau de vidange et vissez-le.
	Peluches obstruant le filtre de coupure à flotteur.	Retirez le couvercle du réservoir de récupération et débarrassez-le des peluches.
	Fuite d'air autour des couvercles transparents.	Fixez les couvercles des réservoirs.
	Tuyau d'extracteur lâche.	Poussez fermement le tuyau sur l'outil de récupération et à l'avant de l'extracteur.
	Trous dans le tuyau d'aspiration ou raccord de tuyaux desserrés.	Remplacez le tuyau ou vissez fermement les raccords sur le tuyau.
	Moteur de l'aspirateur défectueux.	Contactez le service de dépannage.
	Joint d'extracteur défectueux.	Remplacez le joint.
	Le filtre d'arrêt à flotteur est activé.	Arrêtez l'extracteur, videz le réservoir.

# FONCTIONNEMENT

## DONNÉES TECHNIQUES

MODÈLE	1120 (120 V)	1120 (220 V/230 V/240 V)
LONGUEUR	965 mm (38 in)	965 mm (38 in)
LARGEUR	483 mm (19 in)	483 mm (19 in)
HAUTEUR	965 mm (38 in)	965 mm (38 in)
POIDS	49,8 kg (110 lb)	49,8 kg (110 lb)
CAPACITÉ DU RÉSERVOIR DE SOLUTION	56,7 L (15 gal)	56,7 L (15 gal)
CAPACITÉ DU RÉSERVOIR DE RÉCUPÉRATION	71,9 L (19 gal)	71,9 L (19 gal)
POMPE À SOLUTION	1 A, 120 V, 6,81 l/min (1,8 gpm) 6,9 bar (100 psi) max.	5 A, 230 V, 6,81 l/min (1.8 gpm) 6,9 bar (100 psi) max.
MOTEUR D'EXTRACTION	13 A, 1, 66 CV. 120 V, 1.560 watts	6,8 A, 1, 66 CV. 240 V, 1.632 watts
HAUTEUR D'ASPIRATION SCELLÉE	347,9 cm (137 in)	347,9 cm (137 in)
NIVEAU SONORE AU NIVEAU DE L'OREILLE DE L'OPÉRATEUR, À L'INTÉRIEUR SUR DE LA MOQUETTE	82 dB(A)	82 dB(A)

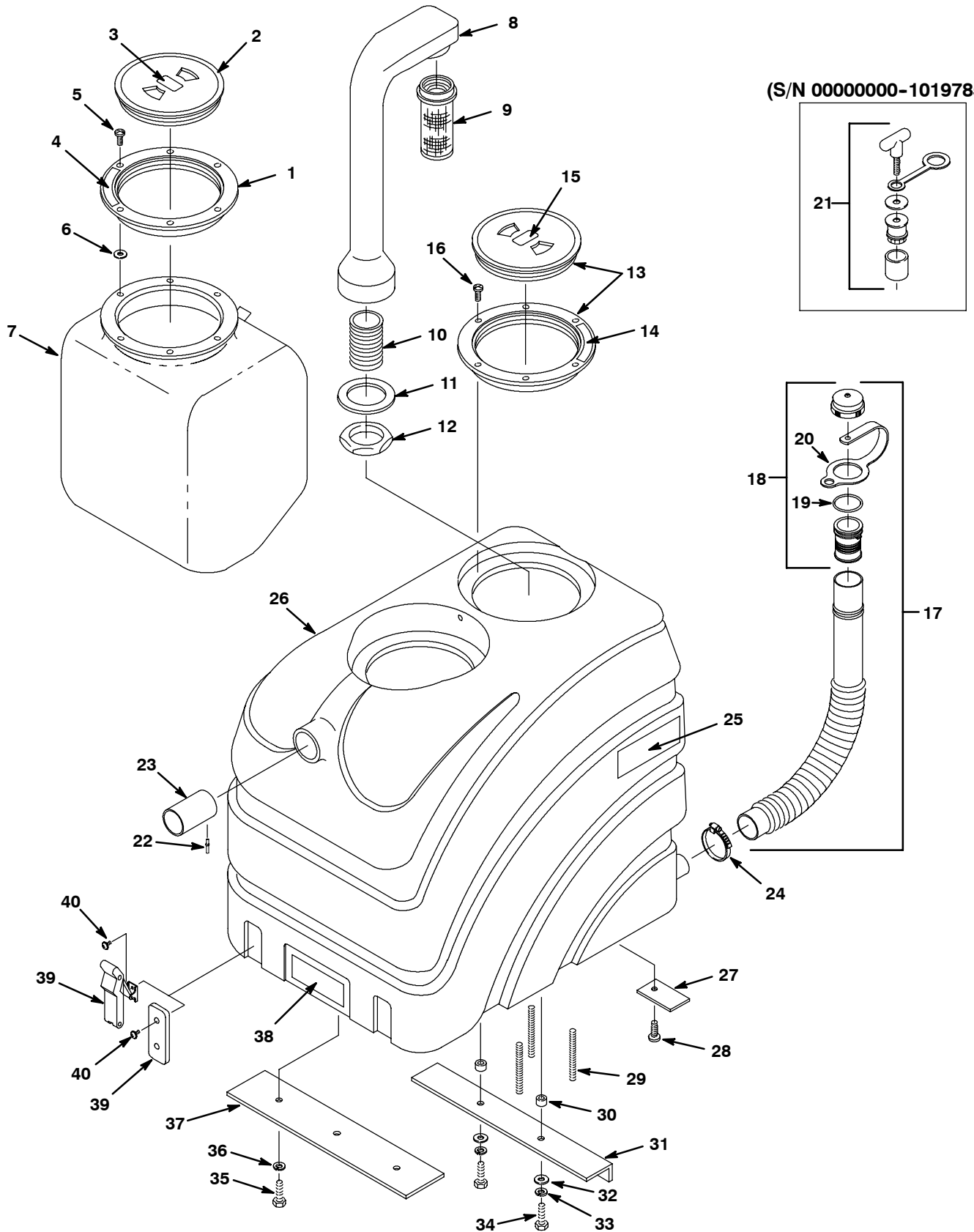
## DIMENSIONS DE LA MACHINE



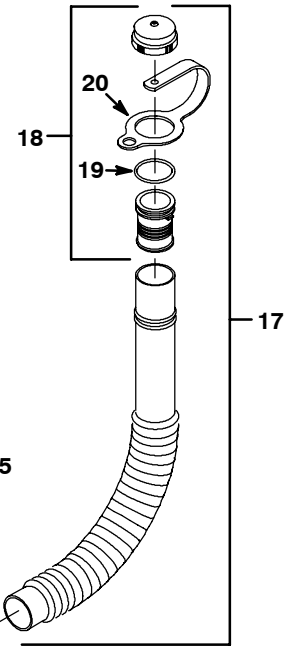
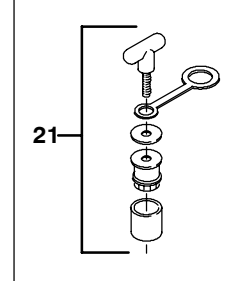


# PARTS LIST - LISTA DE PIEZAS - LISTE DES PIÈCES

## UPPER HOUSING GROUP / GRUPO DEL BASTIDOR SUPERIOR / PARTIE DU SUPÉRIEURE



(S/N 0000000-10197851)



# PARTS LIST - LISTA DE PIEZAS - LISTE DES PIÈCES

## UPPER HOUSING GROUP / GRUPO DEL BASTIDOR SUPERIOR / PARTIE DU SUPÉRIEURE

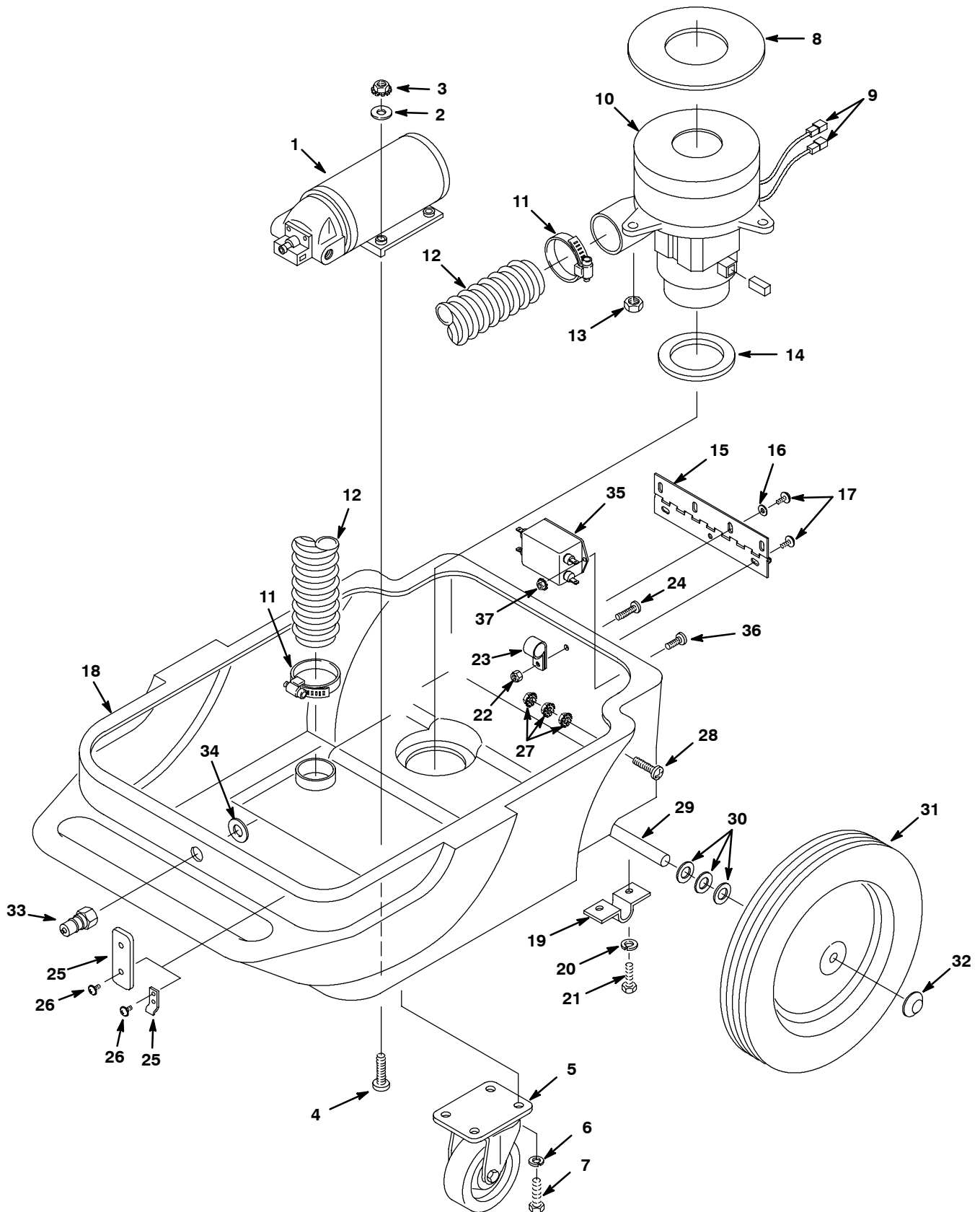
REF	PART #	DESCRIPTION	QTY.
▽	100103	COVER, ASSY. CLEAR LID W/ COUNTERSUNK HOLES	1
▲ 1	100109	LID, OUTER RING	1
▲ 2	100105	●LID, CENTER ONLY CLEAR	1
3	120190	DECAL, USE BLEEDER HOSE	1
4	120907	LABEL, IMPORTANT-ALWAYS...	1
5	140900	SCREW, TRS 10-24X0.75 PHL	6
6	140000	WASHER, 0.28B FLAT	6
7	602783	BLADDER	1
8	602448	STANDPIPE W/NIPPLE	1
9	180613	●FLOAT, SHUT-OFF (1) BALL	1
10	606088	FITTING, 1-1/2 NIPPLE	1
11	101714	GASKET, WASTE AIR CHAMBER	1
12	210240	NUT, FLANGED 1-1/2 FPT	1
13	100102	●CLEAR LID W/STANDARD HOLE	1
14	120907	LABEL, IMPORTANT-ALWAYS...	1
15	120906	LABEL, IMPORTANT-DRAIN...	1
16	140825	SCREW, #6X1/2 PANPHL	6
▽ 17	1007072	●HOSE, DRAIN ASSEMBLY 20.80"	1
▲▽18	1008639	●CAP, DRAIN ASSY	1
▲19	1008637	●O RING, 1.48" ID, 1.76" OD	1
▲20	1019563	●STRAP, DRAIN CAP	1
21	N/A	DRAIN ASSEMBLY - REPLACED BY ITEM #17	1
22	140713	RIVET, POP 3/16 X .575	1
23	230905	TUBE, INLET	1

REF	PART #	DESCRIPTION	QTY.
24	11531	CLAMP, HOSE, WORMDRIVE, 1.06-2.00D, .56W	1
25	608129	LABEL [TENNANT 1120]	2
26	607686	TANK, RECVY, RM-TL, TRIMMED (TEAL)	1
27	230845	PLATE, CORD CLAMP	1
28	140834	SCREW, .25-20X0.62 FLTPHL	1
29	140258	SCREW, 1/4-20X4-1/4 STUD	3
30	140134	SLEEVE, .376ODX.253IDX.28LG	2
31	230846	BRACKET, TANK SUPPORT	1
32	140000	WASHER, 0.28B FLAT	2
33	140016	WASHER, 0.25 LOCK	2
34	24672	SCREW, .25-20X0.75 HXHDCP	2
35	140259	SCREW, .25-20X0.62 HXHDCP	3
36	140016	WASHER, 0.25 LOCK	3
37	230946	BRACKET, TANK BRACE FRONT	1
38	120210	LABEL, LOGO, 04.75L, WHITE [TENNANT]	1
39	140932	●LATCH, RUBBER, W/KEEPER (NON-CSA MODEL)	2
	610207	●STRAP, TANK (CSA MODEL)	2
40	609980	SCREW, #8-32X0.38 TRSPHL SEMS (NON-CSA MODEL)	4
	609980	SCREW, #8-32X0.38 TRSPHL SEMS (CSA MODEL)	2

- ▽ ASSEMBLY / CONJUNTO / ENSEMBLE
- ▲ INCLUDED IN ASSEMBLY / INCLUIDO A CONJUNTA / Y COMPRIS EN ENSEMBLE
- RECOMMENDED STOCK ITEM / PIEZAS RECOMENDADAS EN ALMACÉN / ÉLÉMENTS DE STOCK RECOMMANDÉS

# PARTS LIST - LISTA DE PIEZAS - LISTE DES PIÈCES

## LOWER HOUSING GROUP / GRUPO DEL BASTIDOR INFERIOR / PARTIE DU INFÉRIEURE



# PARTS LIST - LISTA DE PIEZAS - LISTE DES PIÈCES

## LOWER HOUSING GROUP / GRUPO DEL BASTIDOR INFERIOR / PARTIE DU INFÉRIEURE

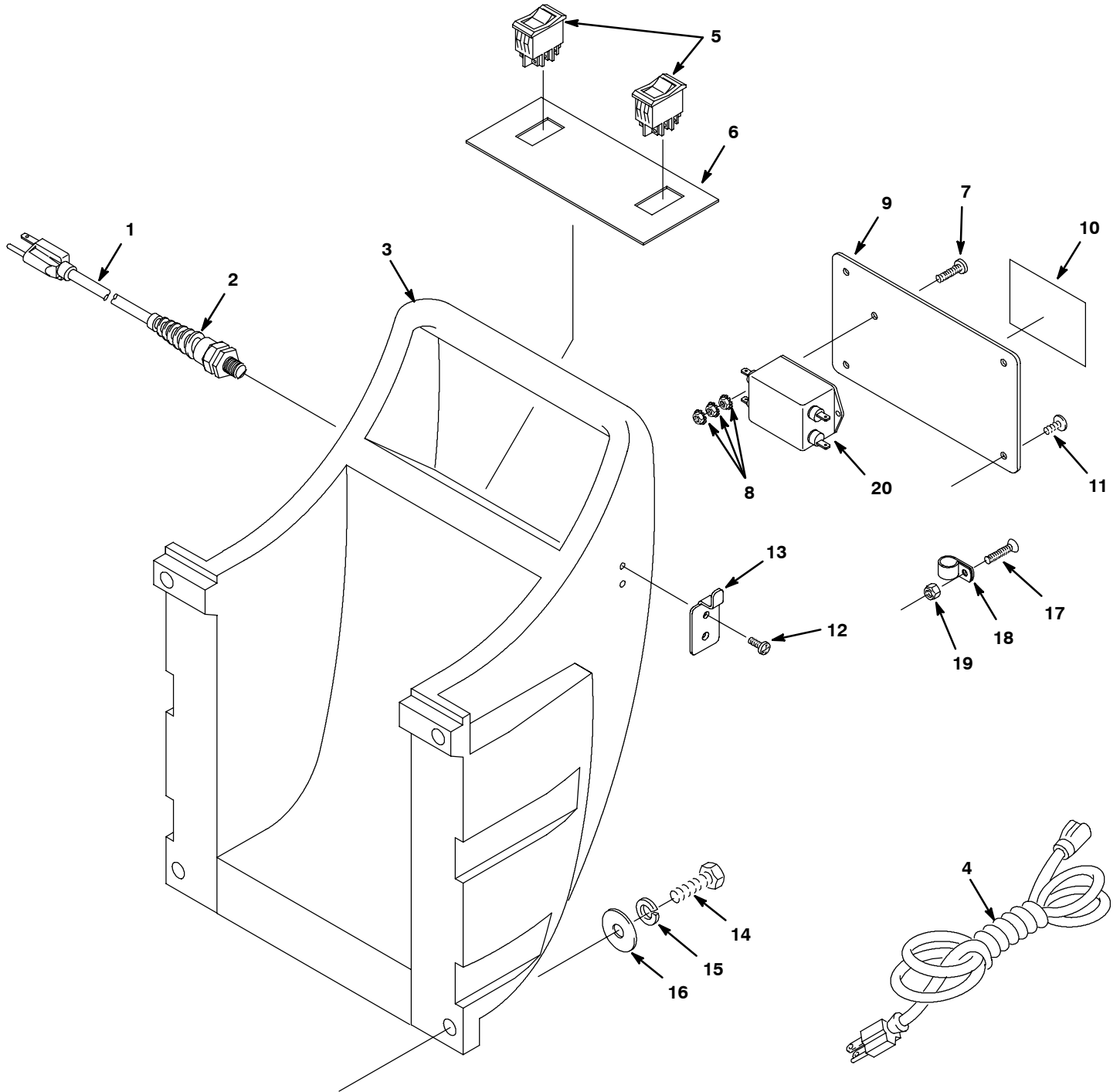
REF	PART #	DESCRIPTION	QTY.
1	180103	●PUMP, SOLUTION, 100 PSI, (120V)	1
	180109	●PUMP, SOLUTION, 100 PSI, (220V/230V/240V)	1
2	140011	WASHER, 0.21B FLAT	4
3	140519	NUT, #10-24 KEP	4
4	1014262	SCREW, #10-24X1.5 PANPHL	4
5	103065	●CASTER, SWIVEL 4 IN.	2
6	140016	WASHER, 0.25 LOCK	8
7	140259	SCREW, .25-20X0.62 HXHDCP	8
8	100118	●GASKET, VAC MOTOR, 5.7 DIA.	1
9	130096	TERMINAL, ML DSCNT	2
∇ 10	130996	●MOTOR, VAC 5.7D 3-STAGE (120V)	1
▲	602741	●BRUSH, CARBON 2/PK	1
▲	130486	FAN SHELL	1
∇	130998	●MOTOR, VAC 5.7D 3-STAGE (220V/230V/240V)	1
▲	190164	●BRUSH, CARBON 2/PK	1
▲	130486	FAN SHELL	1
11	140308	CLAMP, HOSE 1-5/16 TO 2-1/4	2
12	160629	●HOSE, 2 X 28 IN. WHITE	1
13	41169	NUT, 1/4-20 NYLOCK	3
14	102567	●GASKET, VAC MOTOR INTAKE	1
15	230390	HINGE, TANK	1
16	140000	WASHER, 0.28B FLAT	4
17	140885	SCREW, .25-20X.50 TRSPHL	7
18	607684	CHASSIS, LOW PRESS, RM-TL, TRIMMED (TEAL)	1

REF	PART #	DESCRIPTION	QTY.
19	230746	BRACKET, AXLE, OFFSET	2
20	140016	WASHER, 0.25 LOCK	4
21	140259	SCREW, .25-20X0.62 HXHDCP	4
22	140552	NUT, #10-24 NYLCK	1
23	140328	CLAMP, CABLE 3/8	1
24	140196	SCREW, #10-24X1 TRSPHL	1
25	140932	●KEEPER (PART OF LATCH NON-CSA MODEL)	2
	610207	●STRAP, TANK (CSA MODEL)	2
26	609980	SCREW, #8-32X0.38 TRSPHL SEMS (NON-CSA MODEL)	4
	609980	SCREW, #8-32X0.38 TRSPHL SEMS (CSA MODEL)	2
27	140519	NUT, #10-24 KEP	3
28	140196	SCREW, #10-24X1 TRSPHL	1
29	608906	AXLE, 1/2 DIA X 8.352	1
30	140008	WASHER, 1/2 FLAT	6
31	103009	●WHEEL, 12" X 1.75 WHITE/GRAY	2
32	103019	CAP, HUB, WHEEL	2
33	150933	●FITTING, QDC/04PM	1
34	140058	WASHER, .543X.875X.062 WAND	1
35	613098	FILTER (240V EMC ONLY)	1
36	140823	SCREW, #10-24X.62 TRSPHL (240V EMC ONLY)	2
37	140519	NUT, #10-24 KEP (240V EMC ONLY)	2

- ∇ ASSEMBLY / CONJUNTO / ENSEMBLE
- ▲ INCLUDED IN ASSEMBLY / INCLUIDO A CONJUNTA / Y COMPRIS EN ENSEMBLE
- RECOMMENDED STOCK ITEM / PIEZAS RECOMENDADAS EN ALMACÉN / ÉLÉMENTS DE STOCK RECOMMANDÉS

# PARTS LIST - LISTA DE PIEZAS - LISTE DES PIÈCES

## HANDLE GROUP / GRUPO DEL MANGO / GROUPE POIGNEE



# PARTS LIST - LISTA DE PIEZAS - LISTE DES PIÈCES

## HANDLE GROUP / GRUPO DEL MANGO / GROUPE POIGNEE

REF	PART #	DESCRIPTION	QTY.
1	130227	●CORD, 14/3 X 20" YELLOW (120V)	1
	600324	●CORD, 3X1.5MM2X15M BLK (220V/230V)	1
	1038777	●CORD, POWER, ELE, 1.0 MM X 15 M BLK [AUS] (240V EMC MODEL)	1
2	130166	●CORD GRIP, NYLON/BLK W/NUT (120V)	1
	130167	●CORD GRIP, NYLON/BLK W/NUT (220V/230V/240V)	1
3	607689	HANDLE, LOW PRESS, RM-TL, TRIMMED (TEAL)	1
4	130694	●CORD, EXT 14/3X25' YELLOW (120V ONLY)	1
5	608605AM	●SWITCH, ROCKER 250VAC, 10A	2
6	120188	DECAL, DASH	1

REF	PART #	DESCRIPTION	QTY.
7	140900	SCREW, TRS 10-24X0.75 PHL	1
8	140519	NUT, #10-24 KEP	3
▽ 9	614121	ASSEMBLY, PLATE W/ LABEL	1
▲ 10	1026384	LABEL, WARNING [EXPL,FIRE,SHK EN/FR/ES]	1
11	140197	SCREW, #10-24X0.38 TRSPHL, SEM	4
12	140825	SCREW, #6X1/2 PANPHL	2
13	1006890	BRACKET, DRAIN HOSE HANGER	1
14	140231	SCREW, .38-16X1.50 HXHDGP	4
15	140017	WASHER, 3/8 LOCK	4
16	140028	WASHER, 0.42B 1.00D FLAT	4
17	15858.12	SCREW, #10-24X3/4 FLTPHL	1
18	140328	CLAMP, CABLE 3/8	1
19	140552	NUT, #10-24 NYLOCK	1
20	613099	FILTER (240V EMC ONLY)	1

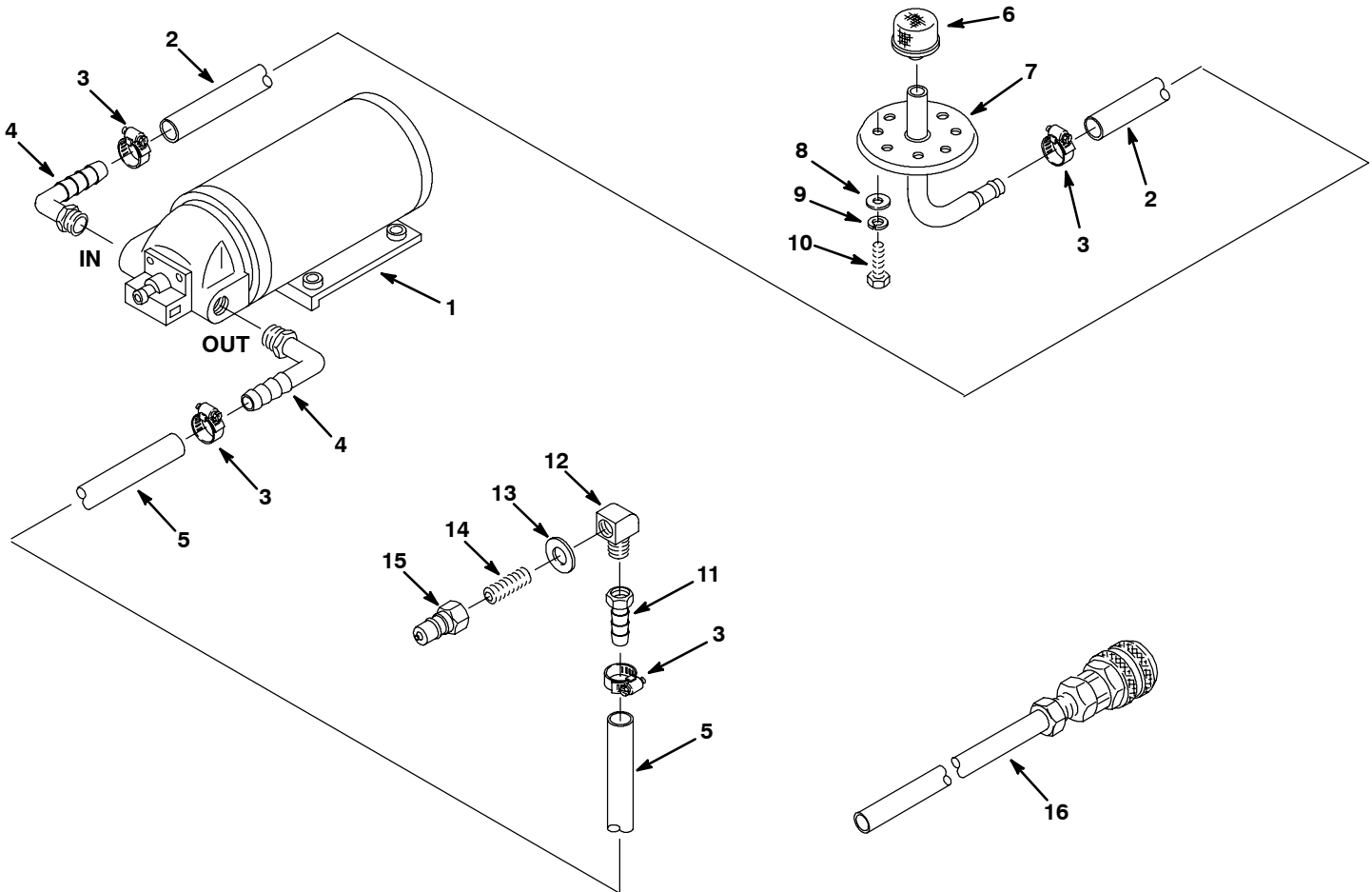
▽ ASSEMBLY / CONJUNTO / ENSEMBLE

▲ INCLUDED IN ASSEMBLY / INCLUIDO A CONJUNTA / Y COMPRIS EN ENSEMBLE

● RECOMMENDED STOCK ITEM / PIEZAS RECOMENDADAS EN ALMACÉN / ÉLÉMENTS DE STOCK RECOMMANDÉS

# PARTS LIST - LISTA DE PIEZAS - LISTE DES PIÈCES

## PLUMBING GROUP / GRUPO DE TUBERÍAS / GROUPE DE TUYAUTERIE



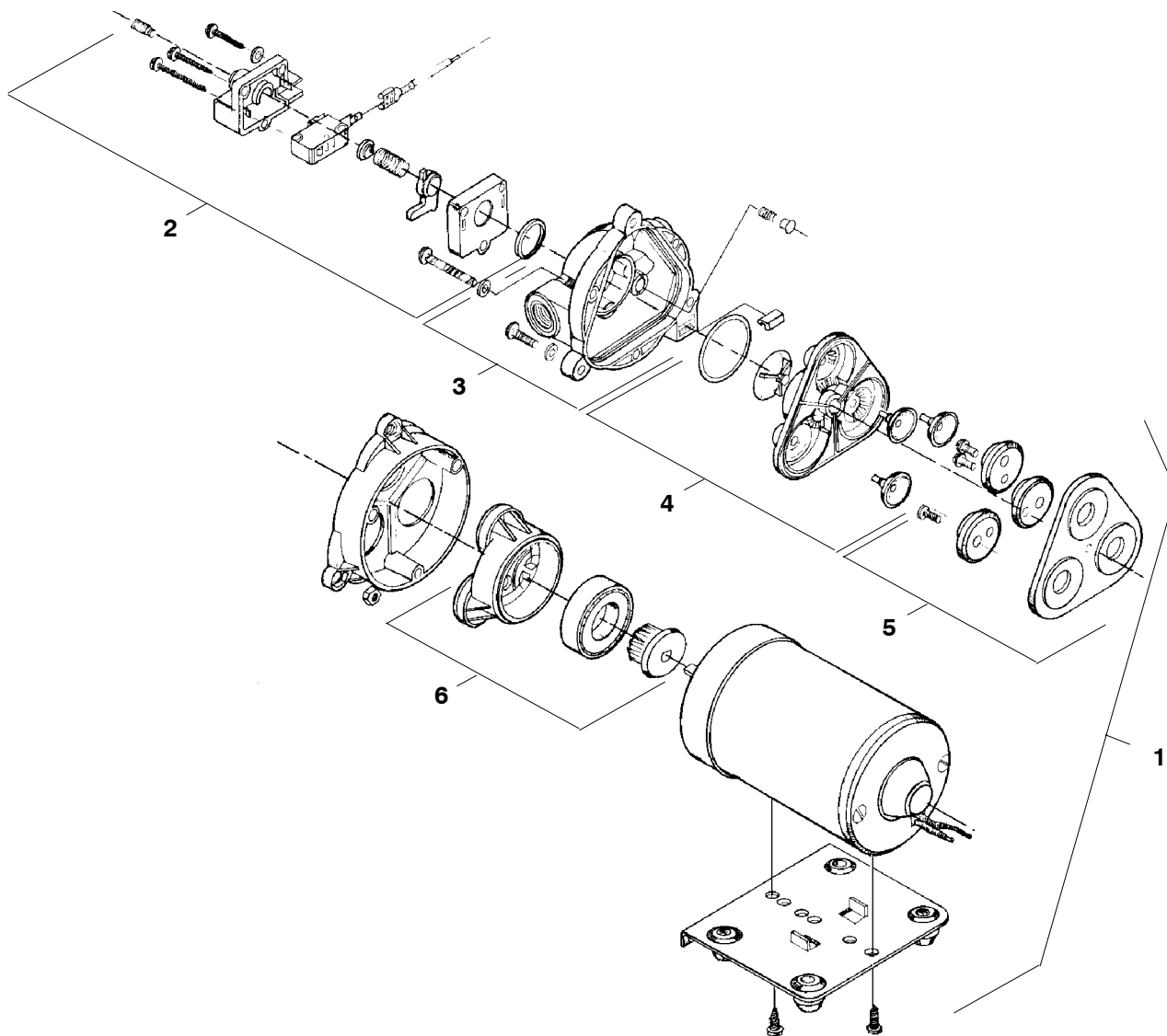
REF	PART #	DESCRIPTION	QTY.
1	180103	●PUMP, SOLUTION, 100 PSI (120V)	1
	180109	●PUMP, SOLUTION, 100 PSI (220V/230V/240V)	1
2	613488	HOSE, GRAY 3/8" X 24"	1
3	54333	CLAMP, HOSE, WORM, 0.31-0.88D	4
4	150412	FITTING, E90, PM06/BM06	2
5	609432	HOSE, GRAY 3/8" X 16"	1
6	180628	●FILTER, SCREEN, 100 MESH	1
7	600451	PLATE, BLADDER ASM	1

● RECOMMENDED STOCK ITEM / PIEZAS RECOMENDADAS EN ALMACÉN / ÉLÉMENTS DE STOCK RECOMMANDÉS

REF	PART #	DESCRIPTION	QTY.
8	140000	WASHER, 0.28B FLAT	4
9	140016	WASHER, 0.25 LOCK	4
10	140259	SCREW, .25-20X0.62 HXHDCP	4
11	150511	FITTING, STR, PF04/BM06	1
12	27048	FITTING, E90, PM04/PF04	1
13	140058	WASHER, .543X.875X.062 WAND	1
14	150615	FITTING, STR, 04PM CLOSE	1
15	150933	●FITTING, QDC/04PM, SER 60	1
16	700141	●HOSE, SOLUTION BLEEDER	1

# PARTS LIST - LISTA DE PIEZAS - LISTE DES PIÈCES

## PUMP BREAKDOWN / CLASIFICACIÓN DE LA BOMBA / ENSEMBLE DE LA BROSE



REF	PART #	DESCRIPTION	QTY.
▽ 1	180103	●PUMP, SOLUTION 100PSI 120V	1
	180109	●PUMP, SOLUTION 100PSI 230V/240V	1
▲ 2	190129	●KIT, PRESSURE SWITCH	1
	190172	●KIT, PRESSURE SWITCH (VITON)	1
	190134	●KIT, DIAPHRAGM ONLY	1

REF	PART #	DESCRIPTION	QTY.
▲ 3	190128	●KIT, UPPER PUMP HOUSING	1
	190124	●KIT, CHECK VALVE ONLY	1
▲ 4	190171	●KIT, VALVE (VITON)	1
▲ 5	190131	●KIT, SERVICE	1
▲ 6	190130	●KIT, LOWER PUMP HOUSING	1

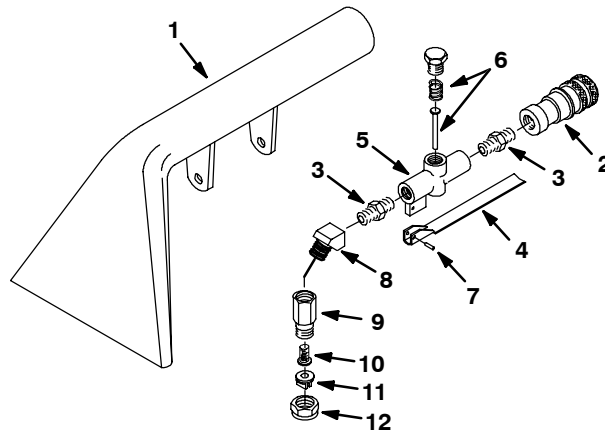
▽ ASSEMBLY / CONJUNTO / ENSEMBLE

▲ INCLUDED IN ASSEMBLY / INCLUIDO A CONJUNTA / Y COMPRIS EN ENSEMBLE

● RECOMMENDED STOCK ITEM / PIEZAS RECOMENDADAS EN ALMACÉN / ÉLÉMENTS DE STOCK RECOMMANDÉS

# OPTIONS - OPCIONES - ÉQUIPEMENT AU CHOIX

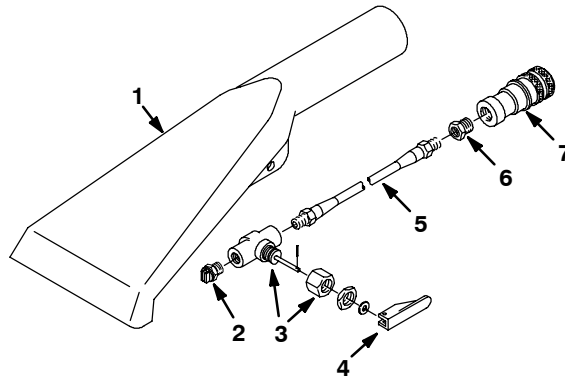
## HAND TOOL, 5 in / 127 mm / HERRAMIENTA MANUAL / OUTIL A MAIN



REF	PART #	DESCRIPTION	QTY.
▽	200505	●TOOL, HAND 127MM (5 IN.)	1
▲ 1	200431.BK	TOOL, HAND	1
▲ 2	150913	●FITTING, QDC PF04 FEM	1
▲ 3	150606	NIPPLE, HEX 1/4	2
▲ 4	200905	TRIGGER, HAND TOOL	1
▲ 5	210210	●VALVE, FLOW CONTROL	1
▲ 6	190600	VALVE PIN & SPRING	1

REF	PART #	DESCRIPTION	QTY.
▲ 7	140609	PIN, ROLL 3/16	1
▲ 8	150403	ELBOW, ST 1/4 45°	1
▲ 9	200992	BODY, SPRAY 1/4F	1
▲ 10	200996	SCREEN, SPRAY NOZZLE	1
▲ 11	200965	●TIP, SPRAY #8002	1
▲ 12	200994	CAP, SPRAY BODY	1

## CREVICE TOOL, 3 in / 76 mm / HERRAMIENTA MANUAL, HENDIDURAS / OUTIL POUR FISSURES



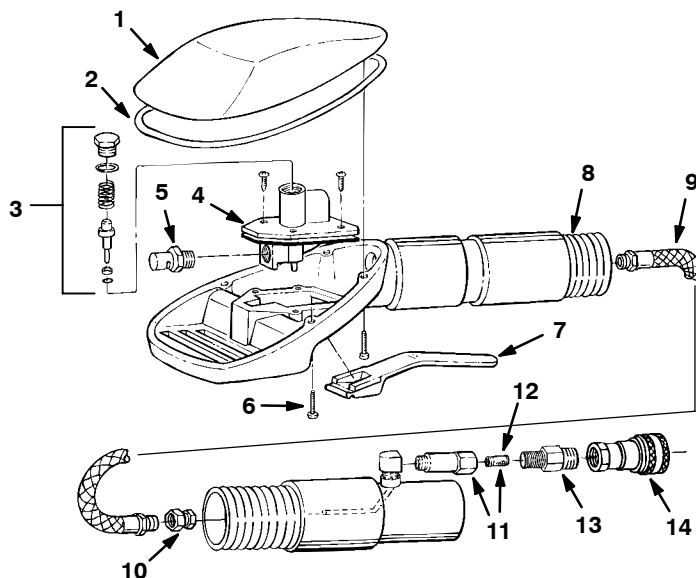
REF	PART #	DESCRIPTION	QTY.
▽	200517	●TOOL, CREVICE SERIES 60	1
▲ 1	200436.BK	TOOL, CREVICE	1
▲ 2	200975	●FITTING JET #5002	1
▲ 3	210014	●VALVE, TOGGLE W/NUT	1

REF	PART #	DESCRIPTION	QTY.
▲ 4	210020	POSITIONER, VALVE HANDLE	1
▲ 5	160106	HOSE, SOLUTION	1
▲ 6	150100	FITTING, 1/4MX1/8F BUSHING	1
▲ 7	150913	●FITTING, 1/4F, QD FML COUPLER	1

- ▽ ASSEMBLY / CONJUNTO / ENSEMBLE
- ▲ INCLUDED IN ASSEMBLY / INCLUIDO A CONJUNTA / Y COMPRIS EN ENSEMBLE
- RECOMMENDED STOCK ITEM / PIEZAS RECOMENDADAS EN ALMACÉN / ÉLÉMENTS DE STOCK RECOMMANDÉS

# OPTIONS - OPCIONES - ÉQUIPEMENT AU CHOIX

## HAND TOOL, UPHOLSTERY LOW PRESSURE / HERRAMIENTA MANUAL, TAPICERIA BAJA PRESION / OUTIL À MAIN À BASSE PRESION POUR TISSUS D'AMEUBLEMENT



REF	PART #	DESCRIPTION	QTY.
▽	200540	●TOOL, UPHOLSTERY LP SER 60	1
▲ 1	200845	COVER, UPHOLSTERY TOOL	1
▲ 2	200843	GASKET, COVER	1
▲ 3	190631	●KIT, SERVICE LP UPHOLSTERY	1
▲ 4	210226	●VALVE, WATER/SOL 120VAC LP	1
▲ 5	200991	●FITTING, SS TIP 1/8K-JET	1
▲ 6	200838	SCREW #6-32 X 0.75	4
▲ 7	200840	TRIGGER, UPHOLSTERY TOOL	1

REF	PART #	DESCRIPTION	QTY.
▲ 8	200844	●HOSE, VAC UPHOLSTERY TOOL W/O CUFFS	1
▲ 9	200837	●HOSE, UPHOLSTERY TOOL	1
▲ 10	200848	FITTING, BRS (3 PCS)	1
▲ 11	200842	FILTER, INLINE COMPLETE	1
▲ 12	200841	SCREEN ONLY, INLINE FILTER	1
▲ 13	150606	FITTING, BRS STR PF04 HEX NIP	1
▲ 14	150913	●FITTING, QDC PF04 SER. 60	1

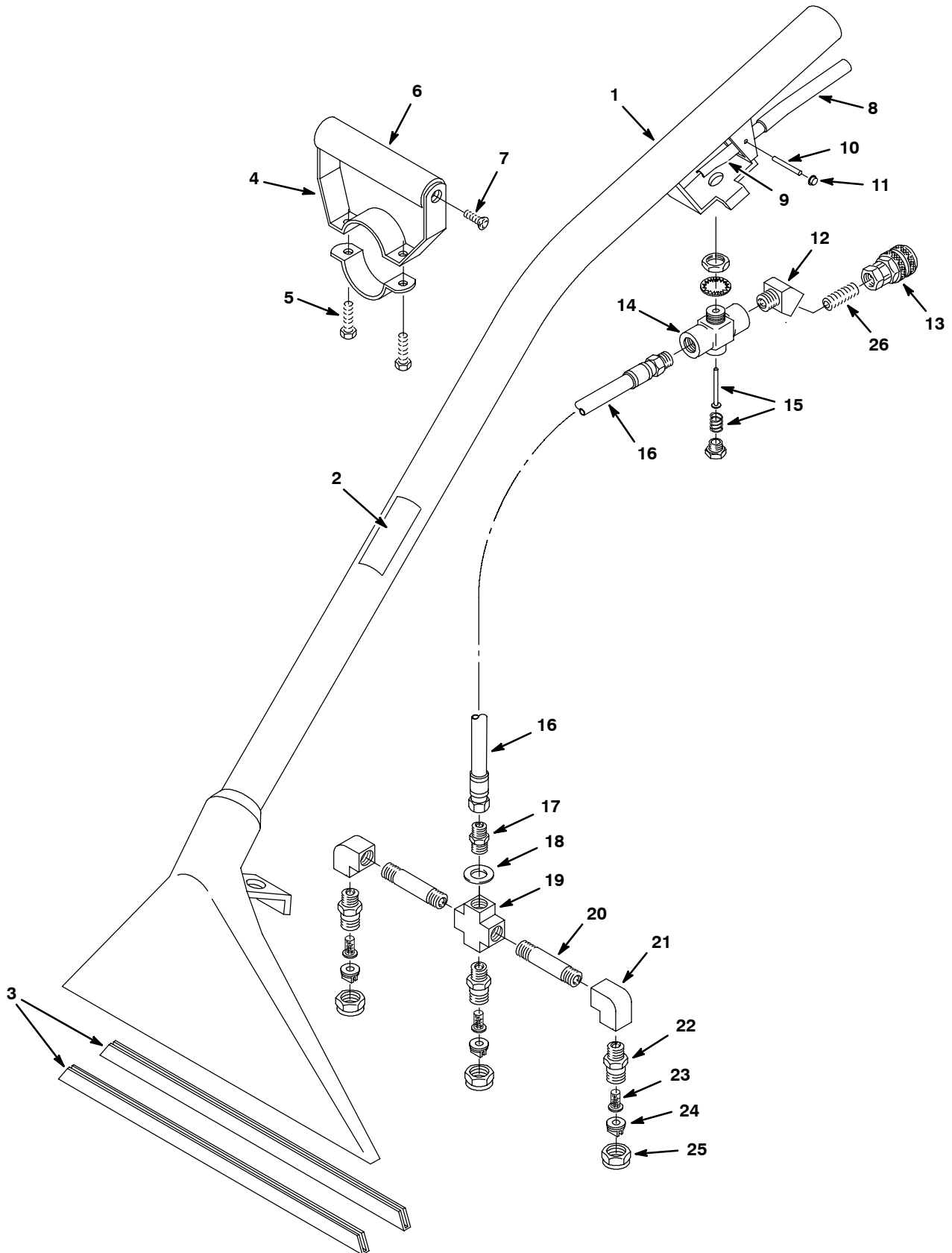
▽ ASSEMBLY / CONJUNTO / ENSEMBLE

▲ INCLUDED IN ASSEMBLY / INCLUIDO A CONJUNTA / Y COMPRIS EN ENSEMBLE

● RECOMMENDED STOCK ITEM / PIEZAS RECOMENDADAS EN ALMACÉN / ÉLÉMENTS DE STOCK RECOMMANDÉS

# OPTIONS - OPCIONES - ÉQUIPEMENT AU CHOIX

FLOOR TOOL, LOW PRESSURE 13 in / 330 mm / HERRAMIENTA DE PISO, BAJA PRESION /  
OUTIL DE SOL À BASSE PRESION



# OPTIONS - OPCIONES - ÉQUIPEMENT AU CHOIX

## FLOOR TOOL, LOW PRESSURE 13 in / 330 mm / HERRAMIENTA DE PISO, BAJA PRESION / OUTIL DE SOL À BASSE PRESSION

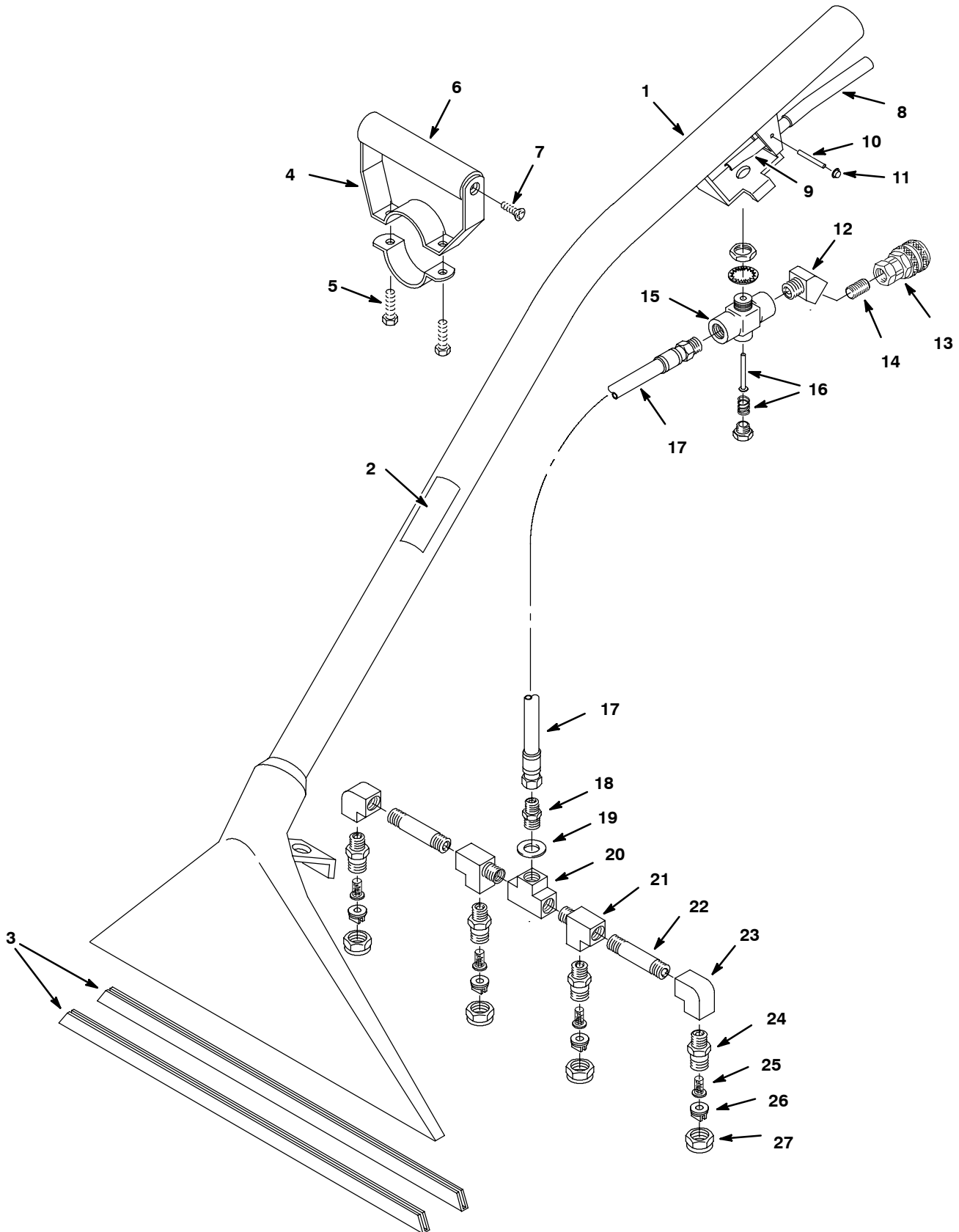
REF	PART #	DESCRIPTION	QTY.
▽	600048	●TOOL, 330MM (13 IN) FLOOR LP SER 60	1
▲ 1	200403.BK	TOOL, FLOOR BLACK	1
▲ 2	120846	DECAL, LOW PRESSURE TOOL	1
▲ 3	200939	●SHOE, 330MM (13 IN) FLR TOOL	2
▲▽ 4	200927AM	GRIP, HAND ADJ. COMPLETE	1
▲▲ 5	01697	SCREW, HEX .25-20 X 0.62	2
▲▲ 6	200912	GRIP, HANDLE FOAM	1
▲▲ 7	140834	SCREW, FLT .25-20 X 0.62 PHL	2
▲ 8	200809	SLEEVE, HANDLE FLOOR TOOL	1
▲ 9	200902	HANDLE, IMPERIAL VALVE	1
▲ 10	140605	PIN, HANDLE IMPERIAL	1
▲ 11	140520	NUT, 1/4 PUSH BLK	2
▲ 12	150403	FITTING, BRS E45 PM04/PF04	1
▲ 13	150913	●FITTING, BRS QDC PF04 SER 60	1
▲▽ 14	210150	●VALVE, FLOW CONTROL PF04	1

REF	PART #	DESCRIPTION	QTY.
▲▲ 15	190603	●KIT, REPAIR IMPERIAL	1
▲ 16	160170	WAND, HOSE ASSEMBLY 46"	1
▲ 17	150606	FITTING, BRS STR PM04 HEX NIP	1
▲ 18	140058	WASHER, .54B X .88D X .06 WAND	1
▲▽	700062	ASM., SPRAYBAR WO/TIPS	1
▲▲ 19	150700	FITTING, BRS TEE PF04 CROSS	1
▲▲ 20	150600	FITTING, 1/4MX2" NIPPLE BRS	2
▲▲ 21	150401	FITTING, BRS E90 PF04/PF04	2
▲▲ 22	200993	SPRAY BODY, 1/4" MALE BRASS	3
▲ 23	200996	●FILTER, SCREEN 100 MESH	3
▲ 24	200964	●FITTING, TIP 11003 T-JET BRS	3
▲ 25	200994	●CAP, NOZZLE SPRAY (8002)	3
▲ 26	150615	FITTING, BRS STR PM04 CLOSE	1
N/S	200170	SQUEEGEE ASSY, 380MM/15.0, COMPLT (FOR USE ON HARD FLOOR SURFACES)	1

- ▽ ASSEMBLY / CONJUNTO / ENSEMBLE
- ▲ INCLUDED IN ASSEMBLY / INCLUIDO A CONJUNTA / Y COMPRIS EN ENSEMBLE
- RECOMMENDED STOCK ITEM / PIEZAS RECOMENDADAS EN ALMACÉN / ÉLÉMENTS DE STOCK RECOMMANDÉS

# OPTIONS - OPCIONES - ÉQUIPEMENT AU CHOIX

FLOOR TOOL, LOW PRESSURE 16 in / 406 mm / HERRAMIENTA DE PISO, BAJA PRESION /  
OUTIL DE SOL À BASSE PRESION



# OPTIONS - OPCIONES - ÉQUIPEMENT AU CHOIX

## FLOOR TOOL, LOW PRESSURE 16 in / 406 mm / HERRAMIENTA DE PISO, BAJA PRESION / OUTIL DE SOL À BASSE PRESSION

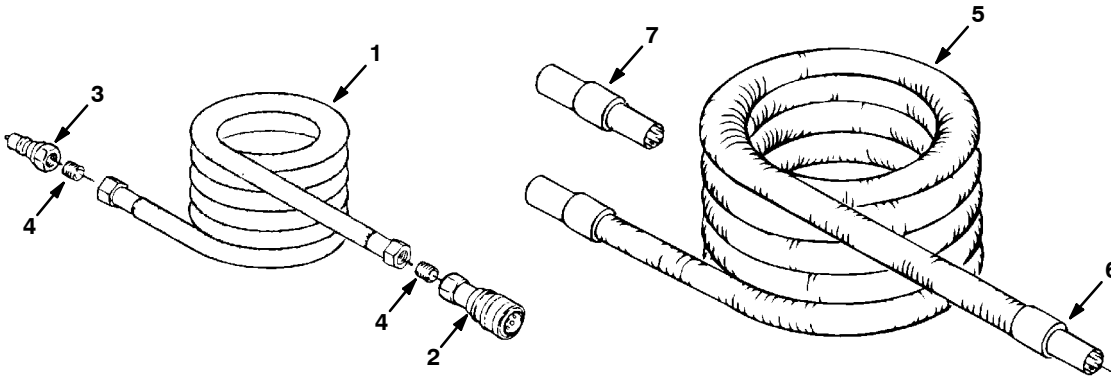
REF	PART #	DESCRIPTION	QTY.
▽	200503	●TOOL, 406MM (16 IN) FLOOR LP SER 60	1
▲ 1	200411.BK	TOOL, FLOOR 406MM (16 IN)	1
▲ 2	120846	DECAL, LOW PRESSURE TOOL	1
▲ 3	200956	●SHOE, 406MM (16 IN) FLR TOOL	2
▲▽ 4	200927AM	GRIP, HAND ADJ. COMPLETE	1
▲▲ 5	01697	SCREW, HEX .25-20 X 0.62	2
▲▲ 6	200912	GRIP, HANDLE FOAM	1
▲▲ 7	140834	SCREW, FLT .25-20 X 0.62 PHL	2
▲ 8	200809	SLEEVE, HANDLE FLOOR TOOL	1
▲ 9	200902	HANDLE, IMPERIAL VALVE	1
▲ 10	140605	PIN, HANDLE IMPERIAL	1
▲ 11	140520	NUT, 1/4 PUSH BLK	2
▲ 12	150403	FITTING, BRS E45 PM04/PF04	1
▲ 13	150913	●FITTING, BRS QDC PF04 SER 60	1
▲ 14	150615	FITTING, BRS STR PM04 CLOSE	1

REF	PART #	DESCRIPTION	QTY.
▲▽ 15	210150	●VALVE, FLOW CONTROL PF04	1
▲▲ 16	190603	●KIT, REPAIR IMPERIAL	1
▲ 17	160170	WAND, HOSE ASSEMBLY 46"	1
▲ 18	150606	FITTING, BRS STR PM04 HEX NIP	1
▲ 19	140058	WASHER, .54B X .88D X .06 WAND	1
▲▽	700656	ASM., SPRAYBAR 16" WO/TIPS	1
▲▲ 20	150706	FITTING, BRS TEE PF04	1
▲▲ 21	150709	FITTING, BRS TEE PF04/PF04/PF04	2
▲▲ 22	150600	FITTING, 1/4MX2" NIPPLE BRS	2
▲▲ 23	150401	FITTING, BRS E90 PF04/PF04	2
▲▲ 24	200993	SPRAY BODY, 1/4" MALE BRASS	4
▲ 25	200996	●FILTER, SCREEN 100 MESH	4
▲ 26	200964	●FITTING, TIP 11003 T-JET BRS	4
▲ 27	200994	CAP, NOZZLE SPRAY (8002)	4

- ▽ ASSEMBLY / CONJUNTO / ENSEMBLE
- ▲ INCLUDED IN ASSEMBLY / INCLUIDO A CONJUNTA / Y COMPRIS EN ENSEMBLE
- RECOMMENDED STOCK ITEM / PIEZAS RECOMENDADAS EN ALMACÉN / ÉLÉMENTS DE STOCK RECOMMANDÉS

# OPTIONS - OPCIONES - ÉQUIPEMENT AU CHOIX

## SOLUTION AND VACUUM HOSES GROUP / MANGUERAS DE DISOLUCIÓN Y ASPIRACIÓN / TUYAUX DE SOLUTION ET D'EXTRACTION



REF	PART #	DESCRIPTION	QTY.
▽ 1	160185	HOSE, SOLUTION 3/8X4.6M/15' (STANDARD)	1
	610792	HOSE, SOLUTION 1/4X7.6M/25' (OPTIONAL)	1
	160192	HOSE, SOLUTION 1/4X15.2M/50' (OPTIONAL)	1
▲ 2	150913	●FITTING, BRS, QDC, PF04, SER60	1
▲ 3	150933	FITTING, BRS, QDC, PM04, SER60	1
▲ 4	150615	FITTING, BRS, STR, PM04, CLOSE, T	2

REF	PART #	DESCRIPTION	QTY.
▽ 5	160400	HOSE, VACUUM 1-1/2X4.6M/15' (STANDARD)	1
	160401	HOSE, VACUUM 1-1/2X7.6M/25' (OPTIONAL)	1
	160402	HOSE, VACUUM 1-1/2X15.2M50' (OPTIONAL)	1
▲ 6	160430	●CUFF, HOSE 1-1/2"	2
7	160451	●CONNECTOR, VAC HOSE 1-1/2"	1
N/S	220040	●BAG, HOSE W/DRAW STRING (OPTIONAL)	1

▽ ASSEMBLY / CONJUNTO / ENSEMBLE

▲ INCLUDED IN ASSEMBLY / INCLUIDO A CONJUNTA / Y COMPRIS EN ENSEMBLE

● RECOMMENDED STOCK ITEM / PIEZAS RECOMENDADAS EN ALMACÉN / ÉLÉMENTS DE STOCK RECOMMANDÉS