



Electronic Service Manuals

This electronic document is provided as a service to our customers. We do not create the contents of the information contained in this document. Should you have detailed questions pertaining to the information contained in this document, you may contact Michco, or the manufacturer which provided the original information in this electronic deliverable. Michco's only part in this electronic deliverable was the electronic assembly process. By providing this manual on line we are not guaranteeing parts availability.

You may contact Michco through the following methods:

Phone (517) 484-9312 or (800) 331-3339

2011 N. High St. -- Lansing, Michigan -- 48906

Fax: (517) 484-9836

Email: CustServe@Michco.com

Web site: www.Michco.Com

Parts Web site: www.FloorMachineParts.Com

Order Parts on Line at:

www.FloorMachineParts.Com

Directly to Parts & Service:

By Email: **Shop@Michco.com**

By Fax: (517) 702-2041

By Voice: Use numbers above.

Serving the Cleaning Industry Since 1922

Notice: All copyrighted material remains property of original owners, all trademarks are property of respective owners. Manuals are subject to Manufacturer's reproduction limitations. Originals or reproductions were provided by manufacturers through a request. We make no warranty as to the correctness of information provided in this document and you assume all risk. By placing these manuals on line we are not declaring our corporation to be an manufacturer authorized dealer or provider, please check our web site for authorized manufacturers we represent.



5540/5560

Automatic Floor Scrubber

Model:

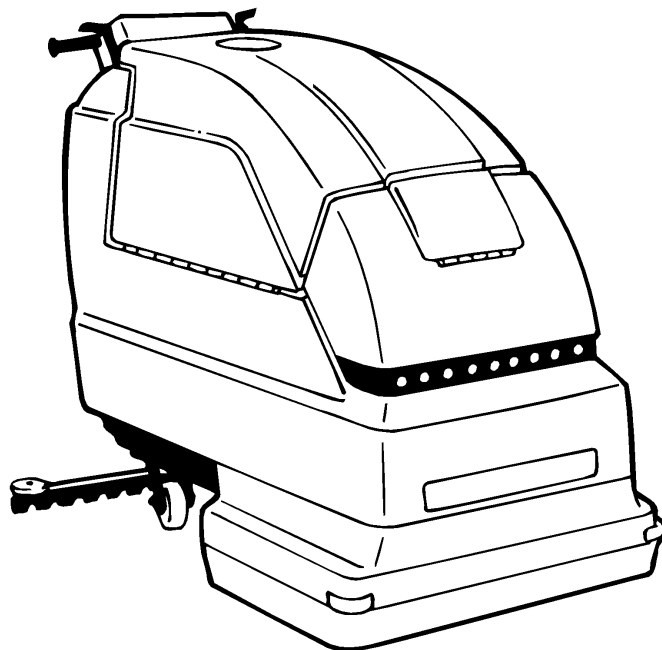
607507 – 5540 Pac

607506 – 5540

607542 – 5560 Pac

607541 – 5560

Operator and Parts Manual
Manual de Operación y de Piezas

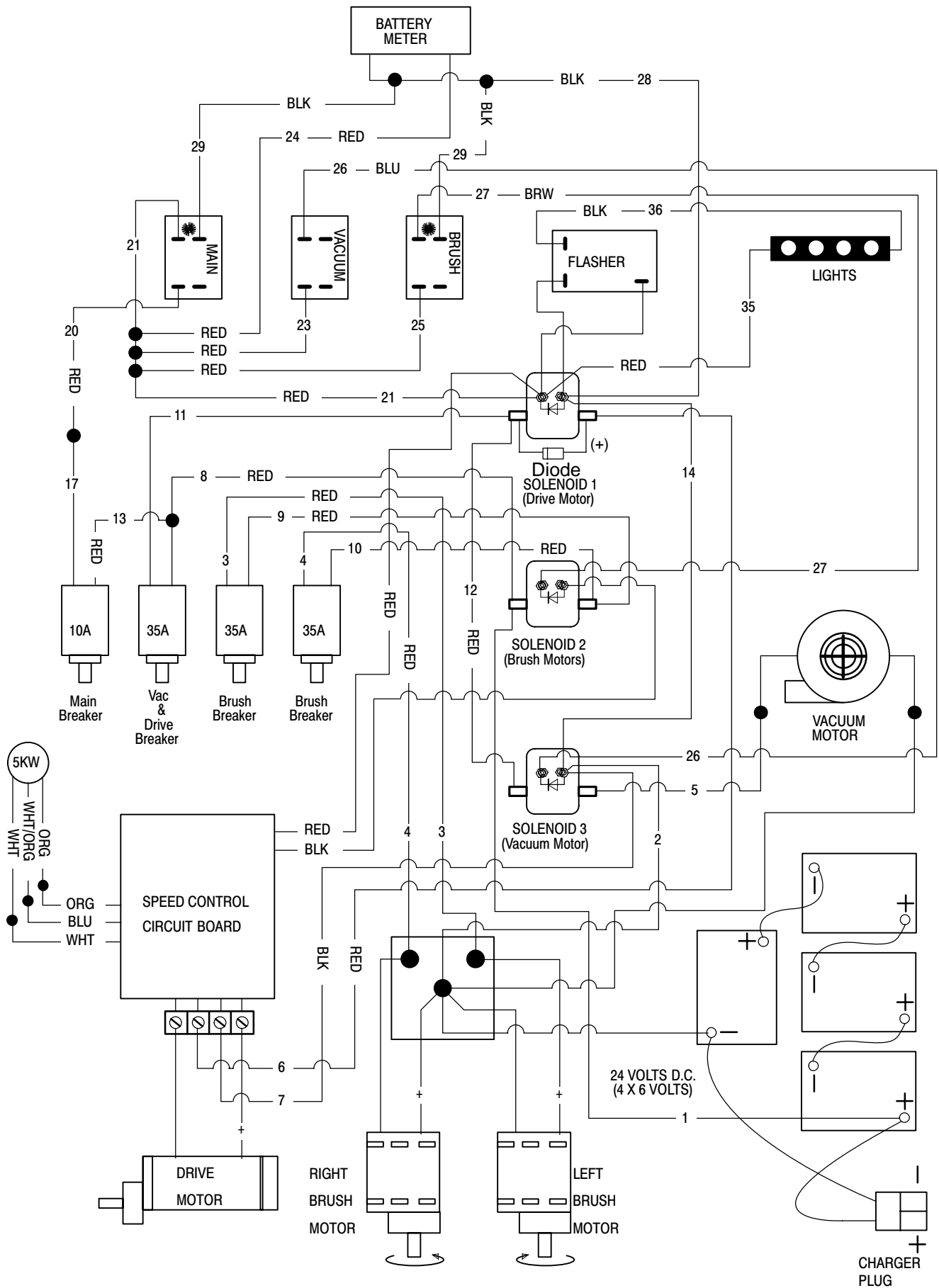


TENNANT COMPANY
Commercial Products
12875 RANSOM STREET
HOLLAND MI 49424 U.S.A.

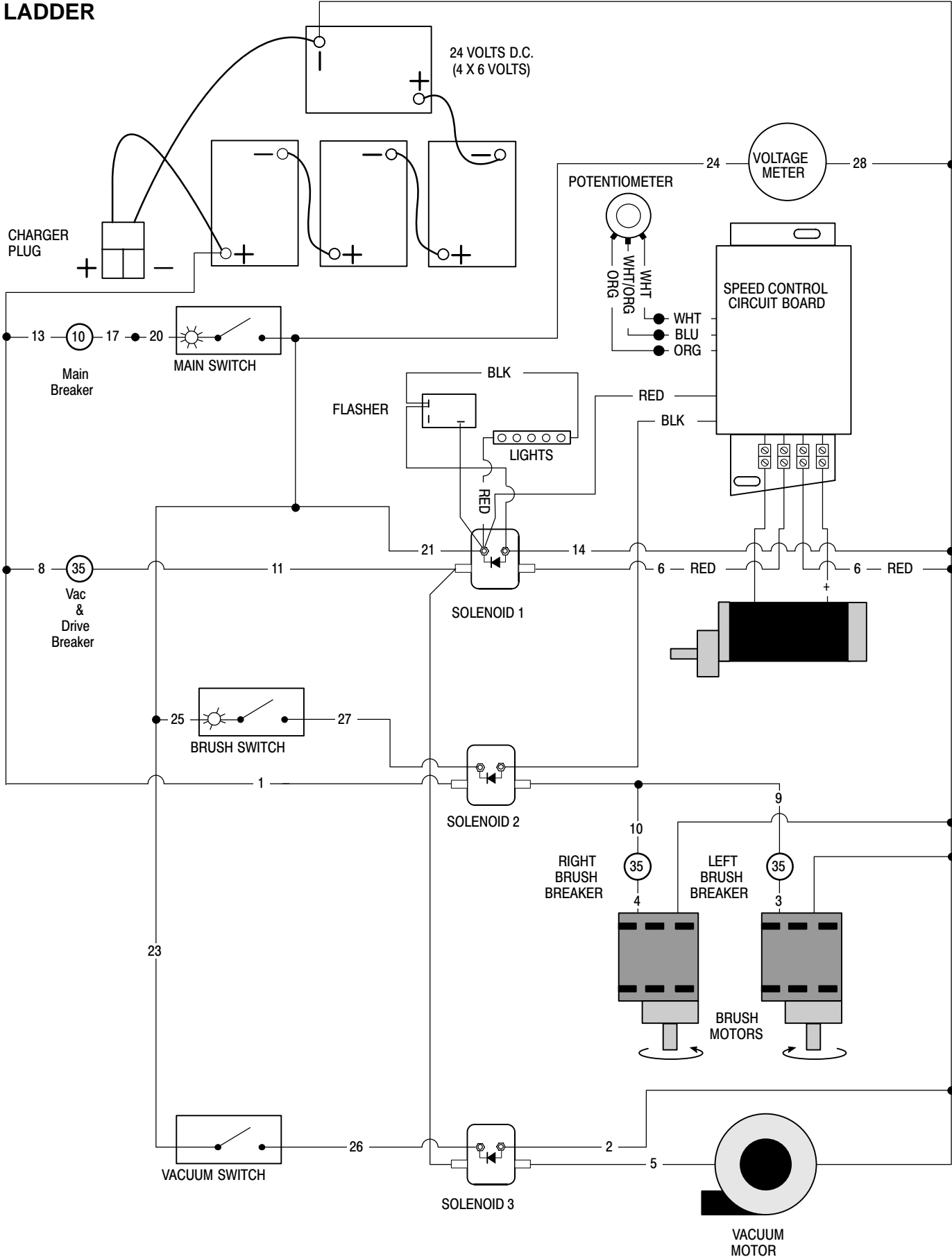
FAX: 1-800-678-4240
CUSTOMER SERVICE: 1-800-982-7658

607508
Rev. 00 (11-99)

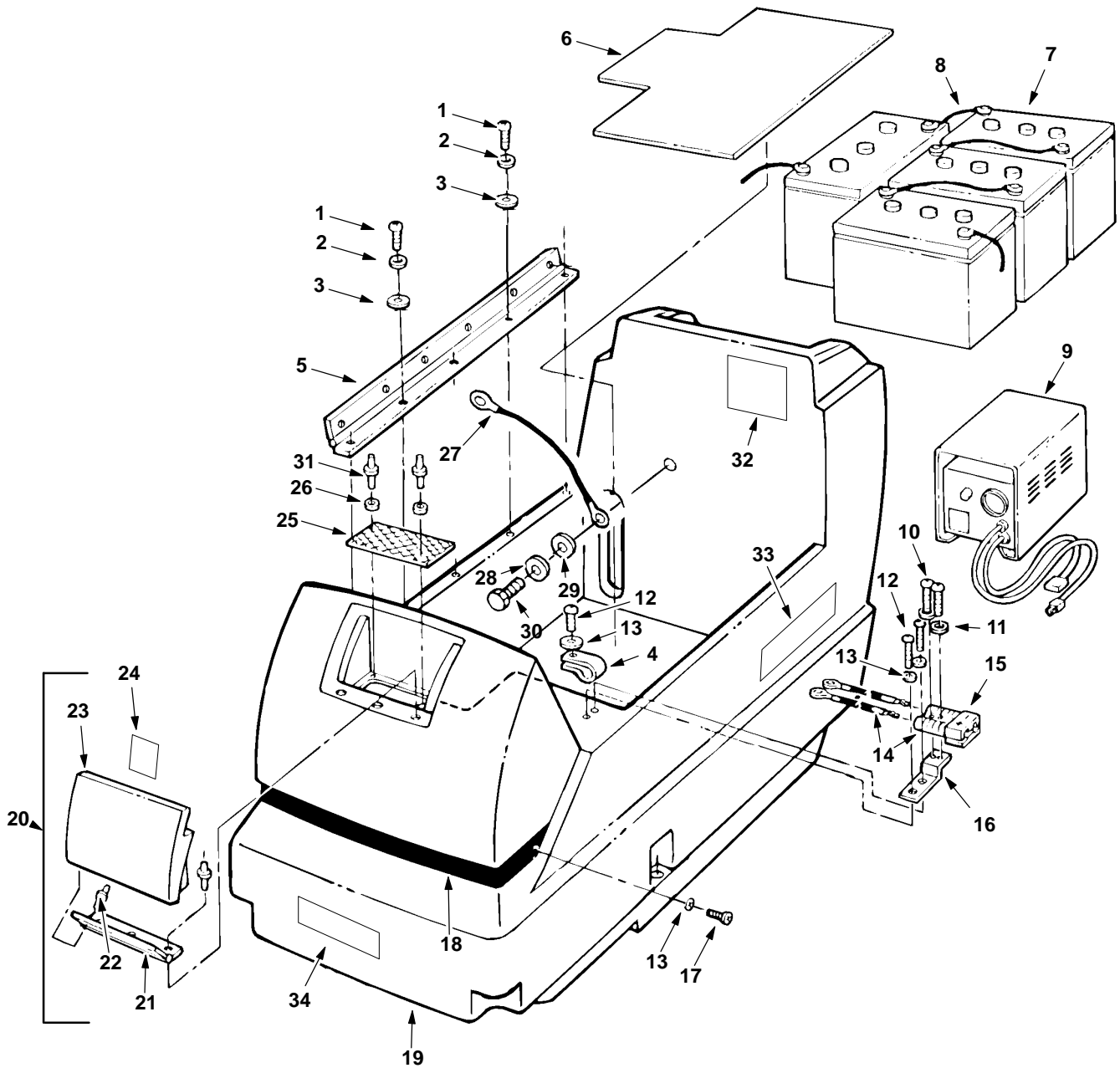
WIRING DIAGRAM DIAGRAMA DE CABLEADO



LADDER



CHASSIS ASSEMBLY
CONJUNTO TELAIO



**CHASSIS ASSEMBLY
CONJUNTO TELAIO**

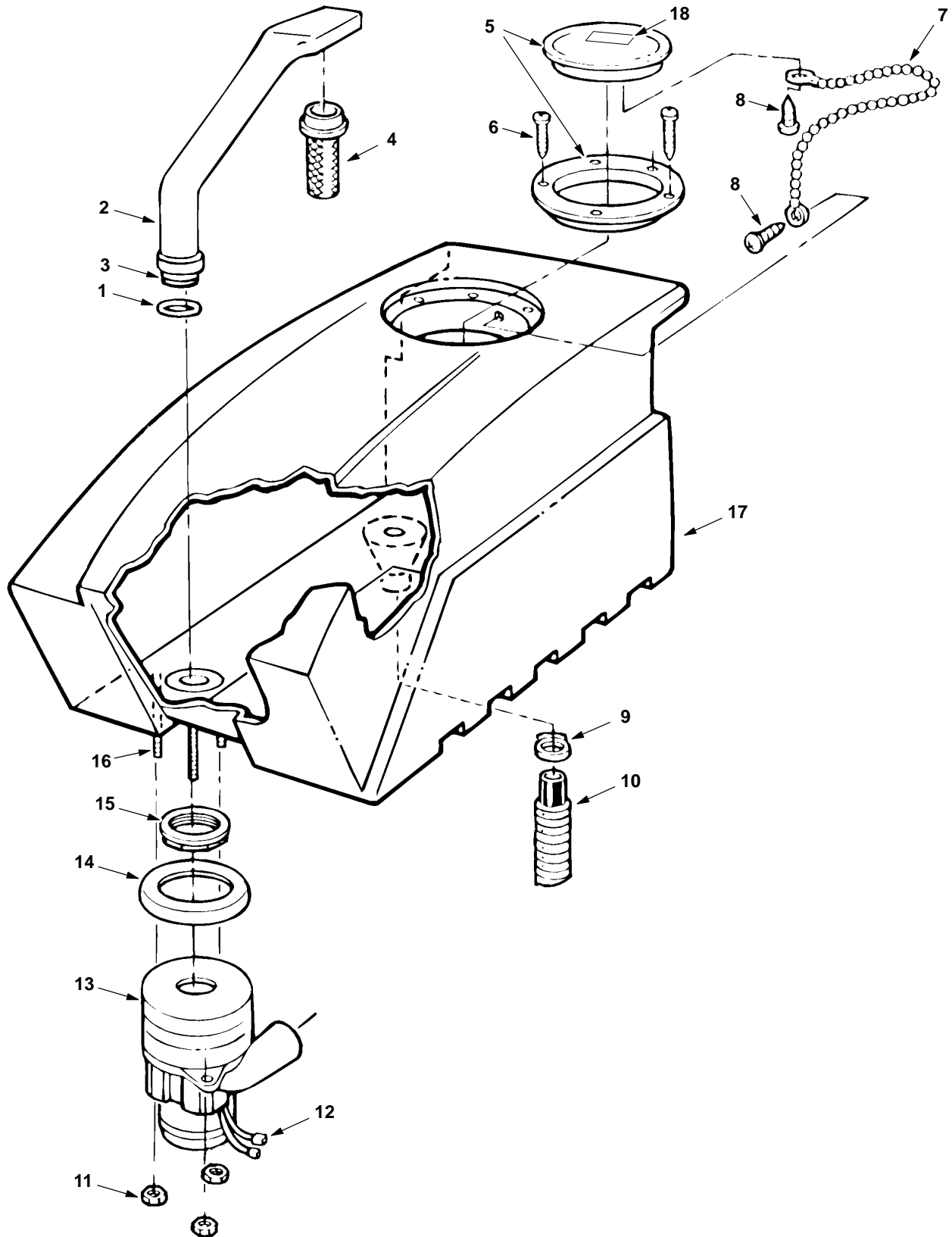
REF	PART #	DESCRIPTION	QTY.
1	578187000	SCREW	11
2	140052	WASHER, EXT LOCK 1/4"	11
3	140000	WASHER, FLAT 1/4	11
4	140300	CLAMP	1
5	230938	HINGE, REC. TANK	1
6	100707	PLATE, BATTERY	1
7	130870	BATTERY, 6V 305A	4
8	130367	CABLE, BATTERY 15"	3
9	130871	CHARGER, BATT 120V	1
	600603	CHARGER, BATT 230V/50Hz	1
10.	2728.12	SCREW, 6/32 X 3/4	2
11.	140019	WASHER, EXT. LOCK	2
12.	578141000	SCREW, M5X10	5
13.	140018	WASHER, INT LCK	3
∇14	700999	ASM, CHARG PLUG WIRE	1
▲	700179	WIRE ASM., #10X18" (RED)	1
▲	700180	WIRE ASM., #10X24" (BLACK)	1
▲15	27833	CONNECTOR	1
16	230665	BRACKET, CHARGER PLUG	1
17	578141000	SCREW	2
18	230937.BK	SHIELD, LIGHT	1
	130020	LIGHT, SAFETY	1
	26578	GASKET, 1/2"X3 ft	3 ft.

REF	PART #	DESCRIPTION	QTY.
19	607513	TANK, SOLUTION REPL., TEAL	1
∇20	607982	ASM., COVER SOL. TANK, TEAL	1
▲21	230626	HINGE, COVER	1
▲22	140706	RIVET, POP 1/8	5
▲23	607515	COVER, SOL. TANK, TEAL	1
24	630420	DECAL. WARNING	1
25	602529	SCREEN, FILL	1
26	140032	WASHER, FLAT #6	2
27	140960	CABLE, RECOV TANK	1
28	140015	WASHER, LOCK	2
29	140027	WASHER, FLAT	2
30	200031488	SCREW, M08X20MM	2
31	140826	RIVET, POP	2
32	120567	DECAL, BATTERY	1
33	608110	DECAL, 5540	2
	608111	DECAL, 5560	2
34	120192	DECAL, TENNANT LOGO	1

∇=ASSEMBLY / CONJUNTO

▲=INCLUDED IN ASSEMBLY / INCLUIDO A CONJUNTA

RECOVERY TANK ASSEMBLY
CONJ. DESPOSITO RECUPERAR



**RECOVERY TANK ASSEMBLY
CONJ. DESPOSITO RECUPERAR**

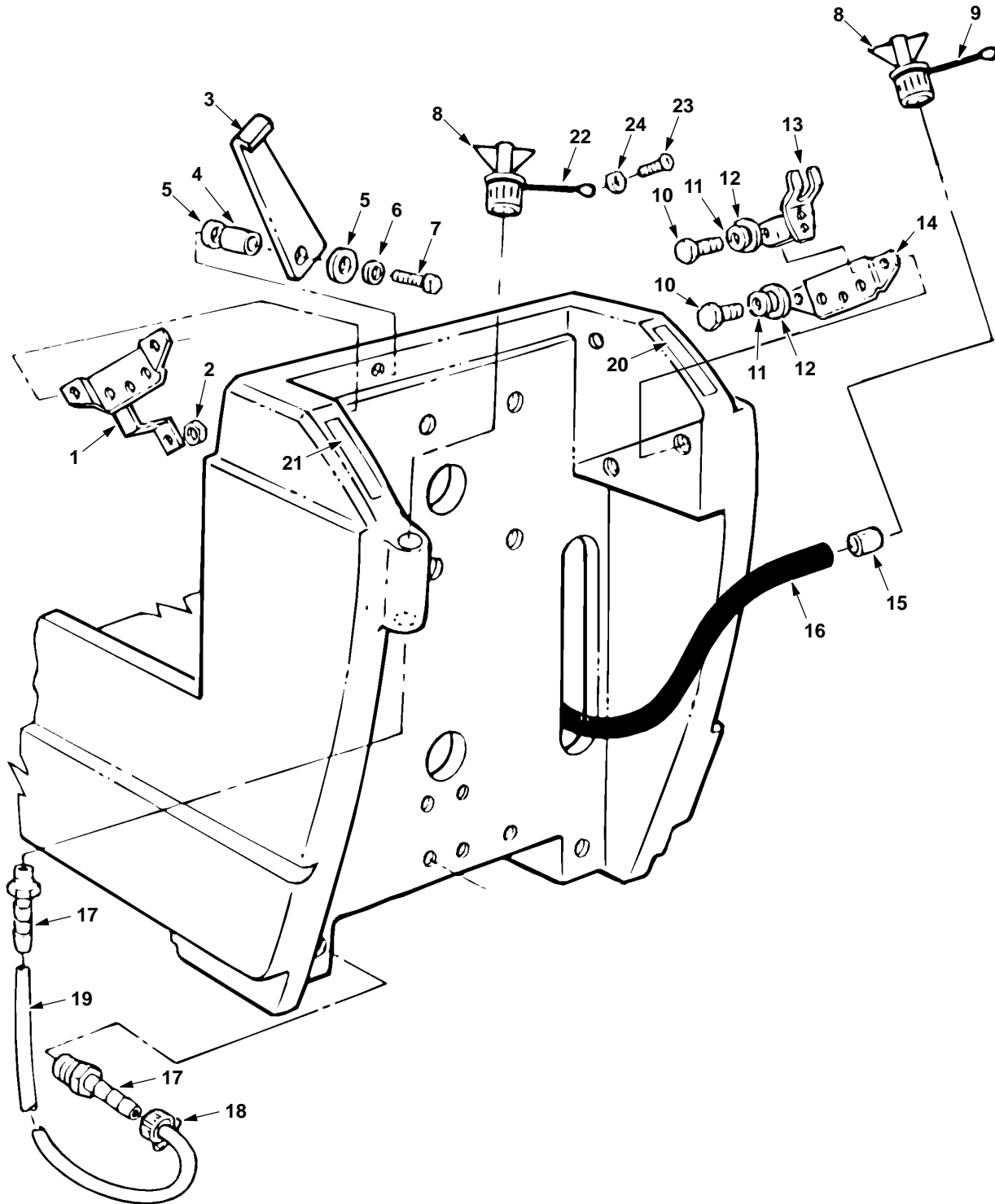
REF	PART #	DESCRIPTION	QTY.
1	101714	GASKET, VAC TUBE	1
∇2	100162	ASM., VACUUM TUBE	1
▲	100759	VACUUM TUBE	1
▲3	230187	NIPPLE, TUBE	1
4	180613	FLOAT, SHUT-OFF	1
∇5	100102	LID, ASSY.	1
▲	100105	LID, CENTER	1
▲	100109	LID, OUTER RING	1
6	140826	SCREW, #6 X 3/4"	6
7	230513	ASM., CHAIN	1
8	3701.6	SCREW,#6X3/8	2

REF	PART #	DESCRIPTION	QTY.
9	140308	CLAMP, HOSE	1
10	630068	HOSE, DRAIN	1
11	140284	NUT, LOCK	3
12	130149	TERMINAL, MALE	2
∇13	130477	MOTOR, VACUUM 24V	1
▲	190163	CARBON BRUSH (2/PK)	2
14	0174..10	SEAT, MOTOR	1
15	210240	NUT, FLANGED METAL	1
16	140353	STUD, THREADED	3
17	607511	TANK, RECOVERY, TEAL	1
18	630420	DECAL, WARNING	1

∇=ASSEMBLY / CONJUNTO

▲=INCLUDED IN ASSEMBLY / INCLUIDO A CONJUNTA

REAR PANEL ASSEMBLY
CONJUNTO PANEL TRASERA

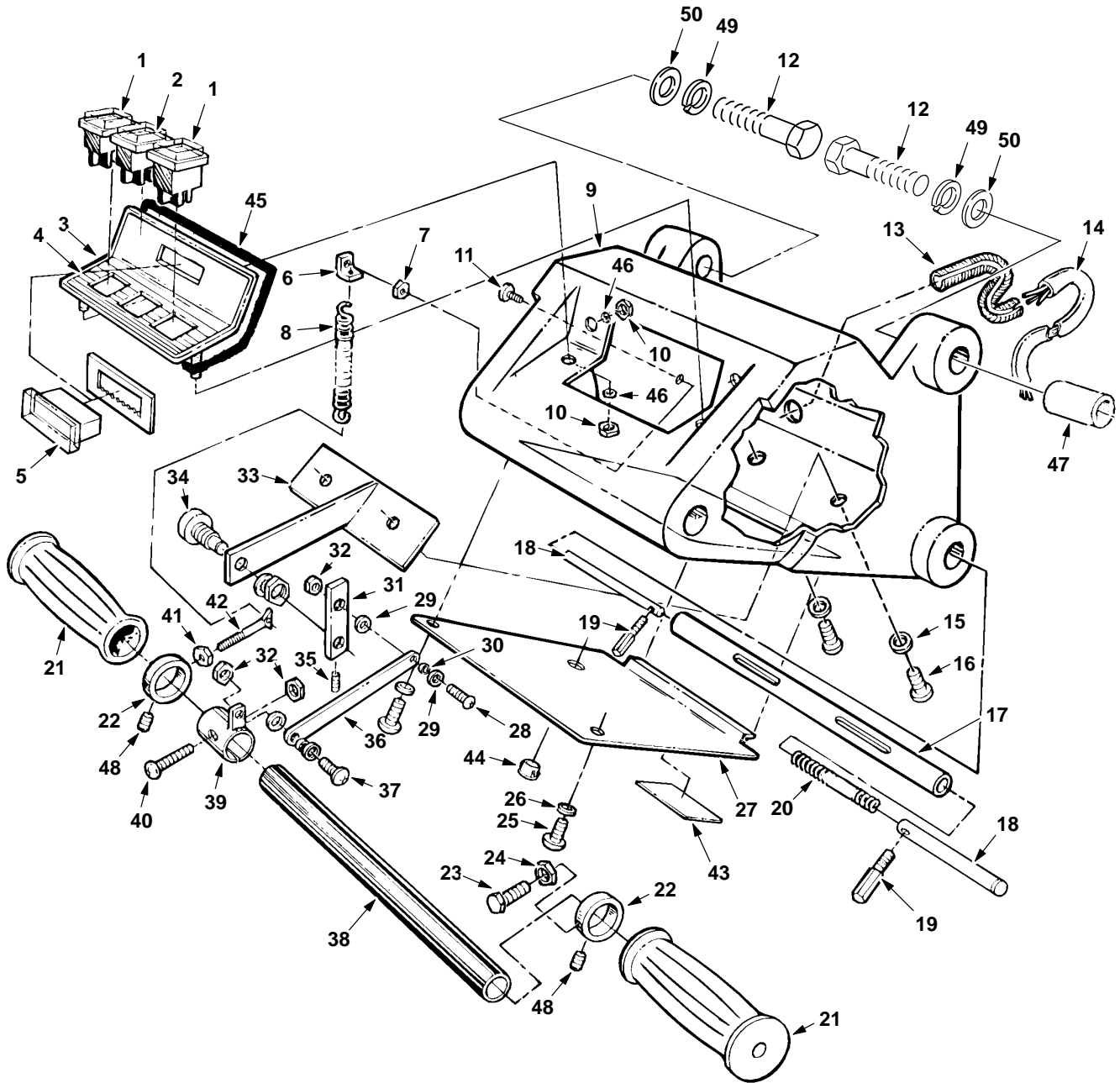


**REAR PANEL ASSEMBLY
CONJUNTO PANEL TRASERA**

REF	PART #	DESCRIPTION	QTY.
1	230297	PLATE, LOCK	1
2	140515	NUT, LOCK 3/8-16	1
3	230925	SUPPORT, TANK	1
4	140116	BUSHING	1
5	140027	WASHER, FLAT 5/16"	2
6	140015	WASHER, LOCK 5/16	1
7	578237000	SCREW, M8X1.25X18	1
8	621324	PLUG, EXPANSION	2
9	578441	STRAP, DRAIN HOSE	2
10	578237000	SCREW, M8X1.25X18	4
11	140015	WASHER, LOCK 5/16	4
12	140027	WASHER, FLAT 5/16"	4

REF	PART #	DESCRIPTION	QTY.
13	600280.BK	BRACKET, HANGER	1
14	230661	PLATE, LOCK	1
15	630394	SLEEVE, DRAIN HOSE	1
16	630068	HOSE, DRAIN 38.1ID	1
17	150529	HOSE BARB	2
18	140310	CLAMP, HOSE	1
19	600796	ASM., HOSE	1
20	600649	DECAL, SOL. CONTROL	1
21	600650	DECAL, SQG. UP-DOWN	1
22	600476	STRAP, REAR FILL	1
23	140350	SCREW	1
24	140012	WASHER	1

CONTROL CONSOLE ASSEMBLY
CONJUNTO CONSOLA DE CONTROLES

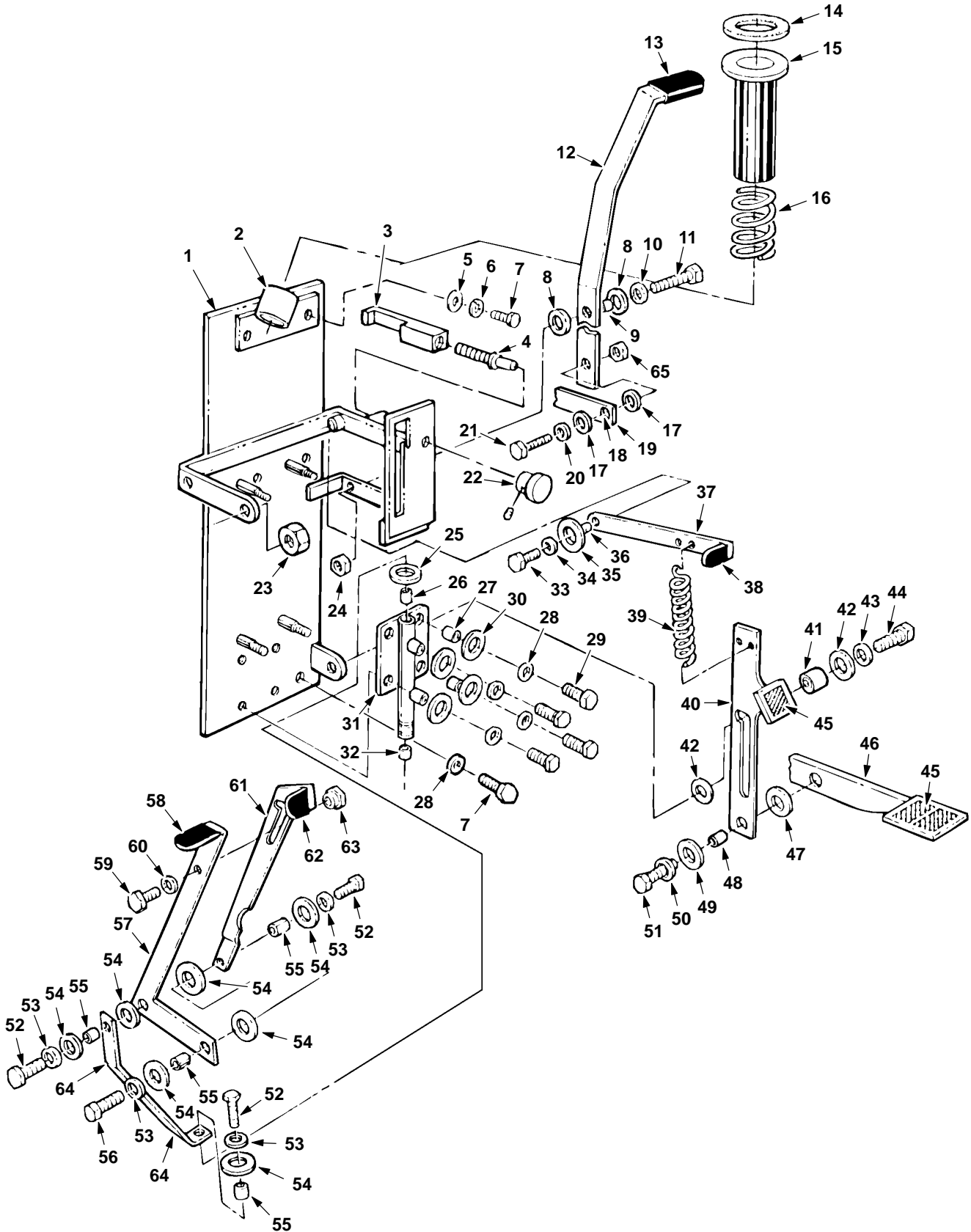


**CONTROL CONSOLE ASSEMBLY
CONJUNTO CONSOLA DE CONTROLES**

REF	PART #	DESCRIPTION	QTY.
1	130816	SWITCH, ROCKER	2
2	130764	SWITCH, ROCKER	1
3	230698.BK	PANEL, CONSOLE BLACK	1
4	600648	DECAL, DASH	1
5	130015	METER, BATTERY 24V	1
6	230564	BRACKET, SPRING	1
7	140519	NUT, KEP 10-24	1
8	140409	SPRING, ROLL THRTTL	1
9	607509	HOUSING, CONTROL, TEAL	1
10	140519	NUT, KEP 10-24	4
11	140900	SCREW,10-24X3/4	1
12	140351	SCREW, M12X1.75X70	2
13	130008	WRAP 1.25' FT.	1
14	700996	ASM., HARNESS	1
15	140052	WASHER, LOCK 1/4"	2
16	140885	SCREW, 1/4-20X1/2	2
17	230613	TUBE, HANDLE ADJT.	1
18	230648	PIN, HANDLE ADJT.	2
19	230649	LEVER, HANDLE ADJT.	2
20	140415	SPRING, LOCK PIN	1
21	200823	GRIP, HANDLE BLACK	2
22	230652	COLLAR, HANDLE	2
23	140554	SCREW, 1/4-20 X 3/4	1
24	140510	NUT, 1/4-20	1
25	140887	SCREW,10-24X3/8	2

REF	PART #	DESCRIPTION	QTY.
26	140018	WASHER, INT LCK #10	2
27	230668.BK	COVER, CNTRL PANEL	1
28	140900	SCREW,10-24X3/4	1
29	140012	WASHER, FLAT 3/16"	4
30	140138	BUSHING	2
31	230688	ARM, LEVER SPEED POT.	1
32	140519	NUT, KEP 10-24	3
33	230690	BRACKET, SPEED POT	1
34	190802	KIT, POTENTIOMETER	1
35	140948	SCREW,10-24X1/4	1
36	230689	LINK, SPEED POT	1
37	140900	SCREW, 10-24X3/4	1
38	230671	HANDLE, TUBE	1
39	230687	BRACKET, TUBE	1
40	140899	SCREW,10-24X1-1/4	1
41	140510	NUT, 1/4-20	1
42	230491	PIN, SPRING RETURN	1
43	120619	DECAL, WARNING	1
44	069764626	PLUG	1
45	100057	GASKET	1
46	140000	WASHER	6
47	140155	BUSHING	2
48	140859	SCREW, SET	2
49	140024	WASHER, LOCK	2
50	3148.816	WASHER, FLAT	2

LEVER ASSEMBLY
CONJ. DE PALANCAS

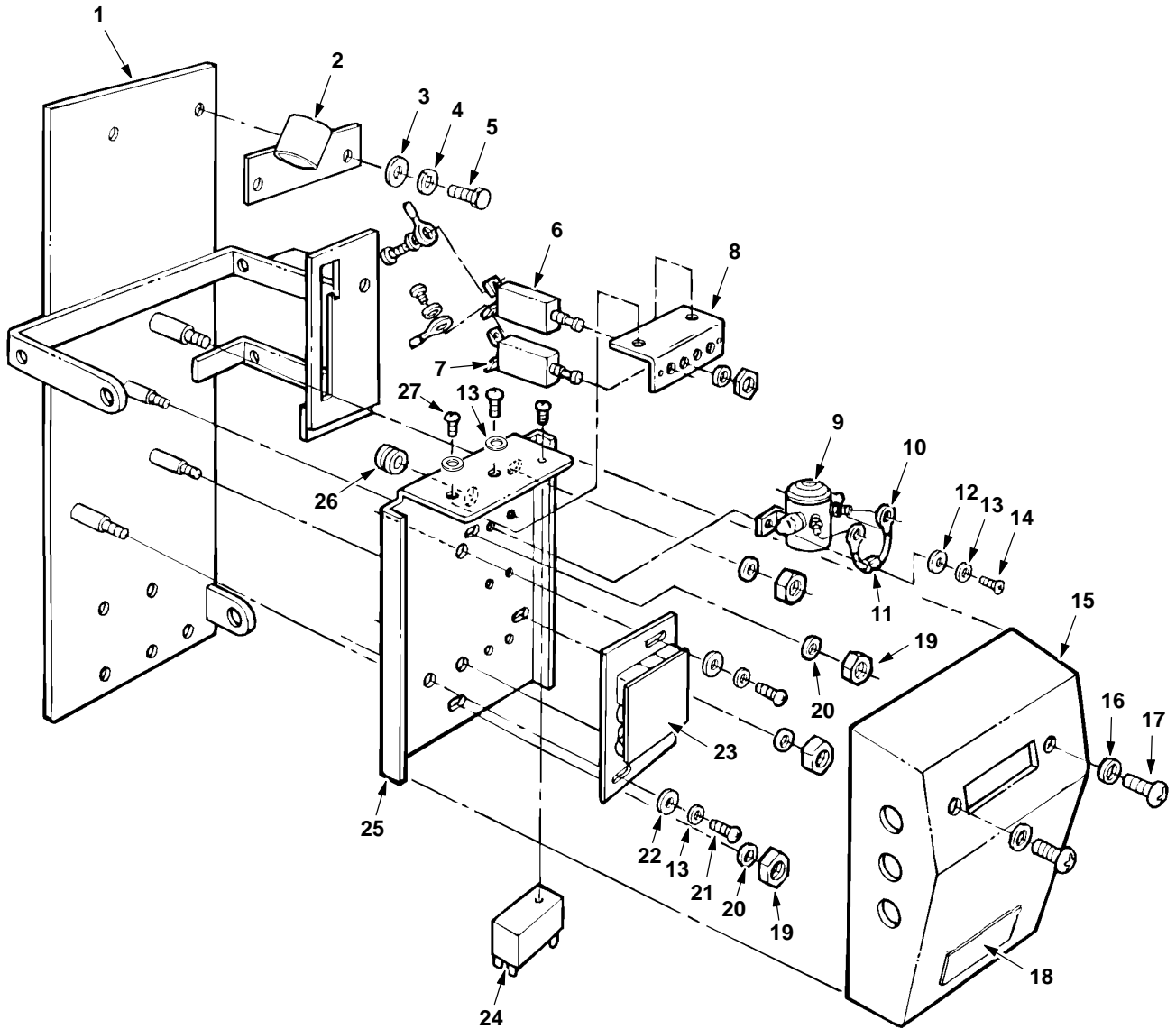


**LEVER ASSEMBLY
CONJ. DE PALANCAS**

REF	PART #	DESCRIPTION	QTY.
1	230933.BK	PANEL, REAR	1
2	230939	BRACKET, TUBE	1
3	230944	BLOCK, VALVE STOP	1
4	230945	STUD, VALVE ADJ STOP	1
5	140027	WASHER, FLAT 5/16"	2
6	140015	WASHER, LOCK 5/16	4
7	578237000	SCREW, M8X1.25X18	2
8	140028	WASHER, FLAT 3/8"	2
9	140136	BUSHING	1
10	140017	WASHER, LOCK 3/8"	1
11	140202	SCREW,3/8-16X1	1
12	230680.BK	HANDLE, VALVE LEVER	1
13	200816	GRIP, HANDLE	1
14	100151	GASKET, TUBE	1
15	230664	ADAPTER, TUBE	1
16	140424	SPRING, TUBE ADAPTER	1
17	140000	WASHER, FLAT 1/4"	2
18	140134	BUSHING	1
19	230656	LEVER, VALVE	1
20	140016	WASHER, LOCK 1/4"	1
21	140208	SCREW,1/4-20X1	1
22	240208	KNOB, HEIGHT ADJT.	1
23	140515	NUT, 3/8-16	1
24	140525	NUT, HEX 3/8-16	1
25	140028	WASHER, FLAT 3/8"	1
26	140103	BEARING, FLANGE	1
27	140133	BUSHING	4
28	140015	WASHER, LOCK 5/16	5
29	578237000	SCREW, 5/16-18X3/4	7
30	140027	WASHER, FLAT 5/16"	4
31	230750	BRACKET, SQG. MOUNT	1
32	140103	BEARING, FLANGE	1
33	2949.7	SCREW, CAP 3/8-16X7/8	1

REF	PART #	DESCRIPTION	QTY.
34	140017	WASHER, LOCK 3/8"	1
35	140028	WASHER, FLAT 3/8"	1
36	140144	BUSHING	1
37	230654	HANDLE, BRUSH	1
38	200816	GRIP, HANDLE	1
39	140423	SPRING	2
40	230775	PEDAL, BRUSH LIFT	1
41	140145	BUSHING (OUTER)	1
	140136	BUSHING (INNER)	1
42	140028	WASHER, FLAT 3/8"	2
43	140017	WASHER, LOCK 3/8"	1
44	140202	SCREW,3/8-16X1	1
45	102560	SURFACING, NON SLIP	3
46	230936	PEDAL, BRUSH LIFT	1
47	140045	WASHER, FLAT	1
48	140139	BUSHING	1
49	140045	WASHER, FLAT 3/8"	1
50	140024	WASHER, LOCK 1/2"	1
51	140237	SCREW,1/2-13X1	1
52	140201	SCREW,3/8-16X3/4	3
53	140017	WASHER, LOCK 3/8"	4
54	140028	WASHER, FLAT 3/8"	7
55	140136	BUSHING	4
56	140231	SCREW, 3/8X1-1/2	1
57	230658.BK	HANDLE, SQUEEGEE	1
58	200816	GRIP, HANDLE	1
59	140259	SCREW,1/4-20X5/8	1
60	140016	WASHER, LOCK 1/4"	1
61	230659	LATCH, SQUEEGEE LIFT	1
62	200817	GRIP, HANDLE	1
63	230631	SPACER	1
64	230660	LINK, HANDLE	1
65	140510	NUT,1/4-20	1

ELECTRICAL PANEL ASSEMBLY
CONJ. CONSOLA ELÉCTRICO

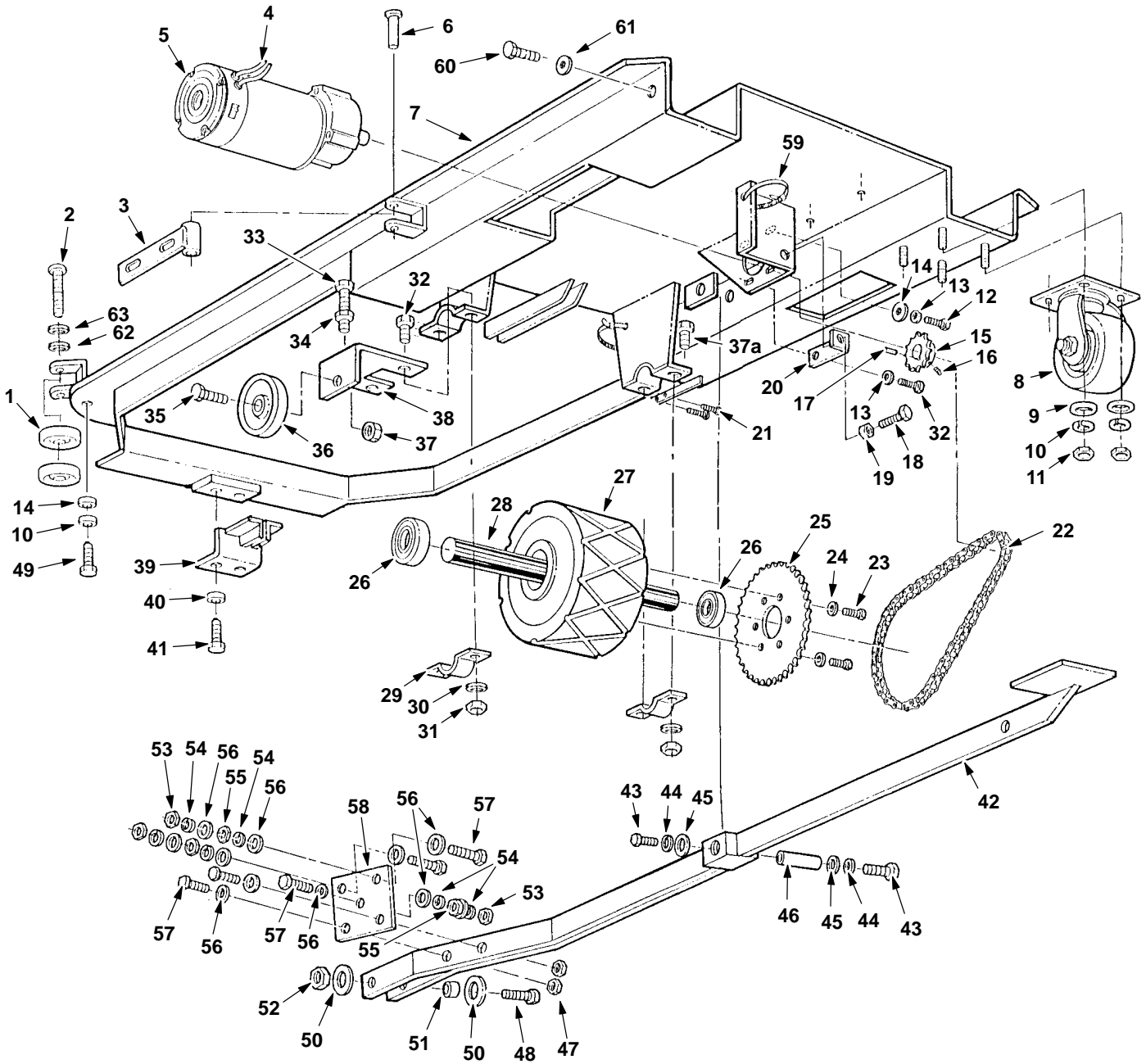


**ELECTRICAL PANEL ASSEMBLY
CONJ. CONSOLA ELÉCTRICO**

REF	PART #	DESCRIPTION	QTY.
1	230933.BK	PANEL, REAR	1
2	230939	BRACKET, TUBE	1
3	140027	WASHER, FLAT 5/16"	2
4	140015	WASHER, LOCK 5/16	2
5	200031488	SCREW	2
6	130756	BREAKER, CIRCUIT 35A	3
7	130755	BREAKER, CIRCUIT 10A	1
8	230553	BRACKET, CIRCUIT BREAKER	1
9	130218	SOLENOID 24 VOLT	3
10	130125	TERMINAL	6
11	130423	RECTIFIER	3
12	140012	WASHER, FLAT 3/16	6
13	140031	WASHER, EXT. LOCK #10	10
14	140887	SCREW	6

REF	PART #	DESCRIPTION	QTY.
15	100234	COVER, ELECTRICAL PANEL	1
16	140018	WASHER, LOCK #10	2
17	140892	SCREW,10-24X1/2	2
18	600651	DECAL, CIRCUIT BREAKER	1
19	14284	NUT, LOCK	4
20	140000	WASHER, FLAT 1/4"	4
21	140887	SCREW,10-24X3/8	2
22	140012	WASHER, FLAT	2
23	701118	ASM, SPEED CNTRL BOARD	1
24	130021	FLASHER, 24VDC	1
25	230552	PANEL, ELECTRICAL	1
26	130104	BUSHING, SNAP	1
27	140887	SCREW,10-24X3/8	2

DRIVE WHEEL ASSEMBLY
CONJUNTO RUEDA DE MANDO



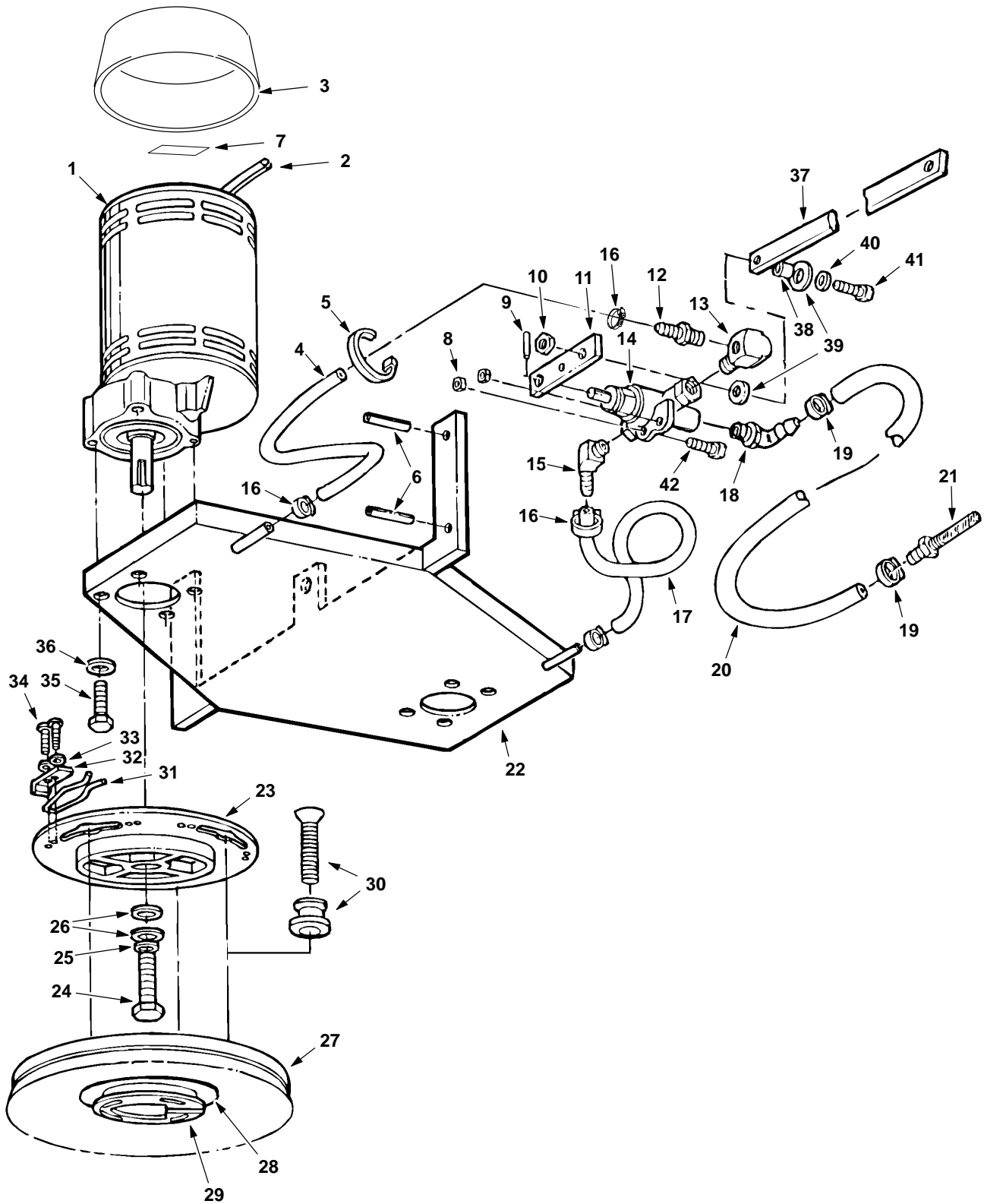
**DRIVE WHEEL ASSEMBLY
CONJUNTO RUEDA DE MANDO**

REF	PART #	DESCRIPTION	QTY.
1	630450	WHEEL	4
2	600349	SCREW	2
3	230942	BRACKET, SKIRT MOUNT	2
4	130116	TERMINAL	2
∇5	130464	MOTOR, DRIVE 1/2HP 24V	1
▲	130507	CAP, CARBON BRUSH	4
▲	130508	CARBON BRUSH	4
6	230943	PIN, SKIRT	2
7	230932.BK	CHASSIS	1
8	103002	CASTER, 4" SWIVEL	2
9	140025	WASHER, FLAT	8
10	140333	WASHER, LOCK	10
11	140285	NUT, HEX	8
12	140202	SCREW, 3/8-16X1	3
13	140017	WASHER, LOCK 3/8"	3
14	140028	WASHER, FLAT 3/8"	3
15	240071	SPROCKET, MOTOR	1
16	140859	SCREW, SET	2
17	140632	KEY, 1/4 X 1"	1
18	140231	SCREW, 3/8-16X1-1/2	1
19	140525	NUT, 3/8-16	1
20	230655	BRACKET, TENSION	1
21	140895	SCREW, 10-24 x 3/4	2
∇22	600777	KIT, CHAIN	1
▲	240072	CHAIN, 2.54FT	1
▲	240021	LINK, CONNECTING	1
▲	240073	LINK, HALF	1
23	140223	SCREW, 5/16-18 x 3/4	6
24	140015	WASHER, LOCK 5/16	6
25	240070	SPROCKET, DRIVE WHEEL	1
26	140124	BEARING, WHEEL	2
27	103058	WHEEL, DRIVE 8"	1
28	230205	SHAFT, DRIVE WHEEL	1
29	140311.BK	CLAMP, WHEEL AXLE	2
30	140017	WASHER, LOCK 3/8	4
31	140525	NUT, HEX 3/8-16	4
32	140232	SCREW, 3/8-16 X 1-1/4	2
32a	140202	SCREW, 3/8-16X1	2
33	140231	SCREW, 3/8-16X1-1/2	1
34	140525	NUT, 3/8-16	1

REF	PART #	DESCRIPTION	QTY.
35	140233	SCREW, 3/8-16X1-3/4	1
36	103007	WHEEL, TIP	1
37	140525	NUT, 3/8-16	1
38	230796	BRACKET, TIP WHEEL	1
39	230941	BRACKET	1
40	140015	WASHER, LOCK 5/16	2
41	140275	SCREW	2
42	230936	LIFT ARM	1
43	140272	SCREW	2
44	140016	WASHER, LOCK 1/4"	2
45	140003	WASHER, FLAT 1/4"	2
46	230940	PIN, LIFT ARM PIVOT	1
47	140524	NUT, KEP 1/4-20	2
48	600666	SCREW	1
49	140276	SCREW	2
50	140045	WASHER, FLAT	2
51	140137	BUSHING	1
52	140509	NUT, 1/2-13	1
53	140510	NUT, 1/4-20	3
54	140016	WASHER, LOCK 1/4"	6
55	140510	NUT, 1/4-20	6
56	140000	WASHER, FLAT 1/4"	11
57	140208	SCREW, 1/4-20 X 1	5
58	230554	BOARD, CONNECTION	1
59	130040	WIRE TIE, NYLON	2
60	140352	SCREW	4
61	140024	WASHER, LOCK 1/2	4
62	140011	WASHER, FLAT	2
63	140015	WASHER, LOCK	2

∇=ASSEMBLY / CONJUNTO
▲=INCLUDED IN ASSEMBLY / INCLUIDO A CONJUNTA

BRUSH DRIVE ASSEMBLY
CONJ. IMPULSO DE CEPILLO



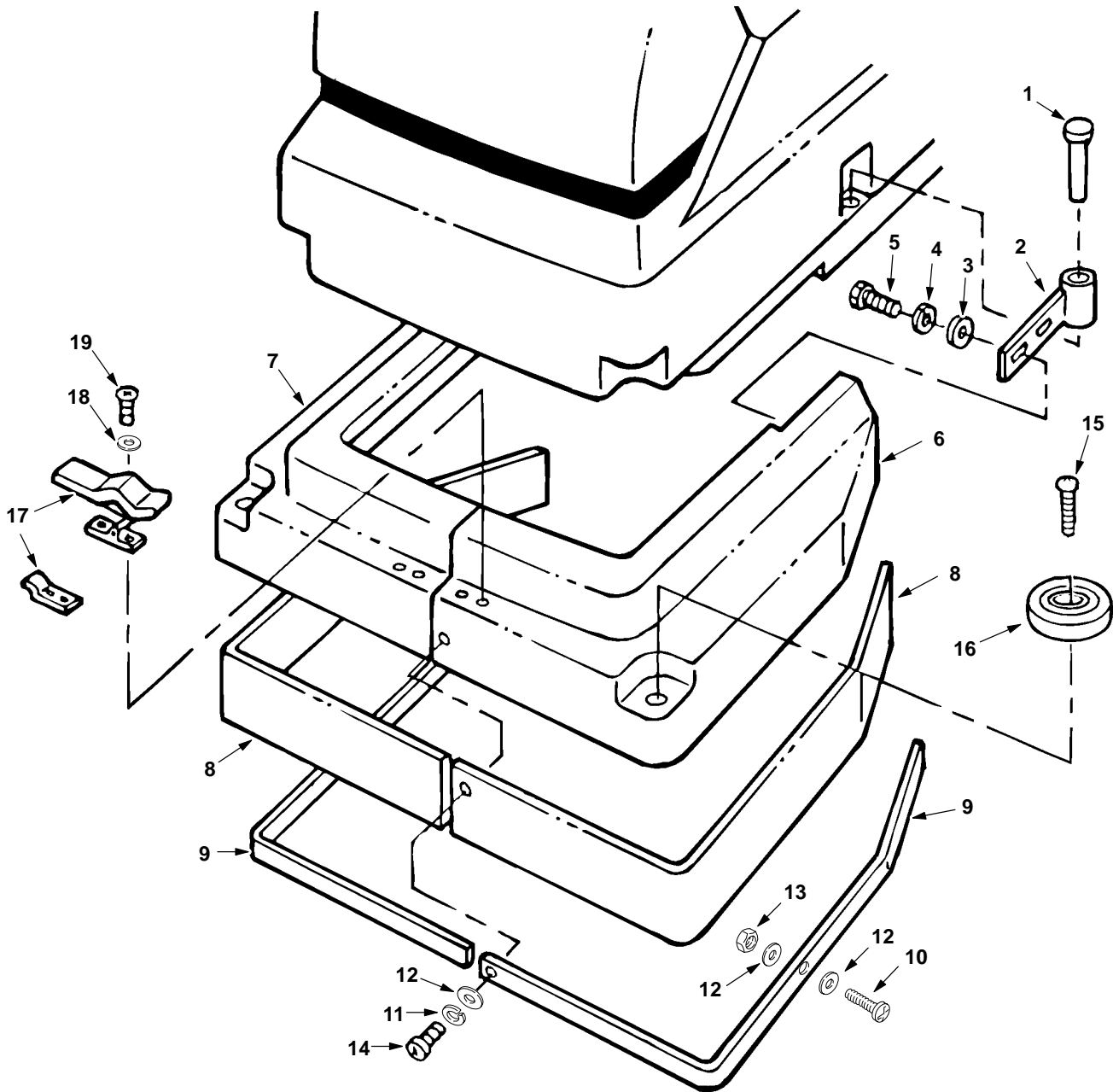
**BRUSH DRIVE ASSEMBLY
CONJ. IMPULSO DE CEPILLO**

REF	PART #	DESCRIPTION	QTY.
▽1	130491	MOTOR,24V	2
▲	140632	- KEY, MOTOR	2
▲	190970	- CARBON BRUSH	4
2	130163	TERMINAL, RING	2
3	100764	COVER, MOTOR	2
4	160625	HOSE, 3/8	1.2 ft.
5	130041	WIRE TIE, NYLON	1
6	140618	PIN, ROLL, 1/4X1-1/2	4
7	100058	TAPE, MOTOR COVER	1
8	140552	NUT, NYLON LOCK 10-24	2
9	140616	PIN, ROLL 3/32 X 5/8	1
10	140510	NUT,1/4-20	1
11	230657	ARM, VALVE	1
12	150516	HOSE BARB, 1/4M X 3/8H	1
13	150406	ELBOW, 1/4" X 90°	1
14	210259	VALVE, SOLUTION	1
15	28303	HOSE BARB	1
16	140310	CLAMP, HOSE	4
17	160625	HOSE, 3/8	.54 ft.
18	150410	HOSE BARB, 90°	1
19	140310	CLAMP, HOSE	2
20	600350	TUBING, VINYL	1.1 ft.
21	180640	FILTER, SOLUTION TANK	1
22	230674	BRACKET, MOTOR (5540)	1
	230691	BRACKET, MOTOR (5560)	1

REF	PART #	DESCRIPTION	QTY.
23	230672	PLATE, DRIVE	2
24	140219	SCREW, 5/16-18X1	2
25	140015	WASHER, LOCK 5/16	2
26	25732	WASHER, FLAT	4
▽27	240232	DRIVER,PAD (5540) PK/2	1
▽	240233	DRIVER,PAD (5560) PK/2	1
▲28	100106	PLATE, PAD DRIVER	2
▲29	100107	RING, PAD RETAINER	2
▲30	240238	LUGS W/SCREWS (SET/3)	2
31	140417	CLIP, SPRING	2
32	230651	CLAMP, BRUSH PLATE	2
33	140018	WASHER, INT LOCK #10	4
34	140887	SCREW,10-24X3/8	4
35	140202	SCREW,3/8-16X1	8
36	140017	WASHER, LOCK 3/8"	8
37	230656	LEVER, VALVE	1
38	140134	BUSHING	1
39	140000	WASHER, FLAT 1/4	2
40	140016	WASHER, LOCK 1/4	1
41	140208	SCREW,1/4-20X1	1
42	140895	SCREW	2

▽=ASSEMBLY / CONJUNTO
▲=INCLUDED IN ASSEMBLY / INCLUIDO A CONJUNTA

SKIRT ASSEMBLY
CONJUNTO JUEGO

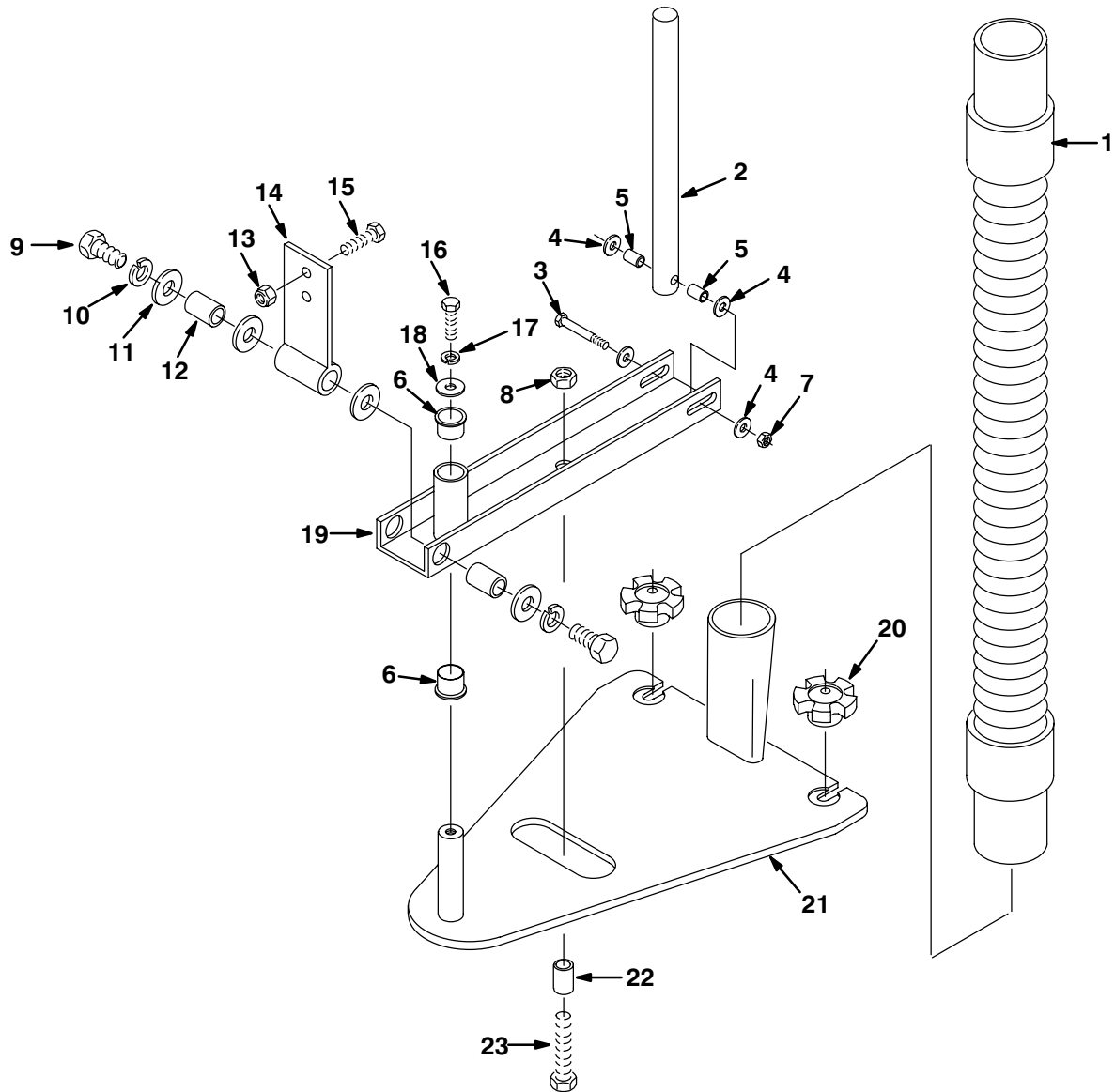


SKIRT ASSEMBLY
CONJUNTO JUEGO

REF	PART #	DESCRIPTION	QTY.
1	230943	PIN, SKIRT	2
2	230942	BRACKET, SKIRT	2
3	140027	WASHER, FLAT 5/16	4
4	069762311	WASHER, LOCK 5/16	4
5	578237000	SCREW, M8X18	4
6	607517	HOUSING, SKIRT LH, TEAL (5540)	1
6	607545	HOUSING, SKIRT LH, TEAL (5560)	1
7	607519	HOUSING, SKIRT RH, TEAL (5540)	1
7	607543	HOUSING, SKIRT RH, TEAL (5560)	1
8	240277	GUARD, SPLASH (5540)	2
	240276	GUARD, SPLASH (5560)	2
9	230935.BK	STRAP, (5540)	2
	230934.BK	STRAP, (5560)	2

REF	PART #	DESCRIPTION	QTY.
10	140293	SCREW, M5X.8X30MM	12
11	140018	WASHER, INT LOCK #10	12
12	140011	WASHER, FLAT 3/16	36
13	140283	NUT, M5X.8	12
14	578144000	SCREW, M5X16	12
15	069767190	SCREW, M08X40MM	2
16	630450	WHEEL, RUBBER	2
17	140932	LATCH	1
18	140023	WASHER, INT LOCK #8	4
19	200070340	SCREW, M04X08MM	4

SQUEEGEE CONTROL GROUP



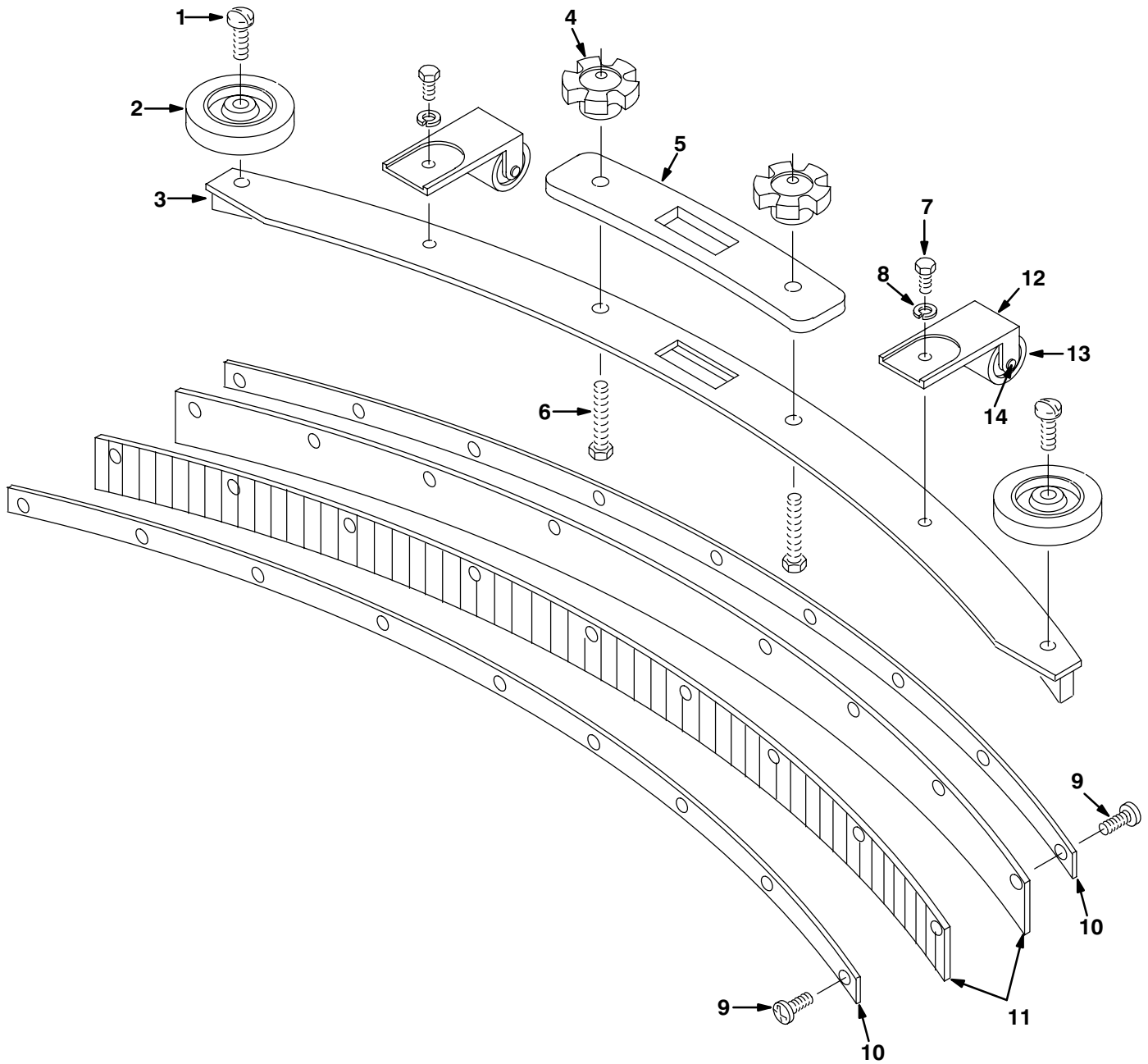
SQUEEGEE CONTROL GROUP

REF	PART #	DESCRIPTION	QTY.
1	160613	●HOSE, VAC 1.5 X 30" W/ CUFFS	1
2	230441	SHAFT, LIFT	1
3	140209	SCREW, 1/4-20 X 2-1/2	1
4	140000	WASHER, 1/4	4
5	28971	BEARING SLEEVE	2
6	140103	BEARING, FLANGE	2
7	140501	NUT, 1/4-20	1
8	140509	NUT, 1/2-13	1
9	140237	SCREW, 1/2-13 X 1	2
10	140024	WASHER, 1/2	2
11	140045	WASHER, .510 X 1.25 X .06	4
12	140139	BUSHING, BRUSH LIFT PEDAL	2

REF	PART #	DESCRIPTION	QTY.
13	140546	NUT, 5/16-18	2
14	230442	BRACKET, SQUEEGEE MOUNT	1
15	140223	SCREW, 5/16-18 X 3/4	2
16	140259	SCREW, 1/4-20 X 5/8	1
17	140016	WASHER, 1/4	1
18	140003	WASHER, 1/4 X 1	1
19	230440.BK	BRACKET, SQUEEGEE PIVOT	1
20	27257	KNOB, 5/16-18 THREAD - BLACK	2
21	230443.BK	WELDMENT, SQUEEGEE MOUNT PLATE	1
22	140911	BUSHING, SPACER .62 DIA	1
23	140204	SCREW, 1/2-13 X 1-1/2	1

●=RECOMMENDED STOCK ITEMS/PIEZAS RECOMENDADAS EN ALMACÉN

SQUEEGEE GROUP



SQUEEGEE GROUP

REF	PART #	DESCRIPTION	QTY.
▽	603263	ASSEMBLY, SQUEEGEE, CURVED 5540	1
▽	603264	ASSEMBLY, SQUEEGEE, CURVED 5560	1
▲1	140799	SCREW, 5/16-18 X 1-1/2	2
▲2	630450	WHEEL, 76 DIA X 22 WD RUBBER	2
▲3	602960	SQUEEGEE WELDMENT, 5540	1
	603247	SQUEEGEE WELDMENT, 5560	1
▲4	27257	●KNOB, 5/16-18 THREAD - BLACK	2
▲5	603260	GASKET, SQUEEGEE CURVED	1
▲6	140221	SCREW, 5/16-18 X 1-1/4	2
▲7	140226	SCREW, 5/16-18 X 5/8	2

REF	PART #	DESCRIPTION	QTY.
▲8	140015	WASHER, 5/16 SPLITLOCK	2
▲9	605975	SCREW, 10-24 X 1/2"	24-28
▲10	602963	PLATE, SQUEEGEE RETAINING 5540	2
	603248	PLATE, SQUEEGEE RETAINING 5560	2
▲11	603661	●BLADE, SQUEEGEE 34" (5540)	2
	603662	●BLADE, SQUEEGEE 40" (5560)	2
▲▽	700844	●ASM., SQUEEGEE ROLLER	2
▲12	230474.BK	BRACKET, SQUEEGEE ROLLER	2
▲13	26548	ROLLER	2
▲14	140710	RIVET, AXLE 3/8 X 1.6	2

●=RECOMMENDED STOCK ITEMS/PIEZAS RECOMENDADAS EN ALMACÉN

▽=ASSEMBLY / CONJUNTO

▲=INCLUDED IN ASSEMBLY / INCLUIDO A CONJUNTA