



## Electronic Service Manuals

This electronic document is provided as a service to our customers. We do not create the contents of the information contained in this document. Should you have detailed questions pertaining to the information contained in this document, you may contact Michco, or the manufacturer which provided the original information in this electronic deliverable. Michco's only part in this electronic deliverable was the electronic assembly process. By providing this manual on line we are not guaranteeing parts availability.

You may contact Michco through the following methods:

Phone (517) 484-9312 or (800) 331-3339

2011 N. High St. -- Lansing, Michigan -- 48906

Fax: (517) 484-9836

Email: [CustServe@Michco.com](mailto:CustServe@Michco.com)

Web site: [www.Michco.Com](http://www.Michco.Com)

Parts Web site: [www.FloorMachineParts.Com](http://www.FloorMachineParts.Com)

Order Parts on Line at:

**[www.FloorMachineParts.Com](http://www.FloorMachineParts.Com)**

Directly to Parts & Service:

By Email: **[Shop@Michco.com](mailto:Shop@Michco.com)**

By Fax: (517) 702-2041

By Voice: Use numbers above.

**Serving the Cleaning Industry Since 1922**

Notice: All copyrighted material remains property of original owners, all trademarks are property of respective owners. Manuals are subject to Manufacturer's reproduction limitations. Originals or reproductions were provided by manufacturers through a request. We make no warranty as to the correctness of information provided in this document and you assume all risk. By placing these manuals on line we are not declaring our corporation to be an manufacturer authorized dealer or provider, please check our web site for authorized manufacturers we represent.



# 5500/5520

Automatic Scrubber  
Fregadora Automática

**Model No.:**

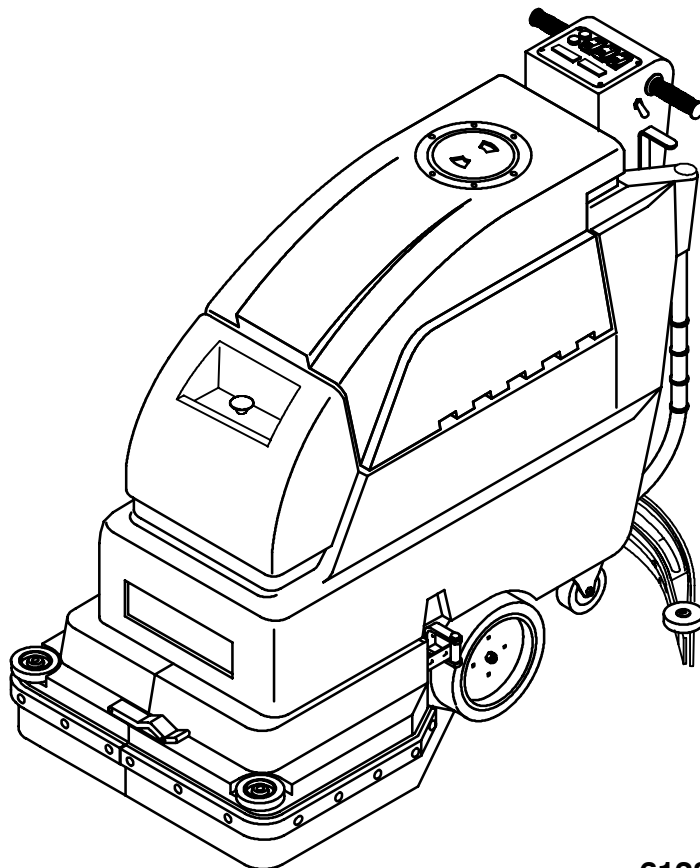
**613041 - 5500**

**612758 - 5500 Complete**

**613042 - 5520**

**612760 - 5520 Complete**

**Operator and Parts Manual**  
**Manual del Operador y Piezas**



**612814**  
**Rev. 03 (12-06)**

# OPERATION

---

This manual is furnished with each new model. It provides necessary operation and maintenance instructions and an illustrated parts list.

**Read this manual completely and understand the machine before operating or servicing it.**

When ordering replacement parts, use the illustrated parts lists section in this manual. Before ordering parts or supplies, be sure to have your machine model number and serial number available. Parts and supplies may be ordered by phone or mail from any authorized parts and service center, distributor or from any of the manufacturer's subsidiaries.

This machine will provide excellent service. However, the best results will be obtained at minimum costs if:

- The machine is operated with reasonable care.
- The machine is maintained regularly - per the machine maintenance instructions provided.
- The machine is maintained with manufacturer supplied or equivalent parts.

---

## MACHINE DATA

---

Please fill out at time of installation for future reference.

Model No.- \_\_\_\_\_

Install. Date - \_\_\_\_\_

Serial No.- \_\_\_\_\_

### Tennant Company

PO Box 1452

Minneapolis, MN 55440

Phone: (800) 553-8033 or (763) 513-2850

[www.tennantco.com](http://www.tennantco.com)

Specifications and parts are subject to change without notice.

Copyright ©2001, 2002, 2005, 2006 Tennant Company. All rights reserved.  
Printed in U.S.A.

**TABLE OF CONTENTS (ESPAÑOL ÍNDICE....22)**

<b>SAFETY PRECAUTIONS</b> .....	<b>4</b>	<b>TRANSPORTING MACHINE</b> .....	<b>18</b>
<b>SAFETY LABELS</b> .....	<b>5</b>	<b>STORING MACHINE</b> .....	<b>18</b>
<b>MACHINE COMPONENTS</b> .....	<b>6</b>	<b>RECOMMENDED STOCK ITEMS</b> .....	<b>18</b>
<b>CONTROL PANEL SYMBOLS</b> .....	<b>7</b>	<b>TROUBLE SHOOTING</b> .....	<b>19</b>
<b>MACHINE INSTALLATION</b> .....	<b>8</b>	<b>SPECIFICATIONS</b> .....	<b>20</b>
UNCRATING MACHINE .....	8	<b>ELECTRICAL DIAGRAMS</b> .....	<b>42</b>
INSTALLING BATTERIES .....	8	<b>PARTS LIST</b> .....	<b>44</b>
<b>MACHINE SETUP</b> .....	<b>8</b>	REPLACEMENT BRUSHES AND PAD	
ATTACHING SQUEEGEE ASSEMBLY .....	8	DRIVER GROUP .....	44
INSTALLING BRUSH OR PAD DRIVERS ...	9	SOLUTION TANK GROUP .....	46
FILLING SOLUTION TANK .....	10	RECOVERY TANK GROUP .....	48
<b>MACHINE OPERATION</b> .....	<b>10</b>	CONSOLE GROUP .....	50
PRE-OPERATION CHECKS .....	10	ELECTRICAL GROUP .....	52
OPERATING MACHINE .....	10	DRIVE GROUP .....	54
WHILE OPERATING MACHINE .....	12	BRUSH DRIVE GROUP .....	56
STOPPING MACHINE .....	12	BRUSH SKIRT GROUP .....	58
EMERGENCY STOPPING (OPTION) .....	12	SOLUTION GROUP .....	60
CIRCUIT BREAKERS .....	13	SQUEEGEE CONTROL GROUP .....	62
<b>DRAINING TANKS</b> .....	<b>13</b>	SQUEEGEE ASSEMBLY GROUP -	
DRAINING RECOVERY TANK .....	13	33 in / 838 mm .....	64
DRAINING SOLUTION TANK .....	13	BATTERY GROUP .....	66
<b>CHARGING BATTERIES</b> .....	<b>14</b>	<b>OPTIONS</b> .....	<b>67</b>
<b>MACHINE MAINTENANCE</b> .....	<b>15</b>	SQUEEGEE WAND ASSEMBLY .....	67
DAILY MAINTENANCE .....	15	ES (EXTENDED SCRUB) KIT .....	68
MONTHLY MAINTENANCE .....	16	HOUR METER, EMERGENCY STOP,	
QUARTERLY MAINTENANCE .....	16	KEYSWITCH AND LOW VOLTAGE KITS ...	70
SQUEEGEE BLADE REPLACEMENT .....	16	CONVERSION KIT .....	71
SQUEEGEE BLADE ADJUSTMENT .....	17		
BATTERY MAINTENANCE .....	17		

# OPERATION

---

---


## SAFETY PRECAUTIONS

---

This machine is intended for commercial use. It is designed exclusively to scrub hard floors in an indoor environment and is not constructed for any other use. Use only recommended pads, brushes and commercially approved floor cleaners intended for machine application.

All operators must read, understand and practice the following safety precautions.

The following warning alert symbol and the "FOR SAFETY" heading are used throughout this manual as indicated in their description:

 **WARNING:** To warn of hazards or unsafe practices which could result in severe personal injury or death.

**FOR SAFETY:** To identify actions which must be followed for safe operation of equipment.

---

Failure to follow these warnings may result in personal injury, electrical shock, fire or explosion.

 **WARNING:** Fire Or Explosion Hazard:

- **Never Use Flammable Liquids Or Operate Machine in Or Near Flammable Liquids, Vapors Or Combustible Dusts.**

*This machine is not equipped with explosion proof motors. The electric motors will spark upon start up and during operation which could cause a flash fire or explosion if machine is used in an area where flammable vapors/liquids or combustible dusts are present.*

- **Do Not Pick Up Flammable Materials Or Reactive Metals.**
- **Batteries Emit Hydrogen Gas. Keep Sparks And Open Flame Away. Keep Battery Compartment Open When Charging.**

 **WARNING:** Electrical Shock Hazard. Disconnect Battery Cables Before Servicing Machine.

---

The following information signals potentially dangerous conditions to the operator or equipment:

### FOR SAFETY:

1. **Do not operate machine:**
  - With flammable liquids or near flammable vapors as an explosion or flash fire may occur.
  - Unless trained and authorized.
  - Unless operator manual is read and understood.
  - If not in proper operating condition.
2. **Before operating machine:**
  - Make sure all safety devices are in place and operate properly.
3. **When using machine:**
  - Go slow on inclines and slippery surfaces.
  - Wear non-slip shoes.
  - Use care when reversing machine.
  - Reduce speed when turning.
  - Report machine damage or faulty operation immediately.
  - Never allow children to play on or around.
  - Follow mixing and handling instructions on chemical containers.
4. **Before leaving or servicing machine:**
  - Stop on level surface.
  - Turn machine off.
5. **When servicing machine:**
  - Avoid moving parts. Do not wear loose jackets, shirts, or sleeves.
  - Disconnect battery connections before working on machine.
  - Wear protective gloves and eye protection when handling batteries or battery cables.
  - Avoid contact with battery acid.
  - Use hoist or jack that will support the weight of the machine.
  - Do not power spray or hose off machine. Electrical malfunction may occur.
  - Use manufacturer supplied or approved replacement parts.
  - All repairs must be performed by a qualified service person.
  - Do not modify the machine from its original design.

6. When transporting machine:

- Turn machine off.
- Use a recommended ramp when loading/unloading on/off truck or trailer.
- Use tie-down straps to secure machine to truck or trailer.
- Put scrub head in the lowered position.

**SAFETY LABELS**

The safety labels appear on the machine in the locations indicated. Replace labels if they are missing or become damaged or illegible.

**WARNING LABEL - LOCATED ON THE RECOVERY TANK.**



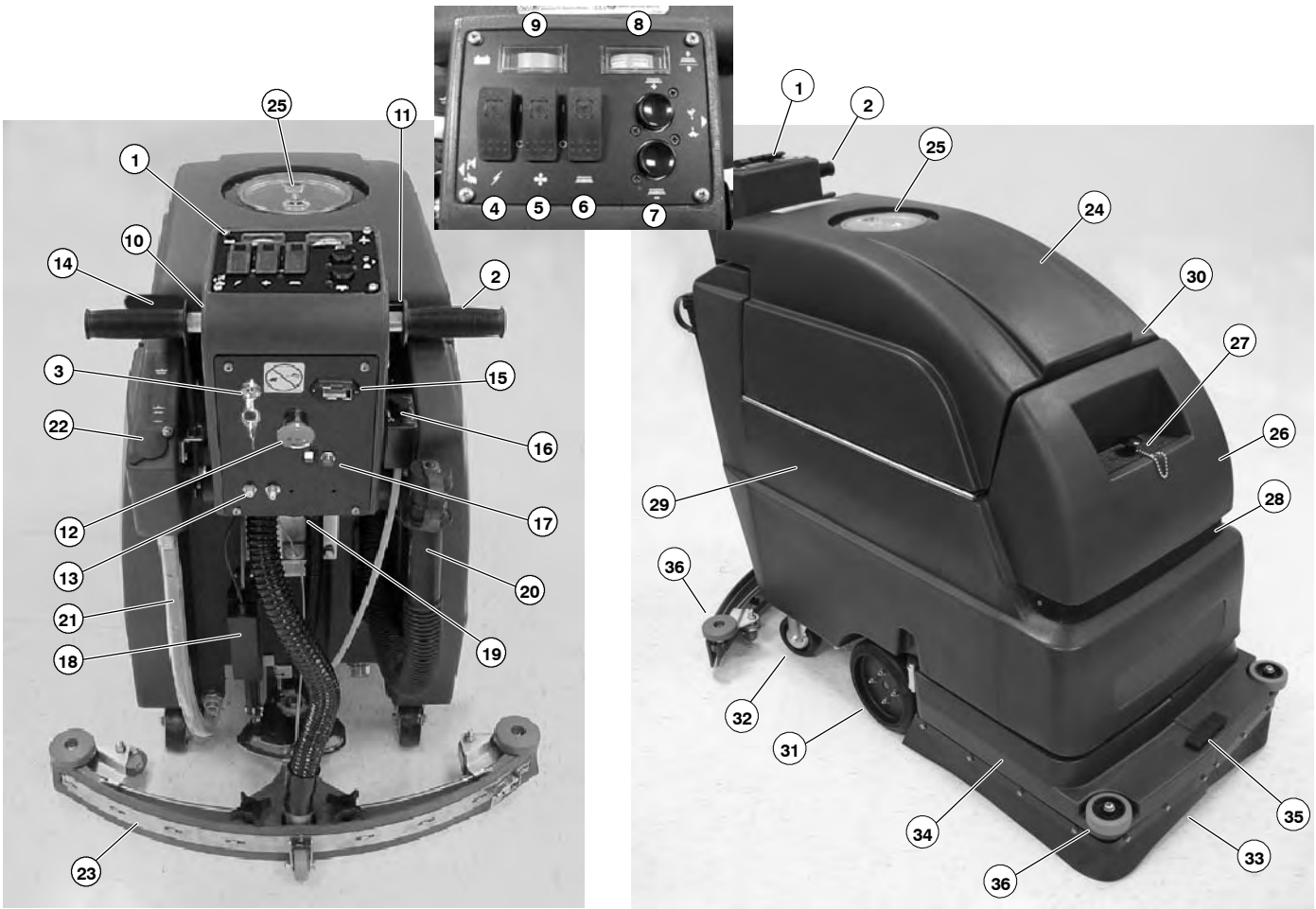
**BATTERY CHARGE LABEL -**  
LOCATED IN BATTERY COMPARTMENT.

**⚠ WARNING: Fire Or Explosion Hazard. Batteries Emit Hydrogen Gas. Keep Sparks And Open Flame Away. Keep Battery Compartment Open When Charging.**



# OPERATION

## MACHINE COMPONENTS



- |                                      |   |                         |
|--------------------------------------|---|-------------------------|
| 1. Control Console                   | 14. Squeegee Lift Lever                   | 25. Recovery Tank Lid   |
| 2. Control Twist Grips               | 15. Hour Meter (Optional)                 | 26. Solution Tank       |
| 3. Key Switch (Optional)             | 16. Solution Flow Adjustment Knob         | 27. Solution Fill Port  |
| 4. Main ON/OFF Switch                | 17. ES (Extended Scrub) Switch (Optional) | 28. Safety Lights       |
| 5. Vacuum ON/OFF Switch              | 18. Scrub Head Actuator                   | 29. Battery Compartment |
| 6. Brush/Solution ON/OFF Switch      | 19. Adjustable Control Console Levers     | 30. Charger Plug        |
| 7. Brush Pressure Switches           | 20. Recovery Tank Drain Hose              | 31. Drive Wheels        |
| 8. Brush Pressure Meter              | 21. Solution Tank Drain Hose              | 32. Rear Casters        |
| 9. Battery Meter                     | 22. Rear Fill Port                        | 33. Brush Skirt         |
| 10. Reverse Switch                   | 23. Squeegee Assembly                     | 34. Skirt Housing       |
| 11. Speed Control Knob               | 24. Recovery Tank                         | 35. Skirt Housing Latch |
| 12. Power Kill Button (Optional)     |   | 36. Wall Rollers        |
| 13. Main, Vac/Drive Circuit Breakers |   |                         |

CONTROL PANEL SYMBOLS



Main Power



Fast Speed



Right Hand  
Brush Motor  
Circuit Breaker



Read Manual  
Before Operating



Vacuum



Slow Speed



Left Hand  
Brush Motor  
Circuit Breaker



Solution Flow



Brush



Reverse



Vacuum  
Motor Circuit  
Breaker



Battery Charge  
Meter



Less Brush  
Pressure



Squeegee Up



Main Power  
Circuit Breaker



Brush Pressure  
Meter



More Brush  
Pressure



Squeegee Down

# OPERATION

---

## MACHINE INSTALLATION

---

### UNCRATING MACHINE

Carefully check carton for signs of damage. Report any damage at once to carrier. Check carton contents to ensure all accessories are included. Squeegee is packaged with machine. Batteries, battery charger and pad driver(s) are packaged separately.

**ATTENTION: Battery installation must be accomplished after removing machine from shipping crate.**

To uncrate your machine, remove shipping straps and carefully lift or make a ramp using crate boards to remove machine from pallet.

**ATTENTION: Do not roll machine off pallet, damage may occur.**

---

### INSTALLING BATTERIES

**⚠ WARNING: Fire Or Explosion Hazard. Batteries Emit Hydrogen Gas. Keep Sparks And Open Flame Away. Keep Battery Hood Open When Charging.**

**FOR SAFETY: When servicing machine, wear protective gloves and eye protection when handling batteries and battery cables. Avoid contact with battery acid.**

#### Battery Specifications:

Two 12 volt, deep cycle, 215 A hour batteries. Consult with an Authorized Distributor for specific batteries. Maximum battery dimensions are 7 in / 178 mm W x 15 in / 381 mm L x 14 in / 356 mm H.

1. Turn all switches to the OFF position.
2. Carefully hinge open recovery tank to access battery compartment. Remove loose battery cables from compartment (Figure 1).



FIG. 1

3. Carefully install batteries into battery tray at bottom of compartment and arrange battery posts as shown (Figure 2).

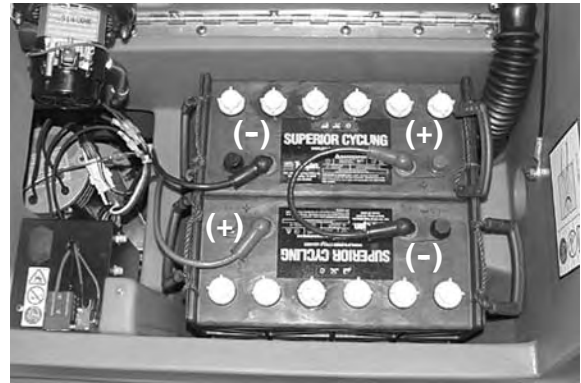


FIG. 2

**ATTENTION: Do not drop batteries into compartment, battery and machine housing damage may result. This damage is not covered by warranty.**

4. Connect battery cables to battery posts as shown (RED TO POSITIVE & BLACK TO NEGATIVE) (Figure 2).
5. Turn on the main switch and check battery meter charge level to ensure batteries are fully charged. Charge if necessary (See CHARGING BATTERIES).

---

## MACHINE SETUP

---

### ATTACHING SQUEEGEE ASSEMBLY

1. Turn main switch to the off position.

**FOR SAFETY: Before leaving or servicing machine, stop on level surface and turn off machine.**

2. Raise squeegee mount bracket. Pull back on squeegee lift lever to raise squeegee mount bracket (Figure 3).



FIG. 3

- Loosen two thumb knobs on squeegee assembly and slide squeegee into slots on squeegee mount bracket (Figure 4).



FIG. 4

- Tighten thumb knobs securely.
- Connect vacuum hose from machine to squeegee assembly (Figure 5).

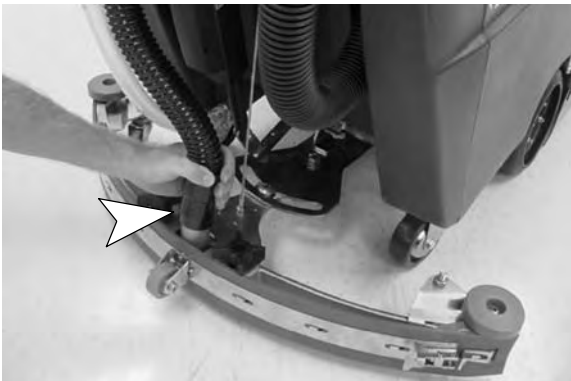


FIG. 5

## INSTALLING BRUSH OR PAD DRIVERS

- Turn main switch to the on position.
- Make sure the scrub head is raised by turning off the brush switch (Figure 6).



FIG. 6

- Turn main switch to the off position.

**FOR SAFETY: Before leaving or servicing machine, stop on level surface and turn off machine.**

- Unfasten black latch at front of machine and hinge open skirt housing to access motor hub (Figure 7).



FIG. 7

- Select recommended pads or brushes that best meets your cleaning needs.

**NOTE:** Consult an authorized distributor for pad/brush recommendations.

- (For Pad Installation)** Attach pads to pad drivers before connecting drivers to motor hub. Secure pads with plastic centerlock ring (Figure 8).

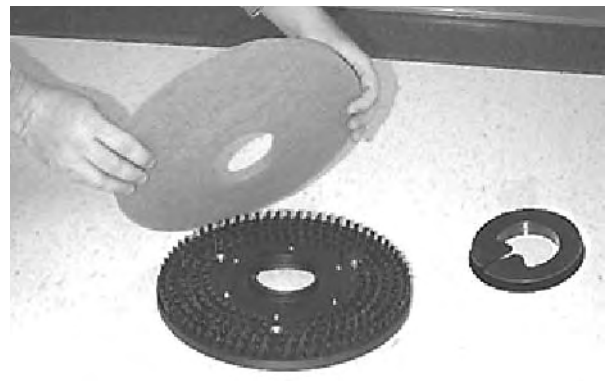


FIG. 8

## OPERATION

---

- Align pad driver mounting studs with slots in motor hub. Give the driver a quick turn toward the motor hub spring clip. Be certain that spring clip locks into one of the studs before operating machine (Figure 9).



FIG. 9

**NOTE:** Always make sure pad drivers and motor hub surfaces are always clean before installing drivers. Clean surfaces will ease pad driver removal later.

- Close skirt housing and refasten latch.

---

### FILLING SOLUTION TANK

- Transport machine to filling station. Raise squeegee and brush when transporting.
- Turn main switch to the off position.
- Remove fill-port cover at front of machine and fill solution tank with 17 gal / 64 L of clean water, 140°F / 60°C maximum temperature. Or use the rear fill port to fill solution tank. Pull off plug and insert hose to fill. The clear tube below the fill port has 5 gal / 19 L increment markers to indicate amount of water in tank (Figure 10).



FIG. 10

**NOTE:** If filling with a bucket be certain that bucket is clean. This will prevent possible solution line clogs.

- Add cleaning chemical. See proper dilution ratio instructions on bottle.

**FOR SAFETY:** When using machine, follow mixing and handling instructions on chemical containers.

**ATTENTION:** Use only recommended cleaning chemicals, DO NOT use substitutes. Consult an authorized distributor for recommendations.

**⚠ WARNING:** Fire or Explosion Hazard. Never Use Flammable Liquids.

---

### MACHINE OPERATION

---

**FOR SAFETY:** Do not operate machine unless operator manual is read and understood.

---

### PRE-OPERATION CHECKS

- Sweep and dust mop floor to remove particles and other debris.
- Check battery meter charge level to ensure batteries are fully charged (See CHARGING BATTERIES).
- Check condition of pads or brushes.
- Check condition of squeegee blades.

---

### OPERATING MACHINE

- Adjust control grips to a comfortable operating height, squeeze together the two levers below the console (Figure 11).

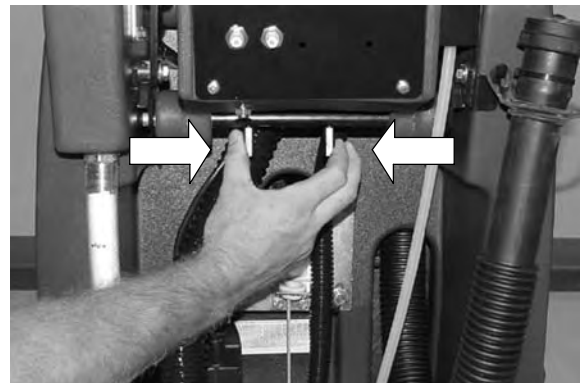


FIG. 11

- Disengage squeegee lift lever from the up position and lower squeegee (Figure 12).



FIG. 12

3. Turn main switch to the on position.
4. Turn brush switch to the on position to lower scrub head to the floor (Figure 13).



FIG. 13

5. Turn vacuum switch to the on position.
- NOTE:** The brushes and solution flow will not start until control grips are rotated.
6. Before starting, turn speed control knob to slowest setting (Figure 14).
  7. Begin scrubbing by rotating control grips forward. Gradually increase your speed by turning speed control knob forward (Figure 14).



FIG. 14

8. Once machine begins to move, check the needle position of the brush pressure meter. Use the (2) pressure adjustment switches to adjust brush pressure. Never operate machine in the red zone (Figure 15).



FIG. 15

**ATTENTION:** To prevent floor damage and brush motor overload, do not operate brush pressure meter in red zone.

9. To operate machine in reverse, simply pull reverse switch backwards (one speed) (Figure 16).



FIG. 16

10. To stop machine, release control grips.

# OPERATION

---

## WHILE OPERATING MACHINE

**FOR SAFETY: When using machine, go slow on inclines and slippery surfaces.**

**⚠ WARNING: Fire Or Explosion Hazard. Do Not Pick Up Flammable Materials Or Reactive Metals.**

1. Observe amount of solution flow on floor. To increase or decrease water flow, adjust solution control knob (Figure 17).



FIG. 17

2. Periodically observe recovery tank for excessive foam. If excessive foam appears, pour a recommended foam control solution into recovery tank.

**ATTENTION: Do not allow foam or water to enter float shut-off screen, vacuum motor damage will result. Foam will not activate float shut-off screen.**

3. Always operate at a slower speed when scrubbing around walls or obstacles.
4. Always reduce speed to maintain control when turning machine.
5. If squeegee leaves streaks, raise and wipe blades with a cloth. Pre-sweep area to prevent streaking.
6. Overlap each pass by 2 in / 51 mm.
7. Change or turn over pads when worn.
8. Stay clear of floor obstructions, such as electrical plates or grates, they will destroy pads.
9. During brief stops, you do not have to turn off any switches, the brushes and solution flow will automatically stop when control grips are released.
10. Periodically check battery meter discharge level. When needle drops to the red zone, recharge batteries.

**ATTENTION: Do not continue to run machine when battery meter needle is in the red zone, battery damage will result.**

11. While cleaning, view clear tube at rear of machine for remaining cleaning solution. Each mark on hose indicates 5 gal / 19 L.
12. When solution tank runs dry, turn off brush switch, and continue to vacuum until all dirty water is consumed. Then drain recovery tank (See DRAINING TANKS).

---

## STOPPING MACHINE

1. Turn off brush switch, and continue to vacuum until all dirty water is consumed.
2. Release control grips.
3. Raise squeegee.
4. Turn off switches and remove key if equipped.

**FOR SAFETY: Before leaving or servicing machine, stop on level surface and turn off machine.**

---

## EMERGENCY STOPPING (OPTION)

To stop machine in case of an emergency, hit the red power kill button located at rear of control console. The power kill button immediately stops all power to machine (Figure 18).

To reset power kill button, shut off all switches and turn kill button to the right. Resume to normal operation.

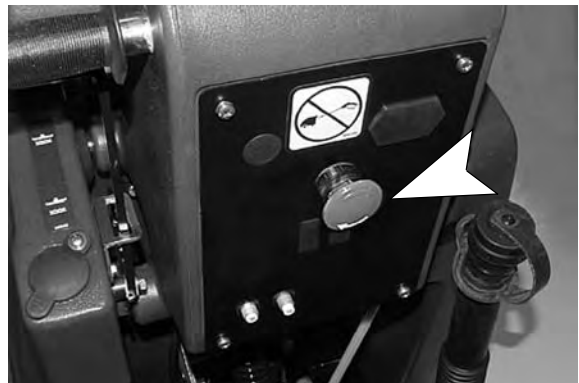


FIG. 18

## CIRCUIT BREAKERS

The machine is equipped with (4) circuit breakers to protect machine from damage.

If circuit breakers should trip, the breakers will not reset immediately upon tripping. Determine reason why breaker tripped, allow motor to cool and reset.

Brush motor circuit breakers will trip due to excessive overload on pad. Reduce pad pressure or replace pad if breaker should trip.

The main and drive/vacuum circuit breakers are located at the rear of machine. The brush motor circuit breakers are located near the charging plug (Figure 19).

- 10A Main Circuit Breaker
- 35A Drive Motor/Vacuum Circuit Breaker
- 30A Brush Motor Circuit Breaker (2)

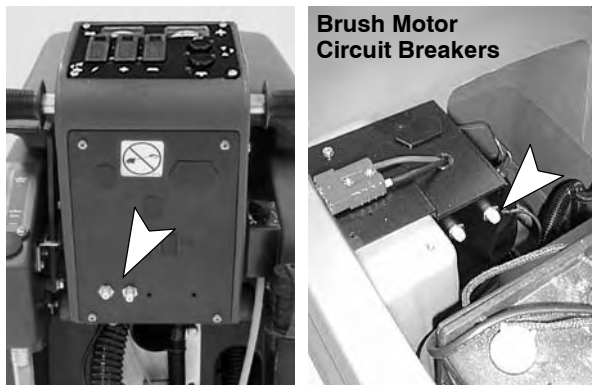


FIG. 19

## DRAINING TANKS

**FOR SAFETY:** Before leaving or servicing machine, stop on level surface and turn off machine.

### DRAINING RECOVERY TANK

When finished scrubbing or when refilling solution tank, recovery tank should be drained and cleaned.

**ATTENTION:** If recovery tank is not drained before refilling, foam or water will enter float shut-off screen and vacuum motor damage will result.

1. Remove drain hose from holder, position hose over floor drain and twist off drain hose cap. To completely drain recovery tank, hinge open tank and flip up tank support stand to rest tank on (Figure 20).

**NOTE:** If using a bucket to drain machine, do not use same bucket for filling solution tank. This will prevent possible solution line clogs.



FIG. 20

2. Clean recovery tank after each use. Use a hose to rinse out tank. Be careful not to spray water into float shut-off screen.
3. Replace drain hose cap tightly after draining.

### DRAINING SOLUTION TANK

To drain leftover cleaning solution from solution tank, perform the following steps:

1. Pull clear hose off hose barb at rear of machine and drain solution into floor drain or bucket (Figure 21).



FIG. 21

2. Rinse out solution tank and solution flow system with clean water after each use. This will prevent clogging due to chemical buildup.
3. Reconnect solution tank drain hose securely after draining.

# OPERATION

## CHARGING BATTERIES

**ATTENTION:** To prolong the life of the batteries and to provide optimum machine performance, **ONLY** recharge the batteries after a total of 30 minutes of use or more. Do not leave batteries discharged for lengthy periods.

The following charging instructions are intended for battery chargers supplied with the machine. Only use a battery charger with the following specifications to prevent battery damage.

### BATTERY CHARGER SPECIFICATIONS:

- CHARGER TYPE: FOR LEAD ACID BATTERIES
- OUTPUT VOLTAGE - 24 VOLTS
- OUTPUT CURRENT - 25 AMPS MAXIMUM
- AUTOMATIC SHUT-OFF CIRCUIT
- FOR DEEP CYCLE BATTERY CHARGING

1. Transport machine to a well ventilated area for charging.

**⚠ WARNING: Fire Or Explosion Hazard. Batteries Emit Hydrogen Gas. Keep Sparks And Open Flame Away. Keep Battery Compartment Open When Charging.**

2. Before charging the batteries, check the electrolyte level in each battery cell (Figure 22).



FIG. 22

**FOR SAFETY:** When servicing machine, wear protective gloves and eye protection when handling batteries or battery cables. Avoid contact with battery acid.

The electrolyte level (A) should slightly cover the battery plates (B). Add distilled water as needed. DO NOT OVERFILL, the fluid may expand and overflow while charging. Replace cell caps before charging (Figure 23).

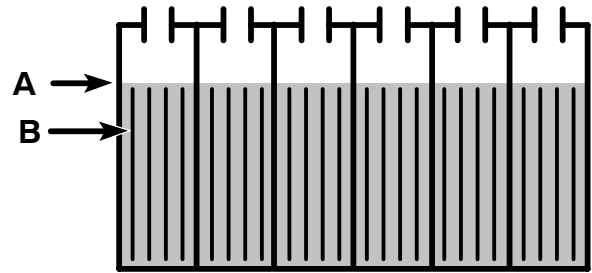


FIG. 23

3. Connect the charger's AC power supply cord to a properly grounded receptacle (Figure 24).

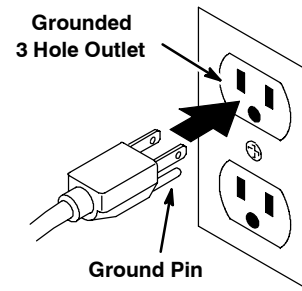


FIG. 24

4. Plug charger's DC output connector to battery connector located near battery compartment (Figure 25).

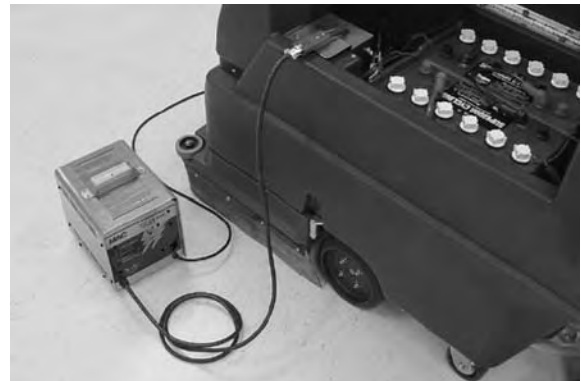


FIG. 25

5. The charger will automatically begin charging and shut off when fully charged.
6. Rest the recovery tank on the support stand to promote ventilation during charging (Figure 26).

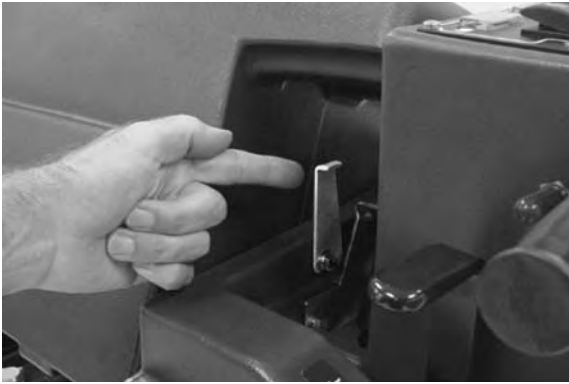


FIG. 26

**ATTENTION:** Do not disconnect the charger's DC cord from the machine's receptacle when the charger is operating. Arcing may result. If the charger must be interrupted during charging, disconnect the AC power supply cord first.

**⚠ WARNING: Fire Or Explosion Hazard. Batteries Emit Hydrogen Gas. Keep Sparks And Open Flame Away. Keep Battery Compartment Open When Charging.**

- After charging, check the electrolyte level (A) again. The level should be approximately 1 cm (0.38 in) from the bottom of the fill-port (B) (Figure 27). Add distilled water if needed. **DO NOT OVERFILL.**

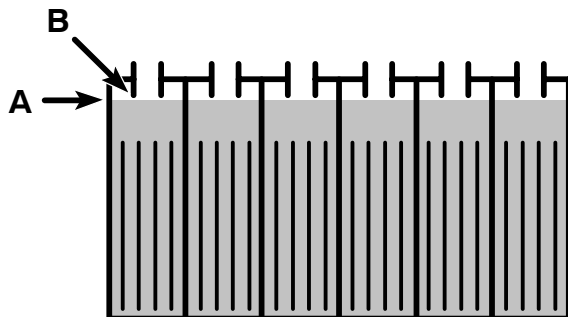


FIG. 27

## MACHINE MAINTENANCE

To keep the machine in good working condition, simply follow the daily, monthly and quarterly maintenance procedures.

**⚠ WARNING: Electrical Hazard. Disconnect Battery Cables Before Servicing Machine.**

## DAILY MAINTENANCE (After Every Use)

- Remove and clean pads/brushes. Never use soiled pads when cleaning. Replace pads when they become loaded with residue.
- Remove and clean lint from float shut-off screen located in recovery tank (Figure 28).



FIG. 28

- Drain and rinse tanks thoroughly. After draining tanks, hinge recovery tank until you can see vacuum intake hole at rear of tank. Remove any debris in hole if necessary.
- Raise squeegee and wipe it off with a dry cloth. Store squeegee in the up position to prevent squeegee damage.
- Clean the machine with an all purpose cleaner and damp cloth (Figure 29).

**FOR SAFETY: When cleaning machine, do not power spray or hose off machine. Electrical malfunction may occur.**



FIG. 29

- Recharge the batteries after a total of 30 minutes of use or more (See CHARGING BATTERIES).

# OPERATION

## MONTHLY MAINTENANCE (Every 80 Hours of Use)

1. Check fluid level in battery cells (See BATTERY MAINTENANCE).
2. Clean battery tops to prevent corrosion (See BATTERY MAINTENANCE).
3. Check for loose or corroded battery cables.
4. Remove inline strainer filter and rinse out. Before removing filter, be certain solution tank is empty. Filter is located under machine at rear (Figure 30).

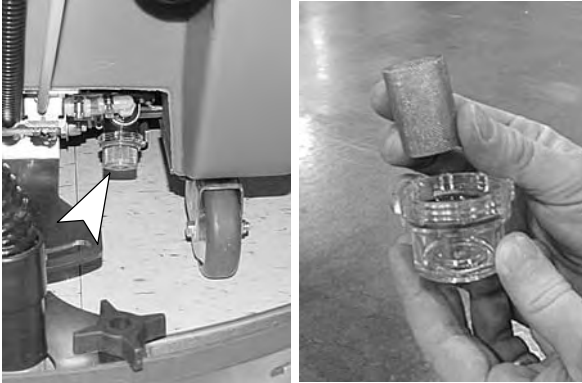


FIG. 30

5. Lubricate caster grease fittings with a water resistant grease.
6. Lubricate all linkage pivot points with silicone spray then coat with a water resistant grease to maintain a smooth operation.
7. Check machine for water leaks and loose nuts and bolts.

## QUARTERLY MAINTENANCE (Every 250 Hours of Use)

Check the drive transaxle motor, the vacuum motor and the brush motor for carbon brush wear. Replace carbon brushes when worn to a length of 0.38 in / 10 mm or less.

**Contact an Authorized Service Center for machine repairs.**

**FOR SAFETY: When servicing machine, all repairs must be performed by a qualified service person.**

**⚠ WARNING: Electrical Hazard. Disconnect Battery Cables Before Servicing Machine.**

## SQUEEGEE BLADE REPLACEMENT

The squeegee has two squeegee blades. The rear squeegee blade has four wiping edges, the front blade has two wiping edges. When the blades become worn, simply rotate the blades to a new wiping edge. Replace blade if all wiping edges are worn.

### Rotating or replacing the rear blade:

1. Remove the squeegee assembly from the machine.
2. Loosen the band clamp and remove the band from the squeegee assembly (Figure 31).

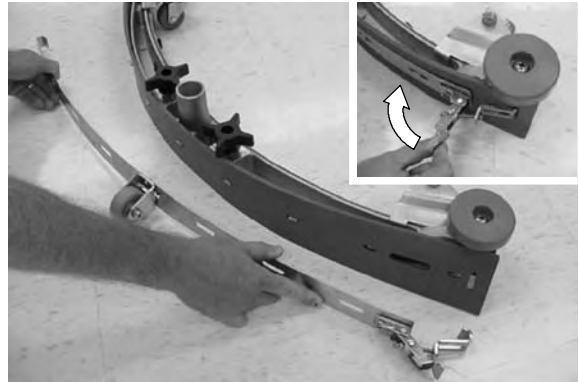


FIG. 31

3. Rotate the rear blade to a new wiping edge and reinstall the band (Figure 32).

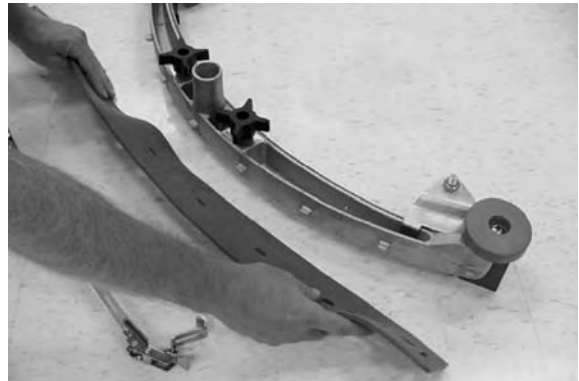


FIG. 32

### Rotating or replacing the front blade:

1. Remove the squeegee assembly from the machine.
2. Remove the six thumbscrews holding the retainer and squeegee blade to the squeegee frame. Rotate the squeegee blade end for end to allow a new edge to face the front of the machine. Make sure the notched edge of the blade is facing downward (Figure 33).

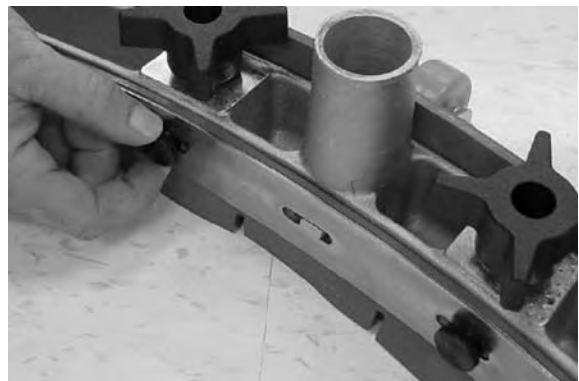


FIG. 33

## SQUEEGEE BLADE ADJUSTMENT

For optimum squeegee blade performance, the squeegee assembly casters must be adjusted to a specified height as described below.

1. To check the squeegee assembly for proper adjustment, remove the squeegee assembly from the machine and place it on a level surface. Measure the distance between the caster and the surface. It should measure approximately 1/16 in / 2 mm (Figure 34).
2. To adjust the caster height, loosen the top nut and remove the plastic bearing cover to access the adjustment nut. Turn the adjustment nut until properly adjusted (Figure 34). After adjusting, tighten the top nut and replace the plastic bearing cover. Repeat step for the other caster.

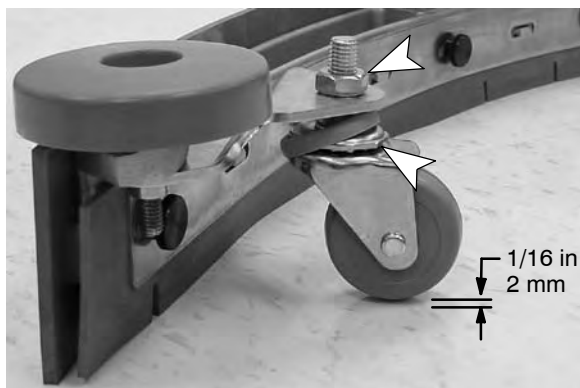


FIG. 34

3. During machine operation, with the casters properly adjusted, the squeegee blades should deflect as shown (Figure 35).



FIG. 35

## BATTERY MAINTENANCE

**⚠ WARNING: Fire Or Explosion Hazard. Batteries Emit Hydrogen Gas. Keep Sparks And Open Flame Away. Keep Battery Compartment Open When Charging.**

**FOR SAFETY: When servicing machine, wear protective gloves and eye protection when handling batteries and battery cables. Avoid contact with battery acid.**

1. Check the specific gravity using a hydrometer to determine the charge level and the condition of the batteries (Figure 36). If one or more of the battery cells read lower than the other battery cells (0.050 or more), the cell is damaged, shorted, or is about to fail. Check the hydrometer readings against the following chart to determine the remaining battery charge level.

**NOTE: Do not take readings immediately after adding distilled water. If the water and acid are not thoroughly mixed, the readings may not be accurate.**

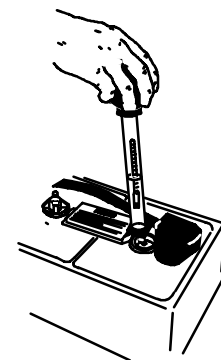


FIG. 36

SPECIFIC GRAVITY at 27°C (80°F)	BATTERY CHARGE
1.265	100% CHARGED
1.223	75% CHARGED
1.185	50% CHARGED
1.148	25% CHARGED
1.110	DISCHARGED

**NOTE: If the readings are taken when the battery electrolyte is any temperature other than 80°F / 27°C, the reading must be temperature corrected. Add or subtract to the specific gravity reading 0.004, 4 points, for each 43°F / 6°C above or below 80°F / 27°C.**

2. Always follow proper charging instructions (See CHARGING BATTERIES).

## OPERATION

- Check the electrolyte level (A) in each battery cell **after charging batteries**. The level should be approximately 1 cm from the bottom of the fill-port (B). Add distilled water if needed (Figure 37). **DO NOT OVERFILL.**

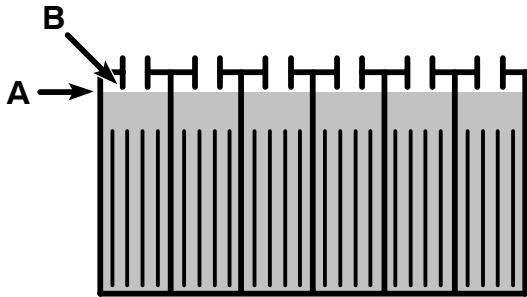


FIG. 37

- Keep the battery tops clean to prevent battery corrosion.

To clean batteries:

**FOR SAFETY: When servicing machine, wear protective gloves and eye protection when handling batteries and battery cables. Avoid contact with battery acid.**

- Mix a strong solution of baking soda and water (Figure 38).



FIG. 38

- Brush the solution sparingly over the battery tops and cable connectors.

**NOTE:** Do not allow baking soda solution to enter battery cells.

- Use a wire brush to clean the battery terminals and cable connectors.
  - After cleaning, apply a coating of clear battery post protectant to the terminals and cable connectors.
- Check for loose or worn cables. Replace if worn.

## TRANSPORTING MACHINE

When transporting machine by use of trailer or truck, be certain to follow tie-down procedures below:

**FOR SAFETY: When using machine, go slow on inclines and slippery surfaces.**

- Remove squeegee from machine and raise scrub head. Leave pad or brush installed.
- Load machine using a recommended loading ramp.
- Position front of machine up against front of trailer or truck. Once machine is positioned, lower brush head.
- Place a block behind the drive wheel and the rear casters.
- Place tie-down straps over top of machine and secure straps to floor. It may be necessary to install tie-down brackets to the floor of your trailer or truck.

## STORING MACHINE

- Before storing machine, be certain to flush tanks and drain machine of all water.
- Store machine in a dry area with squeegee removed and pad driver in the raised position.
- Remove recovery lid to promote air circulation.
- When storing machine, raise pad scrub head and squeegee off floor to prevent damage.

**ATTENTION: If storing machine in freezing temperatures, be certain to drain machine of all water. Damage due to freezing temperatures is not covered by warranty.**

**ATTENTION: Do not expose machine to rain; store indoors.**

## RECOMMENDED STOCK ITEMS

Refer to Parts List section for recommended stock items. Stock Items are clearly identified with a bullet preceding the parts description. See example below:

Ref.	Part No.	Description	Qty.
1	701103	ARM, STAND PIPE	1
2	180612	● FLOAT, SHUTOFF	1
3	230197	NIPPLE	1
4	101714	● BASKET	1
5	210240	NUT, FLANGED	1

**TROUBLE SHOOTING**

<b>PROBLEM</b>	<b>CAUSE</b>	<b>SOLUTION</b>
No power.	Faulty main switch.	Contact Service Center.
	Batteries need charging.	See CHARGING BATTERIES.
	Faulty battery(s).	Replace battery(s).
	Loose battery cable.	Tighten loose cable.
	MAIN circuit breaker has tripped.	Determine cause and reset circuit breaker button.
Brush motors do not operate.	Brush switch is not on.	Turn on brush switch.
	Control grips are not rotated.	Rotate control grips.
	Brush circuit breaker(s) has tripped.	Clean or replace pad or brush and reset brush circuit breaker button.
	Faulty brush motor or wiring.	Contact Service Center.
	Carbon brushes worn.	Contact Service Center.
	Faulty brush switch or solenoid.	Contact Service Center.
Vacuum motor does not operate.	Faulty vacuum switch.	Contact Service Center.
	Vacuum circuit breaker has tripped.	Remove obstruction and reset breaker.
	Faulty vacuum motor or wiring.	Contact Service Center.
	Carbon brushes worn.	Contact Service Center.
Drive motor does not operate.	Drive motor circuit breaker has tripped.	Determine cause and reset breaker.
	Faulty speed control circuit board or connection.	Contact Service Center.
	Faulty solenoid.	Contact Service Center.
	Faulty drive motor.	Contact Service Center.
	Faulty wiring.	Contact Service Center.
	Worn carbon brushes.	Contact Service Center.
Drive motor operates improperly.	Faulty potentiometer or speed control board.	Contact Service Center.
	Loose wire connection	Contact Service Center.
Little or no solution flow.	Solution flow adjustment knob needs adjusting.	Turn solution flow knob clockwise to increase flow.
	Solution line or solution tank filter is clogged.	Remove hose and blow compressed air through it. Flush solution tank after each use.
	Solution valve or solenoid is clogged.	Remove valve or solenoid and clean. Do not scratch inside of valve.
	Faulty solution switch or solenoid.	Contact Service Center.
	Loose set screw on solution knob.	Calibrate knob and retighten screw.
Short run time.	Batteries not fully charged.	Charge batteries.
	Bad cell in one or more batteries.	Replace battery.
	Batteries need maintenance.	See BATTERY MAINTENANCE.
	Faulty charger.	Replace battery charger.

# OPERATION

## TROUBLE SHOOTING -continued

PROBLEM	CAUSE	SOLUTION
Poor water pick up.	Recovery tank is full.	Empty recovery tank.
	Ball float shut-off screen inside recovery tank is clogged.	Remove screen and clean.
	Squeegee is clogged with debris.	Clean squeegee.
	Squeegee blades are worn.	Replace squeegee blades.
	Squeegee thumbscrews are loose.	Tighten thumbscrews.
	Vacuum hose connections are loose or hose has a hole.	Push hose cuffs firmly on connections. Replace hose if damaged.
	Vacuum hose is clogged with debris.	Remove clogged debris.
	Recovery tank inlet hole is obstructed.	Empty recovery tank and tilt tank sideways to access inlet hole, remove obstruction.
	Tank gasket is defective.	Replace gasket.
	Drain hose plug is loose.	Tighten drain plug.
	Recovery tank lid is loose.	Tighten lid.
	Vacuum motor is loose.	Contact Service Center.
	Battery charge level is low.	Charge batteries. Do not run machine when battery meter is in the red zone.
Safety lights do not work.	Flasher is burned out.	Contact Service Center.

## SPECIFICATIONS

MODEL	5500	5520
LENGTH	50 in / 1270 mm	50 in / 1270 mm
WIDTH	26 in / 660 mm	28 in / 711 mm
HEIGHT	39 in / 990 mm	39 in / 990 mm
WEIGHT	375 lb / 170 kg 600 lb / 272 kg with batteries	375 lb / 170 kg 600 lb / 272 kg with batteries
SOL./REC TANK CAPACITY	17 gal / 64 L	17 gal / 64 L
SPEED CONTROL	Variable Fwd. / Fixed Rev.	Variable Fwd. / Fixed Rev.
CLEANING SPEED (MAX)	24,000 sq ft / 2229.6 m <sup>2</sup> per hour	26,000 sq ft / 2415.4 m <sup>2</sup> per hour
CLEANING PATH WIDTH	23.123 in / 587 mm	25.13 in / 638 mm
PAD DIAMETER	2 - 12 in / 305 mm	2 - 13 in / 330 mm
PAD PRESSURE	Variable 80-150 lb / 36-68 kg	Variable 80-150 lb / 36-68 kg
SQUEEGEE WIDTH	33 in / 839 mm	33 in / 839 mm
DRIVE SYSTEM	Transaxle, .2 h.p., 24V	Transaxle, .2 h.p., 24V
BRUSH MOTOR	2 - .75 h.p., 220 rpm, 24V, 20A, 550W	2 - .75 h.p., 220 rpm, 24V, 20A, 550W
VACUUM MOTOR	.75 h.p., 3-stage 5.7, 24V, 21A, 550W	.75 h.p., 3-stage 5.7, 24V, 21A, 550W
WATER LIFT	68 in / 1727 mm	68 in / 1727 mm
BATTERIES	2-12V, 215AH	2-12V, 215AH
RUN TIME PER CHARGE	Up to 4 3/4 hours	Up to 4 3/4 hours
DECIBEL RATING AT OPERATOR'S EAR, INDOORS ON TILE.	75 dBA	75 dBA

Este manual se incluye en todos los modelos nuevos. Proporciona la información necesaria para su utilización y mantenimiento.

**Lea todo el manual detenidamente para comprender la máquina antes de utilizarla o revisarla.**

Use la Lista de Piezas incluida en este manual al ordenar piezas de repuesto. Antes de ordenar piezas o suministros, asegúrese de tener el número de modelo y el número de serie de su máquina. Las piezas y los suministros pueden ordenarse por teléfono o por correo de cualquier centro autorizado de piezas y servicios, distribuidor de piezas o de cualquier subsidiaria del fabricante.

Esta máquina le proporcionará excelentes resultados. Sin embargo, los resultados serán óptimos a un coste mínimo si:

- Utiliza la máquina con un cuidado razonable.
- Realiza las operaciones de mantenimiento de acuerdo con las instrucciones adjuntas.
- Las operaciones de mantenimiento de la máquina se realizan con piezas suministradas por el fabricante o equivalentes.

## DATOS DE LA MÁQUINA

Por favor complete en el momento de la instalación, para referencia futura.

No. de modelo - \_\_\_\_\_

Fecha de instalación - \_\_\_\_\_

Nº de Serie- \_\_\_\_\_

### Tennant Company

PO Box 1452

Minneapolis, MN 55440

Phone: (800) 553-8033 or (763) 513-2850

[www.tennantco.com](http://www.tennantco.com)

## ÍNDICE

---

<b>MEDIDAS DE SEGURIDAD</b> .....	<b>23</b>	<b>TRANSPORTE DE LA MÁQUINA</b> .....	<b>38</b>
<b>ADHESIVOS DE SEGURIDAD</b> .....	<b>24</b>	<b>ALMACENAMIENTO DE LA MÁQUINA</b> .....	<b>38</b>
<b>COMPONENTES DE LA MÁQUINA</b> .....	<b>25</b>	<b>RECOMENDACIONES PARA EL</b>	
<b>SÍMBOLOS DEL PANEL DE CONTROL</b> .....	<b>26</b>	<b>ALMACENAMIENTO</b> .....	<b>39</b>
<b>INSTALACIÓN DE LA MÁQUINA</b> .....	<b>27</b>	<b>LOCALIZACIÓN DE AVERÍAS</b> .....	<b>39</b>
DESEMBALADO DE LA MÁQUINA .....	27	<b>ESPECIFICACIONES</b> .....	<b>41</b>
INSTALACIÓN DE LAS BATERÍAS .....	27	<b>DIAGRAMAS ELECTRICAS</b> .....	<b>42</b>
<b>PREPARACIÓN DE LA MÁQUINA</b> .....	<b>28</b>	<b>LISTA DE PIEZAS</b> .....	<b>44</b>
FIJACIÓN DEL CONJUNTO DE LA		CEPILLO DEL REEMPLAZO Y GRUPO	
ESCOBILLA DE GOMA .....	28	DEL MANDO DE LA ALMOHADILLA .....	44
INSTALACIÓN DE LOS IMPULSORES DEL		GRUPE DEL DEPÓSITO DE DISOLUCIÓN .	46
CEPILLO O LA ALMOHADILLA .....	28	CONJUNTO DEPOSITO RECUPERAR ...	48
LLENADO DEL DEPÓSITO DE		CONJUNTO CONSOLA DE CONTROLES ..	50
LA DISOLUCIÓN .....	29	GRUPO DEL ELÉCTRICO .....	52
<b>OPERACIÓN DE LA MÁQUINA</b> .....	<b>30</b>	GRUPO DE TRANSMISIÓN .....	54
INSPECCIONES DE PREOPERACIÓN ....	30	CONJUNTO IMPULSO DE CEPILLO .....	56
UTILIZACIÓN DE LA MÁQUINA .....	30	CONJUNTO JUEGO DE CEPILLO .....	58
AL UTILIZAR LA MÁQUINA .....	31	GRUPO DE SOLUCIÓN .....	60
PARADA DE LA MÁQUINA .....	32	CONJUNTO DE PALETA PLANCAS .....	62
PARADA DE EMERGENCIA (OPCIÓN) ....	32	CONJUNTO PALETA .....	64
CORTACIRCUITOS .....	32	GRUPO DEL BATERÍA .....	66
<b>VACIADO DE LOS TANQUES</b> .....	<b>32</b>	<b>OPCIONES</b> .....	<b>67</b>
VACIADO DEL DEPÓSITO DE		GROUPE D'ASPIRATION ET	
RECUPERACIÓN .....	32	RACLETTE À MAIN .....	67
VACIADO DEL DEPÓSITO DE LA		ES (FREGADO PROLONGADO) JUEGO ...	68
DISOLUCIÓN .....	33	MEDIDOR DE HORA, BOTÓN DE	
<b>CARGA DE LAS BATERÍAS</b> .....	<b>33</b>	EMERGENCIA, INTERRUPTOR DE LLAVE,	
<b>MANTENIMIENTO DE MÁQUINA</b> .....	<b>35</b>	HERRAMIENTAS DE BAJO VOLTAGE .....	70
MANTENIMIENTO DIARIO .....	35	JUEGO DE CONVERSIÓN .....	71
MANTENIMIENTO MENSUAL .....	35		
MANTENIMIENTO TRIMESTRAL .....	36		
SUSTITUCIÓN DE LA LÁMINA DE LA			
ESCOBILLA DE GOMA .....	36		
AJUSTE DE LAS LÁMINAS DE			
LA ESCOBILLA .....	36		
MANTENIMIENTO DE LAS BATERÍAS .....	37		

---

## MEDIDAS DE SEGURIDAD

---

Esta máquina está destinada al uso comercial. Está diseñada exclusivamente para fregar suelos en recintos cerrados y no debe utilizarse para ningún otro uso. Utilice únicamente los cepillos, almohadillas y limpiadores de suelos específicos recomendados para máquinas disponibles en el mercado.

Todos los operarios deben leer, comprender y cumplir las siguientes medidas de seguridad.

A lo largo de todo el manual se utilizan los siguientes símbolos de advertencia y encabezados "PARA SU SEGURIDAD" descritos a continuación:

**⚠ ADVERTENCIA:** Advierte sobre riesgos o prácticas inseguras que podrían provocar lesiones personales graves o fatales.

**PARA SU SEGURIDAD:** Identifica las operaciones que debe realizar para una utilización segura del equipo.

---

El no cumplimiento de estas advertencias puede causar lesiones personales, descargas eléctricas, incendios y explosiones.

**⚠ ADVERTENCIA:** Peligro de incendio o explosión:

- Nunca utilice líquidos inflamables ni haga funcionar la máquina en las proximidades de líquidos, vapores o polvos inflamables.

*Esta máquina no está equipada con motores a prueba de explosión. Los motores eléctricos emiten chispas al arrancar y durante el funcionamiento lo que podría causar un fuego explosivo o explosión si la máquina se usa en una área donde están presentes vapores/líquidos inflamables o polvos combustibles.*

- No recoja materiales inflamables ni metales reactivos.
- Las baterías emiten hidrógeno. Mantenga chispas y llamas alejadas de la máquina. Mantenga el compartimento de la batería abierto mientras realiza la operación de carga.

**⚠ ADVERTENCIA:** Peligro choque eléctrico. Desconecte los cables de la batería antes de realizar reparaciones en la máquina.

---

La siguiente información indica las condiciones potencialmente peligrosas para el operario o equipo:

**PARA SU SEGURIDAD:**

1. No utilice la máquina:
  - Con líquidos inflamables o cerca de gases inflamables, ya que podría provocar explosiones o llamaradas.
  - Salvo que esté debidamente formado y autorizado.
  - Salvo haber leído y comprendido el manual del operario.
  - Si la máquina no funciona correctamente.
2. Antes de operar máquina:
  - Asegúrese de que todos los dispositivos de seguridad se encuentren en su lugar y funcionen correctamente.
3. Al utilizar la máquina:
  - Conduzca despacio en pendientes y superficies resbaladizas.
  - Utilice calzado antideslizante.
  - Sea precavido al retroceder la máquina.
  - Reduzca la velocidad al realizar giros.
  - Informe inmediatamente de las averías de la máquina o si el funcionamiento no es correcto.
  - No permita nunca que los niños jueguen encima o alrededor de la máquina.
  - Siga las instrucciones de mezcla y manipulación indicadas en los depósitos para los productos químicos.
4. Antes de abandonar o revisar la máquina:
  - Deténgase en una superficie horizontal.
  - Apague la máquina.
5. Al revisar la máquina:
  - Evite las partes en movimiento. No utilice chaquetas, camisas o mangas sueltas.
  - Desconecte las conexiones de la batería antes de empezar a trabajar en la máquina.
  - Utilice guantes y gafas de protección al trabajar con las baterías o sus cables.
  - Evite el contacto con el ácido de la batería.
  - Use gúinches o gatos para soportar el peso de la máquina.
  - No moje la máquina rociándola o utilizando una manguera. Pueden producirse fallos eléctricos.
  - Utilice repuestos suministrados o aprobados por el fabricante.
  - Todas las reparaciones deben ser realizadas por personal técnico cualificado.
  - No modifique el diseño original de la máquina.

# OPERACIÓN

## 6. Al transportar la máquina:

- Apague la máquina.
- Utilice una rampa al cargar/descargar la máquina en/de un camión o remolque.
- Utilice las cintas para fijar la máquina al camión o remolque.
- Coloque el cabezal de fregado en la posición bajada.

## ADHESIVOS DE SEGURIDAD

Los adhesivos de seguridad se encuentran en las posiciones indicadas a continuación. Sustituya los adhesivos si se han desprendido, están deteriorados o son ilegibles.

**ETIQUETA DE ADVERTENCIA - ESTÁ SITUADA EN LA CUBIERTA DEL TANQUE DE RECUPERACIÓN.**

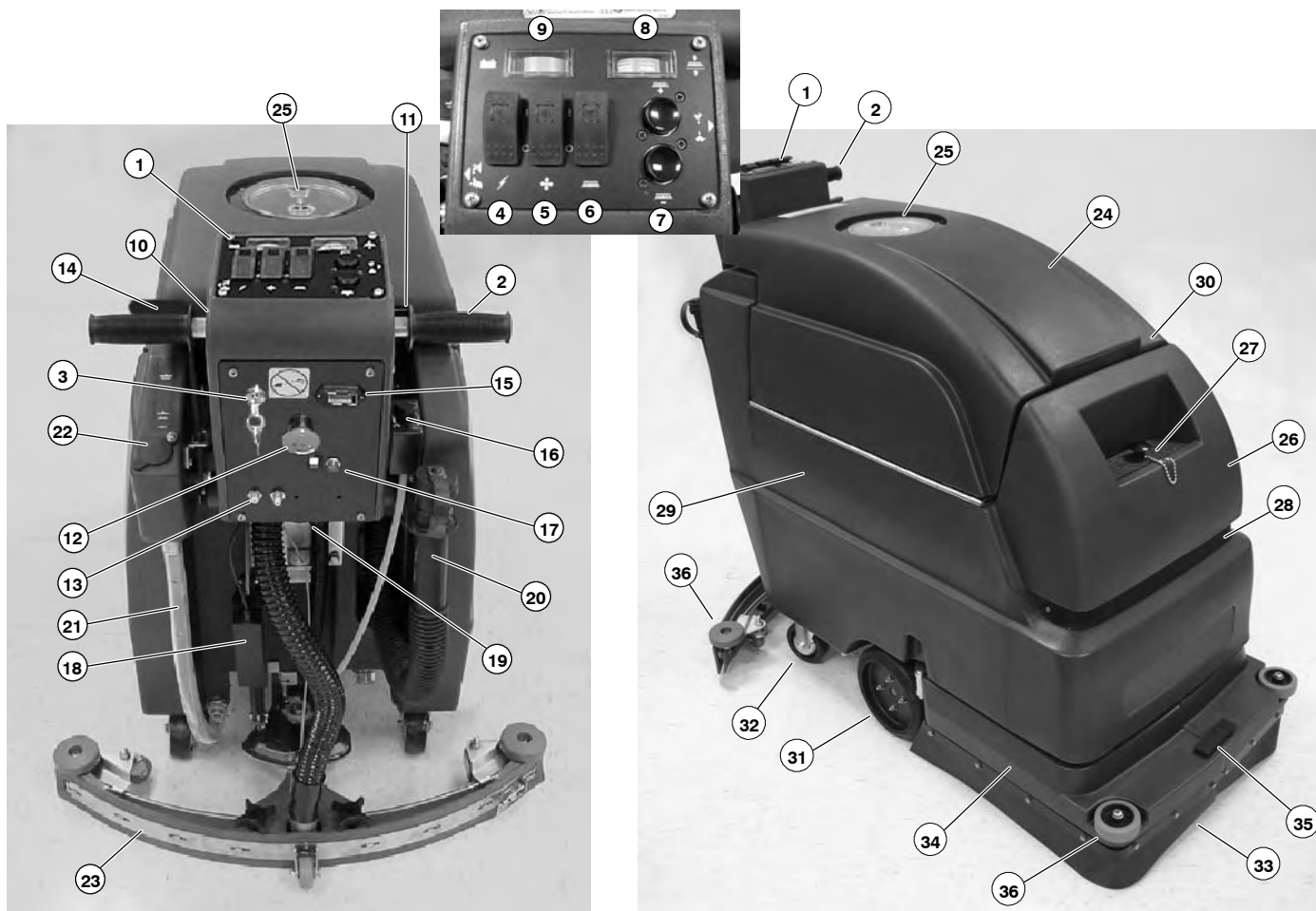


**ETIQUETA DE CAMBIO DE BATERIA - ESTÁ SITUADA EN EL COMPARTIMIENTO DE BATERÍA.**

**! ADVERTENCIA: Mantenga alejadas las chispas y las llamas expuestas. Al cargar mantenga abierta la cubierta de la batería.**


















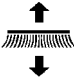


## COMPONENTES DE LA MÁQUINA



- |  |   |  |
|--|---|--|
| 1. Consola de control  | 14. Palanca de elevación de la escobilla de goma      | 26. Depósito de la disolución            |
| 2. Mandos giratorios de control                                  | 15. Contador de horas (Opción)                        | 27. Abertura de llenado de la disolución |
| 3. Contacto para la llave (Opción)                               | 16. Mando de ajuste del flujo de la disolución        | 28. Luces de seguridad                   |
| 4. Interruptor principal de encendido/apagado                    | 17. Interruptor de ES (Opción)                        | 29. Compartimento de la batería          |
| 5. Interruptor de encendido/apagado de la aspiración             | 18. Actuador del cabezal de fregado                   | 30. Enchufe del cargador                 |
| 6. Interruptor de encendido/apagado del cepillo/de la disolución | 19. Palancas de la consola de control ajustable       | 31. Ruedas impulsoras                    |
| 7. Conmutadores de presión del cepillo                           | 20. Manguera de vaciado del depósito de recuperación  | 32. Ruedecillas traseras                 |
| 8. Indicador de la presión del cepillo                           | 21. Manguera de vaciado del depósito de la disolución | 33. Aleta del cepillo                    |
| 9. Indicador del nivel de carga de la baterías                   | 22. Orificio trasero de llenado                       | 34. Bastidor de la aleta                 |
| 10. Interruptor de marcha atrás                                  | 23. Conjunto de la escobilla de goma                  | 35. Pestillo del bastidor de la aleta    |
| 11. Mando de control de la velocidad                             | 24. Depósito de recuperación                          | 36. Rodillos de pared                    |
| 12. Botón de parada (Opción)                                     |   |  |
| 13. Cortacircuitos principal, de impulsión/de aspiración         |   |  |

# OPERACIÓN

## SÍMBOLOS DEL PANEL DE CONTROL

	Circuito principal		Velocidad rápida		Cortacircuitos del motor del cepillo lateral derecho		Lea el Manual antes de utilizar la máquina
	Aspiración		Velocidad lenta		Cortacircuitos del motor del cepillo lateral izquierdo		Control de la disolución
	Cepillo		Marcha atrás		Cortacircuitos del motor de aspiración		Indicador del nivel de carga de la batería
	Menos presión del cepillo		Escobilla de goma elevada		Cortacircuitos del circuito principal		Indicador de la presión del cepillo
	Más presión del cepillo		Escobilla de goma bajada				

## INSTALACIÓN DE LA MÁQUINA

### DESEMBALADO DE LA MÁQUINA

Compruebe cuidadosamente si la caja de cartón muestra daños. En caso de que así sea informe inmediatamente al transportista. Controle el contenido de la caja para asegurarse de que incluye todos los accesorios. La escobilla de goma está embalada con la máquina. Las baterías y su cargador y el(los) impulsor(es) de la almohadilla están embalados aparte.

**ATENCIÓN: La instalación de la batería debe realizarse después de desembalar totalmente la máquina.**

Para desembalar la máquina, retire las cintas de sujeción y levántela cuidadosamente o utilice una rampa formada con las planchas de embalaje para retirar la máquina del pallet.

**ATENCIÓN: No retire la máquina del pallet haciéndola rodar porque podría averiarla.**

### INSTALACIÓN DE LAS BATERÍAS

**⚠ ADVERTENCIA: Peligro de incendio o explosión. Las baterías emiten hidrógeno. Mantenga chispas y llamas alejadas de la máquina. Mantenga la tapa del compartimento de la batería abierto mientras realiza la operación de carga.**

**PARA SU SEGURIDAD: Al revisar la máquina, utilice guantes y gafas de protección cuando manipule las baterías y sus cables. Evite el contacto con el ácido de la batería.**

#### Especificaciones de la Batería:

Dos baterías de 12 voltios de ciclo profundo. Consulte a un distribuidor autorizado sobre baterías específicas. Las dimensiones máximas de la batería son 7 pulg / 178 mm ancho x 15 pulg / 381 mm largo x 14 pulg / 356 mm alto.

1. Sitúe todos los interruptores en la posición de APAGADO.
2. Abra cuidadosamente el depósito de recuperación para acceder al compartimento de la batería. Extraiga del compartimento los cables sueltos de la batería (Figura 1).



FIG. 1

3. Instale con cuidado las baterías en la bandeja de la batería que se encuentra en el fondo del compartimento e instale los bornes de la batería como se muestra (Figura 2).



FIG. 2

**ATENCIÓN: Deposite las baterías en el compartimento, no las deje caer, tanto la batería como su soporte podrían averiarse. La garantía no cubre este tipo de desperfectos.**

4. Conecte los cables de la batería a los bornes de la batería como se muestra (ROJO EN EL POSITIVO Y NEGRO EN EL NEGATIVO) (Figura 2).
5. Gire la llave y encienda el interruptor principal y controle el nivel de carga de la batería. Cargue la batería en caso necesario (Consulte el apartado de CARGA DE LAS BATERÍAS).

# OPERACIÓN

## PREPARACIÓN DE LA MÁQUINA

### FIJACIÓN DEL CONJUNTO DE LA ESCOBILLA DE GOMA

1. Apague el poder de máquina.

**PARA SU SEGURIDAD: Antes de abandonar o revisar la máquina, deténgala en una superficie horizontal y apague la máquina.**

2. Eleve el soporte de montaje de la escobilla de goma tirando hacia atrás de la palanca de elevación de la escobilla de goma (Figura 3).



FIG. 3

3. Afloje los dos tornillos de orejas del conjunto de la escobilla de goma e introduzca dicha escobilla deslizándola en las ranuras del soporte de montaje de la escobilla de goma (Figura 4).



FIG. 4

4. Fije bien los tornillos de orejas.

5. Conecte la manguera de aspiración de la máquina al conjunto de la escobilla de goma (Figura 5).

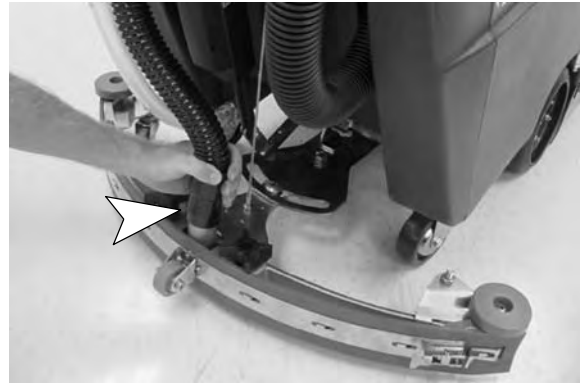


FIG. 5

### INSTALACIÓN DE LOS IMPULSORES DEL CEPILLO O LA ALMOHADILLA

1. Gire la llave y encienda el interruptor principal.
2. Asegurarse que el cabezal del cepillo esté elevado apagando el conmutador del cepillo (Figura 6).



FIG. 6

3. Sitúe el interruptor principal y la llave de contacto en la posición de apagado.

**PARA SU SEGURIDAD: Antes de abandonar o revisar la máquina, deténgala en una superficie horizontal y apague la máquina.**

- Suelte el pestillo negro de la parte delantera de la máquina y abra el soporte de la aleta para poder acceder al cubo del motor (Figura 7).



FIG. 7

- Seleccione los cepillos o almohadillas recomendados que mejor se ajusten a sus necesidades de limpieza.

**NOTA:** Consulte a un distribuidor autorizado el tipo de cepillo/almohadilla recomendado para sus necesidades.

- (Instalación de la almohadilla)** Fije las almohadillas a los impulsores antes de conectar dichos impulsores a los cubos del motor. Fije las almohadillas con el cierre central de plástico en forma de anillo (Figura 8).

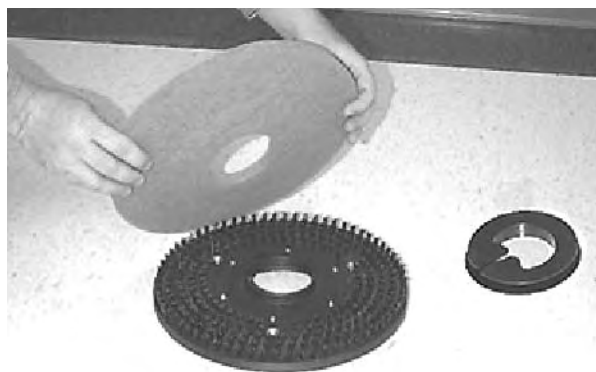


FIG. 8

- Alinee los pernos de montaje del impulsor de la almohadilla y las ranuras del cubo del motor. Gire rápidamente el impulsor hacia el sujetador de resorte del cubo del motor. Asegúrese antes de poner la máquina en funcionamiento de que el sujetador de resorte se introduce e inmobiliza en uno de los pernos del impulsor (Figura 9).

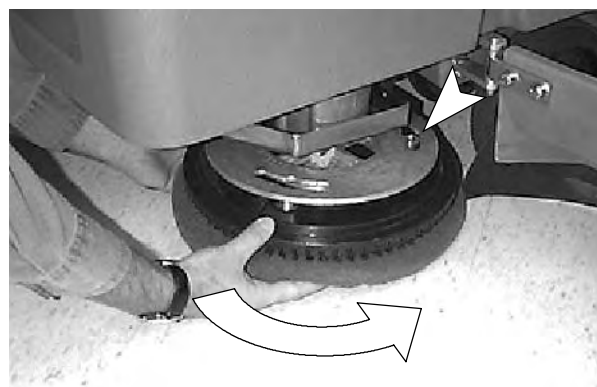


FIG. 9

**NOTA:** Asegúrese siempre de que las superficies de los impulsores de la almohadilla y del cubo del motor estén siempre limpias antes de instalar los impulsores. Las superficies limpias facilitarán la posterior extracción del impulsor de la almohadilla.

- Cierre el soporte de la aleta y vuelva a cerrar el pestillo.

## LLENADO DEL DEPÓSITO DE LA DISOLUCIÓN

- Dirija la máquina a la zona de llenado. Levante la escobilla de goma y el cepillo durante el transporte.
- Apague el poder de máquina.
- Retire la tapa del orificio de llenado de la máquina y llene el depósito de la disolución con 17 galones / 64 litros de agua limpia (temperatura máxima de 140°F / 60°C). O utilice el orificio de llenado trasero para llenar el depósito de la disolución. Quite el tapón e introduzca una manguera para llenarlo. El tubo transparente que se encuentra debajo del orificio de llenado tiene unas marcas cada 5 galones / 19 litros que indican el volumen de agua del depósito (Figura 10).



FIG. 10

**NOTA:** Si utiliza un cubo para llenar el depósito, asegúrese de que dicho cubo esté limpio. Esto evitará posibles obstrucciones de las tuberías de la disolución.

# OPERACIÓN

4. Añada el producto de limpieza. Consulte en las instrucciones del envase la proporción correcta de la disolución.

**PARA SU SEGURIDAD:** Siga las instrucciones de mezcla y manipulación indicadas en los envases de los productos químicos cuando utilice la máquina.

**ATENCIÓN:** Utilice únicamente productos de limpieza recomendados, NO utilice sustitutos. Consulte a un distribuidor autorizado acerca de los productos de limpieza recomendados.

**⚠ ADVERTENCIA:** Peligro de incendio o explosión. No utilizar NUNCA líquidos inflamables.

## OPERACIÓN DE LA MÁQUINA

**PARA SU SEGURIDAD:** No utilice la máquina salvo que el operario haya leído y comprendido el manual de instrucciones.

### INSPECCIONES DE PREOPERACIÓN

- Barra el suelo para eliminar partículas y otros restos.
- Controle el nivel de carga de la batería para asegurarse que de las baterías están completamente cargadas (*Consulte el apartado CARGA DE LAS BATERÍAS*).
- Controle el estado de los cepillos o almohadillas.
- Controle el estado de las láminas de la escobilla de goma.

### UTILIZACIÓN DE LA MÁQUINA

1. Ajuste los mandos de control a una altura de funcionamiento cómoda, junte las dos palancas que se encuentran bajo la consola (Figura 11).

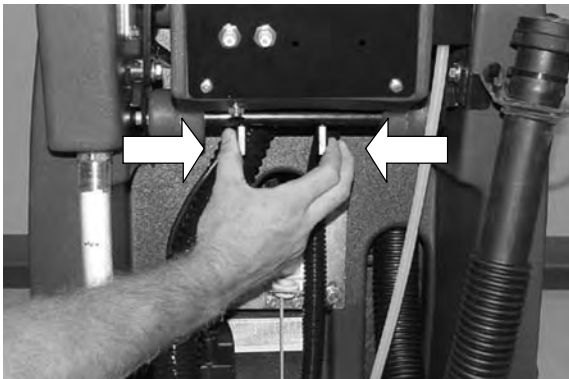


FIG. 11

2. Suelte la palanca de elevación de la escobilla de goma de la posición superior y baje la escobilla de goma (Figura 12).



FIG. 12

3. Encienda el conmutador principal.
4. Gire el conmutador del cepillo a la posición de encendido para descender el cabezal del cepillo al piso (Figura 13).



FIG. 13

5. Gire el conmutador de aspiración a la posición de encendido.

**NOTA:** Los cepillos y el flujo de disolución no empezarán a funcionar hasta girar los mandos de control.

6. Antes de arrancar, gire el mando de control de la velocidad a la velocidad más lenta (Figura 14).
7. Comience la operación de fregado girando hacia delante los mandos de control. Aumente gradualmente la velocidad girando hacia delante los mandos de control de la velocidad (Figura 14).



FIG. 14

8. Una vez que la máquina comienza a moverse, inspeccionar la posición de la aguja en el medidor de presión del cepillo. Usar los dos (2) conmutadores de ajuste de presión para ajustar la presión del cepillo. No operar nunca la máquina en la zona roja (Figura 15).



FIG. 15

**ATENCIÓN:** Para evitar el posible deterioro del acabado del suelo y la activación del cortacircuitos del cepillo NO utilice la máquina cuando la aguja de la presión del cepillo se encuentra en la zona roja.

9. Para utilizar la máquina marcha atrás, simplemente tire hacia atrás del interruptor de marcha atrás (una velocidad) (Figura 16).



FIG. 16

10. Para detener la máquina suelte los mandos de control.

## AL UTILIZAR LA MÁQUINA

**PARA SU SEGURIDAD:** Conduzca despacio cuando utilice la máquina en pendientes o superficies resbaladizas.

**⚠ ADVERTENCIA:** Peligro de incendio o explosión. NO recoja materiales inflamables ni metales reactivos.

1. Ajuste el botón para controlar la cantidad de flujo de disolución al suelo (Figura 17).



FIG. 17

2. Controle periódicamente que no exista acumulación de espuma en el depósito de recuperación (mire a través de la tapa transparente). Si la acumulación de espuma empieza a ser excesiva, añada un producto de control de la formación de espuma al depósito de recuperación.

**ATENCIÓN:** No permita que el agua o la espuma se introduzcan en el filtro del flotador de cierre, el motor de aspiración resultaría dañado. La espuma no activará el filtro del flotador de cierre.

3. Reduzca la velocidad siempre que friegue cerca de paredes u obstáculos.
4. Para mantener el control sobre la máquina, reduzca la velocidad siempre que tome curvas.
5. Si la escobilla de goma deja marcas, eleve la escobilla de goma y limpie las láminas con un paño. Realice un barrido previo de la zona para evitar la formación de marcas.
6. Haga que los diferentes pases se superpongan 2 pulg / 5 cm.
7. Cambie o gire las almohadillas cuando estén sucias.
8. Manténgase alejado de obstáculos del suelo como placas eléctricas o rejillas, romperían las almohadillas.
9. No es necesario apagar ningún interruptor durante las paradas cortas, los cepillos y el flujo de la disolución se detendrán automáticamente al soltar los mandos de control.

# OPERACIÓN

10. Controle periódicamente el nivel de carga de la batería. Recargue las baterías cuando la aguja del indicador se encuentre en la zona roja.

**ATENCIÓN: No utilice la máquina cuando la aguja del indicador del nivel de carga de la batería se encuentre en la zona roja o podría dañar la batería.**

11. Controle la cantidad de disolución que queda durante la operación de limpieza a través del tubo indicador transparente. Cada marca de la manguera indica cinco galones / 19 litros.
12. Cuando el tanque de solución no contiene más líquido, girar el conmutador del cepillo a apagado, y continuar aspirando hasta que se haya consumido todo el agua sucia. A continuación drenar el tanque de recuperación (Consulte el apartado de VACIADO DE LOS TANQUES).

## PARADA DE LA MÁQUINA

1. Girar el conmutador del cepillo a apagado, y continuar aspirando hasta que se haya consumido todo el agua sucia.
2. Suelte los mandos de control.
3. Elevar el escurridor.
4. Apague los interruptores.

**PARA SU SEGURIDAD: Antes de abandonar o revisar la máquina, deténgala en una superficie horizontal y apague la máquina.**

## PARADA DE EMERGENCIA (OPCIÓN)

Para detener la máquina en caso de emergencia, pulse el botón rojo de parada situado en la parte trasera de la consola de control. El botón de parada interrumpe inmediatamente la alimentación eléctrica a la máquina (Figura 18).

Para reajustar el botón de parada, apague todos los interruptores y gire el botón de parada hacia la derecha. Reanude el funcionamiento normal.

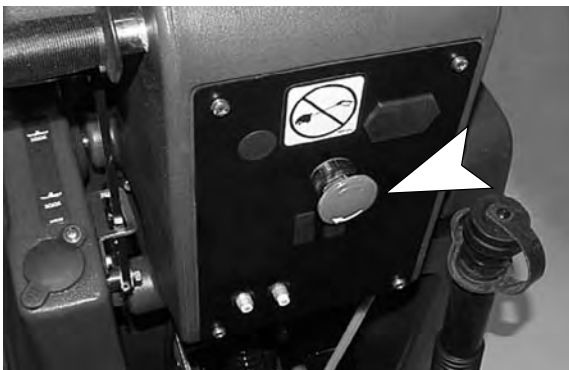


FIG. 18

## CORTACIRCUITOS

La máquina está equipada con (4) cortacircuitos de protección.

Si se activan los cortacircuitos, no los reajuste inmediatamente. Determine la causa de la activación del cortacircuitos, deje que el motor se enfríe y reajuste dicho cortacircuitos.

Los cortacircuitos del motor del cepillo se activarán debido a una carga excesiva de la almohadilla. Reduzca la presión de la almohadilla o sustitúyala si se activa el cortacircuitos. Los cortacircuitos del motor del cepillo se encuentran cerca del enchufe del cargador.

Los cortacircuitos principal y de impulsión/aspiración se encuentran en la parte trasera de la máquina (Figura 19).

- Interruptor de circuito principal 10A
- Interruptor de circuito aspiración/impulsoras 35A
- Interruptor de circuito cepillo 30A (2)

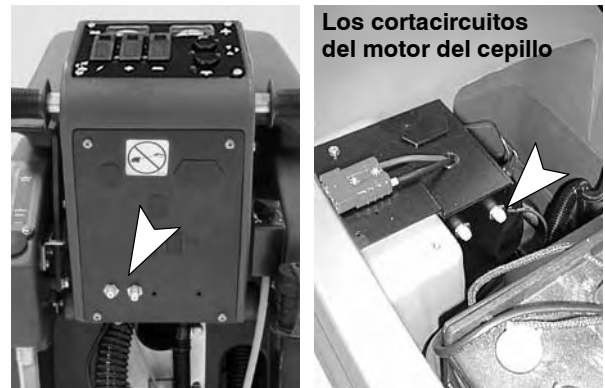


FIG. 19

## VACIADO DE LOS TANQUES

**PARA SU SEGURIDAD: Antes de abandonar o revisar la máquina, deténgase en una superficie plana, apague la máquina.**

## VACIADO DEL DEPÓSITO DE RECUPERACIÓN

Vacíe y limpie del depósito de recuperación al terminar la operación de fregado o rellenar el depósito de disolución.

**ATENCIÓN: Si no vacía el depósito de recuperación antes de rellenarlo, podría introducirse agua o espuma en el filtro del flotador de cierre y dañar el motor de aspiración.**

1. Extraiga la manguera de vaciado de su soporte, coloque la manguera en el desagüe y abra el tapa de la manguera de vaciado. Para vaciar completamente el depósito de recuperación abra la tapa del depósito lateralmente y coloque la barra de apoyo para colocar el depósito sobre ella (Figura 20).

**NOTA:** Si utiliza un cubo para vaciar la máquina, no utilice el mismo cubo para llenar el depósito de la disolución. Esto evitará que las tuberías de la disolución se bloqueen.



FIG. 20

2. Aclare el depósito de recuperación después de cada uso. Utilice una manguera para aclarar el depósito. Tenga cuidado de no introducir agua en el filtro del flotador.
3. Vuelva a colocar bien el tapa de la manguera de vaciado después de la operación de vaciado.

## VACIADO DEL DEPÓSITO DE LA DISOLUCIÓN

Para vaciar la disolución que no se ha utilizado del depósito de la disolución siga los siguientes pasos:

1. Saque la manguera transparente que se encuentra en la parte trasera de la máquina de su soporte y vacíe la disolución en un desagüe o cubo (Figura 21).



FIG. 21

2. Aclare el depósito de la disolución y el sistema de flujo de la disolución con agua limpia después de cada uso. Esto evitará el bloqueo debido a la acumulación de productos químicos.
3. Vuelva a colocar la manguera transparente en su soporte. Asegúrese de introducirla bien.

## CARGA DE LAS BATERÍAS

**ATENCIÓN:** Para prolongar la vida útil de las baterías y obtener un rendimiento óptimo de la máquina, recargue ÚNICAMENTE las baterías si se ha utilizado la máquina más de 30 minutos. No deje nunca las baterías descargadas durante periodos largos.

Las siguientes instrucciones de carga se refieren sólo a los cargadores suministrados con la máquina. Utilice únicamente cargadores de baterías de las siguientes características para evitar el deterioro de las baterías.

### CARACTERÍSTICAS DEL CARGADOR DE BATERÍAS:

- TIPO DE CARGADOR: PARA BATERÍAS DE PLOMO CON ÁCIDO
- VOLTAJE DE SALIDA 24 VOLTIOS
- CORRIENTE DE SALIDA 25 AMP
- CIRCUITO DE CIERRE AUTOMÁTICO
- PARA CARGAR BATERÍAS DE CICLO PROFUNDO

1. Dirija la máquina a una zona bien ventilada para cargar las baterías.

**⚠ ADVERTENCIA: Peligro de incendio o explosión. Las baterías emiten hidrógeno. Mantenga chispas y llamas alejadas de la máquina. Mantenga el compartimento de la batería abierto mientras realiza la operación de carga.**

2. Antes de cargar las baterías, compruebe el nivel de electrolito en cada elemento de la batería (Figura 22).



FIG. 22

# OPERACIÓN

**PARA SU SEGURIDAD: Al revisar la máquina, utilice guantes y gafas de protección cuando manipule las baterías y sus cables. Evite el contacto con el ácido de la batería.**

El nivel del electrolito (A) debe cubrir ligeramente los electrodos de la batería (B). Añada agua destilada si es necesario. **NO LLENE EN EXCESO**, el nivel del líquido puede expandirse y desbordarse al cargar. Coloque de nuevo las tapas de los elementos antes de la operación de carga (Figura 23).

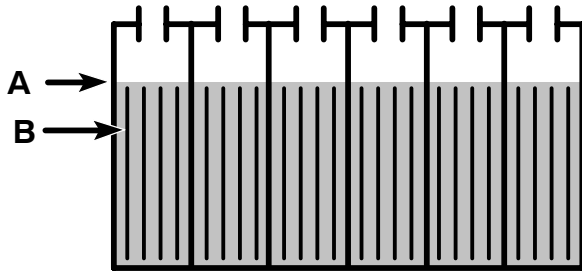


FIG. 23

3. Conecte el cable de alimentación eléctrica de CA del cargador a un enchufe con toma de tierra adecuada (Figura 24).

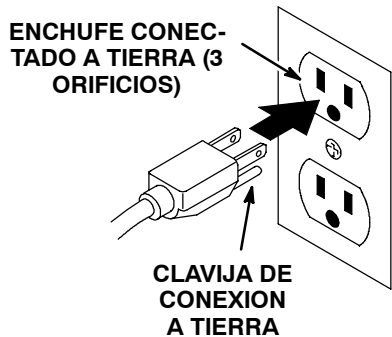


FIG. 24

4. Enchufe el conector de salida CC del cargador al conector de la batería situado cerca del compartimento de la batería (Figura 25).

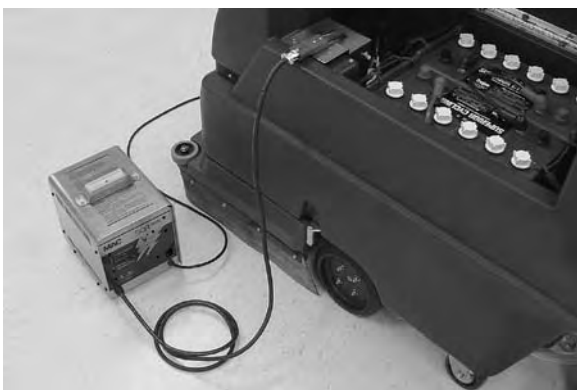


FIG. 25

5. El cargador comenzará la carga automáticamente y se apagará cuando la carga sea completa.
6. Coloque el depósito de recuperación sobre su soporte para facilitar la ventilación durante la carga (Figura 26).



FIG. 26

**ATENCIÓN: No desenchufe del receptáculo de la máquina el cable de CC del cargador cuando esté en funcionamiento. Pueden producirse arcos voltaicos. Si es necesario interrumpir la carga, desenchufe el cable de alimentación de CA primero.**

**⚠ ADVERTENCIA: Peligro de incendio o explosión. Las baterías emiten hidrógeno. Mantenga chispas y llamas alejadas de la máquina. Mantenga el compartimento de la batería abierto mientras realiza la operación de carga.**

7. Después de realizar la carga, compruebe el nivel del electrolito (A) de nuevo. El nivel debe estar a aproximadamente 1 cm de la parte inferior del orificio de llenado (B) (Figura 27). Añada agua destilada en caso necesario. **NO LLENE EN EXCESO.**

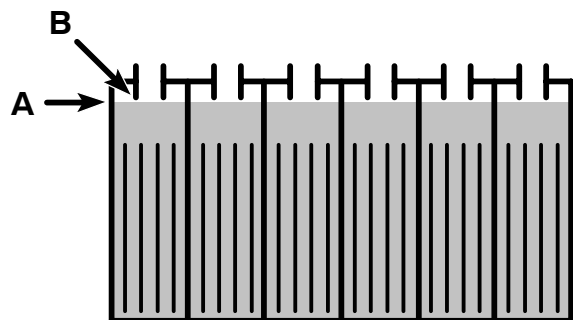


FIG. 27

## MANTENIMIENTO DE MÁQUINA

Para mantener la máquina en buenas condiciones de funcionamiento bastará realizar las siguientes operaciones de mantenimiento diaria, mensual o trimestralmente.

**⚠ ADVERTENCIA: Peligro eléctrico. Desconecte los cables de la batería antes de realizar reparaciones en la máquina.**

### MANTENIMIENTO DIARIO (Después de cada uso)

1. Extraiga y limpie los cepillos o almohadillas. No utilice nunca almohadilla sucias durante las operaciones de limpieza. Sustituya las almohadilla cuando estén gastadas o sucias.
2. Extraiga y limpie la pelusa del filtro del flotador de cierre del depósito de recuperación (Figura 28).



FIG. 28

3. Vacíe y limpie a fondo los depósitos. Después de vaciar los depósitos, abra el depósito de recuperación hasta que pueda ver el orificio de entrada de la aspiración en la parte trasera del depósito. En caso necesario retire los residuos bloqueados en dicho orificio.
4. Eleve la escobilla de goma y límpiela con un paño seco. Guarde la escobilla de goma en la posición elevada para evitar que se deteriore.
5. Limpie la máquina con un limpiador general y con un paño húmedo (Figura 29).

**PARA SU SEGURIDAD: Cuando limpie la máquina, no moje la máquina rociándola o utilizando una manguera. Pueden producirse fallos eléctricos.**



FIG. 29

6. Recargue las baterías después de haberlas utilizado durante un tiempo mínimo de 30 minutos (Consulte CARGA DE LAS BATERÍAS.)

### MANTENIMIENTO MENSUAL (Cada 80 horas de uso)

1. Controle el nivel del agua de los elementos de la batería (Consulte el apartado de MANTENIMIENTO DE LAS BATERÍAS).
2. Limpie la parte superior de la batería para evitar la formación de corrosión (Consulte el apartado de MANTENIMIENTO DE LAS BATERÍAS).
3. Compruebe si hay conexiones de cables de las baterías sueltas.
4. Extraiga el filtro en línea. Antes de extraer el filtro, asegúrese de que el depósito de la disolución está vacío. El filtro se encuentra debajo de la máquina en la parte trasera (Figura 30).

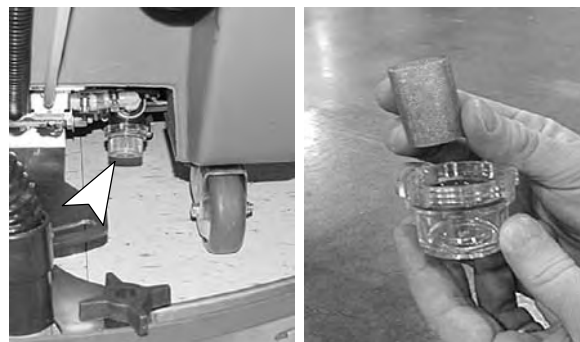


FIG. 30

5. Lubrique los puntos de lubricación de la ruedecilla con grasa impermeable.
6. Lubrique todos los puntos pivotantes de conexión con un spray de silicona y luego con una capa de grasa impermeable para permitir un funcionamiento suave.
7. Controle que la máquina no presenta escapes de agua ni tornillos ni tuercas flojos.

# OPERACIÓN

## MANTENIMIENTO TRIMESTRAL (Cada 250 horas de uso)

Inspeccione el motor propulsor del eje transversal, los motores de aspiración y los motores de los cepillos, por desgaste de las escobillas de carbón. Reemplace las escobillas cuando estén desgastadas a un largo de 0.38 pulg / 10 mm o menos.

**Póngase en contacto con un Centro de Servicio autorizado para reparar las reparaciones necesarias.**

**PARA SU SEGURIDAD:** Todas las reparaciones deben ser realizadas por una persona de servicio calificada.

**⚠ ADVERTENCIA:** Peligro eléctrico. Desconecte los cables de la batería antes de realizar reparaciones en la máquina.

## SUSTITUCIÓN DE LA LÁMINA DE LA ESCOBILLA DE GOMA

La rasqueta lleva dos hojas. La hoja trasera tiene cuatro bordes limpiadores. La hoja delantera tiene dos bordes limpiadores. Cuando las láminas se gasten, simplemente gírelas obtener un nuevo borde de secado. Sustituya la lámina si los bordes están gastados.

**Como recambiar o hacer rotar la hoja de rasqueta trasera:**

1. Extraiga el conjunto de la escobilla de goma de la máquina.
2. Afloje la banda de fijación y retírela del conjunto de la escobilla (Figura 31).

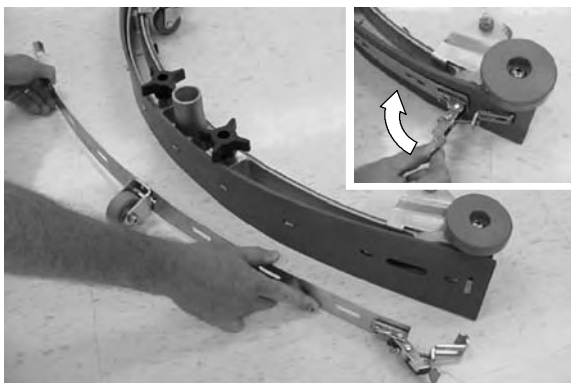


FIG. 31

3. Gire la lámina posterior para obtener un nuevo borde de secado y vuelva a montar la banda (Figura 32).

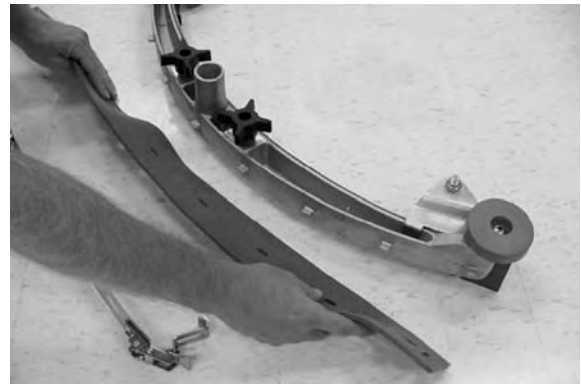


FIG. 32

**Como recambiar o hacer rotar la hoja de rasqueta delantera:**

1. Extraiga el conjunto de la escobilla de goma de la máquina.
2. Quitar los seis tornillos de orejas que fijan el sujetador y la hoja en el bastidor de la rasqueta. Hacer rotar la hoja en sentido horizontal para que un borde limpiador nuevo quede en la parte delantera. Asegúrese de que el borde ranurado está boca abajo (Figura 33).

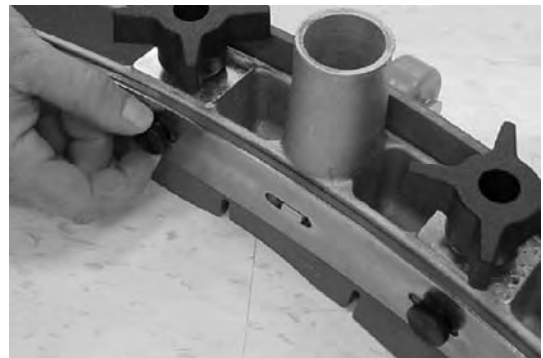


FIG. 33

## AJUSTE DE LAS LÁMINAS DE LA ESCOBILLA

Para obtener un rendimiento óptimo de la lámina de la escobilla, las ruedecillas del conjunto de la escobilla deben ajustarse a una altura especificada como se describe a continuación.

1. Para comprobar el correcto ajuste del conjunto de la escobilla, retire el conjunto de la escobilla de la máquina y colóquelo sobre una superficie horizontal. Mida la distancia entre la ruedecilla y la superficie. Debe medir aproximadamente 2 mm (1/16 pulg.) (Figura 34).

- Para ajustar la altura de la ruedecilla, afloje la tuerca superior y retire la cubierta de plástico del cojinete para acceder a la tuerca de ajuste. Gire la tuerca de ajuste hasta que el ajuste sea el correcto (Figura 34). Después de realizar el ajuste, apriete la tuerca superior y vuelva a colocar la cubierta de plástico del cojinete. Repita la misma operación con la otra ruedecilla.

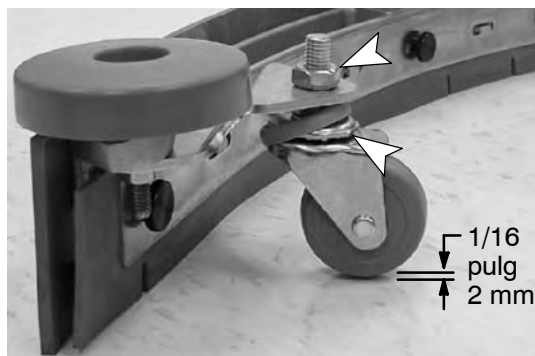


FIG. 34

- Durante el funcionamiento de la máquina, con las ruedecillas adecuadamente ajustadas, las láminas de la escobilla deben curvarse como se muestra (Figura 35).

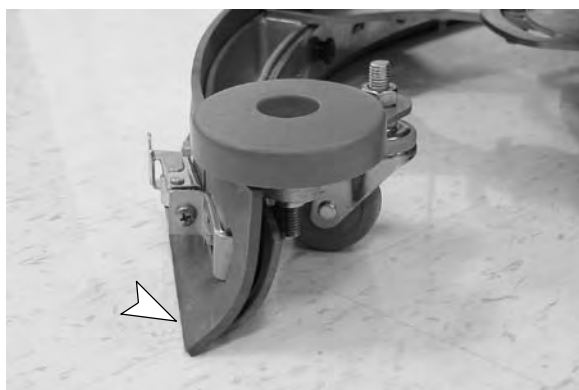


FIG. 35

## MANTENIMIENTO DE LAS BATERÍAS

**⚠ ADVERTENCIA: Peligro de incendio o explosión. Las baterías emiten hidrógeno. Mantenga chispas y llamas alejadas de la máquina. Mantenga el compartimento de la batería abierto mientras realiza la operación de carga.**

**PARA SU SEGURIDAD: Al revisar la máquina, utilice guantes y gafas de protección cuando manipule las baterías y sus cables. Evite el contacto con el ácido de la batería.**

- Compruebe la densidad específica utilizando un densímetro para determinar el nivel de carga y el estado de las baterías (Figura 36). Si el valor de uno o más elementos de la batería es inferior al de los otros elementos de la batería (0,050 ó más), este elemento está deteriorado, en cortocircuito o a punto de fallar. Compare los valores obtenidos con el densímetro con los del siguiente esquema para determinar el nivel de carga que queda en la batería.

**NOTA:** No tome medidas inmediatamente después de añadir agua destilada. Si el agua y el ácido no están bien mezclados, es posible que el valor medido puede no sea correcto.

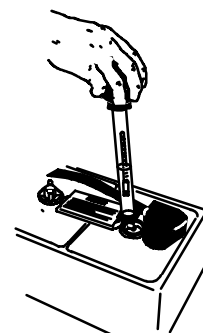


FIG. 36

DENSIDAD ESPECÍFICA a 27°C (80°F)	CARGA DE LA BATERÍA
1,265	100% DE CARGA
1,223	75% DE CARGA
1,185	50% DE CARGA
1,148	25% DE CARGA
1,110	DESCARGADA

**NOTA:** Si la temperatura del electrolito de la batería a la que se miden los valores no es de 80°F / 27°C, deberá corregir el valor dependiendo de la temperatura. Sume o reste 0,004, 4 puntos, al valor de la densidad específica por cada 43°F / 6°C de diferencia por encima o debajo de 80°F / 27°C.

- Siga siempre las instrucciones de la operación de carga (consulte CARGA DE LAS BATERÍAS).
- Controle el nivel de electrolito (A) en todos los elementos de las baterías después de realizar la operación de carga. El nivel debe estar a aproximadamente 1 cm de la parte inferior del orificio de llenado (B). Añada agua destilada en caso necesario (Figura 37). **NO LLENE EN EXCESO.**

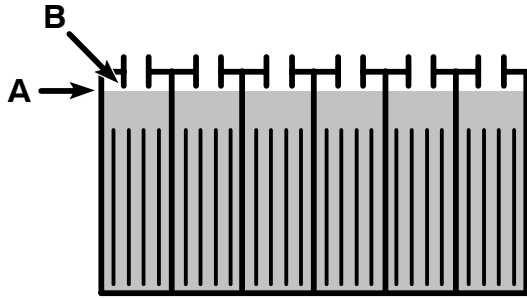


FIG. 37

- Mantenga limpias las partes superiores de las baterías para evitar la corrosión.

Limpieza de las baterías:

**PARA SU SEGURIDAD: Al revisar la máquina, utilice guantes y gafas de protección cuando manipule las baterías y sus cables. Evite el contacto con el ácido de la batería.**

- Haga una solución concentrada de bicarbonato y agua (Figura 38).



FIG. 38

- Rocíe ligeramente las partes superiores de las baterías y conectores de cables con la disolución.

**NOTA:** No permita que la solución de bicarbonato se introduzca en los elementos de las baterías.

- Utilice un cepillo de cerdas metálicas para limpiar los bornes y conectores de cables.
  - Después de la limpieza, aplique una capa de protector transparente de bornes de baterías a los bornes y conectores de cables.
- Controle si existen cables gastados o sueltos. Sustitúyalos si están gastados.

## TRANSPORTE DE LA MÁQUINA

Cuando transporte la máquina en un camión o remolque, asegúrese de seguir los pasos siguientes para sujetar la máquina:

**PARA SU SEGURIDAD: Conduzca despacio cuando utilice la máquina en pendientes o superficies resbaladizas.**

- Retire la escobilla de goma de la máquina y levante el cabezal de fregado. Deje instalado el cepillo o la almohadilla.
- Cargue la máquina utilizando la rampa de carga recomendada.
- Colocar el frente de la máquina contra la parte delantera del remolque o camión. Una vez que la máquina esté en posición, bajar el cabezal del cepillo.
- Coloque un calzo detrás de la rueda tractora y de las ruedecillas traseras.
- Pase las cintas de sujeción por la parte superior de la máquina y sujételas al suelo. Puede ser necesario instalar varios soportes de sujeción en el suelo de su camión o remolque.

## ALMACENAMIENTO DE LA MÁQUINA

- Cargue las baterías antes de guardar la máquina. No guarde nunca máquina con las baterías descargadas.
- Antes de guardar la máquina, asegúrese de aclarar y vaciar todo el agua de los depósitos de la máquina.
- Guarde la máquina en un sitio seco desmontando la escobilla de goma y con el cabezal de fregado en la posición elevada.
- Quite la tapa de recuperación para facilitar la circulación de aire.

**ATENCIÓN: Si guarda la máquina a temperaturas inferiores a 0°C, asegúrese de vaciar todo el agua de la máquina. La garantía no cubre averías causadas por heladas.**

**ATENCIÓN: No permita que la lluvia moje la máquina, guárdela en lugares cerrados.**

## RECOMENDACIONES PARA EL ALMACENAMIENTO

Consulte la sección de Lista de Repuestos para ver que productos son los recomendados. Los elementos de almacén están claramente identificados con una marca colocada delante de la descripción de la pieza. Consulte el siguiente ejemplo:

Ref.	Part No.	Description	Qty.
1	201103	ASM, STANDPIPE	1
2	190612	●FLOAT, SHUTOFF	1
3	230197	NIPPLE	1
4	101714	●GASKET	1
5	210240	NUT, FLANGED	1

## LOCALIZACIÓN DE AVERÍAS

PROBLEMA	CAUSA	SOLUCIÓN
No hay alimentación, no funciona nada.	Interruptor principal defectuosos.	Contactar con el Servicio Técnico.
	Las baterías necesitan ser cargadas.	Consultar el apartado de CARGA DE LAS BATERÍAS.
	Batería(s) defectuosa(s).	Sustituir la(s) batería(s).
	Cable de la batería suelto.	Fijar el cable suelto.
	Cortacircuitos principal activado.	Determinar la causa y reajustar el botón del cortacircuitos.
Los motores del cepillo no funcionan.	El interruptor del cepillo no está encendido.	Encender el interruptor del cepillo.
	Los mandos de control no están girados.	Girar los mandos de control.
	Cortacircuitos del cepillo activado(s).	Limpiar o sustituir la almohadilla y reajustar el botón del cortacircuitos.
	Cableado o motor del cepillo defectuosos.	Contactar con el Servicio Técnico.
	Cepillos de carbón gastados.	Contactar con el Servicio Técnico.
Motor de aspiración no funciona.	El motor de impulsión no funciona.	Contactar con el Servicio Técnico.
	Interruptor de aspiración defectuoso.	Contactar con el Servicio Técnico.
	Corta circoito de aspiración ha saltado.	Retirar obstrucción y pouga cortacircuito de nuevo.
	Cableado o motor del aspiración defectuosos.	Contactar con el Servicio Técnico.
	Carbucillos degastados.	Contactar con el Servicio Técnico.

# OPERACIÓN

## LOCALIZACIÓN DE AVERÍAS - continuación

Motor de avance no funciona.	Cortacircuitos del motor de impulsión activado.	Determinar la causa y reajustar el cortacircuitos.
	Circuito de control de la velocidad o conexión defectuoso.	Contactar con el Servicio Técnico.
	Solenoides defectuosos.	Contactar con el Servicio Técnico.
	Motor de impulsión defectuoso.	Contactar con el Servicio Técnico.
	Cableado defectuoso.	Contactar con el Servicio Técnico.
	Cepillos de carbón gastados.	Contactar con el Servicio Técnico.
Los motor de impulsión funcionan pero no correctamente.	Potenciómetro o circuito de control de la velocidad defectuoso.	Contactar con el Servicio Técnico.
	Conexión del cable suelta	Contactar con el Servicio Técnico.
Flujo de la disolución escaso o nulo.	Es necesario ajustar el botón de ajuste del flujo de la disolución.	Gire el botón de ajuste del flujo de disolución en el sentido de las agujas del reloj para aumentar el flujo.
	Tubería de la disolución o filtro del depósito de la disolución bloqueados.	Retirar la manguera e introducir aire comprimido a través de su orificio. Aclarar el depósito de la disolución después de cada uso.
	Válvula o solenoide de la disolución bloqueados.	Retirar la válvula o el solenoide y limpiar. No raye el interior de la válvula.
	Interruptor o solenoide de la disolución defectuoso.	Contactar con el Servicio Técnico.
	Afloje el tornillo de fijación del mando de la disolución	Calibre el mando y vuelva a apretar tornillos.
Tiempo de funcionamiento demasiado corto.	Las baterías no están totalmente cargadas.	Cargar las baterías.
	Elemento defectuoso en una o más baterías.	Sustituir la batería.
	Las baterías necesitan una revisión.	Consultar el apartado de MANTENIMIENTO DE LA BATERÍA.
	Cargador defectuoso.	Sustituir el cargador de la batería.
Recogida de agua insuficiente.	Depósito de recuperación lleno.	Vaciar el depósito de recuperación.
	Filtro del flotador de cierre del interior del depósito de recuperación bloqueado.	Extraer el filtro y limpiar.
	Escobilla de goma bloqueada.	Limpiar la escobilla de goma.
	Láminas de la escobilla de goma gastadas.	Sustituir las láminas de la escobilla de goma.
	Tornillos de orejas de la escobilla de goma sueltos.	Apretar los tornillos de orejas.
	Conexiones de la manguera de aspiración sueltas o la manguera está perforada.	Introducir bien la manguera de aspiración en sus conexiones. Sustituir la manguera si está dañada.
	Manguera de aspiración bloqueada.	Retirar los residuos bloqueados.

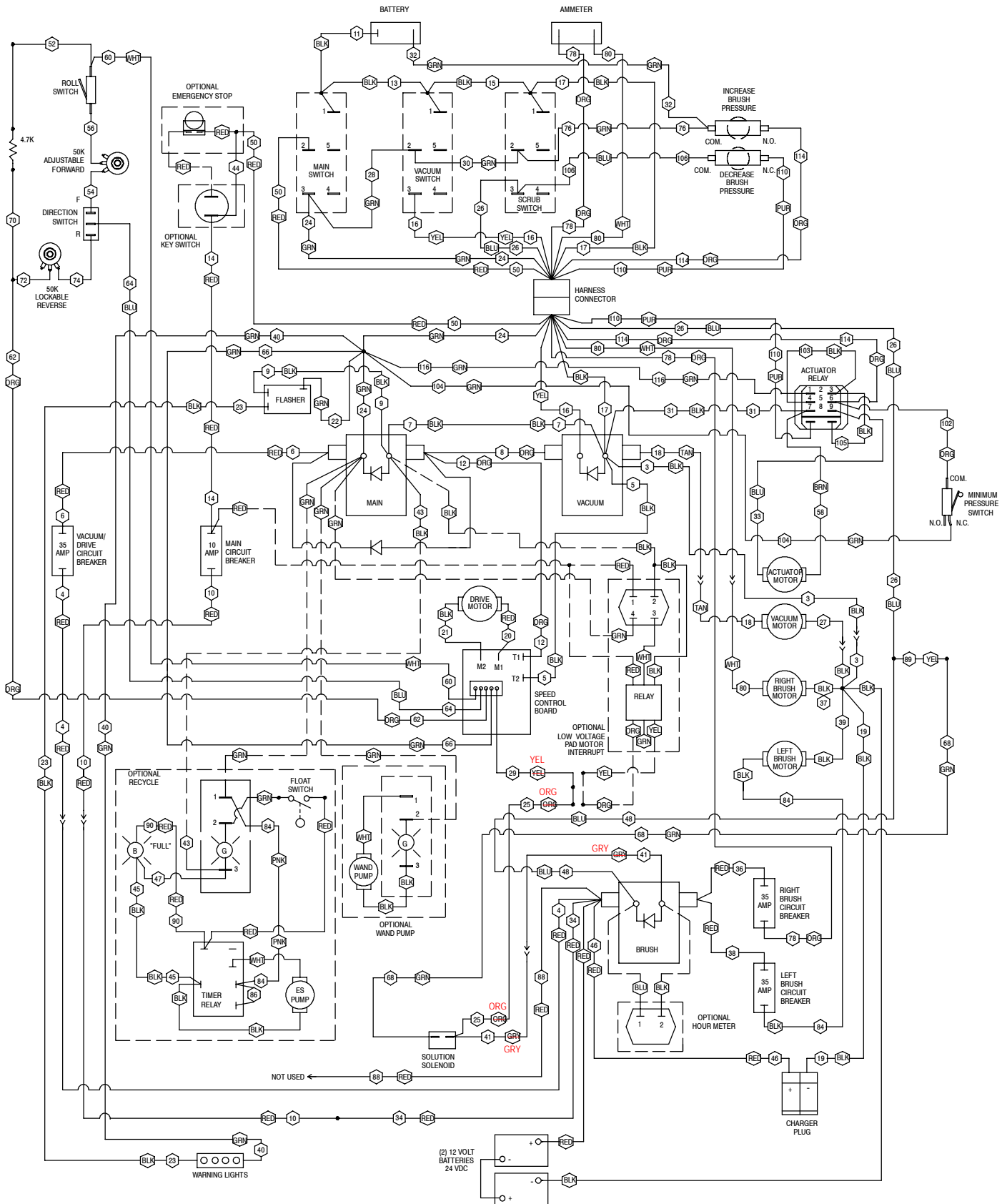
**LOCALIZACIÓN DE AVERÍAS - continuación**

Recogida de agua insuficiente- continuación.	Orificio de entrada del depósito de recuperación bloqueado.	Vaciar el depósito de recuperación y levantarlo lateralmente para poder acceder al orificio de entrada, retirar la obstrucción.
	Junta del depósito defectuosa.	Sustituir la junta.
	Tapón de la manguera de vaciado mal cerrado.	Cerrar bien el tapón de vaciado.
	Tapa del depósito de recuperación mal cerrada.	Cerrar la tapa.
	Motor de aspiración flojo.	Contactar con el Servicio Técnico.
	Nivel de carga de la batería bajo.	Cargar las baterías. No utilizar la máquina cuando la aguja indicadora del nivel de carga de la batería se encuentra en la zona roja.
Las luces de seguridad no funcionan.	Bombilla fundida.	Contactar con el Servicio Técnico.

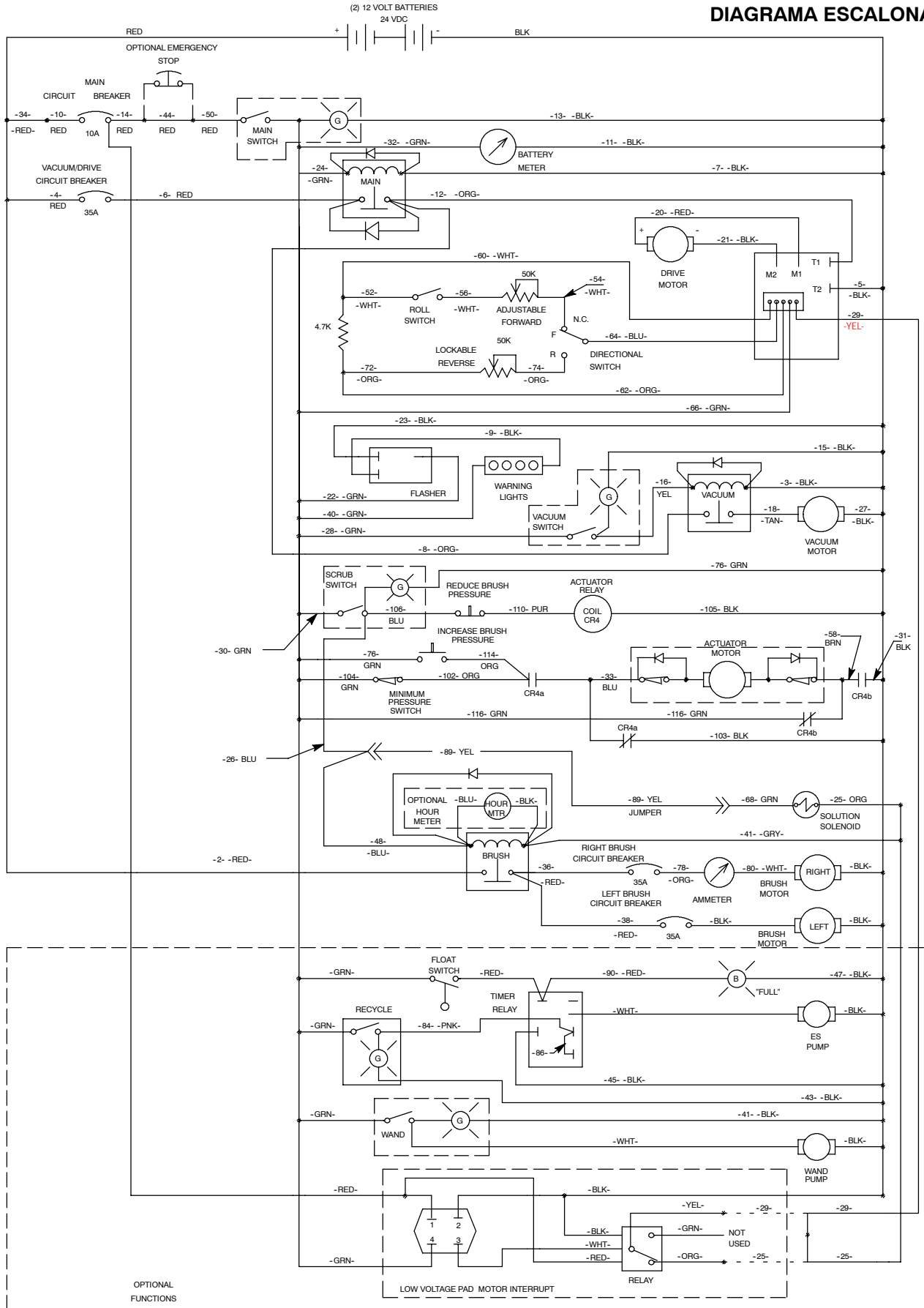
**ESPECIFICACIONES**

<b>MODELO</b>	<b>5500</b>	<b>5520</b>
LONGITUD	50 pulg / 1270 mm	50 pulg / 1270 mm
ANCHURA	26 pulg / 660 mm	28 pulg / 711 mm
ALTURA	39 pulg / 990 mm	39 pulg / 990 mm
PESO	375 lb / 170 kg 600 lb / 272 kg - c/ baterías	375 lb / 170 kg 600 lb / 272 kg - c/ baterías
CAPACIDAD DEL DEPÓSITO DE DIS./REC.	17 gal / 64 L	17 gal / 64 L
CONTROL DE LA VELOCIDAD	Hacia delante variable. / Fixed Rev./ Mar- cha atrás fija.	Hacia delante variable. / Fixed Rev./ Mar- cha atrás fija.
VELOCIDAD DE LIMPIEZA (MAX)	24,000 sq ft / 2229.6 m <sup>2</sup> por hora	26,000 sq ft / 2415.4 m <sup>2</sup> por hora
ANCHURA DEL CARRIL DE LIMPIEZA	23.123 pulg / 587 mm	25.13 pulg / 638 mm
DIÁMETRO DE LA ALMOHADILLA	2 - 12 pulg / 305 mm	2 - 13 pulg / 330 mm
PRESIÓN DE LA ALMOHADILLA	Variable 80-150 lb / 36-68 kg	Variable 80-150 lb / 36-68 kg
ANCHURA DE LA ESCOBILLA DE GOMA	33 pulg / 839 mm	33 pulg / 839 mm
SISTEMA DE IMPULSIÓN	Eje de transmisión, .2 c.v., 24V	Eje de transmisión, .2 c.v., 24V
MOTOR DEL CEPILLO	2 - .75 h.p., 220 rpm, 24V, 20A, 550W	2 - .75 h.p., 220 rpm, 24V, 20A, 550W
MOTOR DE ASPIRACIÓN	.75 c.v., 3-tiempos 5.7, 24V, 21A, 550W	.75 c.v., 3-tiempos 5.7, 24V, 21A, 550W
ELEVACIÓN DE AGUA	68 pulg / 1727 mm	68 pulg / 1727 mm
BATERÍAS	2-12V, 215AH	2-12V, 215AH
AUTONOMÍA POR CARGA	Hasta 4 3/4 horas	Hasta 4 3/4 horas
NIVEL DE RUIDO EN DECIBELIOS A LA ALTURA DEL OPERARIO EN RECINTO CERRADO CON SUELO DE BALDOSAS.	75 dBA	75 dBA

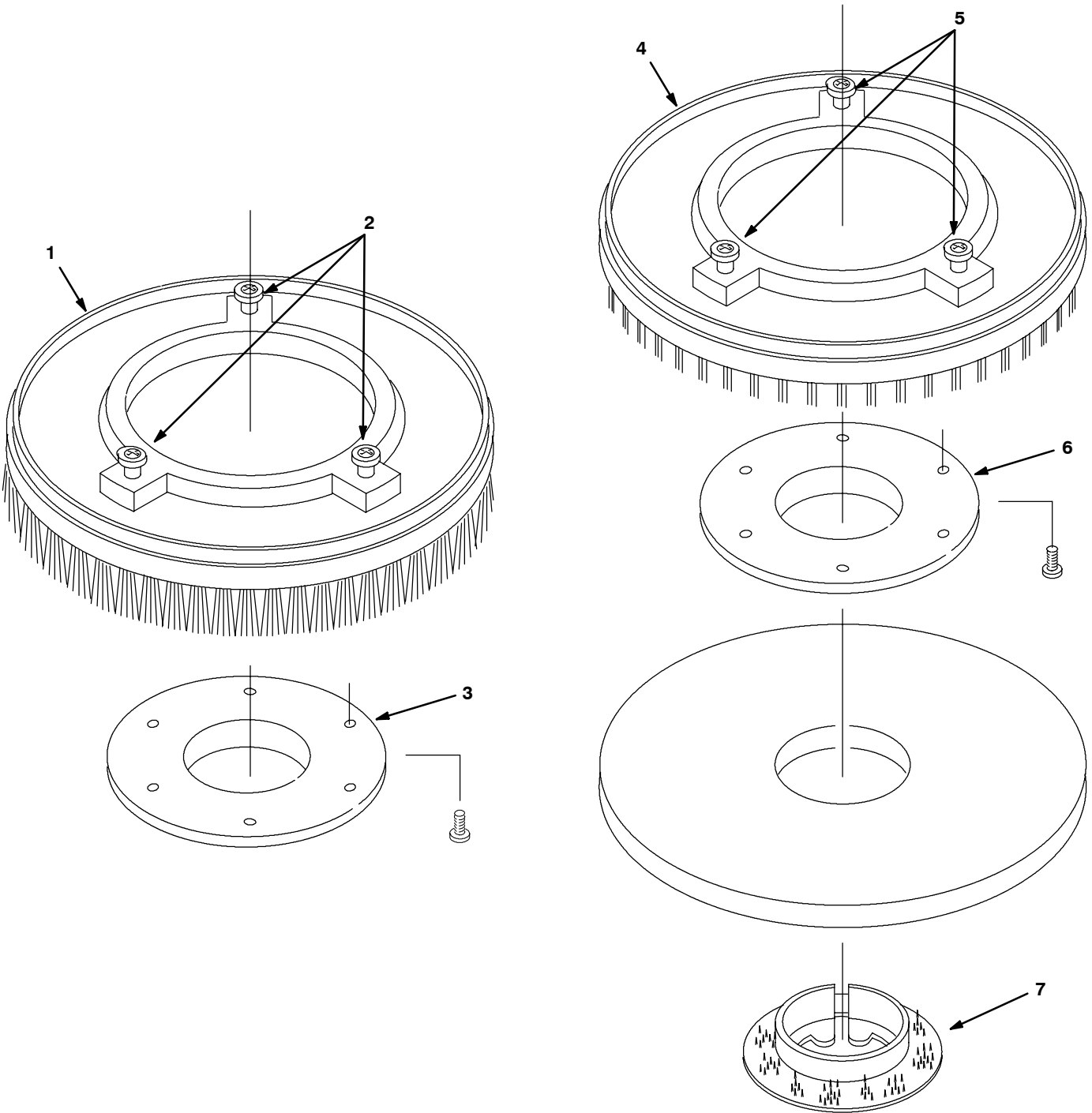
**WIRE DIAGRAM**  
**DIAGRAMA DE CABLEADO**



LADDER DIAGRAM  
DIAGRAMA ESCALONADO



REPLACEMENT BRUSHES AND PAD DRIVER GROUP  
CEPILLO DEL REEMPLAZO Y GRUPO DEL MANDO DE LA ALMOHADILLA



**REPLACEMENT BRUSHES AND PAD DRIVER GROUP**  
**CEPILLO DEL REEMPLAZO Y GRUPO DEL MANDO DE LA ALMOHADILLA**

REF	PART #	DESCRIPTION	QTY.
▽ 1	240260	●BRUSH, POLY-SCRUB 2/PK 12 IN / 305 MM	2
	603159	●BRUSH, POLY-SCRUB 2/PK 13 IN / 330 MM	2
	240261	●BRUSH, DYNA-SCRUB 2/PK 12 IN / 305 MM	2
	603160	●BRUSH, DYNA-SCRUB 2/PK 13 IN / 330 MM	2
	240259	●BRUSH, STRATA SCRUB/STRIP 2/PK 12 IN / 305 MM	2
	603161	●BRUSH, STRATA SCRUB/STRIP 2/PK 13 IN / 330 MM	2
▲ 2	240238	●LUGS, W/ SCREWS (SET OF 3)	6
▲ 3	100106	●PLATE, PAD DRIVER BASE	2

REF	PART #	DESCRIPTION	QTY.
▽ 4	240262	●ASM., PAD DRIVER 2/PK 12 IN / 305 MM	2
	602928	●ASM., PAD DRIVER 2/PK 13 IN / 330 MM	2
▲ 5	240238	●LUGS, W/SCREWS (SET OF 3)	6
▲ 6	100106	●PLATE, PAD DRIVER BASE	2
▲ 7	100107	●RING, PAD RETAINER SNAP-IN	2

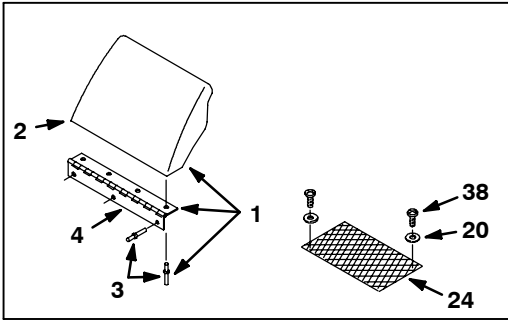
▽ ASSEMBLY / CONJUNTO

▲ INCLUDED IN ASSEMBLY / INCLUIDO EN EL CONJUNTO

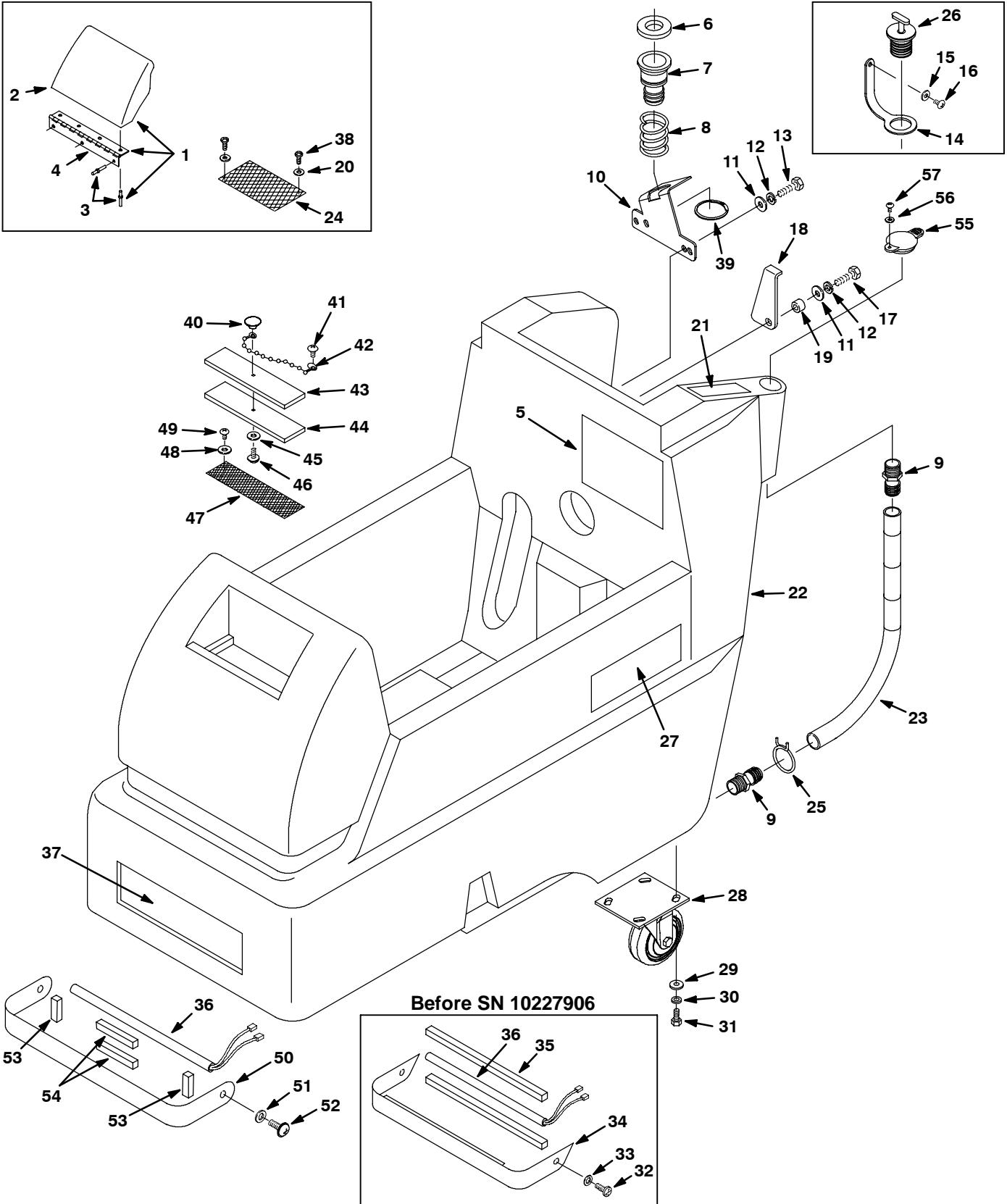
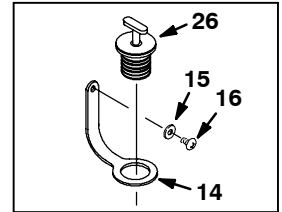
● RECOMMENDED STOCK ITEMS / ARTICULOS RECOMENDADOS PARA  
MANTENER EN EXISTENCIA

**SOLUTION TANK GROUP**  
**GRUPE DEL DEPÓSITO DE DISOLUCIÓN**

Before SN 10227906



Before SN 10183516



**SOLUTION TANK GROUP**  
**GRUPE DEL DEPÓSITO DE DISOLUCIÓN**

630002

REF	PART #	DESCRIPTION	QTY.
∇ 1	607982	ASM., SOL. TANK COVER, TEAL	1
∇ 1	701196	ASM., SOL. TANK COVER, GRAY	1
▲ 2	612519	COVER, TANK, TEAL	1
▲ 2	602712	COVER, TANK, GRAY	1
▲▲ 3	140706	RIVET, BLIND, .125D, PL	7
▲▲ 4	611068	HINGE, .09 PIN .04 1.06W 6.5L	1
5	603233	DECAL, BATTERY RECHARGE	1
6	630010	●GASKET, 70 OD, 43 ID, 12.7 THK	1
7	630011	TUBE, VAC TRANS, FLANGE AND BARB	1
8	630267	SPRING, CMPR, 59.9D 3.0W 50.8L	1
9	150529	FITTING, 3/4M X 3/4H BARB BRS	2
10	608706	BRACKET, VAC TUBE	1
11	140027	WASHER, FLAT, 0.35B 0.75D .04 SS	3
12	140015	WASHER, LOCK, SPLT, 0.31 SS	3
13	16931	SCREW, HEX, M8X1.25X20, 8.8	2
14	600476	●STRAP, PLUG, REAR FILL	1
15	140011	WASHER, 3/16 FLAT	1
16	140350	SCREW, #10X1/2 PANPHL	1
17	16931	SCREW, HEX, M8X1.25X20, 8.8	1
18	230925	SUPPORT, RECOVERY TANK	1
19	611418	SLEEVE, P/M 0.437D, 0.315B, 0.14L	1
20	140032	WASHER, #6 FLAT SS	2
21	600650	LABEL, CE, SQUEEGEE LEVER	1
22	1023714	KIT, TANK, SOLUTION, TEAL (Before SN 10227906)	1
	9001542	KIT, TANK, SOLUTION, GRAY (Before SN 10227906)	1
	1023350	TANK, SOLUTION, TEAL	1
	1025009	TANK, SOLUTION, GRAY	1
23	607983	HOSE, DRAIN W/LEVEL IND.	1
24	602529	●FILTER, SCREEN, SOLUTION FILL	1
25	608915	CLAMP, HOSE, WIRE 1.03-1.09	1
26	621324	●PLUG, EXPANSION	1
27	608118	LABEL, "5500"	2
	608119	LABEL, "5520"	2

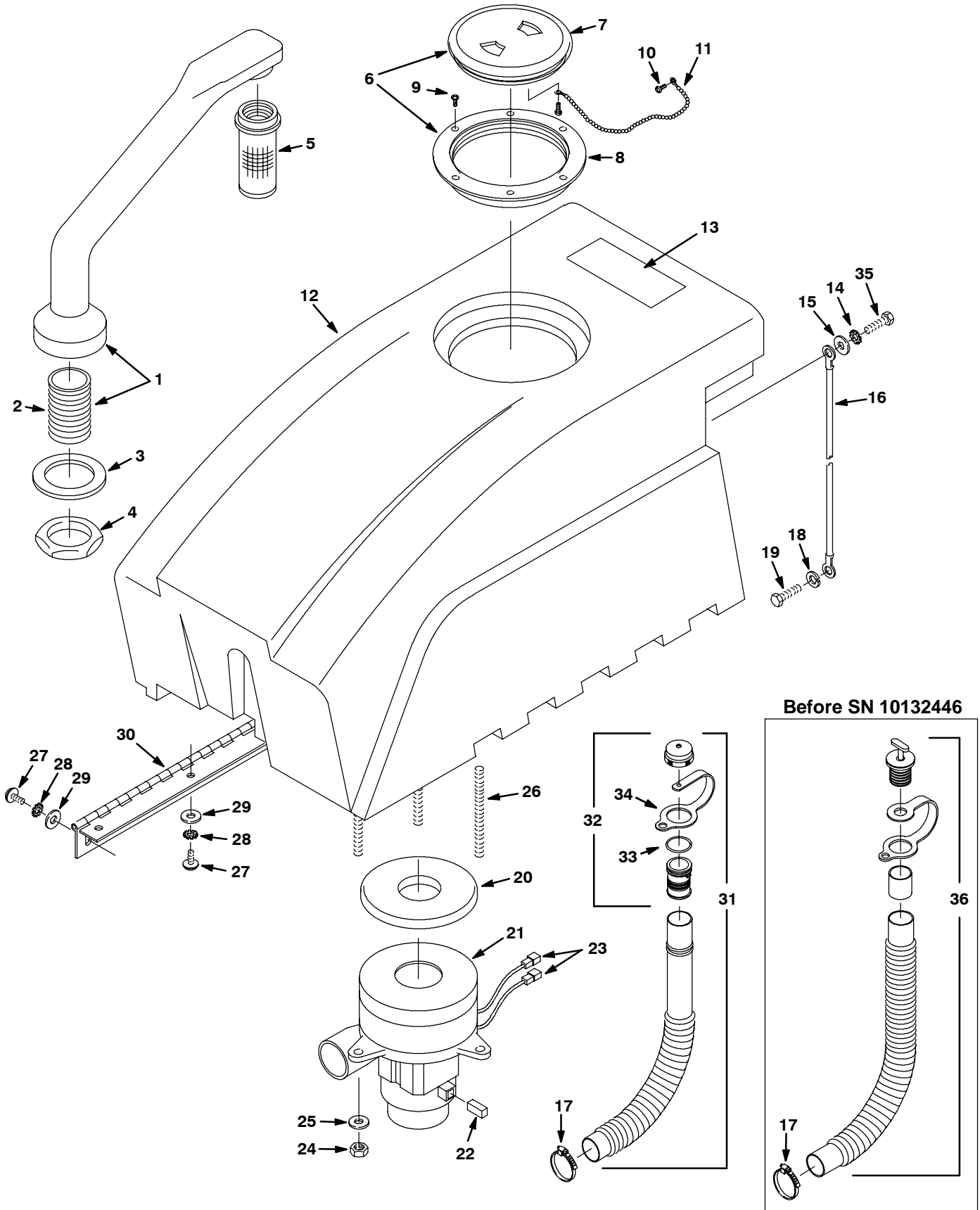
REF	PART #	DESCRIPTION	QTY.
28	<del>1029695</del>	●CASTER, 4.0D X 1.38W, 400LB CAP	2
29	140027	WASHER, FLAT, 0.35B 0.75D .04 SS	8
30	140015	WASHER, LOCK, SPLT, 0.31 SS	8
31	578237000	SCREW, HEX, M8X1.25X18 SS, 933	8
32	1026454	SCREW, PAN, M5X0.8X10 PHL, SS	2
33	07514	WASHER, LOCK, INT #10 SS	2
34	612765	SHIELD, LIGHT	1
35	605324	GASKET, 1/2"X1.34'	2
36	1024583	LIGHT, SAFETY, 24VDC, 12.0L	1
37	120192	DECAL, TENNANT LOGO	1
38	3701.6	SCREW, PAN, #6-32X0.38, PHL SS	2
39	630016	RING, RETAINING, EXT, 1.82D	1
40	578301	●KNOB, RND	1
41	140826	SCREW, PAN, #6-32X0.75, PHL SS	1
42	621443	●CHAIN, BALL, #10X157L, SS	1
43	605061	●COVER, SOLUTION FILL	1
44	605062	●GASKET, COVER, SOLUTION FILL	1
45	07514	WASHER, LOCK, INT, #10 SS	1
46	578201000	SCREW, PAN, #10-32X0.50, PHL	1
47	606146	●FILTER, SCREEN, SOL-FILL	1
48	140032	WASHER, #6 FLAT SS	2
49	140826	SCREW, PAN, #6-32X0.75, PHL SS	2
50	1020193	SHIELD, LIGHT	1
51	19324	WASHER, FLAT, #10 SAE	2
52	604930	SCREW, TRS, M5X0.8X10, PHL, ZN	2
53	605324	GASKET, CLSD CELL, .5	.125 FT.
54	605324	GASKET, CLSD CELL, .5	.250 FT.
55	1012965	●CAP, PORT, SOLUTION FILL	1
56	01683	WASHER, FLAT, #10 SS	1
57	1018155	SCREW, PAN, M4.8X16 SS TCUT	1

∇ ASSEMBLY / CONJUNTO

▲ INCLUDED IN ASSEMBLY / INCLUIDO EN EL CONJUNTO

● RECOMMENDED STOCK ITEMS / ARTICULOS RECOMENDADOS PARA MANTENER EN EXISTENCIA

**RECOVERY TANK GROUP**  
**CONJUNTO DEPOSITO RECUPERAR**



**RECOVERY TANK GROUP**  
**CONJUNTO DEPOSITO RECUPERAR**

REF	PART #	DESCRIPTION	QTY.
▽ 1	701103	ASM., STANDPIPE	1
▲ 2	606088	FITTING, CPVC, STR, 1-1/2" NIPPLE	1
3	101714	●GASKET, WASTE AIR CHAMBER	1
4	210240	NUT, HEX, FLNG, 1-1/2 FPT METAL	1
5	180613	●FLOAT, SHUT-OFF (1) BALL 2DIA	1
▽ 6	100102	●COVER ASSY CLEAR LID W/STANDARD HOLE	1
▲ 7	100105	●LID, CENTER ONLY CLEAR	1
▲ 8	100109	●LID, OUTER RING	1
9	140826	SCREW, PAN, #6-32X0.75, PHL SS	6
10	3701.6	SCREW, PAN, #6-32X0.38, PHL SS	2
11	230513	CHAIN ASSY, STOPPER, DRAIN	1
▽ 12	613723	ASM., REC TANK W/LABEL, TEAL	1
	9001597	ASM., REC TANK W/LABEL, GRAY	1
▲ 13	1026386	LABEL, WARNING, (EXPL,FIRE,SHK EN/FR/ES)	1
14	140052	WASHER, LOCK, EXT, 0.25 SS	1
15	140000	WASHER, FLAT, 0.28B .062D .04 SS	1
16	140960	●CABLE, .13D 14.5L .343EYE/.343EYE	1
17	140308	CLAMP, HOSE, WORMDRIVE, 1.31-2.25D, SS	1
18	140015	WASHER, LOCK, SPLT, 0.31 SS	1

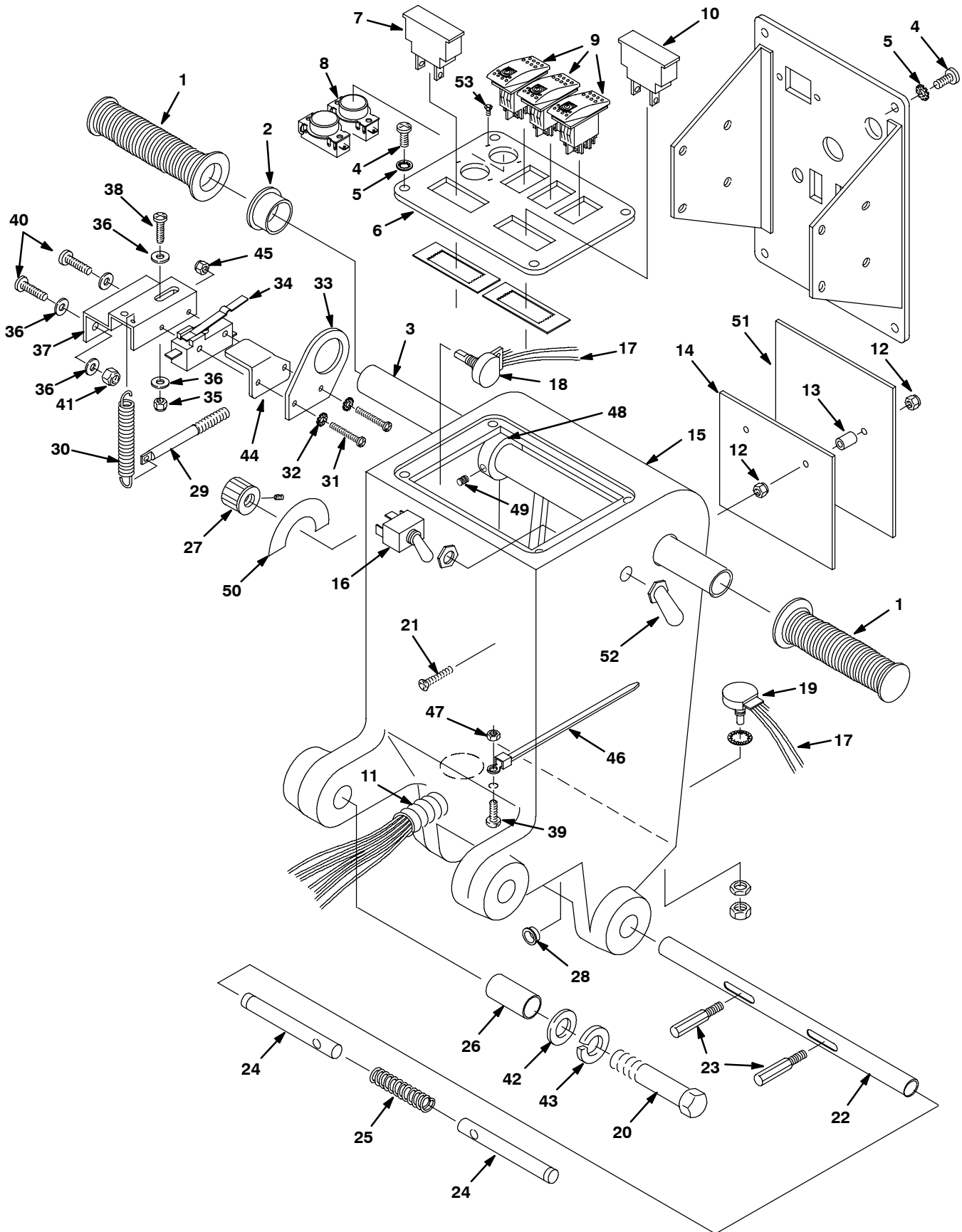
REF	PART #	DESCRIPTION	QTY.
19	16931	SCREW, HEX, M8X1.25X20, 8.8	1
20	626092	●GASKET, VAC FAN	1
▽ 21	130477	●FAN, VACUUM, 5.7D, 3S, 24V BPT	1
▲ 22	190163	●BRUSH CRBN, MOTOR, ELE, (1PC=1PACK=2BRSH)	2
23	130096	CONNECTOR ASSY, BLADE, MALE .25 1TRMNL	2
24	08712	NUT, HEX LOCK, M6X1.0 SS NL	3
25	140000	WASHER, FLAT, 0.28B .062D .04 SS	3
26	140353	SCREW, STUD, M6X1.0X108 ZN	3
27	363503	SCREW, PAN, M6X1.0X12 SS	11
28	140052	WASHER, LOCK, EXT, 0.25 SS	11
29	140000	WASHER, FLAT, 0.28B .062D .04 SS	11
30	600311	●HINGE, .25PIN .07 2.0W 26.0L	1
▽ 31	1010143	●HOSE, DRAIN ASSEMBLY, 31.2"	1
▲▽ 32	1008639	●CAP, DRAIN ASSEMBLY	1
▲ 33	1008637	●O RING, 1.48"ID, 1.76"OD	1
▲ 34	1019563	●STRAP, DRAIN CAP	1
35	363503	SCREW, PAN, M6X1.0X12 SS	1
36	N/A	DRAIN HOSE / PLUG ASSEMBLY - REPLACED BY ASSEM. ITEM #31	1

▽ ASSEMBLY / CONJUNTO

▲ INCLUDED IN ASSEMBLY / INCLUIDO EN EL CONJUNTO

● RECOMMENDED STOCK ITEMS / ARTICULOS RECOMENDADOS PARA  
MANTENER EN EXISTENCIA

CONSOLE GROUP  
CONJUNTO CONSOLA DE CONTROLES



**CONSOLE GROUP**  
**CONJUNTO CONSOLA DE CONTROLES**

REF	PART #	DESCRIPTION	QTY.
1	200823	●GRIP, HANDLE TUBE	2
2	605351	BUSHING, 7/8 10-BLACK	1
3	604402	TUBE, HANDLE	1
4	1026454	SCREW, PAN, M5X0.8X10 PHL, SS	8
5	07514	WASHER, LOCK, INT #10 SS	8
∇	613027	ASSY, PANEL, SWITCH	1
▲	613028	SWITCH PANEL	1
▲	606857	●GAUGE, AMMETER, RT, 5-36A (PRESSURE)	1
▲	1014919	●SWITCH, PUSH BUTTON	2
▲	601107	●SWITCH, ROCKER, 24VDC 15A LIGHTED	3
▲	606020AM	●GAUGE, DISCHARGE, BATTERY, 24VDC	1
▲	613387	HARNESS, WIRE MAIN/SWITCH/ CONSOLE	1
12	02850	NUT, HEX LOCK, M4X0.7 NL	4
13	630261	TUBE, 0.31D 0.19B 0.5L ALUM	2
14	630128	HEATSINK, 11GA. ALUM. 104X120	1
15	607556	HOUSING, CONTROL, TEAL	1
	602892	HOUSING, CONTROL, GRAY	1
16	601108AM	●SWITCH, TOGGLE	1
∇	602873	HARNESS CONSOLE W/POT.	1
▲	130776	●POTENTIOMETER, 50K	1
▲	130775	●POTENTIOMETER, 50K LOCKABLE	1
20	140351	SCREW, HEX, M12X1.75X70 ZN	2
21	630304	SCREW, FLT, M4X0.7X35 PHL, ZN	2
22	230715	TUBE, HANDLE ADJUSTMENT	1
23	230649	PIN, HANDLE ADJUSTMENT	2
24	230710	PIN, HANDLE LOCK	2
25	140415	SPRING, LOCK PIN	1

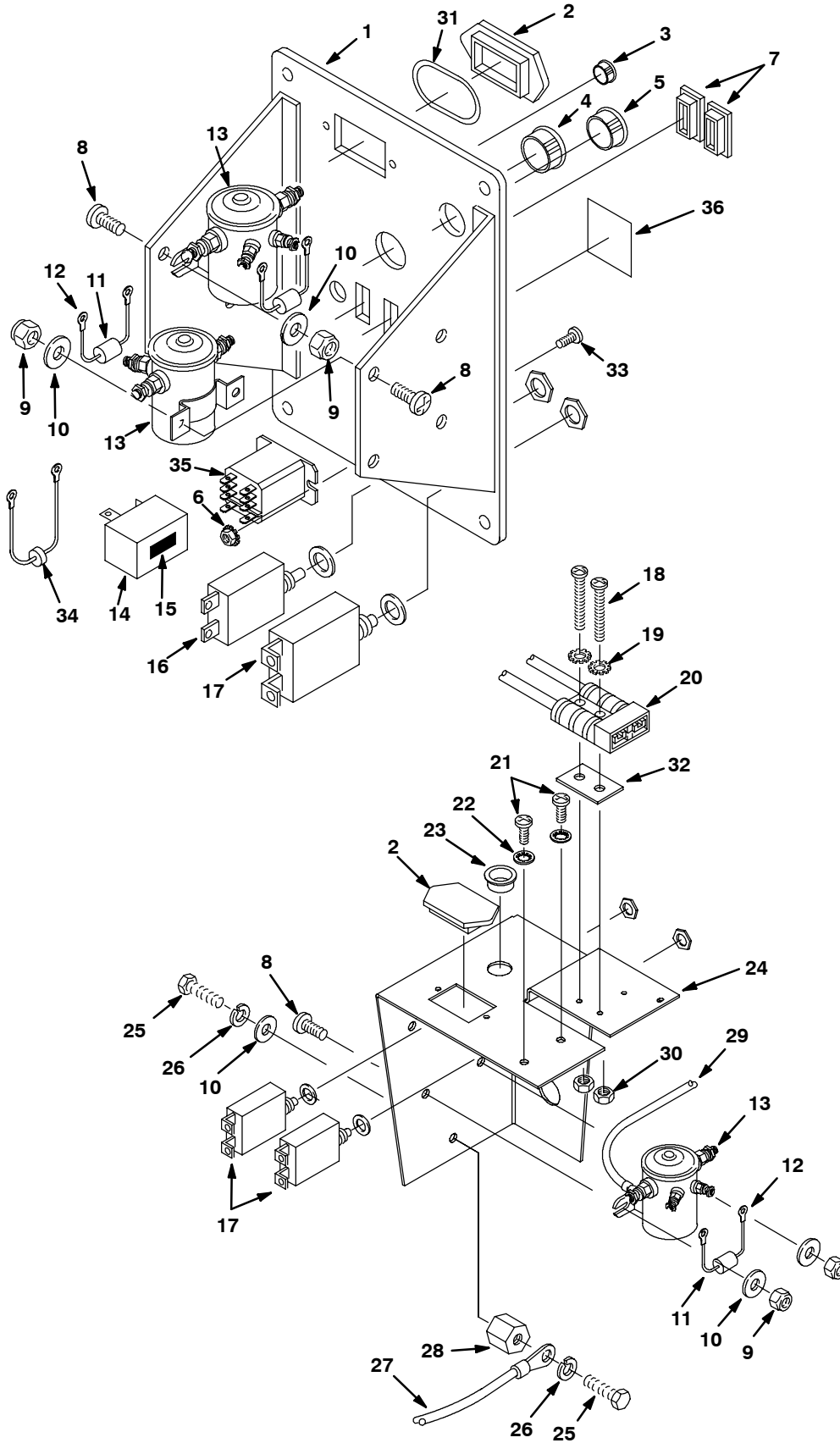
REF	PART #	DESCRIPTION	QTY.
26	140155	BUSHING, .48X.62X2.00	2
27	606550	●KNOB, RND, 0.92D 0.76L 0.25B	1
28	603007	BUSHING, SNAP .25ID BLACK	1
29	602886	PIN, SPRING, HANGER, .31-18X.94 THD, ZN	1
30	605812	SPRING, EXT.	1
31	140829	SCREW, PAN, #06-32X1.00 PHL SS	2
32	140019	WASHER, LOCK, EXT, #06 ZN	2
33	27098	BRACKET, SWITCH	1
34	614003	●SWITCH, SNAP ACTION W/ BUMP	1
35	140552	NUT, HEX LOCK, #10-24 NL SS	1
36	140000	WASHER, FLAT, 0.28B .062D .04 SS	6
37	25671	MOUNT, SWITCH	1
38	140890	SCREW, TRS, #10-24X0.50 PHL SS	1
39	140900	SCREW, TRS, #10-24X0.75 PHL SS	1
40	608322	SCREW, TRS, M6X1.0X16 PHL SS	2
41	08712	NUT, HEX LOCK, M6X1.0 SS NL	2
42	140045	WASHER, FLAT, 0.51B 1.25D .06 SS	2
43	140024	WASHER, LOCK 0.50 SS	2
44	603830	PLATE, SWITCH GUARD	1
45	140540	NUT, #6-32 HEX SS	2
46	630343	CLAMP, CABLE, STL, 0.88D X 0.50W 1H VYL	1
47	140552	NUT, HEX LOCK, #10-24 NL SS	1
48	605094	COLLAR, HANDLE	2
49	140859	SCREW, SET, .25-20X0.25 CUP PT	2
50	606549	LABEL, SPEED CONTROL	1
51	630104	●SPEED CONTROL, PMB 55 AMP	1
52	130753	●BOOT, SWITCH 1.00 LONG BLK	1
53	611226000	SCREW, TRS, #06-32X0.25	4

∇ ASSEMBLY / CONJUNTO

▲ INCLUDED IN ASSEMBLY / INCLUIDO EN EL CONJUNTO

● RECOMMENDED STOCK ITEMS / ARTICULOS RECOMENDADOS PARA MANTENER EN EXISTENCIA

ELECTRICAL GROUP  
GRUPO DEL ELÉCTRICO



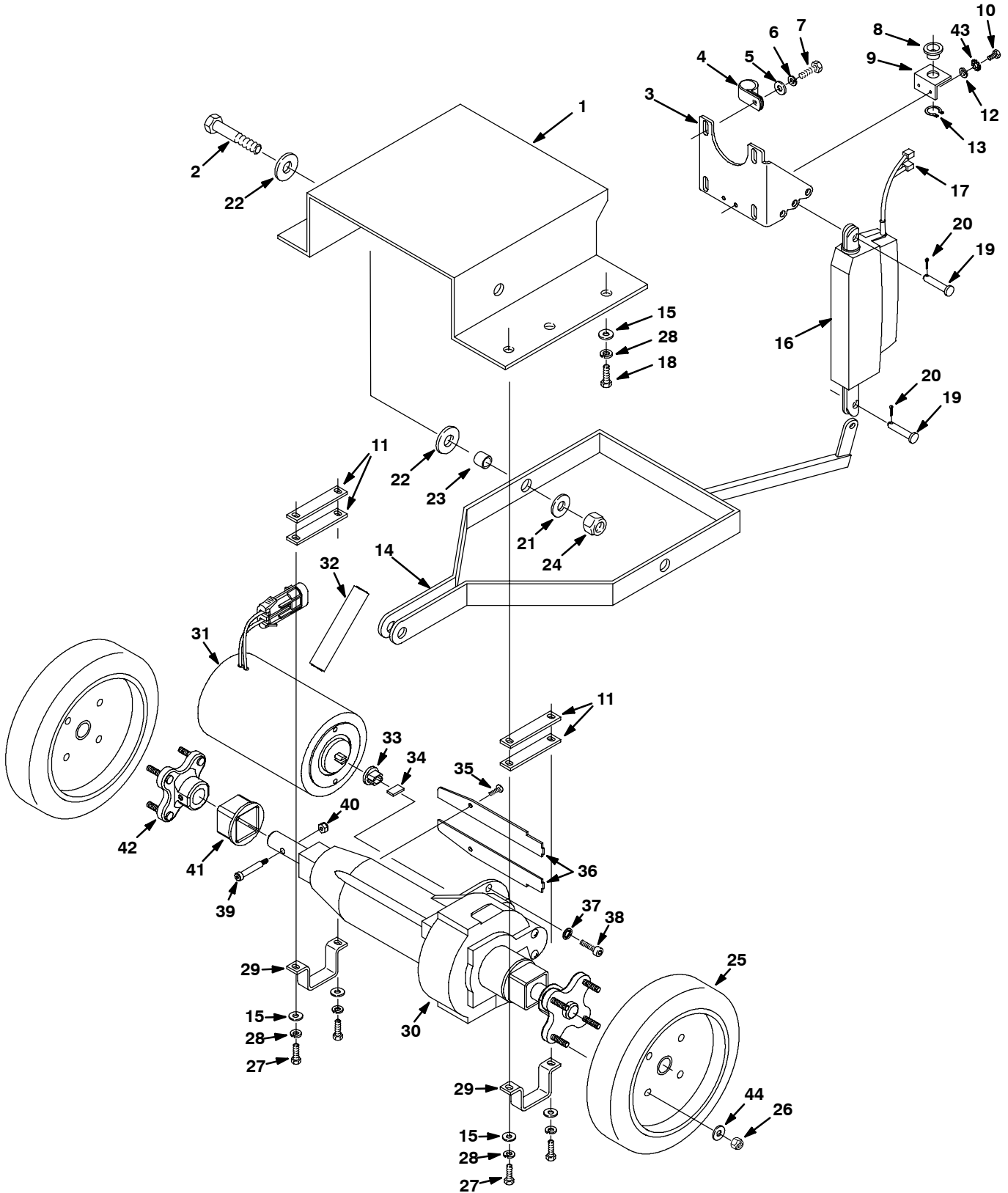
**ELECTRICAL GROUP  
GRUPO DEL ELÉCTRICO**

REF	PART #	DESCRIPTION	QTY.
1	613030	PANEL, HSNG, CNTRL	1
2	609969	●PLUG, HOURMETER	2
3	069764626	●PLUG, HOLE 012.7	1
4	130161	●PLUG, DOME, .875D, BLACK	1
5	130175	●PLUG, DOME, .750D, BLACK	1
6	140519	NUT, #10-24 KEP	2
7	582150	●BUTTON, PLUG, ACCESSORY SWITCH	2
8	608322	SCREW, TRS, M6X1.0X16 PHL SS	6
9	08712	NUT, HEX LOCK, M6X1.0 SS NL	6
10	140000	WASHER, FLAT, 0.28B .062D .04 SS	7
11	606404	●DIODE ASSY W/RING TERMINALS	3
12	281001009	TERMINAL, RING, #10 14-16	6
13	605905AM	●SOLENOID, 24VDC 125A 050 OHM	3
14	130021	●FLASHER, 24VDC	1
15	606243	TAPE, DOUBLE STICK 1" ACRYLIC	1
16	130737AM	●CIRCUITBREAKER, 10.0A	1
17	602951AM	●CIRCUITBREAKER, 35.0A	3
18	140829	SCREW, PAN, #06-32X1.00 PHL SS	2

REF	PART #	DESCRIPTION	QTY.
19	140019	WASHER, LOCK, EXT, #06 ZN	2
20	605387	●CONNECTOR, 50A RED W/O CONT	1
21	1026454	SCREW, PAN, M5X0.8X10 PHL, SS	2
22	07514	WASHER, LOCK, INT #10 SS	2
23	130698	BUSHING, SNAP .50ID BLACK	1
24	602887	BRACKET, CHR9 PLUG/CB/SOL	1
25	01696	SCREW, HEX, .25-20X0.50 SS	2
26	140016	WASHER, LOCK, 0.25 SS	2
27	602871	CABLE, BATTERY 6BLKX24" 1/4X5/16	1
28	76062	●INSULATOR, PANEL & SWITCHBOARD	1
29	602872	CABLE, BATT #6REDX28" 5/16X3/8	1
30	140539	NUT, HEX LOCK #06-32 KEP SS	2
31	605823	●SEAL, ORG .926 ID X .996 OD	1
32	603331	SPACER, CHARGER PLUG	1
33	140890	SCREW, #10-24X1/2 TRSPHL	2
34	604486	DIODE ASSY, SPLICED	1
35	1001219	●RELAY, 24VDC, DPDT	1
36	606105	LABEL, HZRD, DO NOT SPRAY	1

● RECOMMENDED STOCK ITEMS / ARTICULOS RECOMENDADOS PARA MANTENER EN EXISTENCIA

DRIVE GROUP  
GRUPO DE TRANSMISIÓN



**DRIVE GROUP**  
**GRUPO DE TRANSMISIÓN**

REF	PART #	DESCRIPTION	QTY.
1	600288	PLATE, BASE TRANSAXLE	1
2	36758	BOLT, SHLD, .50DX0.50, .38-16	2
3	1002936	BRACKET, ACTUATOR	1
4	140314	CLAMP, CABLE, STL, 0.75D X 0.75W 1H VYL	1
5	140027	WASHER, FLAT, 0.35B 0.75D .04 SS	4
6	140015	WASHER, LOCK, SPLT, 0.31 SS	4
7	16931	SCREW, HEX, M8X1.25X20, 8.8	4
8	1009363	BUSHING, CABLE	1
9	630157	BRACKET, CABLE GUIDE, 11GA ZP	1
10	200031432	SCREW, HEX, M6X1.0X10	2
11	612783	SPACER, AXLE	4
12	140000	WASHER, FLAT, 0.28B .062D .04 SS	2
13	621236	RING, RETAINING, .810 DIA	1
14	600290	BRACKET, LIFT DUAL MOTOR	1
15	140028	WASHER, FLAT, 0.42B 1.00D .05 SS	6
16	600952	●ACTUATOR 24VDC	1
17	281004001	TERMINAL, FEM .25 22-18GA FI RED	2
18	09291	SCREW, HEX, M10X1.5X20 SS	2
19	604076	PIN, M10DIA X28 CLEVIS ZN	2
20	578421	PIN, COTTER, .125D X 1.00L	2
21	140046	WASHER, .392 I.D.	2
22	140045	WASHER, FLAT, 0.51B 1.25D .06 SS	4
23	602882	SLEEVE, P/M, 0.625D 0.502B 0.31L STL PLT	2
24	59156	NUT, HEX LOCK .38-16 NL SS	2

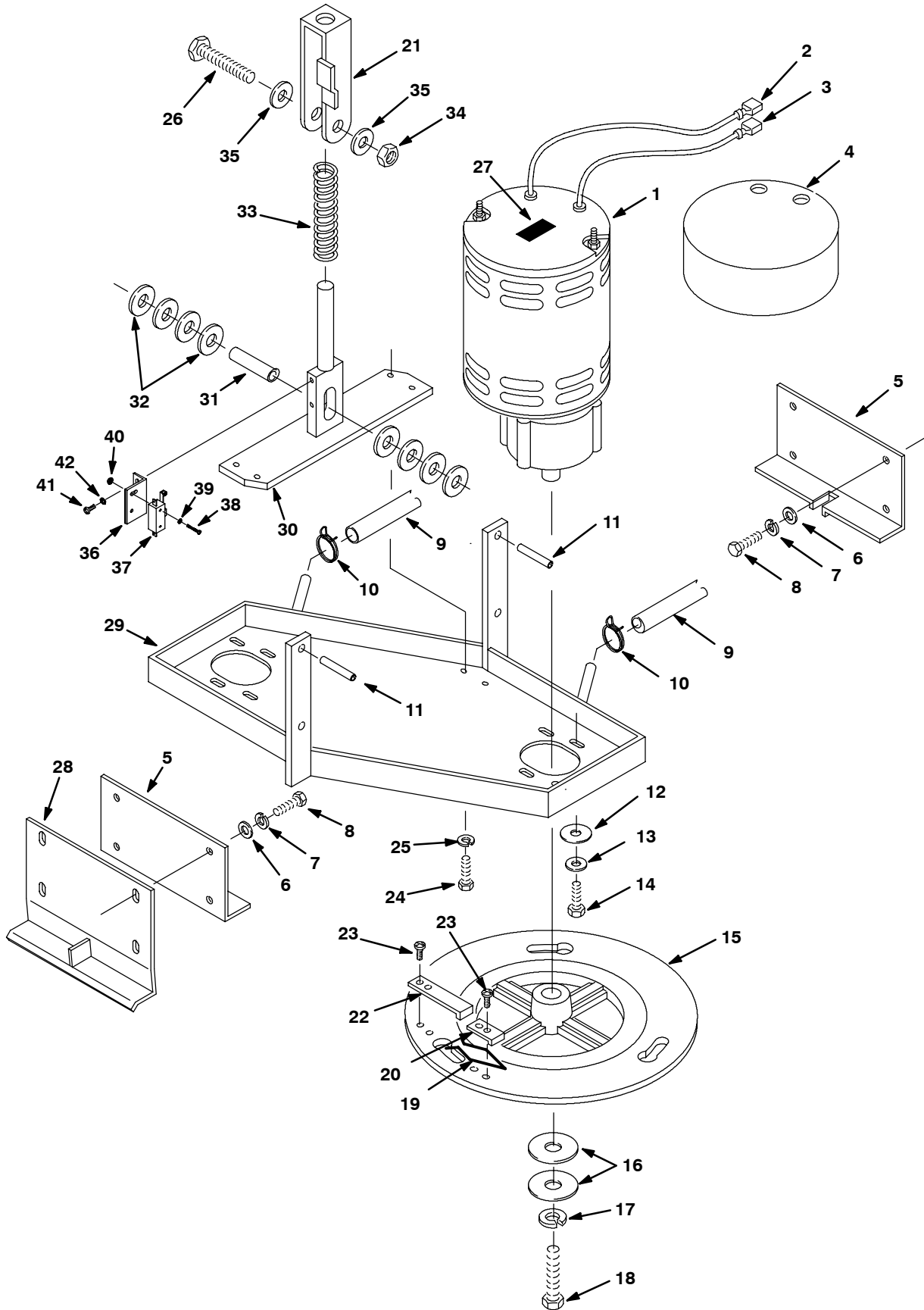
▽ ASSEMBLY / CONJUNTO

▲ INCLUDED IN ASSEMBLY / INCLUIDO EN EL CONJUNTO

● RECOMMENDED STOCK ITEMS / ARTICULOS RECOMENDADOS PARA MANTENER EN EXISTENCIA

REF	PART #	DESCRIPTION	QTY.
25	613026	●WHEEL, NEOPRENE, SOLID	2
	630215	●WHEEL, PNEUMATIC, AIR	2
	600352	●WHEEL, FOAM FILLED	2
	604357	●KIT, PNEUMATIC WHEEL, AIR	1
	604259	●KIT, WHEEL FOAM FILLED	1
26	41169	NUT, HEX LOCK, .25-20 NL SS	8
27	612255000	SCREW, HEX, M10X1.5X35 ZN	4
28	140333	WASHER, M10 SPLTLCK SS	6
29	612784	BRACKET, TRANSAXLE MTG	2
▽	1013312	TRANSAXLE, 24V MOTOR 116 RPM	1
▲ 30	612873	TRANSAXLE, REPLMT, BODY ONLY	1
▲ 31	614165	MOTOR, ELE, 24VDC TRANSAXLE REPLMT	1
▲ 32	614166	●KIT, BRUSH, CARBON QTY(4) (After SN 10169615- For Motor #614165)	1
	612883	●KIT, BRUSH, CARBON QTY(2) (Before SN 10169615 - For Motor #612877)	1
▲ 33	612874	COUPLING, TRANSAXLE REPLMT	1
▲ 34	612875	KEY, SPECIAL, TRANSAXLE REPLMT	1
▲ 35	577031000	SCREW, #8X1/2 PAN PHL ZN	2
▲ 36	N/A	COVER, SHAFT	2
▲ 37	32982	WASHER, LOCK, INT, 0.25	2
▲ 38	33951	SCREW, SOC, M6 X 1.0 X 20, 12.9	2
▲ 39	31249	BOLT, SHLD, .25DX1.25, #10-24	2
▲ 40	140552	NUT, HEX LOCK, #10-24 NL SS	2
▲ 41	612880	SLEEVE, TRANSAXLE REPLMT	2
▲ 42	612879	HUB, WHEEL TRANSAXLE REPLMT	2
43	140052	WASHER, LOCK, EXT, 0.25 SS	2
44	140000	WASHER, FLAT, 0.28B .062D .04 SS	8

BRUSH DRIVE GROUP  
CONJUNTO IMPULSO DE CEPILLO



**BRUSH DRIVE GROUP**  
**CONJUNTO IMPULSO DE CEPILLO**

222615

REF	PART #	DESCRIPTION	QTY.
∇ 1	130491	●MOTOR, ELE, 24VDC 0.75HP W/GEARBOX IMP	2
▲	630609	●GEARBOX ASSY	1
▲	190741	●ASM., BRUSH CARD	1
▲	<del>190970</del>	●BRUSH, CARBON, MOTOR, ELE	4
▲	140632	●KEY, .25X.25X1.00L (+.000/- .002)	1
X 2	130192	TERMINAL MAL .25 12-10 FI YW	1
X 3	130192	TERMINAL MAL .25 12-10 FI YW	1
4	100764	COVER, BRUSH MOTOR	2
5	600300	PLATE, GUIDE	2
6	140003	WASHER, 1/4X1 FNDR SS	8
7	140016	WASHER, LOCK, 0.25 SS	8
8	15678	SCREW, HEX, M6X1.0X16 SS	8
9	609470	HOSE, 0.38ID 0.62OD 9.0L	1
10	607775	CLAMP, HOSE, WIRE .63-.66 BLK	2
11	140618	PIN, ROLL .258D X 1.50L ZN	4
12	140028	WASHER, FLAT, 0.42B 1.00D .05 SS	8
13	140017	WASHER, LOCK, SPLT, 0.38 SS	8
14	69225	SCREW, HEX, .38-16X1.00 SS	8
15	606335	PLATE, DRIVE, MOLDED, NYLON	2
16	25732	WASHER, FLAT, 0.36B 1.25D .09 ZN	4
17	140015	WASHER, LOCK, SPLT, 0.31 SS	2
18	140219	SCREW, HEX, .31-18X1.00 SS	2
19	140417	●CLIP, SPRING	2

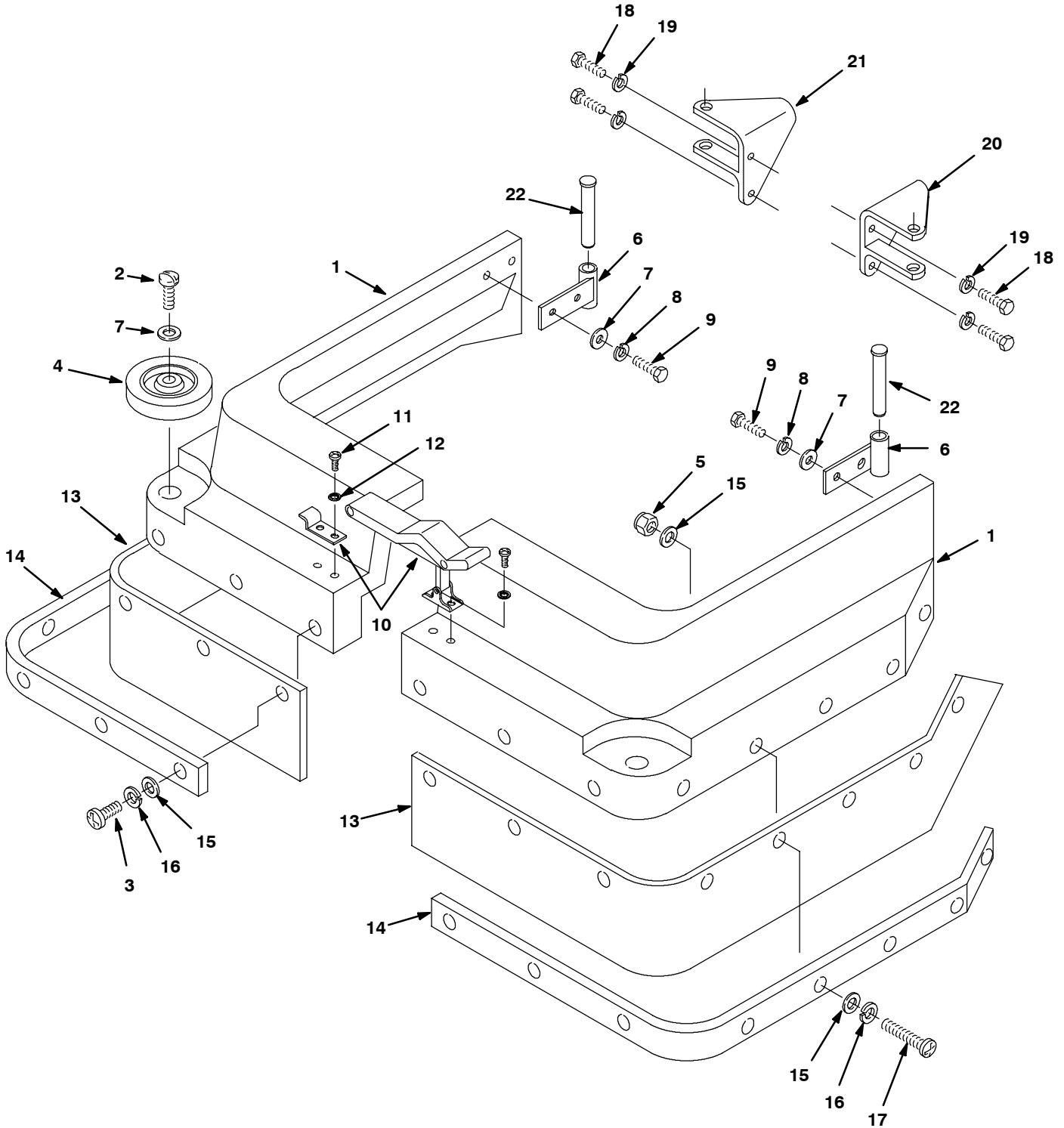
REF	PART #	DESCRIPTION	QTY.
20	230651	●CLAMP, BRUSH PLATE	2
21	1001148	BRACKET, SPRING	1
22	230697	●STOP, DRIVER RELEASE	2
23	606915	SCREW, HILO #10-16X0.38 SS	8
24	16931	SCREW, HEX, M8X1.25X20, 8.8	4
25	140015	WASHER, LOCK, SPLT, 0.31 SS	4
26	140225	SCREW, HEX .38-16X2.00 SS W/HL	1
27	606243	TAPE, ACRYLIC 1"X.25'	2
28	600299	LIP, FRONT SKIRT	1
29	600289	BRACKET, MOTOR MOUNT	1
30	613029	BRACKET, SPRING MOUNT	1
31	602930	SLEEVE, P/M, 0.622D 0.383B 1.50L	1
32	578298000	WASHER, .64X.87X.031 FLAT SS	8
33	602555	SPRING, BRUSH PRESSURE	1
34	36643	NUT, HEX, LOCK, .38-16, NL, THIN	1
35	140028	WASHER, FLAT, 0.42B 1.00D .05 SS	2
36	1000975	BRACKET, SWITCH, BRUSH	1
37	1020061	SWITCH, SNAP, 25A 125/250VAC	1
38	140829	SCREW, PAN, #06-32X1.00 PHL SS	2
39	140032	WASHER, #6 FLAT, SS	2
40	140539	NUT, HEX, LOCK, #06-32 KEP SS	2
41	1026454	SCREW, PAN, M5X0.8X10, PHL SS	2
42	07514	WASHER, LOCK, INT #10 SS	2

∇ ASSEMBLY / CONJUNTO

▲ INCLUDED IN ASSEMBLY / INCLUIDO EN EL CONJUNTO

● RECOMMENDED STOCK ITEMS / ARTICULOS RECOMENDADOS PARA MANTENER EN EXISTENCIA

BRUSH SKIRT GROUP  
CONJUNTO JUEGO DE CEPILLO



**BRUSH SKIRT GROUP**  
**CONJUNTO JUEGO DE CEPILLO**

REF	PART #	DESCRIPTION	QTY.
▽	609798	ASM., SKIRT OPERATOR LH TEAL (5500)	1
	609796	ASM., SKIRT OPERATOR LH TEAL (5520)	1
	602807	ASM., SKIRT OPERATOR LH GRAY (5500)	1
	602809	ASM., SKIRT OPERATOR LH GRAY (5520)	1
	609797	ASM., SKIRT OPERATOR RH TEAL (5500)	1
	609795	ASM., SKIRT OPERATOR RH TEAL (5520)	1
	602808	ASM., SKIRT OPERATOR RH GRAY (5500)	1
	602810	ASM., SKIRT OPERATOR RH GRAY (5520)	1
	▲ 1	607558	SKIRT, OPERATOR LH TEAL (5500)
607564		SKIRT, OPERATOR LH TEAL (5520)	1
602893		SKIRT, OPERATOR LH GRAY (5500)	1
602895		SKIRT, OPERATOR LH GRAY (5520)	1
607560		SKIRT, OPERATOR RH TEAL (5500)	1
607566		SKIRT, OPERATOR RH TEAL (5520)	1
602894		SKIRT, OPERATOR RH GRAY (5500)	1
602896		SKIRT, OPERATOR RH GRAY (5520)	1

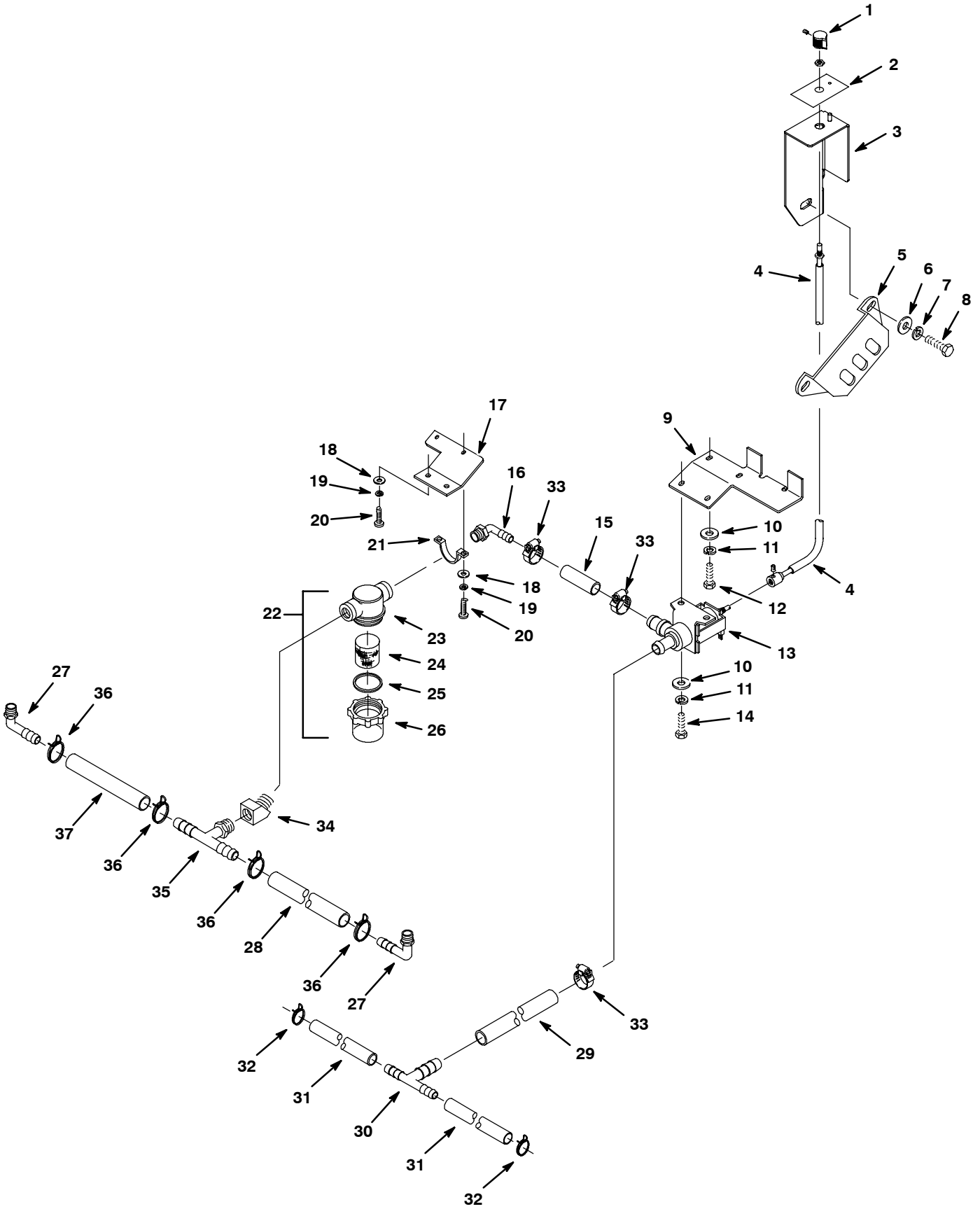
REF	PART #	DESCRIPTION	QTY.
▲ 2	603154	●SCREW, PAN, M8X1.25X40 PHL SS	2
▲ 3	578144000	SCREW, PAN, M5X0.8X16 PHL SS	10
▲ 4	1014918	●WHEEL, RBR, 3"X1" W/BUSHING	2
▲ 5	09739	NUT, HEX, LOCK, M5X0.8, NL, SS	6
▲ 6	600301	MOUNT, BRACKET, SKIRT	2
▲ 7	140027	WASHER, FLAT, 0.35B 0.75D .04 SS	6
▲ 8	140015	WASHER, LOCK, SPLT, 0.31 SS	4
▲ 9	578237000	SCREW, HEX, M8X1.25X18 SS, 933	4
▲ 10	49800	●LATCH, DRAW, SOFT RBR W/ KEEPER	1
▲ 11	200070340	SCREW, PAN, M4X0.7X8 PHL ZN	4
▲ 12	02938	WASHER, LOCK, INT. 08 SS	4
▲ 13	600295	●GUARD, SPLASH (5500)	2
		600294	●GUARD, SPLASH (5520)
▲ 14	600297	STRAP, SPLASH GUARD (5500)	2
		600296	STRAP, SPLASH GUARD (5520)
▲ 15	140011	WASHER, FLAT, 0.21B 0.45D .03 SS	22
▲ 16	07514	WASHER, LOCK, INT #10 SS	16
▲ 17	140293	SCREW, PAN, M5X0.8X30, PHL, SS	6
18	575029000	SCREW, PAN, M8X1.25X20 PHL, SS	4
19	140015	WASHER, LOCK, SPLT, 0.31 SS	4
20	607951	BRACKET, LH SKIRT	1
21	607952	BRACKET, RH SKIRT	1
22	230943	●PIN, SKIRT	2

▽ ASSEMBLY / CONJUNTO

▲ INCLUDED IN ASSEMBLY / INCLUIDO EN EL CONJUNTO

● RECOMMENDED STOCK ITEMS / ARTICULOS RECOMENDADOS PARA  
MANTENER EN EXISTENCIA

SOLUTION GROUP  
GRUPO DE SOLUCIÓN



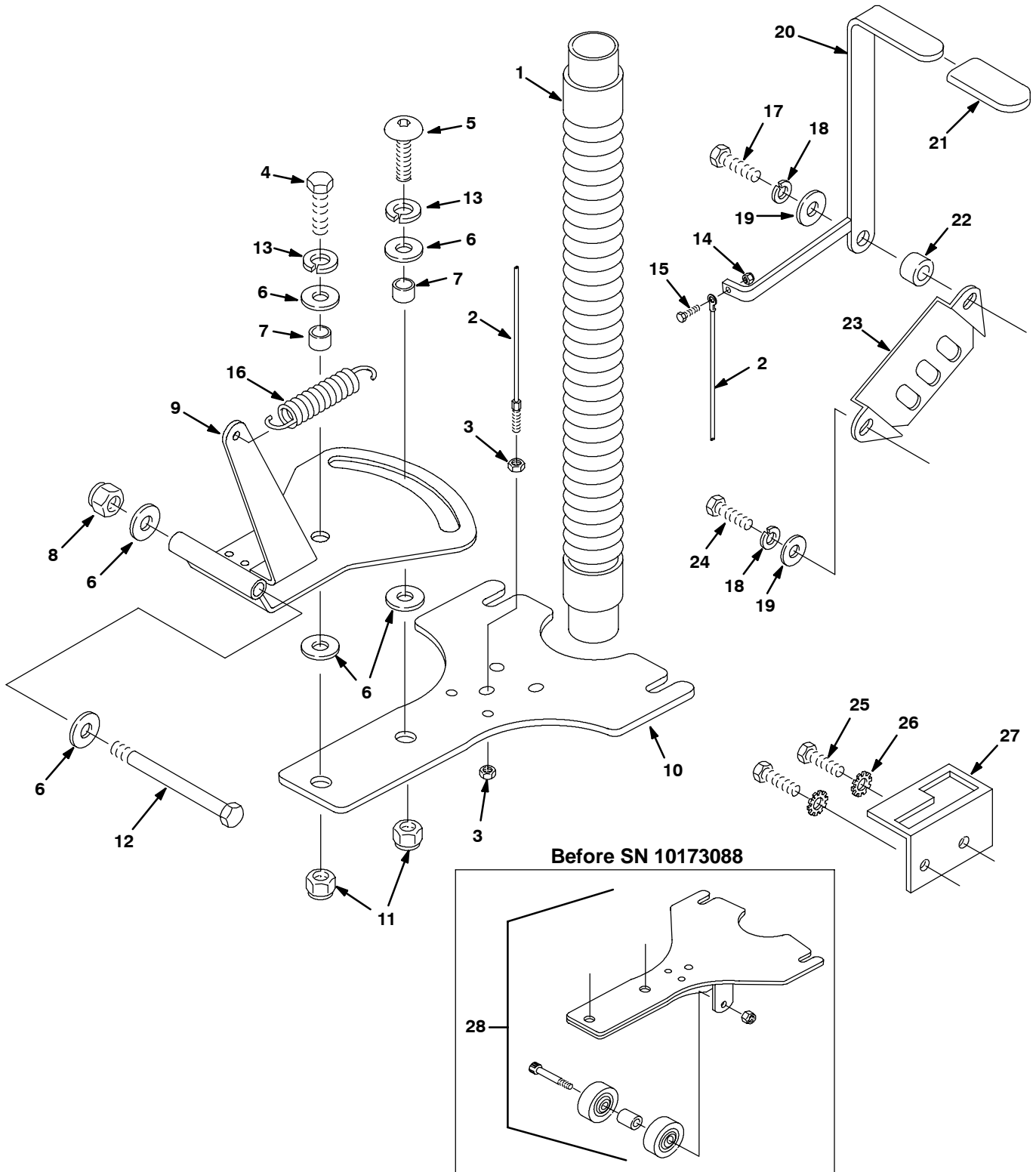
**SOLUTION GROUP**  
**GRUPO DE SOLUCIÓN**

REF	PART #	DESCRIPTION	QTY.
1	626121	KNOB, RND 0.72D 0.78L 0.25B, PLSTC	1
2	612039	DECAL, SOLUTION CONTROL	1
3	1002538	BRACKET, SOLUTION CONTROL	1
4	612497	CABLE, WATER FLOW CONTROL	1
5	230661	PLATE, LOCK CONTROL HOUSING	1
6	140027	WASHER, FLAT, 0.35B 0.75D .04 SS	2
7	140015	WASHER, LOCK, SPLT, 0.31 SS	2
8	16931	SCREW, HEX, M8X1.25X20, 8.8	2
9	611822	BRACKET, SOLENOID MOUNT	1
10	140000	WASHER, FLAT, 0.28B .062D .04 SS	4
11	140016	WASHER, LOCK, 0.25 SS	4
12	15678	SCREW, HEX, M6X1.0X16 SS	2
13	612498	●VALVE, LIQUID DISPENSING	1
	614265	●KIT, VALVE, WATER, REBUILD	1
14	200031432	SCREW, M6X1.0X10 HXHDCP	2
15	069760725	HOSE, 0.50ID, 0.75OD 3.0L	1
16	1017532	FITTING, PLSTC, E90, PM06/BM08	1

● RECOMMENDED STOCK ITEMS / ARTICULOS RECOMENDADOS PARA MANTENER EN EXISTENCIA

REF	PART #	DESCRIPTION	QTY.
17	611820	BRACKET, FILTER MOUNT	1
18	575541000	WASHER, M5.3X10X1 FLT, SS D125A	4
19	1026457	WASHER, M5 LOCK	4
20	609062	SCREW, M5X.8X12 TRSPHL	4
21	605056	BRACKET, FILTER MOUNT	1
▽ 22	1005302	●ASM., FILTER BOWL & SCREEN	1
▲ 23	613993	●HOUSING, TOP	1
▲ 24	1005304	●SCREEN, FLTR, 80 MESH	1
▲ 25	613992	●GASKET	1
▲ 26	613991	●BOWL, CLR, SHORT	1
27	1017532	FITTING, PLSTC, E90, PM06/BM08	2
28	578822000	HOSE, 0.50ID, 0.75OD 16.8L	1
29	578822000	HOSE, 0.50ID, 0.75OD 16.8L	1
30	1022556	FITTING, PLSTC, TEE, BM06/BM06/BM08	1
31	609470	HOSE, 0.38ID 0.62OD 9.0L	1
32	607775	CLAMP, HOSE, WIRE .63-.66 BLK	2
33	54333	CLAMP, HOSE, WORMDRIVE, 0.31-0.88D, .31W	3
34	01997	FITTING, BRS, E45, PM06/PF06	1
35	605046	FITTING, PLSTC, TEE, PM06/BM08/BM08	1
36	607776	CLAMP, HOSE, .73-.77, 2-WIRE	4
37	606241	HOSE, 0.50ID, 0.75OD 6.0L	1

SQUEEGEE CONTROL GROUP  
CONJUNTO DE PALETA PLANCAS



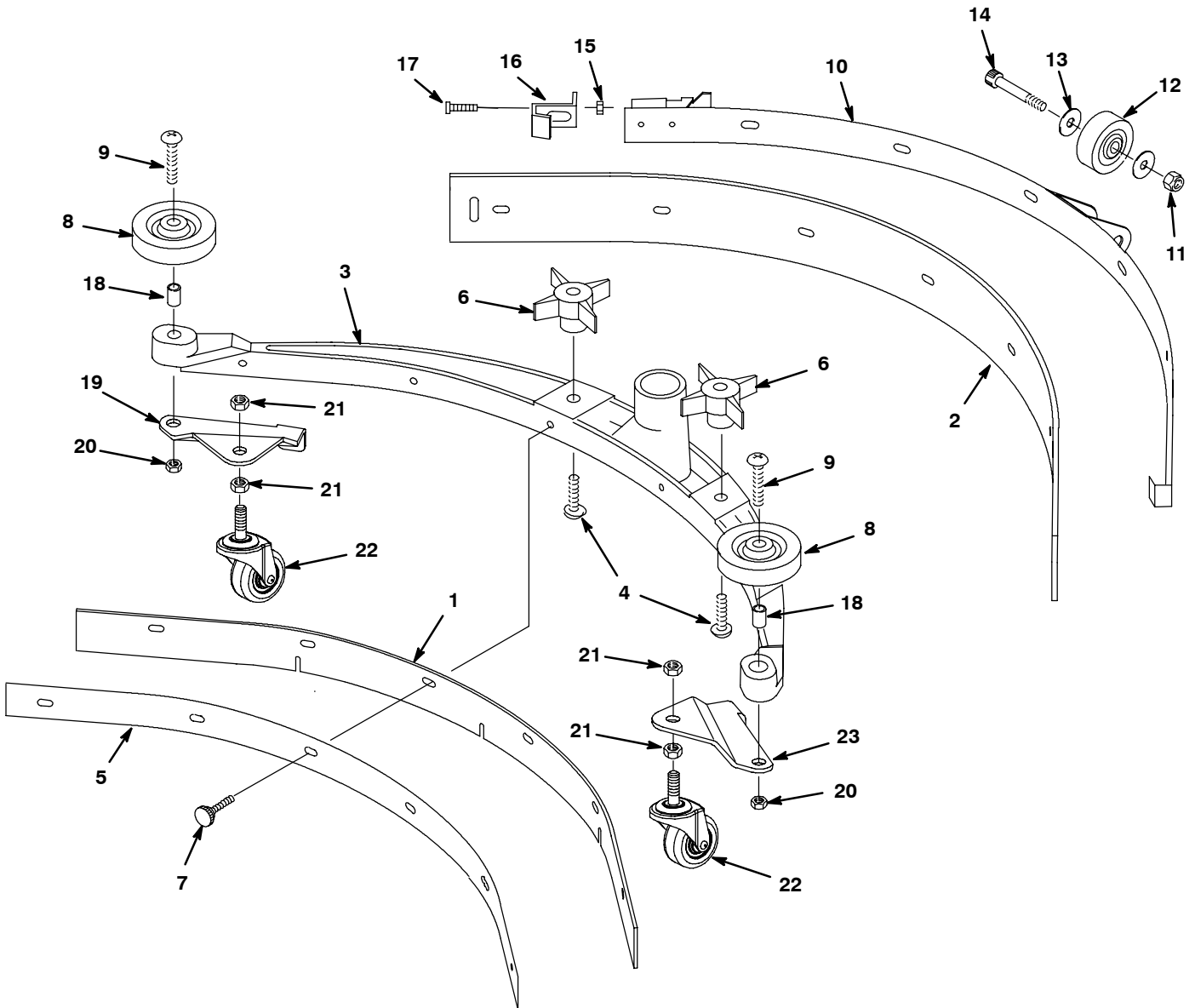
**SQUEEGEE CONTROL GROUP**  
**CONJUNTO DE PALETA PLANCAS**

REF	PART #	DESCRIPTION	QTY.
1	160613	●HOSE, VACUUM, 1.5DX30L, 2-CUFFS	1
2	1015636	●CABLE, SQUEEGEE LIFT	1
3	41169	NUT, HEX LOCK, .25-20 NL SS	2
4	140236	SCREW, HEX, .50-13X1.25 ZN	1
5	611480	SCREW, TRS, .50-13X1.25 PHL SS	1
6	140045	WASHER, FLAT, 0.51B 1.25D .06 SS	6
7	140139	SLEEVE, P/M, 0.625D 0.500B 0.25L STL PLT	2
8	02931	NUT, HEX LOCK .50-13 NL SS	1
9	1021179	PIVOT MOUNT, SQUEEGEE	1
10	1011342	BRACKET, SQUEEGEE MOUNT	1
11	140509	NUT, 1/2-13 HXJM SS	2
12	602981	SCREW, HEX, .50-13X5.50 ZN	1
13	140024	WASHER, LOCK 0.50 SS	2
14	08712	NUT, HEX LOCK, M6X1.0 SS NL	1

REF	PART #	DESCRIPTION	QTY.
15	15678	SCREW, HEX, M6X1.0X16 SS	1
16	611477	SPRING, SQUEEGEE	1
17	200031496	SCREW, M08X1.25X35	1
18	140015	WASHER, LOCK, SPLT, 0.31 SS	2
19	140027	WASHER, FLAT, 0.35B 0.75D .04 SS	2
20	602885	HANDLE, SQUEEGEE LIFT	1
21	200816	●GRIP, HANDLE .25 X 1 X 2.25	1
22	604358	SPACER BUSHING	1
23	230661	PLATE, LOCK CONTROL HOUSING	1
24	16931	SCREW, HEX, M8X1.25X20, 8.8	1
25	140268	SCREW, HEX, M5X0.8X12 SS	2
26	140031	WASHER, #10 EXT ZN	2
27	230712	PLATE, SQUEEGEE LOCK	1
28	N/A	BRACKET, SQUEEGEE MOUNT - REPLACED BY KIT NO. 614116	1

- RECOMMENDED STOCK ITEMS / ARTICULOS RECOMENDADOS PARA MANTENER EN EXISTENCIA

**SQUEEGEE ASSEMBLY GROUP - 33 in / 838 mm**  
**CONJUNTO PALETA**



**SQUEEGEE ASSEMBLY GROUP - 33 in / 838 mm**  
**CONJUNTO PALETA**

REF	PART #	DESCRIPTION	QTY.
∇	612025*	ASSEMBLY, SQUEEGEE, LINATEX	1
▲∇	606758	●KIT, SQUEEGEE BLADES, LINATEX	1
▲ 1	605030	●BLADE, FRONT SQUEEGEE, LINATEX (RED)	1
▲ 2	605029	●BLADE, REAR SQUEEGEE, LINATEX (RED)	1
∇	613036*	ASSEMBLY, SQUEEGEE, GUM RUBBER	1
▲∇	606757	●KIT, SQUEEGEE BLADES, GUM RUBBER	1
▲ 1	605028	●BLADE, FRONT SQUEEGEE, GUM RUBBER (TAN)	1
▲ 2	605027	●BLADE, REAR SQUEEGEE, GUM RUBBER (TAN)	1
∇	613043*	ASSEMBLY, SQUEEGEE, URETHANE	1
▲∇	606759	●KIT, SQUEEGEE BLADES, URETHANE	1
▲ 1	605032	●BLADE, FRONT SQUEEGEE, URETHANE (WHITE)	1
▲ 2	605031	●BLADE, REAR SQUEEGEE, URETHANE (WHITE)	1
▲ 3	611462	CASTING, SQUEEGEE	1
▲ 4	140799	SCREW, TRS, .31-18 X 1.50, PHL	2
▲ 5	605034	RETAINER, FRONT STRIP	1
▲ 6	370100	●KNOB, STAR, 2.80D 4EAR 1.1L .31-18 PLSTC	2
▲ 7	603012	●KNOB, RND, 19D, PLSTIC, M6X12 STUD	6

REF	PART #	DESCRIPTION	QTY.
▲ 8	1010560	●WHEEL, BMPR, 80D X 25W, NON-MARKING	2
▲ 9	611489	SCREW, TRS, .31-18 X 1.88, PHL	2
▲ 10	605033	SQUEEGEE, BAND ASM REAR	1
▲ 11	601108000	NUT, 5/16-18 HXLCK THIN NY	1
▲ 12	630477	●WHEEL, 2.0D 0.38W POLY GRAY	1
▲ 13	140028	WASHER, 3/8 FLAT	2
▲ 14	600187	SCREW, SHOULDER, 3/8 X 1 1/4	1
▲ 15	09739	NUT, M5X.8 NYLOCK	1
▲ 16	605069	CLIP, SQUEEGEE BAND	1
▲ 17	630389	SCREW, M5 7/8X45 PANPHL	1
▲ 18	222460	SLEEVE, P/M 0.496D 0.318B 0.50L 430SS	2
▲ 19	1010488	BRACKET, CASTER MTG, SWIVEL, RH <b>(After SN 10173088)</b>	1
▲ 20	140506	NUT, HEX, STD, .31-18, SS	2
▲ 21	39312	NUT, HEX, STD, M10 X 1.5 <b>(After SN 10173088)</b>	4
▲ 22	1006343	●CASTER, SWIVEL, 2.0 D 0.8W, M10 STEM <b>(After SN 10173088)</b>	2
▲ 23	1006347	BRACKET, CASTER MTG, SWIVEL, LH <b>(After SN 10173088)</b>	1

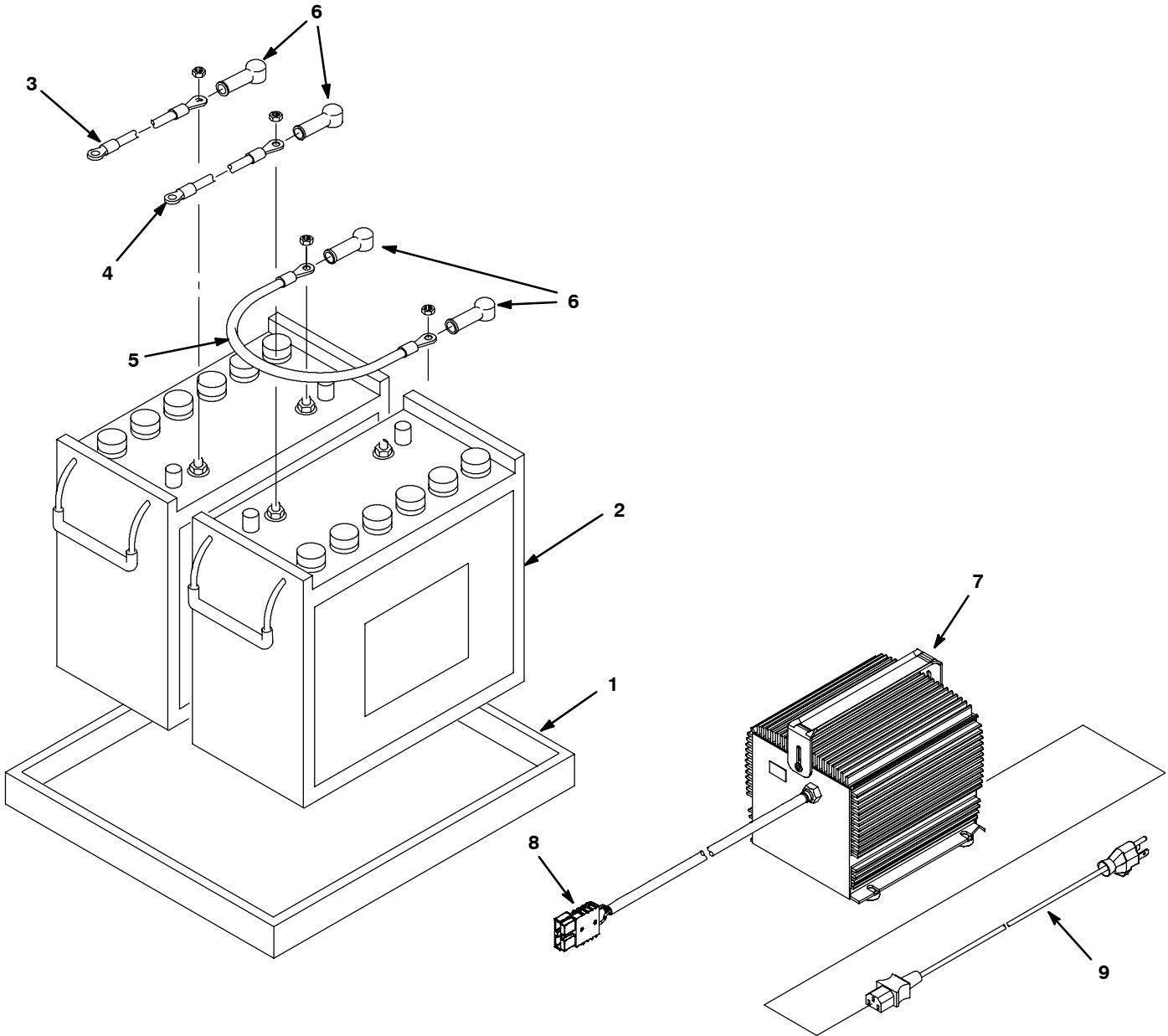
∇ ASSEMBLY / CONJUNTO

▲ INCLUDED IN ASSEMBLY / INCLUIDO EN EL CONJUNTO

● RECOMMENDED STOCK ITEMS / ARTICULOS RECOMENDADOS PARA MANTENER EN EXISTENCIA

\* NOTE: KIT # 614116 IS REQUIRED FOR MODEL BEFORE SN. 10173088.

**BATTERY GROUP**  
**GRUPO DEL BATERÍA**



REF	PART #	DESCRIPTION	QTY.
1	601991	TRAY, BATTERY	1
2	600394	BATTERY, 12VDC CCA 215AH DUAL POST	2
3	602871	CABLE, BATTERY 6BLKX24" 1/4X5/16	1
4	602872	CABLE, BATT #6REDX28" 5/16X3/8	1

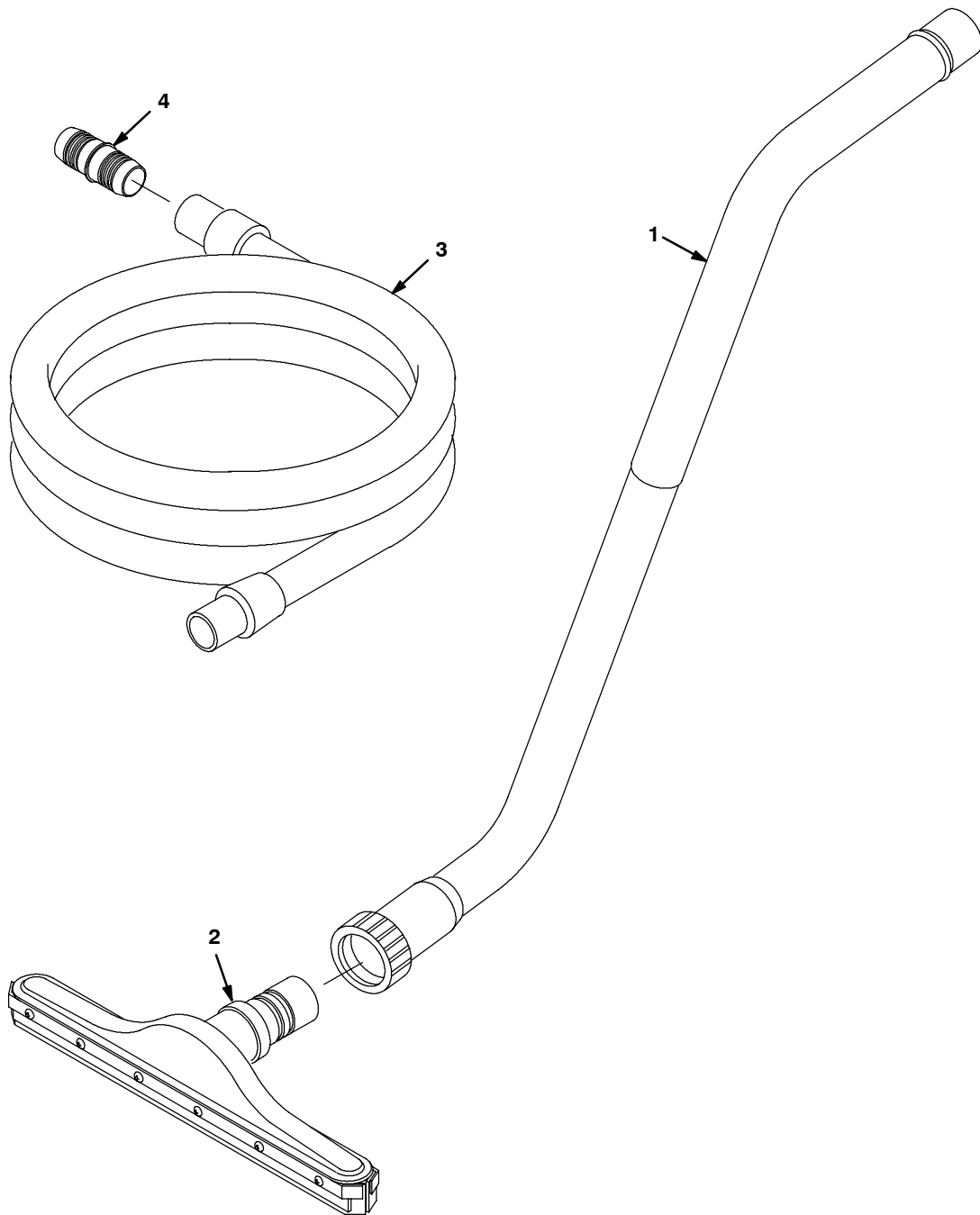
REF	PART #	DESCRIPTION	QTY.
5	130364	●CABLE, BATTERY 6X15 BLK 5/16X3/8	1
6	611221	BOOT, BATTERY CABLE, BLACK	4
▽ 7	1029256	CHARGER, 24VDC, 19A VAR VAC 1PH 50/60HZ	1
▲ 8	605387	CONNECTOR, 50A, RED	1
9	1017079	CORD, EXTN, 16GA/3, 10FT.	1

▽ ASSEMBLY / CONJUNTO

▲ INCLUDED IN ASSEMBLY / INCLUIDO EN EL CONJUNTO

● RECOMMENDED STOCK ITEMS / ARTICULOS RECOMENDADOS PARA MANTENER EN EXISTENCIA

**SQUEEGEE WAND ASSEMBLY  
GRUPE D'ASPIRATION ET RACLETTE À MAIN**



REF	PART #	DESCRIPTION	QTY.
▽	190928	●ASM, WAND DOUBLE BEND	1
▲ 1	6108.1	WAND, DOUBLE BEND	1
▲ 2	13840	SQUEEGEE ASM PUSH/PULL	1

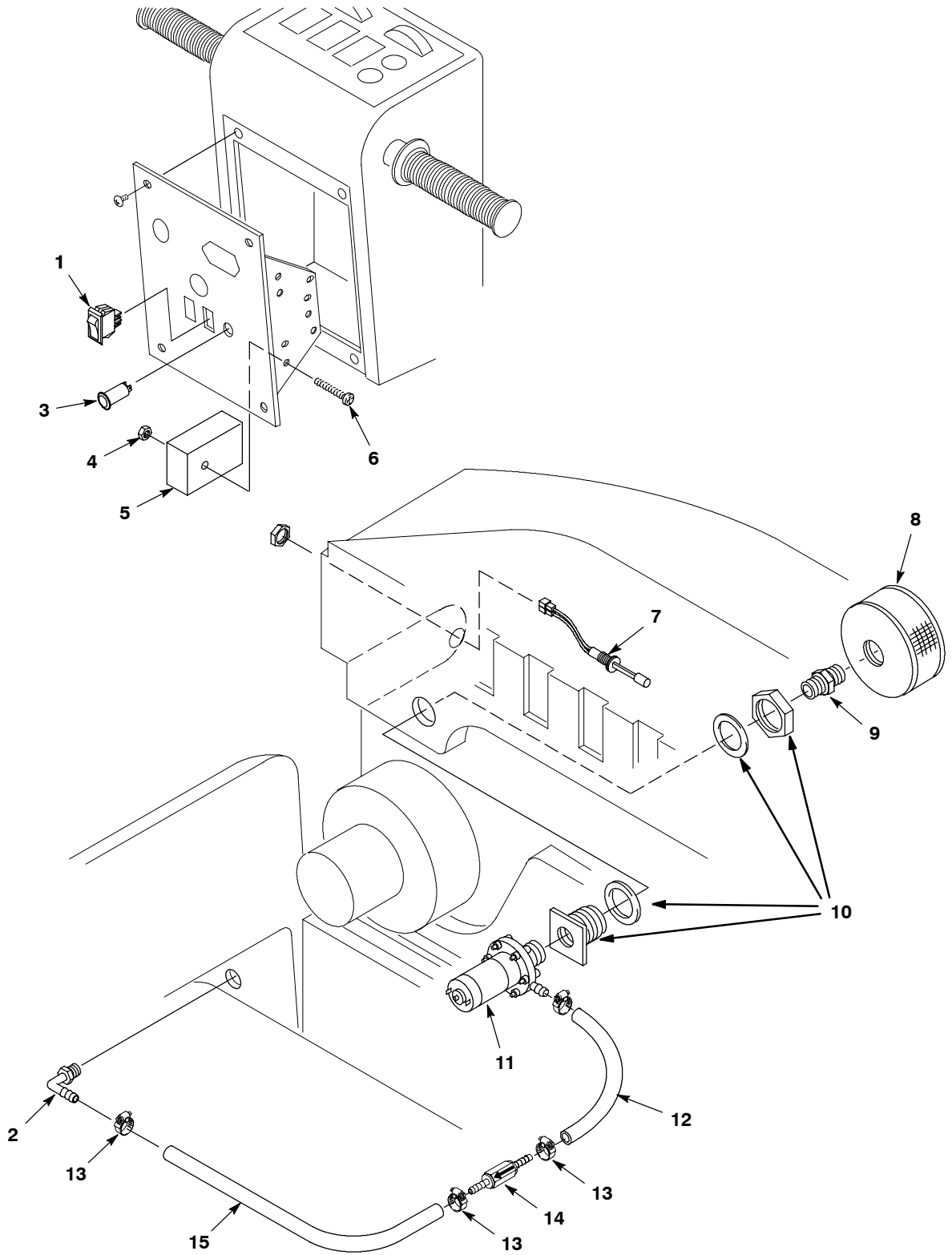
REF	PART #	DESCRIPTION	QTY.
▲ 3	160481	●HOSE, VAC 1-1/2X10'	1
▲ 4	160451	CONNECTOR, VAC HOSE	1

▽ ASSEMBLY / CONJUNTO

▲ INCLUDED IN ASSEMBLY / INCLUIDO EN EL CONJUNTO

● RECOMMENDED STOCK ITEMS / ARTICULOS RECOMENDADOS

ES (EXTENDED SCRUB) KIT  
ES (FREGADO PROLONGADO) JUEGO



**ES (EXTENDED SCRUB) KIT  
ES (FREGADO PROLONGADO) JUEGO**

REF	PART #	DESCRIPTION	QTY.
▽	604780	KIT, RECYCLE	1
▲ 1	630419	●SWITCH, ROCKER, 28VDC A SPST	1
▲ 2	150415	FITTING, PLSTC, E90, PM04/BM06	1
▲ 3	130738	●LIGHT, INDICATOR, VDC, GREEN	1
▲ 4	09739	NUT, HEX LOCK, M5X0.8, NL, SS	1
▲ 5	630145	●TIMER	1
▲ 6	578008000	SCREW, PAN, M5X0.8X30, PHL, ZN	1
▲ 7	603166	●SENSOR, LEVEL, LIQUID, 28VDC .28A	1
▲ 8	630138	●FILTER, SCREEN, 100 MESH	1
▲ 9	630385	FITTING, PLSTC, STR, PM12/PM12 01.5L	1

REF	PART #	DESCRIPTION	QTY.
▲ 10	601490	FITTING, PLSTC, STR, PM12, BH	1
▲ 11	630136	●PUMP, SOL 24VDC 3116"TERM 3/4"	1
▲ 12	607308	HOSE, 0.38ID 0.60OD 7.9L	1
▲ 13	54333	CLAMP, HOSE, WORMDRIVE, 0.31-0.88D, .31W	4
▲ 14	210044	●VALVE, CHECK, GPM 1PSI BM06/BM06	1
▲ 15	607103	HOSE, 0.38ID 0.60OD 15.0L	1
▲ N/S	604787	HARNESS, WIRE ES KIT	1
▲ N/S	630440	DECAL, "FILTER REMOVE"	1

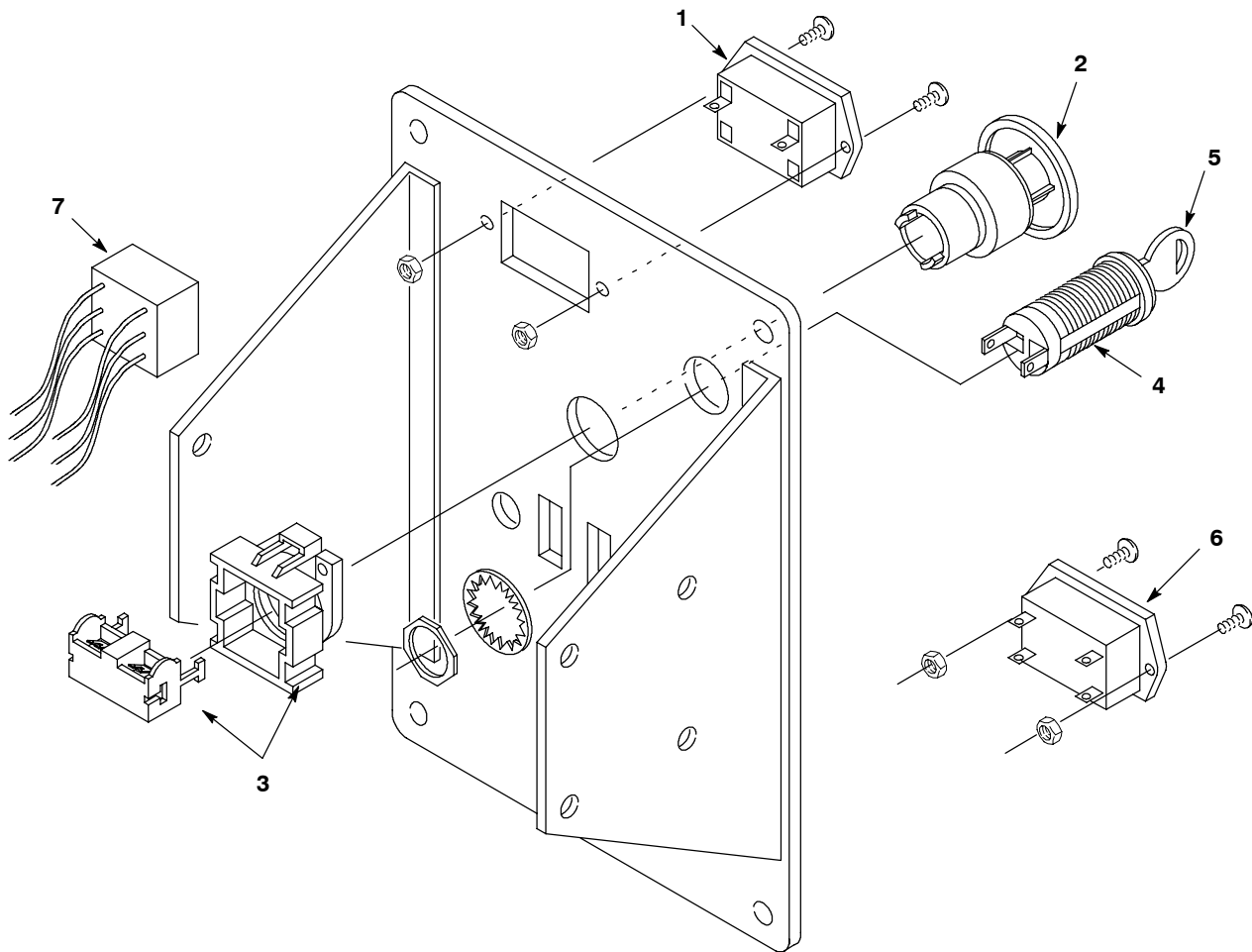
▽ ASSEMBLY / CONJUNTO

▲ INCLUDED IN ASSEMBLY / INCLUIDO EN EL CONJUNTO

● RECOMMENDED STOCK ITEMS / ARTICULOS RECOMENDADOS

N/S = NOT SHOWN

**HOUR METER, EMERGENCY STOP, KEYSWITCH AND LOW VOLTAGE KITS  
MEDIDOR DE HORA, BOTÓN DE EMERGENCIA, INTERRUPTOR DE LLAVE,  
HERRAMIENTAS DE BAJO VOLTAGE**



REF	PART #	DESCRIPTION	QTY.
▽	602999	●KIT, HOUR METER	1
▲ 1	1010555	●METER, HOUR	1
▲ N/S	603000	ASM., WIRE #18X5" BLU	1
▲ N/S	603004	ASM WIRE #18X5" BLK	1
▽	602995	●KIT, EMERGENCY STOP	1
▲ 2	630100	●SWITCH, EMERGENCY STOP BUTTON	1
▲ 3	630097	●SWITCH, CONTACT BLOCK	1
▲ N/S	602996	ASM, WIRE #16X5" RED 1/4FX1/4F	1
▲ N/S	602997	ASM, WIRE #16X5" RED 1/4MX1/4F	1

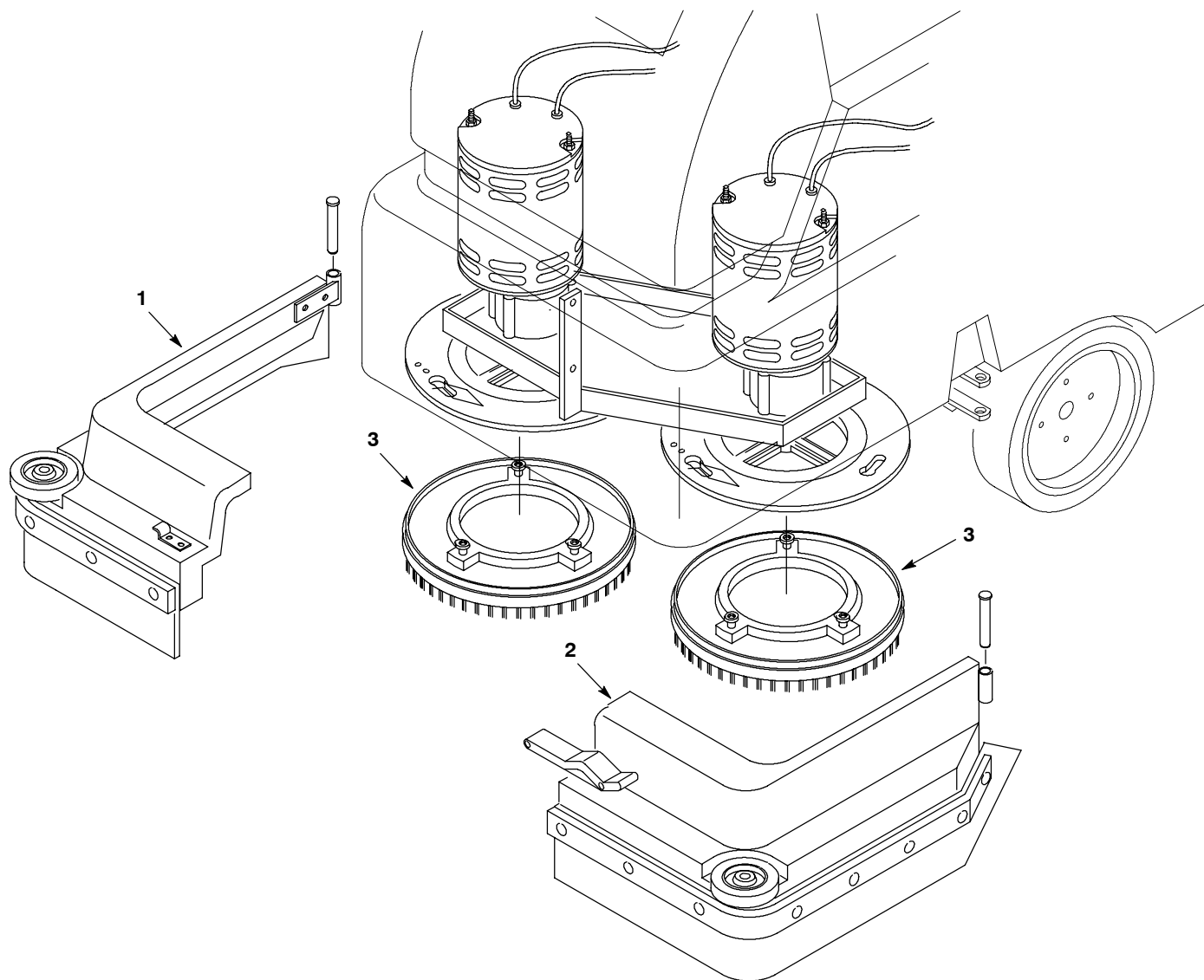
REF	PART #	DESCRIPTION	QTY.
▽	602993	●KIT, KEYSWITCH	1
▲▽ 4	612462	●SWITCH, KEY	1
▲ 5	607821	●KEY, REPLACEMENT	1
▽	603074	●KIT, LOW VOLTAGE CUTOFF	1
▲ 6	603076	●GAUGE, BATTERY 24V	1
▲ 7	603314	ASM., RELAY LOW VLTGE CUTOFF	1
▲ N/S	603078	ASM., WIRE #18X9" GRN	1
▲ N/S	603080	ASM., WIRE #18X8" BLK	1
▲ N/S	603081	ASM., WIRE #18X12" RED	1
▲ N/S	130040	WIRE TIE	1

▽ ASSEMBLY / CONJUNTO

▲ INCLUDED IN ASSEMBLY / INCLUIDO EN EL CONJUNTO

● RECOMMENDED STOCK ITEMS / ARTICULOS RECOMENDADOS PARA  
MANTENER EN EXISTENCIA

CONVERSION KIT  
JUEGO DE CONVERSIÓN



REF	PART #	DESCRIPTION	QTY.
▽	609794	●KIT, CONVERSION TO 24 IN. MODEL, TEAL	1
	609793	●KIT, CONVERSION TO 26 IN. MODEL, TEAL	1
▲ 1	609797	ASM., SKIRT OPERATOR RH TEAL (24 IN. MODEL)	1
	609795	ASM., SKIRT OPERATOR RH TEAL (26 IN. MODEL)	1
▲ 2	609798	ASM., SKIRT OPERATOR LH TEAL (24 IN. MODEL)	1
	609796	ASM., SKIRT OPERATOR LH TEAL (26 IN. MODEL)	1

REF	PART #	DESCRIPTION	QTY.
▲ 3	240262	●ASM., PAD DRIVER 2/PK 305MM / 12" (24 IN. MODEL)	2
	602928	●ASM., PAD DRIVER 2/PK 330MM / 13" (26 IN. MODEL)	2
▲N/S	603262	ASM., SQUEEGEE CURVED (24 IN. MODEL)	1
	603263	ASM., SQUEEGEE CURVED (26 IN. MODEL)	1
▲N/S	608118	DECAL, "5500"	2
	608119	DECAL, "5520"	2

▽ ASSEMBLY / CONJUNTO

▲ INCLUDED IN ASSEMBLY / INCLUIDO EN EL CONJUNTO

● RECOMMENDED STOCK ITEMS / ARTICULOS RECOMENDADOS PARA MANTENER EN EXISTENCIA