



Electronic Service Manuals

This electronic document is provided as a service to our customers. We do not create the contents of the information contained in this document. Should you have detailed questions pertaining to the information contained in this document, you may contact Michco, or the manufacturer which provided the original information in this electronic deliverable. Michco's only part in this electronic deliverable was the electronic assembly process. By providing this manual on line we are not guaranteeing parts availability.

You may contact Michco through the following methods:

Phone (517) 484-9312 or (800) 331-3339

2011 N. High St. -- Lansing, Michigan -- 48906

Fax: (517) 484-9836

Email: CustServe@Michco.com

Web site: www.Michco.Com

Parts Web site: www.FloorMachineParts.Com

Order Parts on Line at:

www.FloorMachineParts.Com

Directly to Parts & Service:

By Email: **Shop@Michco.com**

By Fax: (517) 702-2041

By Voice: Use numbers above.

Serving the Cleaning Industry Since 1922

Notice: All copyrighted material remains property of original owners, all trademarks are property of respective owners. Manuals are subject to Manufacturer's reproduction limitations. Originals or reproductions were provided by manufacturers through a request. We make no warranty as to the correctness of information provided in this document and you assume all risk. By placing these manuals on line we are not declaring our corporation to be an manufacturer authorized dealer or provider, please check our web site for authorized manufacturers we represent.



5500/5520

Automatic Scrubber
Fregadora Automática

Model No.:

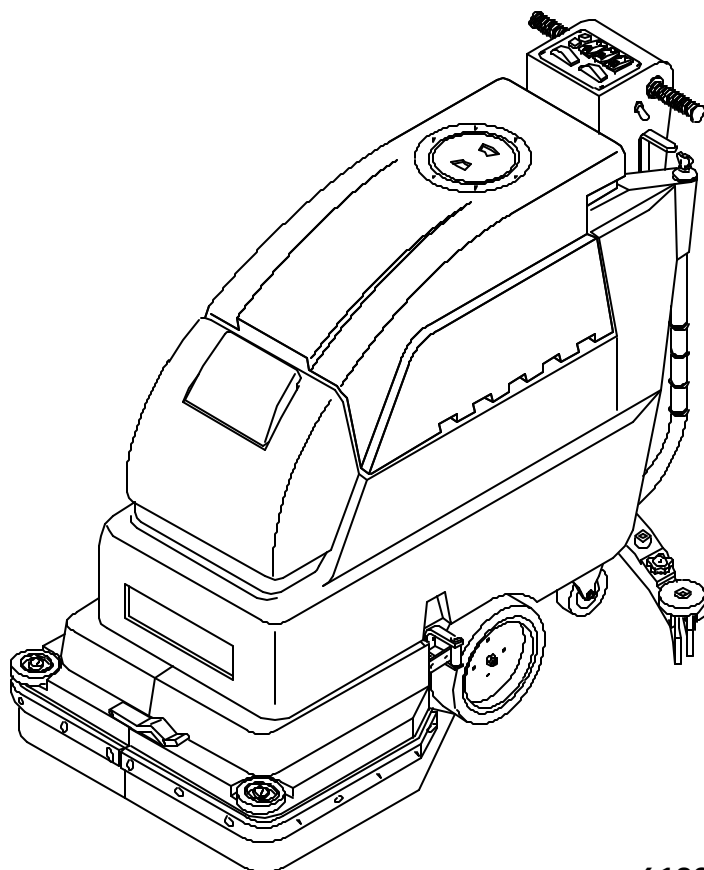
613041 - 5500

613162 - 5500 Quick Ship Pac

613042 - 5520

613163 - 5520 Quick Ship Pac

**Operator and Parts Manual
Manual del Operador y Piezas**



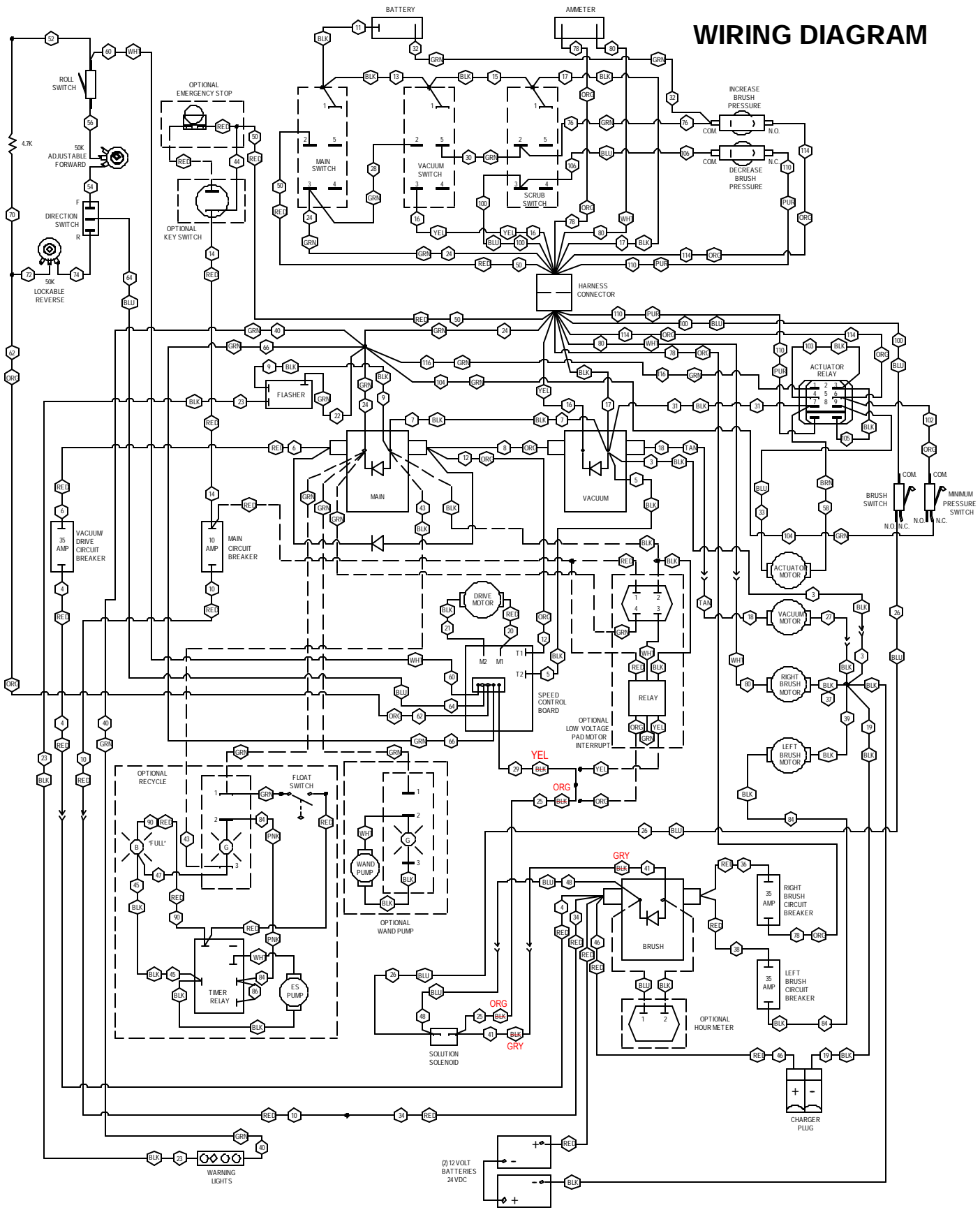
TENNANT COMPANY
Commercial Products
12875 RANSOM STREET
HOLLAND MI 49424 U.S.A.

CUSTOMER SERVICE:
1-800-982-7658
1-616-786-2330

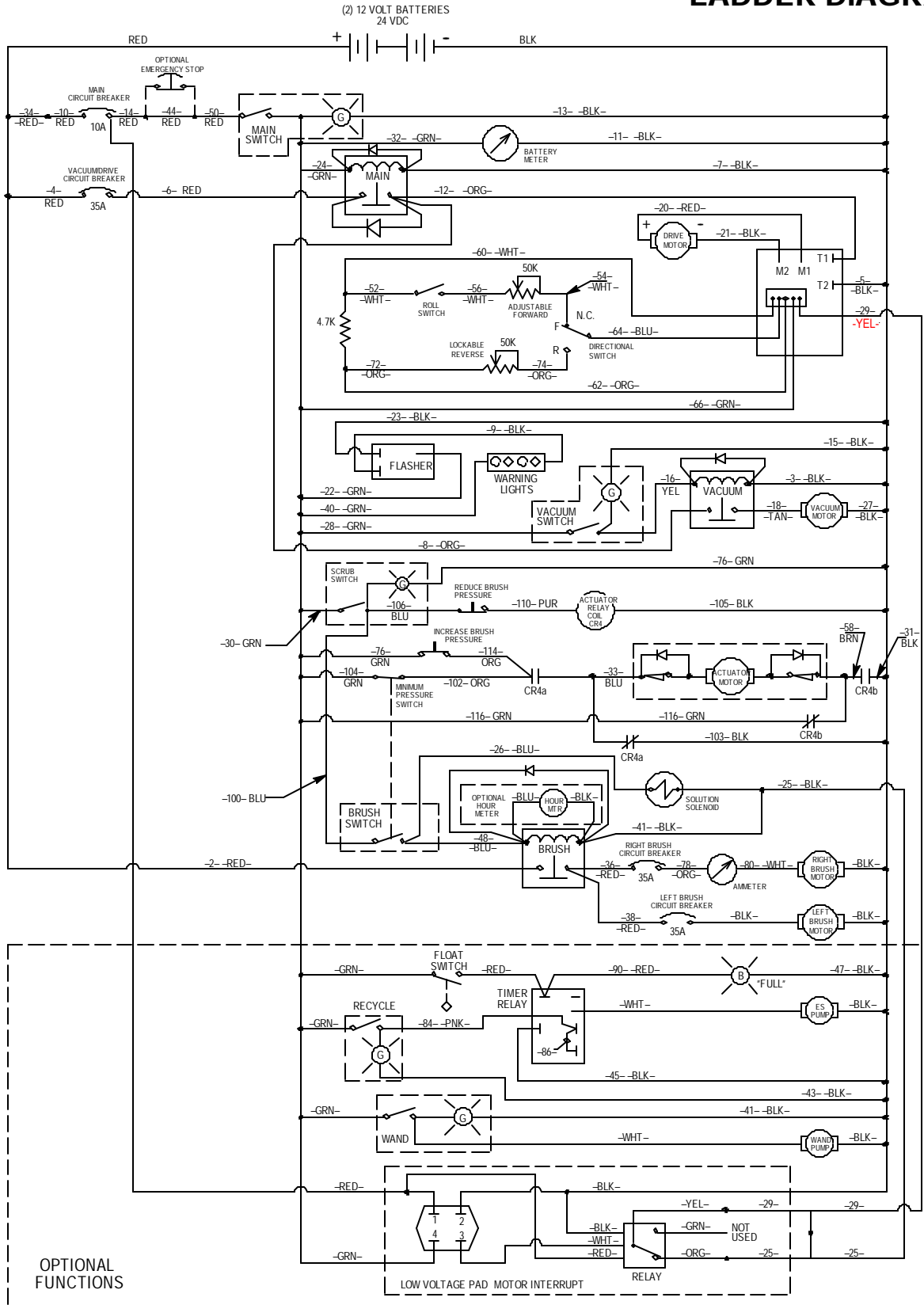
FAX: 1-800-678-4240
1-616-786-2345

612814
Rev. 01 (01-02)

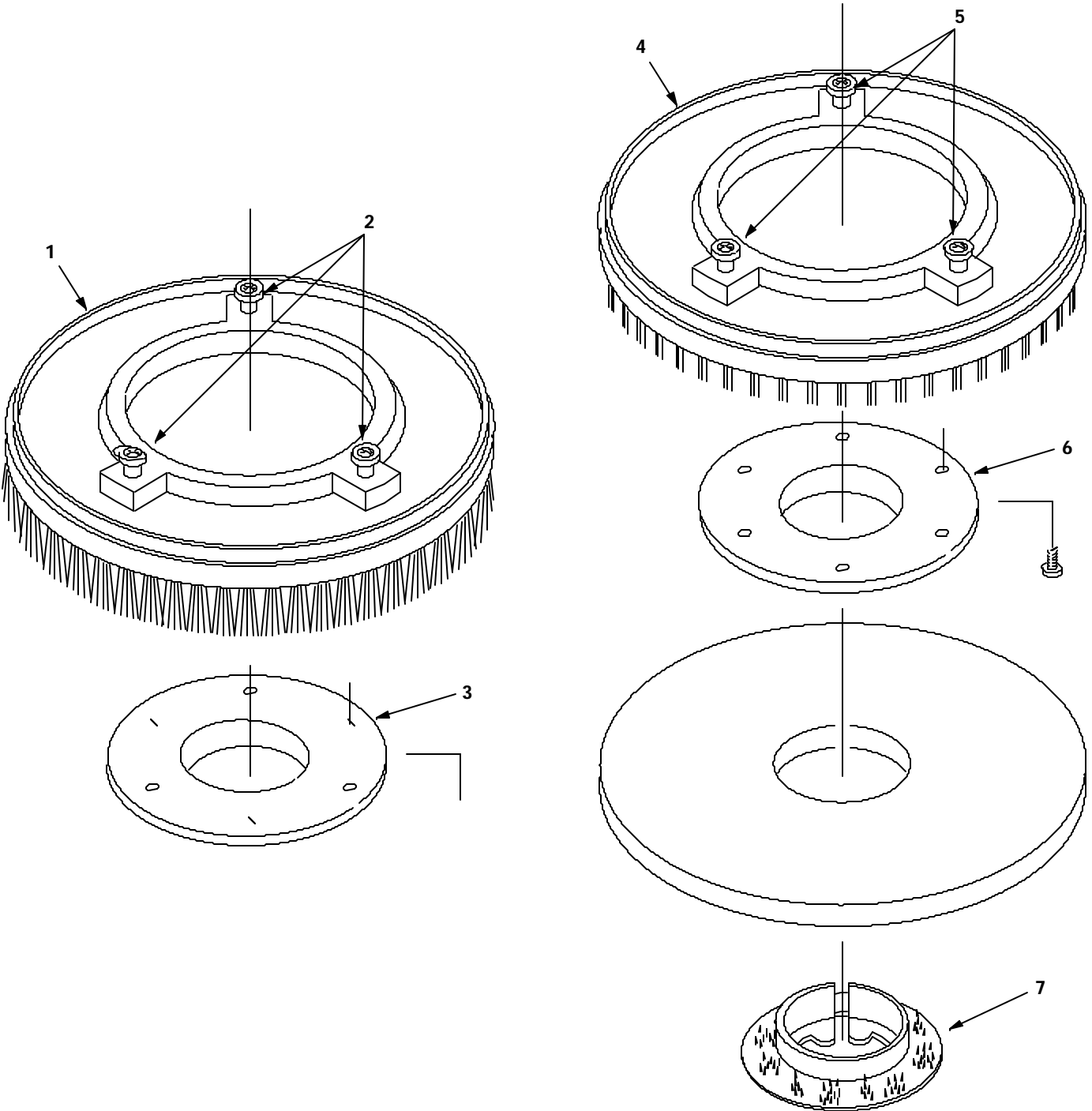
WIRING DIAGRAM



LADDER DIAGRAM



REPLACEMENT BRUSHES AND PAD DRIVER GROUP
CEPILLO DEL REEMPLAZO Y GRUPO DEL MANDO DE LA ALMOHADILLA



**REPLACEMENT BRUSHES AND PAD DRIVER GROUP
CEPILLO DEL REEMPLAZO Y GRUPO DEL MANDO DE LA ALMOHADILLA**

REF	PART #	DESCRIPTION	QTY.
▽ 1	240260	DBRUSH, POLY-SCRUB 2/PK 305MM (12")	2
	603159	DBRUSH, POLY-SCRUB 2/PK 330MM (13")	2
	240261	DBRUSH, DYNA-SCRUB 2/PK 305MM (12")	2
	603160	DBRUSH, DYNA-SCRUB 2/PK 330MM (13")	2
	240259	DBRUSH, STRATA SCRUB/STRIP 2/PK 305MM (12")	2
	603161	DBRUSH, STRATA SCRUB/STRIP 2/PK 330MM (13")	2
Y 2	240238	DLUGS, W/ SCREWS (SET OF 3)	6
Y 3	100106	DPLATE, PAD DRIVER BASE	2

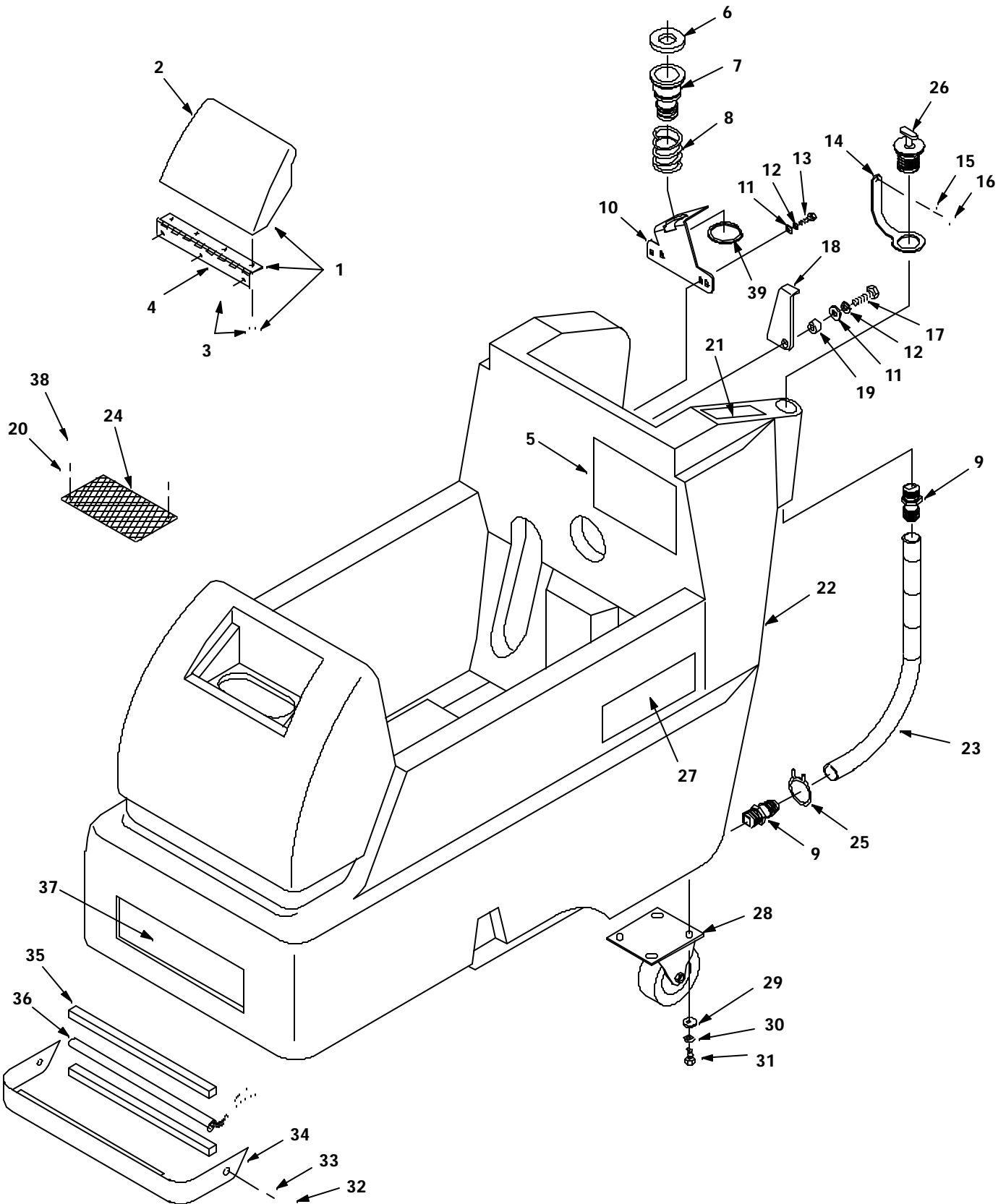
REF	PART #	DESCRIPTION	QTY.
▽ 4	240262	DASM., PAD DRIVER 2/PK 305MM (12")	2
	602928	DASM., PAD DRIVER 2/PK 330MM (13")	2
Y 5	240238	DLUGS, W/SCREWS (SET OF 3)	6
Y 6	100106	DPLATE, PAD DRIVER BASE	2
Y 7	100107	DRING, PAD RETAINER SNAP-IN	2

▽ ASSEMBLY / CONJUNTO

Y INCLUDED IN ASSEMBLY / INCLUIDO EN EL CONJUNTO

D RECOMMENDED STOCK ITEMS / ARTICULOS RECOMENDADOS PARA
MANTENER EN EXISTENCIA

SOLUTION TANK GROUP
GRUPE DEL DEPÓSITO DE DISOLUCIÓN



SOLUTION TANK GROUP
GRUPE DEL DEPÓSITO DE DISOLUCIÓN

REF	PART #	DESCRIPTION	QTY.
∇ 1	607982	ASM., SOL. TANK COVER TEAL	1
∇ 2	612519	COVER, TANK TEAL	1
∇ 3	140706	RIVET, POP	7
∇ 4	611068	HINGE, COVER	1
5	603233	DECAL, BATTERY RECHARGE	1
6	630010	DGASKET, TUBE ADAPTER	1
7	630011	TUBE, VAC	1
8	630267	SPRING, TUBE ADAPTER	1
9	150529	HOSE BARB	2
10	608706	BRACKET, VAC TUBE	1
11	140027	WASHER, 5/16 FLAT	3
12	140015	WASHER, 5/16 SPLIT LOCK	3
13	200031488	SCREW, M8X1.25X20 HXHDCP	2
14	600476	DSTRAP, PLUG REAR FILL	1
15	140011	WASHER, 3/16 FLAT	1
16	140350	SCREW, #10X1/2 PANPHL	1
17	200031488	SCREW, M8X1.25X20 HXHDCP	1
18	230925	SUPPORT, RECOVERY TANK	1
19	611418	BUSHING	1
20	140032	WASHER, #6 FLAT	2

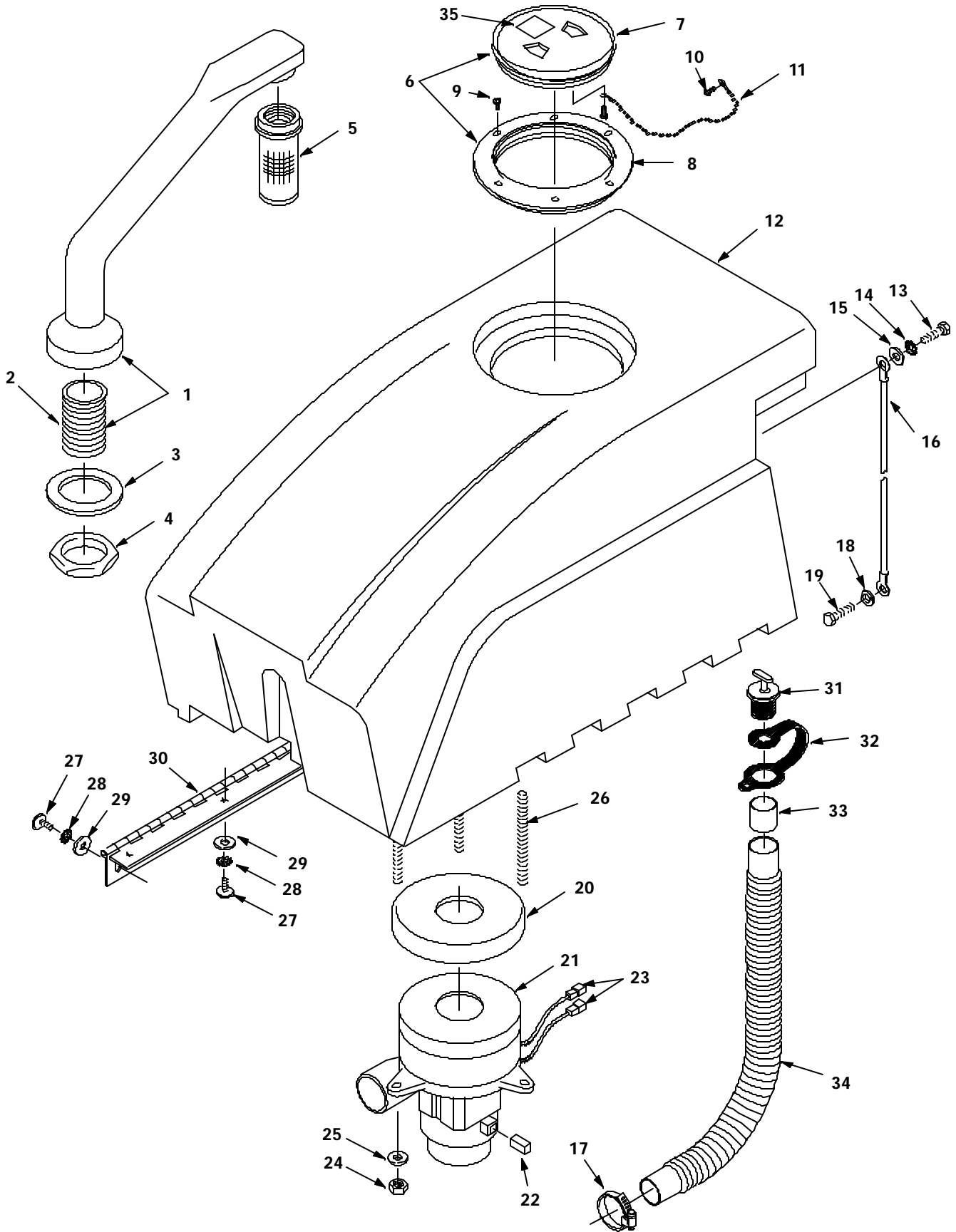
REF	PART #	DESCRIPTION	QTY.
21	600650	DECAL, SQUEEGEE LEVER CE	1
22	607552	TANK, SOLUTION TEAL	1
23	607983	ASM., DRAIN HOSE W/LEVEL IND.	1
24	602529	DSCREEN, FILL	1
25	608915	CLAMP, HOSE 2-WIRE	1
26	621324	DPLUG, EXPANSION	1
27	608118	DECAL, "5500"	2
	608119	DECAL, "5520"	2
630002 28	612056	DCASTER, 4"	2
29	140036	WASHER, 3/8 FLAT	8
30	140333	WASHER, M10 SPLIT LOCK	8
31	140277	SCREW, M10X1.5X20 HXHDCP	8
32	578141000	SCREW, M5X10 PANPHL	2
33	140018	WASHER, #10 INT. LOCK	2
34	612765	SHIELD, LIGHT	1
35	605324	GASKET, 1/2"X1.34'	2
36	130023	LIGHT, SAFETY	1
37	120192	DECAL, TENNANT LOGO	1
38	3701.6	SCREW, #6X3/8 PANPHL	2
39	630016	RING, RETAINING	1

∇ ASSEMBLY / CONJUNTO

∇ INCLUDED IN ASSEMBLY / INCLUIDO EN EL CONJUNTO

D RECOMMENDED STOCK ITEMS / ARTICULOS RECOMENDADOS PARA
MANTENER EN EXISTENCIA

RECOVERY TANK GROUP
CONJUNTO DEPOSITO RECUPERAR



**RECOVERY TANK GROUP
CONJUNTO DEPOSITO RECUPERAR**

REF	PART #	DESCRIPTION	QTY.
∇ 1	701103	ASM., STANDPIPE	1
∇ 2	606088	FITTING, NIPPLE	1
3	101714	DGASKET	1
4	210240	NUT, FLANGED	1
5	180613	DFLOAT, SHUT-OFF	1
∇ 6	100102	DASM., LID CLEAR W/STD HOLE	1
∇ 7	100105	DLID, CENTER CLEAR ONLY	1
∇ 8	100109	DLID, OUTER RING ONLY	1
9	140826	SCREW, #6X3/4 PANPHL	6
10	3701.6	SCREW, #6X3/8 PANPHL	2
11	230513	CHAIN	1
12	607554	TANK, RECOVERY TEAL	1
13	578187000	SCREW, M06X1.0X12 PANPHL	1
14	140052	WASHER, 1/4 EXT. LOCK	1
15	140000	WASHER, 1/4 FLAT	1
16	140960	DCABLE	1
17	140308	CLAMP	1

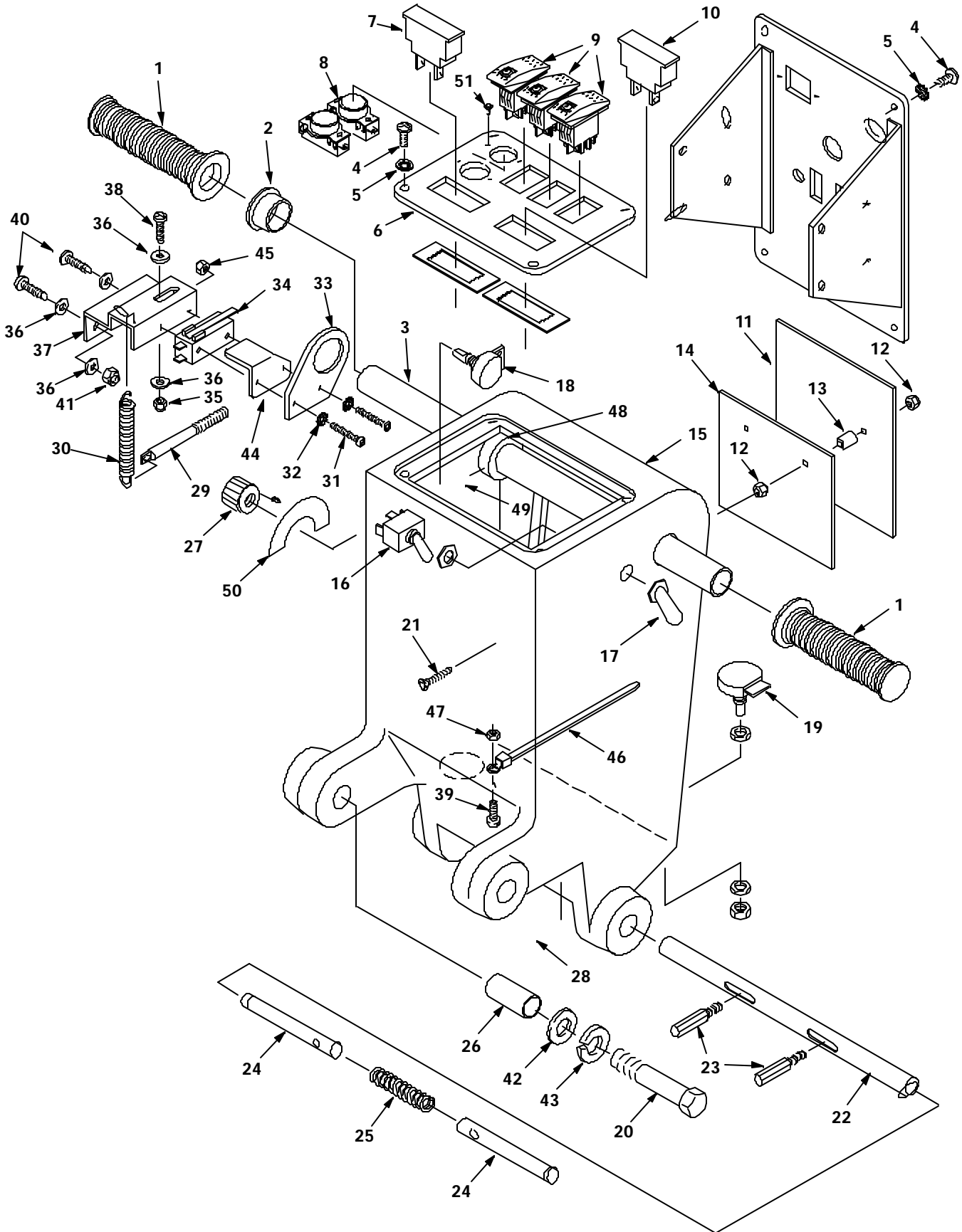
REF	PART #	DESCRIPTION	QTY.
18	140015	WASHER, 5/16 SPLIT LOCK	1
19	200031488	SCREW, M8X1.25X20 HXHDCP	1
20	0174..10	DSEAT, NEOPRENE MOTOR	1
∇ 21	130477	DMOTOR, VAC 5.7/3 STG 24 VDC	1
∇ 22	190163	DCARBON BRSH W/HOLDER 2/PK	2
23	130096	TERMINAL, MALE DISCONNECT	2
24	140284	NUT, M6 NYLOCK	3
25	140000	WASHER, 1/4 FLAT	3
26	140353	STUD, M6X1.0X108	3
27	578187000	SCREW, M06X1.0X12 PANPHL	11
28	140052	WASHER, 1/4 EXT. LOCK	11
29	140000	WASHER, 1/4 FLAT	11
30	600311	DHINGE, RECOVERY TANK	1
31	621324	DPLUG, EXPANSION	1
32	578441	DSTRAP, DRAINHOSE	1
33	630394	DSLEEVE, DRAINHOSE	1
34	630068	DHOSE, DRAIN	1
35	606105	DO NOT SPRAY	1

∇ ASSEMBLY / CONJUNTO

∇ INCLUDED IN ASSEMBLY / INCLUIDO EN EL CONJUNTO

D RECOMMENDED STOCK ITEMS / ARTICULOS RECOMENDADOS PARA
MANTENER EN EXISTENCIA

CONSOLE GROUP
CONJUNTO CONSOLA DE CONTROLES



CONSOLE GROUP CONJUNTO CONSOLA DE CONTROLES

REF	PART #	DESCRIPTION	QTY.
1	200823	DGRIP, HANDLE TUBE	2
2	605351	BUSHING	1
3	604402	HANDLE, TUBE	1
4	578141000	SCREW, M5X10 PANPHL	8
5	140018	WASHER, #10 INT. LOCK	8
∇	613027	ASM., SWITCH PANEL	1
∇ 6	613028	PANEL, SWITCH	1
∇ 7	606857	DGAUGE, BRUSH PRESSURE	1
∇ 8	626128	DSWITCH, PUSH BUTTON	2
∇ 9	601107	DSWITCH, LIGHTED ROCKER	3
∇ 10	606020	DMETER, BATTERY VOLTAGE 24V	1
11	630104	DSPEED CONTROL, PMB 55 AMP	1
12	200160014	NUT, M4 HXLCK	4
13	630261	SPACER	2
14	630128	HEATSINK, ALLUM.	1
15	607556	HOUSING, CONTROL TEAL	1
16	601108	DSWITCH, TOGGLE	1
17	130753	DBOOT, SWITCH	1
18	130776	DPOTENTIOMETER, 50K	1
19	130775	DPOTENTIOMETER, 50K LOCKABLE	1
20	140351	SCREW, M12X1.75X70 HXHDCP	2
21	630304	SCREW, M4X.7X35 FLTPHL	2
22	230715	TUBE, HANDLE ADJUSTMENT	1
23	230649	PIN, HANDLE ADJUSTMENT	2
24	230710	PIN, HANDLE LOCK	2
25	140415	SPRING, LOCK PIN	1
26	140155	BUSHING	2

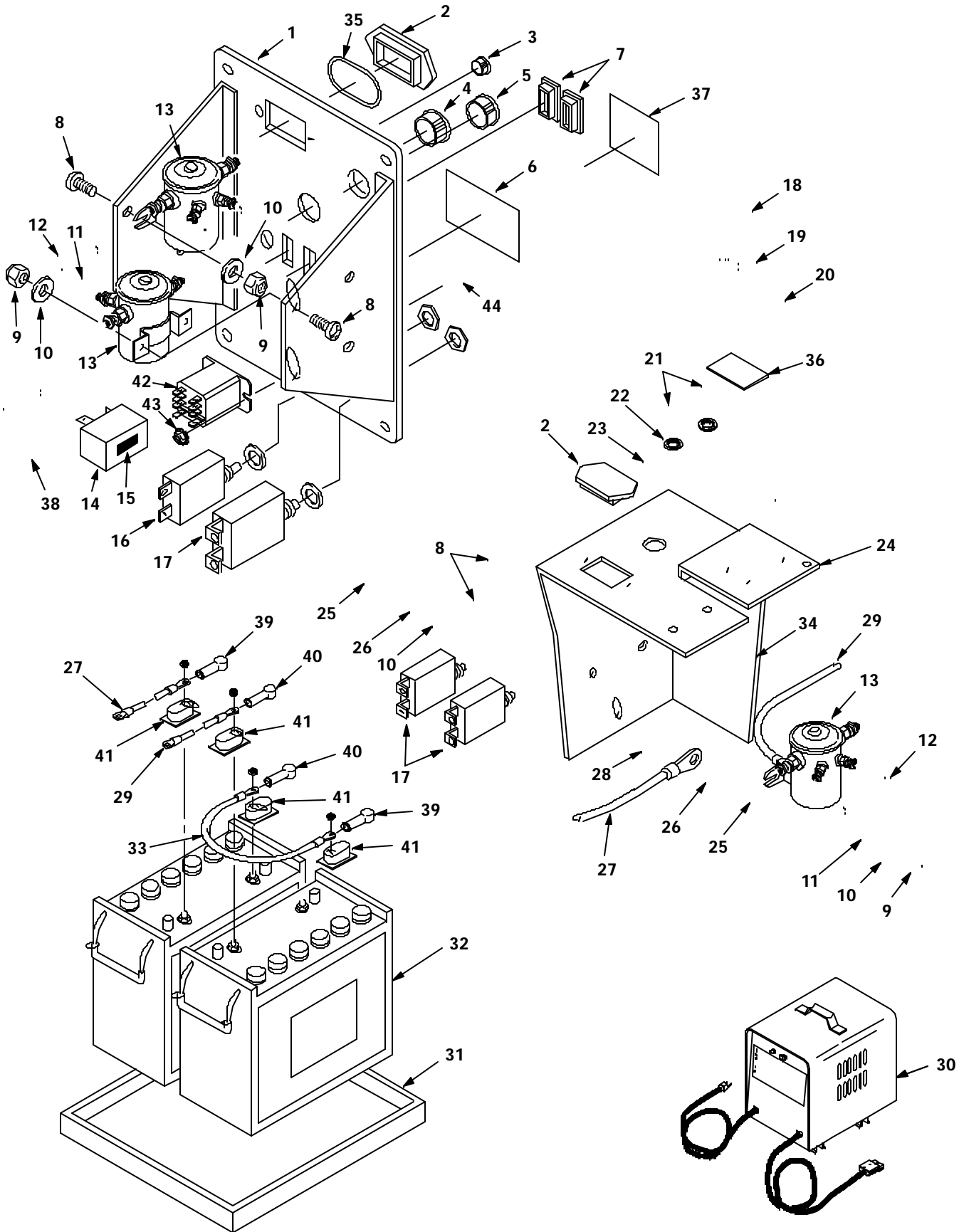
REF	PART #	DESCRIPTION	QTY.
27	606550	DKNOB, SPEED CONTROL	1
28	603007	BUSHING, SNAP	1
29	602886	PIN, SPRING RETURN	1
30	605812	SPRING, EXTENSION	1
31	140829	SCREW, #6- 32X1 PANPHL	2
32	140019	WASHER, #6 EXT. LOCK	2
33	27098	BRACKET, SWITCH	1
34	130729	DSWITCH, ROLL	1
35	140552	NUT, #10- 24 NYLOCK	1
36	140000	WASHER, 1/4 FLAT	6
37	25671	MOUNT, SWITCH	1
38	140890	SCREW, #10- 24X1/2 TRSPHL	1
39	140900	SCREW, #10- 24X3/4 TRSPHL	1
40	608322	SCREW, M6X1.0X16 TRSPHL	2
41	140284	NUT, M6 NYLOCK	2
42	140045	WASHER, 1/2 FLAT	2
43	140024	WASHER, 1/2 LOCK	2
44	603830	PLATE, GUARD SWITCH	1
45	140540	NUT, #6- 32 HEX	2
46	630343	CLAMP, CABLE	1
47	140552	NUT, #10- 24 NYLOCK	1
48	605094	COLLAR, HANDLE	2
49	140859	SCREW, 1/4- 20X1/4 SK CUP	2
50	606549	DECAL, SPEED CONTROL	1
∇ 51	611226000	SCREW, #6- 32X1/4 TRS	4
N/S	602873	HARNESS CONSOLE W/POT.	1
	612977	HARNESS, MAIN/SWITCH/ CONSOLE	1

∇ ASSEMBLY / CONJUNTO

∇ INCLUDED IN ASSEMBLY / INCLUIDO EN EL CONJUNTO

D RECOMMENDED STOCK ITEMS / ARTICULOS RECOMENDADOS PARA MANTENER EN EXISTENCIA

ELECTRICAL / BATTERY GROUP
GRUPO DEL ELÉCTRICO/BATERÍA



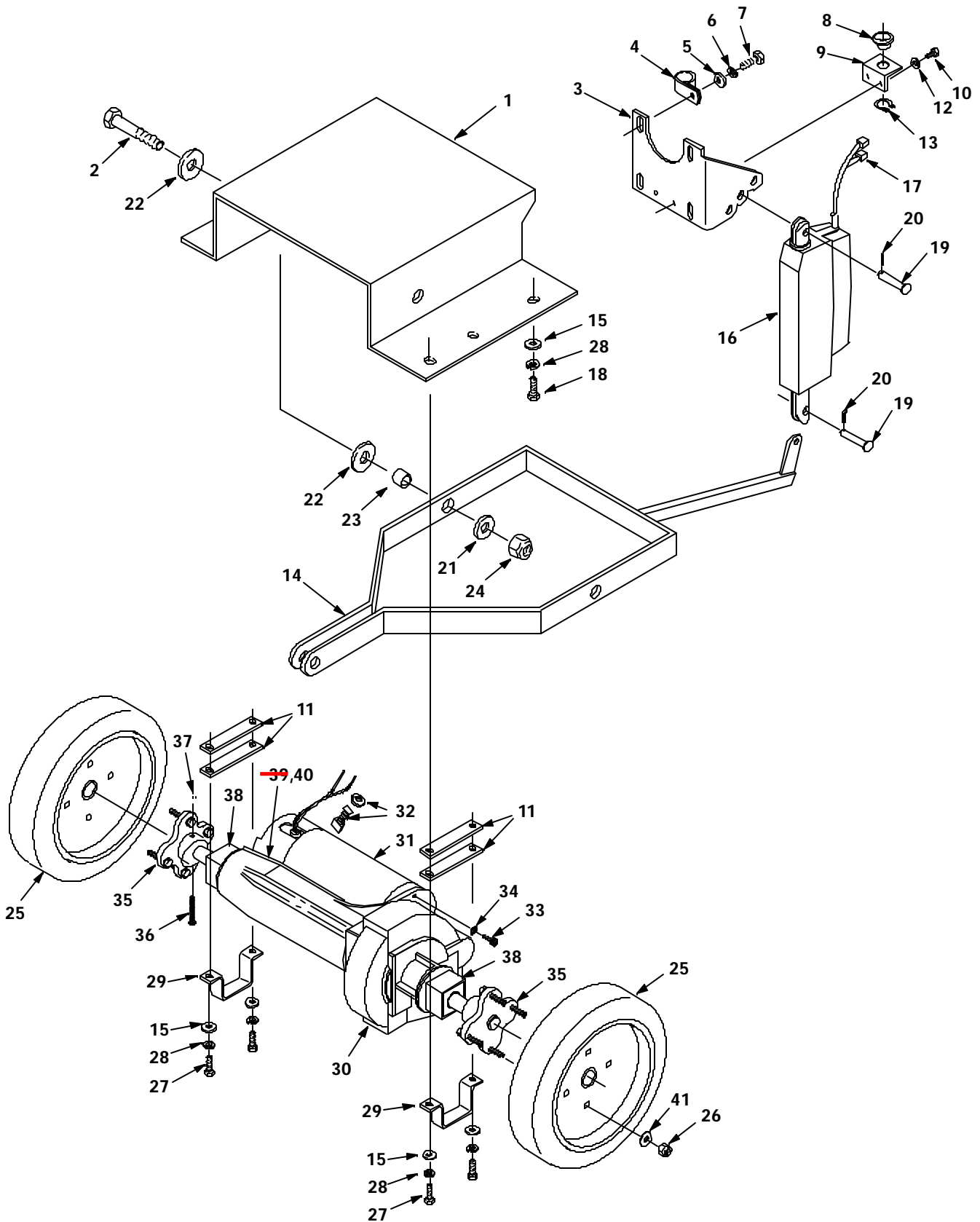
ELECTRICAL / BATTERY GROUP
GRUPO DEL ELÉCTRICO/BATERÍA

REF	PART #	DESCRIPTION	QTY.
1	613030	PANEL, CONTROL HOUSING	1
2	609969	DPLUG, HOUR METER	2
3	069764626	DPLUG, HOLE 012.7	1
4	130161	DPLUG, DOME .850	1
5	130175	DPLUG, DOME .750	1
6	120649	DECAL, WARNING BATTERY	1
7	582150	DPLUG, ACCESSORY SWITCH	2
8	608322	SCREW, M6X1.0X16 TRSPHL	6
9	140284	NUT, M6 NYLOCK	6
10	140000	WASHER, 1/4 FLAT	7
11	606404	DASM., DIODE W/RING TERM.	3
12	281001009	RING, TERMINAL #10	6
13	605905	DSOLENOID, 24V	3
14	130021	DFLASHER, 24VDC	1
15	606243	TAPE, ACRYLIC 1"X.083'	1
16	130737	DBREAKER, CIRCUIT BRSH10AMP	1
17	602951	DBREAKER, CIRCUIT 35 AMP	3
18	140829	SCREW, #6- 32X1 PANPHL	2
19	140019	WASHER, #6 EXT. LOCK	2
20	605387	DCONNECTOR, 50A W/O CNTCTS	1
21	578141000	SCREW, M5X10 PANPHL	2

D RECOMMENDED STOCK ITEMS / ARTICULOS RECOMENDADOS PARA
MANTENER EN EXISTENCIA

REF	PART #	DESCRIPTION	QTY.
22	140018	WASHER, #10 INT. LOCK	2
23	130698	BUSHING, SNAP	1
24	602887	BRACKET	1
25	140553	SCREW, 1/4- 20X1/2 HXHDCP	2
26	140016	WASHER, 1/4 LOCK	2
27	602871	CABLE, BATTERY #6 BLACKX20"	1
76062	578427	DSTANDOFF	1
29	602872	CABLE, BATTERY #6 REDX28"	1
30	603235	CHARGER, 24DC 20 AMP	1
31	601991	TRAY, BATTERY	1
32	600394	BATTERY, 12V 215A	2
33	130364	DCABLE, BATTERY #6 BLACKX15"	1
34	140539	NUT, #6- 32 KEP	2
35	605823	DO- RING .929 ID X .996 OD	1
36	603331	SPACER, CHARGER PLUG	1
37	578729	DECAL, READ MANUAL	1
38	604486	ASM., DIODE SPLICED	1
39	611221	BOOT, BATTERY CABLE BLK	2
40	611222	BOOT, BATTERY CABLE RED	2
41	45962	COVER, BATTERY TERMINAL	4
42	1001219	RELAY, 24VDC, DPDT	1
43	140519	NUT, #10- 24 KEP	2
44	140890	SCREW, #10- 24X1/2 TRSPHL	2

DRIVE GROUP
GRUPO DE TRANSMISIÓN



DRIVE GROUP
GRUPO DE TRANSMISIÓN

REF	PART #	DESCRIPTION	QTY.
1	600288	PLATE, BASE TRANSAXLE	1
2	36758	BOLT, .38-16 SHOULDER	2
3	600292	BRACKET, ACTUATOR	1
4	140314	CLAMP, INSULATED 3/4 ID	1
5	140027	WASHER, 5/16 FLAT	4
6	140015	WASHER, 5/16 SPLIT LOCK	4
7	200031488	SCREW, M8X1.25X20 HXHDCP	4
8	621235	BUSHING, CABLE	1
9	630157	BRACKET, CABLE GUIDE	1
10	200031432	SCREW, M6X1.0X10 HXHDCP	2
11	612783	SPACER, AXLE	4
12	140016	WASHER, 1/4 LOCK	2
13	621236000	RING, RETAINING	1
14	600290	BRACKET, LIFT DUAL MOTOR	1
15	140028	WASHER, 3/8 FLAT	6
16	600952	DACUTATOR	1
17	281004001	TERMINAL, QC	2
18	140277	SCREW, M10X1.5X20 HXHDCP	2
19	604076	PIN, CLEVIS	2
20	578421	PIN, COTTER	2
21	140046	WASHER, .392 I.D.	2
22	140045	WASHER, 1/2 FLAT	4
23	602882	BUSHING	2
24	140515	NUT, 3/8-16 NYLCK	2

REF	PART #	DESCRIPTION	QTY.
25	613026	DWHEEL, NEOPRENE, SOLID	2
	630215	DWHEEL, PNEUMATIC, AIR	2
	600352	DWHEEL, FOAM FILLED	2
	604357	DKIT, PNEUMATIC WHEEL, AIR	1
	604259	DKIT, WHEEL FOAM FILLED	1
26	140501	NUT, 1/4-20 HXLCK SS	8
27	612255000	SCREW, M10X1.5X35 HXHDCP	4
28	140333	WASHER, M10 SPLIT LOCK	6
29	612784	BRACKET, TRANSAXLE MOUNT	2
30	612844	TRANSAXLE, 24V MOTOR	1
Y	612873	BODY, TRANSAXLE ONLY	1
Y	612874	COUPLING, NYLON, TRANSAXLE	1
Y	612875	KEY, TRANSAXLE	1
YV31	612877	DMOTOR, TRANSAXLE	1
YV32	612883	D BRUSH, CARBON KIT BRUSHES W/CAPS (2/PK) 4/PK	1
Y 33	140068	SCREW, 1/4-20X5/8 SHCS	2
Y 34	32982	WASHER, 1/4 INT. LOCK	2
Y 35	612879	HUB, WHEEL TRANSAXLE	2
Y 36	31249	BOLT, #10-24 SHOULDER	2
Y 37	140552	NUT, #10-24 NYLOCK	2
Y 38	612880	SLEEVE, TRANSAXLE REPL.	2
Y 39	613082	COVER, TRANSAXLE	1
Y 40	577031000	SCREW, #8X1/2 PANPHL	2
41	140000	WASHER, 1/4 FLAT	8

▽ ASSEMBLY / CONJUNTO

Y INCLUDED IN ASSEMBLY / INCLUIDO EN EL CONJUNTO

D RECOMMENDED STOCK ITEMS / ARTICULOS RECOMENDADOS PARA
MANTENER EN EXISTENCIA

BRUSH DRIVE GROUP
CONJUNTO IMPULSO DE CEPILLO

222615

REF	PART #	DESCRIPTION	QTY.
∇ 1	130491	DMOTOR & GEAR BOX, BRUSH	2
∇	630609	DASM., GEAR BOX	1
∇	190741	DASM., BRUSH CARD	1
∇	190970	DBRUSH, CARBON	4
∇	140632	DKEY, 1/4X1	1
X 2	130192	TERMINAL, MALE	1
X 3	130192	TERMINAL, MALE	1
4	100764	COVER, BRUSH MOTOR	2
5	600300	PLATE, GUIDE	2
6	140003	WASHER, 1/4X1 FENDER	8
7	140016	WASHER, 1/4 LOCK	8
8	140272	SCREW, M6X1.0X16 HXHDCP	8
9	609470	HOSE, 3/8IDX5/8ODX9"	2
10	607775	CLAMP, HOSE 2 WIRE BLK	2
11	140618	PIN, ROLL	4
12	140028	WASHER, 3/8 FLAT	8
13	140017	WASHER, 3/8 SPLIT LOCK	8
14	140202	SCREW, 3/8- 16X1 HXHDCP	8
15	606335	PLATE, DRIVER NYLON	2
16	25732	WASHER, .36 FLAT	4
17	140015	WASHER, 5/16 SPLIT LOCK	2
18	140219	SCREW, 5/16- 18X1 HXHD	2

1020061

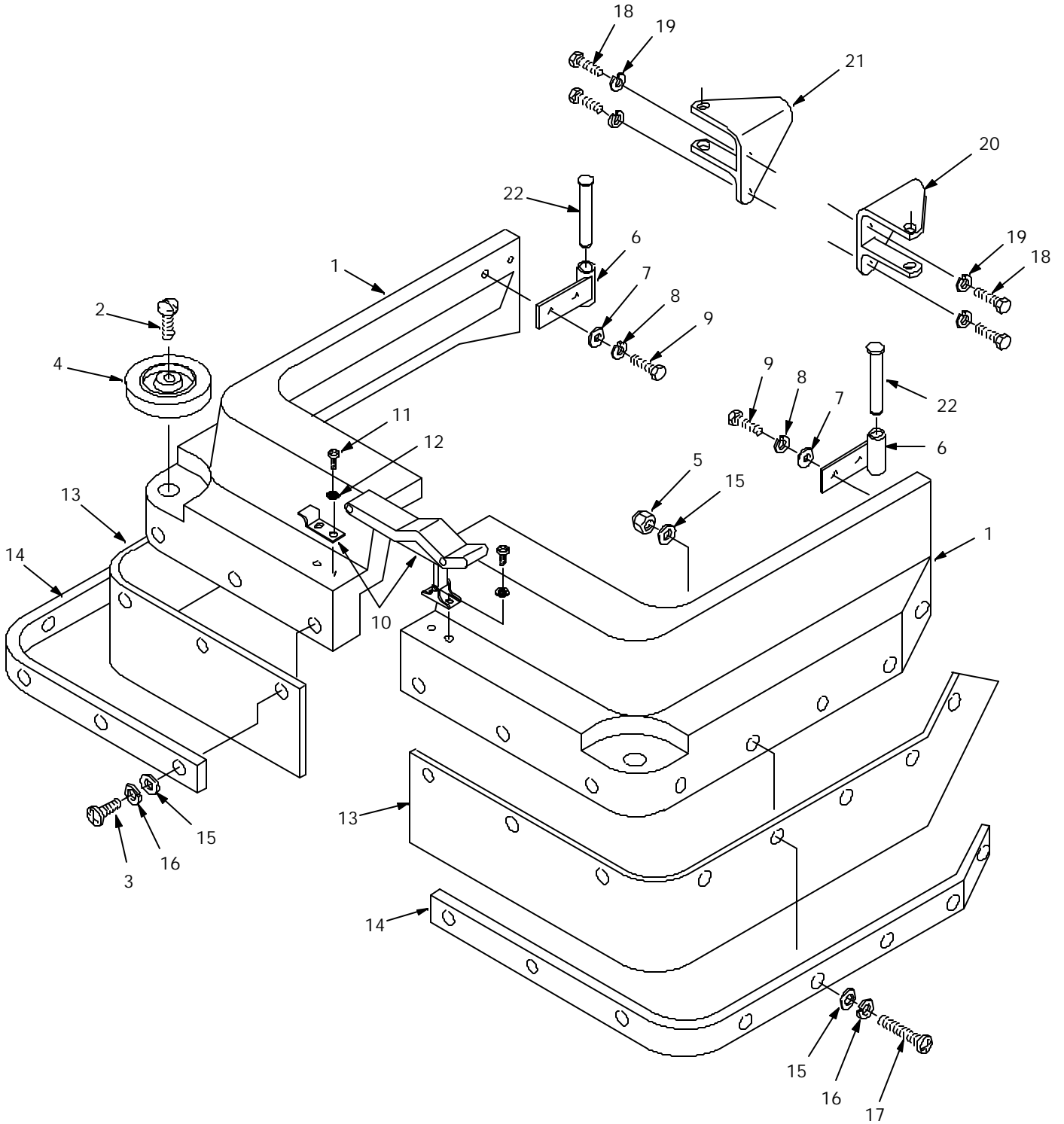
REF	PART #	DESCRIPTION	QTY.
19	140417	DCLIP, SPRING	2
20	230651	DCLAMP, BRUSH PLATE	2
21	1001148	BRACKET, SPRING	1
22	230697	DSTOP, DRIVER RELEASE	2
23	606915	SCREW, HIGH LOW 10- 16X3/8	8
24	200031488	SCREW, M8X1.25X20 HXHDCP	4
25	140015	WASHER, 5/16 SPLIT LOCK	4
26	140225	SCREW, 3/8- 16X2 HXHDCP	1
27	606243	TAPE, ACRYLIC 1"X.25'	2
28	600299	LIP, FRONT SKIRT	1
29	600289	BRACKET, MOTOR MOUNT	1
30	613029	BRACKET, SPRING MOUNT	1
31	602930	BUSHING	1
32	578298000	WASHER, .64 FLAT	8
33	602555	SPRING	1
34	600200	NUT, 3/8- 16 JAM	1
35	140028	WASHER, 3/8 FLAT	2
36	1000975	BRACKET, SWITCH, BRUSH	1
37	069764008	SWITCH, SNAP, ROLLER, 25A	2
38	140757	SCREW, #6- 32X2- 1/4 PANPHL	2
39	140032	WASHER, #6 FLAT	2
40	140539	NUT, #6- 32 KEP	2
41	578141000	SCREW, M5X10 PANPHL	2
42	140018	WASHER, #10 INT. LOCK	2

∇ ASSEMBLY / CONJUNTO

∇ INCLUDED IN ASSEMBLY / INCLUIDO EN EL CONJUNTO

D RECOMMENDED STOCK ITEMS / ARTICULOS RECOMENDADOS PARA
MANTENER EN EXISTENCIA

BRUSH SKIRT GROUP
CONJUNTO JUEGO DE CEPILLO



BRUSH SKIRT GROUP CONJUNTO JUEGO DE CEPILLO

REF	PART #	DESCRIPTION	QTY.
▽	609798	ASM., SKIRT OPERATOR LH TEAL (5500)	1
	609796	ASM., SKIRT OPERATOR LH TEAL (5520)	1
	609797	ASM., SKIRT OPERATOR RH TEAL (5500)	1
	609795	ASM., SKIRT OPERATOR RH TEAL (5520)	1
Y 1	607558	SKIRT, OPERATOR LH TEAL (5500)	1
	607564	SKIRT, OPERATOR LH TEAL (5520)	1
	607560	SKIRT, OPERATOR RH TEAL (5500)	1
	607566	SKIRT, OPERATOR RH TEAL (5520)	1
Y 2	603154	DSCREW, M08X1.25X40MM	2
Y 3	578144000	SCREW, M5X16MM	10
Y 4	630450	DWHEEL, RUBBER	2
Y 5	140283	NUT	6
Y 6	600301	BRACKET, SKIRT MOUNT	2

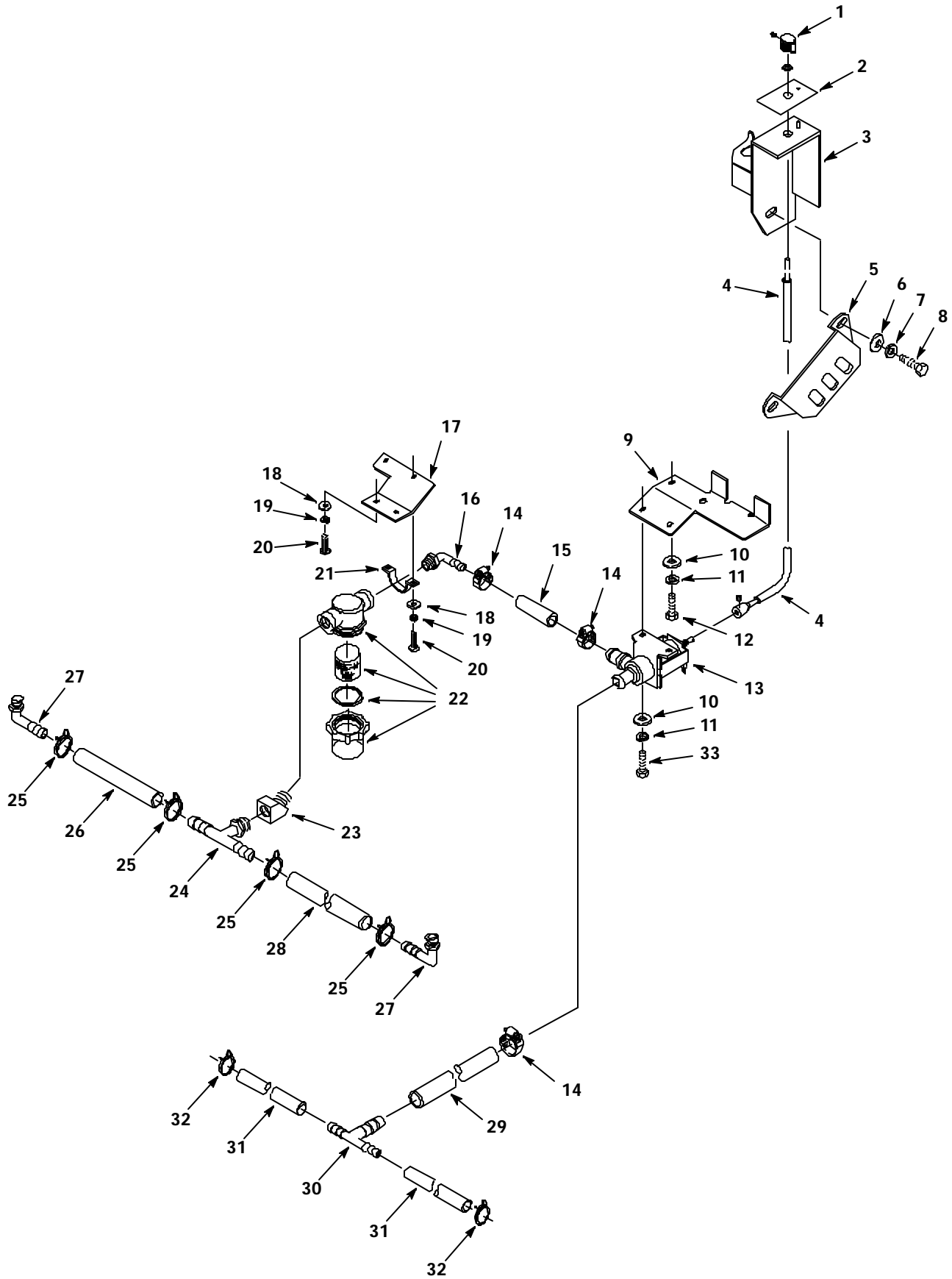
REF	PART #	DESCRIPTION	QTY.
Y 7	140027	WASHER, 5/16 FLAT	4
Y 8	140015	WASHER, 5/16 SPLIT LOCK	4
Y 9	578237000	SCREW, M8X1.25X18 HXHDCP	4
Y 10	140932	DLATCH, HOOD	1
Y 11	200070340	SCREW, M4X.7X8 PANPHL	4
Y 12	140023	WASHER, #8 INT	4
	600295	DGUARD, SPLASH (5500)	2
Y 13	600294	DGUARD, SPLASH (5520)	2
	600297	STRAP, SPLASH GUARD (5500)	2
Y 14	600296	STRAP, SPLASH GUARD (5520)	2
	140011	WASHER, 3/16 FLAT	22
Y 15	140018	WASHER, #10 INT. LOCK	16
Y 16	140293	SCREW, M5X.8X30 PANPHL	6
Y 17	575029000	SCREW, M8X1.25X20 PANPHL	4
18	140015	WASHER, 5/16 SPLIT LOCK	4
19	607951	BRACKET, SKIRT MOUNT LH	1
20	607952	BRACKET, SKIRT MOUNT RH	1
21	230943	DPIN, SKIRT	2
22			

▽ ASSEMBLY / CONJUNTO

Y INCLUDED IN ASSEMBLY / INCLUIDO EN EL CONJUNTO

D RECOMMENDED STOCK ITEMS / ARTICULOS RECOMENDADOS PARA
MANTENER EN EXISTENCIA

SOLUTION CONTROL GROUP
CONJUNTO DE PALANCAS SOLUCIÓN



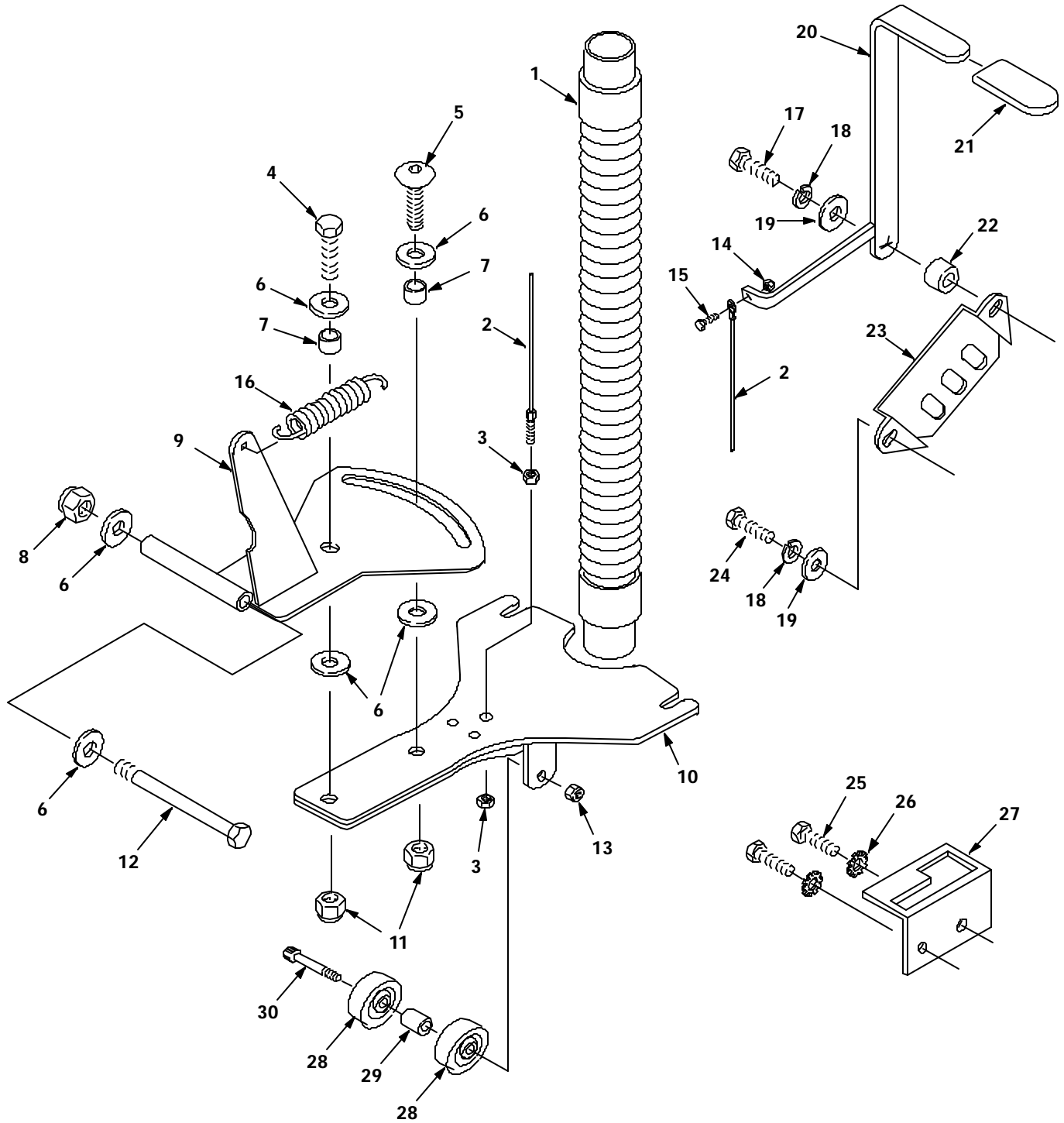
SOLUTION CONTROL GROUP
CONJUNTO DE PALANCAS SOLUCIÓN

REF	PART #	DESCRIPTION	QTY.
1	626121	KNOB, WATER VALVE	1
2	612039	DECAL, SOLUTION CONTROL	1
3	611821	BRACKET, SOLUTION CONTROL	1
4	612497	CABLE, SOL. FLOW CONTROL	1
5	230661	PLATE, LOCK CONTROL HSG.	1
6	140027	WASHER, 5/16 FLAT	2
7	140015	WASHER, 5/16 SPLIT LOCK	2
8	200031488	SCREW, M8X1.25X20 HXHDCP	2
9	611822	BRACKET, SOLELNOID MOUNT	1
10	140000	WASHER, 1/4 FLAT	4
11	140016	WASHER, 1/4 LOCK	4
12	140272	SCREW, M6X1.0X16 HXHDCP	2
13	612498	DVALVE, LIQUID DISPENSING	1
14	140310	CLAMP, HOSE	3
15	069760725	HOSE, 1/2IDX3.25"	1
16	578039000	FITTING, 3/8MX1/2H ELBOW 90	1

D RECOMMENDED STOCK ITEMS / ARTICULOS RECOMENDADOS PARA
MANTENER EN EXISTENCIA

REF	PART #	DESCRIPTION	QTY.
17	611820	BRACKET, FILTER BOWL	1
18	575541000	WASHER, M5X1 FLAT	4
19	200655016	WASHER, M5 LOCK	4
20	609062	SCREW, M5X.8X12 TRSPHL	4
21	605056	BRACKET, FILTER MOUNT	1
22	601475	DASM., FILTER BOWL & SCREEN	1
23	01997	FITTING, BRASS ELBOW 45	1
24	605046	FITTING, 3/8MX1/2HX1/2H TEE	1
25	607776	CLAMP, HOSE 2 WIRE BLK	4
26	606241	HOSE, 1/2IDX6"	1
27	578039000	FITTING, 3/8MX1/2H ELBOW 90	2
28	626204	HOSE, 320MM	1
29	578822000	HOSE, 425MM	1
30	612149000	FITTING, 3/8HX3/8HX1/2H TEE	1
31	609470	HOSE, 3/8IDX5/8ODX9"	2
32	607775	CLAMP, HOSE 2 WIRE BLK	2
33	200031432	SCREW, M6X1.0X10 HXHDCP	2

SQUEEGEE CONTROL GROUP
CONJUNTO DE PALETA PLANCAS



**SQUEEGEE CONTROL GROUP
CONJUNTO DE PALETA PLANCAS**

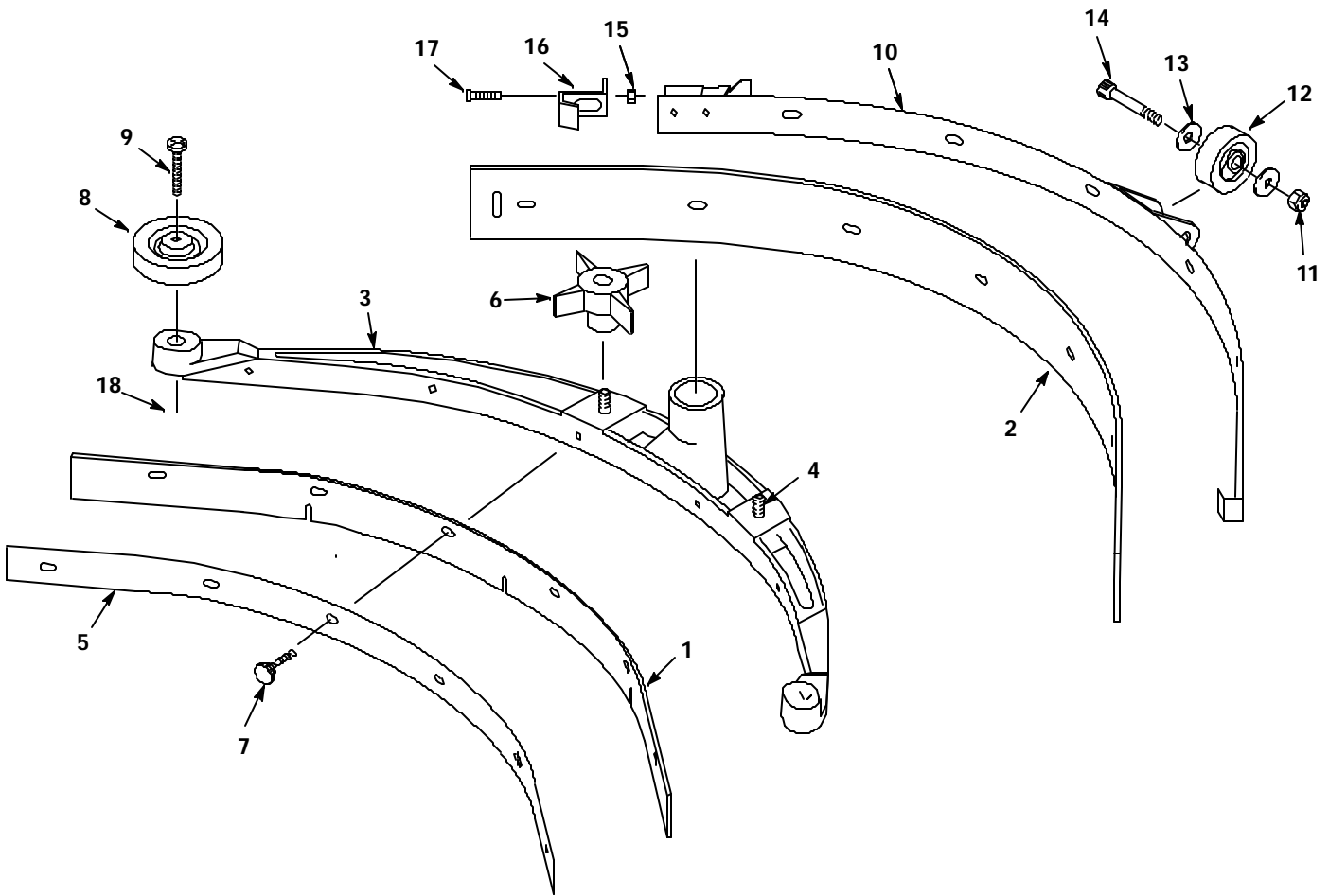
1015636

REF	PART #	DESCRIPTION	QTY.
1	160613	DHOSE, VAC 1.5X30" W/CUFFS	1
2	630156	DCABLE, SQUEEGEE LIFT	1
3	140501	NUT, 1/4- 20 NL	2
4	140236	SCREW, 1/2- 13X1.25 HXHDCP	1
5	611480	SCREW, 1/2- 13X1.25 TRSPHL	1
6	140045	WASHER, 1/2 FLAT	6
7	140139	BUSHING	2
8	140516	NUT, 1/2- 13 NYLOCK	1
9	611494	PIVOT MOUNT, SQUEEGEE	1
10	611479	BRACKET, SQUEEGEE MOUNT	1
11	140509	NUT, 1/2- 13 JAM	2
12	602981	SCREW, 1/2- 13X5- 1/2 HXHDCP	1
13	600200	NUT, 3/8- 16 HXLK	1
14	140284	NUT, M6 NYLOCK	1
15	140272	SCREW, M6X1.0X16 HXHDCP	1

REF	PART #	DESCRIPTION	QTY.
16	611477	SPRING	1
17	200031496	SCREW, M08X1.25X35	1
18	140015	WASHER, 5/16 SPLIT LOCK	2
19	140027	WASHER, 5/16 FLAT	2
20	602885	HANDLE, SQUEEGEE LIFT	1
21	200816	DGRIP, HANDLE	1
22	604358	BUSHING SPACER	1
23	230661	PLATE, LOCK CONTROL HSG.	1
24	200031488	SCREW, M8X1.25X20 HXHDCP	1
25	140268	SCREW, M5X.8X12 HXHDCP	2
26	140031	WASHER, #10 EXT. LOCK	2
27	230712	PLATE, SQUEEGEE LOCK	1
28	630477	WHEEL, 2" GRAY	2
29	603368	SPACER, NYLON	1
30	603144	SCREW, 3/8X3 SHOULDER	1

D RECOMMENDED STOCK ITEMS / ARTICULOS RECOMENDADOS PARA
MANTENER EN EXISTENCIA

SQUEEGEE ASSEMBLY GROUP - 838mm (33 in)
CONJUNTO PALETA



SQUEEGEE ASSEMBLY GROUP - 838mm (33 in)
CONJUNTO PALETA

REF	PART #	DESCRIPTION	QTY.
∇	612025	ASSEMBLY, SQUEEGEE, LINATEX	1
∇∇	606758	DKIT, SQUEEGEE BLADES, LINATEX	1
Y 1	605030	DBLADE, FRONT SQUEEGEE, LINATEX (RED)	1
Y 2	605029	DBLADE, REAR SQUEEGEE, LINATEX (RED)	1
1	605032	DBLADE, FRONT SQUEEGEE, URETHANE (WHITE)	1
2	611634	DBLADE, REAR SQUEEGEE, URETHANE (WHITE)	1
∇	606741	ASSEMBLY, SQUEEGEE, GUM RUBBER	1
∇∇	606757	DKIT, SQUEEGEE BLADES, GUM RUBBER	1
Y 1	605028	DBLADE, FRONT SQUEEGEE, GUM RUBBER (TAN)	1
Y 2	605027	DBLADE, REAR SQUEEGEE, GUM RUBBER (TAN)	1
Y 3	611462	CASTING, SQUEEGEE	1

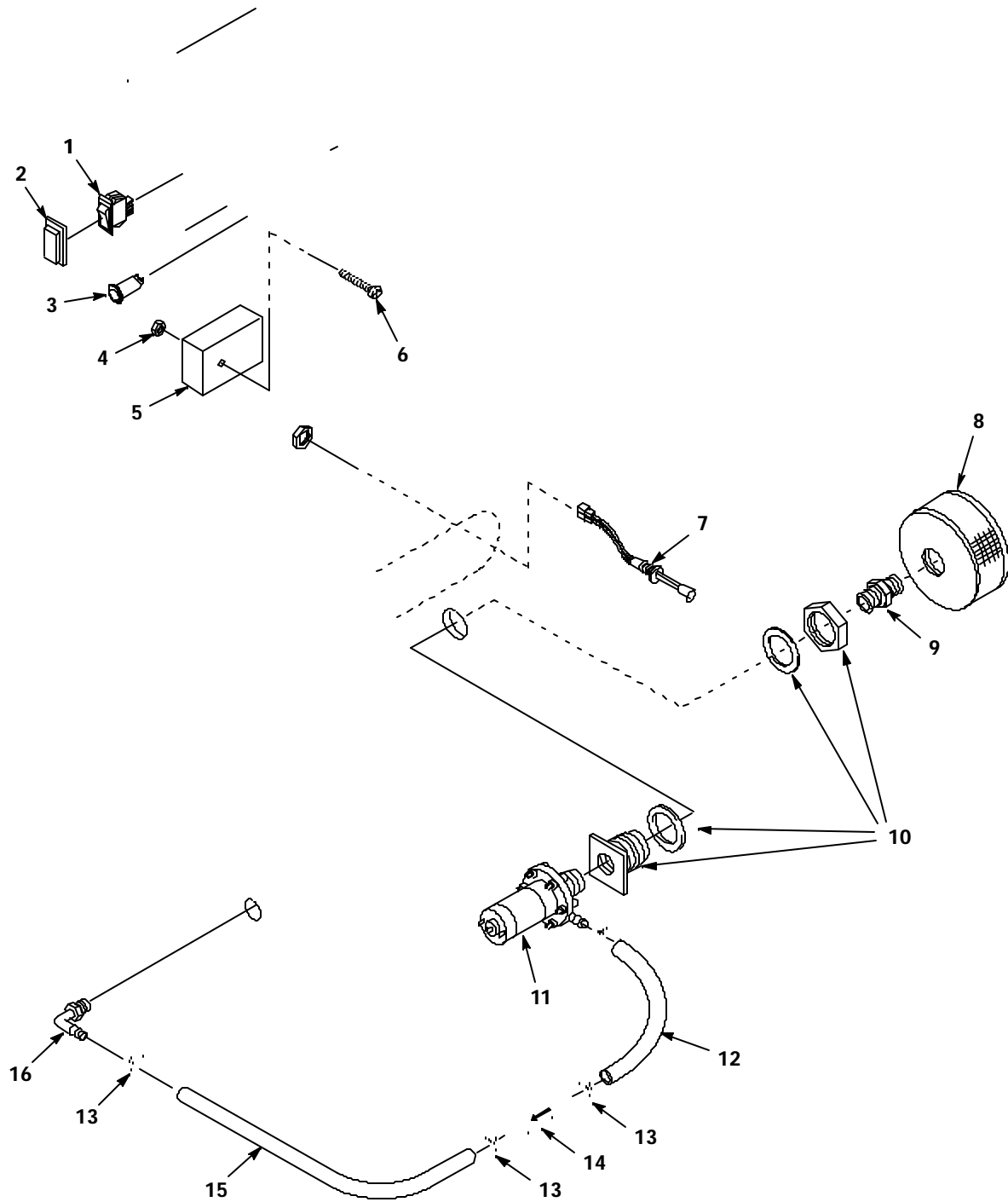
REF	PART #	DESCRIPTION	QTY.
Y 4	140799	SCREW, 5/16-18X1-1/2 TRSPHL	2
Y 5	605034	RETAINER, FRONT STRIP	1
Y 6	370100	DKNOB, 5/16 STAR	2
Y 7	603012	DKNOB, FRONT SQUEEGEE	6
Y 8	630450	WHEEL, 76 DIA X 22	2
Y 9	611489	SCREW, 5/16-18X1-3/4	2
Y 10	605033	SQUEEGEE, BAND ASM REAR	1
Y 11	601108000	NUT, 5/16-18 HXLCK	1
Y 12	630477	DWHEEL	1
Y 13	140028	WASHER, 3/8 FLAT	2
Y 14	600187	SCREW, SHOULDER, 3/8 X 1 1/4	1
Y 15	140283	NUT, M5X.8 NYLOCK	1
Y 16	605069	CLIP, SQUEEGEE BAND	1
Y 17	630389	SCREW, 7/8X45 PANPHL M5	1
Y 18	140506	NUT, 5/16-18	2

∇ ASSEMBLY / CONJUNTO

∇∇ INCLUDED IN ASSEMBLY / INCLUIDO EN EL CONJUNTO

D RECOMMENDED STOCK ITEMS / ARTICULOS RECOMENDADOS PARA MANTENER EN EXISTENCIA

EST KIT
EST JUEGO



Est KIT
Est JUEGO

REF	PART #	DESCRIPTION	QTY.
∇	604780	DKIT, Est	1
∇ 1	630419	DSWITCH, ROCKER	1
∇ 2	578720	DSPLASHGUARD, RCKR SWITCH	1
∇ 3	130738	DLIGHT, INDICATOR GREEN	1
∇ 4	140283	NUT	1
∇ 5	630145	DTIMER, 24VDC, RANGE:30SEC	1
∇ 6	578008000	SCREW	1
∇ 7	603166	DSWITCH, LIQUID LEVEL W/NUT	1
∇ 8	630138	DFILTER, SCREEN	1
∇ 9	630385	FITTING, 3/4M NIPPLE	1

REF	PART #	DESCRIPTION	QTY.
∇ 10	601490	FITTING, 3/4NPT BULKHEAD	1
∇ 11	630136	DPUMP, SOLUTION 24VDC	1
∇ 12	605282	TUBING, 5/8X.5'	1
∇ 13	140310	CLAMP, HOSE	4
∇ 14	210044	DVALVE, CHECK	1
∇ 15	605282	TUBING, 5/8X1.25'	1
∇ 16	150415	FITTING, ELBOW 90°	1
∇N/S	604787	HARNESS, WIRE Est	1
∇N/S	630440	DECAL, REMOVE FILTER	1

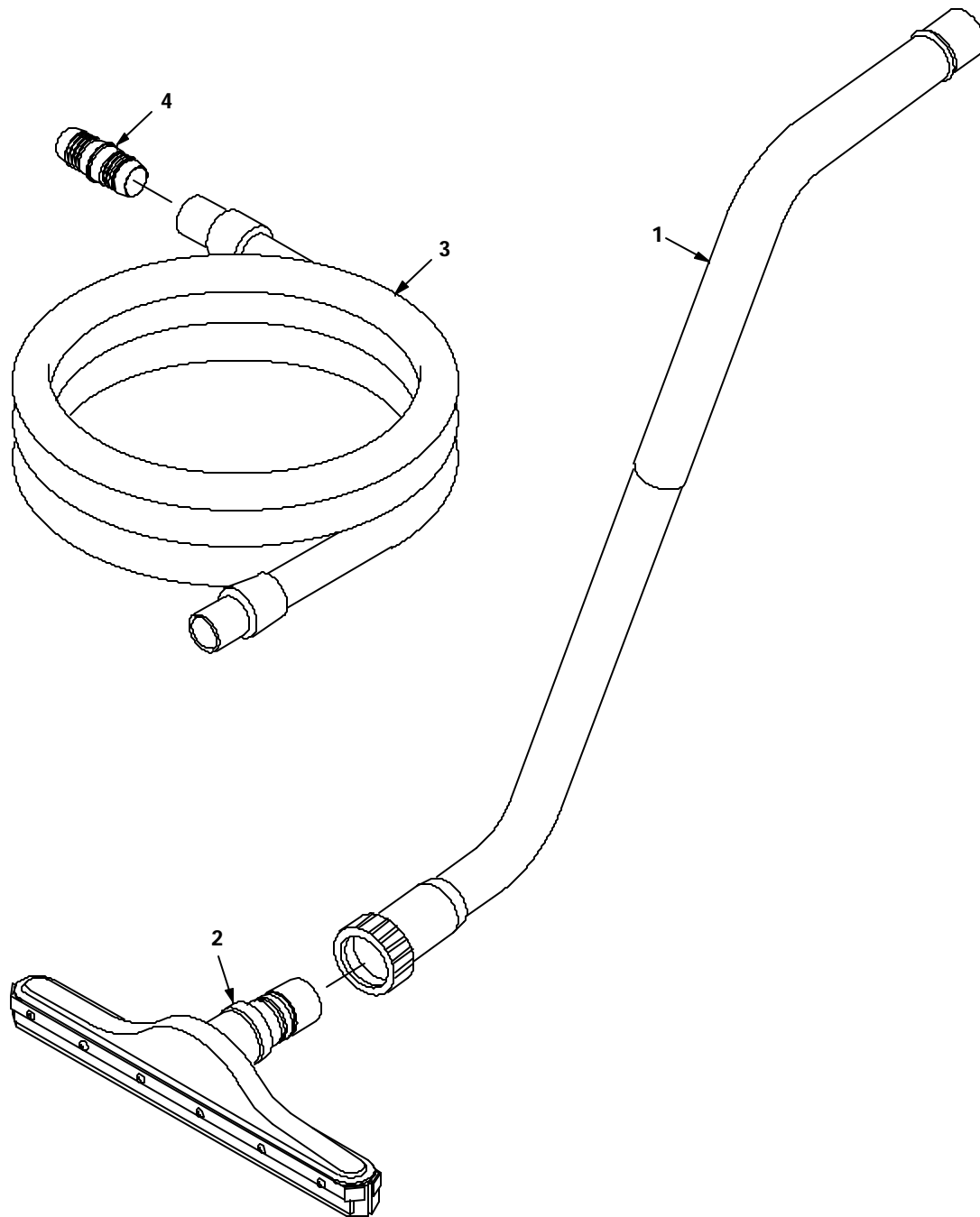
∇ ASSEMBLY / CONJUNTO

∇ INCLUDED IN ASSEMBLY / INCLUIDO EN EL CONJUNTO

D RECOMMENDED STOCK ITEMS / ARTICULOS RECOMENDADOS

N/S = NOT SHOWN

**SQUEEGEE WAND ASSEMBLY
GROUPE D'ASPIRATION ET RACLETTE À MAIN**



REF	PART #	DESCRIPTION	QTY.
∇	190928	DASM, WAND DOUBLE BEND	1
Y 1	6108.1	WAND, DOUBLE BEND	1
Y 2	13840	SQUEEGEE ASM PUSH/PULL	1

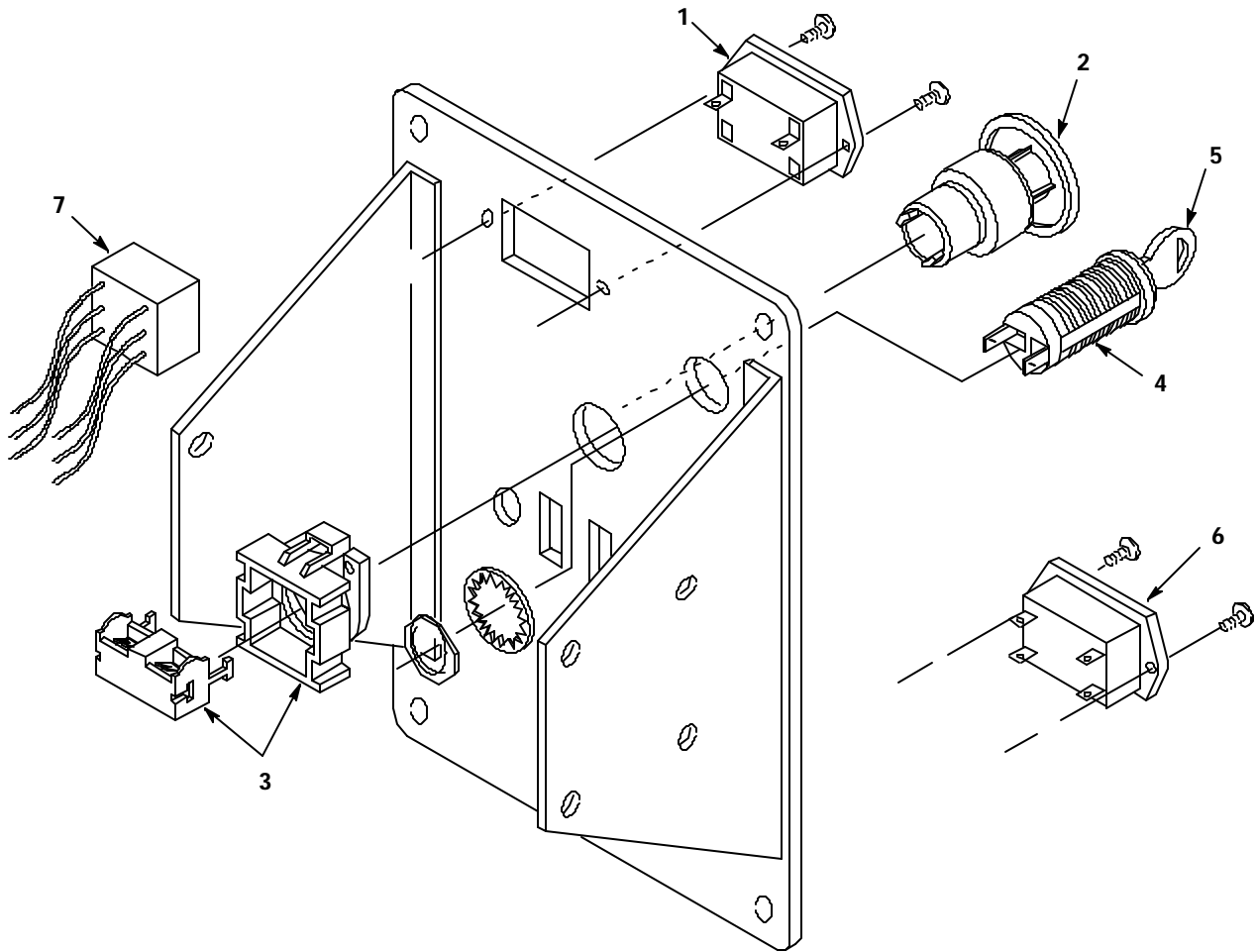
REF	PART #	DESCRIPTION	QTY.
Y 3	160481	DHOSE, VAC 1-1/2X10'	1
Y 4	160451	CONNECTOR, VAC HOSE	1

∇ ASSEMBLY / CONJUNTO

Y INCLUDED IN ASSEMBLY / INCLUIDO EN EL CONJUNTO

D RECOMMENDED STOCK ITEMS / ARTICULOS RECOMENDADOS

**HOUR METER, EMERGENCY STOP, KEYSWITCH AND LOW VOLTAGE KITS
MEDIDOR DE HORA, BOTÓN DE EMERGENCIA, INTERRUPTOR DE LLAVE,
HERRAMIENTAS DE BAJO VOLTAGE**



REF	PART #	DESCRIPTION	QTY.	
▽	602999	DKIT, HOUR METER	1	
∇	1	630143	DMETER, HOUR	1
∇	N/S	603000	ASM., WIRE #18X5" BLU	1
∇	N/S	603004	ASM WIRE #18X5" BLK	1
▽	602995	DKIT, EMERGENCY STOP	1	
∇	2	630100	DSWITCH, EMERGENCY STOP BUTTON	1
∇	3	630097	DSWITCH, CONTACT BLOCK	1
∇	N/S	602996	ASM, WIRE #16X5" RED 1/4FX1/4F	1
∇	N/S	602997	ASM, WIRE #16X5" RED 1/4MX1/4F	1

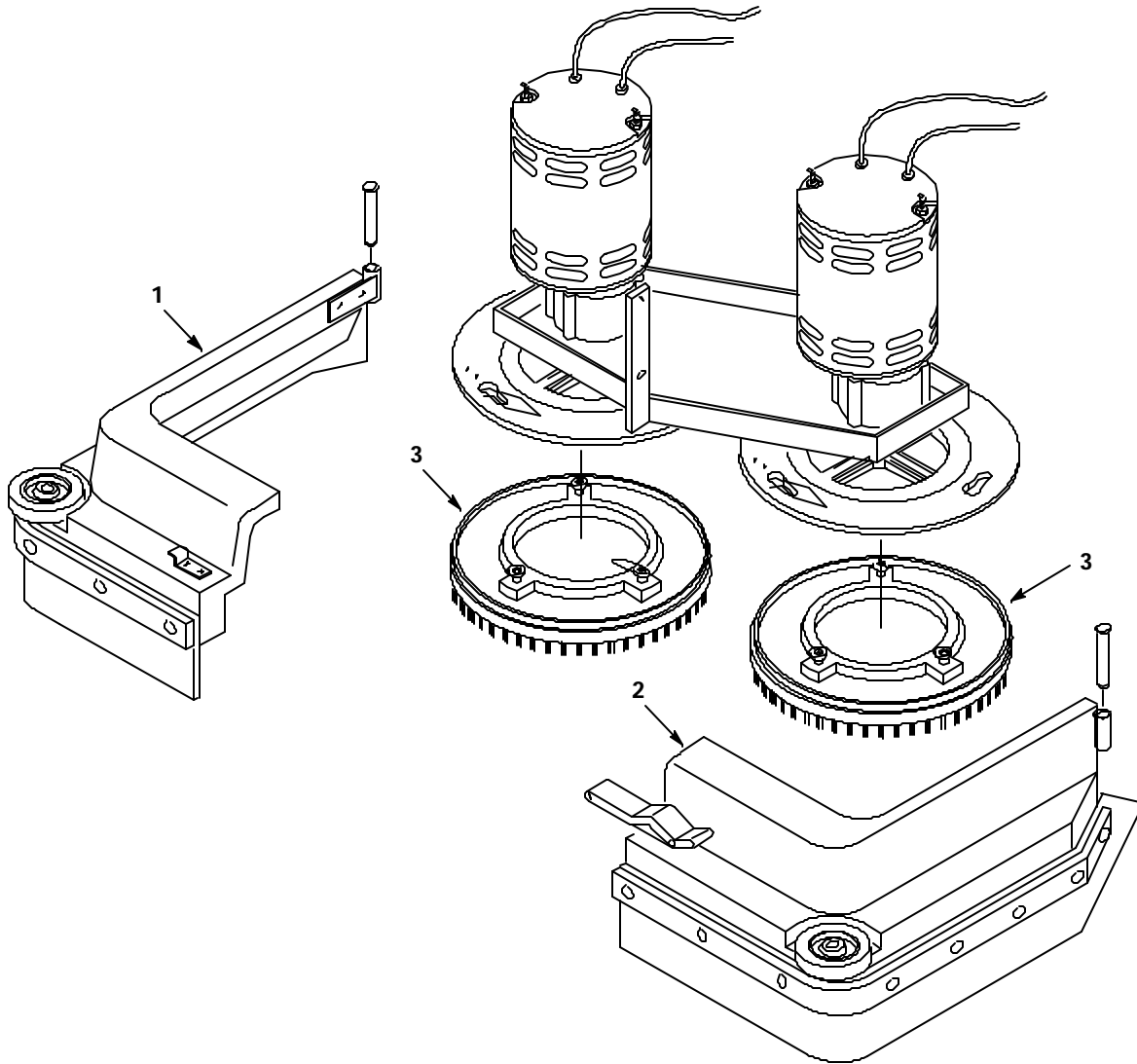
REF	PART #	DESCRIPTION	QTY.	
▽	602993	DKIT, KEYSWITCH	1	
∇▽	4	612462	DSWITCH, KEY	1
∇	5	607821	DKEY, REPLACEMENT	1
▽	603074	DKIT, LOW VOLTAGE CUTOFF	1	
∇	6	603076	DGAUGE, BATTERY 24V	1
∇	7	603314	ASM., RELAYLOWVLTGECUTOFF	1
∇	N/S	603078	ASM., WIRE #18X9" GRN	1
∇	N/S	603080	ASM., WIRE #18X8" BLK	1
∇	N/S	603081	ASM., WIRE #18X12" RED	1
∇	N/S	130040	WIRE TIE	1

▽ ASSEMBLY / CONJUNTO

∇ INCLUDED IN ASSEMBLY / INCLUIDO EN EL CONJUNTO

D RECOMMENDED STOCK ITEMS / ARTICULOS RECOMENDADOS PARA
MANTENER EN EXISTENCIA

CONVERSION KIT
JUEGO DE CONVERSIÓN



**CONVERSION KIT
JUEGO DE CONVERSIÓN**

REF	PART #	DESCRIPTION	QTY.
∇	609794	DKIT, CONVERSION TO 5500 TEAL	1
	609793	DKIT, CONVERSION TO 5520 TEAL	1
∇ 1	609797	ASM., SKIRT OPERATOR RH TEAL (5500)	1
	609795	ASM., SKIRT OPERATOR RH TEAL (5520)	1
∇ 2	609798	ASM., SKIRT OPERATOR LH TEAL (5500)	1
	609796	ASM., SKIRT OPERATOR LH TEAL (5520)	1

REF	PART #	DESCRIPTION	QTY.
∇ 3	240262	DASM., PAD DRIVER 2/PK 305MM / 12" (5500)	2
	602928	DASM., PAD DRIVER 2/PK 330MM / 13" (5520)	2
∇N/S	603262	ASM., SQUEEGEE CURVED (5500)	1
	603263	ASM., SQUEEGEE CURVED (5520)	1
∇N/S	608118	DECAL, "5500"	2
	608119	DECAL, "5520"	2

∇ ASSEMBLY / CONJUNTO

∇ INCLUDED IN ASSEMBLY / INCLUIDO EN EL CONJUNTO

D RECOMMENDED STOCK ITEMS / ARTICULOS RECOMENDADOS PARA
MANTENER EN EXISTENCIA