



Electronic Service Manuals

This electronic document is provided as a service to our customers. We do not create the contents of the information contained in this document. Should you have detailed questions pertaining to the information contained in this document, you may contact Michco, or the manufacturer which provided the original information in this electronic deliverable. Michco's only part in this electronic deliverable was the electronic assembly process. By providing this manual on line we are not guaranteeing parts availability.

You may contact Michco through the following methods:

Phone (517) 484-9312 or (800) 331-3339

2011 N. High St. -- Lansing, Michigan -- 48906

Fax: (517) 484-9836

Email: CustServe@Michco.com

Web site: www.Michco.Com

Parts Web site: www.FloorMachineParts.Com

Order Parts on Line at:

www.FloorMachineParts.Com

Directly to Parts & Service:

By Email: **Shop@Michco.com**

By Fax: (517) 702-2041

By Voice: Use numbers above.

Serving the Cleaning Industry Since 1922

Notice: All copyrighted material remains property of original owners, all trademarks are property of respective owners. Manuals are subject to Manufacturer's reproduction limitations. Originals or reproductions were provided by manufacturers through a request. We make no warranty as to the correctness of information provided in this document and you assume all risk. By placing these manuals on line we are not declaring our corporation to be an manufacturer authorized dealer or provider, please check our web site for authorized manufacturers we represent.



5400

Scrubber Fregadora

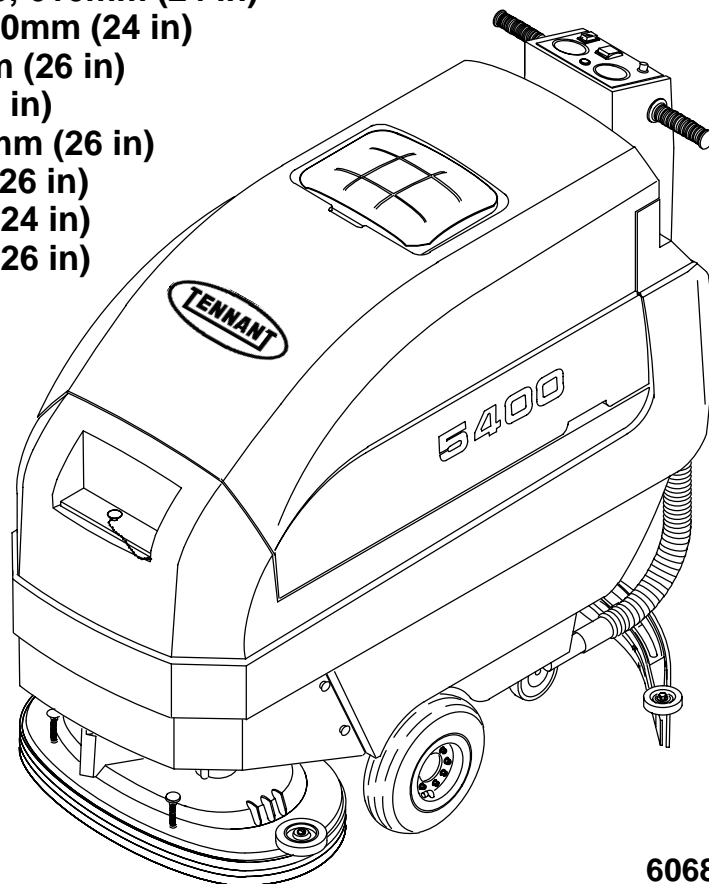


The safe scrubbing alternative™

Model No.:

- 606931 - Disc Standard, 610mm (24 in)
- 606932 - Disc ES™, 610mm (24 in)
- 607525 - Disc Wand Prep, 610mm (24 in)
- 606933 - Disc Deluxe, 610mm (24 in)
- 606934 - Cylindrical Standard, 610mm (24 in)
- 606935 - Cylindrical ES™, 610mm (24 in)
- 607526 - Cylindrical Wand Prep, 610mm (24 in)
- 606936 - Cylindrical Deluxe, 610mm (24 in)
- 610877 - Disc Standard, 660mm (26 in)
- 610878 - Disc ES™, 660mm (26 in)
- 610879 - Disc Wand Prep, 660mm (26 in)
- 610880 - Disc Deluxe, 660mm (26 in)
- 398040 - Disc FaST™, 610mm (24 in)
- 398041 - Disc FaST™, 660mm (26 in)

Operator and Parts Manual Manual del Operador y Piezas



TENNANT COMPANY
701 NORTH LILAC DRIVE
MINNEAPOLIS, MN 55422

MAILING ADDRESS:
TENNANT COMPANY
P.O. BOX 1452
MINNEAPOLIS, MN 55440-1452

CUSTOMER SERVICE:
1-800-982-7658
1-763-513-2850

FAX: 1-800-678-4240
1-763-513-2142

TECHNICAL SUPPORT:
1-800-522-7839 EXT. 5356

**606862
Rev. 06 (05-03)**

OPERATION

This manual is furnished with each new 5400 model. It provides necessary operating and maintenance instructions and an illustrated parts list.

Read this manual completely and understand the machine before operating or servicing.

When ordering replacement parts, use the parts lists section in this manual. Before ordering parts or supplies, be sure to have your machine model number and serial number available. Parts and supplies may be ordered by phone or mail from any authorized Service Center or Distributor.

This machine will provide excellent service. However, the best results will be obtained at minimum costs if:

- The machine is operated with reasonable care.
- The machine is maintained regularly - per the machine maintenance instructions provided.
- The machine is maintained with manufacturer supplied or equivalent parts.

MACHINE DATA

Please fill out at time of installation for future reference.

Model No.- _____

Install. Date - _____

Serial No.- _____

©1998, 1999, 2000, 2001, 2002, 2003 Tennant Company Printed in U.S.A.

FaST™, The safe scrubbing alternative™ and ES™ are United States trademarks of Tennant Company.

TABLE OF CONTENTS (ESPAÑOL ÍNDICE....35)


SAFETY PRECAUTIONS	4	MACHINE JACKING	26
SAFETY LABELS	5	TRANSPORTING MACHINE	27
MACHINE COMPONENTS	6	STORING MACHINE	27
CONTROL CONSOLE SYMBOLS	7	FREEZE PROTECTION	27
MACHINE INSTALLATION	8	FaST™ SYSTEM FREEZE PROTECTION .	27
UNCRATING MACHINE	8	RECOMMENDED STOCK ITEMS	29
INSTALLING BATTERIES	8	TROUBLESHOOTING	30
MACHINE SETUP	9	SPECIFICATIONS	32
ATTACHING SQUEEGEE ASSEMBLY	9	MACHINE DIMENSIONS	33
INSTALLING BRUSHES/PADS –		ELECTRICAL DIAGRAMS	69
DISC SCRUB HEAD MODEL	9	PARTS LIST	72
INSTALLING BRUSHES/PADS –		REPLACEMENT BRUSH AND PAD	
CYL. BRUSH SCRUB HEAD MODEL	10	DRIVER GROUP	72
INSTALLING FaST™ PAK AGENT (OPTION)	10	SOLUTION TANK GROUP	74
FILLING SOLUTION TANK	11	RECOVERY TANK GROUP	76
MACHINE OPERATION	11	CONSOLE GROUP	78
PRE-OPERATION CHECKS	11	CONSOLE PANEL GROUP	80
OPERATING MACHINE	11	DRIVE GROUP	82
EMERGENCY STOPPING (OPTION)	13	SCRUB HEAD ACTUATOR GROUP	84
OPERATING FaST™ SCRUB		DISC SCRUB HEAD GROUP, 610mm (24 in)	86
SYSTEM (OPTION)	13	DISC SCRUB HEAD GROUP, 660mm (26 in)	88
OPERATING ES™ (OPTION)	14	CYLINDRICAL BRUSH SCRUB HEAD GROUP	
WHILE OPERATING MACHINE	14	610mm (24 in)	90
OPERATING OFF-AISLE WAND (OPTION) .	15	SOLUTION FLOW GROUP	94
CIRCUIT BREAKERS / FUSE	16	SQUEEGEE CONTROL GROUP	96
HOUR METER	16	SQUEEGEE ASSEMBLY GROUP – STD.	
DRAINING TANKS	16	WIDTH, 838mm (33 in)	98
ADJUSTING SCRUB HEAD	17	BATTERY AND CHARGER GROUP	100
DISC BRUSH SCRUB HEAD	17	BATTERY CABLE GROUP	101
CYLINDRICAL BRUSH SCRUB HEAD	17	OPTIONS	102
REMOVING BRUSHES/PADS	19	SQUEEGEE ASSEMBLY GROUP –	
DISC SCRUB HEAD	19	EXTRA WIDE, 940mm (37 in)	102
CYLINDRICAL SCRUB HEAD	19	SQUEEGEE ASSEMBLY GROUP –	
CHANGING SCRUB HEADS	20	NARROW AISLE, 736mm (29 in)	104
CHARGING BATTERIES	21	ACCESSORY CONSOLE GROUP	106
MACHINE MAINTENANCE	22	ES™ SOLUTION GROUP	108
DAILY MAINTENANCE	22	WAND SOLUTION GROUP	109
WEEKLY MAINTENANCE	23	HARD FLOOR WAND ASSEMBLY	110
MONTHLY MAINTENANCE	24	HOSE ASSEMBLY	112
QUARTERLY MAINTENANCE	24	FaST™ CONSOLE PANEL GROUP	113
SQUEEGEE BLADES	25	FaST™ SOLUTION GROUP	114
BATTERY MAINTENANCE	25	FaST™ SOLUTION PUMP BREAKDOWN ..	116
		FaST™ AIR PUMP BREAKDOWN	116

SAFETY PRECAUTIONS

This machine is intended for commercial use. It is designed exclusively to scrub hard floors in an indoor environment and is not constructed for any other use. Use only recommended commercially available floor cleaners intended for machine application.

All operators must read, understand and practice the following safety precautions.

The following warning alert symbol and the "FOR SAFETY" heading are used throughout this manual as indicated in their description:

 **WARNING:** To warn of hazards or unsafe practices which could result in severe personal injury or death.

FOR SAFETY: To identify actions which must be followed for safe operation of equipment.

Failure to follow these warnings may result in: personal injury, electrocution, electrical shock, fire or explosion.

 **WARNING:** Do Not Use Flammable Liquids Or Operate Machine In Or Near Flammable Liquids, Vapors Or Combustible Dusts.

This machine is not equipped with explosion proof motors. The electric motors will spark upon start up and during operation which could cause a flash fire or explosion if machine is used in an area where flammable vapors/liquids or combustible dusts are present.

 **WARNING:** Do Not Pick Up Flammable Materials Or Reactive Metals.

 **WARNING:** Keep Sparks And Open Flame Away. Keep Battery Hood Open When Charging.

 **WARNING:** Disconnect Battery Cables Before Servicing Machine.

 **WARNING:** Moving Parts. Turn Off Power Before Working On Machine.

 **WARNING:** Moving parts. Turn off power before working on machine.

 **WARNING:** Actuator pinch point. Stay clear of head lift area.

The following information signals potentially dangerous conditions to the operator or equipment:

FOR SAFETY:

1. Do not operate machine:
 - With flammable liquids or near flammable vapors as an explosion or flash fire may occur.
 - Unless trained and authorized.
 - Unless operation manual is read and understood.
 - If not in proper operating condition.
2. Before starting machine:
 - Make sure all safety devices are in place and operate properly.
3. When using machine:
 - Go slow on inclines and slippery surfaces.
 - Wear no-slip shoes.
 - Use care when reversing machine.
 - Report machine damage or faulty operation immediately.
 - Never allow children to play on or around.
 - Follow mixing and handling instructions on chemical containers.
4. Before leaving or servicing machine:
 - Stop on level surface.
 - Turn off machine.
5. When servicing machine:
 - Avoid moving parts. Do not wear loose jackets, shirts, or sleeves.
 - Use hoist or jack that will support the weight of the machine.
 - Block machine tires before jacking up.
 - Wear eye and ear protection when using pressurized air or water.
 - Disconnect battery connections before working on machine.
 - Wear protective gloves and safety glasses when handling batteries or battery cables.
 - Avoid contact with battery acid.
 - Use manufacturer supplied or approved replacement parts.
 - All repairs must be performed by a qualified service person.
 - Do not modify the machine from its original design.
6. When transporting machine:
 - Turn machine off.
 - Get assistance when lifting machine.
 - Do not lift machine when batteries are installed.

- Use a recommended ramp when loading/unloading into/off truck or trailer.
- Use tie-down straps to secure machine to truck or trailer.

SAFETY LABELS

The safety labels appear on the machine in the locations indicated. Replace labels if they become damaged or illegible.

WARNING LABEL – LOCATED ON THE RECOVERY TANK COVER.



GENERAL HAZARD LABEL – LOCATED ON THE ACTUATOR MOUNTING BRACKET

⚠ WARNING: Actuator pinch point. Stay clear of head lift area.



MOVING PARTS LABEL – LOCATED ON THE SCRUB HEAD SHROUD.

⚠ WARNING: Moving parts. Turn off power before working on machine.

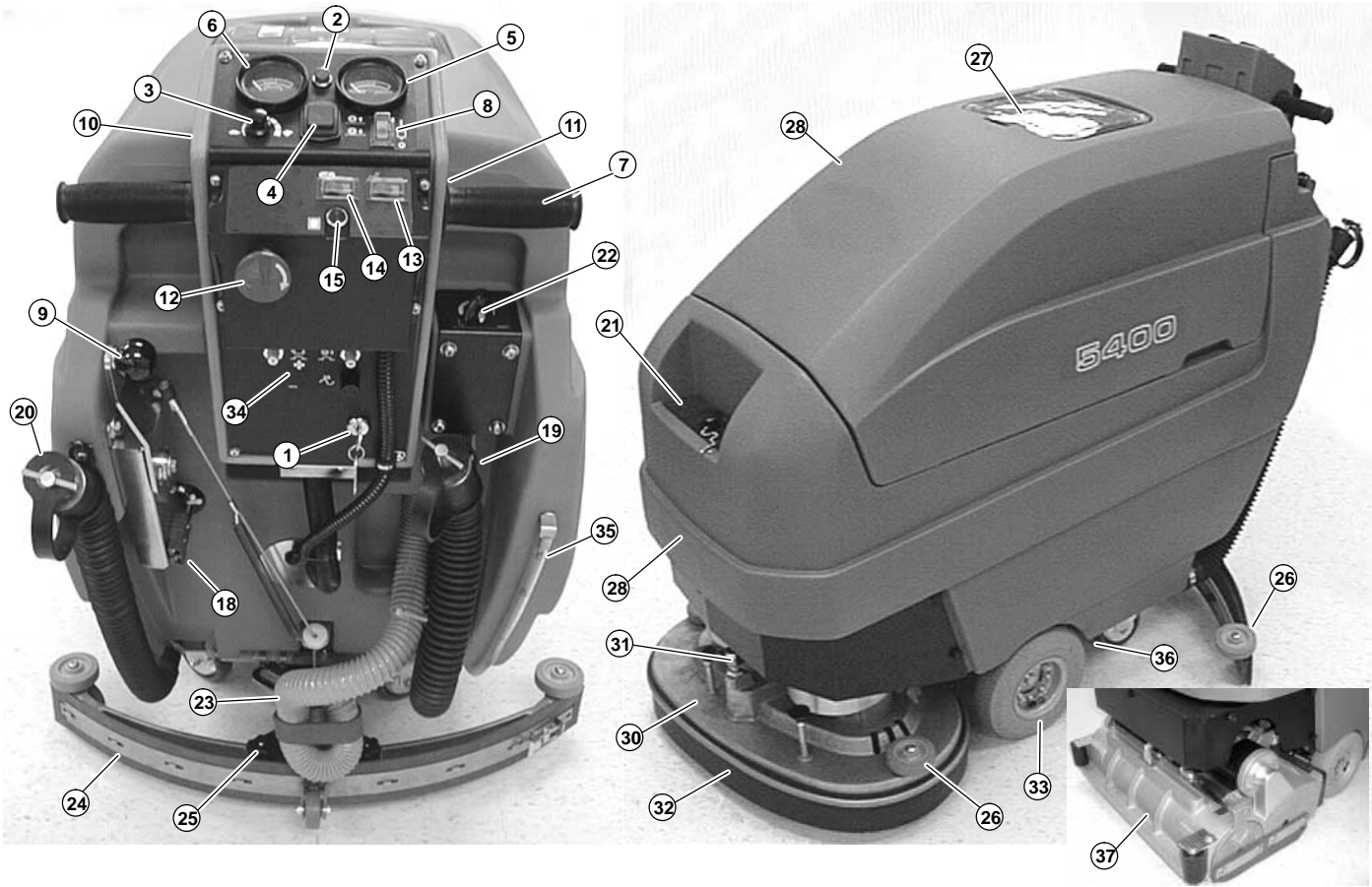
BATTERY CHARGE LABEL – LOCATED ON THE RECOVERY TANK COVER AND BOTTOM SIDE OF RECOVERY TANK.

⚠ WARNING: Keep sparks and open flame away. Keep battery hood open when charging.

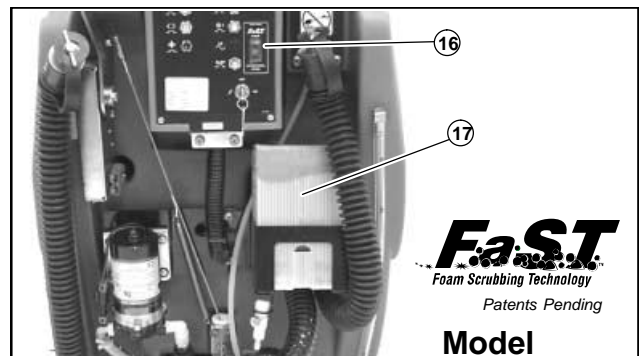


OPERATION

MACHINE COMPONENTS




1. Key Switch
2. Power ON/OFF Indicator Light
3. Speed Control Knob
4. Brush Pressure Switch
5. Brush Pressure Meter
6. Battery Meter
7. Control Grips
8. Solution ON/OFF Switch
9. Squeegee Lift Lever
10. Control Console
11. Control Console Height Adjustment Lever
12. Power Kill Button (Option)
13. Wand ON/OFF Switch (Option)
14. ES™ ON/OFF Switch (Option)
15. ES™ Pump Indicator Light (Option)
16. FaST™ System ON/OFF Switch (Option)
17. FaST™ PAK Dispensing System (Option)
18. Charger Plug
19. Recovery Tank Drain Hose
20. Solution Tank Drain Hose
21. Solution Fill Port
22. Solution Flow Adjustment Knob
23. Squeegee Vacuum Hose
24. Squeegee Assembly



25. Squeegee Thumb Knobs
26. Wall Rollers
27. Recovery Tank Lid
28. Recovery Tank
29. Solution Tank
30. Interchangeable Disc Scrub Head
31. Scrub Head Leveling Screw
32. Scrub Head Skirt
33. Drive Wheels
34. Circuit Breaker Panel
35. Solution Tank Level Hose
36. Parking Brake (Option)
37. Interchangeable Cylindrical Brush Scrub Head

CONTROL CONSOLE SYMBOLS

 Main Power Indicator Light



FaST™ System Switch (option)



Vacuum Motor 25A Circuit Breaker


 Slow Speed



Main Power 10A Circuit Breaker



ES™ (Extended Scrub)

 Fast Speed



Brush Motor (RH) 30A Circuit Breaker



ES™ Pump Indicator Light


 Brush Pressure Switch



Brush Motor (LH) 30A Circuit Breaker



Off-Aisle Wand

 Solution Switch & Solution Control



Circuit Board 2A Fuse



Parking Brake (Option)

 Brush Pressure Meter



Drive Motor 15A Circuit Breaker



Read Manual Before Operating

 Battery Charge Meter



FaST™ System 10A Circuit Breaker (option)

OPERATION

MACHINE INSTALLATION

UNCRATING MACHINE

1. Carefully check carton for signs of damage. Report damages at once to carrier.
2. Check Carton Contents list, contact distributor for missing items.

Carton Contents:

- Battery Tray
- 4 Batteries, 235 Ah 6 V
- 3 Battery Cables
- 8 Battery Post Covers
- 8 Battery Cable Rubber Boots
- Squeegee Assembly
- Battery Charger (Packaged Separately)

Scrub brushes, pad drivers and pads must be purchased separately (See PARTS LIST section).

3. To uncrate your machine: unbolt rear of chassis from shipping pallet, remove shipping straps and carefully lift machine with assistance or use a ramp to remove from pallet.

ATTENTION: Do not roll machine off pallet, machine damage may occur.

ATTENTION: To prevent possible machine damage, install batteries after removing machine from shipping pallet.

INSTALLING BATTERIES

⚠ WARNING: Keep Sparks And Open Flame Away. Keep Battery Hood Open When Charging.

FOR SAFETY: When servicing machine, wear protective gloves and safety glasses when handling batteries and battery cables. Avoid contact with battery acid.

Recommended Battery Specifications:

Four 6 volt, deep cycle, 235 amp. hour batteries.
Maximum battery dimensions are 181 mm (7.13 in) W x 260 mm (10.25 in) L x 292 mm (11.50 in) H.

1. Remove key from machine and set parking brake, if equipped.

2. Hinge open recovery tank to access battery compartment. Remove loose battery cables from compartment (Figure 1).

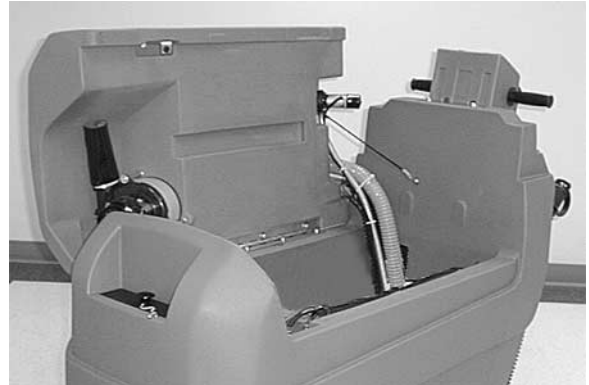


FIG. 1

3. Carefully install batteries into battery compartment tray and arrange battery posts as shown (Figure 2).

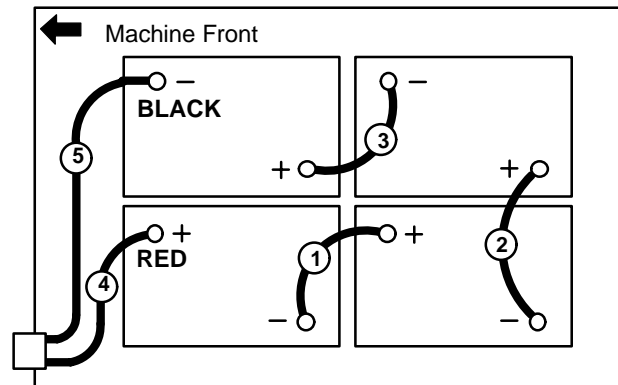


FIG. 2

ATTENTION: Do not drop batteries into compartment, battery and machine housing damage may result. This damage is not covered by warranty.

4. Before connecting battery cables, make sure terminals and posts are clean. Use a post cleaner and wire brush to clean posts and terminals.
5. Connect cables to battery posts in numerical order as labeled, RED TO POSITIVE & BLACK TO NEGATIVE, use battery post covers and rubber boots supplied (Figure 2).

NOTE: Apply a light coating of non-metallic grease or protective spray on the cable connections to prevent battery corrosion.

6. Check battery meter charge level. Machine must be in full operation for correct reading (See MACHINE OPERATION). Charge batteries if necessary.

MACHINE SETUP

ATTACHING SQUEEGEE ASSEMBLY

1. Turn key to the off position.

FOR SAFETY: Before leaving or servicing machine, stop on level surface, turn off machine, and set parking brake, if equipped.

2. Raise squeegee mount bracket using squeegee lift lever (Figure 3).



FIG. 3

3. Loosen two thumb knobs on squeegee and slide squeegee into slots of squeegee mount bracket. Tighten thumb knobs securely (Figure 4).

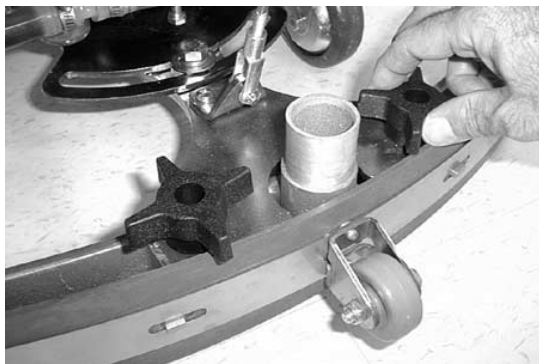


FIG. 4

4. Connect vacuum hose to squeegee assembly, make sure vacuum hose forms a trap using rubber band provided (Figure 5).

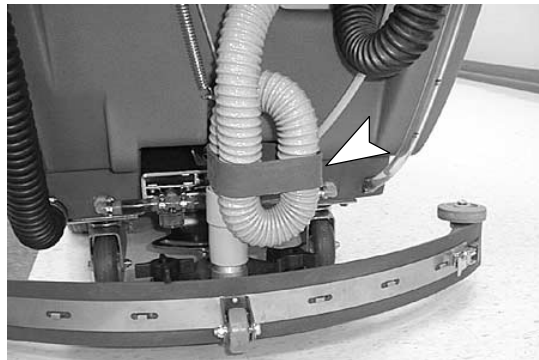


FIG. 5

INSTALLING BRUSHES/PADS (DISC Scrub Head Model)

NOTE: Consult an authorized distributor for pad/brush recommendations.

1. Press bottom half of brush pressure switch until scrub head is completely raised (Figure 6).



FIG. 6

2. Turn key to the off position.

FOR SAFETY: Before leaving or servicing machine, stop on level surface, turn off machine, and set parking brake, if equipped.

3. Attach pads to pad drivers before installing drivers. Secure pad with centerlock (Figure 7).

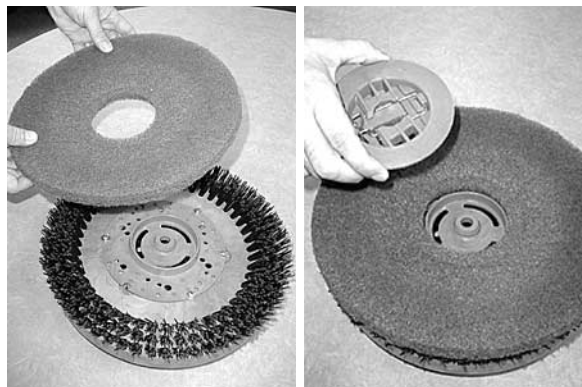


FIG. 7

OPERATION

- Align brush/pad driver under motor hub and push driver upward to engage. Be certain that brushes/pad drivers are secure before operating machine (Figure 8).



FIG. 8

- To remove brush/pad drivers: raise scrub head, turn machine off, remove key and push brush release knobs downward (Figure 9).

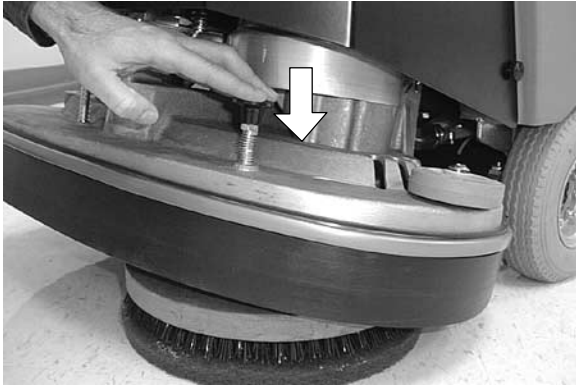


FIG. 9

(For Cylindrical Brush Scrub Head Model)

See REMOVING BRUSHES/PADS.

INSTALLING FaST™ PAK AGENT (OPTION)

Machine must be equipped with the FaST™ Option.

- Remove the perforated knock-outs from the FaST™ PAK 365 Floor Cleaning Concentrate carton. Do not remove the bag from the carton. Pull out the bag's hose connector at the bottom of the bag and remove the orange hose cap from the connector (Figure 10).

ATTENTION: The FaST™ PAK 365 Floor Cleaning Concentrate is specifically designed for the FaST™ system scrubbing application. NEVER use a substitute, machine damage will result.

FOR SAFETY: When using machine, always follow the handling instructions on chemical container.

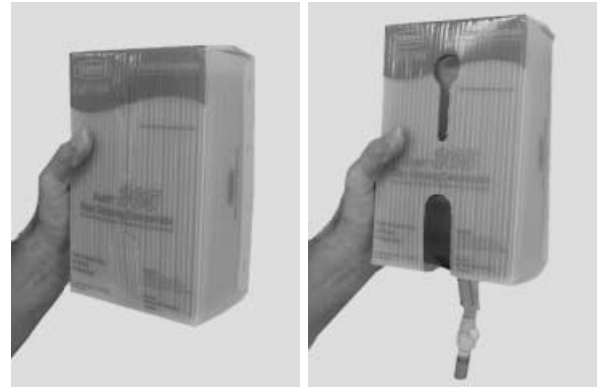


FIG. 10

- Place the FaST™ PAK carton in the carton holder at the rear of the machine and connect the supply hose to the FaST™ PAK bag (Figure 11).

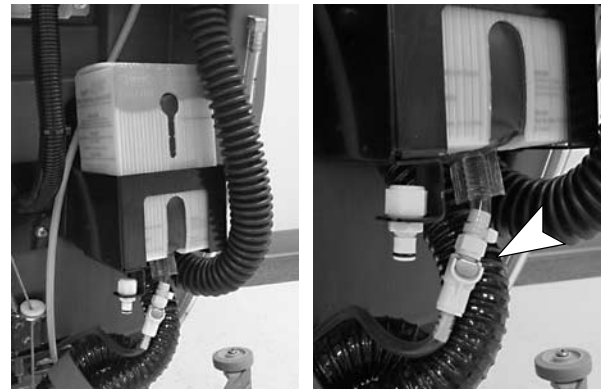


FIG. 11

NOTE: If any dried concentrate is visible on the supply hose connector or on the FaST™ PAK connector, soak and clean with warm water.

- Make sure to connect the supply hose onto the hose storing plug when not in use (Figure 12). This will prevent the FaST™ solution system from drying out and clogging up the supply hose.



FIG. 12

- The FaST™ solution system MUST be primed for first time use. To prime system, make sure the solution tank is empty and operate the machine in the FaST™ Scrub Mode for 3 minutes (See MACHINE OPERATION). **This step is only required for first time FaST™ system use.**

FILLING SOLUTION TANK

ATTENTION: When using FaST™ system (Option). **USE CLEAR COOL WATER ONLY. DO NOT** add cleaning agents in solution tank. Conventional cleaning agents/restorers may cause failure to the FaST™ solution system.

1. Transport machine to filling station. Raise squeegee and scrub head when transporting.
2. Turn key to the off position.

FOR SAFETY: Before leaving or servicing machine, stop on level surface, turn off machine, and set parking brake, if equipped.

3. Remove fill-port cover at front of machine and fill solution tank with clean water, 60°C (140°F) maximum. The clear hose at rear of machine indicates amount of water in solution tank (Figure 13).



FIG. 13

4. For conventional scrubbing, pour a recommended cleaning detergent into the solution tank according to mixing instructions on bottle. For FaST™ scrubbing (Option), **DO NOT** add cleaning agents in solution tank.

FOR SAFETY: When using machine, follow mixing and handling instructions on chemical containers.

ATTENTION: Use only recommended cleaning detergents for conventional scrubbing, **DO NOT** use substitutes. Consult an authorized distributor for cleaning detergent recommendations.

⚠ WARNING: Do Not Use Flammable Liquids Or Operate Machine In Or Near Flammable Liquids, Vapors Or Combustible Dusts.

5. If equipped with ES™ option, pour between 19 and 38 liters (5 and 10 gal) of hot water, 60°C (140°F) maximum, into recovery tank (Figure 14) (See OPERATING ES™ OPTION).



FIG. 14

MACHINE OPERATION

FOR SAFETY: Do not operate machine, unless operation manual is read and understood.

PRE-OPERATION CHECKS

1. Sweep and dust-mop floor (disc brush model only).
2. Check battery meter's charge level, machine must be in full operation for correct reading.
3. Check that pads/brushes are installed.
4. Lower pads/brushes to floor and check that scrub skirt touches floor all the way around scrub head.
5. Check that squeegee is installed and condition of squeegee blades.
6. Check that debris trough is installed and empty (cylindrical brush model).
7. FaST™ Scrubbing (option): Make sure that the solution tank is filled with **clear cool water only**. All conventional cleaning agents/restorers must be drained and rinsed from solution tank. Check FaST™ PAK agent level, replace carton as needed.

OPERATING MACHINE

NOTE: If your machine is equipped with the FaST™ or ES™ Option, refer to pages 13 and 14 for additional operation procedures.

1. Release parking brake, if equipped (Figure 15).



FIG. 15

OPERATION

2. Adjust control console to a comfortable operating height, 5 settings. To adjust height, pull control console trigger and lift or lower console to desired height, release trigger to lock position (Figure 16).



FIG. 16

3. Turn the key and solution switch to the ON position.
4. To conventional scrub with a FaST™ model, make sure the FaST™ system switch is in the off (O) position (Figure 17).



FIG. 17

5. Lower squeegee assembly to floor using the squeegee lift lever, vacuum motor will automatically turn on (Figure 18).



FIG. 18

6. Press top half of brush pressure switch to lower scrub head to floor (Figure 19).



FIG. 19

NOTE: The brushes and solution will start when control grips are rotated.

7. Turn speed control knob to slowest setting (Figure 20).



FIG. 20

8. Rotate control grips completely forward and gradually turn speed control knob to a desired maximum scrubbing speed (Figure 21).

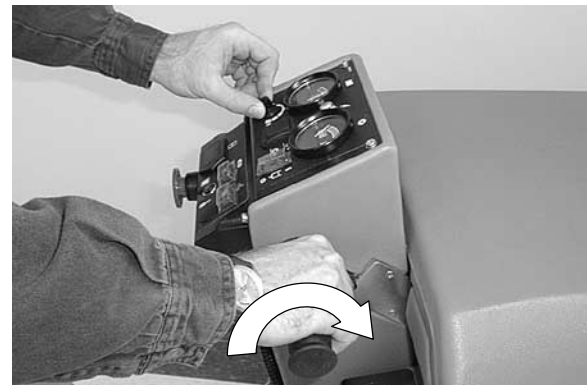


FIG. 21

- Turn solution flow knob to desired solution flow rate (Figure 22).

NOTE: When scrubbing with the FaST™ Option, the solution flow is pre-set by the FaST™ system.



FIG. 22

- Observe brush pressure meter while operating. Meter should read within the green zone, press brush pressure switch to adjust (Figure 23).

ATTENTION: Do not operate machine with pad pressure meter in red zone, circuit breakers will trip and floor damage may occur.

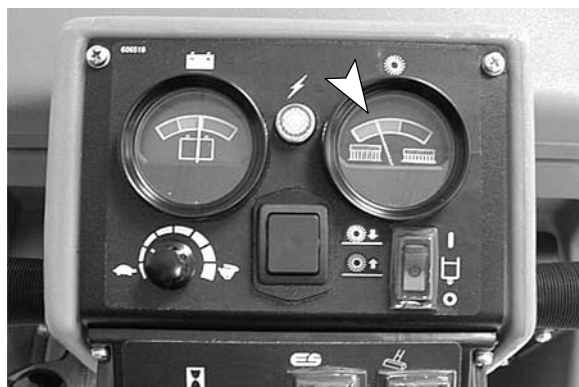


FIG. 23

- To operate machine in reverse, gradually rotate control grips backwards.
- To stop scrubbing, release control grips, raise scrub head and squeegee.
- After scrubbing, perform the Daily Maintenance procedures (See MACHINE MAINTENANCE).

EMERGENCY STOPPING (OPTION)

In the event of an emergency while operating, strike the power kill button at rear of control console to halt machine. Turn button clockwise to reset (Figure 24).



FIG. 24

OPERATING FaST™ SCRUB SYSTEM (OPTION)

How the FaST™ System operates (Foam Scrubbing Technology). The FaST™ PAK concentrate agent is injected into the system with a mixture of a small amount water and compressed air. This mixture creates a large volume of expanded wet foam. The expanded foam mixture is then dispersed onto the floor while two scrubbing discs go to work. By the time the squeegee picks up the mixture, the patented foaming agent has collapsed and recovered into the recovery tank. By performing the FaST™ system application, you can increase your productivity rate by 30% by reducing your dump/fill cycle. You will also reduce your chemical usage and storage space. One FaST™ PAK of concentrated agent allows you to scrub up to 1 million sq. ft.

- Make sure that the FaST™ PAK 365 Floor Cleaning Concentrate carton is properly installed (See INSTALLING FaST™ PAK AGENT).
- Make sure that the solution tank is filled with clear cool water only. DO NOT add conventional cleaning agents in solution tank. Conventional cleaning agents/restorers in the solution tank will result in premature FaST™ system failure.

OPERATION

3. Press the FaST™ system switch to the on (I) position (Figure 25).

NOTE: To scrub with clear water only, simply press the FaST system switch to the off (O) position. This will allow you to operate the machine in a rinsing application.



FIG. 25

4. Make sure that the main solution switch is in the ON position.

NOTE: The water flow rate from the solution tank is automatically regulated by the operation of the FaST™ system. The solution flow rate can not be adjusted by the Solution Control Adjustment Knob during the FaST™ Scrub mode.

5. Follow the standard MACHINE OPERATION instructions to begin scrubbing.

General Information: The FaST™ and ES™ options can not be equipped on the same machine.

OPERATING ES™ (OPTION)

ES™ option extends scrubbing time by reusing recovered water. The recovered water is filtered and recycled back into the solution tank for reuse.

NOTE: The ES™ Option is not available for FaST™ models.

1. Pour between 19 and 38 liters (5 and 10 gal) of hot water, 60°C (140°F) maximum, into recovery tank when filling solution tank (Figure 26).

⚠ WARNING: Do Not Use Flammable Liquids Or Operate Machine In Or Near Flammable Liquids, Vapors Or Combustible Dusts.



FIG. 26

2. Turn ES™ switch on when ready to begin scrubbing. The ES™ indicator light will automatically turn on and off when recovery tank reaches its recycling point (Figure 27).



FIG. 27

NOTE: If ES™ indicator light remains on, drain tanks and clean ES™ filter located in recovery tank.

3. Follow the standard MACHINE OPERATION instructions to begin scrubbing.

WHILE OPERATING MACHINE

FOR SAFETY: When using machine, go slow on inclines and slippery surfaces.

1. Overlap each path by 50 mm (2 in).
2. Keep machine moving to prevent damage to finish or floor.
3. Observe brush pressure meter while operating. Meter should read within the green zone, press brush pressure switch to adjust.

ATTENTION: Do not operate machine with pad pressure meter in red zone, circuit breakers will trip and floor damage may occur.

4. Periodically observe recovery tank for excessive foam. Pour a recommended foam control solution into recovery tank if excessive foam appears.

ATTENTION: Do not allow foam or water to enter float shut-off screen, vacuum motor damage will result; not covered by warranty. Foam will not activate float shut-off screen.

5. For heavily soiled areas, double scrubbing is recommended. First scrub area with squeegee up, let solution set for 3–5 minutes, then scrub area a second time with squeegee down.
6. Disc Scrub Head: Change or turn pads over when worn.
7. Cylindrical Brush Scrub Head: If you experience excessive brush vibration or poor scrubbing performance, see ADJUSTING SCRUB BRUSH.
8. If squeegee leaves streaks, raise and wipe blades with a cloth. Pre-sweep area to prevent streaking.
9. Observe battery meter. When needle drops into red zone, stop scrubbing and recharge batteries.

ATTENTION: Do not operate machine with battery meter in red zone, battery damage will result.

⚠ WARNING: Do Not Pick Up Flammable Materials Or Reactive Metals.

OPERATING OFF-AISLE WAND (OPTION)

The off-aisle wand allows you to scrub areas that the machine is unable to reach.

NOTE: The off-aisle wand Option is not available for FaST™ models.

1. Turn key to the off position and set parking brake, if equipped.

FOR SAFETY: Before leaving or servicing machine, stop on level surface, turn off machine, and set parking brake, if equipped.

2. Connect solution hose to quick disconnect coupler located behind right drive wheel (Figure 28).

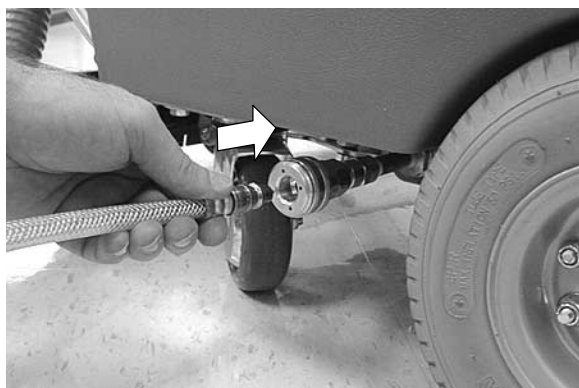


FIG. 28

3. Disconnect squeegee vacuum hose from squeegee assembly and connect wand's vacuum hose using hose adapter (Figure 29).

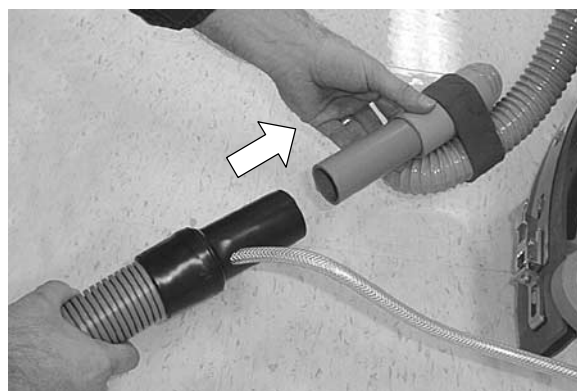


FIG. 29

4. Connect hoses to wand.
5. Turn key and wand switch to the on position (Figure 30).



FIG. 30

6. Lower squeegee lever knob to activate vacuum motor (Figure 31).



FIG. 31

OPERATION

7. Squeeze lever on wand and spray solution on floor. Scrub floor with brush side of wand and vacuum up solution with squeegee side of wand (Figure 32).

⚠ WARNING: Do Not Pick Up Flammable Materials Or Reactive Metals.



FIG. 32

CIRCUIT BREAKERS / FUSE

The 5400 is equipped with five resettable circuit breakers and one fuse to protect machine from damage. If a circuit breaker should trip during operation, determine cause, allow motor to cool and then manually reset breaker. If replacing the fuse, never substitute a higher fuse than specified. Circuit breaker panel is located at rear of machine (Figure 33).

- 10A Main Circuit Breaker
- 15A Drive Motor Circuit Breaker
- 25A Vacuum Motor Circuit Breaker
- 30A Brush Motor Circuit Breaker (2)
- 2A Circuit Board Fuse
- 10A FaST™ System (option)



FIG. 33

HOUR METER

The hour meter records number of hours the machine has been powered on. Use hour meter to determine when to perform recommended maintenance procedures and to record service history (Figure 34).

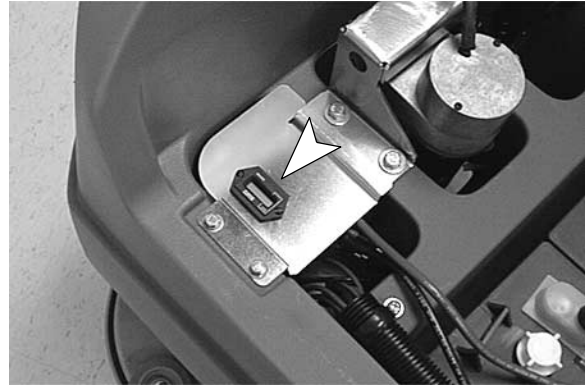


FIG. 34

DRAINING TANKS

Drain recovery tank:

- After each use.
- Between solution tank refills.
- When squeegee starts trailing water.
- When solution flow stops.
- When float shut-off screen, located inside recovery tank, is activated.
- If optional ES™ indicator light remains on.

1. Drive machine to floor drain and turn key off.

FOR SAFETY: Before leaving or servicing machine, stop on level surface, turn off machine, and set parking brake, if equipped.

2. Remove drain hose from hose hook. Right side hose drains recovery tank and left side hose drains solution tank. Turn drain hose knob counter-clockwise and pull plug out to drain (Figure 35).

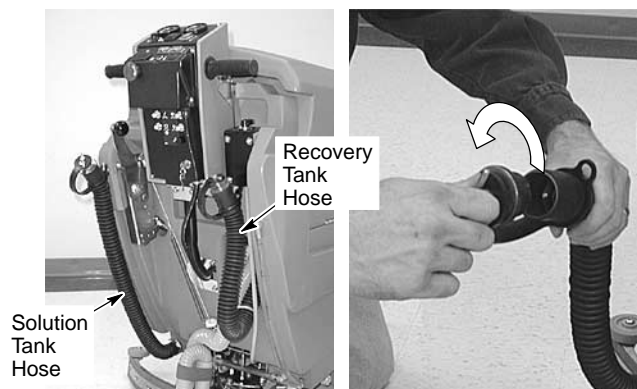


FIG. 35

3. Flush out recovery tank with clean water.
4. If you operated the ES™ option, you must drain solution tank also. Flush out solution tank with clean water.
5. Replace drain hose plug(s) securely.
6. When finished scrubbing, perform the Daily Maintenance procedures (See MACHINE MAINTENANCE).

ADJUSTING SCRUB HEAD

DISC BRUSH SCRUB HEAD

NOTE: Before adjusting scrub head, check tire pressure and fill solution tank.

1. With pads/brushes installed, lower scrub head to floor and apply maximum pad pressure.
2. Turn off machine and remove key.

FOR SAFETY: Before leaving or servicing machine, stop on level surface, turn off machine, and set parking brake, if equipped.

3. From center front and back of scrub head, measure distance from top edge of scrub head to floor (Figure 36).



FIG. 36

4. If scrub head is not level, loosen lock nut and turn scrub head leveling screw to level, 1 inch wrench required. Tighten down lock nut once head is level (Figure 37).



FIG. 37

CYLINDRICAL BRUSH SCRUB HEAD

To check for proper brush adjustment perform the following steps:

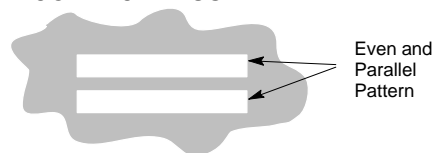
NOTE: Before checking or adjusting scrub brush, check tire pressure and fill solution tank.

1. Apply a powdered substance, such as chalk, on a smooth, level floor.
2. With scrub head raised, position scrub head over test area and set parking brake, if equipped.
3. Lower scrub head to floor with minimal down pressure.
4. Turn solution switch to the off position.
5. Turn speed control knob to slowest setting and slightly rotate control grips forward for 2 seconds while holding machine in one spot.

NOTE: If a powdered substance is not available, let brushes spin for 30 seconds in one spot.

6. Release parking brake, raise scrub head and reverse machine from test area.
7. Observe brush pattern on floor. Both brushes should leave an even, parallel pattern (Figure 38).

CORRECT BRUSH PATTERN



INCORRECT BRUSH PATTERNS



FIG. 38

OPERATION

8. If brush pattern represents one of the incorrect patterns, adjustment is required.

To adjust cylindrical brush with uneven pattern:

1. Lower scrub head to floor and apply maximum down pressure.
2. Turn off machine and remove key.

FOR SAFETY: Before leaving or servicing machine, stop on level surface, turn off machine, and set parking brake, if equipped.

3. Measure distance from bottom edge of scrub head to floor at all four corners (Figure 39).

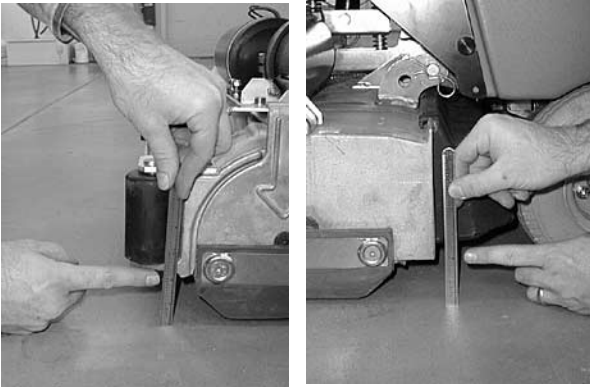


FIG. 39

4. If scrub head is not level, loosen lock nut and turn scrub head leveling screw clockwise to lower rear brush width or counter-clockwise to lower front brush width, 1 inch wrench required (Figure 40).

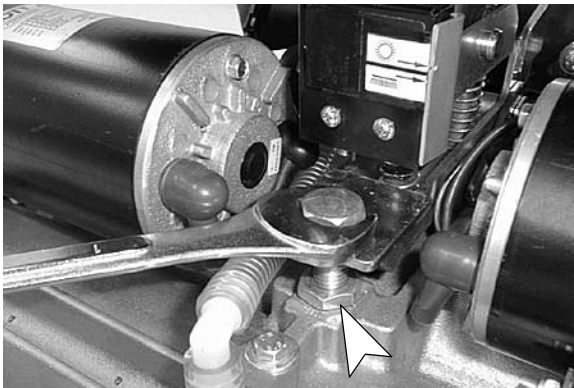


FIG. 40

5. Recheck brush pattern, readjust if necessary.

To adjust cylindrical brush with tapered pattern:

1. Raise scrub head off floor and remove key.

FOR SAFETY: Before leaving or servicing machine, stop on level surface, turn off machine, and set parking brake, if equipped.

2. Remove idler plate that has the tapered brush pattern. To remove idler plate from scrub head, push spring mount tab downward, then pull bottom of plate down and outward (Figure 41).

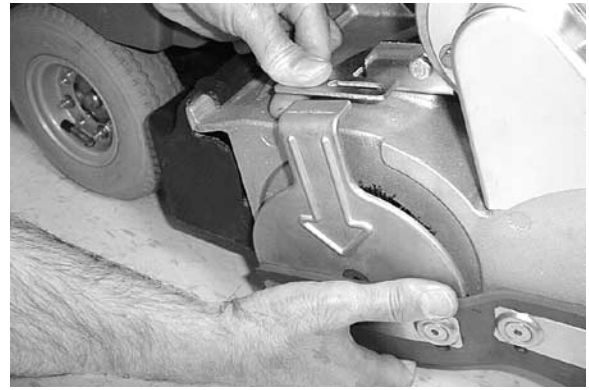


FIG. 41

3. Pull idler plate off end of brush.
4. Hold brush plug shaft with .375 inch wrench and loosen Allen head screw, 6 mm Allen wrench required (Figure 42).



FIG. 42

5. When adjusting front brush, turn shaft clockwise to lower brush end. If adjusting rear brush, turn shaft counter-clockwise to lower brush end. Retighten Allen screw after adjusting (Figure 43).

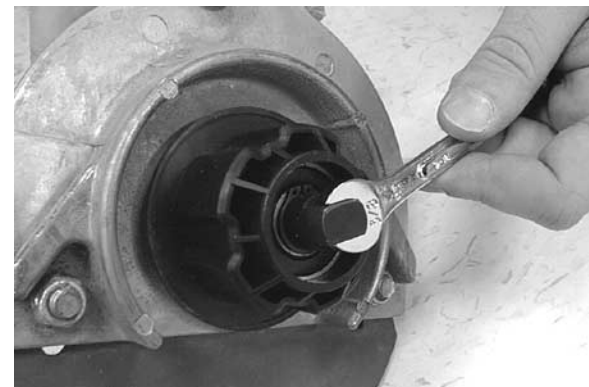


FIG. 43

6. Replace idler plate and recheck brush pattern, readjust if necessary.

REMOVING BRUSHES/PADS

DISC SCRUB HEAD

Disc brushes should be replaced if bristles are worn to a length of 10 mm (0.38 in) or less.

NOTE: Always replace brushes as a set. Never replace just one.

1. Press bottom half of brush pressure switch until scrub head is completely raised.
2. Turn key to the off position.

FOR SAFETY: Before leaving or servicing machine, stop on level surface, turn off machine, and set parking brake, if equipped.

3. Push brush release knobs downward to release scrub brushes/pad drivers (Figure 44).

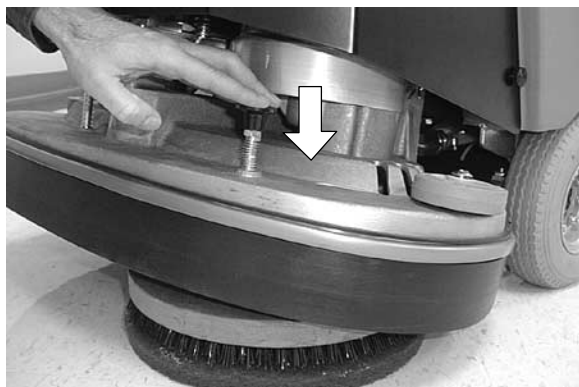


FIG. 44

4. Squeeze retaining clip on centerlock to remove pad (Figure 45).

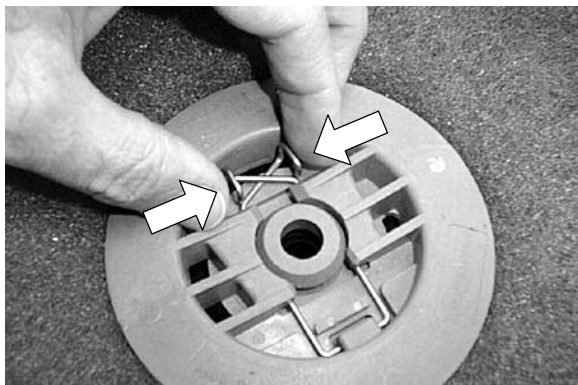


FIG. 45

CYLINDRICAL SCRUB HEAD

Cylindrical brushes should be replaced if bristles are worn to a length of 10 mm (0.38 in) or less.

NOTE: Always replace brushes as a set. Never replace just one.

1. Raise scrub head off floor and remove key.

FOR SAFETY: Before leaving or servicing machine, stop on level surface, turn off machine, and set parking brake, if equipped.

2. Remove idler plates from scrub head. To remove idler, push spring mount tab downward, then pull bottom of plate down and outward (Figure 46).

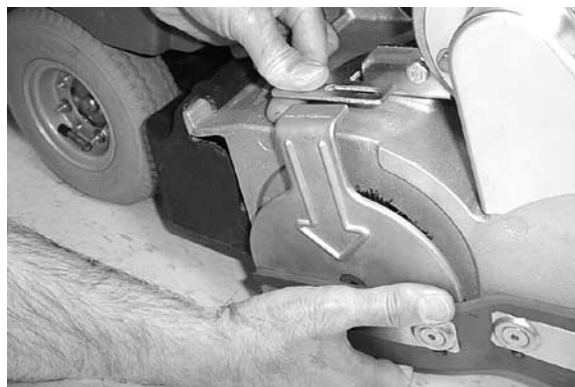


FIG. 46

3. Pull idler plate off end of brush. Remove brush from scrub head.
4. Install idler plate on new brush and reinstall brush (Figure 47).

NOTE: Make sure end of brush that has a double row of bristles goes towards the idler plate.

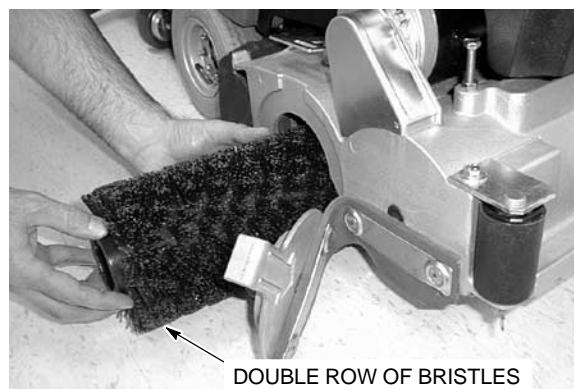


FIG. 47

5. Repeat steps for other brush on opposite side of scrub head.
6. Check brush adjustment (See ADJUSTING SCRUB HEAD).

OPERATION

CHANGING SCRUB HEADS

Two types of scrub heads are available for the 5400 model, disc brush and cylindrical brush. They are easily interchangeable.

The disc brush scrub head is designed to scrub smooth surfaces without debris, and the cylindrical brush scrub head is designed to scrub tile and uneven floors with small, light debris.

1. Lower scrub head to floor, do not apply any down pressure.
2. Turn machine off, remove key and set parking brake, if equipped.

FOR SAFETY: Before leaving or servicing machine, stop on level surface, turn off machine, and set parking brake, if equipped.

3. Remove shroud located above scrub head. The hex spacer is required for cylindrical brush scrub head only (Figure 48).

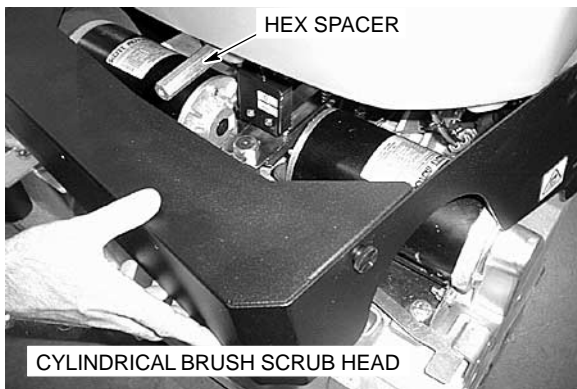
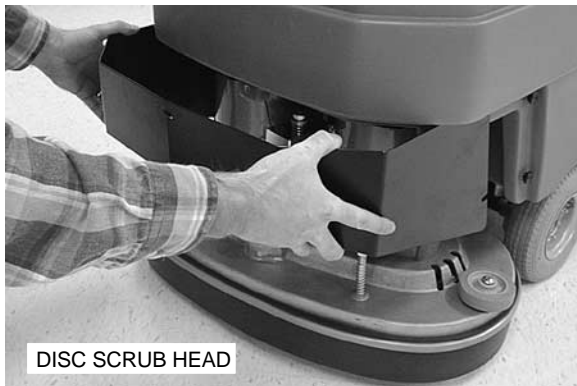


FIG. 48

4. Disconnect solution hose from scrub head (Figure 49).
5. Unplug brush motor wire harness connectors (Figure 49).

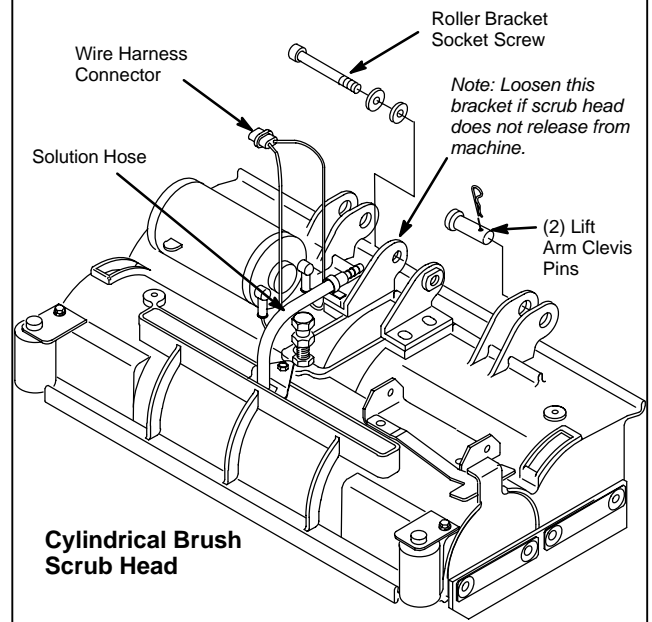
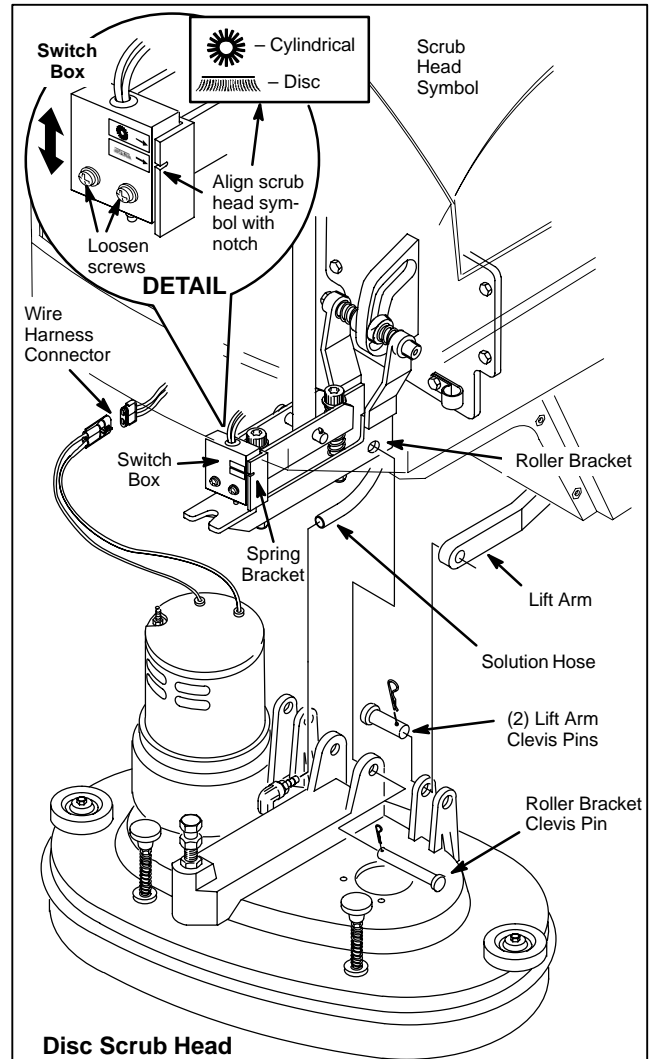


FIG. 49

- Remove two clevis pins that connect scrub head to lift arms (Figure 49).

For Disc Scrub Head: Remove a third clevis pin that connects scrub head to roller bracket (Figure 49).

For Cylindrical brush Scrub Head: Remove socket screw that connects scrub head to roller bracket, use a 5/16" Allen wrench (Figure 49).

- Pull scrub head away from machine.
- Loosen the two mounting screws on the switch box and align the corresponding scrub head symbol, printed on the switch box, with the notch in the spring bracket (Figure 49 – DETAIL). Retighten screws after adjusting.

NOTE: If the switch box is not properly adjusted when installing the Cylindrical brush scrub head, premature brush wear will occur.

- When changing to cylindrical brush scrub head you must install squeegee swing stop screws, 17mm wrench and 8mm socket wrench required. Remove screws when using the disc brush scrub head (Figure 50).

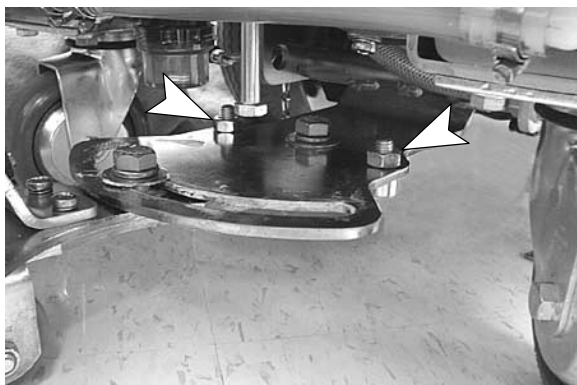


FIG. 50

- Repeat steps in reverse order to install other scrub head. Make sure leveling screw engages bracket slot as shown (Figure 51).



FIG. 51

CHARGING BATTERIES

To prolong the battery life, **ONLY** recharge the batteries if discharged more than 15% of the capacity. When discharged 15% or less, continue running the machine before recharging.

Run Time Example: 15% discharge X 2.5 hours rated total run time = 22 minutes.

The following charging instructions are intended for chargers supplied with machine. Only use a battery charger with the following specifications to prevent battery damage.

BATTERY CHARGER SPECIFICATIONS:

- OUTPUT VOLTAGE - 24 VOLTS
- OUTPUT CURRENT - 20 AMPS
- AUTOMATIC SHUTOFF CIRCUIT
- FOR DEEP CYCLE BATTERY CHARGING

NOTE: For optimum machine operation, keep batteries charged at all times. Never leave batteries discharged for lengthy periods.

⚠ WARNING: Keep Sparks And Open Flame Away. Keep Battery Hood Open When Charging.

FOR SAFETY: When servicing machine, wear protective gloves and safety glasses when handling batteries and battery cables. Avoid contact with battery acid.

1. Drive machine to a well-ventilated area for charging.
2. Park machine on a level surface, turn key off and set parking brake, if equipped.

FOR SAFETY: Before leaving or servicing machine, stop on level surface, turn off machine, and set parking brake, if equipped.

3. Hinge open recovery tank to access battery compartment.

NOTE: Drain recovery tank prior to accessing batteries.

4. Check fluid level (A) in each battery cell before charging. If battery plates (B) are exposed, add just enough distilled water to cover plates by approximately 3 mm (0.13 in). **DO NOT OVERFILL.** Overfilled batteries can overflow during charging due to fluid expansion. Replace cell caps before charging (Figure 52).

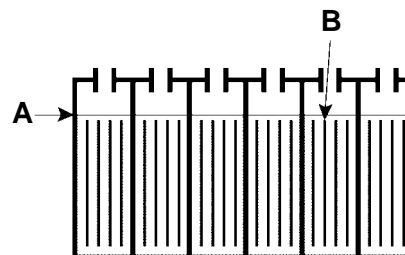


FIG. 52

OPERATION

- With charger's power supply cord unplugged, connect battery charger into machine's charging receptacle as shown. Flip up hood support stand and rest hood on stand (Figure 53).



FIG. 53

- Plug charger's power supply cord into a grounded wall outlet (Figure 54).

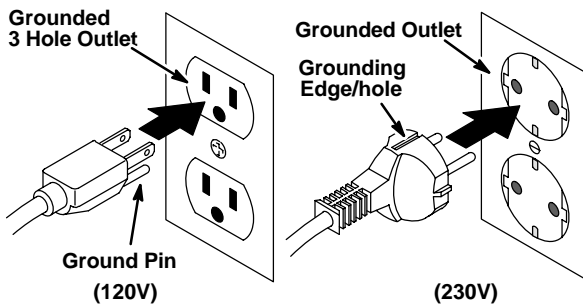


FIG. 54

⚠ WARNING: Keep Sparks And Open Flame Away. Keep Battery Hood Open When Charging.

NOTE: Once the charger is connected, machine becomes inoperable.

- Charger will automatically begin charging and shut off when fully charged.
- When disconnecting charger, always unplug charger from wall outlet first.
- After charging batteries, check electrolyte level (A) in each battery cell. Add just enough distilled water to bring electrolyte level (A) up to 1cm (0.38 in.) from bottom of fill rings (B) (Figure 55). DO NOT OVERFILL.

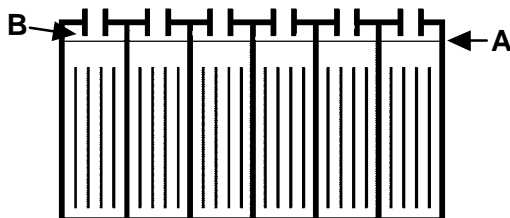


FIG. 55

MACHINE MAINTENANCE

To keep machine in good working condition, simply follow daily, weekly and monthly maintenance procedures.

FOR SAFETY: Before leaving or servicing machine, stop on level surface, turn off machine, and set parking brake, if equipped.

⚠ WARNING: Disconnect Battery Cables Before Servicing Machine.

ATTENTION: Contact an Authorized Service Center for machine repairs. Machine repairs performed by other than an authorized person will void your warranty.

DAILY MAINTENANCE (Every 4 Hours of Use)

1. Drain and flush out tanks with clean water (Figure 56).



FIG. 56

2. Remove recovery tank plug and flush intake opening with water (Figure 57).



FIG. 57

3. FaST™ Model Only: When FaST™ PAK carton is not installed on machine, make sure that the supply hose is connected the hose storing plug. This will prevent the FaST™ solution system from drying out and clogging up (Figure 58). If any dried concentrate is visible on the FaST™ PAK connector or the supply hose connector, soak in warm water to remove.



FIG. 58

4. Remove and rinse float shut-off screen located in recovery tank (Figure 59).



FIG. 59

5. Cylindrical brush scrub head: Empty and rinse debris trough (Figure 60).



FIG. 60

6. Check brushes for entangled debris.

7. Change pads or brushes if worn or damaged.
8. Check scrub head skirt(s) for wear and adjustment.
9. If equipped with ES™ option, remove ES™ filter and clean. Filter is located inside recovery tank (Figure 61).



FIG. 61

10. Raise squeegee and wipe it down with a dry cloth. Store squeegee in the up position to prevent squeegee damage.

11. Clean machine housing with an all purpose cleaner and damp cloth.

ATTENTION: Do not power spray or hose off machine. Electrical component damage due to water is not covered by warranty.

12. Recharge batteries.

NOTE: Recharge batteries ONLY after a total of 22 minutes of use or more. This will prolong battery life.

WEEKLY MAINTENANCE (Every 20 Hours of Use)

1. Remove bowl filter from underneath machine and clean screen. Make sure solution tank is empty before removing filter (Figure 62).

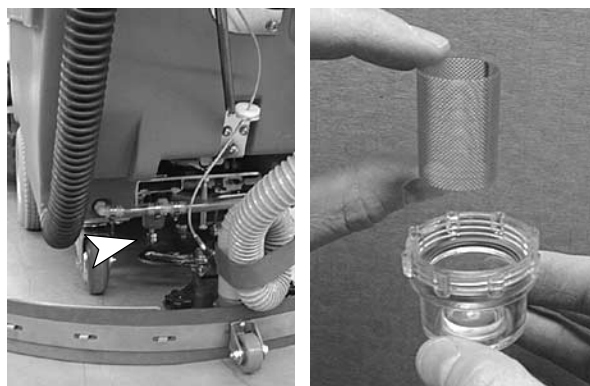


FIG. 62

OPERATION

- If equipped with ES™ option, clean ES™ float switch located inside recovery tank (Figure 63).

NOTE: If scrubbing an area where metal shavings are present, it is recommended that you clean the ES™ float switch more frequently. The ES™ float switch is equipped with a magnet which will attract metal shavings.

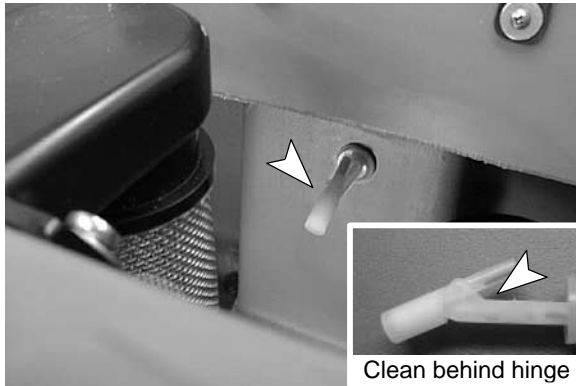


FIG. 63

- Check fluid level in battery cells (See BATTERY MAINTENANCE).
- Clean battery tops to prevent corrosion (See BATTERY MAINTENANCE).
- Check for loose or corroded battery cables.
- Check air pressure in tires. Proper air pressure for standard pneumatic tire is 315 to 345 kPa (45 to 50 psi).

MONTHLY MAINTENANCE (Every 80 Hours of Use)

- Flush solution system. Pour 11.3 L (3 gal) of hot water into solution tank. Add an alkaline detergent according to mixing instructions. Over a floor drain, briefly operate machine, ES™ option and wand option for 30 seconds each. Turn key off and leave machine overnight. Next day, disperse remaining alkaline detergent and rinse solution system.
- Check brushes for proper adjustment (See ADJUSTING SCRUB HEAD).
- Lubricate caster grease fittings with a water resistant grease.
- Lubricate all pivot points and rollers with silicone spray then coat with a water resistant grease to maintain smooth operation.

- Cylindrical Brush Scrub Head: Check brush belt tension. Proper belt deflection should be 3 mm (0.1 in) at midpoint, with 1.13–1.22 Kg (2.5–2.7 lbs) force (Figure 64).

FOR SAFETY: When servicing machine, disconnect battery connections before working on machine.

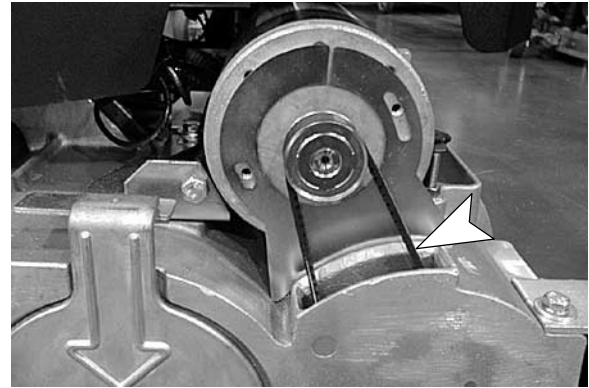


FIG. 64

ATTENTION: Contact an Authorized Service Center for machine repairs.

- Check machine for water leaks and loose nuts and bolts.

QUARTERLY MAINTENANCE (Every 250 Hours of Use)

- Check drive transaxle, vacuum and brush motors for carbon brush wear, replace brushes when worn to a length of 10 mm (0.38 in) or less.

Contact an Authorized Service Center for motor maintenance.

- FaST™ Model Only: Remove and clean out the air filter with compressed air. The FaST™ system air filter is attached to the air pump (Figure 65).



FIG. 65

SQUEEGEE BLADES

The squeegee has two squeegee blades. The front blade has two wiping edges. To use both of them, rotate the blade end-for-end.

The rear blade has four wiping edges. To use them all, start with one wiping edge. To use the next wiping edge, rotate the blade end-for-end. To use the next wiping edge, rotate the top edges down, bottom edges up. To use the last edge, rotate the blade end-for-end.

Replace any worn or damaged squeegee blades.

REPLACING OR ROTATING THE FRONT SQUEEGEE BLADE

1. Turn the machine power off and set the parking brake if your machine has this option.

FOR SAFETY: Before leaving or servicing machine, stop on level surface, turn off machine, set parking brake and remove key

2. Make sure the squeegee is raised off the floor.
3. Remove the six thumbscrews holding the retainer and squeegee blade to the squeegee frame (Figure 66).

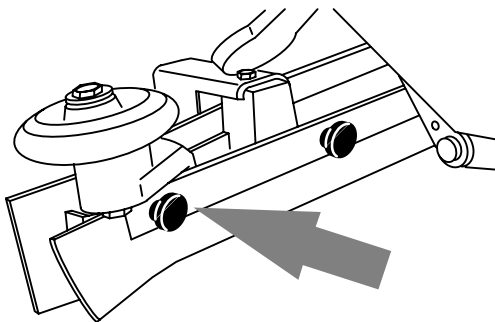


FIG. 66

4. Pull the squeegee blade off the squeegee frame.
5. Rotate the squeegee blade end for end to allow a new edge to face the front of the machine.
6. Line up the squeegee blade and the retainer to the squeegee frame
7. Secure the blade and retainer to the squeegee frame with the six thumbscrews.

REPLACING OR ROTATING THE REAR SQUEEGEE BLADE

1. Turn the machine power off and set the parking brake if your machine has this option.

FOR SAFETY: Before leaving or servicing machine, stop on level surface, turn off machine, and set parking brake, if equipped.

2. Make sure the squeegee is raised off the floor.
3. Loosen the retainer clamp and remove the retainer from the squeegee frame (Figure 67).

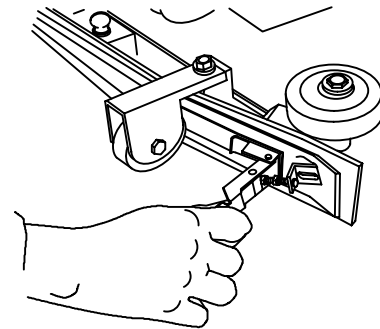


FIG. 67

4. Remove the squeegee blade and backup strip from the squeegee frame.
5. Replace or rotate the squeegee blade to allow a new edge to face the front of the machine.
6. Place the squeegee blade and backup strip on the squeegee frame
7. Secure the squeegee blade and backup strip with the retainer. Tighten the retainer clamp.

BATTERY MAINTENANCE

⚠ WARNING: Keep Sparks And Open Flame Away. Keep Battery Hood Open When Charging.

FOR SAFETY: When servicing machine, wear protective gloves and safety glasses when handling batteries and battery cables. Avoid contact with battery acid.

1. Always follow proper charging instructions (See CHARGING BATTERIES).
2. Check the electrolyte level (A) in each battery cell. The level should be 1 cm (3/8 in) from the bottom of sight tubes after charging. Add distilled water if needed. DO NOT OVERFILL. Overfilled batteries can overflow during charging due to fluid expansion (Figure 68).

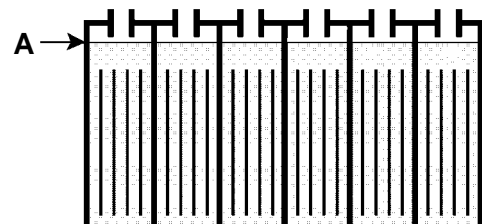


FIG. 68

OPERATION

3. Measuring the specific gravity using a hydrometer is a way to determine the charge level, and condition of the batteries (Figure 69). If one or more of the battery cells test lower than the other battery cells (0.050 or more), the cell is damaged, shorted, or is about to fail.

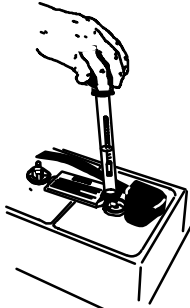


FIG. 69

NOTE: Do not take readings immediately after adding distilled water. If the water and acid are not thoroughly mixed, the readings may not be accurate. Check the hydrometer readings against the following chart to determine the remaining battery charge level:

SPECIFIC GRAVITY at 27° C	BATTERY CHARGE
1.265	100% CHARGED
1.223	75% CHARGED
1.185	50% CHARGED
1.148	25% CHARGED
1.110	DISCHARGED

NOTE: If the readings are taken when the battery electrolyte is any temperature other than 27° C, the reading must be temperature corrected. Add or subtract to the specific gravity reading 0.004, 4 points, for each 6° C above or below 27° C.

4. Keep battery tops and terminals clean and dry.
To clean batteries:
 - a. Mix a strong solution of baking soda and water (Figure 70).



FIG. 70

- b. Brush solution sparingly over battery tops, terminal and cable connectors.

NOTE: Do not allow baking soda solution to enter battery cells.

- c. Use wire brush to clean terminal post and cable connections.
 - d. After cleaning, apply a coating of clear battery post protectant to terminals and cable connections.

5. Check for loose or worn cables. Replace if worn.

MACHINE JACKING

Use designated locations under the solution tank for jacking up machine. Use a piece of wood to distribute machine weight load (Figure 71).

Always stop machine on a flat level surface and block machine tires before jacking up machine.



FIG. 71

FOR SAFETY: When servicing machine, block machine tires before jacking machine up.

FOR SAFETY: When servicing machine, jack machine up at designated locations only. Block machine up with jack stands.

TRANSPORTING MACHINE

When transporting machine by use of trailer or truck, be certain to follow tie-down procedures below:

FOR SAFETY: When using machine, go slow on inclines and slippery surfaces.

1. Raise squeegee and scrub head.
2. Load machine using a recommended loading ramp.
3. Position front of machine up against front of trailer or truck. Once machine is positioned, lower scrub head and squeegee.
4. Set parking brake, if equipped, and place a block behind each drive wheel to prevent machine from rolling.
5. Secure machine using tie-down brackets located at rear of machine frame, if equipped. It may be necessary to install tie-down brackets to the floor of your trailer or truck.
6. Place tie-down straps over top of machine to prevent it from tipping.

NOTE: Do not use control grips to secure machine for transporting.

FOR SAFETY: When transporting machine, use a recommended ramp when loading/unloading into/off truck or trailer, use tie-down straps to secure machine to truck or trailer.

STORING MACHINE

1. Charge batteries before storing. Never store machine with discharged batteries.
2. Drain and rinse tanks thoroughly.
3. Store machine in a dry area with squeegee and scrub head in the raised position.
4. Remove recovery tank lid to promote air circulation.

ATTENTION: Do not expose machine to rain; store indoors.

FREEZE PROTECTION

1. Be sure the solution tank and recovery tank are empty.
2. Pour 3.8 L of pre-mixed automotive-type windshield washer solution into the solution tank.
3. Turn the machine power on.
4. Start the solution flow.
5. The washer solution does not need to be drained from the solution tank.

FaST™ SYSTEM FREEZE PROTECTION

FaST™ Winterizing Kit #613898 is required.

1. Disconnect the FaST™ PAK from the system and connect the quick-disconnect fitting, supplied with kit, to the inlet line of the concentrate pump.
2. Using a small cup, drain as much of the FaST™ concentrate from the inlet line as possible (Figure 72). If the concentrate does not flow out of the line, simply squeeze and release the inlet hose several times.



FIG. 72

OPERATION

3. Install the hose, supplied with kit, onto the fitting. Using a small cup, pour RV antifreeze into this hose until inlet line and hose are full. If the antifreeze does not flow through the coupling, squeeze and release the inlet line several times (Figure 73).



FIG. 73

4. Tape the inlet hose to the side of the FaST™ PAK holder to keep the hose vertical (Figure 74). Run the machine in the FaST™ mode until there is no foam coming from the machine. This indicates the RV antifreeze has been flushed through the concentrate pump. This step could take anywhere from 5 to 10 minutes depending on how much FaST™ concentrate was left in the inlet line after draining.



FIG. 74

5. Drain the solution tank and remove the water strainer cup located under the machine. Leave the cup and strainer off of the machine, and operate the machine in the FaST™ mode for 1–2 minutes. Clean the strainer if needed and reinstall strainer and cup to machine (Figure 75).



FIG. 75

6. Remove the kit's quick disconnect fitting and hose from the concentrate pump inlet line. Connect the inlet line to the storage plug on the FaST™ PAK bracket. This will prevent any contaminants from entering concentrate system (Figure 76).

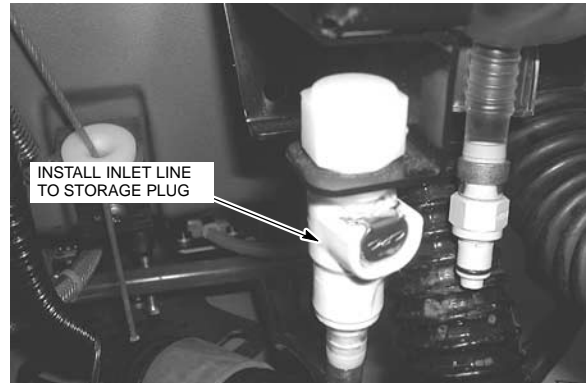


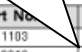
FIG. 76

DRAINING ANTIFREEZE AFTER STORING

1. Remove the concentrate line from the storage plug and install the quick–disconnect fitting, supplied with kit, into the inlet line of the concentrate pump.
2. Drain as much of the excess RV antifreeze as possible. If the antifreeze does not flow out of the line, squeeze and release the inlet hose several times.
3. Install the FaST™ PAK into its holder. Remove the kit fitting from the concentrate line and connect the concentrate line to the FaST™ PAK. If the concentrate does not flow into the line, simply squeeze and release the inlet hose several times.
4. Run the machine in the FaST™ mode for 5 minutes before adding water to the solution tank. Add water to the solution tank and the machine is now ready for service. It may be several minutes until the FaST™ system is back to the optimum operating condition.

RECOMMENDED STOCK ITEMS

Refer to the Parts List Manual for recommended stock items. Stock Items are clearly identified with a bullet preceding the parts description. See example below:



Ref.	Part No.	Description	Qty.
1	701103	ASM.,STANDPIPE	1
2	180613	●FLOAT, SHUTOFF	1
3	230187	NIPPLE	1
4	101714	●BASKET	1
5	210240	NUT, FLANGED	1

OPERATION

TROUBLESHOOTING

PROBLEM	CAUSE	SOLUTION
Machine will not operate.	Faulty key switch.	Contact Service Center.
	Batteries need charging.	See CHARGING BATTERIES.
	Faulty battery(s).	Replace battery(s).
	Loose battery cable.	Tighten loose cable.
	MAIN circuit breaker has tripped.	Determine cause and reset breaker.
	Optional power kill button activated.	Turn button clockwise to reset.
Brush motors will not operate.	Faulty brush switch.	Contact Service Center.
	Control grips not rotated.	Rotate grips.
	Brush circuit breaker has tripped.	Replace pad or adjust pad pressure and reset brush circuit breaker button.
	Faulty brush motor or wiring.	Contact Service Center.
	Worn carbon brushes.	Contact Service Center.
	Faulty brush solenoid.	Contact Service Center.
Vacuum motor will not operate.	Faulty vacuum switch.	Contact Service Center.
	Squeegee is raised off floor.	Lower squeegee.
	Main circuit breaker has tripped.	Remove obstruction and reset circuit breaker button.
	Vacuum motor circuit breaker has tripped.	Determine cause and reset circuit breaker button.
	Faulty vacuum motor or wiring.	Contact Service Center.
	Worn carbon brushes.	Contact Service Center.
Little or no solution flow.	Solution switch is not activated.	Turn on solution switch.
	Clogged solution line or solution tank filter.	Remove hose and blow compressed air through it. Flush solution tank after each use.
	Clogged solution valve or solenoid.	Remove valve or solenoid and clean. Do not scratch inside of valve.
	Faulty solution switch or solenoid.	Contact Service Center.
	Solution flow knob not activated.	Turn solution flow knob.
	Loose set screw on solution knob.	Calibrate knob and tighten screw.
Poor Scrubbing Performance.	Brushes/pads out of adjustment.	See ADJUSTING SCRUB HEAD.
	Worn Brushes/pads.	Replace brushes/pads.
	Debris caught in brushes/pads.	Remove debris.
	Low tire pressure.	Increase tire pressure.
	Low battery charge.	Charge batteries.
	Incorrect brush/pad pressure.	Readjust brush/pad pressure.
	Broken Brush belt (cylindrical brush).	Replace belts.
Poor Drive Traction.	Pad pressure set too high.	Decrease brush pressure.
	Tires slipping.	Contact distributor for advice.
	Uneven brush pressure.	Level scrub head.
	Broken brush belt (cylindrical brush).	Replace belt.

TROUBLESHOOTING – Continued

PROBLEM	CAUSE	SOLUTION
Poor water pickup.	Recovery tank is full and ball float has been activated.	Empty recovery tank.
	Ball float screen inside recovery tank is clogged.	Remove screen and clean.
	Clogged squeegee.	Clean squeegee.
	Worn squeegee blades.	Replace squeegee blades.
	Loose squeegee thumbscrews.	Tighten thumbscrews.
	Vacuum hose connections are loose or hose has a hole.	Push hose cuffs firmly on connections. Replace hose if damaged.
	Clogged vacuum hose.	Remove clogged debris.
	Recovery tank inlet hole is obstructed.	Empty recovery tank and tilt tank sideways to access inlet hole, remove obstruction.
	Worn tank lid gasket.	Replace gasket.
	Loose drain hose plug.	Tighten plug.
	Recovery tank lid not in place.	Properly position lid.
	Loose vacuum motor.	Contact Service Center.
	Battery charge level is low.	Charge batteries. Do not run machine when battery meter is in the red zone.
ES™ option not operating.	ES™ filter is clogged.	Remove and clean ES™ filter.
	Faulty ES™ pump.	Contact Service Center.
	Faulty ES™ ON/OFF switch.	Contact Service Center.
	ES™ float switch is dirty.	Rinse off float switch located in recovery tank.
	Faulty ES™ float switch.	Contact Service Center.
Short run time.	Batteries not fully charged.	Charge batteries.
	Defective batteries.	Replace battery.
	Batteries need maintenance.	See BATTERY MAINTENANCE.
	Faulty charger.	Repair or replace battery charger.
FaST™ System Option does not operate.	Solution switch is not activated.	Turn on solution switch.
	FaST™ system switch is not turned on.	Turn on FaST™ system switch.
	FaST circuit breaker has tripped.	Determine cause and reset the 10A circuit breaker button.
	Clogged FaST™ PAK supply hose and/or connectors.	Soak connector and hose in warm water and clean.
	FaST™ PAK carton is empty or not connected.	Replace FaST™ PAK carton and/or connect supply hose.
	Clogged flow control orifice.	Remove orifice, clean and reinstall (refer to parts list diagram).
	Faulty scrub mode switch.	Contact Service Center.
	Faulty pump or air compressor.	Contact Service Center.
	Clogged solution tank filter.	Drain solution tank. remove solution tank filter, clean and reinstall.

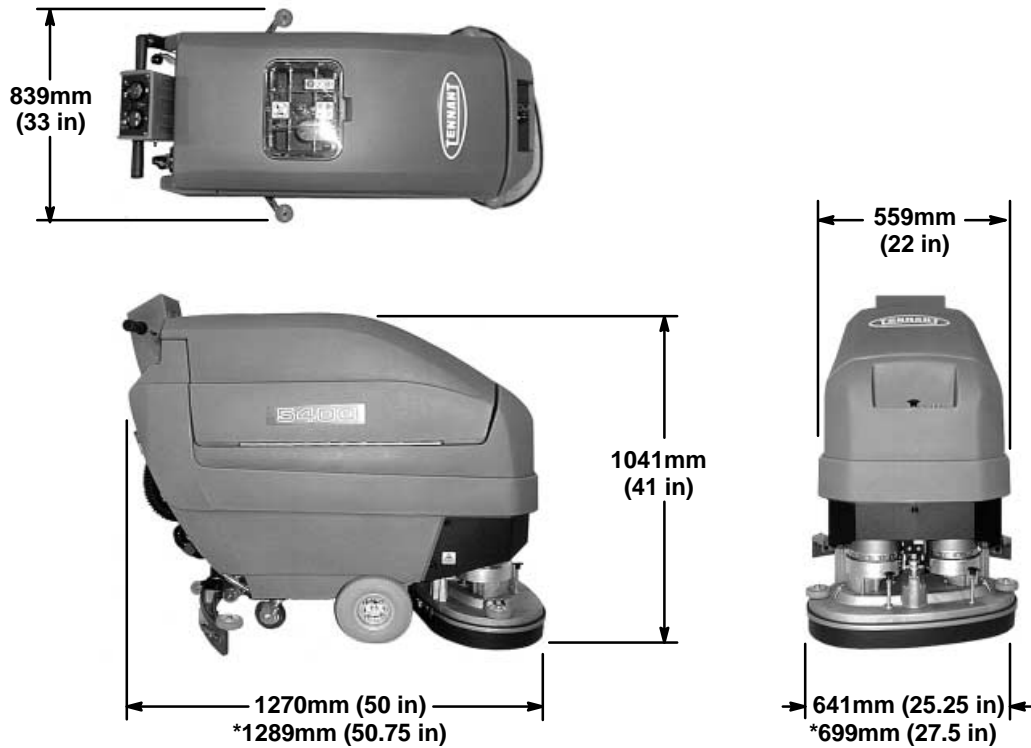
OPERATION

SPECIFICATIONS

MODEL	610mm (24 in) Disk Head	660mm (26 in) Disk Head	610mm (24 in) Cylindrical Head
LENGTH	1270mm (50 in)	1289mm (50.75 in)	1359mm (53.50 in)
WIDTH / WIDTH WITH SCRUB HEAD	559mm (22 in) / 641mm (25.25 in)	559mm (22 in) / 699mm (27.5 in)	559mm (22 in) / 667mm (26.25 in)
HEIGHT	1041mm (41 in)	1041mm (41 in)	1041mm (41 in)
WEIGHT	142 kg (314 lb) / 260 Kg (570 lb) with batteries	142 kg (314 lb) / 260 Kg (570 lb) with batteries	142 kg (314 lb) / 260 Kg (570 lb) with batteries
RECOVERY TANK CAPACITY	80 L (21 Gal)	80 L (21 Gal)	80 L (21 Gal)
SOLUTION TANK CAPACITY	80 L (21 Gal)	80 L (21 Gal)	80 L (21 Gal)
ES™ OPTION SOLUTION FILL CAPACITY	117 L (31 Gal)	117 L (31 Gal)	117 L (31 Gal)
DRIVE SYSTEM	Transaxle, 24 V, .15 kw (.2 hp)	Transaxle, 24 V, .15 kw (.2 hp)	Transaxle, 24 V, .15 kw (.2 hp)
CLEANING RATE	2415 m ² per hour (26,000 sq ft)	2601 m ² per hour (28,000 sq ft)	2415 m ² per hour (26,000 sq ft)
CLEANING PATH WIDTH	610mm (24 in)	660mm (26 in)	610mm (24 in)
PAD PRESSURE	Variable 0–54 kg (0–120 lb)	Variable 0–54 kg (0–120 lb)	Variable 0–41 kg (0–90 lb)
SQUEEGEE WIDTH	839mm (33 in)	839mm (33 in)	839mm (33 in)
TOTAL POWER CONSUMPTION	60 Amp nominal	60 Amp nominal	60 Amp nominal
BRUSH MOTOR	Two – .75 h.p., 270 rpm, 24 V, 33 A	Two – .75 h.p., 270 rpm, 24 V, 33 A	Two – .63 h.p., 1700 rpm, 670 brush rpm, 24 V, 23 A
VACUUM MOTOR	.75 h.p., 3–stage 5.7 in, 24 V, 21 A	.75 h.p., 3–stage 5.7 in, 24 V, 21 A	.75 h.p., 3–stage 5.7 in, 24 V, 21 A
WATER LIFT	1829mm (72 in)	1829mm (72 in)	1829mm (72 in)
BATTERIES	Four – 6 V, 235 AH	Four – 6 V, 235 AH	Four – 6 V, 235 AH
RUN TIME PER CHARGE	Up to 2.5 hours	Up to 2.5 hours	Up to 2.5 hours
DECIBEL RATING AT OPERATOR'S EAR, INDOORS ON TILE.	74 dB(A)	74 dB(A)	74 dB(A)

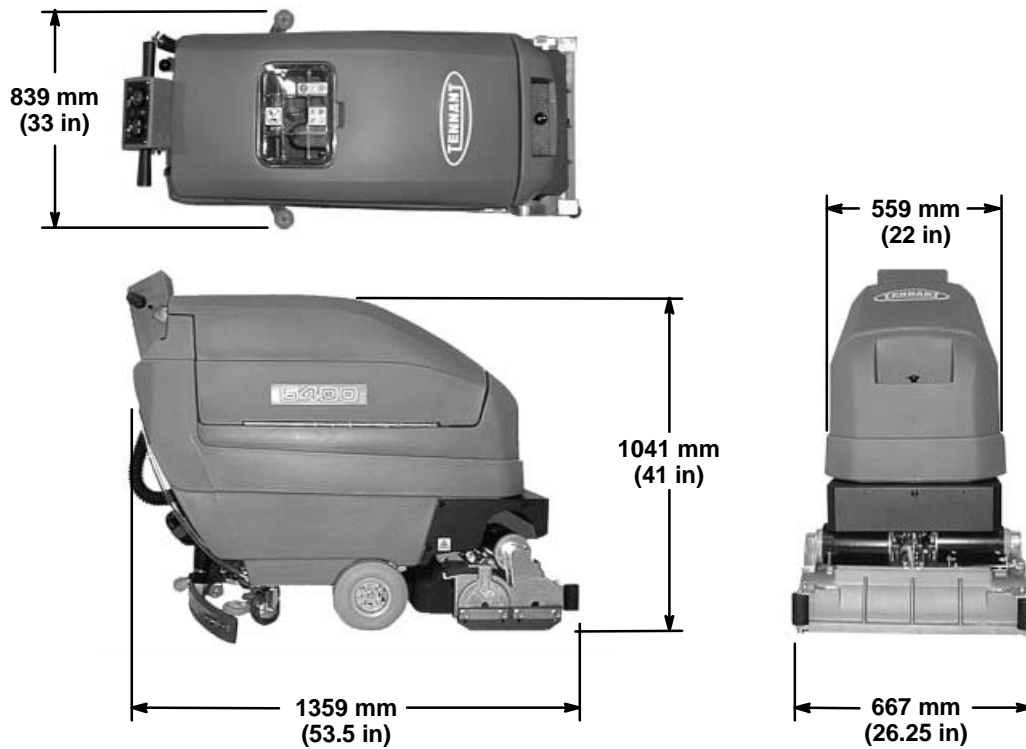
FaST™ SYSTEM (OPTION)		
SOLUTION PUMP	24 Volt DC, 3.5 A, 1.5 GPM open flow, 45 psi bypass setting	N/A
SOLUTION FLOW RATE	0.57 LPM (0.15 GPM)	N/A
DETERGENT PUMP	24 Volt, 20 Watts	N/A
CONCENTRATE FLOW RATE	0.55 CC/Minute (0.02 Ounces/Minute)	N/A
CONCENTRATE TO WATER DILUTION RATIO	1:1000	N/A
AIR COMPRESSOR	24 Volt DC, 0.6 Maximum Amp draw	N/A
AIR COMPRESSOR FLOW RATE	8.7 LPM (0.3 CFM) open flow	N/A

MACHINE DIMENSIONS – 610mm (24 in) and 660mm (26 in) DISK MODELS



* Dimensions apply to 660 mm (26 in) disk models only

MACHINE DIMENSIONS – 610mm (24 in) CYLINDRICAL BRUSH MODEL



OPERACIÓN

Este manual se proporciona con cada nuevo modelo. Proporciona instrucciones necesarias de mantenimiento y lista ilustrada de piezas.

Antes de operar o prestar servicio a la máquina, lea completamente este manual y entienda la máquina.

Para ordenar piezas use las Listas Ilustradas de las Piezas. Asegúrese de tener listo el número de modelo y de serie de la máquina, antes de ordenar piezas o suministros. Las piezas y suministros pueden ordenarse por teléfono o por correo de cualquier centro autorizado de piezas y servicio, distribuidor o de cualquiera de las subsidiarias del fabricante.

Esta máquina proporcionará un servicio excelente. Sin embargo, los mejores resultados se obtienen a un costo mínimo si:

- La máquina se opera con un cuidado razonable.
- La máquina se mantiene con regularidad, según las instrucciones de mantenimiento provistas.
- La máquina se mantiene con las piezas provistas por el fabricante o equivalentes.

DATOS DE LA MAQUINA

Por favor complete al momento de la instalación para referencia futura.

No. de Modelo- _____

Fecha de instalación - _____

No. de Serie- _____

© 2003 Tennant Company Printed in U.S.A.

FaST™, The safe scrubbing alternative™ and ES™ are United States trademarks of Tennant Company.

INDICE


MEDIDAS DE SEGURIDAD	36	ELEVACIÓN DE LA MÁQUINA	61
ADHESIVOS DE SEGURIDAD	38	TRANSPORTE DE LA MÁQUINA	62
COMPONENTES DE LA MÁQUINA	39	ALMACENAMIENTO DE LA MÁQUINA	62
CONTROL CONSOLE SYMBOLS	40	PROTECCIÓN CONTRA HELADAS	62
INSTALACIÓN DE LA MÁQUINA	41	PROTECCIÓN CONTRA HELADAS DEL	
DESEMBALADO DE LA MÁQUINA	41	SISTEMA FaST™	62
INSTALACIÓN DE LAS BATERÍAS	41	RECOMENDACIONES PARA EL	
INSTALACIÓN DE LA MÁQUINA	42	ALMACENAMIENTO	63
INSTALACIÓN DEL CONJUNTO DE LA		LOCALIZACIÓN DE AVERÍAS	64
ESCOBILLA DE GOMA	42	ESPECIFICACIONES	67
INSTALACIÓN DE CEPILLOS/ALMOHADILLAS ..	42	DIMENSIONES DE LA MÁQUINA	68
INSTALACIÓN DEL PRODUCTO FaST™ PAK		ELECTRICAL DIAGRAMS DIAGRAMAS	
(OPCIONAL)	43	ELECTRICAS	69
LLENADO DEL DEPÓSITO DE LA		LISTA DE PIEZAS	72
DISOLUCIÓN	44	SUSTITUCIÓN DEL CONJUNTO DE CEPILLOS	
FUNCIONAMIENTO DE LA MÁQUINA	45	E IMPULSOR DE LA ALMOHADILLA	72
COMPROBACIONES PREVIAS A LA		GRUPE DEL DEPÓSITO DE DISOLUCIÓN	74
UTILIZACIÓN	45	CONJ. DESPOSITO RECUPERAR	76
OPERACION DE LA MAQUINA	45	CONJUNTO CONSOLA DE CONTROLES	78
PARADA DE EMERGENCIA	47	GRUPO TABLERO DE COMPONENTÉ	80
FUNCIONAMIENTO DEL SISTEMA DE		GRUPO DE TRANSMISIÓN	82
FREGADO FaST™ (OPCIONAL)	47	GRUPO DEL ACTUADOR DEL CABEZAL DE	
FUNCIONAMIENTO DEL SISTEMA ES™		FREGADO	84
OPCIONAL	47	GRUPO DEL CABEZAL DE FREGADO	
DURANTE LA UTILIZACIÓN DE LA MÁQUINA ..	48	DE DISCO, 610mm (24in)	86
FUNCIONAMIENTO DEL TUBO ALARGADOR		GRUPO DEL CABEZAL DE FREGADO	
OPCIONAL	49	DE DISCO, 660mm (26in)	88
CORTACIRCUITOS/FUSIBLE	50	GRUPO DEL CABEZAL DE FREGADO CON	
CONTADOR DE HORAS	50	CEPILLO CILÍNDRICO	90
VACIADO DE LOS DEPÓSITOS	50	GRUPO DE TUBERÍAS	94
AJUSTE DEL CABEZAL DE FREGADO	51	GRUPO DE CONTROL DE LA ESCOBILLA DE	
CABEZAL DE FREGADO CON CEPILLO DE		GOMA	96
DISCO	51	CONJUNTO PALETA	98
CABEZAL DE FREGADO CON CEPILLO		CONJUNTO DE BATERÍA Y CARGADOR	100
CILÍNDRICO	51	GRUPO CABLE DE LA BATERÍA	101
EXTRACCIÓN DE CEPILLOS/ALMOHADILLAS	53	OPCIONES	102
CABEZAL DE FREGADO DE DISCO	53	CONJUNTO PALETA 940mm (37 in)	102
CABEZAL DE FREGADO CILÍNDRICO	53	CONJUNTO PALETA 736mm (29 in)	104
SUSTITUCIÓN DE LOS CABEZALES		GRUPO DE ACCESORIOS DE	
DE FREGADO	54	LA CONSOLA	106
CARGA DE LAS BATERÍAS	56	ES™ GRUPO DE LA SOLUCIÓN	108
MANTENIMIENTO DE LA MÁQUINA	57	GRUPO DE TUBERÍAS DEL TUBO	109
MANTENIMIENTO DIARIO	57	CONJUNTO DEL TUBO PARA	
MANTENIMIENTO SEMANAL	58	SUELOS DUROS	110
MANTENIMIENTO MENSUAL	59	CONJUNTO DE LA MANGUERA	112
MANTENIMIENTO TRIMESTRAL	59	FaST™ GRUPO DEL PANEL DE LA	
HOJAS DE LA RASQUETA	59	CONSOLA	113
COMO RECAMBIAR O HACER ROTAR		FaST™ GRUPO DE SOLUCIÓN	114
LA HOJA DE RASQUETA DELANTERA	59	FaST™ AVERÍA DE LA BOMBA	
COMO RECAMBIAR O HACER ROTAR		DE DISOLUCIÓN	116
LA HOJA DE RASQUETA TRASERA	60	FaST™ AVERÍA DE LA BOMBA DE AIRE	116
MANTENIMIENTO DE LA BATERÍA	60		

MEDIDAS DE SEGURIDAD

Esta máquina está diseñada para el uso comercial. Se ha diseñado exclusivamente para limpiar pisos duros en un ambiente interior y no se fabrica para ningún otro uso. Use sólo limpiadores recomendados de pisos comercialmente disponibles para la aplicación de la máquina.


Todos los operadores deben leer, entender y practicar las precauciones siguientes de seguridad.

El siguiente símbolo de alerta de advertencia y el encabezamiento de "PARA SEGURIDAD" se usan en este manual como se indica en su descripción:

 **ADVERTENCIA:** Para advertir de riesgos o prácticas inseguras que podrían resultar en lesiones personales graves o la muerte.

PARA SEGURIDAD: Para identificar acciones que deben seguirse para el funcionamiento seguro del equipo.

El no seguir estas advertencias puede resultar en: lesiones personales, electrocución, choque eléctrico, fuego o explosión.

 **ADVERTENCIA:** No use líquidos inflamables ni opere la máquina en o cerca de líquidos y vapores inflamables o polvos combustibles.

Esta máquina no está equipada con motores a prueba de explosión. Los motores eléctricos emiten chispas al arrancar y durante el funcionamiento lo que podría causar un fuego explosivo o explosión si la máquina se usa en una área donde están presentes vapores/líquidos inflamables o polvos combustibles.


 **ADVERTENCIA:** No aspire materiales inflamables o metales reactivos.

 **ADVERTENCIA:** Mantenga alejada de chispas y llamas expuestas. Mantenga abierta la cubierta de la batería al cargar.

 **ADVERTENCIA:** Desconecte los cables de la batería antes de prestar servicio a la máquina.

 **ADVERTENCIA:** Piezas móviles. Desconecte la electricidad antes de trabajar en la máquina.

 **ADVERTENCIA:** Piezas en movimiento. Apague la máquina antes de trabajar en ella.

 **ADVERTENCIA:** Punto de pinzamiento del actuador. Manténgase alejado de la zona de elevación del cabezal.

La información siguiente señala condiciones potencialmente peligrosas para el operador o el equipo:

PARA SEGURIDAD:

1. No opere la máquina:
 - Con líquidos inflamables o cerca de los vapores inflamables ya que puede ocurrir una explosión o fuego explosivo.
 - A menos que está capacitado y autorizado.
 - A menos que se haya leído y entendido el manual del funcionamiento.
 - Si no está en condición de ejecutar una operación apropiada.
2. Antes de arrancar la máquina:
 - Asegúrese que todos los dispositivos de seguridad están en su lugar y operando apropiadamente.
3. Al usar máquina:
 - Avance lentamente en las cuestas y superficies resbaladizas.
 - Use zapatos antiresbalosos.
 - Sea precavido al retroceder la máquina.
 - Informe inmediatamente acerca de daños o un funcionamiento defectuoso.
 - Nunca permita que los niños jueguen en o alrededor de la máquina.
 - Siga las instrucciones de mezcla y manejo indicados en los recipientes químicos.
4. Antes de salir de o reparar la máquina:
 - Deténgala en una superficie nivelada.
 - Apague la máquina.
5. Al prestar servicio a la máquina:
 - Evite las piezas móviles. No use chaquetas, camisas, o mangas, holgadas.
 - Use gúinches o gatos para soportar el peso de la máquina.
 - Bloquee las ruedas de la máquina antes de alzar.
 - Use protección de los ojos y oídos al usar aire comprimido o agua.
 - Desconecte las conexiones de la batería antes de trabajar en la máquina.
 - Use guantes protectores y lentes de seguridad al manejar baterías o cables de la batería.
 - Evite el contacto con el ácido de la batería.

- Use piezas de repuesto provistas o aprobadas por el fabricante.
 - Todas las reparaciones deben ser realizadas por una persona de servicio calificada.
 - No modifique la máquina de su diseño original.
6. Al transportar máquina:
- Apague la máquina.
 - Obtenga ayuda al alzar la máquina.
 - No alce la máquina al instalar las baterías.
 - Use una rampa recomendada al cargar/descargar al/fuera del camión o remolque .
 - Use correas de amarre para asegurar la máquina al camión o remolque.

OPERACIÓN

ADHESIVOS DE SEGURIDAD

Los adhesivos de seguridad de la máquina se encuentran en los lugares indicados a continuación. Sustituya los adhesivos deteriorados o ilegibles.

ETIQUETA DE ADVERTENCIA – ESTÁ SITUADA EN LA CUBIERTA DEL TANQUE DE RECUPERACIÓN.

WARNING FOR SAFETY: READ THE OWNER'S MANUAL BEFORE USING MACHINE.

FAILURE TO FOLLOW THESE WARNINGS MAY RESULT IN: PERSONAL INJURY, ELECTROCUTION, ELECTRICAL SHOCK, FIRE OR EXPLOSION.

Do Not Use Flammable Liquids Or Operate Machine In Or Near Flammable Liquids, Vapors Or Combustible Dusts.

Do Not Pick Up Flammable Materials Or Reactive Metals.

Keep Sparks And Open Flame Away. Keep Battery Hood Open When Charging.

Disconnect Battery Cables Before Servicing Machine.

613287



ADHESIVO GENERAL DE PELIGRO – SITUADO EN EL SOPORTE DEL ACTUADOR

ADVERTENCIA: Punto de pinzamiento del actuador. Manténgase alejado de la zona de elevación del cabezal.



ADHESIVO DE PIEZAS MÓVILES – SITUADO EN LA CUBIERTA PROTECTORA DE LA CABEZA DE FREGADO

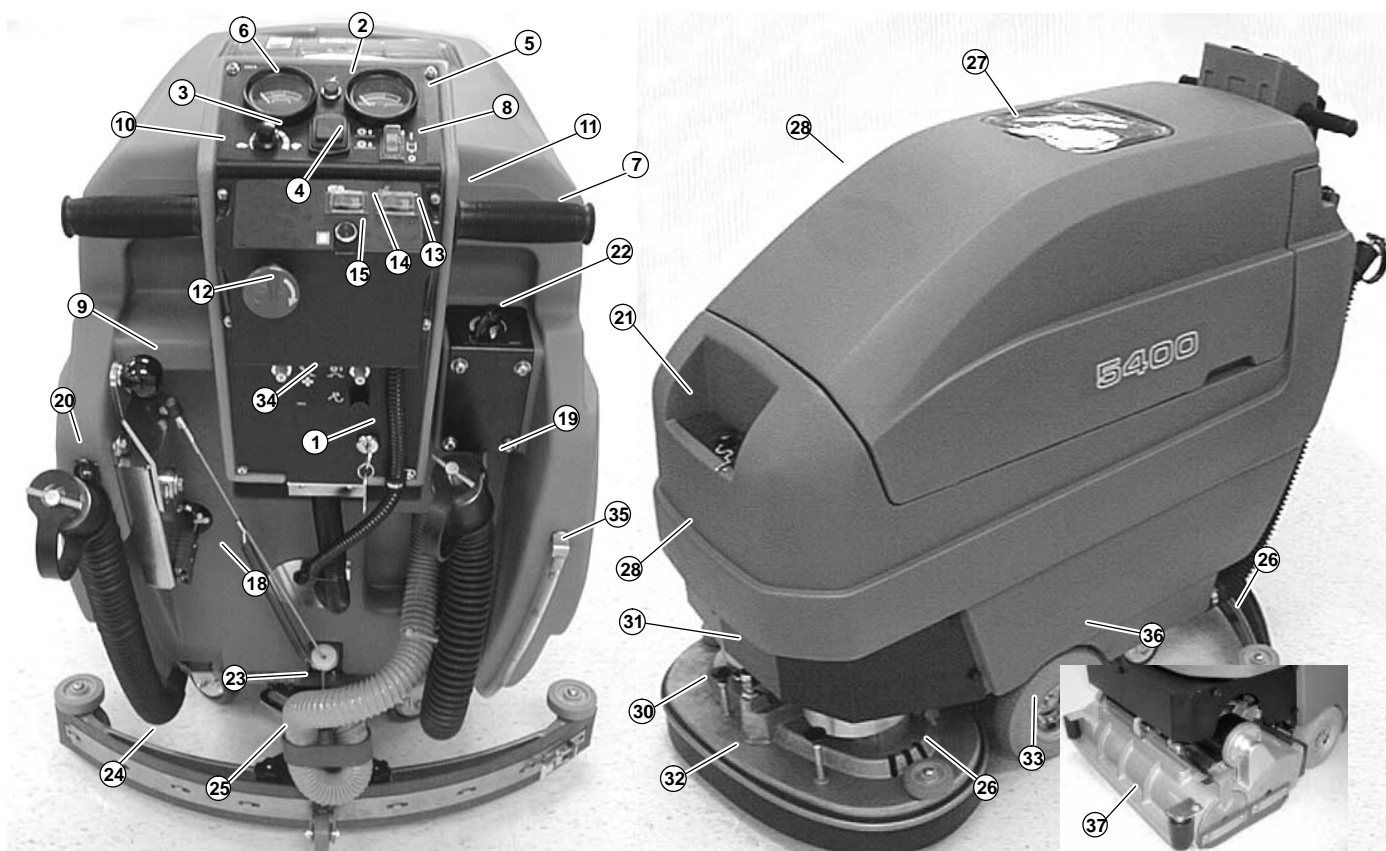
ADVERTENCIA: Piezas en movimiento. Apague la máquina antes de trabajar en ella.

ADHESIVO DE NIVEL DE CARGA DE LA BATERÍA – SITUADO EN LA TAPA DEL DEPÓSITO DE RECUPERACIÓN Y EN EL LADO INFERIOR DEL DEPÓSITO DE RECUPERACIÓN

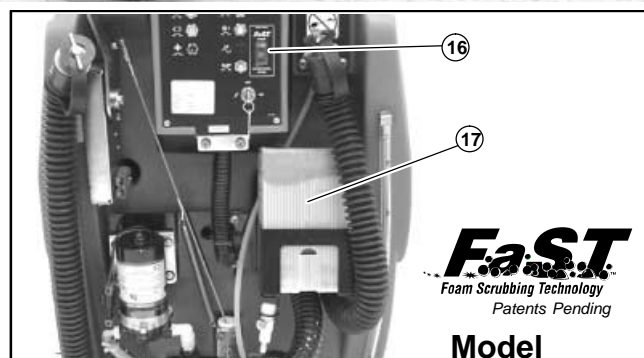
ADVERTENCIA: Las baterías emiten hidrógeno gaseoso. Existe peligro de incendio o explosión. Mantenga chispas y llamas alejadas de la máquina. Mantenga las tapas abiertas durante la operación de carga.



COMPONENTES DE LA MÁQUINA
















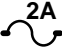

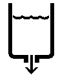





1. Contacto para la llave
2. Indicador luminoso de encendido/apagado
3. Botón de control de la velocidad
4. Interruptor de presión del cepillo
5. Indicador de la presión del cepillo
6. Nivel de carga de la batería.
7. Puños de control
8. Interruptor de encendido/apagado de la disolución
9. Palanca de elevación de la escobilla de goma
10. Consola de control
11. Palanca de ajuste de la altura de la consola de control
12. Botón de parada
13. Interruptor de encendido/apagado del tubo de aspiración
14. Interruptor de encendido/apagado del sistema ES™ (opcional)
15. Indicador luminoso de la bomba del sistema ES™ (opcional)
16. Interruptor de Encendido/Apagado del sistema FaST™ (opcional)
17. Sistema Dosificador FaST™ PAK (opcional)
18. Enchufe del cargador
19. Manguera de vaciado del depósito de recuperación
20. Manguera de vaciado del depósito de la disolución
21. Abertura de llenado de la disolución
22. Mando de ajuste del flujo de disolución



23. Manguera de aspiración de la escobilla de goma
24. Conjunto de la escobilla de goma
25. Palometas de la escobilla de goma
26. Rodillos de pared
27. Tapa del depósito de recuperación
28. Depósito de recuperación
29. Depósito de la disolución
30. Cabezal de fregado de disco intercambiable
31. Tornillo de nivelación del cabezal de fregado
32. Aleta del cabezal de fregado
33. Ruedas impulsoras
34. Panel de cortacircuitos
35. Manguera de nivel del depósito de la disolución
36. Freno de estacionamiento
37. Cepillo cilíndrico intercambiable Cabezal de fregado

OPERACIÓN

CONTROL CONSOLE SYMBOLS

	Indicador luminoso de encendido		FaST™ Interruptor (Modelo FaST™)		Cortacircuitos de 25 A del motor de aspiración
	Velocidad baja		Cortacircuitos de 10 A del circuito principal		Sistema ES™ (Fregado prolongado)
	Velocidad rápida		Cortacircuitos de 30 A del motor del cepillo (Dcho.)		Bomba del sistema ES™ Indicador luminoso
	Interruptor de presión del cepillo		Cortacircuitos de 30 A del motor del cepillo (Izqdo.)		Tubo alargador
			Fusible de 2 A del circuito		Freno de estacionamiento
	Interruptor de la disolución y Control de la disolución		Cortacircuitos de 15 A del motor impulsor		Lea el Manual antes de utilizar la máquina
	Indicador de la presión del cepillo		Sistema FaST™, cortacircuitos de 10 A (opcional)		
	Nivel de carga de la batería				

INSTALACIÓN DE LA MÁQUINA

DESEMBALADO DE LA MÁQUINA

1. Compruebe cuidadosamente si la caja presenta señales de deterioro. En caso de que encuentre daños, informe inmediatamente al transportista.
2. Compruebe el contenido de la caja con la lista adjunta, póngase en contacto con el distribuidor si falta algo.

Contenido de la caja:

- Bandeja de la batería
- 4 Baterías, 235 Ah 6 V
- 3 Cables para las baterías
- 8 Tapas para los bornes de la batería
- 8 Manguitos de goma para el cable de la batería
- Conj. Rasqueta
- Cargador De Batería (Separately Empaquetado)

Cepillos de fregado, impulsores de las almohadillas y almohadillas deben adquirirse separadamente (Consulte la sección LISTA DE PIEZAS).

3. Para desembalar la máquina: desatornille la parte trasera del chasis del pallet de transporte, retire las cintas de transporte y retire la máquina del pallet con una rampa o ayuda de alguien.

ATENCIÓN: No haga rodar la máquina para retirarla del pallet porque podría averiarse.

ATENCIÓN: Para evitar el posible deterioro de la máquina, instale las baterías antes de retirar la máquina del pallet de transporte.

INSTALACIÓN DE LAS BATERÍAS

⚠ ADVERTENCIA: Mantenga alejadas las chispas y las llamas expuestas. Al cargar mantenga abierta la cubierta de la batería.

PARA SU SEGURIDAD: Al revisar la máquina, Al manejar las baterías o los cables de batería use guantes protectores y anteojos de seguridad. Evite el contacto con el ácido de la batería.

Características recomendadas de la batería:

Cuatro baterías de ciclo profundo de 6 voltios, 235 amperios hora. Las dimensiones máximas de la batería son 181 mm (7,13 pulg.) Anc. x 260 mm (10,25 pulg.) Long. x 292 mm (11,50 pulg.) Alt.

1. Retire la llave de la máquina y ponga el freno de estacionamiento, si existe.

2. Gire el depósito de recuperación sobre su bisagra para acceder al compartimento de la batería. Retire los cables sueltos de la batería de sus compartimento (Figura 1).

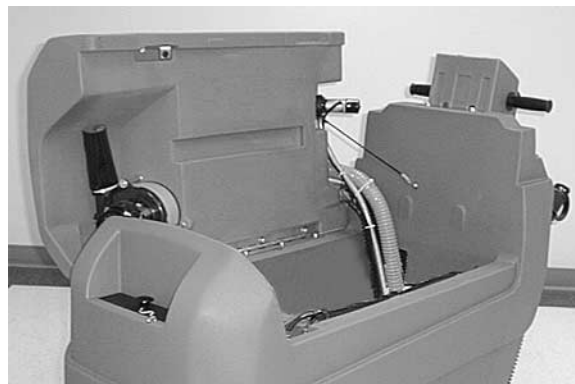


FIG. 1

3. Instale con cuidado las baterías en la bandeja del compartimento de la batería y coloque los bornes de la batería como se indica. (Figura 2).

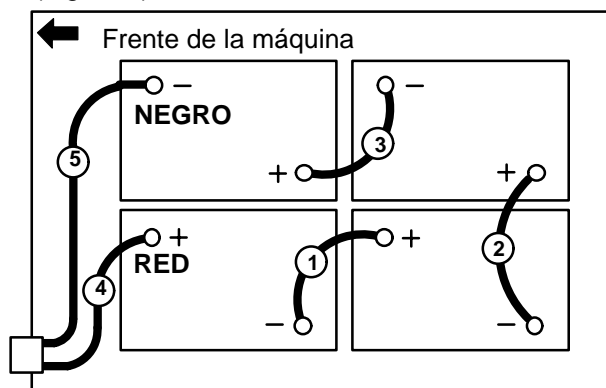


FIG. 2

ATENCIÓN: No deje caer las baterías en su compartimento o las baterías y su soporte podrían resultar dañados. La garantía no cubre estos daños.

4. Antes de conectar los cables de la batería, asegúrese de que los bornes y terminales están limpios. Utilice un limpiador de bornes y un cepillo de alambre para limpiar bornes y terminales.
5. Conecte los cables a los bornes de la batería en el orden numérico indicado, ROJO A POSITIVO y NEGRO A NEGATIVO, utilice las fundas y manguitos de goma adjuntos para los bornes de la batería (Figura 2).

NOTA: Aplique una capa ligera de grasa no metálica o spray protector en las conexiones del cable para evitar la corrosión de la batería.

6. Compruebe el nivel de carga de la batería. La máquina debe estar funcionando para obtener el valor correcto (Consulte la sección FUNCIONAMIENTO DE LA MÁQUINA). Cargue las baterías en caso necesario.

INSTALACIÓN DE LA MÁQUINA

INSTALACIÓN DEL CONJUNTO DE LA ESCOBILLA DE GOMA

1. Gire la llave hasta la posición de apagado.

PARA SU SEGURIDAD: Antes de abandonar o revisar la máquina, deténgase en una superficie plana, apague la máquina y ponga el freno de estacionamiento, si existe.

2. Levante la abrazadera del soporte de la escobilla de goma con la palanca de elevación de la escobilla de goma (Figura 3).



FIG. 3

3. Afloje las dos palometas de las escobilla de goma e introduzca la escobilla en las ranuras de la abrazadera del soporte de la escobilla de goma. Apriete bien las palometas (Figura 4).

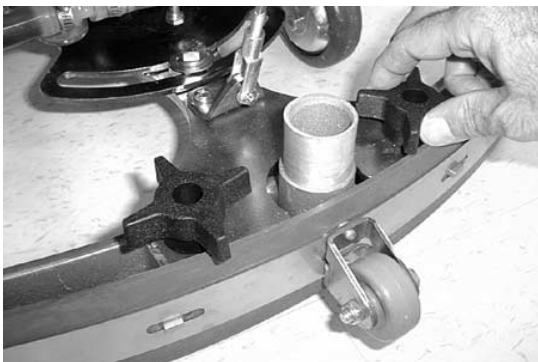


FIG. 4

4. Conecte la manguera de aspiración al conjunto de la escobilla de goma, asegúrese de que la manguera de aspiración constituye una separación con ayuda de la banda de goma adjunta (Figura 5).

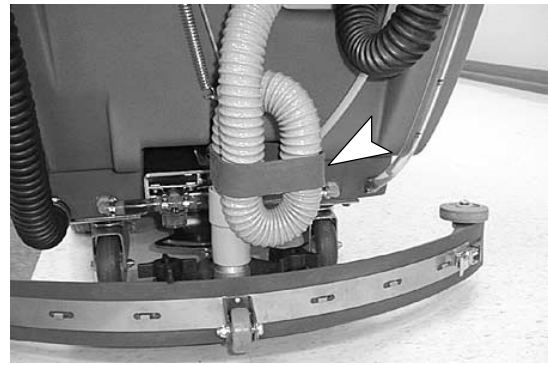


FIG. 5

INSTALACIÓN DE CEPILLOS/ALMOHADILLAS (Modelo con cabezal de fregado de disco)

NOTA: Consulte a un distribuidor autorizado acerca de los cepillos y almohadillas recomendados.

1. Pulse la mitad inferior del interruptor de presión del cepillo hasta que el cabezal de fregado esté totalmente elevado (Figura 6).



FIG. 6

2. Gire la llave hasta la posición de apagado.

PARA SU SEGURIDAD: Antes de abandonar o revisar la máquina, deténgase en una superficie plana, apague la máquina y ponga el freno de estacionamiento, si existe.

3. Instale las almohadillas en sus impulsores antes de instalar los impulsores. Asegure la almohadilla con el cierre central (Figura 7).

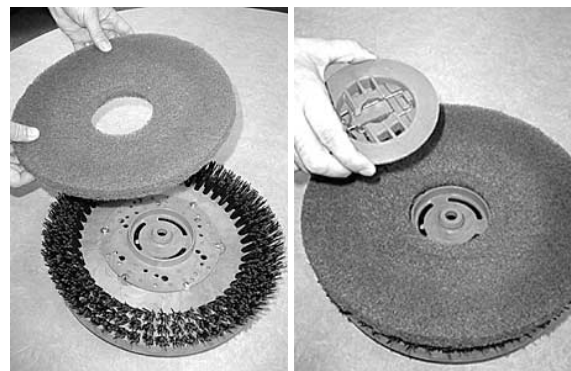


FIG. 7

4. Alinee el impulsor del cepillo/almohadilla por debajo del cubo del motor y empuje el impulsor hacia arriba para encajarlo en su lugar. Asegúrese que los impulsores de cepillos/almohadillas estén bien sujetos antes de poner la máquina en marcha (Figura 8).

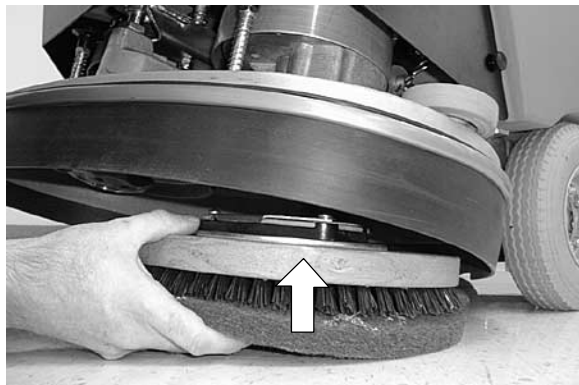


FIG. 8

5. Para extraer los impulsores del cepillo/la almohadilla: levante el cabezal de fregado, apague la máquina, extraiga la llave y empuje hacia abajo los mandos de liberación del cepillo (Figura 9).

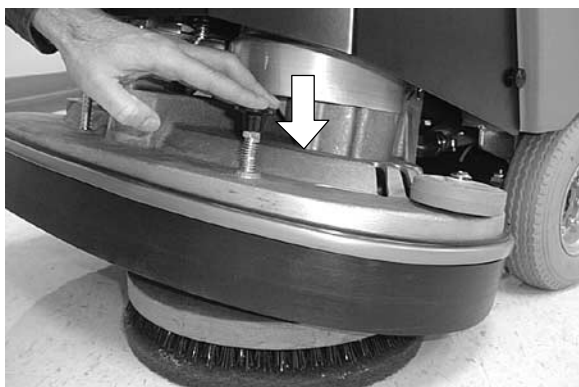


FIG. 9

(Modelo con cabezal de fregado con cepillo cilíndrico)

Consulte la sección EXTRACCIÓN DE CEPILLOS/ALMOHADILLAS.

INSTALACIÓN DEL PRODUCTO FaST™ PAK (OPCIONAL)

La máquina debe estar equipada con el sistema FaST™.

1. Abra el envase del limpiador concentrado para suelos FaST™ Pak 365 por las marcas perforadas con este fin. No retire la bolsa del envase. Extraiga el conector de la manguera de la bolsa situado en la parte inferior de dicha bolsa y retire el tapón naranja de la manguera del conector (Figura 10).

ATENCIÓN: El limpiador concentrado de suelos FaST™ Pak 365 está diseñado específicamente para su utilización con el sistema de fregado FaST™. No utilice NUNCA sustitutos, podría averiar la máquina.

PARA SU SEGURIDAD: Al utilizar la máquina, siga siempre las instrucciones de uso indicadas en el envase del producto químico.

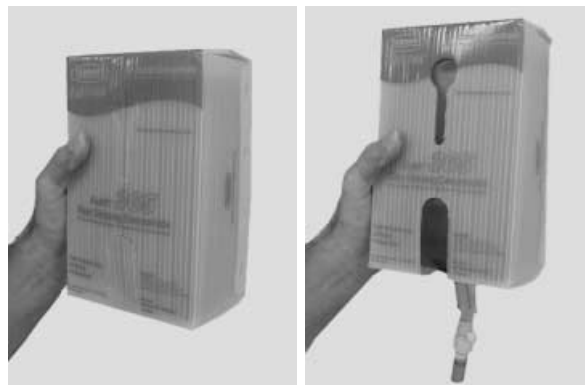


FIG. 10

2. Coloque el envase de FaST™ PAK en el soporte situado en la parte posterior de la máquina y conecte la manguera de alimentación a la bolsa del FaST™ PAK (Figura 11).

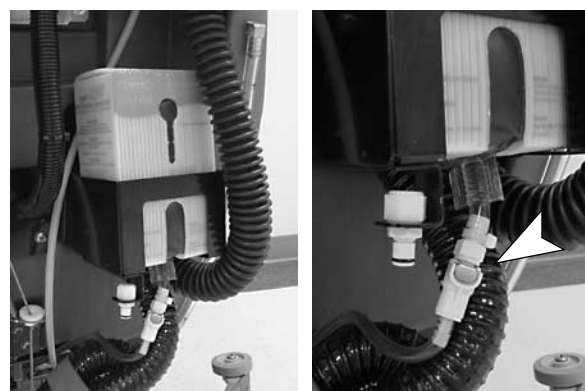


FIG. 11

NOTA: Si observa restos de producto concentrado seco en el conector de la manguera de alimentación o en el conector del FaST™ PAK, sumérjalos y límpielos con agua caliente.

OPERACIÓN

3. Asegúrese de conectar la manguera de alimentación en el orificio de almacenamiento de la manguera cuando no la esté utilizando (Figura 12). Esto evitará que el sistema de disolución FaST™ se reseque y se bloquee la manguera de alimentación.



FIG. 12

4. El sistema de disolución FaST™ deberá cebarse antes de la primera utilización. Para cebar dicho sistema, asegúrese de que el depósito de disolución esté vacío y haga funcionar la máquina en el modo de fregado FaST™ durante tres minutos. (Consulte el apartado de FUNCIONAMIENTO DE LA MÁQUINA). **Sólo es necesario realizar este paso antes de utilizar el sistema FaST™ por primera vez.**

LLENADO DEL DEPÓSITO DE LA DISOLUCIÓN

ATENCIÓN: UTILICE ÚNICAMENTE AGUA LIMPIA Y FRÍA cuando utilice el sistema FaST™ opcional. NO AÑADA productos limpiadores al depósito de disolución. La adición de limpiadores/restauradores tradicionales puede averiar el sistema de disolución FaST™.

1. Dirija la máquina a la estación de llenado. Mantenga la escobilla de goma y el cabezal de fregado levantados durante el transporte.
2. Gire la llave hasta la posición de apagado.

PARA SU SEGURIDAD: Antes de abandonar o revisar la máquina, deténgase en una superficie plana, apague la máquina y ponga el freno de estacionamiento, si existe.

3. Retire la tapa del orificio de llenado de la máquina y llene el depósito de disolución con agua caliente limpia, a una temperatura máxima de 60°C (140°F). La manguera transparente de la parte trasera de la máquina indica la cantidad de agua del depósito de disolución (Figura 13).



FIG. 13

4. Añada la cantidad de detergente de acuerdo con las instrucciones del envase. **NO AÑADA** productos limpiadores al depósito de disolución para el fregado con el sistema FaST™ (opcional).

PARA SU SEGURIDAD: Al utilizar la máquina, siga las instrucciones de manipulación y mezcla indicadas en los envases de los productos químicos.

ATTENTION: Use only recommended cleaning detergents for conventional scrubbing, DO NOT use substitutes. Consult an authorized distributor for cleaning detergent recommendations.

⚠ ADVERTENCIA: No use líquidos inflamables ni opere la máquina en o cerca de líquidos o vapores inflamables o polvos combustibles.

5. Si su máquina tiene un sistema ES™ opcional, vierta de 10 a 38 litros (5 a 10 galones) de agua caliente, 65°C (145°F) de temperatura máxima, en el depósito de recuperación (Figura 14) (Consulte el apartado de FUNCIONAMIENTO DEL SISTEMA ES™ OPCIONAL).



FIG. 14

FUNCIONAMIENTO DE LA MÁQUINA

PARA SU SEGURIDAD: No utilice la máquina antes de haber leído y entendido el manual.

COMPROBACIONES PREVIAS A LA UTILIZACIÓN

1. Barra el suelo y quite el polvo (sólo en modelos con cepillo de disco).
2. Compruebe el nivel de carga de la batería, la máquina debe estar funcionando para obtener el valor correcto.
3. Compruebe que los cepillos/almohadillas estén instalados.
4. Baje los cepillos/almohadillas hasta el suelo y compruebe que la aleta de fregado toca el suelo en todo el perímetro del cabezal de fregado.
5. Compruebe que la escobilla esté instalada y que las láminas de la escobilla se encuentran en buenas condiciones.
6. Compruebe que el depósito de residuos esté instalado y vacío (modelo con cepillo cilíndrico).
7. Fregado con sistema FaST™ (opcional): Controle que el depósito de disolución esté lleno de agua limpia y fría, sin ningún producto añadido. Vacíe completamente los detergentes/restauradores convencionales que haya en el depósito de disolución y aclare dicho depósito. Controle el nivel de producto FaST™ PAK y sustituya el envase en caso necesario.

OPERACION DE LA MAQUINA

NOTA: Si la máquina está equipada con un sistema FaST™ o un sistema ES™ opcionales, consulte en las páginas 46 las instrucciones adicionales de funcionamiento.

1. Quite el freno de estacionamiento, si existe (Figura 15).



FIG. 15

2. Ajuste la consola de control a una altura de trabajo cómoda, 5 ajustes. Para ajustar la altura, tire del mando de la consola de control y súbala o bájela a la altura deseada, suelte el mando para inmovilizar la consola en posición (Figura 16).



FIG. 16

3. Gire la llave y el interruptor de la disolución a la posición de encendido.
4. Para fregar de modo convencional con el modelo con sistema FaST™, asegúrese de que el interruptor de dicho sistema se encuentra en la posición de apagado (O) (Figura 17).



FIG. 17

5. Baje el conjunto de la escobilla de goma hasta el suelo utilizando la palanca de elevación de la escobilla, el motor de aspiración se activará automáticamente (Figura 18).



FIG. 18

OPERACIÓN

6. Pulse la mitad superior del interruptor de presión del cepillo para bajar el cabezal de fregado hasta el suelo (Figura 19).



FIG. 19

NOTA: Los cepillos y el flujo de disolución se activarán al girar los puños de control.

7. Gire el botón de control de la velocidad al ajuste más lento (Figura 20).



FIG. 20

8. Gire completamente los puños de control hacia delante y gire paulatina mente el botón de control de la velocidad hasta alcanzar la velocidad máxima de fregado deseada (Figura 21).



FIG. 21

9. Gire el botón del flujo de la disolución a la posición deseada (Figura 22).

NOTA: Al fregar con el sistema FaST™, dicho sistema ajusta previamente el flujo de disolución.



FIG. 22

10. Controle la presión del cepillo cuando la máquina esté en funcionamiento. El valor debe encontrarse en la zona verde, pulse el interruptor de presión del cepillo para ajustarla (Figura 23).

ATENCIÓN: No utilice la máquina cuando el indicador de la presión de la almohadilla se encuentre en la zona roja, el cortacircuitos se activará y puede deteriorar el suelo.

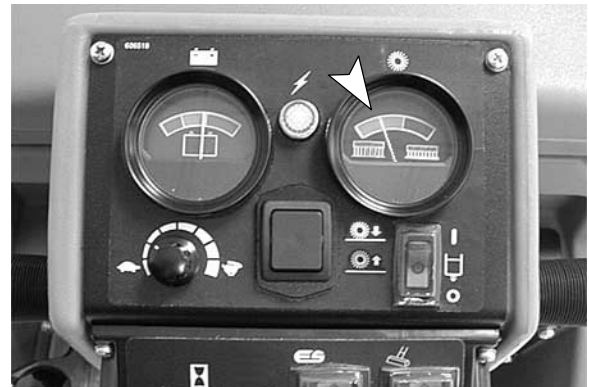


FIG. 23

11. Para desplazar la máquina marcha atrás, gire los mandos de control gradualmente hacia atrás.
12. Para detener el fregado, suelte los mandos de control y eleve el cabezal de fregado y la escobilla de goma.
13. Después de la operación de fregado, realice las Operaciones Diarias de Mantenimiento (Consulte la sección de MANTENIMIENTO DE LA MÁQUINA).

PARADA DE EMERGENCIA

En caso de emergencia durante la utilización de la máquina, pulse el botón de parada de la parte posterior de la consola de control para detener la máquina. Gire el botón en el sentido de las agujas del reloj para reajustarlo (Figura 24).



FIG. 24

FUNCIONAMIENTO DEL SISTEMA DE FREGADO FaST (OPCIONAL)

Funcionamiento del sistema FaST™ (Foam Scrubbing Technology) El producto concentrado FaST™ PAK se inyecta en el sistema mezclado con una pequeña cantidad de agua y aire comprimido. La mezcla produce gran cantidad de espuma húmeda expandida. La mezcla de espuma expandida se aplica sobre el suelo mientras dos discos de fregado están en funcionamiento. Cuando la escobilla de goma recoge la mezcla, el agente espumante patentado ya ha perdido su volumen y puede recogerse en el depósito de recuperación. La utilización del sistema FaST™ puede incrementar un 30 % la eficacia del fregado gracias a la reducción del ciclo de vaciado/llenado. También reduce el empleo de productos químicos y el espacio necesario para el almacenamiento. Un envase FaST™ PAK de producto concentrado puede fregar hasta 1 millón de pies cuadrados.

1. Asegúrese de que el envase de producto limpiador concentrado de suelos FaST™ PAK 364 esté instalado correctamente (consulte el apartado de INSTALACIÓN DEL PRODUCTO FaST PAK).
2. Controle que el depósito de disolución esté lleno de agua limpia y fría, sin ningún producto añadido. NO AÑADA productos limpiadores convencionales al depósito de disolución. La adición de productos limpiadores/restauradores convencionales puede provocar el fallo prematuro del sistema FaST™.

3. Sitúe el interruptor del sistema FaST™ en la posición (I) (Figura 25).

NOTA: Para fregar únicamente con agua limpia, basta pulsar el interruptor del sistema FaST™ y situarlo en la posición de apagado (O). Esto permitirá utilizar la máquina para aplicaciones de aclarado.



FIG. 25

4. Asegúrese de que el interruptor principal de disolución se encuentra en la posición de ENCENDIDO (ON).

NOTA: Cuando el sistema FaST™ está activado, la regulación del flujo de agua procedente del depósito de disolución es automática. En el modo de fregado FaST™, no es posible ajustar el flujo de disolución mediante el botón de Control del Ajuste de Disolución.

5. Siga las instrucciones de FUNCIONAMIENTO DE LA MÁQUINA para iniciar la operación de fregado.

Información general: Una misma máquina no puede estar equipada simultáneamente con los sistemas ES™ y FaST™.

FUNCIONAMIENTO DEL SISTEMA ES™ OPCIONAL

El sistema ES™ opcional prolonga el tiempo de fregado reutilizando el agua recuperada. El agua recuperada se filtra y recicla y vuelve al depósito para su reutilización.

NOTA: Los modelos con sistema FaST™ no incluyen el sistema ES™ (opcional).

OPERACIÓN

1. Vierta de 19 a 38 litros (5 a 10 galones) de agua caliente, a una temperatura máxima de 60°C (140°F) en el depósito de recuperación al llenar el depósito de la disolución (Figura 26).

⚠ ADVERTENCIA: Los materiales inflamables pueden provocar explosiones o incendios. No utilice materiales inflamables en los depósitos.



FIG. 26

2. Encienda el interruptor del sistema ES™ cuando esté listo para comenzar la operación de fregado. El indicador luminoso del sistema ES™ se encenderá y apagará automáticamente cuando el depósito de recuperación alcance su punto de reciclaje (Figura 27).



FIG. 27

NOTA: Si permanece encendido el indicador luminoso, vacíe los depósitos y limpie el filtro ES™ que se encuentra en el depósito de recuperación.

3. Siga las instrucciones de FUNCIONAMIENTO DE LA MÁQUINA para iniciar la operación de fregado.

DURANTE LA UTILIZACIÓN DE LA MÁQUINA

PARA SU SEGURIDAD: Conduzca despacio cuando utilice la máquina en pendientes o superficies resbaladizas.

1. Haga que las pistas de fregado solapen 50 mm (2 pulg.)
2. Mantenga la máquina en movimiento para evitar que el acabado del suelo se deteriore.
3. Controle la presión del cepillo cuando la máquina esté en funcionamiento. El valor debe encontrarse en la zona verde, pulse el interruptor de presión del cepillo para ajustarla.

ATENCIÓN: No utilice la máquina cuando el indicador de la presión de la almohadilla se encuentre en la zona roja, el cortacircuitos se activará y puede deteriorar el suelo.

4. Compruebe periódicamente si la formación de espuma en el depósito de recuperación es excesiva. Vierta un producto para el control de la formación de espuma en el depósito de recuperación si existe demasiada espuma.

ATENCIÓN: No permita que se introduzca espuma o agua en el filtro de flotador de cierre porque podría averiarse el motor de aspiración; la garantía no cubre este tipo de averías. La espuma no activará el filtro del flotador de cierre.

5. Para zonas muy sucias, se recomienda el fregado doble. En primer lugar, friegue la zona con la escobilla de goma elevada, permita que la disolución actúe durante 3–5 minutos y, a continuación, friegue la zona por segunda vez con la escobilla de goma bajada.
6. Cabezal de fregado de disco: Cambie o gire las almohadillas cuando estén gastadas.
7. Cabezal de fregado con cepillo cilíndrico: Si las vibraciones del cepillo son excesivas o el fregado no es satisfactorio, consulte el apartado AJUSTE DEL CEPILLO DE FREGADO.
8. Si la escobilla de goma deja marcas, eleve y limpie las láminas con un paño. Barra con anterioridad la zona que desea fregar para evitar la formación de marcas.
9. Controle el nivel de carga de la batería. Cuando el indicador se encuentre en la zona roja, detenga el fregado y recargue las baterías.

ATENCIÓN: No utilice la máquina cuando el indicador de nivel de carga de la batería se encuentra en la zona roja, podría averiar la batería.

⚠ ADVERTENCIA: No aspire materiales inflamables o metales reactivos.

FUNCIONAMIENTO DEL TUBO ALARGADOR OPCIONAL

El tubo alargador opcional le permite fregar áreas que se encuentran fuera del alcance de la máquina.

NOTA: Los modelos con sistema FaST™ no incluyen el tubo opcional para acceder a lugares difíciles.

1. Gire la llave a la posición de apagado y ponga el freno de estacionamiento, si existe.

PARA SU SEGURIDAD: Antes de abandonar o revisar la máquina, deténgase en una superficie plana, apague la máquina y ponga el freno de estacionamiento, si existe.

2. Conecte la manguera de la disolución al acoplamiento de desconexión rápida situado detrás de la rueda impulsora derecha (Figura 28).

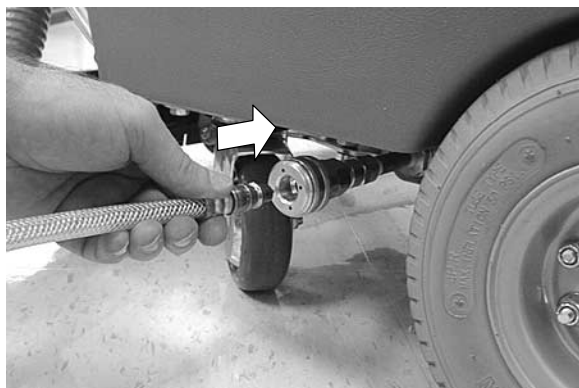


FIG. 28

3. Desconecte la manguera de aspiración de la escobilla de goma del conjunto de la escobilla de goma y conecte la manguera de aspiración del tubo con el adaptador suministrado con el tubo (Figura 29).

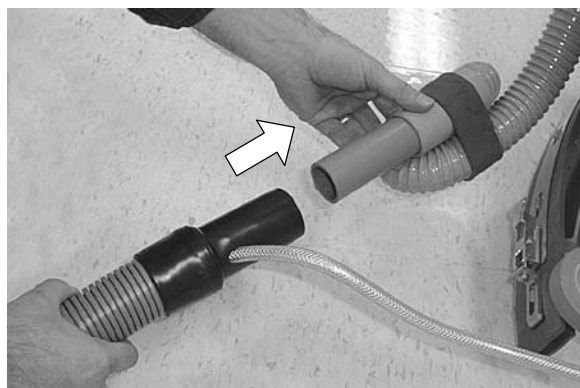


FIG. 29

4. Conecte las mangueras al tubo.

5. Gire la llave y el interruptor del tubo a la posición de encendido (Figura 30).



FIG. 30

6. Baje el mando de la palanca de la escobilla de goma para activar el motor de aspiración (Figura 31).



FIG. 31

7. Apriete la palanca del tubo y rocíe el suelo con disolución. Friegue el suelo con el lado del cepillo del tubo y recoja la disolución con el lado de la escobilla de goma del tubo (Figura 32).

⚠ ADVERTENCIA: No aspire materiales inflamables o metales reactivos.



FIG. 32

OPERACIÓN

CORTACIRCUITOS/FUSIBLE

El modelo 5400 está equipado con cinco cortacircuitos reajustables y un fusible para proteger la máquina de averías. Si el cortacircuitos se activa durante la utilización, determine la causa de la activación, deje que el motor se enfríe y reajuste el cortacircuitos manualmente. Si sustituye el fusible, no utilice nunca uno de valor superior al especificado. El panel de cortacircuitos se encuentra en la parte trasera de la máquina (Figura 33).

- Cortacircuitos principal de 10 AM
- Cortacircuitos de 15 A del motor impulsor
- Cortacircuitos de 25 A del motor de aspiración
- Cortacircuitos de 30 A del motor del cepillo (2)
- Fusible de 2A del circuito
- 10 A Sistema FaST™ (opcional)



FIG. 33

CONTADOR DE HORAS

El contador de horas registra el número de horas que la máquina ha estado en funcionamiento. Utilice el contador de horas para determinar cuándo deben realizarse las operaciones de mantenimiento y registrar el historial de servicio (Figura 34).

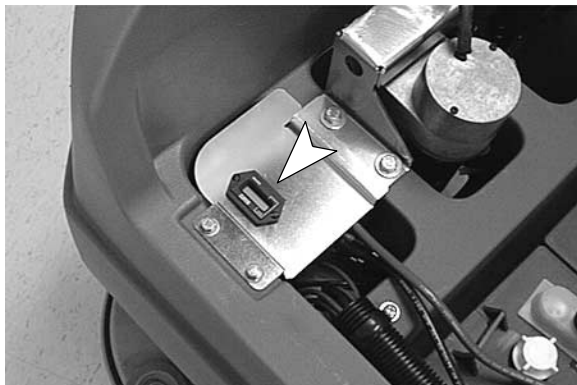


FIG. 34

VACIADO DE LOS DEPÓSITOS

Vaciado del depósito de recuperación:

- Después de cada uso.
- Entre dos operaciones de llenado del depósito de disolución.
- Cuando la escobilla de goma no recoja bien el agua.
- Cuando se detenga el flujo de la disolución.
- Cuando el filtro del flotador de cierre, situado en el interior del depósito de recuperación, se active.
- Si el indicador luminoso del sistema ES™ opcional se mantenga encendido.

1. Dirija la máquina a un desagüe del suelo y gire la llave a la posición de apagado

PARA SU SEGURIDAD: Antes de abandonar o revisar la máquina, deténgase en una superficie plana, apague la máquina y ponga el freno de estacionamiento, si existe.

2. Extraiga la manguera de vaciado de su soporte. La manguera del lado derecho vacía el depósito de recuperación y la del lado izquierdo el depósito de la disolución. Gire el mando de la manguera de vaciado en sentido contrario al de las agujas del reloj y quite el tapón para vaciar el depósito (Figura 35).

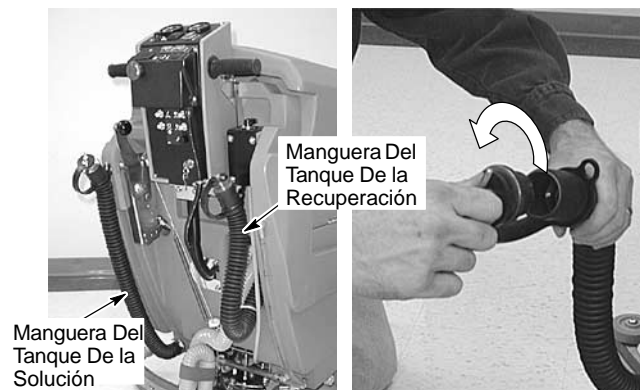


FIG. 35

3. Aclare el depósito de recuperación con agua limpia.
4. Si ha utilizado el sistema ES™ opcional, también deberá vaciar el depósito de la disolución. Aclare el depósito de la disolución con agua limpia.
5. Vuelva a colocar el (los) tapón(tapones) de la manguera de vaciado.
6. Después de terminar la operación de fregado, realice las Operaciones Diarias de Mantenimiento (Consulte la sección MANTENIMIENTO DE LA MÁQUINA).

AJUSTE DEL CABEZAL DE FREGADO

CABEZAL DE FREGADO CON CEPILLO DE DISCO

NOTA: Antes de ajustar el cabezal de fregado, compruebe la presión de las llantas y llene el depósito de la disolución.

1. Baje el cabezal de fregado con los cepillos/almohadillas instalados hasta el suelo y aplique la presión máxima a la almohadilla.
2. Apague la máquina y retire la llave del contacto

PARA SU SEGURIDAD: Antes de abandonar o revisar la máquina, deténgase en una superficie plana, apague la máquina y ponga el freno de estacionamiento, si existe.

3. Mida la distancia desde el borde superior del cabezal de fregado al suelo en el centro delantero y trasero del cabezal de fregado (Figura 36).



FIG. 36

4. Si el cabezal de fregado no está nivelado, afloje la tuerca de fijación y gire el tornillo de nivelación de dicho cabezal para nivelarlo, necesitará una llave de 1 pulgada. Vuelva a apretar la tuerca de fijación una vez nivelado el cabeza (Figura 37).

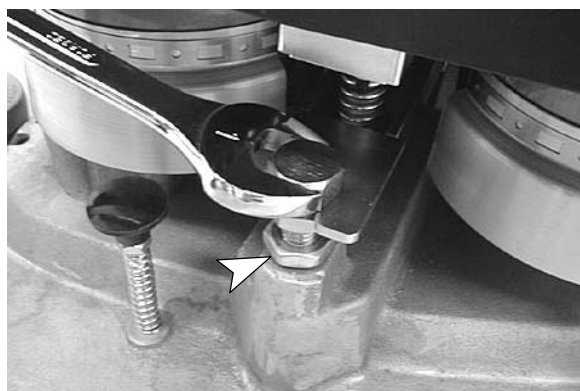


FIG. 37

CABEZAL DE FREGADO CON CEPILLO CILÍNDRICO

Para comprobar el correcto ajuste del cepillo realice las siguientes operaciones:

NOTA: Antes de comprobar o ajustar el cepillo de fregado, compruebe la presión de las llantas y llene el depósito de la disolución.

1. Aplique un producto en forma de polvo, como tiza, en un suelo liso y horizontal.
2. Coloque la máquina, con el cabezal de fregado elevado, de modo que dicho cabezal se sitúe sobre la zona de prueba y ponga el freno de estacionamiento, si existe.
3. Baje el cabezal de fregado hasta el suelo aplicando la presión mínima del cepillo.
4. Gire el interruptor de la disolución hasta la posición de apagado.
5. Gire el botón de control de la velocidad a la velocidad más lenta y gire ligeramente los mandos de control hacia delante durante 2 segundos mientras mantiene la máquina inmóvil.

NOTA: Si no dispone de ningún producto en polvo, deje funcionar los cepillos durante 30 segundos sobre el mismo lugar.

6. Quite el freno de estacionamiento, eleve el cabezal de fregado y aleje la máquina de la zona de prueba desplazándose marcha atrás.
7. Observe en el suelo el patrón del cepillo. Los dos cepillos deben dejar un patrón paralelo y uniforme (Figura 38).

PATRÓN DEL CEPILLO CORRECTO

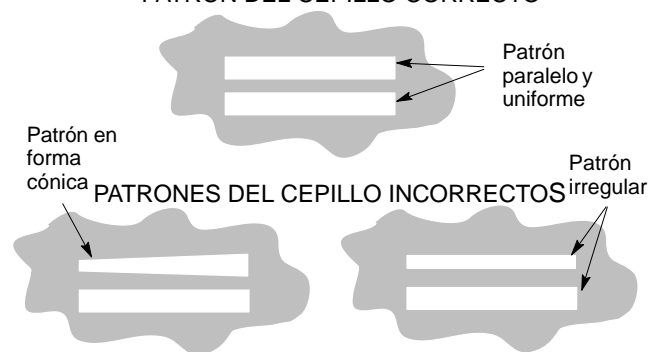


FIG. 38

8. Si el patrón del cepillo es incorrecto, necesitará ajustarlo.

OPERACIÓN

Ajuste del patrón irregular de un cepillo cilíndrico:

1. Baje el cabezal de fregado hasta el suelo y aplique la presión máxima al cepillo.
2. Apague la máquina y retire la llave del contacto

PARA SU SEGURIDAD: Antes de abandonar o revisar la máquina, deténgase en una superficie plana, apague la máquina y ponga el freno de estacionamiento, si existe.

3. Mida la distancia desde el borde inferior del cabezal de fregado al suelo en las cuatro esquinas (Figura 39).

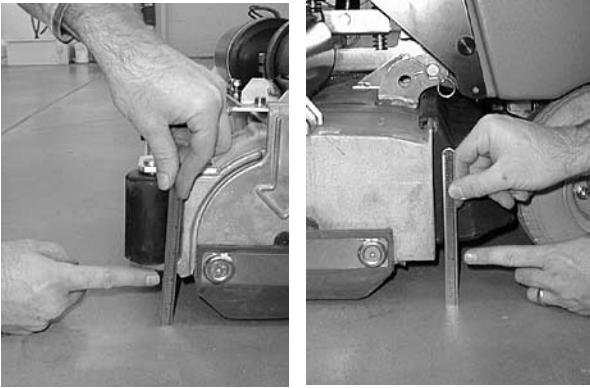


FIG. 39

4. Si el cabezal no está horizontal, afloje la tuerca de fijación y gire el tornillo en el sentido de las agujas del reloj para reducir la anchura trasera del cepillo o en sentido contrario al de las agujas del reloj para reducir la anchura delantera del reloj, necesitará una llave de 1 pulgada (Figura 40).

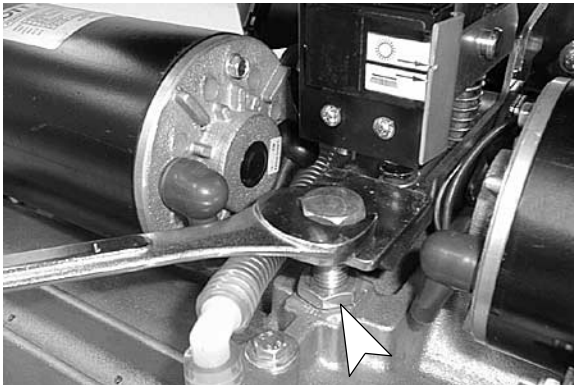


FIG. 40

5. Vuelva a comprobar el patrón del cepillo y a reajustar en caso necesario.

Ajuste del patrón cónico de un cepillo cilíndrico:

1. Eleve el cabezal de fregado del suelo y retire la llave de contacto.

PARA SU SEGURIDAD: Antes de abandonar o revisar la máquina, deténgase en una superficie plana, apague la máquina y ponga el freno de estacionamiento, si existe.

2. Extraiga la placa intermedia del patrón cónico del cepillo. Para extraer la placa intermedia del cabezal de fregado, empuje la lengüeta elástica del soporte hacia abajo y, a continuación, tire de la parte inferior de la placa hacia abajo y hacia fuera (Figura 41).

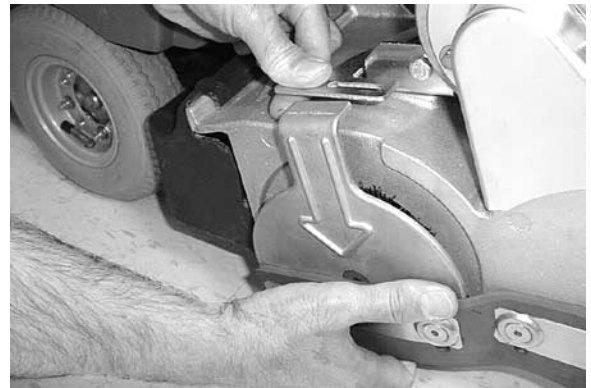


FIG. 41

3. Extraiga el extremo de la placa intermedia del cepillo.
4. Sujete el eje de la clavija del cepillo con una llave de 6 mm (0,374 pulg.) y afloje el tornillo de cabeza Allen, necesitará una llave Allen de 6 mm (Figura 42).



FIG. 42

- Para ajustar el cepillo delantero, gire el eje en el sentido de las agujas del reloj para bajar el extremo del cepillo. Para ajustar el cepillo trasero, gire el eje en sentido contrario al de las agujas del reloj para bajar el extremo del cepillo. Vuelva a apretar el tornillo Allen después del ajuste (Figura 43).

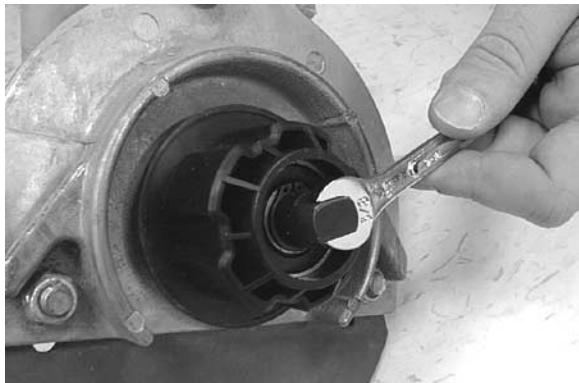


FIG. 43

- Vuelva a instalar la placa intermedia y compruebe de nuevo el patrón del cepillo y vuelva a ajustarlo en caso necesario.

EXTRACCIÓN DE CEPILLOS/ALMOHADILLAS

CABEZAL DE FREGADO DE DISCO

Sustituya los cepillos de disco si las cerdas están gastadas y su longitud es igual o inferior a 10 mm (0,38 pulg.)

NOTA: Sustituya siempre los cepillos por juegos. Nunca los sustituya individualmente.

- Pulse la mitad inferior del interruptor de presión del cepillo hasta que el cabezal de fregado esté totalmente elevado (Figura 6).
- Gire la llave hasta la posición de apagado.

PARA SU SEGURIDAD: Antes de abandonar o revisar la máquina, deténgase en una superficie plana, apague la máquina y ponga el freno de estacionamiento, si existe.

- Empuje hacia abajo los botones de liberación del cepillo para liberar los impulsores de los cepillos/almoHADILLAS de fregado (Figura 44).

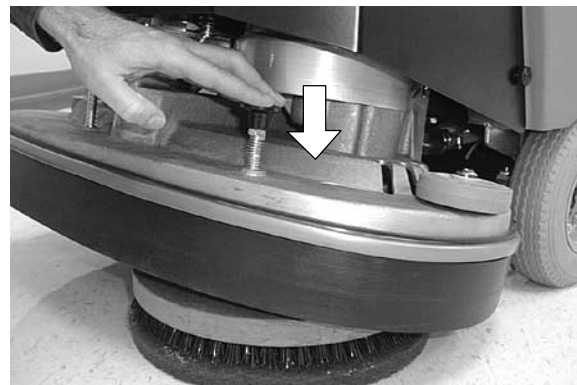


FIG. 44

- Empuje el clip de sujeción del cierre central para extraer la almohadilla (Figura 45).

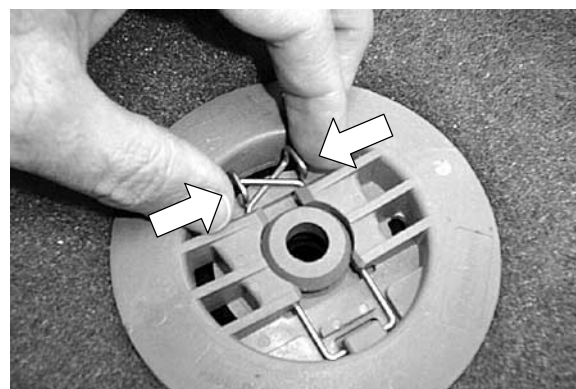


FIG. 45

CABEZAL DE FREGADO CILÍNDRICO

Sustituya los cepillos cilíndricos si las cerdas están gastadas y su longitud es igual a 10 mm (0,38 pulg.) o inferior.

NOTA: Sustituya siempre los cepillos por juegos. Nunca los sustituya individualmente.

- Eleve el cabezal de fregado del suelo y retire la llave de contacto.

PARA SU SEGURIDAD: Al abandonar o revisar la máquina, deténgase en una superficie plana, apague la máquina y ponga el freno de estacionamiento, si existe.

OPERACIÓN

2. Extraiga las placas intermedias del cabezal de fregado. Para extraer la placa intermedia, empuje de la lengüeta elástica del soporte hacia abajo y, a continuación, tire de la parte inferior de la placa hacia abajo y hacia fuera (Figura 46).

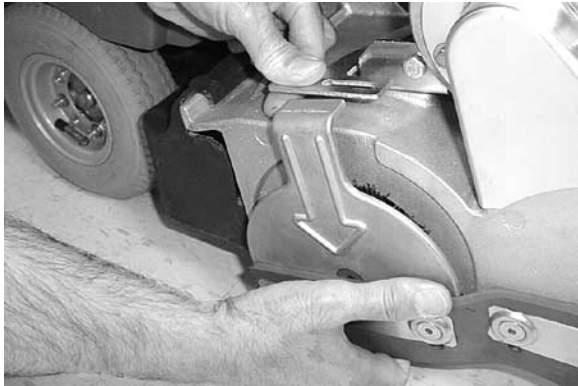


FIG. 46

3. Extraiga el extremo de la placa intermedia del cepillo. Extraiga el cepillo del cabezal de fregado.
4. Instale la placa intermedia en el cepillo de nuevo y vuelva a instalar el cepillo (Figura 47).

NOTA: Asegúrese de que el extremo del cepillo con la fila doble de cerdas se dirige hacia la placa intermedia.

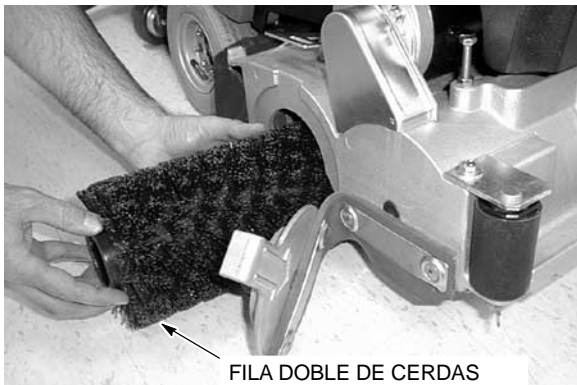


FIG. 47

5. Repita las mismas operaciones para el cepillo del lado opuesto del cabezal de fregado.
6. Compruebe el ajuste del cepillo (Consulte el apartado AJUSTE DEL CABEZAL DE FREGADO).

SUSTITUCIÓN DE LOS CABEZALES DE FREGADO

Existen dos tipos de cabezales de fregado disponibles para el modelo 5400: cepillo de disco y cepillo cilíndrico. Pueden intercambiarse fácilmente sin necesidad de herramientas.

El cabezal de fregado del cepillo de disco está diseñado para fregar superficies lisas sin residuos, y el cabezal de fregado de cepillo cilíndrico está diseñado para fregar suelos irregulares y de baldosas con residuos pequeños y ligeros.

1. Baje el cabezal de fregado hasta el suelo y no aplique ninguna presión al cepillo.
2. Apague la máquina, retire la llave y ponga el freno de estacionamiento, si existe.

PARA SU SEGURIDAD: Antes de abandonar o revisar la máquina, deténgase en una superficie plana, apague la máquina y ponga el freno de estacionamiento, si existe.

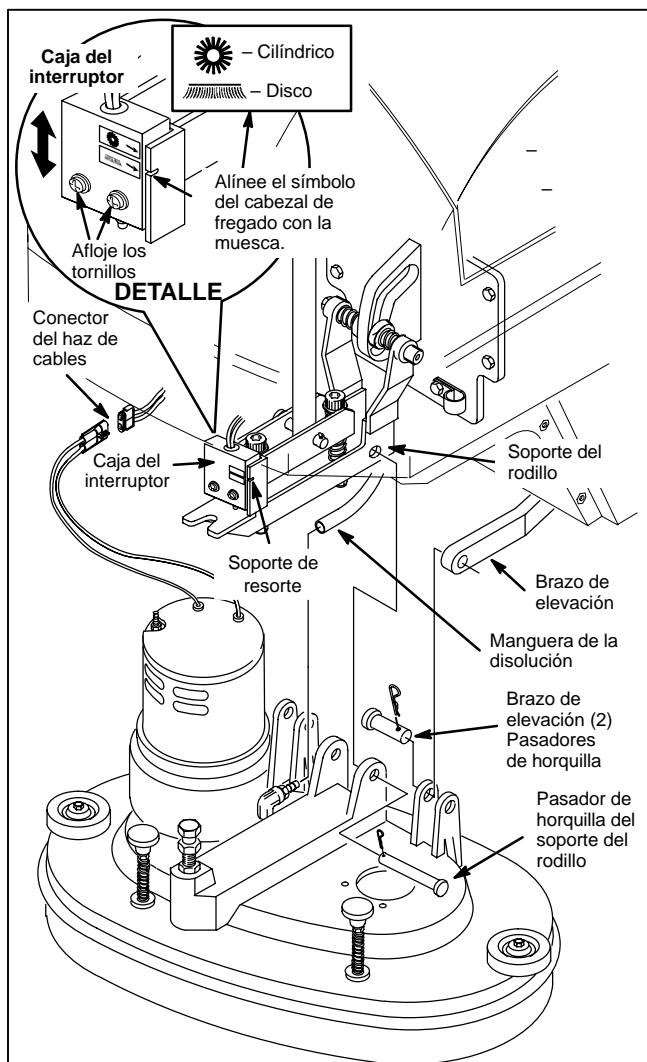
3. Retire la cubierta situada sobre el cabezal de fregado. El espaciador hexagonal sólo será necesario para el cabezal de fregado de cepillo cilíndrico (Figura 48).



FIG. 48

4. Desconecte la manguera de la disolución del cabezal de fregado (Figura 49).
5. Desenchufe los conectores del haz de cables del motor del cepillo (Figura 49).
6. Retire los dos pasadores de horquilla que conectan el cabezal de fregado con los brazos elevadores (Figura 49).

Para el cabezal de fregado de disco: Retire los tres pasadores de horquilla que conectan el cabezal de fregado al soporte del rodillo (Figura 49).



El cabezal de fregado de disco

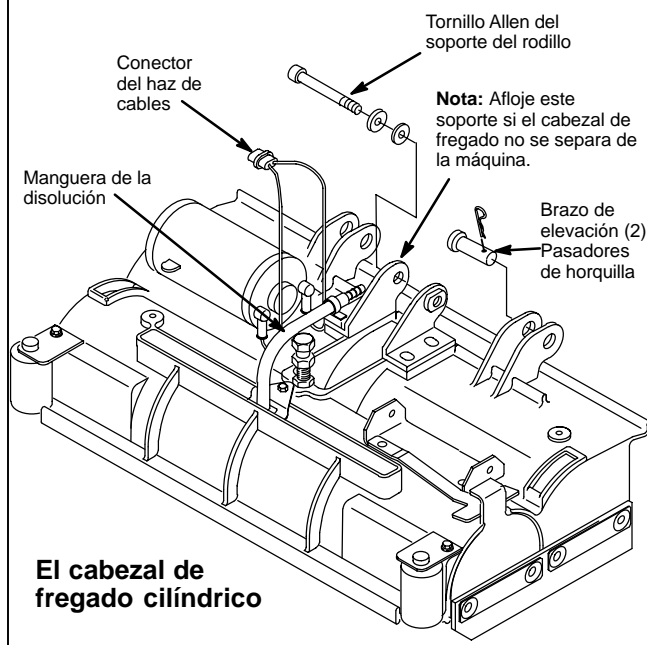


FIG. 49

Para el cabezal de fregado cilíndrico: Retire el tornillo Allen que conecta el cabezal de fregado al soporte del rodillo, utilice una llave Allen 5/16" (Figura 49).

7. Extraiga el cabezal de fregado de la máquina.
8. Afloje los dos tornillos de fijación de la caja de interruptores y alinee el símbolo del cabezal de fregado correspondiente, impreso en la caja de interruptores, con la muesca del soporte de resorte. (Figura 49 – DETALLE). Vuelva a apretar los tornillos después del ajuste.

NOTA: Si la caja de interruptores no está correctamente ajustada al instalar el cabezal de fregado de cepillo cilíndrico, esto podría causar el desgaste prematuro del cepillo.

9. Al cambiar al cabezal de fregado de cepillo cilíndrico deberá instalar los tornillos de tope de balanceo de la escobilla de goma, para lo que necesitará una llave de 17mm y una llave de tubo de 8 mm. Retire los tornillos cuando utilice un cabezal de fregado con cepillo de disco (Figura 50).

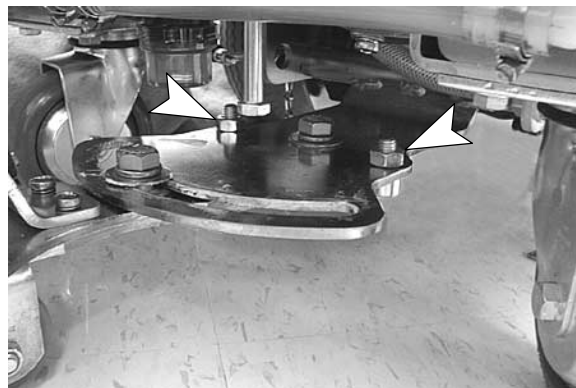


FIG. 50

10. Repita los pasos en orden inverso para instalar otro cabezal de fregado. Asegúrese de que el tornillo de nivelación encaja en la ranura del soporte como se muestra (Figura 51).



FIG. 51

OPERACIÓN

CARGA DE LAS BATERÍAS

Para prolongar la vida útil de la batería, recargue las baterías SÓLO cuando la carga de la misma sea inferior al 15% de su capacidad. Cuando la carga sea igual o superior al 15%, continúe utilizando la máquina antes de recargarla. Ejemplo de tiempo de autonomía: nivel de descarga del 15% x 2.5 horas de tiempo total estimado de autonomía = 22 minutos

Las siguientes instrucciones de la operación de carga se refieren a los cargadores suministrados con la máquina. Utilice únicamente cargadores de baterías de las siguientes características para evitar el deterioro de la batería.

CARACTERÍSTICAS DEL CARGADOR DE LA BATERÍA:

- VOLTAJE DE SALIDA – 24 VOLTIOS
- CORRIENTE DE SALIDA – 20 AMP
- CIRCUITO DE CIERRE AUTOMÁTICO
- PARA CARGAR BATERÍAS DE CICLO PROFUNDO

NOTA: Para que el funcionamiento de la máquina sea óptimo, mantenga las baterías siempre cargadas. No deje nunca las batería descargadas durante periodos largos.

⚠ ADVERTENCIA: Mantenga alejadas las chispas y las llamas expuestas. Al cargar mantenga abierta la cubierta de la batería.

PARA SU SEGURIDAD: Al revisar la máquina, Al manejar las baterías o los cables de batería use guantes protectores y anteojos de seguridad. Evite el contacto con el ácido de la batería.

1. Dirija la máquina a una zona bien ventilada para la operación de carga.
2. Estacione la máquina en una superficie plana, apague la máquina y ponga el freno de estacionamiento, si existe.

PARA SU SEGURIDAD: Antes de abandonar o revisar la máquina, deténgase en una superficie plana, apague la máquina y ponga el freno de estacionamiento, si existe.

3. Gire el depósito de recuperación para acceder al compartimento de la batería.

NOTA: Vacíe el depósito de recuperación antes de acceder a las baterías.

4. Compruebe el nivel de fluido (A) en cada elemento de la batería antes de cargarla. Si las placas de la batería (B) están expuestas, añada sólo el agua destilada suficiente para cubrir las placas unos 3 mm (0,13 pulg.) NO LA LLENE EN EXCESO. Las baterías demasiado llenas pueden desbordarse durante la operación de carga debido a la expansión del líquido. Instale de nuevo las tapas de los elementos antes de la operación de carga (Figura 52).

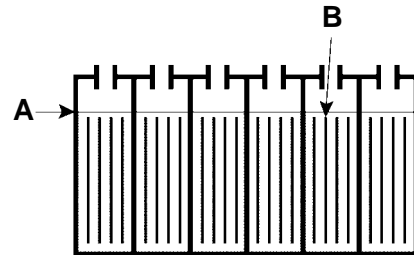


FIG. 52

5. Conecte el cargador de la batería, estando éste desenchufado, al receptáculo de carga de la máquina como muestra la figura. Coloque la barra de apoyo del capó y coloque el capó sobre dicho apoyo (Figura 53).



FIG. 53

6. Enchufe el cable del cargador en un enchufe de la pared con toma de tierra (Figura 54).

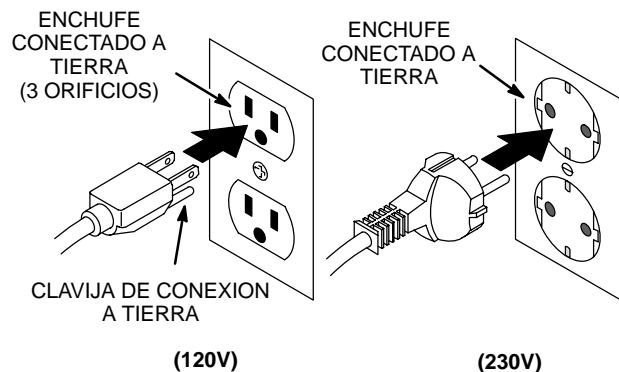


FIG. 54

⚠ ADVERTENCIA: Mantenga alejadas las chispas y las llamas expuestas. Al cargar mantenga abierta la cubierta de la batería.

NOTA: En el momento en que se conecte el cargador, la máquina dejará de funcionar.

7. El cargador comenzará a cargar el cargador y se apagará cuando esté totalmente cargado.
8. Al desconectar el cargador, empiece siempre desconectando el cargador de la pared.
9. Después de cargar las baterías, controle el nivel de electrolito (A) de cada elemento de la batería. Añada el agua suficiente para que el nivel de electrolito (A) se encuentre a 1 cm (0,38 pulg.) de la parte inferior de los anillos de llenado (B). NO LLENE EN EXCESO (Figura 55).

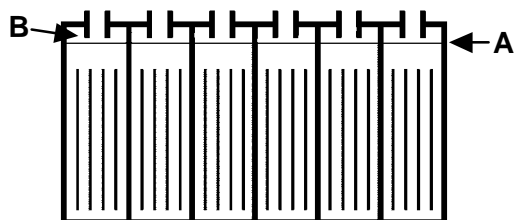


FIG. 55

MANTENIMIENTO DE LA MÁQUINA

Para mantener la máquina en buenas condiciones, bastará realizar diaria, semanal y mensualmente las operaciones de mantenimiento.

PARA SU SEGURIDAD: Antes de abandonar o revisar la máquina, deténgase en una superficie plana, apague la máquina y ponga el freno de estacionamiento, si existe.

⚠ ADVERTENCIA: Antes de prestar servicio a la máquina desconecte los cables de la batería.

ATENCIÓN: Póngase en contacto con el Centro de servicio autorizado para reparación de máquinas. Las reparaciones de máquinas realizadas por personas no autorizadas invalidarán la garantía.

MANTENIMIENTO DIARIO (Cada 4 horas de utilización)

1. Vacíe y aclare con agua limpia los depósitos (Figura 56).



FIG. 56

2. Retire el tapón del depósito de recuperación y aclare con agua el orificio de entrada (Figura 57).



FIG. 57

3. Sólo Modelo FaST™: Asegúrese de que la manguera de alimentación esté conectada al orificio de almacenamiento de la manguera cuando el envase de FaST™ PAK no esté instalado en la máquina. Esto evitará que el sistema de disolución FaST™ se reseque y se bloquee la manguera de alimentación (Figura 58). Si observa producto resaca en el conector del FaST™ PAK o en el conector de la manguera de alimentación, sumérjalo en agua caliente para eliminarlo.

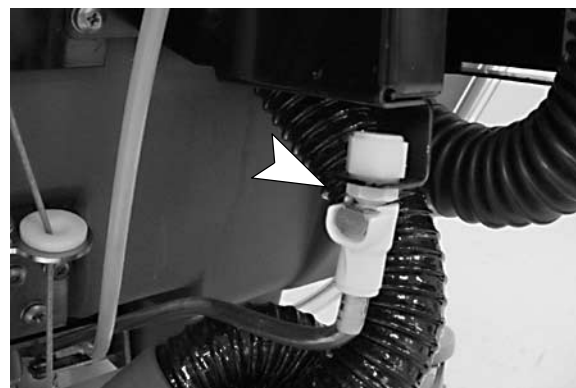


FIG. 58

OPERACIÓN

4. Extraiga y aclare el filtro del flotador cierre situado en el depósito de recuperación (Figura 59).

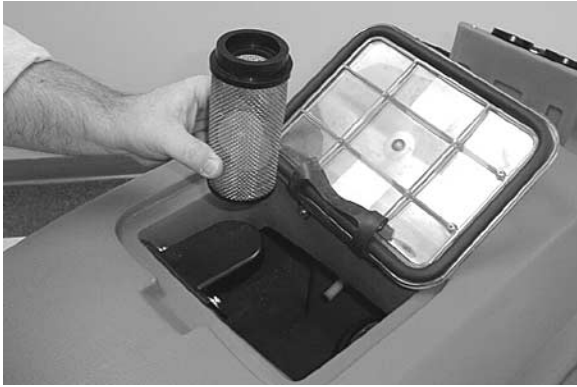


FIG. 59

5. Cabezal de fregado con cepillo cilíndrico: Vacíe y aclare el depósito de residuos (Figura 60).



FIG. 60

6. Compruebe si hay residuos enredados en los cepillos.
7. Cambie las almohadillas o cepillos si están gastados o deteriorados.
8. Compruebe el desgaste y ajuste de aletas del cabezal de fregado.
9. Si la máquina tiene un equipo ES™ opcional, retire el filtro ES™ y límpielo, el filtro se encuentra en el interior del depósito de recuperación (Figura 61).



FIG. 61

10. Eleve la escobilla de goma y límpiela con un trapo viejo. Guarde la escobilla en la posición elevada para evitar que se deteriore.
11. Limpie el bastidor de la máquina con un limpiador general y un paño húmedo.

ATENCIÓN: No moje la máquina rociándola o con la manguera. La garantía no cubre las averías de los componentes eléctricos debidos a la introducción de agua.

12. Recargue las baterías

NOTA: Recargue las baterías SÓLO después de utilizarlas un mínimo de 30 minutos. Esto prolongará la vida de la batería.

MANTENIMIENTO SEMANAL (Cada 20 horas de utilización)

1. Extraiga la taza del filtro de debajo de la máquina y limpie dicho filtro. Asegúrese de que el depósito de la disolución está vacío antes de extraer el filtro (Figura 62)

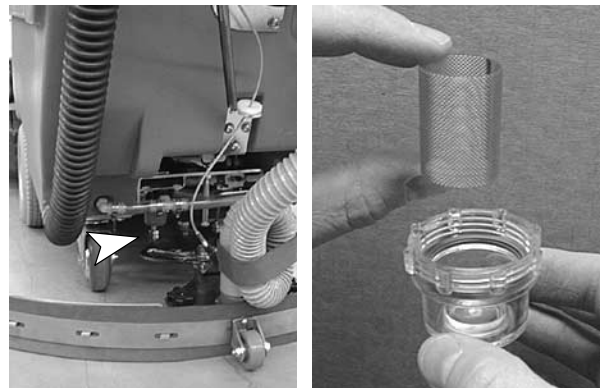
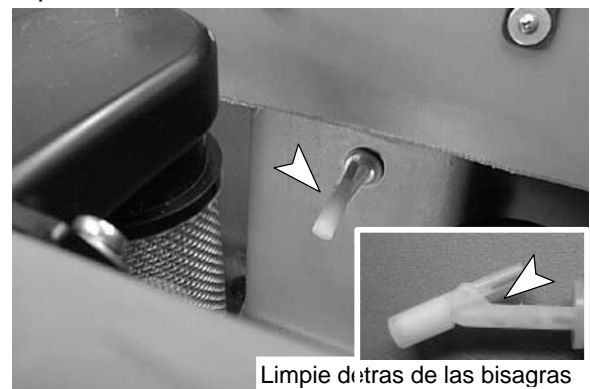


FIG. 62

2. Si la máquina está equipada con el sistema ES™ opcional, limpie el interruptor del flotador ES™ situado en el interior del depósito de recuperación (Figura 63).

NOTA: Si friega un área donde haya virutas metálicas, se recomienda limpiar el interruptor del filtro del sistema ES™ más frecuentemente. El interruptor del flotador del sistema ES™ incluye un imán que atraerá las virutas metálicas.



Limpie detrás de las bisagras

FIG. 63

3. Controle el nivel del líquido en los elementos de la batería (Consulte el apartado MANTENIMIENTO DE LA BATERÍA).
4. Limpie la parte superior de la batería para evitar la corrosión (Consulte el apartado MANTENIMIENTO DE LA BATERÍA).
5. Controle si existen cables de la batería oxidados o sueltos.
6. Controle la presión de aire de los neumáticos. La presión de aire correcta para las llantas neumáticas estándar es de 315 a 345 kPa (45 a 50 psi).

MANTENIMIENTO MENSUAL (Cada 80 horas de utilización)

1. Aclare el sistema de la disolución. Vierta 11,3 litros (3 galones) de agua caliente en el depósito de la disolución. Añada un detergente alcalino de acuerdo con las instrucciones de mezcla. Haga funcionar brevemente la máquina, el sistema ES™ y el tubo opcionales durante 30 segundos cada uno sobre un desagüe del suelo. Apague la máquina y deje actuar la mezcla durante la noche. Al día siguiente, vacíe el resto de detergente alcalino y aclare el sistema de la disolución.
2. Compruebe que el ajuste del cepillo es el correcto. (Consulte el apartado AJUSTE DEL CABEZAL DE FREGADO).
3. Lubrique los puntos de lubricación de la ruedecilla con grasa impermeable.
4. Lubrique todos los puntos pivotantes y rodillos con spray de silicona y a continuación cúbralos con grasa impermeable para que funcionen suavemente.
5. Cabezal de fregado con cepillo cilíndrico: Controle la tensión de la correa del cepillo. La desviación correcta de la correa en el punto medio es de 3 mm (0,1") al aplicar una fuerza de 1,13–1,22 kg (2,5–2,7 lbs)(Figura 64).

PARA SU SEGURIDAD: Al revisar la máquina, desconecte las conexiones de la batería antes de trabajar en la máquina.

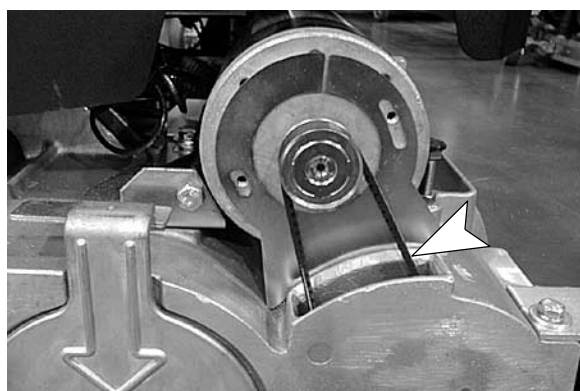


FIG. 64

ATENCIÓN: Póngase en contacto con un Centro de Servicio autorizado para reparación de máquinas.

6. Controle si la máquina presenta fugas de agua y si existen tuercas y tornillos flojos.

MANTENIMIENTO TRIMESTRAL (Cada 250 horas de utilización)

1. Controle el desgaste del cepillo de carbono del eje de transmisión, de los motores de aspiración y del cepillo, sustituya los cepillos cuando la longitud de sus cerdas sea igual o inferior a 10 mm (0,38 pulg.).

Póngase en contacto con el Centro de servicio autorizado para el mantenimiento de los motores.

2. El filtro de aire del sistema FaST™ está sujeto a la bomba de aire. Extraiga y limpie el filtro de aire con aire comprimido cada 250 horas de utilización de la máquina (Figura 65).



FIG. 65

HOJAS DE LA RASQUETA

La rasqueta lleva dos hojas. La hoja delantera tiene dos bordes limpiadores. Para usar ambos bordes, hacer rotar la hoja en sentido horizontal, cambiando sus extremos de posición.

La hoja trasera tiene cuatro bordes limpiadores. Para usarlos todos, empezar con un borde. Tras gastarlo, hacer rotar la hoja en sentido horizontal, cambiando los extremos de posición. Para usar el próximo borde, hacer rotar la hoja en sentido vertical. Para usar el último borde, hacer rotar la hoja en sentido horizontal.

Las hojas gastadas o dañadas deben ser recambiadas.

COMO RECAMBIAR O HACER ROTAR LA HOJA DE RASQUETA DELANTERA

1. Apagar la máquina y apretar el freno de estacionamiento, en caso de que la máquina lleve esta opción.

OPERACIÓN

PARA SU SEGURIDAD: Antes de abandonar o revisar la máquina, deténgase en una superficie plana, ponga el freno de estacionamiento, apague la máquina y retire la llave del contacto.

2. Cerciorarse de que la rasqueta esté levantada del suelo (Figura 66).
3. Quitar los seis tornillos de orejas que fijan el sujetador y la hoja en el bastidor de la rasqueta (Figura 66).

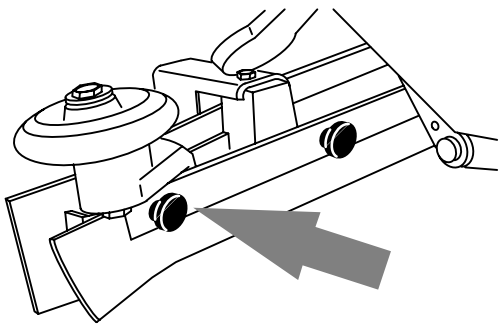


FIG. 66

4. Quitar la hoja del bastidor.
5. Hacer rotar la hoja en sentido horizontal para que un borde limpiador nuevo quede en la parte delantera.
6. Alinear la hoja y el sujetador con el bastidor.
7. Fijar la hoja y el sujetador en el bastidor con los seis tornillos de orejas.

COMO RECAMBIAR O HACER ROTAR LA HOJA DE RASQUETA TRASERA

1. Apagar la máquina y apretar el freno de estacionamiento, en caso de que la máquina lleve esta opción.

PARA SU SEGURIDAD: Antes de abandonar o revisar la máquina, deténgase en una superficie plana, apague la máquina y ponga el freno de estacionamiento, si existe.

2. Cerciorarse de que la rasqueta esté levantada del suelo.
3. Soltar la grapa y quitar el sujetador del bastidor de la rasqueta (Figura 67).

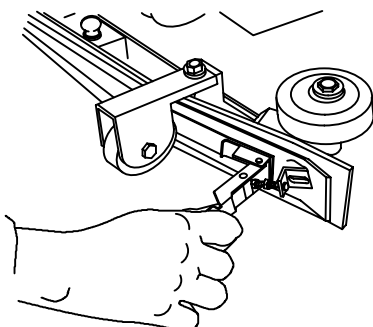


FIG. 67

4. Retire la lámina de la escobilla de goma y la banda de protección del soporte de la escobilla de goma.
5. Recambiar o, para usar un borde nuevo, hacer rotar la hoja.
6. Colocar la hoja y la placa de retenida en el bastidor.
7. Fijar la hoja de la rasqueta y la placa de retenida con el sujetador. Apretar la grapa.

MANTENIMIENTO DE LA BATERÍA

⚠ ADVERTENCIA: Las baterías emiten hidrógeno gaseoso. Existe peligro de incendio o explosión. Mantenga chispas y llamas alejadas de la máquina. Mantenga las tapas abiertas durante la operación de carga.

PARA SU SEGURIDAD: Al revisar la máquina, protéjase las manos con guantes al manejar las baterías y sus cables. Evite el contacto con el ácido de la batería.

1. Siga siempre las instrucciones de la operación de carga (Consulte el apartado OPERACIÓN DE CARGA DE LAS BATERÍAS).
2. Compruebe el nivel de líquido (A) después de cargar la batería. El nivel de líquido debe encontrarse a 3 mm (0,13 pulg.) del indicador de lleno. Añada agua destilada en caso necesario. NO LA LLENE EN EXCESO. Las baterías demasiado llenas pueden desbordarse durante la operación de carga debido a la expansión del líquido (Figura 68).

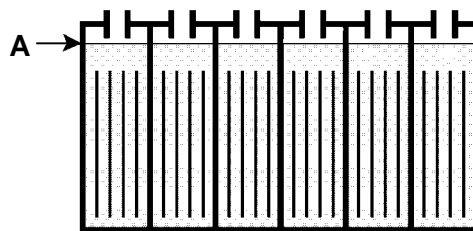


FIG. 68

3. Medir la densidad con un hidrómetro es una forma de comprobar el nivel de carga y la condición de las baterías. Si una o más de las pilas de una batería dan un resultado inferior a las demás (una diferencia de 0.050 o más), significa que la pila está dañada, en cortocircuito o a punto de fallar (Figura 69).

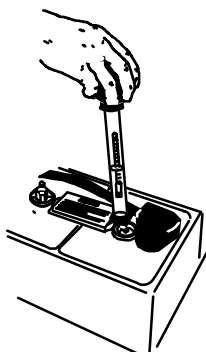


FIG. 69

NOTA: No tome las lecturas del hidrómetro inmediatamente después de añadir agua destilada. Si el agua y el ácido no están completamente mezclados, es posible que las lecturas no sean exactas. Compare las lecturas con el esquema que aparece a continuación para determinar el nivel de carga:

DENSIDAD a 27° C	CARGA DE LA BATERÍA
1.265	100% Cargada
1.223	75% Cargada
1.185	50% Cargada
1.148	25% Cargada
1.110	Descargada

NOTA: Si se mide la densidad cuando el electrolito de la batería está a una temperatura que no sea 27° C, se debe corregir las lecturas. A la lectura de la densidad se debe sumar o restar 0,004, 4 puntos, por cada 6° C por encima o por debajo de 27° C.

- Mantenga la parte superior y los terminales de la batería limpios y secos.

Limpieza de las baterías:

- Haga una solución concentrada de bicarbonato y agua (Figura 70).



FIG. 70

- Rocíe ligeramente la parte superior de la batería, bornes y conectores del cable con la disolución.

NOTA: No permita que la solución de bicarbonato se introduzca en los elementos de la batería.

- Utilice un cepillo de alambre para limpiar los terminales y las conexiones del cable.
 - Después de la limpieza, aplique una capa de protector transparente de bornes de baterías a los terminales y conexiones del cable.
- Controle si existen cables gastados o sueltos. Sustitúyalos si están gastados.

ELEVACIÓN DE LA MÁQUINA

Para levantar la máquina con un gato, utilice los lugares indicados debajo del depósito de la disolución. Utilice una pieza de madera para distribuir el peso de la máquina (Figura 71).

Detenga siempre la máquina en una superficie plana y calce las llantas antes de elevar la máquina con el gato.



FIG. 71

PARA SU SEGURIDAD: Al revisar la máquina, calce las ruedas de la máquina antes de elevarla con el gato.

PARA SU SEGURIDAD: Al revisar la máquina, levante la máquina sólo por los lugares destinados a este fin. Sujete la máquina con los soportes del gato.

TRANSPORTE DE LA MÁQUINA

Al transportar la máquina en un remolque o camión, asegúrese de seguir las instrucciones indicadas a continuación:

PARA SU SEGURIDAD: Conduzca despacio cuando utilice la máquina en pendientes o superficies resbaladizas.

OPERACIÓN

1. Eleve la escobilla de goma y el cabezal de fregado.
2. Cargue la máquina utilizando la rampa de carga recomendada.
3. Coloque la parte delantera de la máquina contra la parte delantera del remolque o camión. Una vez colocada la máquina en la posición correcta, baje el cabezal de fregado y la escobilla de goma.
4. Ponga el freno de estacionamiento, si existe, y calce las ruedas impulsoras para evitar que la máquina ruede.
5. Asegure la máquina con las abrazaderas de fijación situadas en la parte trasera del chasis de la máquina, si existen. Es posible que sea necesario instalar puntos de anclaje en el suelo del remolque o camión.
6. Pase las cintas de anclaje por la parte superior de la máquina para evitar que ésta vuelque

NOTA: No utilice los puños de control para fijar la máquina para el transporte.

ALMACENAMIENTO DE LA MÁQUINA

1. Cargue las baterías antes de guardar la máquina. No guarde nunca máquina con las baterías descargadas.
2. Vacíe y aclare bien los depósitos.
3. Guarde la máquina en lugar fresco y seco, con la escobilla de goma y el cabezal de fregado en la posición elevada.
4. Retire la tapa del depósito de recuperación para facilitar la circulación de aire.

ATENCIÓN: Si guarda la máquina a temperaturas inferiores a 0°C, asegúrese de vaciar todo el agua de la máquina. La garantía no cubre averías debidas a heladas.

ATENCIÓN: No permita que la lluvia moje la máquina, guárdela en recintos cerrados.

PROTECCIÓN CONTRA HELADAS

1. Asegúrese de que el depósito de la disolución esté vacío.
2. Vierta 3,8 l de disolución limpiadora para parabrisas previamente mezclada tipo automóvil en el depósito de la disolución.
3. Ponga la máquina en marcha.
4. Inicio del flujo de disolución.
5. No es necesario vaciar la disolución limpiadora del depósito de la disolución.

PROTECCIÓN CONTRA HELADAS DEL SISTEMA FaST™

Necesitará el Juego de Invierno FaST™ #613898.

1. Desconecte el FaST™ PAK del sistema y conecte el conector de desconexión rápida del juego en la tubería de entrada de la bomba de concentrado.
2. Utilice una taza pequeña, elimine todo el concentrado FaST™ posible de las tuberías de entrada. Si el concentrado no fluye por la tubería, apriete y suelte la manguera de entrada varias veces (Figura 72).

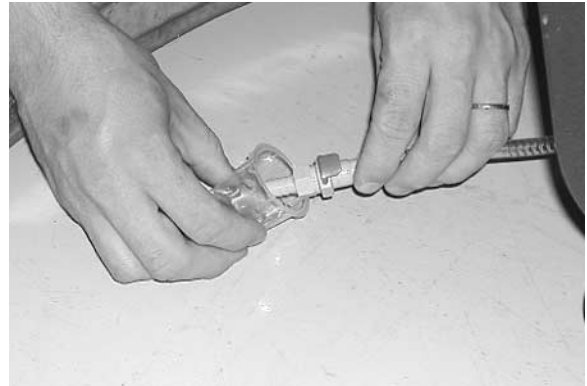


FIG. 72

3. Instale la manguera (incluida en el juego de invierno) en el conector. Utilice una taza pequeña y vierta el anticongelante RV en dicha manguera hasta que la tubería de entrada y la manguera estén llenas. Si el anticongelante no fluye por el conector, apriete y suelte la manguera de entrada varias veces (Figura 73).



FIG. 73

- Incline la manguera de entrada hacia el lado del soporte del FaST™ PAK para mantener la manguera vertical. Haga funcionar la máquina en el modo FaST™ hasta que no salga más espuma. Esto indica que el anticongelante RV ha aclarado la bomba de concentrado. Este paso puede durar de 5 a 10 minutos dependiendo de la cantidad de concentrado FaST™ presente en la tubería de entrada después de la operación de vaciado (Figura 74).



FIG. 74

- Vacíe el depósito de disolución y retire la copa del filtro situada debajo de la máquina. Retire la copa y el filtro de la máquina y haga funcionar la máquina en el modo FaST™ durante 1–2 minutos. Limpie el filtro en caso necesario y vuelva a instalar dicho filtro y la copa en la máquina (Figura 75).



FIG. 75

- Retire el conector de desconexión rápida y la manguera de la tubería de entrada de la bomba de concentrado. Conecte la tubería de entrada al orificio de almacenaje del soporte del FaST™ PAK. Esto evitará la introducción de contaminantes en el sistema de concentrado (Figura 76).



FIG. 76

VACIADO DEL ANTICONGELANTE DESPUÉS DEL ALMACENAMIENTO

- Retire la tubería de concentrado del orificio de almacenamiento e instale el conector de desconexión rápida que incluye el juego de invierno en la tubería de entrada de la bomba del concentrado.
- Vacíe todo el exceso de anticongelante RV que sea posible. Si el concentrado no fluye por la tubería, apriete y suelte la manguera de entrada varias veces.
- Instale el FaST™ PAK en su soporte. Retire el conector del juego de invierno de la tubería de concentrado y conecte esta tubería al FaST™ PAK. Si el concentrado no fluye por la tubería, apriete y suelte la manguera de entrada varias veces.
- Haga funcionar la máquina en el modo FaST™ durante 5 minutos antes de añadir agua al depósito de disolución. Añada agua al depósito de disolución y la máquina volverá a estar lista para ser utilizada. Es posible que el sistema FaST™ necesite varios minutos para alcanzar un funcionamiento óptimo.

RECOMENDACIONES PARA EL ALMACENAMIENTO

Consulte la sección de Lista de Repuestos para ver que productos son los recomendados. Los elementos de almacén están claramente identificados con una marca colocada delante de la descripción de la pieza. Consulte el siguiente ejemplo:

Ref.	Part No.	Description	Qty.
1	701103	ASM., STANDPIPE	1
2	180618	●FLOAT, SHUTOFF	1
3	230187	NIPPLE	1
4	101714	●GASKET	1
5	210240	NUT, FLANGED	1

OPERACIÓN

LOCALIZACIÓN DE AVERÍAS

PROBLEMA	CAUSA	SOLUCIÓN
La máquina no se enciende	Interruptor de la llave de contacto defectuoso.	Póngase en contacto con el Centro de Servicio
	Necesita cargar las baterías	Consulte la sección OPERACIÓN DE CARGA DE LAS BATERÍAS
	Batería(s) averiada(s)	Sustituya la(s) batería(s).
	Cable de la batería flojo.	Fije el cable suelto.
	Cortacircuitos PRINCIPAL activado	Determine la causa y reajuste el cortacircuitos.
	Botón de parada activado	Gire el botón en el sentido de las agujas del reloj para reajustarlo
Los motores del cepillo no se encienden	Interruptor del cepillo defectuoso	Póngase en contacto con el Centro de Servicio
	Los mandos de control no giran	Gire los mandos
	Cortacircuitos del cepillo activado	Sustituya la almohadilla o ajuste la presión de la misma y vuelva a reajustar el circuito del cepillo.
	Motor del cepillo o cableado defectuoso	Póngase en contacto con el Centro de Servicio
	Cepillos de carbono gastados	Póngase en contacto con el Centro de Servicio
	Solenoide del cepillo defectuoso	Póngase en contacto con el Centro de Servicio
El motor de aspiración no se enciende	Interruptor de aspiración defectuoso	Baje la escobilla de goma.
	Escobilla de goma está elevada.	Retire la obstrucción y reajuste el botón de cortacircuitos.
	Cortacircuitos principal activado	Determine la causa y reajuste el botón cortacircuitos.
	Cortacircuitos del motor de aspiración activado	Póngase en contacto con el Centro de Servicio
	Motor de aspiración o cableado defectuoso	Póngase en contacto con el Centro de Servicio
	Cepillos de carbono gastados	Póngase en contacto con el Centro de Servicio
Flujo de disolución escaso o nulo	El interruptor de la disolución no está activado	Gire el interruptor de la disolución
	Tubería de la disolución o filtro del depósito de la disolución atascados	Retire la manguera e introduzca aire comprimido en dicha manguera. Aclare el depósito de la disolución después de cada uso
	Válvula o solenoide de la disolución atascados	Retire la válvula o solenoide y límpielos. No raye el interior de la válvula
	Solenoide o interruptor de la disolución defectuosos	Póngase en contacto con el Centro de Servicio
	Mando del flujo de la disolución sin activar	Gire el mando del flujo de la disolución
	Afloje el tornillo de fijación del mando de la disolución	Calibre el mando y vuelva a apretar tornillos.

LOCALIZACIÓN DE AVERÍAS – Continuación

PROBLEMA	CAUSA	SOLUCIÓN
Operación de fregado no satisfactoria	Cepillos/almohadillas mal ajustados.	Consulte la sección AJUSTE DEL CA- BEZAL DE FREGADO
	Cepillos/almohadillas gastadas	Sustitución de cepillos/almohadillas
	Residuos bloqueando cepillos y almo- hadillas.	Retire los residuos
	Presión de las llantas baja	Aumente la presión de las llantas
	Nivel de carga de la batería bajo	Cargue las baterías
	Presión del cepillo/almohadilla incorrecta	Reajuste la presión del cepillo/ almohadilla.
	Correa del cepillo rota (cepillo cilíndrico)	Sustituya las correas
Tracción insuficiente	Excesiva presión de la almohadilla	Reduzca la presión del cepillo
	Deslizamiento de las llantas	Consulte al distribuidor
	Presión del cepillo irregular	Nivele el cabezal de fregado
	Correa del cepillo rota (cepillo cilíndrico)	Sustituya la correa
Recogida de agua insuficiente	El depósito de recuperación está lleno y flotador se activa	Vacíe el depósito de recuperación
	Filtro del flotador del interior del depósito de recuperación atascado	Extraiga el filtro y límpielo
	Escobilla de goma atascada	Limpie la escobilla de goma
	Láminas de la escobilla de goma gas- tadas	Sustituya las láminas de la escobilla de goma
	Afloje las palometas de la escobilla de goma	Apriete las palometas
	Las conexiones de la manguera de aspiración están flojas o la manguera está perforada	Introduzca bien los manguitos de la manguera sobre las conexiones. Sus- tituya la manguera si está deteriorada
	Manguera de aspiración bloqueada	Retire los residuos atascados
	Orificio de entrada del depósito de re- cuperación bloqueado	Vacíe el depósito de recuperación e incline el depósito lateralmente para acceder al orificio de entrada, extraiga la obstrucción
	Junta de la tapa del depósito gastada	Sustituya la junta
	Tapón de la manguera de vaciado mal cerrado	Cierre bien el tapón
	Tapa del depósito de recuperación mal instalada	Coloque correctamente la tapa
	Motor de aspiración suelto	Póngase en contacto con el Centro de Servicio
	El nivel de carga de la batería es bajo	Cargue las baterías. No utilice la máquina cuando el indicador del nivel de carga de la batería se encuentre en la zona roja.

OPERACIÓN

LOCALIZACIÓN DE AVERÍAS – Continuación

PROBLEMA	CAUSA	SOLUCIÓN
El sistema ES™ opcional no funciona	El filtro del sistema ES™ está atascado.	Extraiga y limpie el filtro del sistema ES™
	Bomba ES™ averiada	Póngase en contacto con el Centro de Servicio
	Interruptor de ENCENDIDO/APAGADO del sistema ES™, averiado	Póngase en contacto con el Centro de Servicio
	Flotador del sistema ES™ sucio	Aclare el interruptor del flotador que se encuentra en el depósito de recuperación
	Interruptor del flotador del sistema ES™, averiado	Póngase en contacto con el Centro de Servicio
Escasa autonomía	Las baterías no están totalmente cargadas	Cargue las baterías
	Baterías defectuosas	Sustituya la batería
	Las baterías necesitan ser revisadas	Consulte la sección MANTENIMIENTO DE BATERÍAS
	Cargador defectuoso	Repare o sustituya el cargador de la batería
El Sistema FaST™ no funciona.	Interruptor de la disolución apagado.	Encender el interruptor de la disolución.
	El interruptor del sistema FaST™ no está encendido.	Encender el interruptor del sistema FaST™.
	Cortacircuitos de sistema FaST™ activado.	Determinar la causa y reajustar el botón del cortacircuitos de 10 A
	Manguera de alimentación y/o conectores del sistema FaST™ PAK bloqueados.	Sumergir el conector y la manguera en agua caliente y limpiar.
	Envase de FaST™ PAK vacío o sin conectar.	Sustituir el envase de FaST™ PAK y/o conectar la manguera de alimentación.
	Dosificador de control del flujo bloqueado.	Retirar el dosificador, limpiar y volver a instalar (consultar el esquema de la lista de piezas)
	Interruptor del modo de fregado defectuoso.	Contactar con el Servicio Técnico
	Bomba o compresor de aire defectuosos	Contactar con el Servicio Técnico
	Filtro del depósito de disolución bloqueado.	Vaciar el depósito de disolución, extraer el filtro del depósito de disolución, limpiar y reinstalar.

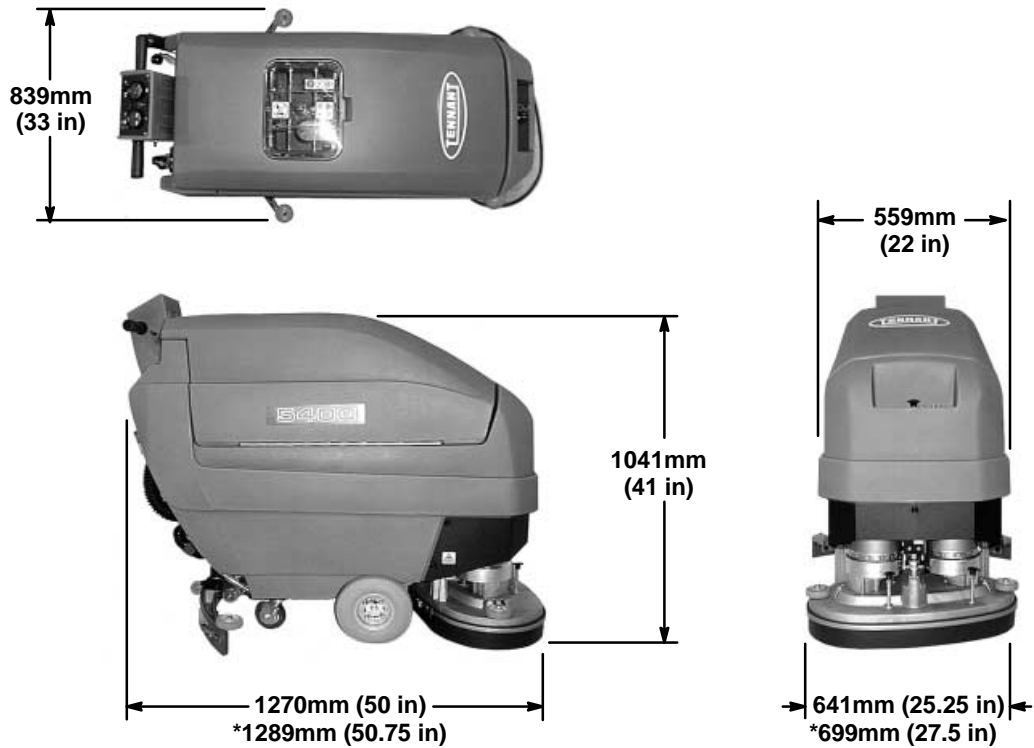
ESPECIFICACIONES

MODELO	Cabezal de Fregado de Disco de 610mm (24 in)	Cabezal de Fregado de Disco de 660mm (26 in)	Cabezal de Fregado Cilíndrico de 610mm (24 in)
LONGITUD	1270mm (50 in)	1289mm (50.75 in)	1359mm (53.50 in)
ANCHURA / ANCHURA CON CABEZAL DE FREGADO	559mm (22 in) / 641mm (25.25 in)	559mm (22 in) / 699mm (27.5 in)	559mm (22 in) / 667mm (26.25 in)
ALTURA	1041mm (41 in)	1041mm (41 in)	1041mm (41 in)
PESO	142 kg (314 lb) / 260 Kg (570 lb) con baterías	142 kg (314 lb) / 260 Kg (570 lb) con baterías	142 kg (314 lb) / 260 Kg (570 lb) con baterías
CAPACIDAD DEL DEPÓSITO DE RECUPERACIÓN	80 L (21 Gal)	80 L (21 Gal)	80 L (21 Gal)
CAPACIDAD DEL DEPÓSITO DE LA DISOLUCIÓN SOLUTION TANK CAPACITY	80 L (21 Gal)	80 L (21 Gal)	80 L (21 Gal)
CAPACIDAD DE DISOLUCIÓN DEL SISTEMA ES™ OPCIONAL	117 L (31 Gal)	117 L (31 Gal)	117 L (31 Gal)
SISTMA IMPULSOR	Eje de transmisión, 24 V, .15 kw (.2 hp)	Eje de transmisión, 24 V, .15 kw (.2 hp)	Eje de transmisión, 24 V, .15 kw (.2 hp)
VELOCIDAD DE LIMPIEZA	2415 m ² por hora (26,000 sq ft)	2601 m ² por hora (28,000 sq ft)	2415 m ² por hora (26,000 sq ft)
ANCHURA DE LA PISTA DE LIMPIEZA	610mm (24 in)	660mm (26 in)	610mm (24 in)
PRESIÓN DE LA ALMOHADILLA	Variable 0–54 kg (0–120 lb)	Variable 0–54 kg (0–120 lb)	Variable 0–41 kg (0–90 lb)
ANCHURA DE LA ESCOBILLA DE GOMA	839mm (33 in)	839mm (33 in)	839mm (33 in)
CONSUMO ENERGÉTICO TOTAL	60 Amp nominal	60 Amp nominal	60 Amp nominal
MOTOR DEL CEPILLO	Dos – .75 h.p., 270 rpm, 24 V, 33 A	Dos – .75 h.p., 270 rpm, 24 V, 33 A	Dos – .63 h.p., 1700 rpm, 670 brush rpm, 24 V, 23 A
MOTOR DE ASPIRACIÓN	.75 h.p., 3–fases 5.7 in, 24 V, 21 A	.75 h.p., 3–fases 5.7 in, 24 V, 21 A	.75 h.p., 3–fases 5.7 in, 24 V, 21 A
ELEVACIÓN DEL AGUA	1829mm (72 in)	1829mm (72 in)	1829mm (72 in)
BATERÍAS	Cuatro – 6 V, 235 AH	Cuatro – 6 V, 235 AH	Cuatro – 6 V, 235 AH
AUTONOMÍA POR CARGA	Hasta 2.5 horas	Hasta 2.5 horas	Hasta 2.5 horas
NIVEL DE RUIDOS, RECINTO INTERIOR CON SUELO DE BALDOSA	74 dB(A)	74 dB(A)	74 dB(A)

SISTEMA FaST™ (OPCIONAL)		
BOMBA DE DISOLUCIÓN	24 Volt DC, 3.5 A, 1.5 GPM flujo, 45 psi ajuste de derivación	N/A
FLUJO DE LA DISOLUCIÓN	0.57 LPM (0.15 GPM)	N/A
BOMBA DE DETERGENTE	24 Volt, 20 wat	N/A
FLUJO DE CONCENTRADO	0,0.55 cc/minuto (0.02 onzas/minuto)	N/A
RAZÓN DE DILUCIÓN CONCENTRADO:AGUA	1:1000	N/A
COMPRESOR DE AIRE	24 Volt DC, 0,6 amperaje máximo	N/A
FLUJO DEL COMPRESOR DE AIRE	8,7 LPM (0,3 CFM) flujo abierto	N/A

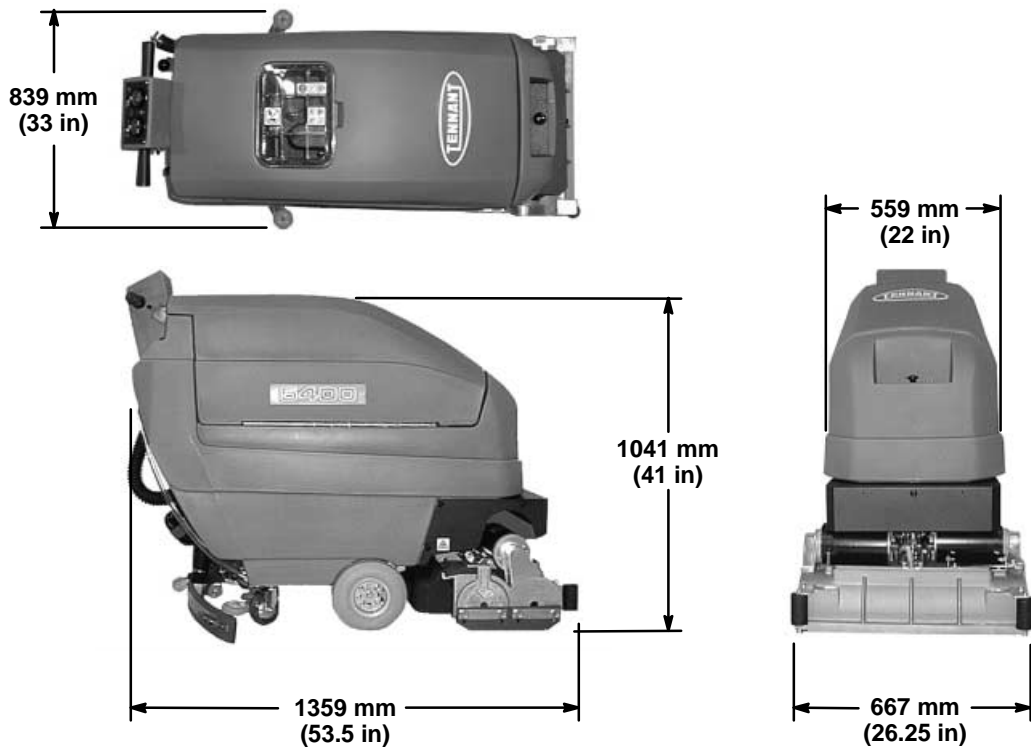
OPERACIÓN

DIMENSIONES DE LA MÁQUINA – MODELOS DE DISCO de 610mm (24 in) y 660mm (26 in)

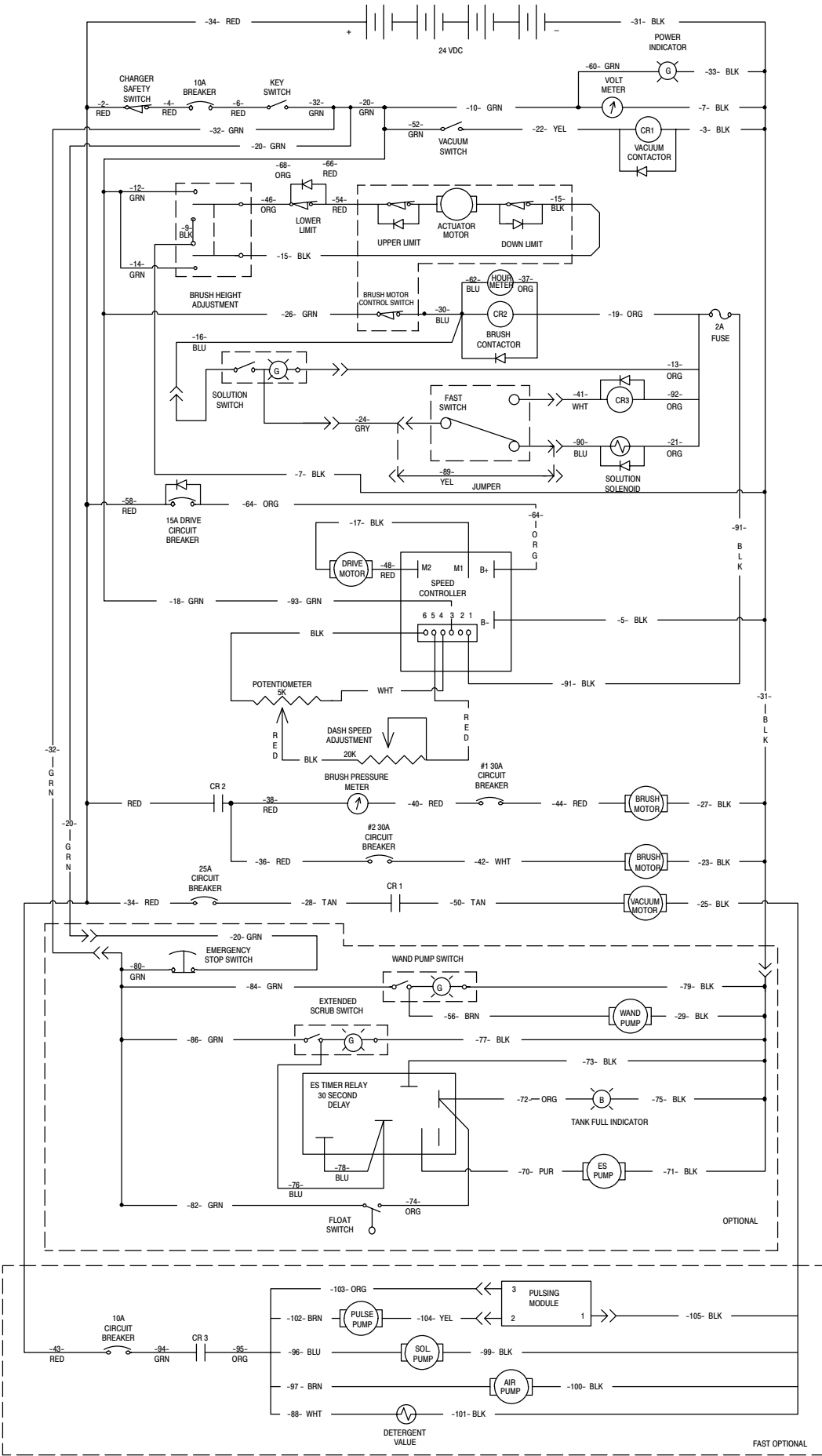


* Dimensiones válidas exclusivamente para modelos de disco de 660 mm (26 in)

DIMENSIONES DE LA MÁQUINA – MODELO DE CEPILLO CILÍNDRICO de 610mm (24 in)

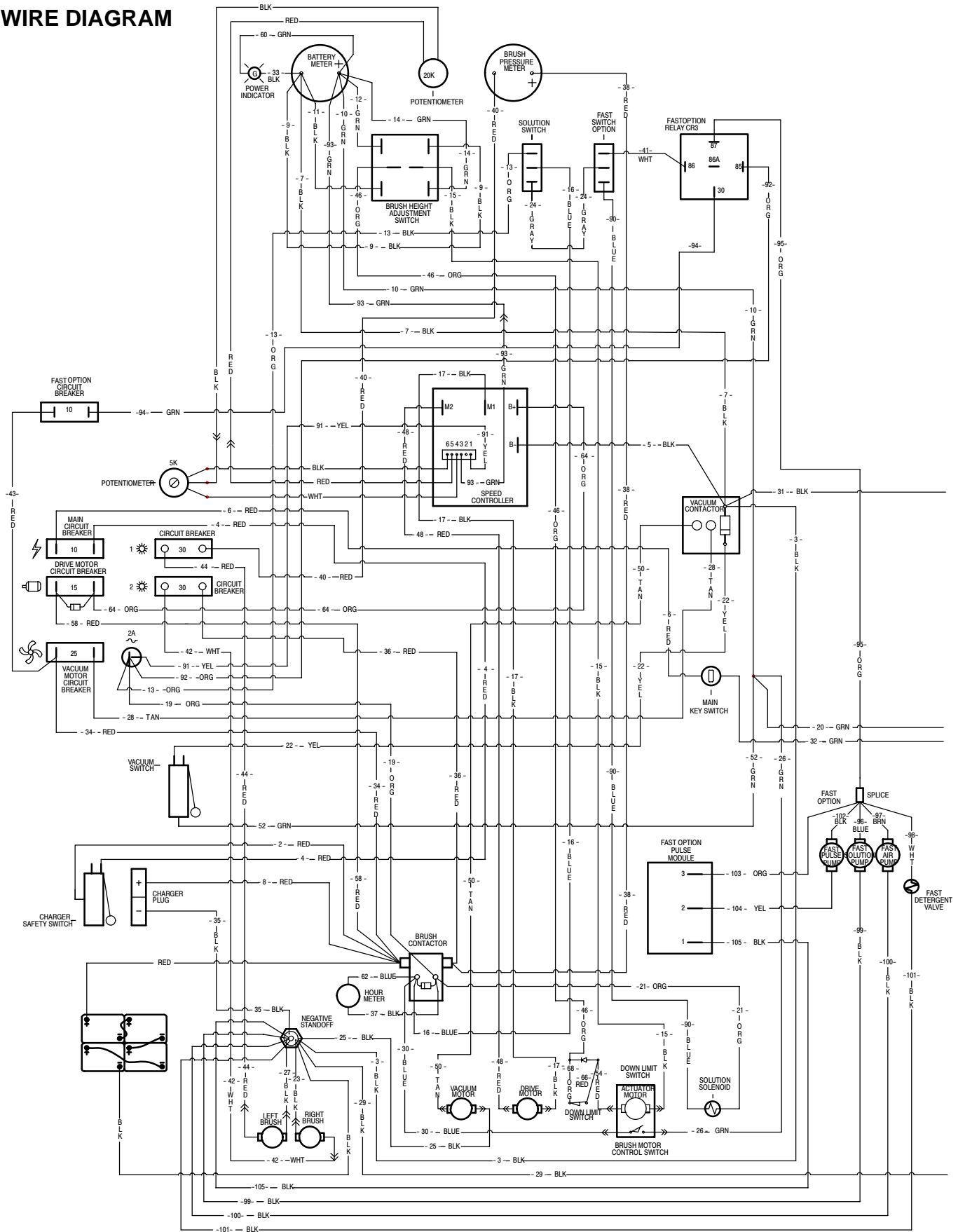


LADDER
DIAGRAM

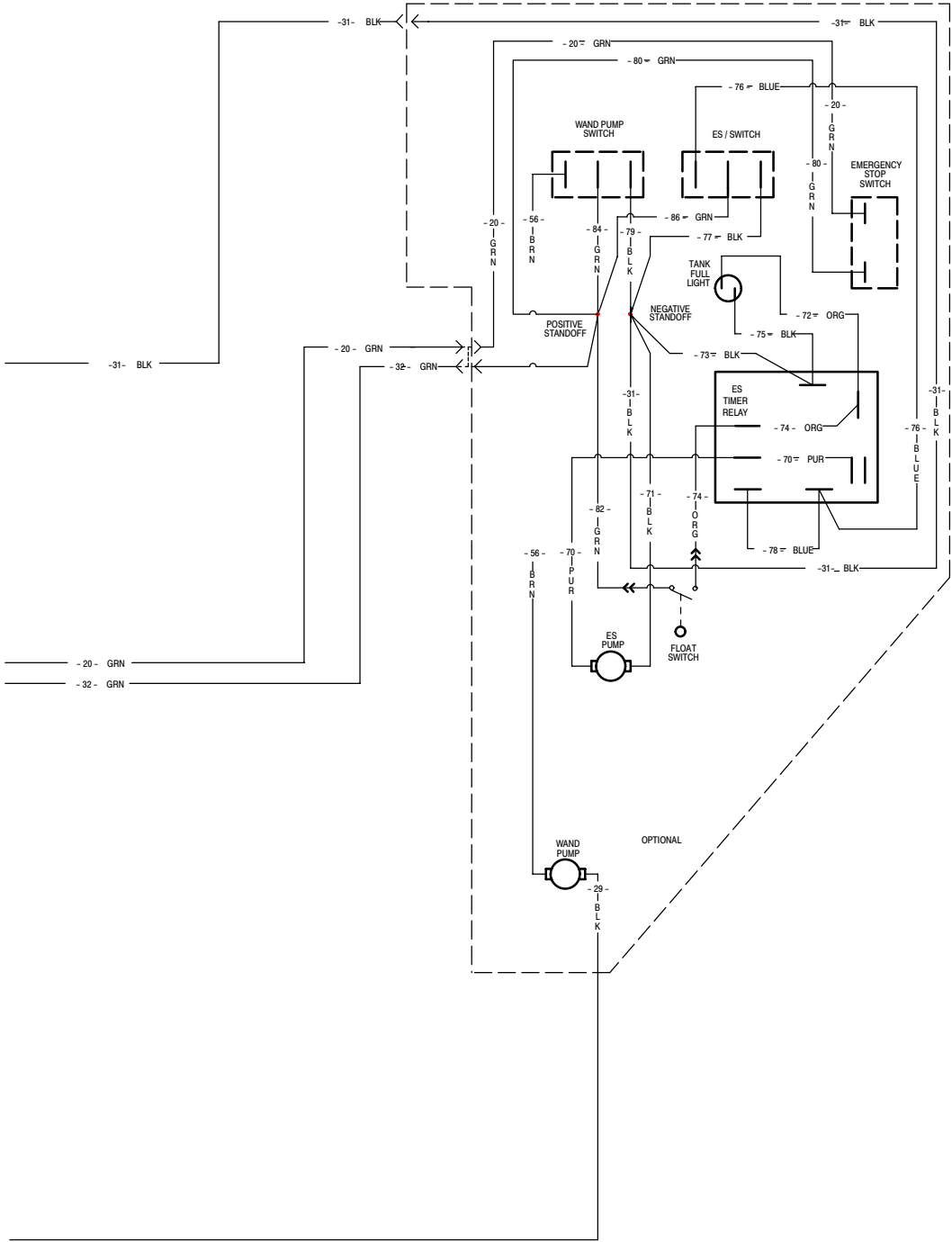


ELECTRICAL DIAGRAMS DIAGRAMAS ELECTRICAS

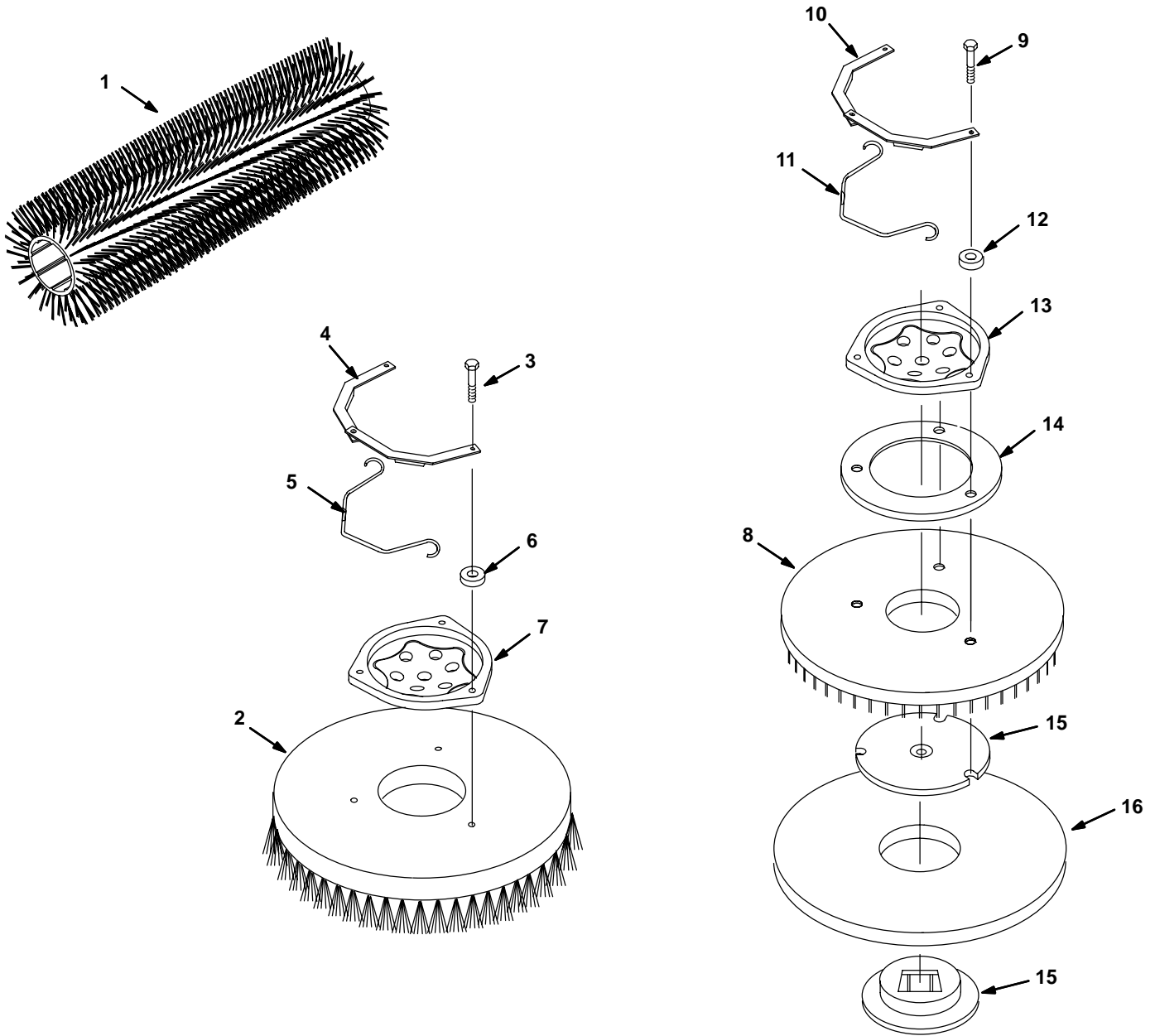
WIRE DIAGRAM



WIRE DIAGRAM
(OPTIONS)



REPLACEMENT BRUSH AND PAD DRIVER GROUP
SUSTITUCIÓN DEL CONJUNTO DE CEPILLOS E IMPULSOR DE LA ALMOHADILLA



REPLACEMENT BRUSH AND PAD DRIVER GROUP
SUSTITUCIÓN DEL CONJUNTO DE CEPILLOS E IMPULSOR DE LA ALMOHADILLA

REF	PART #	DESCRIPTION	QTY.
1	385910	●BRUSH, CYLINDRICAL, SOFT NYLON, 610MM (24 IN)	2
	385911	●BRUSH, CYLINDRICAL, POLY, 610MM (24 IN)	2
	385912	●BRUSH, CYLINDRICAL, HEAVY DUTY POLY, 610MM (24 IN)	2
	385913	●BRUSH, CYLINDRICAL, ABRASIVE GRIT, 610MM (24 IN)	2
▽ 2	385906	●BRUSH, DISK, POLY, 305MM (12 IN)	2
	385905	●BRUSH, DISK, SOFT NYLON, 305MM (12 IN)	2
	385907	●BRUSH, DISK, ABRASIVE GRIT, 305MM (12 IN)	2
	385923	●BRUSH, DISK, POLY, 330MM (13 IN)	2
	385925	●BRUSH, DISK, SOFT NYLON, 330MM (13 IN)	2
	385924	●BRUSH, DISK, ABRASIVE GRIT, 330MM (13 IN)	2
▲ 3		SCREW, M6X1.0X40 HXHDCP	3
▲ 4	626074	●CLIP, RETAINER, BRUSH HUB	2
▲ 5	626072	●SPRING, BRUSH HUB	1
▲ 6	626080	SPACER, 8.1X17.5X4.8	2
▲ 7	626133	●ADAPTER, BRUSH	1

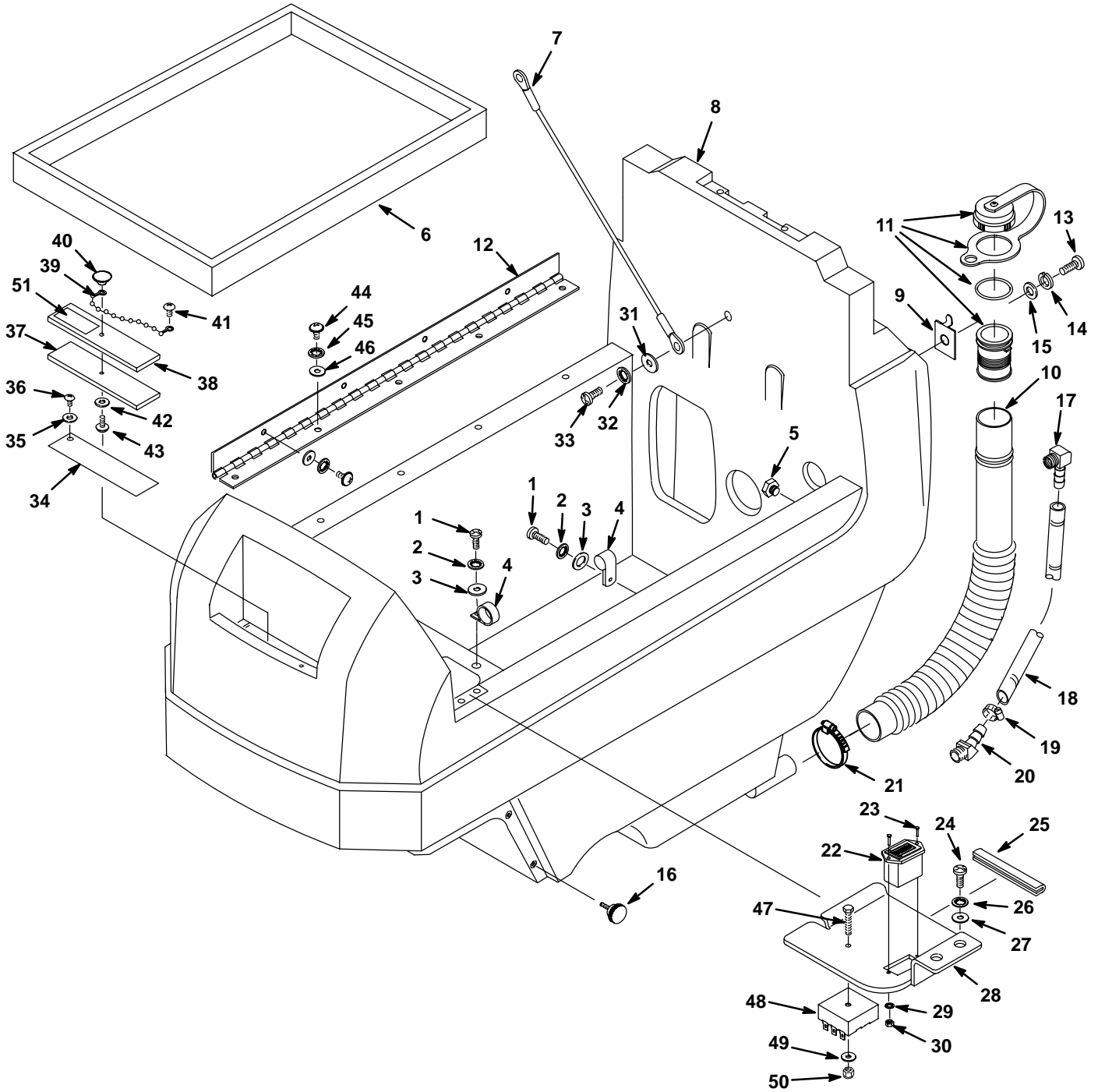
REF	PART #	DESCRIPTION	QTY.
▽ 8	385944	●ASSEMBLY, PAD DRIVER, 305MM (12 IN)	2
	385946	●ASSEMBLY, PAD DRIVER, 330MM (13 IN)	2
▲ 9	630431	SCREW, M6X1.0X40 HXHDCP	3
▲ 10	626074	●CLIP, RETAINER BRUSH HUB	2
▲ 11	626072	●SPRING, BRUSH HUB	1
▲ 12	626080	SPACER, 8.1X17.5X4.8	2
▲ 13	626133	●ADAPTER, BRUSH	1
▲ 14	11218	SPACER	1
▲ 15	370095	●CENTERLOCK	1
16	385943	●PAD, STRIPPER, BROWN, 305MM (12 IN)	1
	385942	●PAD, SCRUBBER, BLUE, 305MM (12 IN)	1
	385941	●PAD, BUFFING, RED, 305MM (12 IN)	1
	385940	●PAD, POLISHING, WHITE, 305MM (12 IN)	1
	89046	●PAD, STRIPPER, BROWN, 330MM (13 IN)	1
	89047	●PAD, SCRUBBER, BLUE, 330MM (13 IN)	1
	89048	●PAD, BUFFING, RED, 330MM (13 IN)	1
	89049	●PAD, POLISHING, WHITE, 330MM (13 IN)	1

▽ ASSEMBLY / CONJUNTO

▲ INCLUDED IN ASSEMBLY / INCLUIDO EN EL CONJUNTO

● RECOMMENDED STOCK ITEMS / ARTICULOS RECOMENDADOS PARA MANTENER EN EXISTENCIA

SOLUTION TANK GROUP
GRUPE DEL DEPÓSITO DE DISOLUCIÓN



SOLUTION TANK GROUP
GRUPE DEL DEPÓSITO DE DISOLUCIÓN

REF	PART #	DESCRIPTION	QTY.
1	608322	SCREW, M6X1.0X16 TRSPHL	3
2	578244000	WASHER, M6.4 LOCK	3
3	140000	WASHER, 1/4 FLAT	3
4	606697	CLAMP 1.125 DIA	3
5	630146	PLUG, 3/8"	1
6	605059	TRAY, BATTERY	1
7	140960	●CABLE, REC TANK SUPPORT	1
8	611344	TANK, SOLUTION – TEAL	1
9	601460	CLIP, DRAIN HOSE	1
▽ 10	1010143	●ASM., DRAIN HOSE	1
▲ 11	1008639	●ASM., CAP, DRAIN HOSE	1
12	605244	HINGE, RECOVERY TANK	1
13	608322	SCREW, M6X1.0X16 TRSPHL	1
14	578244000	WASHER, M6.4 LOCK	1
15	140000	WASHER, 1/4 FLAT	1
16	603012	●KNOB, FRONT SHROUD	5
17	150419	FITTING, 1/4MX3/8H ELBOW	1
18	606879	HOSE, SIGHT GAGE	1
19	140305	CLAMP, HOSE 7/32–5/8	1
20	605394	FITTING, BRS, E45, BM06/PM04 T	1
21	140307	CLAMP, HOSE 3/4 TO 1–3/4	1
22	31988	HOUR METER, 18–60VDC	1
23	200070266	SCREW, M3X.5X16 PANPHL	2
24	608322	SCREW, M6X1.0X16 TRSPHL	2
25	606889	EDGING, PLASTIC 1/8 X 3.6"	1
26	578244000	WASHER, M6.4 LOCK	2
27	140000	WASHER, 1/4 FLAT	2

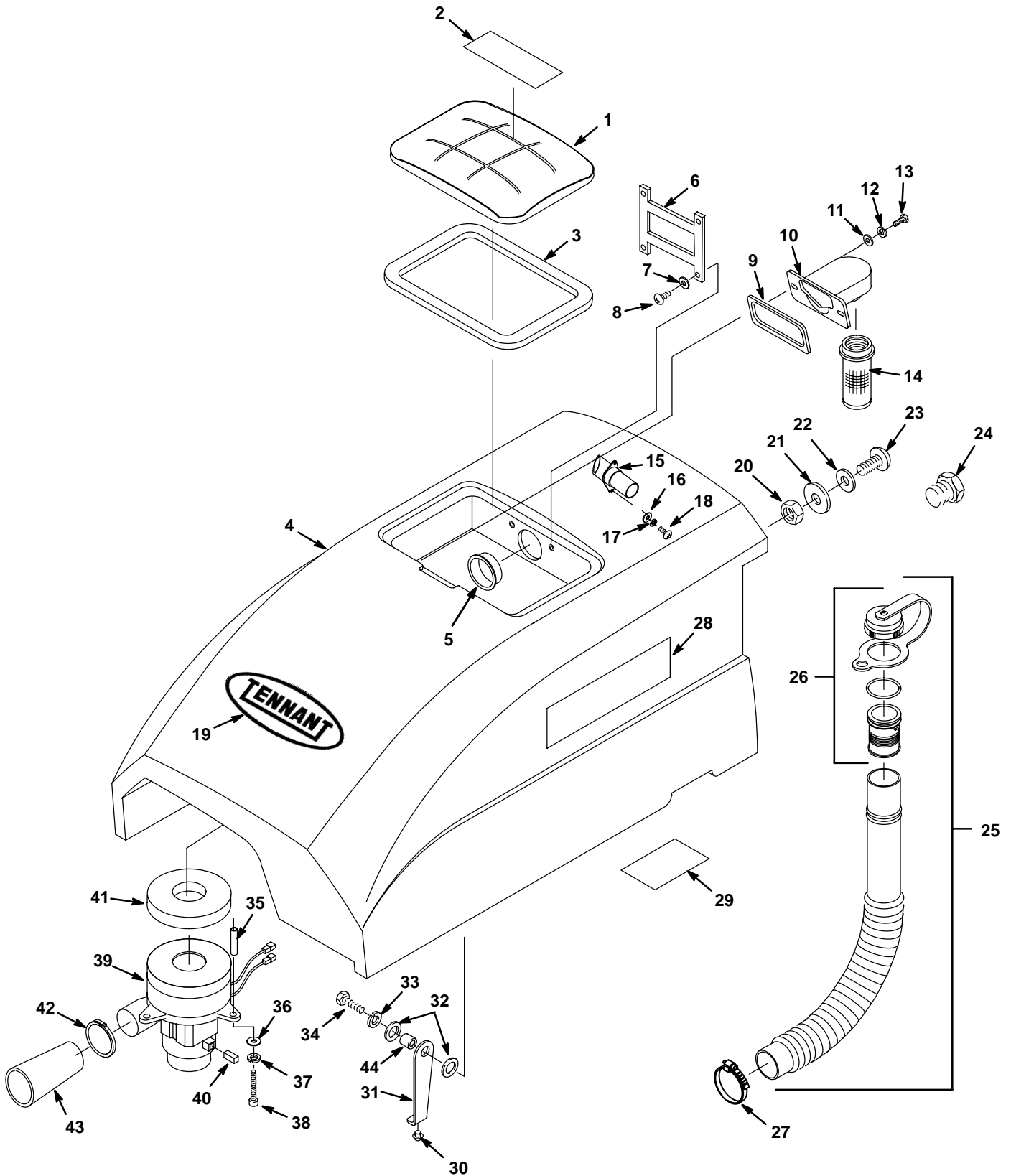
REF	PART #	DESCRIPTION	QTY.
28	606524	BRACKET, HOUR METER	1
29	200301012	WASHER, M3 FLAT	2
30	579211	NUT, M3 HEXLCK	2
31	140000	WASHER, 1/4 FLAT	1
32	578244000	WASHER, M6.4 LOCK	1
33	608322	SCREW, M6X1.0X16 TRSPHL	1
34	606146	●SCREEN, SOLUTION FILL	1
35	140032	WASHER, #6 FLAT	2
36	140826	SCREW, #6X3/4 PANPHL	2
37	605062	●GASKET, SOLUTION FILL COVER	1
38	605061	●COVER, SOLUTON FILL	1
39	621443	●CHAIN, DRAIN PLUG	1
40	578301	●KNOB, FILL COVER	1
41	140826	SCREW, #6X3/4 PANPHL	1
42	140018	WASHER, #10 LOCK	1
43	578201000	SCREW, #10–32X.5 PANPHL	1
44	608322	SCREW, M6X1.0X16 TRSPHL	9
45	578244000	WASHER, M6.4 LOCK	9
46	140000	WASHER, 1/4 FLAT	9
47	06945	SCREW, HEX M06X1.0X30 (FAST OPTION)	1
48	1005325	TIMER, PUMP, DETERGENT 24V–36V (FAST OPTION)	1
49	32483	WASHER, FLAT .25 (FAST OPTION)	1
50	08708	NUT, HEX LOCK M06X1.0 NY (FAST OPTION)	1
51	391451	LABEL, ATTENTION (FAST MODEL)	1

▽ ASSEMBLY / CONJUNTO

▲ INCLUDED IN ASSEMBLY / INCLUIDO EN EL CONJUNTO

● RECOMMENDED STOCK ITEMS / ARTICULOS RECOMENDADOS PARA
MANTENER EN EXISTENCIA

RECOVERY TANK GROUP
CONJ. DESPOSITO RECUPERAR



RECOVERY TANK GROUP
CONJ. DESPOSITO RECUPERAR

1017865

REF	PART #	DESCRIPTION	QTY.
∇ 1	613716	ASM., LID & LABEL	1
▲ 2	613287	LABEL, WARNING	1
3	630367	●GASKET, REC. TANK COVER	1
4	606587	TANK, RECOVERY, TEAL	1
5	610979	PLUG, CAP 2"	1
6	630056	STRAP, TANK COVER RETAINING	1
7	1009168	WASHER, .174 FLAT	4
8	140872	SCREW, #6X3/8 PANPHL	4
9	630255	GASKET, FLOAT MOUNT	1
10	630053	MOUNT, FLOAT CAGE	1
11	140000	WASHER, 1/4 FLAT	2
12	578244000	WASHER, M6.4 LOCK	2
13	600385	SCREW, M6X1.0X20 PANPHL	2
14	630052	●FLOAT CAGE, W/BALL	1
15	607372	ADAPTER, HOSE	1
16	200301016	WASHER, M5.3 FLAT	2
17	200655016	WASHER, M5 LOCK	2
18	200070382	SCREW, M5X.8X10	2
19	630229	DECAL, TENNANT	1
20	603418	NUT, 5/8-11 HEX NYLON	1
21	605147	WASHER, .65 RUBBER	1
22	605385	WASHER, .69 FLAT	1
23	609709	SCREW 5/8-11X1"	1

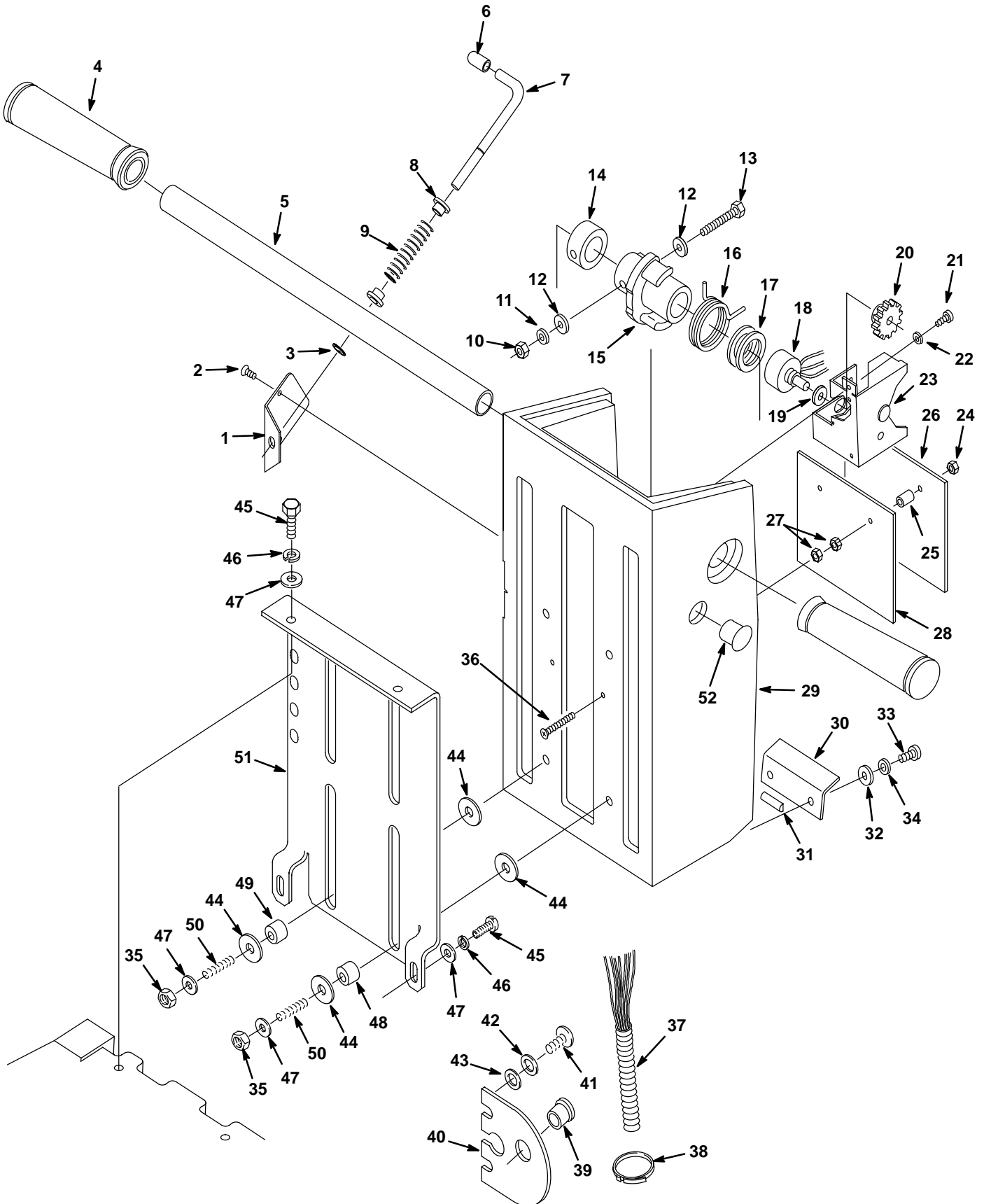
REF	PART #	DESCRIPTION	QTY.
24	630147	PLUG, 3/4"	1
∇ 25	1010143	●ASM., DRAIN HOSE	1
▲ 26	1008639	●ASM., CAP, DRAIN HOSE	1
27	140307	CLAMP, HOSE	1
28	606401	DECAL, 5400	2
	1005333	DECAL, 5400 FAST	2
29	606520	DECAL, BATTERY PLACEMENT	1
30	069760189	●BUMPER, RUBBER	1
31	606527	●SUPPORT, RECOVERY TANK	1
32	140027	WASHER, 5/16 FLAT	2
33	140015	WASHER, 5/16 LOCK	1
34	200031486	SCREW, M8X1.25X16 HXHDCP	1
35	626041	SPACER	3
36	140000	WASHER, 1/4 FLAT	3
37	140016	WASHER, 1/4 LOCK	3
38	626123	SCREW, M6X100 HXHDCP	3
∇ 39	605057	●MOTOR, VACUUM 5.7 3STG 24VDC	1
▲ 40	190163	BRUSH, CARBON, 2/PK	1
41	626092	●GASKET, VACUUM FAN	1
42	130041	WIRE TIE, NYLON	1
43	600009	●MUFFLER, VAC EXHAUST	1
44	611418	SLEEVE, P/M, .437D .315B .14L	1

∇ ASSEMBLY / CONJUNTO

▲ INCLUDED IN ASSEMBLY / INCLUIDO EN EL CONJUNTO

● RECOMMENDED STOCK ITEMS / ARTICULOS RECOMENDADOS PARA
MANTENER EN EXISTENCIA

CONSOLE GROUP
CONJUNTO CONSOLA DE CONTROLES



CONSOLE GROUP
CONJUNTO CONSOLA DE CONTROLES

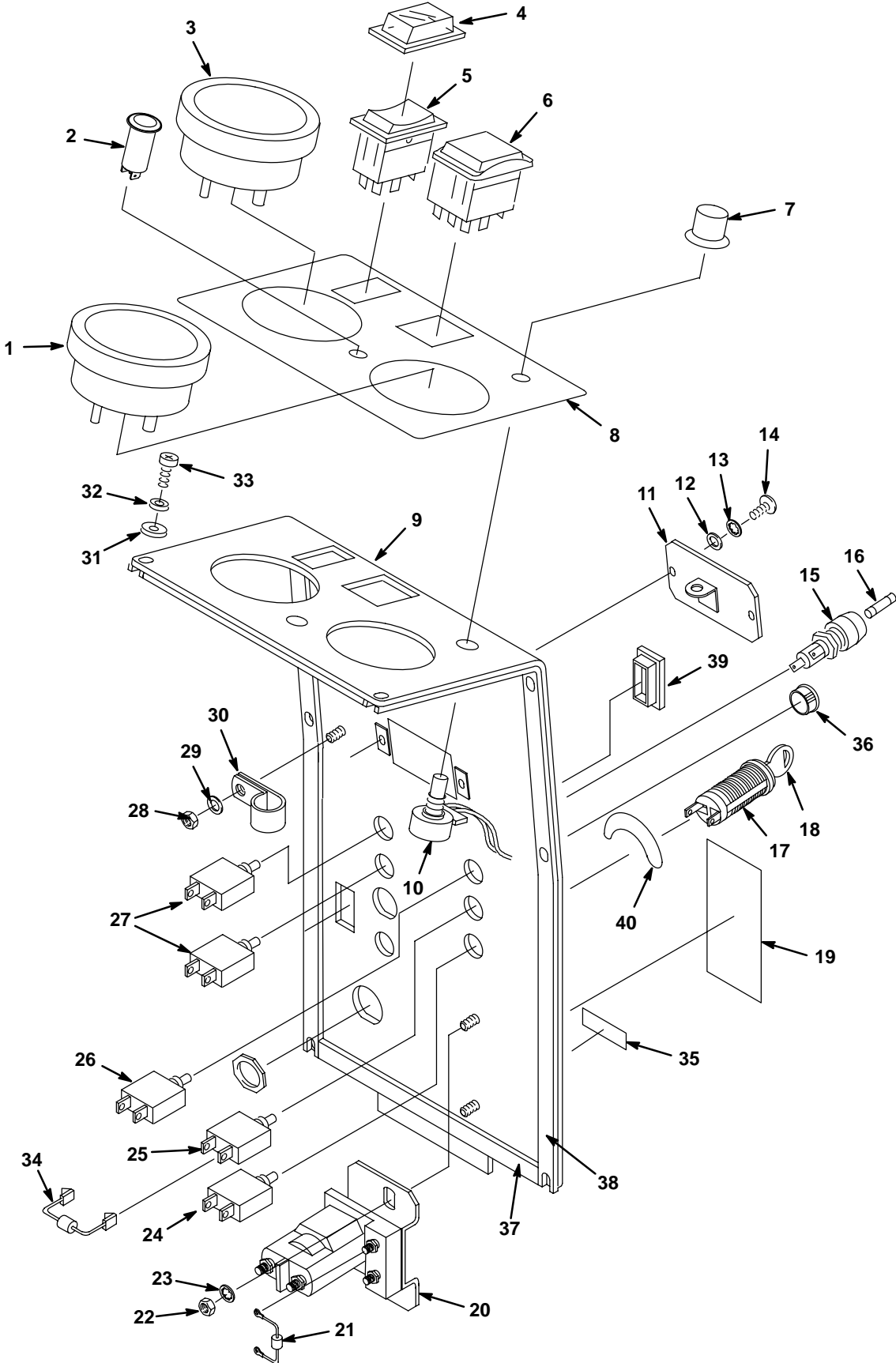
REF	PART #	DESCRIPTION	QTY.
1	630087	PLATE, LATCH RETAINER	1
2	630114	SCREW, M4X.7X8 FLTPHL	2
3	630084	RING, RETAINING EXT.	1
4	222648	●GRIP, HANDLE TUBE	2
5	630093	HANDLEBAR	1
6	630094	GRIP, CONSOLE ADJUST LEVER	1
7	630081	LEVER, CONSOLE ADJUST.	1
8	630083	BUSHING, LATCH	2
9	630082	SPRING	1
10	579029	NUT, M6X1.0	1
11	578244000	WASHER, M6.4 LOCK	1
12	579210	WASHER, 6.4X18.0X1.5 FLAT	2
13	630431	SCREW, M6X1.0X40 HXHDCP	1
14	630217	COLLAR	1
15	630109	●ASSEMBLY, HUB/GEAR	1
16	630088	●SPRING, CENTER	1
17	069760582	WASHER, NYLON	2
18	609982	●POTENTIOMETER & WIRING ASM	1
19	32485	WASHER, .38 FLAT	1
20	630099	●GEAR	1
21	200070340	SCREW, M4X.7X8 PANPHL	2
22	140023	WASHER, #8 LOCK	2
23	630079	BRACKET, LIMIT SWITCH MOUNT	1
24	02850	NUT, M4 HXLCK	2
25	610943	SPACER, .217ID, .315OD, .375L	2
26	630104	BOARD, SPEED CONTROL	1

1026373

REF	PART #	DESCRIPTION	QTY.
27	02850	NUT, M4 HXLCK	4
28	630128	HEATSINK, 11GA. ALUM.	1
29	610924	CONSOLE – TEAL	1
30	630086	PLATE, STRAIN RELIEF	1
31	606888	SKID STRIP, .75" LONG	1
32	140000	WASHER, 1/4 FLAT	2
33	608322	SCREW, M6X1.0X16 TRSPHL	2
34	578244000	WASHER, M6.4 LOCK	2
35	08709	NUT, M8 HXLCK	4
36	630304	SCREW, M4X.7X35 FLTPHL	2
37	613374	HARNESS, WIRE MAIN W/FaST™	1
38	130042	WIRE TIE, NYLON	2
39	130104	BUSHING, SNAP .875 ID	1
40	605067	RETAINER, WIRE HARNESS	1
41	608322	SCREW, M6X1.0X16 TRSPHL	2
42	578244000	WASHER, M6.4 LOCK	2
43	140000	WASHER, 1/4 FLAT	2
44	608562	WASHER, .506 FLAT, NYLON	8
45	578237000	SCREW, M8X1.25X18 HXHDCP	4
46	200370019	WASHER, M8.4 LOCK	4
47	32491	WASHER, 5/16 FLAT	8
48	607783	BEARING, .314ID, .503OD	2
49	630259	BEARING, 9.5ID, 12.7OD	2
50	607461	SCREW, SET, M8X1.25X35	4
51	608563	PLATE, CONSOLE SLIDE	1
52	130280	PLUG, DOME	1

- RECOMMENDED STOCK ITEMS / ARTICULOS RECOMENDADOS PARA MANTENER EN EXISTENCIA

CONSOLE PANEL GROUP
GRUPO TABLERO DE COMPONENTÉ



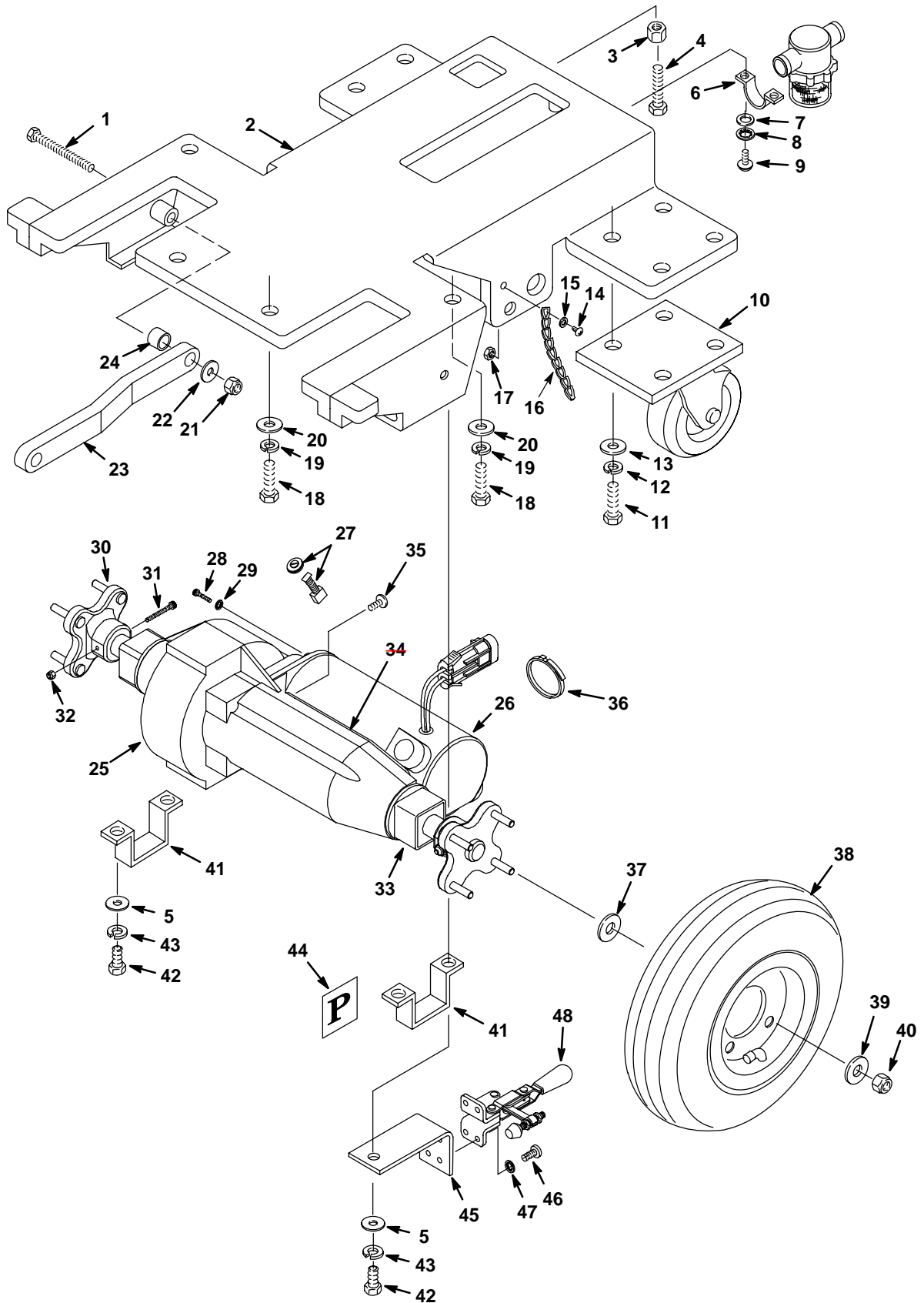
CONSOLE PANEL GROUP
GRUPO TABLERO DE COMPONENTÉ

REF	PART #	DESCRIPTION	QTY.
1	630091	●METER, BATTERY	1
2	130738	●LIGHT, INDICATOR GREEN	1
3	606990	●GAUGE, BRUSH PRESSURE	1
4	578720	●SPLASHGUARD, RCKR SWITCH	1
5	630419	●SWITCH, SOLUTION	1
6	1007012	●SWITCH, BRUSH PRESSURE	1
7	630265	●KNOB, SPEED LIMIT	1
8	606518	DECAL, DASH	1
9	605044	PANEL, SWITCH	1
10	630133	●RESISTOR, 0-20K, SPEED CONTROL	1
11	605045	PLATE, SWITCH COVER	1
12	575541000	WASHER, M5.3 FLAT	2
13	200655016	WASHER, M5 LOCK	2
14	578141000	SCREW, M5X10 PANPHL	2
15	578418	●FUSEHOLDER, BAYONETTE	1
16	601091	●FUSE, 2AMP	1
17	130785	●SWITCH, KEY	1
18	607821	●KEY, REPLACEMENT	1
19	606519	DECAL, CIRCUIT BREAKERS	1
20	603008	●CONTACTOR	1

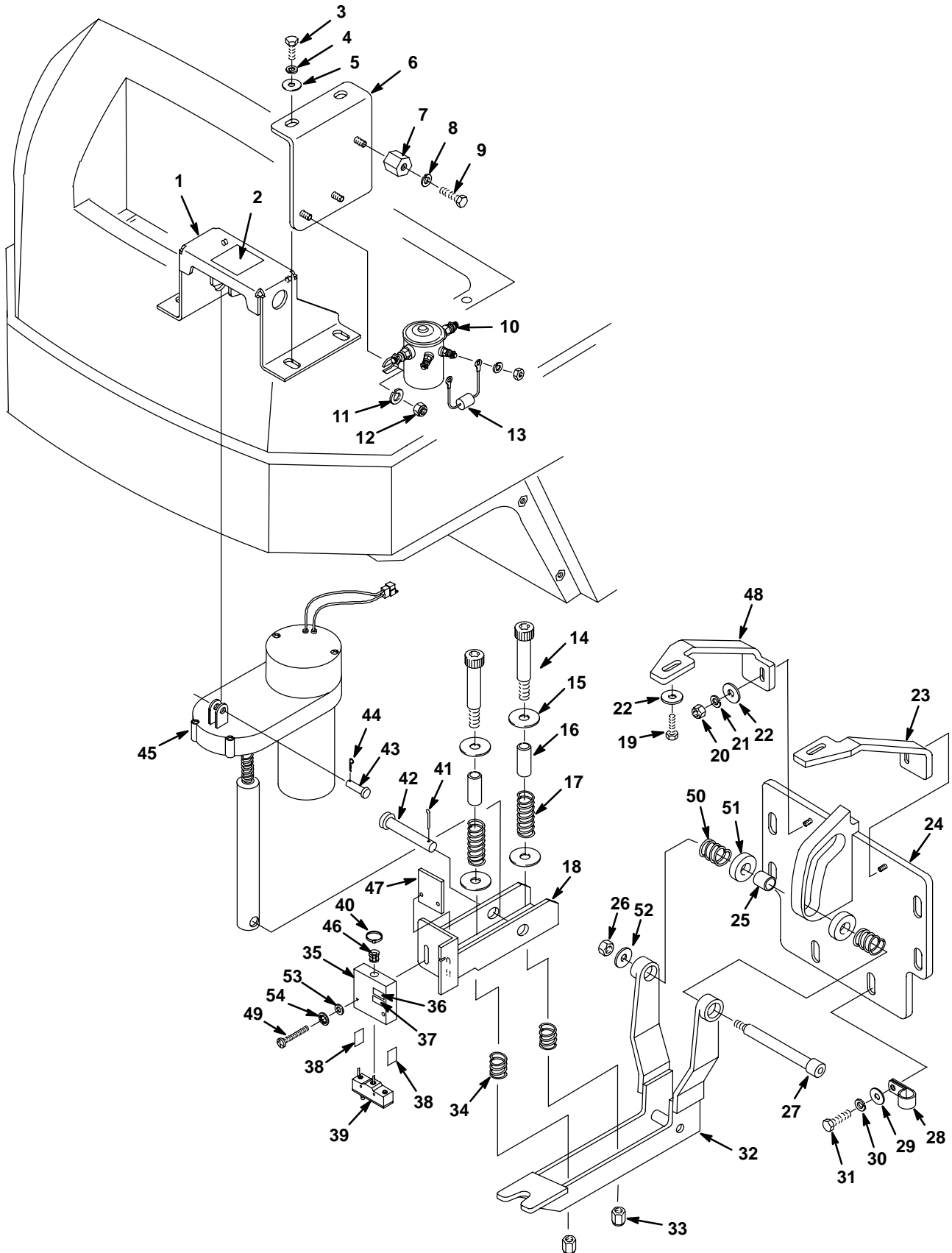
REF	PART #	DESCRIPTION	QTY.
21	606404	●ASM, DIODE W/RING TERMINALS	1
22	08708	NUT, M6 HXLCK	2
23	6306.4	WASHER, 1/4 FLAT	2
24	612485	●BREAKER, CIRCUIT 25 AMP	1
25	603487	●BREAKER, CIRCUIT 15 AMP	1
26	130737	●BREAKER, CIRCUIT BRUSH 10 AMP	1
27	606780	●BREAKER, CIRCUIT 30 AMP	2
28	09739	NUT, M5X.8 NYLCK	1
29	575541000	WASHER, M5.3 FLAT	1
30	140323	CLAMP, NYLON 1/2"	1
31	200301014	WASHER, M4.3 FLAT	8
32	140023	WASHER, #8 LOCK	8
33	200070340	SCREW, M4X.7X8 PANPHL	8
34	607394	DIODE	1
35	-	DECAL, PAT. PEND.	1
36	130280	PLUG, DOME 7/16 BLACK	1
37	630453	GASKET, CONSOLE 143MM	2
38	630119	GASKET, CONSOLE 3.1X8.0X420	2
39	582150	PLUG, SWITCH HOLE	1
40	604793	DECAL, KEYSWITCH ON(1)/OFF(0)	1

- RECOMMENDED STOCK ITEMS / ARTICULOS RECOMENDADOS PARA MANTENER EN EXISTENCIA

DRIVE GROUP
GRUPO DE TRANSMISIÓN



SCRUB HEAD ACTUATOR GROUP
GRUPO DEL ACTUADOR DEL CABEZAL DE FREGADO



SCRUB HEAD ACTUATOR GROUP
GRUPO DEL ACTUADOR DEL CABEZAL DE FREGADO

REF	PART #	DESCRIPTION	QTY.
1	605025	BRACKET, ACTUATOR MOUNT	1
2	606521	DECAL, GENERAL HAZARD	1
3	200031488	SCREW M8X1.25X20 HXHDCP	4
4	200370019	WASHER, M8.4 LOCK	4
5	32491	WASHER, 5/16 FLAT	4
6	606523	BRACKET, CONTACTOR	1
76062	578427	●STANDOFF, TERMINAL	1
8	140016	WASHER, 1/4 LOCK	1
9	069762126	SCREW, 1/4-20X5/8 HEX	1
10	605905	●SOLENOID, 24 VDC	1
11	6306.4	WASHER, 1/4 FLAT	2
12	08708	NUT, M6 HXLCK	2
13	606404	●ASM, DIODE W/RING TERMINALS	1
14	45960	●SCREW, SHLDR 3/8-16X4.25	2
15	32486	WASHER, .50 FLAT	4
16	609765	SLEEVE .50 ID X .63 OD X 1.31LG	2
17	45261	●SPRING	2
18	609698	BRACKET, SCRUBHEAD SPRING	1
19	200031488	SCREW M8X1.25X20 HXHDCP	2
20	08709	NUT, M8 HXLCK	2
21	200370019	WASHER, M8.4 LOCK	2
22	32491	WASHER, 5/16 FLAT	4
23	611050	BRACKET, ROLLER SUPPORT, LEFT	1
24	608199	BRACKET, HEADLIFT TRACK	1
25	608198	●ROLLER , LINKAGE	1
26	59156	NUT, 3/8-16 NYLCK	1
27	45960	●SCREW, SHLDR 3/8-16X4.25	1

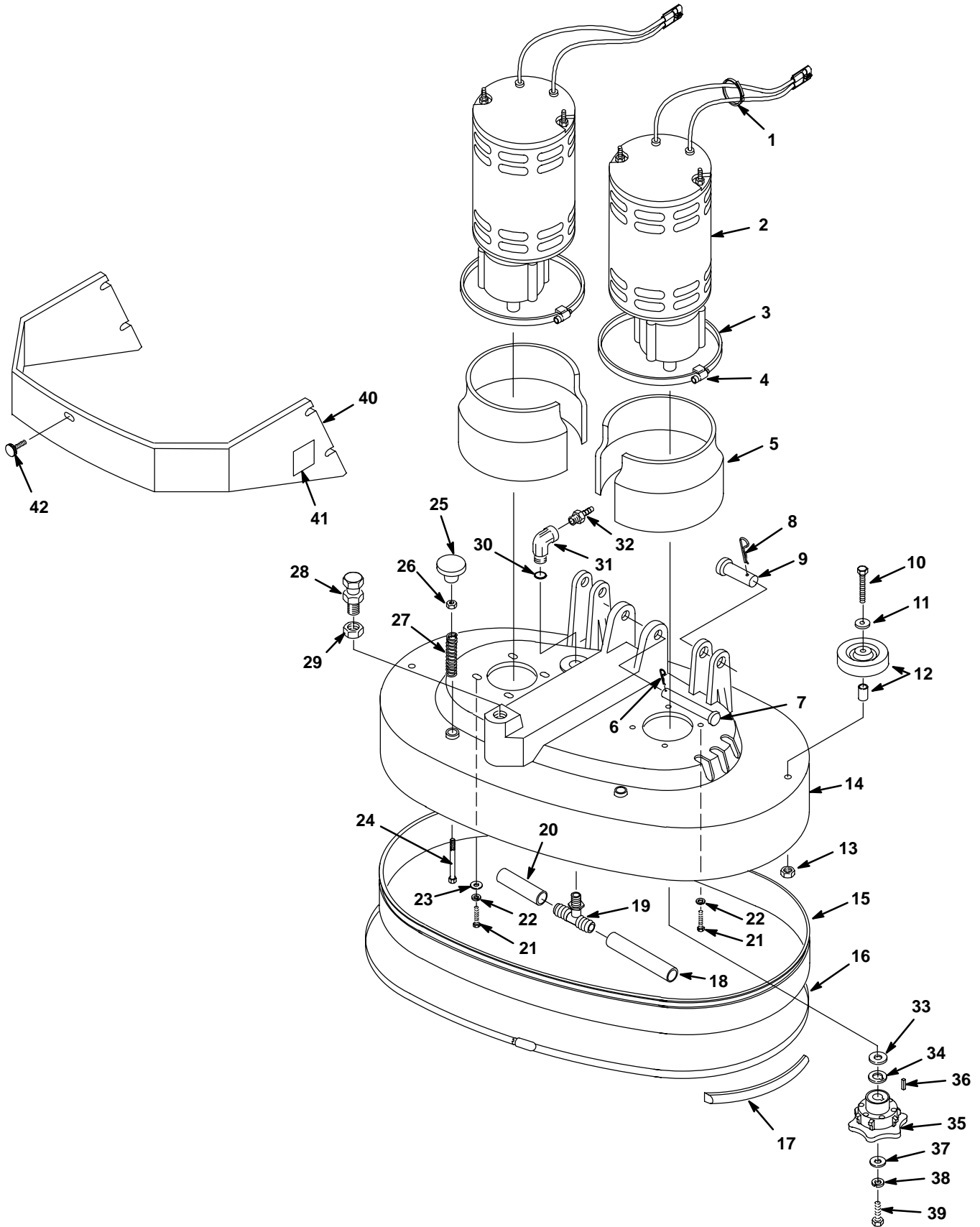
REF	PART #	DESCRIPTION	QTY.	
28	140314	CLAMP, INSULATED 3/4	1	
29	32491	WASHER, 5/16 FLAT	6	
30	200370019	WASHER, M8.4 LOCK	6	
31	200031488	SCREW M8X1.25X20 HXHDCP	6	
32	608197	BRACKET, SCRUBHEAD ROLLER	1	
33	59156	NUT, 3/8-16 NYLCK	2	
34	63185	●SPRING, 2.0LGX.84ODX.098WIRE	2	
▽	35	610211	BOX, SWITCH	1
▲	36	609702	DECAL, SWITCH CYL. HEAD	1
▲	37	609701	DECAL, SWITCH DISK HEAD	1
▲	38	609697	DECAL, BARRIER SWITCH	2
39	606668	●SWITCH, MOMENT	1	
40	130041	WIRE TIE, NYLON	1	
41	578421	PIN, COTTER, .12" X 1.00"	1	
42	630448	PIN, CLEVIS, .50DIA X 2.25	1	
43	578202000	●PIN, CLEVIS .38DIA X 1.50	1	
44	140626	●PIN, HITCH	1	
45	606091	●ACTUATOR, 24VDC	1	
46	607115	BUSHING, STRAIN RELIEF	1	
47	607114	PLATE, BRACKET	1	
48	611049	BRACKET, ROLLER SUPPORT, RIGHT	1	
49	607398	SCREW, #6-32X1.25	2	
50	607920	●SPRING, .72OD X1.00 LG	2	
51	607568	●WASHER, THRUST, 1-1/2 OD	2	
52	140046	WASHER, 1.00 X .392	1	
53	140032	WASHER, #6 FLAT	2	
54	140042	WASHER, #6 LOCK	2	

▽ ASSEMBLY / CONJUNTO

▲ INCLUDED IN ASSEMBLY / INCLUIDO EN EL CONJUNTO

● RECOMMENDED STOCK ITEMS / ARTICULOS RECOMENDADOS PARA MANTENER EN EXISTENCIA

DISK SCRUB HEAD GROUP, 610mm (24 in)
GRUPO DEL CABEZAL DE FREGADO DE DISCO



DISK SCRUB HEAD GROUP, 610mm (24 in)
GRUPO DEL CABEZAL DE FREGADO DE DISCO

REF	PART #	DESCRIPTION	QTY.
∇	606761	KIT, SCRUBHEAD DISK FIELD INSTALLED	1
▲ 1	130040	WIRE TIE, NYLON 6 X .115	2
▲∇ 2	605054	●MOTOR, .75HP 270RPM 24VDC	2
▲▲	190741	●BRUSH, CARD ASM	2
▲▲	190970	●BRUSH, CARBON	4
▲▲	602088000	BEARING, .15 AND 3 HP MOTOR	1
▲▲	630607	BEARING, LOWER	1
▲▲	630609	GEARBOX ASSEMBLY	1
▲ 3	606883	BAND, SS 16.12"	2
▲ 4	602044000	FASTENER, ADJUSTING	2
▲ 5	611691	SHROUD, WATER, MOTOR	2
▲ 6	140626	●PIN, HITCH	1
▲ 7	606078	●CLEVIS PIN, .375DIA X 3	1
▲ 8	02942	●PIN HAIR, .12 WIRE 2.375	2
▲ 9	222210	●PIN CLEVIS, .625 DIA X 2.12	2
▲ 10	222505	SCREW, M8X1.25X45 HXHDCP	2
▲ 11	32491	WASHER, 5/16 FLAT	2
▲ 12	630450	●WHEEL, RUBBER	2
▲ 13	08709	NUT, M8 HXLCK	2
▲ 14	604978	CASTING, DISC SCRUB HEAD	1
▲ 15	604981	●SKIRT, SCRUB HEAD	1
▲∇ 16	069767094	●KIT, BAND REPLACEMENT	1
▲	602044000	FASTENER, ADJ. SKIRT	1
▲ 17	606884	●SKID STRIP, 1.219M (48")	1
▲ 18	606885	TUBING, 3/8 ID X 7.75"	1

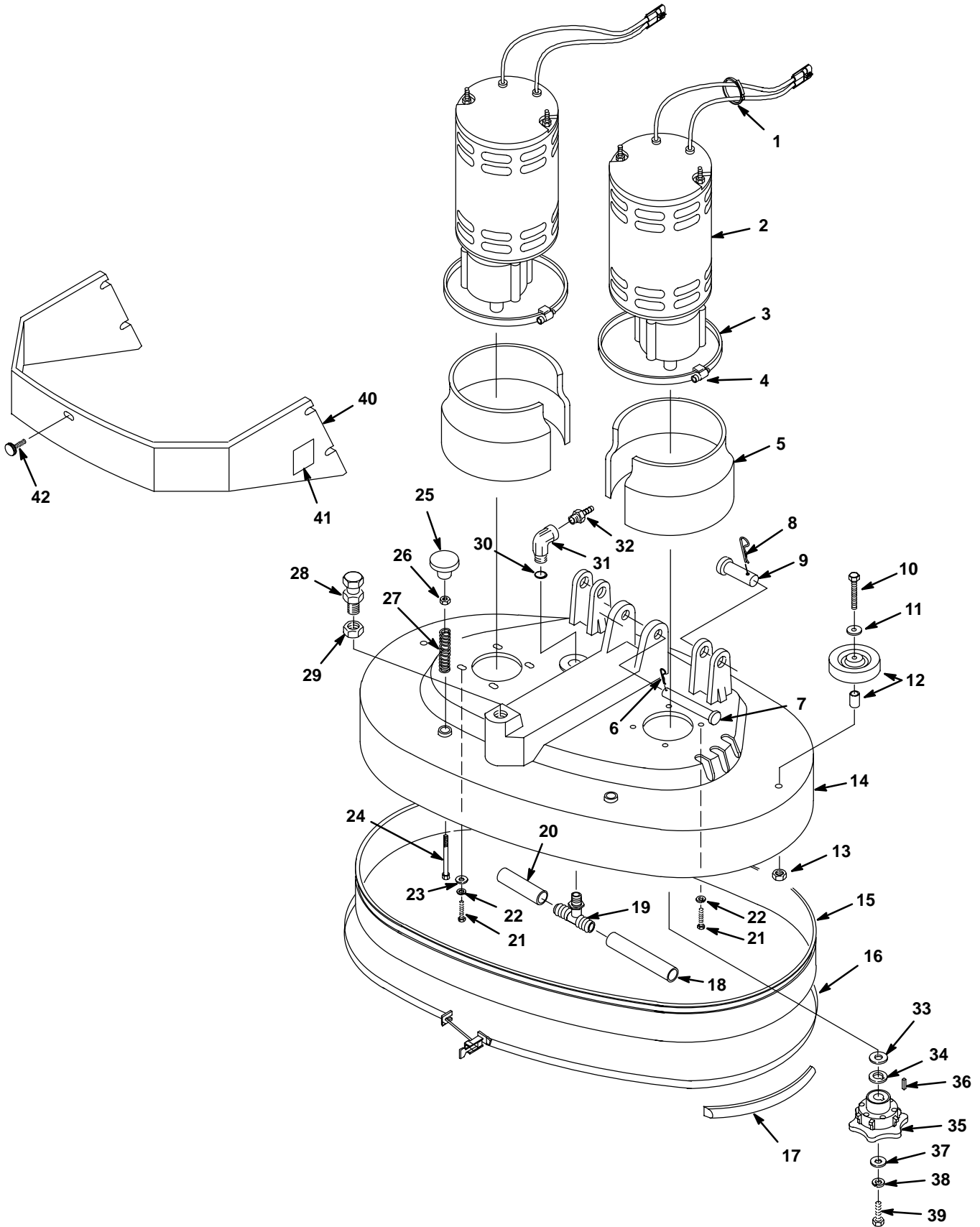
REF	PART #	DESCRIPTION	QTY.
▲ 19	605052	FITTING, 1/8"NPTM X 3/8"	1
▲ 20	606886	TUBING, 3/8 ID X 2.75"	1
▲ 21	140202	SCREW, 3/8-16X1 HXHDCP	8
▲ 22	140017	WASHER, 3/8 LOCK	8
▲ 23	140028	WASHER, 3/8 FLAT	4
▲ 24	606072	SCREW, 3/8-16X4.5 HXHDCP	2
▲ 25	626083	●KNOB, 3/8	2
▲ 26	039708223	NUT, 3/8-16 HXJM	2
▲ 27	626081	●SPRING, COMP	2
▲ 28	606548	ADJUSTER, STUD	1
▲ 29	3147	NUT, HEAVY HEX JAM 5/8-11	1
▲ 30	605058	O-RING	1
▲ 31	605047	FITTING, 90 ELBOW	1
▲ 32	069764592	FITTING, 1/2MX1/2H	1
▲ 33	069760023	WASHER, .77 FLAT	2
▲ 34	621471	SPACER, .75X1.12	2
▲ 35	626022	●HUB, DRIVE	2
▲ 36	630454	KEY, SQUARE, .25" X 1.12"LG	2
▲ 37	069764631	WASHER, M8.4 FLAT	2
▲ 38	140015	WASHER, 5/16 LOCK	2
▲ 39	140221	SCREW, 5/16-18X1-1/4 HXHDCP	2
▲ 40	606147	SHROUD, SCRUB HEAD	1
▲ 41	578769	DECAL, MOVING PARTS	2
▲ 42	603012	KNOB, M6	5

∇ ASSEMBLY / CONJUNTO

▲ INCLUDED IN ASSEMBLY / INCLUIDO EN EL CONJUNTO

● RECOMMENDED STOCK ITEMS / ARTICULOS RECOMENDADOS PARA MANTENER EN EXISTENCIA

DISK SCRUB HEAD GROUP, 660mm (26 in)
GRUPO DEL CABEZAL DE FREGADO DE DISCO



DISK SCRUB HEAD GROUP, 660mm (26 in)
GRUPO DEL CABEZAL DE FREGADO DE DISCO

REF	PART #	DESCRIPTION	QTY.
∇	610873	KIT, SCRUBHEAD, DISK FIELD INSTALLED	1
▲ 1	130040	WIRE TIE, NYLON 6 X .115	2
▲∇ 2	605054	●MOTOR, .75HP 270RPM 24VDC	2
▲▲	190741	●BRUSH, CARD ASM	2
▲▲	190970	●BRUSH, CARBON	4
▲▲	602088000	BEARING, .15 AND 3 HP MOTOR	1
▲▲	630607	BEARING, LOWER	1
▲▲	630609	GEARBOX ASSEMBLY	1
▲ 3	606883	BAND, SS 16.12"	2
▲ 4	602044000	FASTENER, ADJUSTING	2
▲ 5	611691	SHROUD, WATER, MOTOR	2
▲ 6	140626	●PIN, HITCH	1
▲ 7	606078	●CLEVIS PIN, .375DIA X 3	1
▲ 8	02942	●PIN HAIR, .12 WIRE 2.375	2
▲ 9	222210	●PIN CLEVIS, .625 DIA X 2.12	2
▲ 10	222505	SCREW, M8X1.25X45 HXHDCP	2
▲ 11	32491	WASHER, 5/16 FLAT	2
▲ 12	630450	●WHEEL, RUBBER	2
▲ 13	08709	NUT, M8 HXLCK	2
▲ 14	609939	CASTING, DISC SCRUB HEAD 26"	1
▲ 15	610902	●SKIRT, SCRUB HEAD	1
▲ 16	626136	●BAND, SKIRT RETAINING	1
▲ 17	630613	●SKID STRIP, 1.289M (50.75")	1
▲ 18	609470	TUBING, 3/8 ID X 8"	1

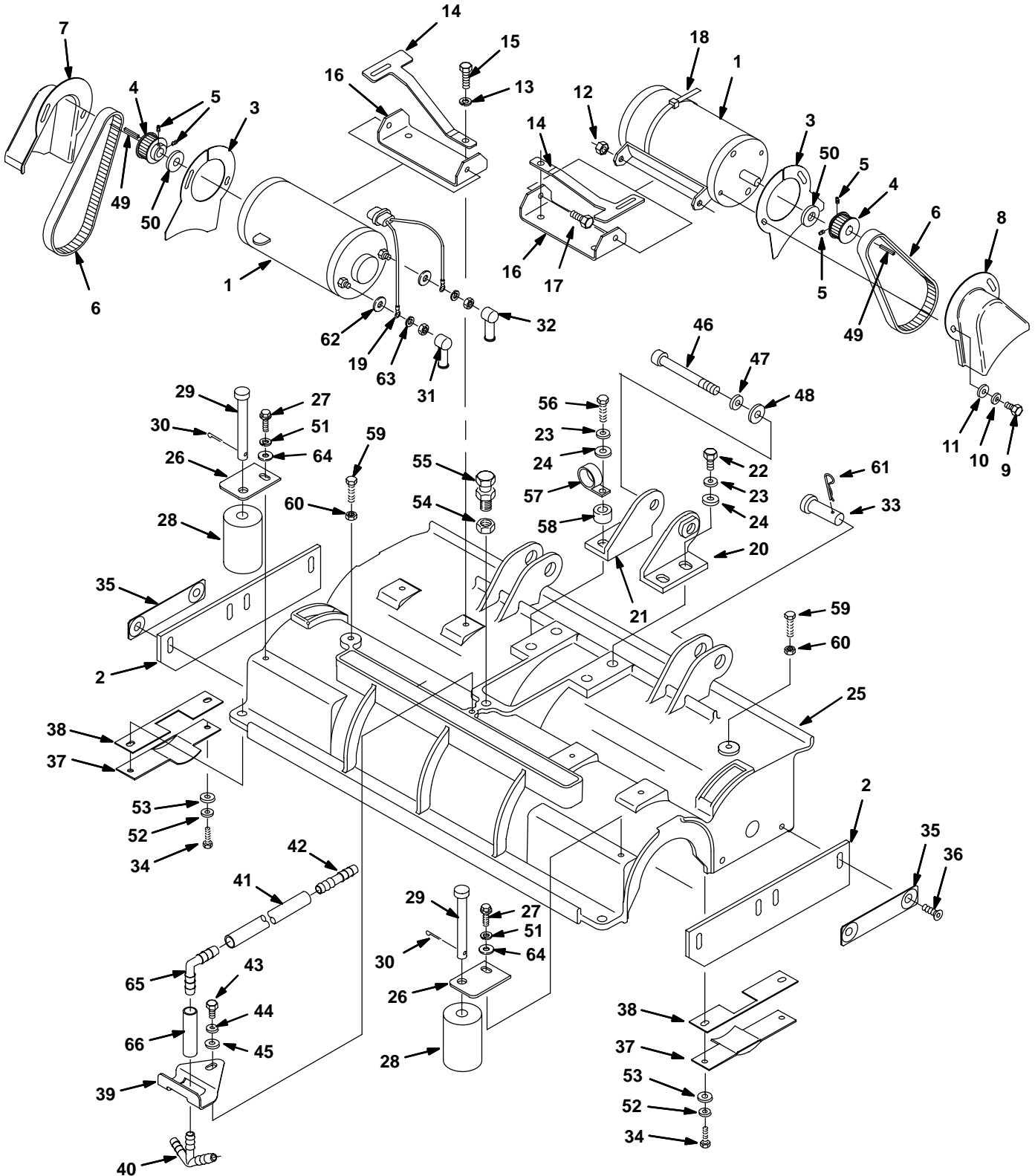
REF	PART #	DESCRIPTION	QTY.
▲ 19	605052	FITTING, 1/8"NPTM X 3/8"	1
▲ 20	606362	TUBING, 3/8 ID X 3"	1
▲ 21	140202	SCREW, 3/8-16X1 HXHDCP	8
▲ 22	140017	WASHER, 3/8 LOCK	8
▲ 23	140028	WASHER, 3/8 FLAT	4
▲ 24	606072	SCREW, 3/8-16X4.5 HXHDCP	2
▲ 25	626083	●KNOB, 3/8	2
▲ 26	039708223	NUT, 3/8-16 HXJM	2
▲ 27	626081	●SPRING, COMP	2
▲ 28	606548	ADJUSTER, STUD	1
▲ 29	3147	NUT, HEAVY HEX JAM 5/8-11	1
▲ 30	605058	O-RING	1
▲ 31	605047	FITTING, 90 ELBOW	1
▲ 32	069764592	FITTING, 1/2MX1/2H	1
▲ 33	069760023	WASHER, .77 FLAT	2
▲ 34	621471	SPACER, .75X1.12	2
▲ 35	626022	●HUB, DRIVE	2
▲ 36	630454	KEY, SQUARE, .25" X 1.12"LG	2
▲ 37	069764631	WASHER, M8.4 FLAT	2
▲ 38	140015	WASHER, 5/16 LOCK	2
▲ 39	140221	SCREW, 5/16-18X1-1/4 HXHDCP	2
▲ 40	606147	SHROUD, SCRUB HEAD	1
▲ 41	578769	DECAL, MOVING PARTS	2
▲ 42	603012	KNOB, M6	5

∇ ASSEMBLY / CONJUNTO

▲ INCLUDED IN ASSEMBLY / INCLUIDO EN EL CONJUNTO

● RECOMMENDED STOCK ITEMS / ARTICULOS RECOMENDADOS PARA
MANTENER EN EXISTENCIA

CYLINDRICAL BRUSH SCRUB HEAD GROUP, 610mm (24 in)
GRUPO DEL CABEZAL DE FREGADO CON CEPILLO CILÍNDRICO



CYLINDRICAL BRUSH SCRUB HEAD GROUP, 610mm (24 in)
GRUPO DEL CABEZAL DE FREGADO CON CEPILLO CILÍNDRICO

REF	PART #	DESCRIPTION	QTY.
∇	606760	KIT, SCRUBHEAD, CYLINDRICAL FIELD INSTALLED	1
▲ 1	604980	●MOTOR, 24V, 1500RPM, 23AMP	2
	190152	●CARBON BRUSH (PKG OF 4)	2
	605305	●SPRING NEGATOR	8
▲ 2	608473	●SKIRT, SIDE CYL. SCRUBHEAD	2
▲ 3	223563	SHIELD, BELT	2
▲ 4	222202	●SPROCKET, DRIVE	2
▲ 5	222818	●SCREW, SET 8-32 X .25 NYLON	4
▲ 6	397688	●BELT, SYNCHRONOUS	2
▲ 7	223560	GUARD, BELT RH	1
▲ 8	223561	GUARD, BELT LH	1
▲ 9	15678	SCREW, M6X1X16 HEX	4
▲ 10	200662017	WASHER, LOCK 6.4ID	4
▲ 11	140000	WASHER, 1/4 FLAT	4
▲ 12	08709	NUT, M8 HXLCK	4
▲ 13	200370019	WASHER, M8.4 LOCK	4
▲ 14	222209	SPRING, DOOR	2
▲ 15	200031488	SCREW M8X1.25X20 HXHDCP	4
▲ 16	606533	BRACKET, MOUNTING, MOTOR	2
▲ 17	200031488	SCREW M8X1.25X20 HXHDCP	4
▲ 18	130773	WIRE TIE	4
▲ 19	606795	●HARNESS, MOTOR	2
▲ 20	607805	BRACKET, CYL-HEAD, LH	1
▲ 21	607804	BRACKET, CYL-HEAD, RH	1
▲ 22	200031488	SCREW M8X1.25X20 HXHDCP	3
▲ 23	200370019	WASHER, M8.4 LOCK	4
▲ 24	32491	WASHER, 5/16 FLAT	4
▲ 25	606672	SCRUBBER HEAD, CYL BRUSH, 610MM (24 IN)	1
▲ 26	222179	BRACKET, ROLLER	2
▲ 27	200031488	SCREW M8X1.25X20 HXHDCP	2
▲ 28	222178	●ROLLER, WALL	2
▲ 29	222196	PIN, CLEVIS, .5 DIA, 4.25 LG	2
▲ 30	578421	PIN, COTTER, 1/8X1	2
▲ 31	608963	BOOT, TERMINAL RED	2
▲ 32	608964	BOOT, TERMINAL BLACK	2

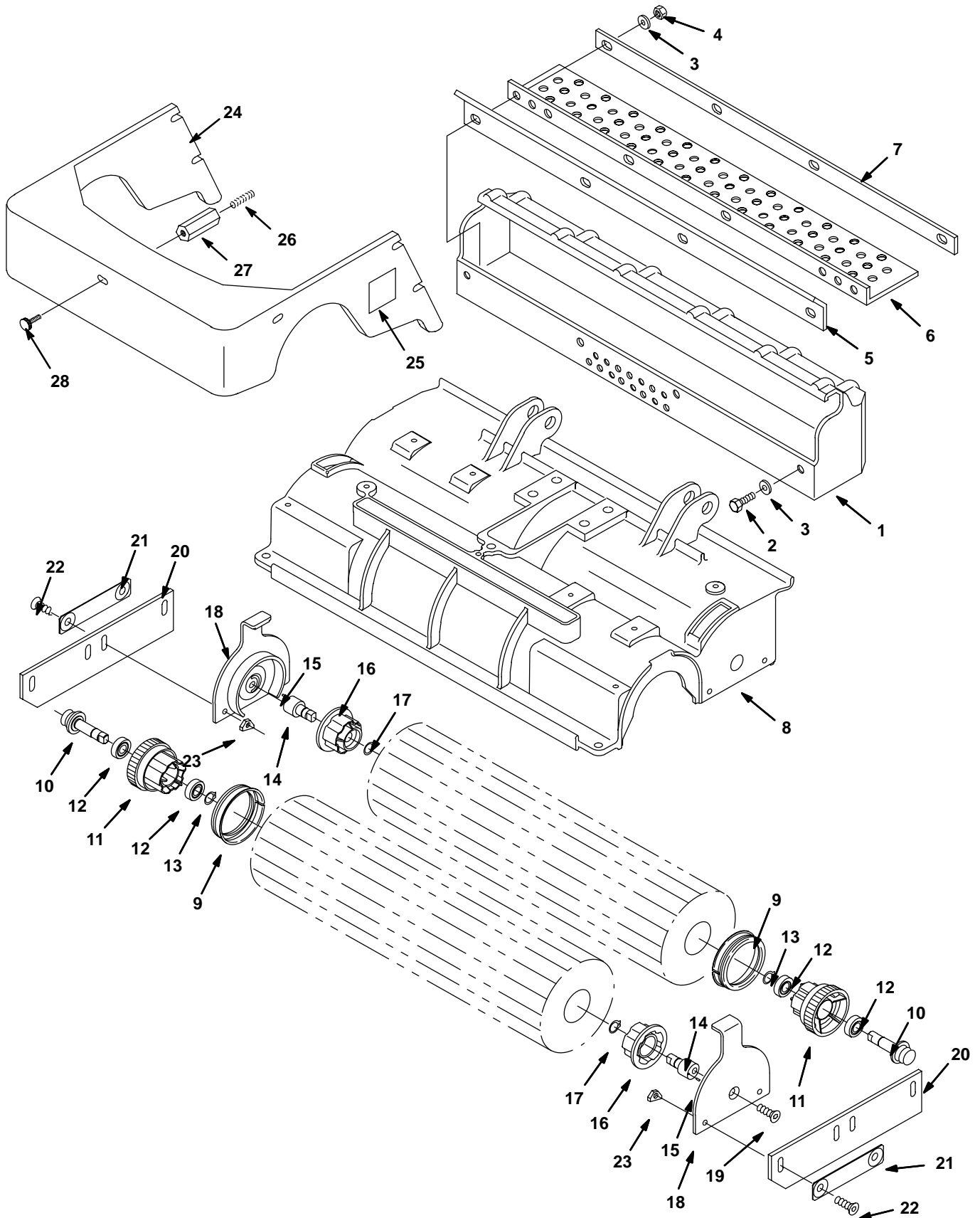
REF	PART #	DESCRIPTION	QTY.
▲ 33	222210	●PIN CLEVIS, .62 DIA X 2.12 L	2
▲ 34	15678	SCREW, M6X1X16 HEX	4
▲ 35	222182	●BAR, SUPPORT	4
▲ 36	79506	SCREW, M8X1.25X30 FLAT	8
▲ 37	223566	●BRACKET, SHIELD	2
▲ 38	223569	●GASKET, SHIELD	2
▲ 39	606569	BRACKET, T-FITTING, SCRUB-HEAD	1
▲ 40	222536	●TEE, FITTING, BARB	1
▲ 41	608176	●HOSE, REINFORCED 1/2ID	1
▲ 42	606674	●CONNECTOR, UNION .5X.5	1
▲ 43	200031488	SCREW M8X1.25X20 HXHDCP	1
▲ 44	200370019	WASHER, M8.4 LOCK	1
▲ 45	32491	WASHER, 5/16 FLAT	1
▲ 46	605050	SCREW, 3/8-16X2.75	1
▲ 47	140022	WASHER, 3/8 LOCK	1
▲ 48	140046	WASHER, 1.00X.392X0.90	1
▲ 49	00954	●KEY, SQUARE, .12X.12X1.0LG	2
▲ 50	630447	●WASHER, NYLON, 12.7, 25.4	2
▲ 51	200370019	WASHER, M8.4 LOCK	2
▲ 52	200662017	WASHER, LOCK, 6.4ID	4
▲ 53	140000	WASHER, 1/4 FLAT	4
▲ 54	3147	●NUT, HEAVY HEX JAM 5/8-11	1
▲ 55	606548	●STUD, ADJUSTER	1
▲ 56	200031499	SCREW, M8X1.25X40	1
▲ 57	140314	CLAMP, CABLE INSULATED 3/4ID	1
▲ 58	069767163	SPACER, 1X.75	1
▲ 59	578717	SCREW, M8X1.25X50	2
▲ 60	07786	NUT, M8 HEX	2
▲ 61	02942	●PIN, HAIR, CTR, .62D .12 WIRE	2
▲ 62	6306.4	WASHER, 1/4 FLAT	4
▲ 63	200370019	WASHER, M8.4 LOCK	4
▲ 64	32491	WASHER, 5/16 FLAT	2
▲ 65	604317	●ELBOW, 90° 1/2" ID	1
▲ 66	606225	●HOSE, 1/2" ID	1

∇ ASSEMBLY / CONJUNTO

▲ INCLUDED IN ASSEMBLY / INCLUIDO EN EL CONJUNTO

● RECOMMENDED STOCK ITEMS / ARTICULOS RECOMENDADOS PARA MANTENER EN EXISTENCIA

CYLINDRICAL BRUSH SCRUB HEAD GROUP, 610mm (24 in) - CONT.
GRUPO DEL CABEZAL DE FREGADO CON CEPILLO CILÍNDRICO



CYLINDRICAL BRUSH SCRUB HEAD GROUP, 610mm (24 in) - CONT.
GRUPO DEL CABEZAL DE FREGADO CON CEPILLO CILÍNDRICO

REF	PART #	DESCRIPTION	QTY.
∇	606760	KIT, SCRUBHEAD, CYL, (CONT.)	1
▲ 1	608167	HOPPER, DEBRIS, 610MM (24 IN)	1
▲ 2	09007	SCREW, M6X1X25 HXHDCP	4
▲ 3	140000	WASHER, 1/4 FLAT	8
▲ 4	08712	NUT, M6X1 NYLOCK	4
▲ 5	606657	LIP, HOPPER DEBRIS, 610MM (24 IN)	1
▲ 6	222669	SKIRT, HOPPER DEBRIS, 610MM (24 IN)	1
▲ 7	606656	STRIP, RETAINING, HOPPER, 610MM (24 IN)	1
▲ 8	606672	●SCRUBBER HEAD, CYLINDRICAL BRUSH 610 MM (24 IN)	1
▲ 9	222820	●SEAL, RING	2
▲∇	222751	●PLUG, DRIVE ASM	2
▲▲10	222176	●SHAFT, DRIVE PLUG	2
▲▲11	222062	●PLUG, BRUSH DRIVE	2
▲▲12	41360	●BEARING, BALL, 0.59B 1.26D 0.35W	4
▲▲13	01516	●RING, RETAIN, EX, 0.59OD,BASIC	2

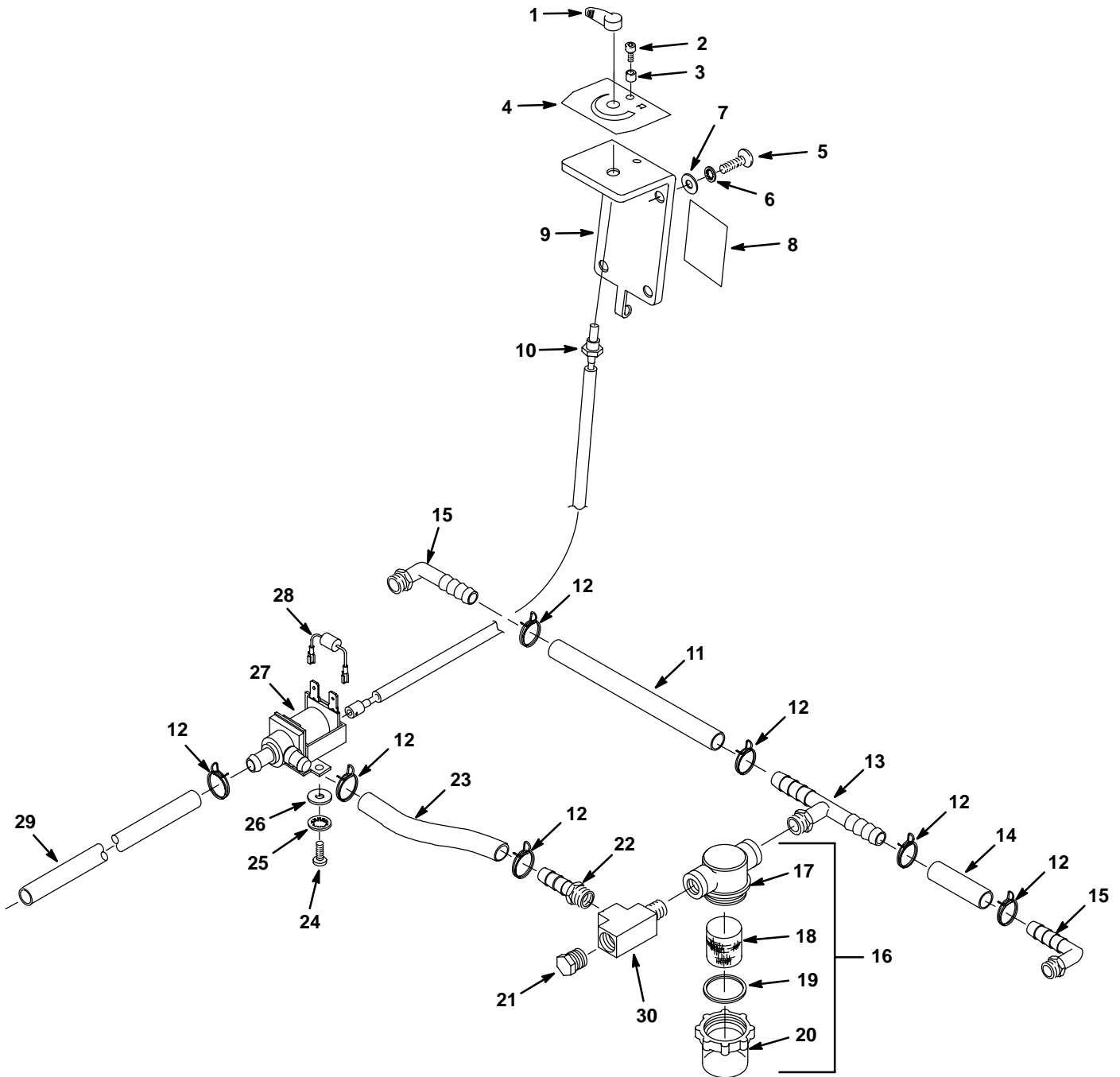
REF	PART #	DESCRIPTION	QTY.
▲∇	222752	●PLUG, IDLER ASM	2
▲▲14	222177	●SHAFT, IDLER PLUG	2
▲▲15	222184	●PIN, ROLL	2
▲▲16	379202	●PLUG, BRUSH	2
▲▲17	01516	●RING, RETAIN, EX,0.59OD	2
▲ 18	369460	●DOOR, BRUSH	2
▲ 19	390996	●SCREW, M10X1.5X20 FLAT	2
▲ 20	608473	●SKIRT, SCRUB HEAD, SIDE	2
▲ 21	222182	●BAR, SUPPORT	4
▲ 22	79506	●SCREW, M8X1.25X30 FLAT	8
▲ 23	607256	●NUT, RETAINER, SKIRT	4
▲ 24	607992	SHROUD, CYLINDRICAL BRUSH	1
▲ 25	578769	DECAL, MOVING PARTS	2
▲ 26	200251444	●SCREW, SET M6X30MM	1
▲ 27	608191	STANDOFF, SHROUD, SCRUB-HEAD	1
▲ 28	603012	KNOB, M6	7

∇ ASSEMBLY / CONJUNTO

▲ INCLUDED IN ASSEMBLY / INCLUIDO EN EL CONJUNTO

● RECOMMENDED STOCK ITEMS / ARTICULOS RECOMENDADOS PARA MANTENER EN EXISTENCIA

SOLUTION FLOW GROUP
GRUPO DE TUBERÍAS



SOLUTION FLOW GROUP
GRUPO DE TUBERÍAS

REF	PART #	DESCRIPTION	QTY.
1	630116	●KNOB, VALVE ADJUSTING	1
2	200001343	SCREW, M4X.7X12 SKHDCP	1
3	630452	SPACER, 4.3X8.0X5.0	1
4	630233	DECAL, FLOW CONTROL	1
5	608322	SCREW, M6X1.0X16 TRSPHL	4
6	578244000	WASHER, M6.4 LOCK	4
7	140000	WASHER, 1/4 FLAT	4
8	606105	DECAL, DO NOT SPRAY	1
9	606061	BRACKET, SOLUTION FLOW KNOB	1
10	606053	●CABLE, SOLUTION FLOW	1
069760726	069760725	HOSE, SOLUTION 0.75OD 8.9L	1
12	607776	CLAMP, HOSE .73-.77 WIRE BLK	4
13	605046	FITTING, TEE	1
069760725	069760726	HOSE, .50ID x 3.0IL	1
15	578039000	FITTING, 3/8MX1/2H ELBOW	2

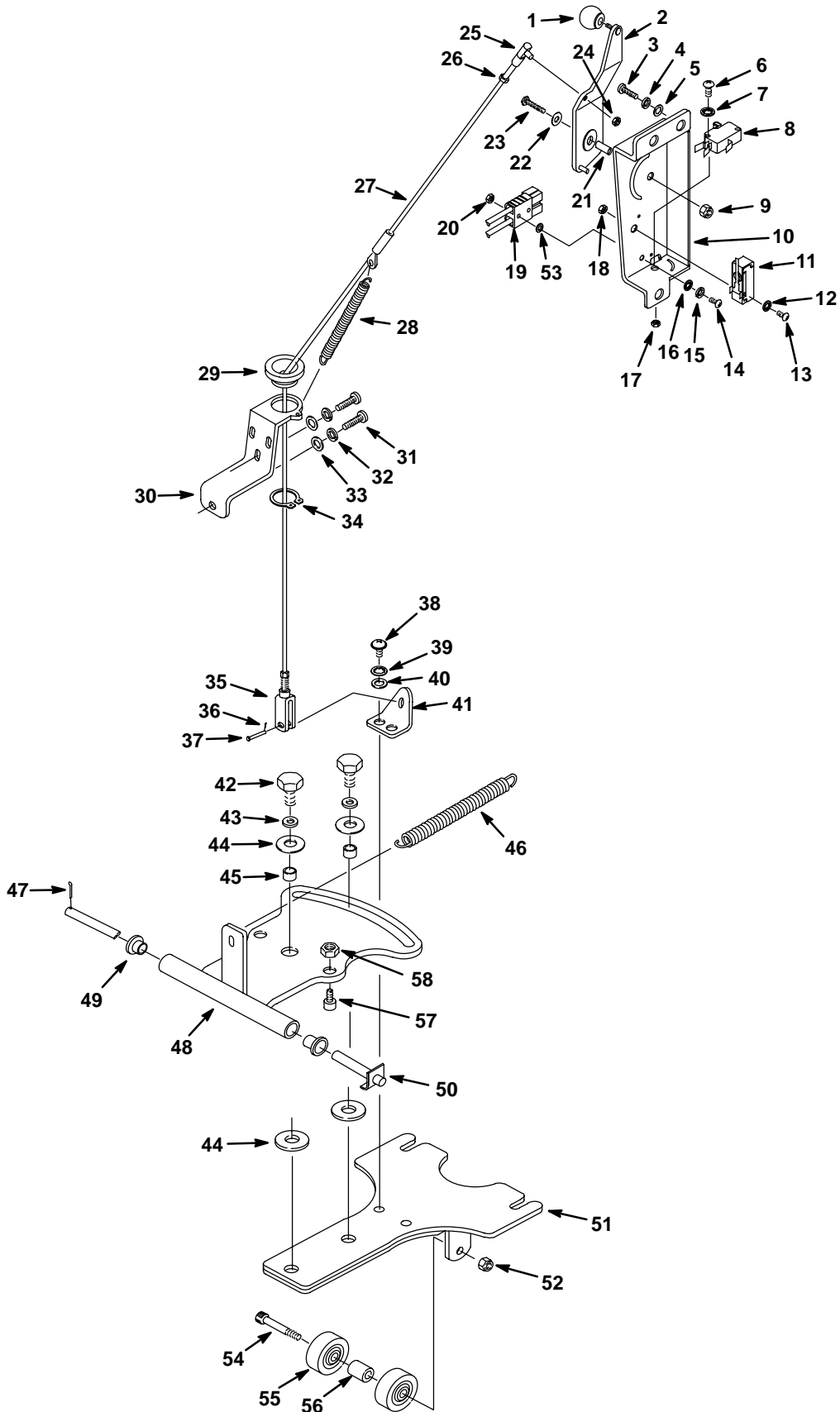
REF	PART #	DESCRIPTION	QTY.
▽ 16	1005302	●SCREEN, INLINE 80 MESH	1
▲ 17	613993	●BODY, TOP FILTER	1
▲ 18	1005304	●SCREEN, FILTER 80 MESH	1
▲ 19	613992	●GASKET, FILTER	1
▲ 20	613991	●BOWL, CLEAR FILTER	1
21	630146	PLUG, 3/8"NPT, NYLON	1
22	14884	FITTING, 3/8MX1/2H	1
23	069760725	HOSE, SOLUTION .50ID x 3.0IL	1
24	608322	SCREW, M6X1.0X16 TRSPHL	2
25	578244000	WASHER, M6.4 LOCK	2
26	140000	WASHER, 1/4 FLAT	2
27	603310	●VALVE, SOLENOID 24VDC	1
28	607394	ASM, DIODE	1
29	606887	HOSE, 1/2 ID X 20"	1
30	601483	TEE, STREET 3/8 NPT	1

▽ ASSEMBLY / CONJUNTO

▲ INCLUDED IN ASSEMBLY / INCLUIDO EN EL CONJUNTO

● RECOMMENDED STOCK ITEMS / ARTICULOS RECOMENDADOS PARA
MANTENER EN EXISTENCIA

SQUEEGEE CONTROL GROUP
GRUPO DE CONTROL DE LA ESCOBILLA DE GOMA



SQUEEGEE CONTROL GROUP
GRUPO DE CONTROL DE LA ESCOBILLA DE GOMA

REF	PART #	DESCRIPTION	QTY.
1	601425	●KNOB, SQUEEGEE LEVER	1
2	612835	LEVER, SQUEEGEE	1
3	200031488	SCREW M8X1.25X20 HXHDCP	3
4	200370019	WASHER, M8.4 LOCK	3
5	32491	WASHER, 5/16 FLAT	3
6	579213	SCREW, M3X.5X20 HXHDCP	2
7	601127000	WASHER, M3.7 FLAT	2
8	600437	●SWITCH, ROLLER 15A	1
9	08709	NUT, M8 HXLCK	1
10	612834	BRACKET, SQUEEGEE LEVER	1
11	398525	●SWITCH, SNAP, 25A, LEVER	1
12	140026	WASHER, #6 FLAT	2
13	140829	SCREW, #6-32X1 PANPHL	2
14	140829	SCREW, #6-32X1 PANPHL	2
15	140026	WASHER, #6 FLAT	2
16	140019	WASHER, #6 LOCK	2
17	579211	NUT, M3	2
18	140066	NUT, #6-32	2
19	605387	●CONNECTOR, RED 50A W/O CONTACTS	1
20	140066	NUT, #6-32	2
21	069760417	●SLEEVE	1
22	25732	WASHER, 1.25X.359X.093 FLAT	1
23	200031494	SCREW, M8X1.25X30 HXHD	1
24	13513	NUT, 1/4-28 HEXLCK	1
25	069760371	●BALL JOINT	1
26	607953	NUT, 1/4-28 HEX JAM	1
27	605051	●CABLE, SQUEEGEE LIFT	1
28	605063	●SPRING, SQUEEGEE LEVER	1
29	621235	●BUSHING, CABLE	1

REF	PART #	DESCRIPTION	QTY.
30	606012	BRACKET, CABLE GUIDE	1
31	608322	SCREW, M6X1.0X16 TRSPHL	3
32	578244000	WASHER, M6.4 LOCK	3
33	140000	WASHER, 1/4 FLAT	3
34	621236000	●RING, RETAINING	1
35	605068	●YOKE, ADJUSTMENT	1
36	08170	●PIN, COTTER	1
37	605070	●PIN, CLEVIS	1
38	608322	SCREW, M6X1.0X16 TRSPHL	2
39	578244000	WASHER, M6.4 LOCK	2
40	140000	WASHER, 1/4 FLAT	2
41	605066	BRACKET, SQUEEGEE CABLE	1
42	140237	SCREW, 1/2-13X1 HXHDCP	2
43	140024	WASHER, 1/2 LOCK	2
44	140045	WASHER, .510X1.25X.06 FLT	4
45	140139	BUSHING, BRUSH LIFT PEDAL	2
46	140423	●SPRING, BRUSH PRESSURE	1
47	578421	PIN, COTTER	1
▽ 48	610206	BRACKET, SQUEEGEE PIVOT	1
▲ 49	606058	●BEARING, FLANGE	2
50	606057	PIN, HEADLESS	1
51	610205	BRACKET, SQUEEGEE MOUNT	1
52	601108000	NUT, 5/16-18 HXLCK	1
53	140011	WASHER, 3/16 FLAT	2
54	603144	SCREW, SHOULDER	1
55	630477	●WHEEL	2
56	603368	●SPACER	1
57	607010	*SCREW, M10X1.5X20 SHCS	2
58	200160018	*NUT, M10 HEXLCK	2

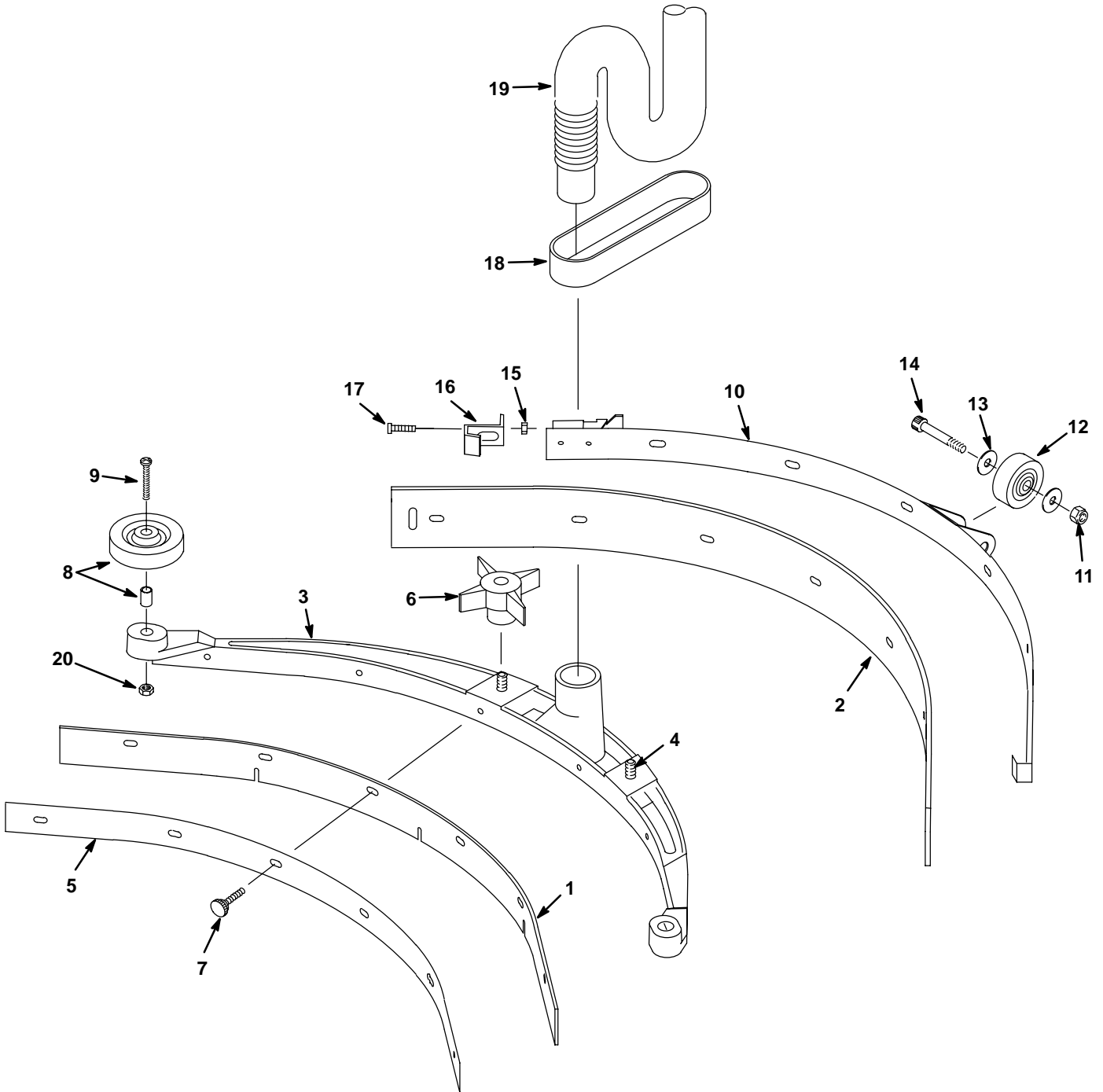
▽ ASSEMBLY / CONJUNTO

▲ INCLUDED IN ASSEMBLY / INCLUIDO EN EL CONJUNTO

● RECOMMENDED STOCK ITEMS / ARTICULOS RECOMENDADOS PARA
MANTENER EN EXISTENCIA

* HARDWARE REQUIRED FOR CYLINDRICAL BRUSH MODEL ONLY.

SQUEEGEE ASSEMBLY GROUP – STD. WIDTH, 838mm (33 in)
CONJUNTO PALETA



SQUEEGEE ASSEMBLY GROUP – STD. WIDTH, 838mm (33 in)
CONJUNTO PALETA

REF	PART #	DESCRIPTION	QTY.
∇	612025	ASSEMBLY, SQUEEGEE, LINATEX	1
▲∇	606758	●KIT, SQUEEGEE BLADES, LINATEX	1
▲ 1	605030	●BLADE, FRONT SQUEEGEE, LINATEX (RED)	1
▲ 2	605029	●BLADE, REAR SQUEEGEE, LINATEX (RED)	1
∇	613036	ASSEMBLY, SQUEEGEE, GUM RUBBER	1
▲∇	606757	●KIT, SQUEEGEE BLADES, GUM RUBBER	1
▲ 1	605028	●BLADE, FRONT SQUEEGEE, GUM RUBBER (TAN)	1
▲ 2	605027	●BLADE, REAR SQUEEGEE, GUM RUBBER (TAN)	1
∇	606743	ASSEMBLY, SQUEEGEE, URETHANE	1
▲∇	606759	●KIT, SQUEEGEE BLADES, URETHANE	1
▲ 1	605032	●BLADE, FRONT SQUEEGEE, URETHANE (WHITE)	1
▲ 2	605031	●BLADE, REAR SQUEEGEE, URETHANE (WHITE)	1

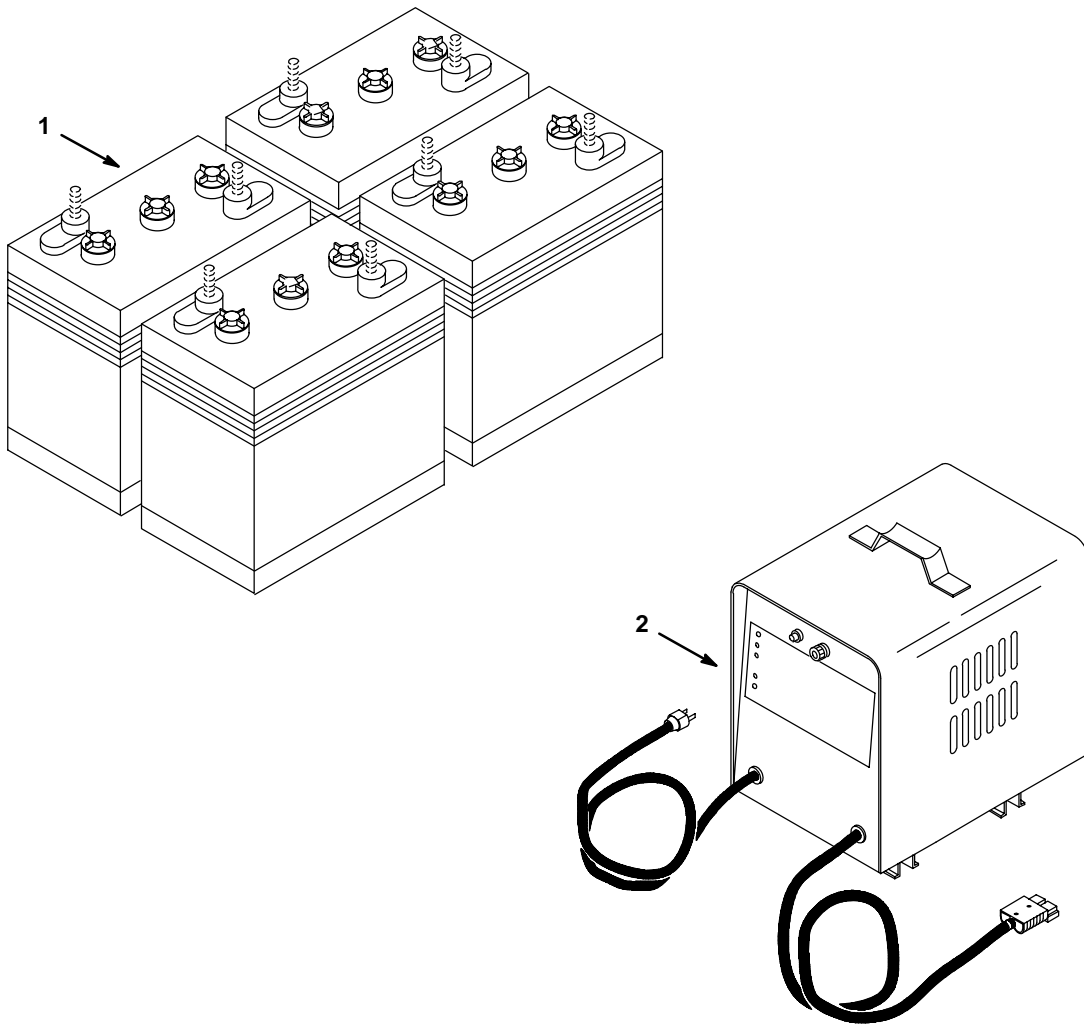
REF	PART #	DESCRIPTION	QTY.
▲ 3	611462	CASTING, SQUEEGEE	1
▲ 4	140799	SCREW, 5/16–18X1–1/2 TRSPHL	2
▲ 5	605034	RETAINER, FRONT STRIP	1
▲ 6	370100	●KNOB, 5/16	2
▲ 7	603012	●KNOB, FRONT SQUEEGEE	6
▲ 8	630450	WHEEL, 76 DIA X 22	2
▲ 9	611489	SCREW, 5/16–18X1–7/8	2
▲ 10	605033	SQUEEGEE, BAND ASM REAR	1
▲ 11	601108000	NUT, 5/16–18 HXLCK	1
▲ 12	630477	●WHEEL	1
▲ 13	140028	WASHER, 3/8 FLAT	2
▲ 14	600187	SCREW, SHOULDER, 3/8 X 1 1/4	1
▲ 15	09739	NUT, M5X.8 NYLOCK	1
▲ 16	605069	CLIP, SQUEEGEE BAND	1
▲ 17	630389	SCREW, M5 7/8X45 PANPHL	1
18	630333	●STRAP, SQUEEGEE HOSE	1
19	605041	●HOSE, SQUEEGEE	1
▲ 20	140506	NUT, 5/16–18	2

∇ ASSEMBLY / CONJUNTO

▲ INCLUDED IN ASSEMBLY / INCLUIDO EN EL CONJUNTO

● RECOMMENDED STOCK ITEMS / ARTICULOS RECOMENDADOS PARA MANTENER EN EXISTENCIA

BATTERY AND CHARGER GROUP
CONJUNTO DE BATERÍA Y CARGADOR



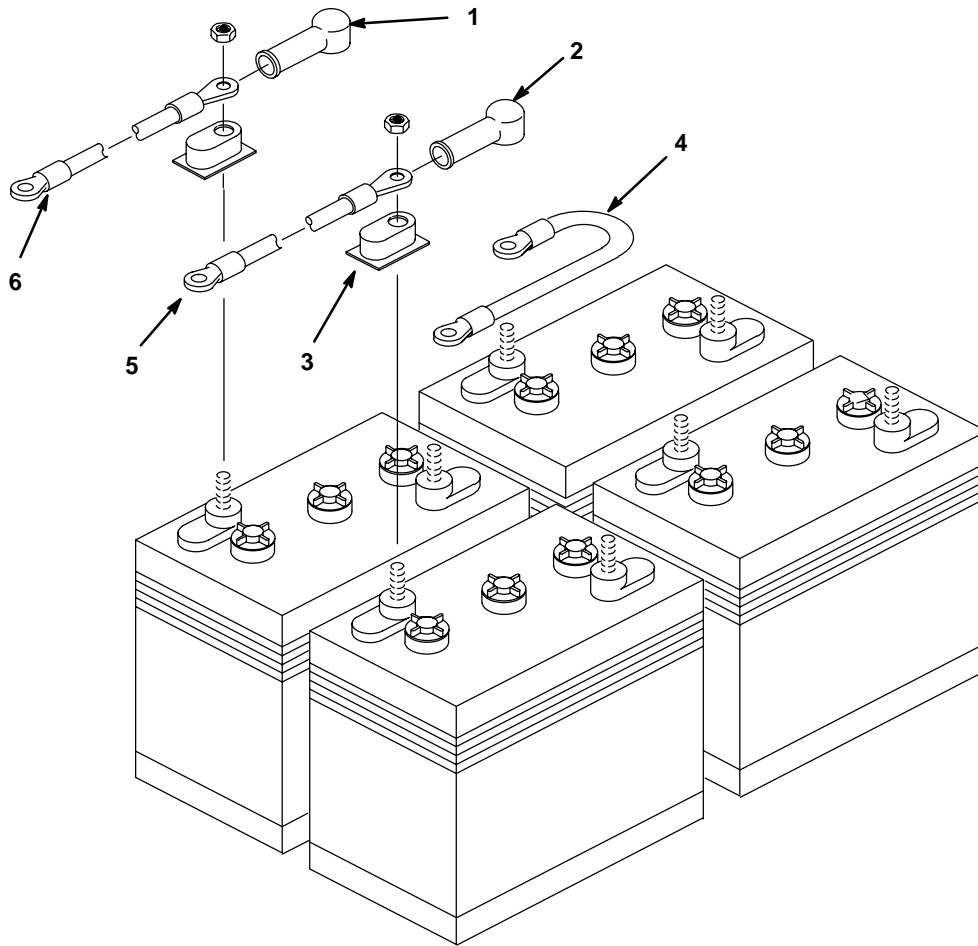
REF	PART #	DESCRIPTION	QTY.
▽ 1	606897	BATTERY KIT (SET OF 4)	1
▲	222280	BATTERY, 6V, RESCAP, 129 WET	4

REF	PART #	DESCRIPTION	QTY.
2	603235	CHARGER, 24DC, 20A, 120AC	1

▽ ASSEMBLY / CONJUNTO

▲ INCLUDED IN ASSEMBLY / INCLUIDO EN EL CONJUNTO

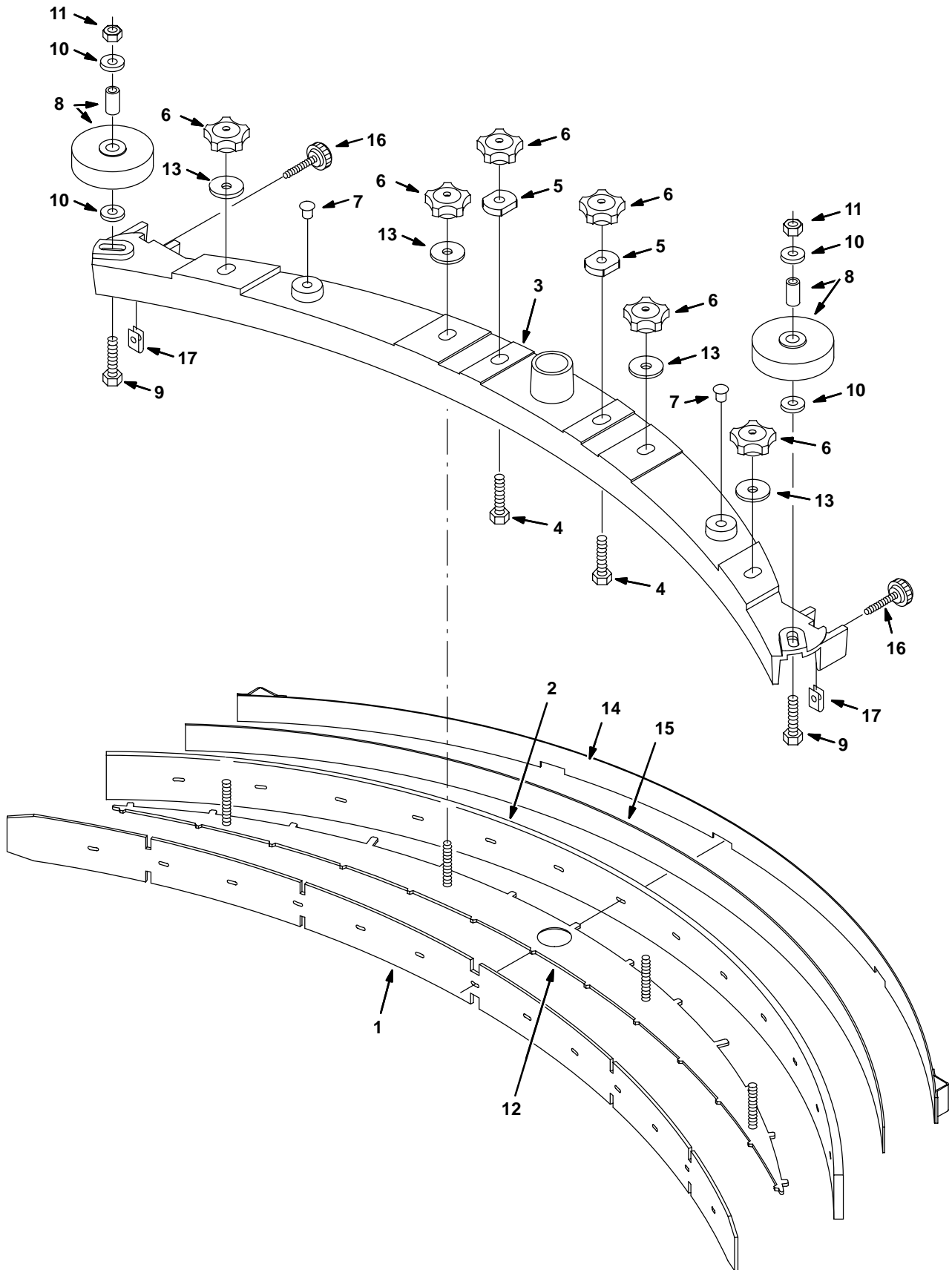
BATTERY CABLE GROUP
GRUPO CABLE DE LA BATERÍA



REF	PART #	DESCRIPTION	QTY.
1	611221	TERMINAL BOOT, BLACK	4
2	611222	TERMINAL BOOT, RED	4
3	45962	COVER, TERMINAL	8

REF	PART #	DESCRIPTION	QTY.
4	130364	CABLE, BATT. #6 BLKX15" 5/16X3/8	3
5	602872	CABLE, BATT. REDX28"	1
6	602871	CABLE, BATT. BLKX24"	1

SQUEEGEE ASSEMBLY GROUP – EXTRA WIDE, 940mm (37 in)
CONJUNTO PALETA



**SQUEEGEE ASSEMBLY GROUP – EXTRA WIDE, 940mm (37 in)
CONJUNTO PALETA**

REF	PART #	DESCRIPTION	QTY.
▽	609154	ASSEMBLY, SQUEEGEE, EX-WIDE, LINATEX & GUM RUBBER	1
▲▽	609114	●KIT, SQUEEGEE BLADES, LINATEX & GUM RUBBER	1
▲ 1	222381	●BLADE, FRONT SQUEEGEE, 28" LINATEX (RED)	1
▲ 2	609056	●BLADE, REAR SQUEEGEE EX-WIDE GUM RUBBER (TAN)	1
▽	609155	ASSEMBLY, SQUEEGEE, EX-WIDE, LINATEX	1
▲▽	609115	●KIT, SQUEEGEE BLADES, LINATEX	1
▲ 1	222381	●BLADE, FRONT SQUEEGEE, 28" LINATEX (RED)	1
▲ 2	609055	●BLADE, REAR SQUEEGEE EX-WIDE LINATEX (RED)	1
▽	609156	ASSEMBLY, SQUEEGEE, EX-WIDE, URETHANE	1
▲▽	609116	●KIT, SQUEEGEE BLADES, URETHANE	1
▲ 1	222391	●BLADE, FRONT SQUEEGEE 28" URETHANE (WHITE)	1
▲ 2	609057	●BLADE, REAR SQUEEGEE EX-WIDE URETHANE (WHITE)	1
1	222385	●BLADE, FRONT SQUEEGEE 28" GUM RUBBER (TAN) (FOR GROUTED TILE FLOOR)	1

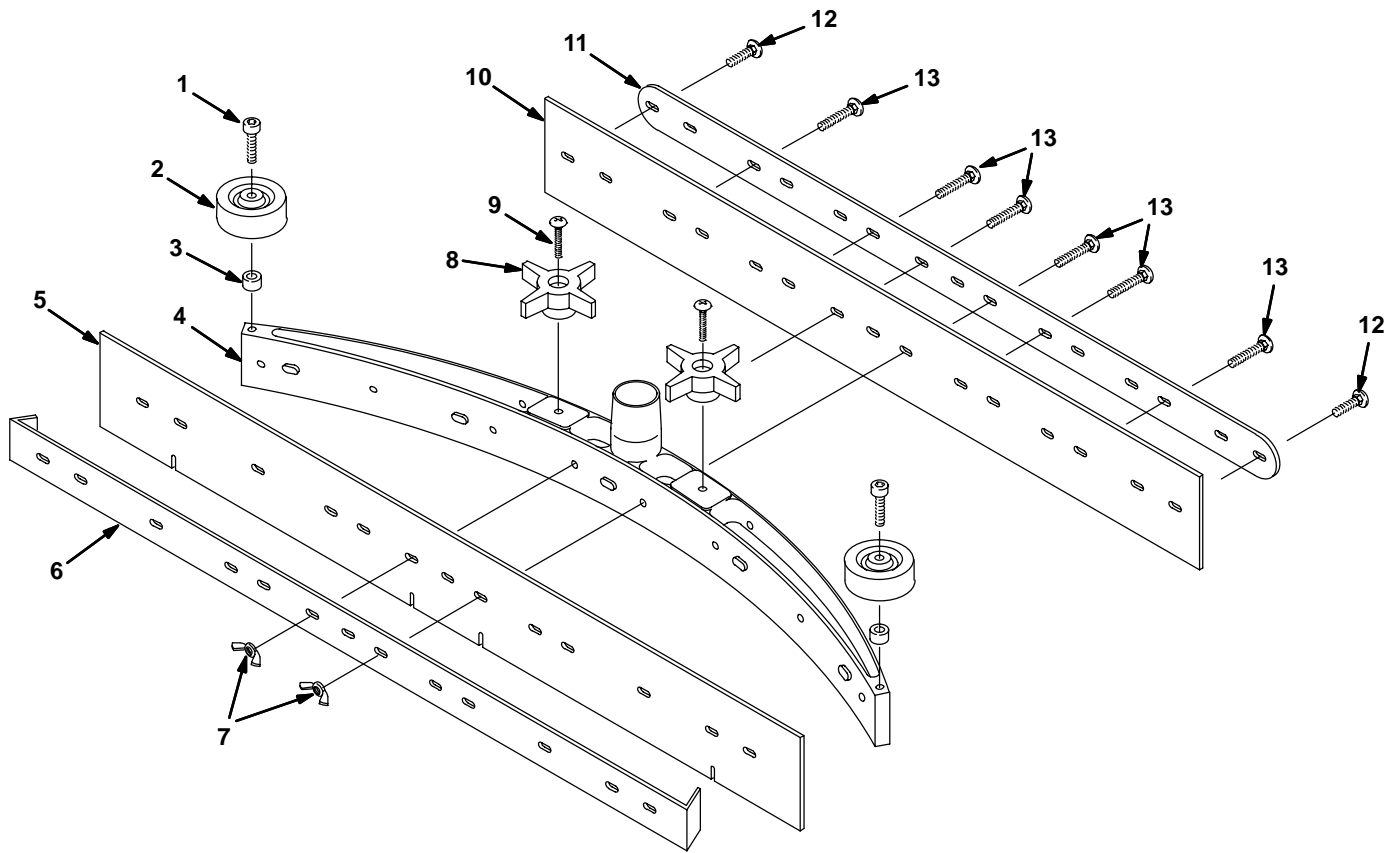
REF	PART #	DESCRIPTION	QTY.
▲ 3	609031	CASTING, SQUEEGEE EX-WIDE	1
▲ 4	140799	SCREW, 5/16-18X1-1/2 TRSPHL	2
▲ 5	608889	SPACER, SQUEEGEE 28"	2
▲ 6	605361	●KNOB, 5/16-18	6
▲ 7	130164	PLUG, DOME 3/8"	2
▲ 8	630450	WHEEL, 76 DIA X 22	2
▲ 9	222505	SCREW, M8X1.25X45 HEXHD	2
▲ 10	140027	WASHER, 5/16 FLAT	4
▲ 11	08709	NUT, M8	2
▲ 12	222368	PLATE, BLADE RETAINER 28"	1
▲ 13	140055	WASHER, .343X1.25X.051-.080	4
▲ 14	222378	BAND WELDMENT, SQUEEGEE BLADE 28"	1
▲ 15	609110	SPACER, SQUEEGEE EX-WIDE	1
▲ 16	222794	●KNOB, 1/4-20X1-1/2	2
▲ 17	82138	NUT, SPEED RETAINER .25-20	2

▽ ASSEMBLY / CONJUNTO

▲ INCLUDED IN ASSEMBLY / INCLUIDO EN EL CONJUNTO

● RECOMMENDED STOCK ITEMS / ARTICULOS RECOMENDADOS PARA MANTENER EN EXISTENCIA

SQUEEGEE ASSEMBLY GROUP – NARROW AISLE, 736mm (29 in)
CONJUNTO PALETA



**SQUEEGEE ASSEMBLY GROUP – NARROW AISLE, 736mm (29 in)
CONJUNTO PALETA**

REF	PART #	DESCRIPTION	QTY.
▽	612811	●KIT, SQG., ASM., NARROW AISLE	1
▲ 1	140239	SCREW, SHLD, .375DIAX1.75	2
▲ 2	630477	●WHEEL, 2.0DX0.38W POLY GRAY	2
▲ 3	603368	SPACER, .39X.75X.75 NYLON	2
▲ 4	613015	CASTING, SQG NARROW AISLE	1
▲ 5	613013	●BLADE, SQG. FRT LINETEX	1
▲ 6	613011	STRIP, RETAINER FRONT	1

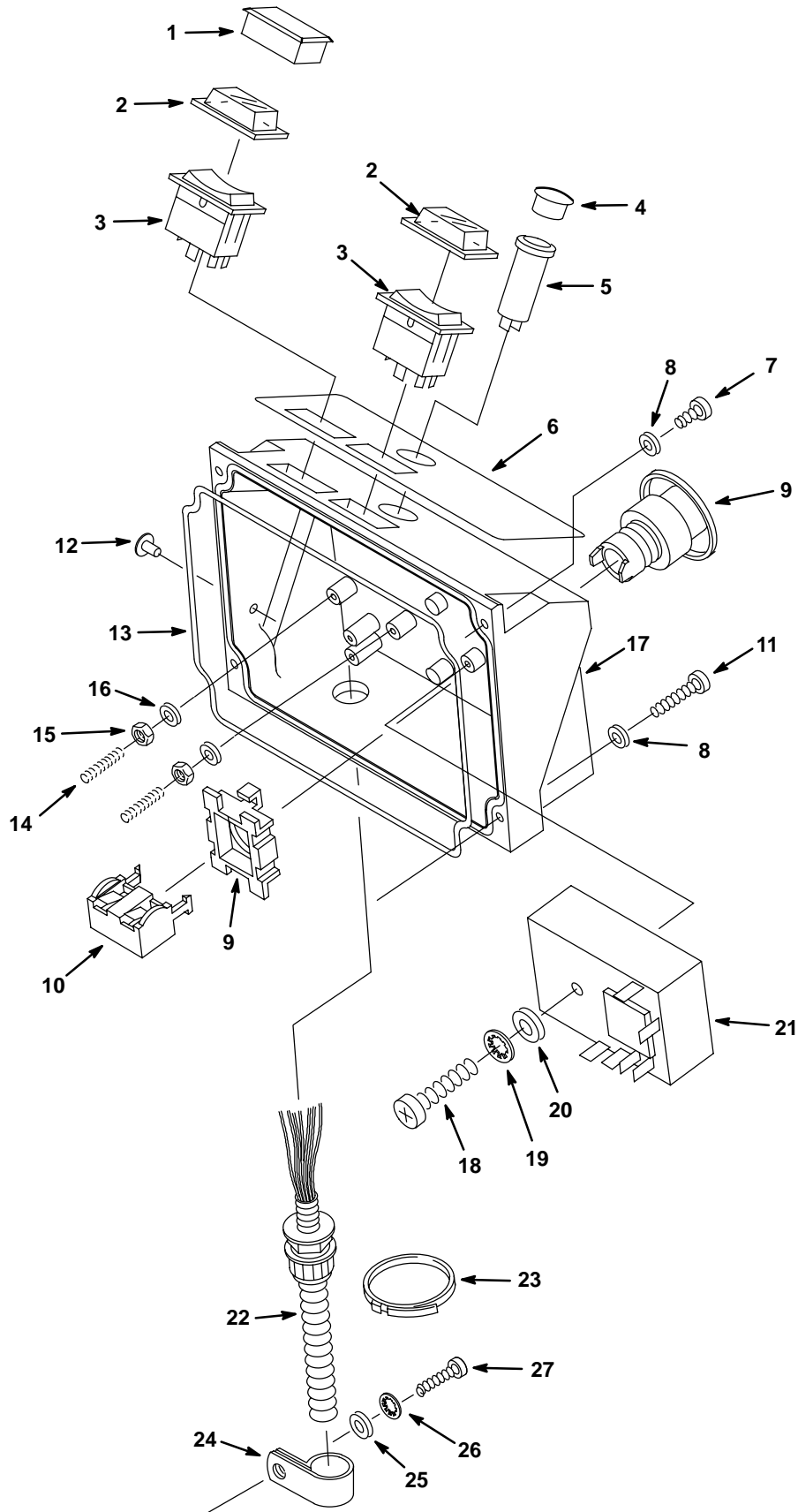
REF	PART #	DESCRIPTION	QTY.
▲ 7	140536	NUT, WING .25-20	8
▲ 8	370100	●KNOB, STAR 2.8 4 EAR PLSTC	2
▲ 9	140799	SCREW, TRS, .31-18X1.50, PHL	2
▲ 10	613012	●BLADE, SQG. REAR LINETEX	1
▲ 11	613014	STRIP, RETAINER REAR	1
▲ 12	612185000	BOLT, CARRIAGE, .25-20X2.00	2
▲ 13	612186000	BOLT, CARRIAGE, .25-20X2.50	6

▽ ASSEMBLY / CONJUNTO

▲ INCLUDED IN ASSEMBLY / INCLUIDO EN EL CONJUNTO

● RECOMMENDED STOCK ITEMS / ARTICULOS RECOMENDADOS PARA
MANTENER EN EXISTENCIA

ACCESSORY CONSOLE GROUP
GRUPO DE ACCESORIOS DE LA CONSOLA



**ACCESSORY CONSOLE GROUP
GRUPO DE ACCESORIOS DE LA CONSOLA**

REF	PART #	DESCRIPTION	QTY.
	606762	●KIT, EMERGENCY STOP	1
	606763*	●KIT, ES™/EMERGENCY STOP	1
	606764*	●KIT, EMERGENCY STOP/WAND PUMP	1
	606765*	●KIT, ES™/WAND PUMP/EMERG. STOP	1
	609099*	●KIT, WAND PUMP ADD-ON	1
1	582150	●PLUG, ACCESSORY SWITCH	1
2	578720	●SPLASHGUARD, ROCKER SWITCH	2
3	630419	●SWITCH, ROCKER, SPST, 24VDC	2
4	069764626	●PLUG	1
5	630142	●LIGHT, PILOT, 24V	1
6	606522	DECAL, ES™/WAND CONSOLE	1
7	140287	SCREW, M4X.7X16 PANPHL	2
8	140023	WASHER, #8 LOCK	4
9	630100	●SWITCH, PUSHBUTTON E-STOP	1
10	630097	●SWITCH, CONTACT BLOCK	1
11	200070354	SCREW, M4X.7X30 PANPHL	2
12	578852	RIVET, SNAP	1

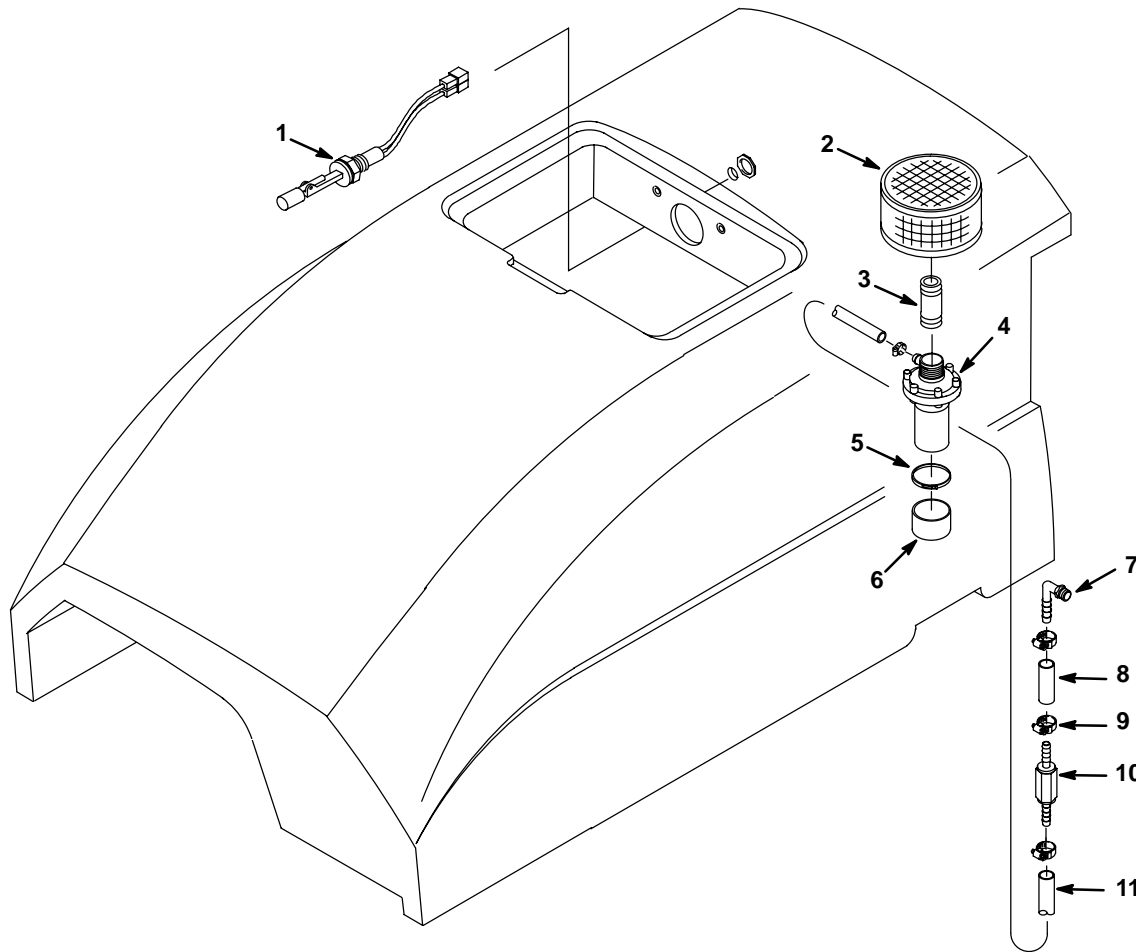
REF	PART #	DESCRIPTION	QTY.
13	630442	O-RING	1
14	601271	SCREW, M4X.7X25	2
15	200102014	NUT, M4X.7	2
16	140023	WASHER, #8 LOCK	2
17	630140	CONSOLE, OPTIONS	1
18	630334	SCREW, #6X1-3/8 PANPHL	1
19	140023	WASHER, #8 LOCK	1
20	140026	WASHER, #6 FLAT	1
21	630145	●TIMER, 24VDC RANGE: 30SEC	1
22	606736	HARNESS, ES™ WIRE	1
23	130773	WIRE TIE, 6/64 X 11" BLACK	1
24	606727	CLAMP, 5/8 DIA	1
25	200301014	WASHER, M4.3 FLAT	1
26	140023	WASHER, #8 LOCK	1
27	579259	SCREW, M4X.7X12 PANPHL	1
N/S	606734	HARNESS, E-STOP WIRE	1
N/S	606735	HARNESS, WAND PUMP WIRE	1
N/S	606736	HARNESS, ES™ PUMP	1

● RECOMMENDED STOCK ITEMS / ARTICULOS RECOMENDADOS PARA MANTENER EN EXISTENCIA

* NOT AVAILABLE FOR FaST™ MODELS / NO DISPONIBLE PARA LOS MODELOS DE FAST™

N/S NOT SHOWN / NO ESTÁ ILUSTRADO

ES™ SOLUTION GROUP
ES™ GRUPO DE LA SOLUCIÓN

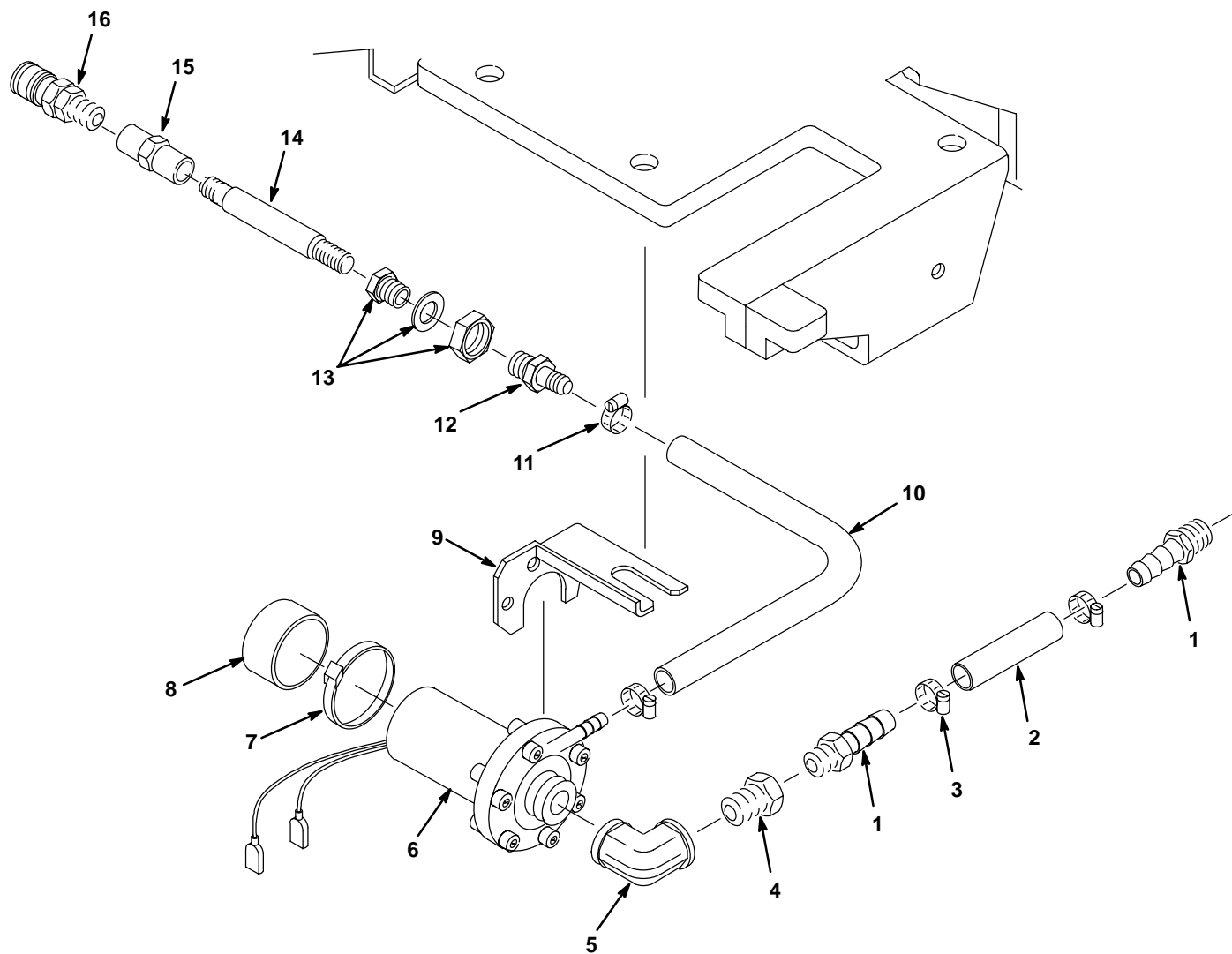


REF	PART #	DESCRIPTION	QTY.
1	603166	●SWITCH, LIQUID LEVEL	1
2	630138	●FILTER, SCREEN 100 MESH	1
3	605065	NIPPLE, PVC 3/4 NPT X 3"	1
4	630136	●PUMP, 24VDC	1
5	130041	WIRE TIE, NYLON 11-1/2 X .19	1
6	605064	●CAP, VINYL BLACK 1.375 DIA	1

REF	PART #	DESCRIPTION	QTY.
7	150412	FITTING, 3/8MX3/8	1
8	630439	HOSE, 2.5"	1
9	54333	CLAMP, HOSE	4
10	210044	●VALVE, CHECK 3/8 X 3/8	1
11	607102	TUBING, 5/8ODX3/8IDX2.5FT	1

● RECOMMENDED STOCK ITEMS / ARTICULOS RECOMENDADOS PARA
MANTENER EN EXISTENCIA

WAND SOLUTION GROUP
GRUPO DE TUBERÍAS DEL TUBO



REF	PART #	DESCRIPTION	QTY.
1	150538	FITTING, 3/8MX3/8H	2
2	606363	HOSE, 3/8ID X 13"	1
3	54333	CLAMP, HOSE	2
4	630252	FITTING, 3/4MX3/8	1
5	630251	FITTING, ELBOW, 90	1
6	630136	●PUMP, WAND 24VDC	1
7	130041	WIRE TIE, NYLON 11-1/2 X .19	1
8	605064	●CAP, VINYL BLACK 1.375 DIA	1

REF	PART #	DESCRIPTION	QTY.
9	606104	BRACKET, WAND PUMP	1
10	607103	TUBING, 5/8ODX3/8IDX1.25FT	1
11	54333	CLAMP, HOSE	2
12	150516	FITTING, 1/4MX3/8	1
13	150300	CONNECTOR, ANCHOR 1/4	1
14	579214	NIPPLE, .25 X 2.5" BRASS	1
15	150302	FITTING, 1/4FX1/4F, COUPLNG	1
16	608292	●QUICK CONN, FEMALE, 3/8"X1/4"	1

● RECOMMENDED STOCK ITEMS / ARTICULOS RECOMENDADOS PARA
MANTENER EN EXISTENCIA

**HARD FLOOR WAND ASSEMBLY
CONJUNTO DEL TUBO PARA SUELOS DUROS**

REF	PART #	DESCRIPTION	QTY.
▽	65340	●ASM., WAND, DOUBLE BEND	1
▲ 1	578060000	WAND, DOUBLE BEND, 38.1MM	1
▲ 2	578077000	BRACKET, VALVE MNT, WAND	1
▲ 3	578061000	ADAPTER, HEAD/WAND	2
▲ 4	578214000	FITTING, 1/8M X 1/4H ELBOW 90	1
▲ 5	579112	ADAPTER, SPRAY NOZZLE	1
▲ 6	602036000	RIVET, POP	2
▲ 7	578066000	●SPRAY NOZZLE, .125" NPT, 75°	1
▲ 8	65610	●BRUSH, DECK POLYPRO BLOCK	1
▲ 9	578063000	HEAD, WAND	1
▲ 10	578078000	RETAINER, SQUEEGEE WAND	2
▲ 11	578074000	●BLADE, SQUEEGEE WAND	2
▲ 12	578124000	BRACKET, AXLE 1-HOLE	1
▲ 13	578439	NUT, THUMB M06 X DIA 30MM	1
▲ 14	613732	SPRING, CONICAL COMP 15MM	1

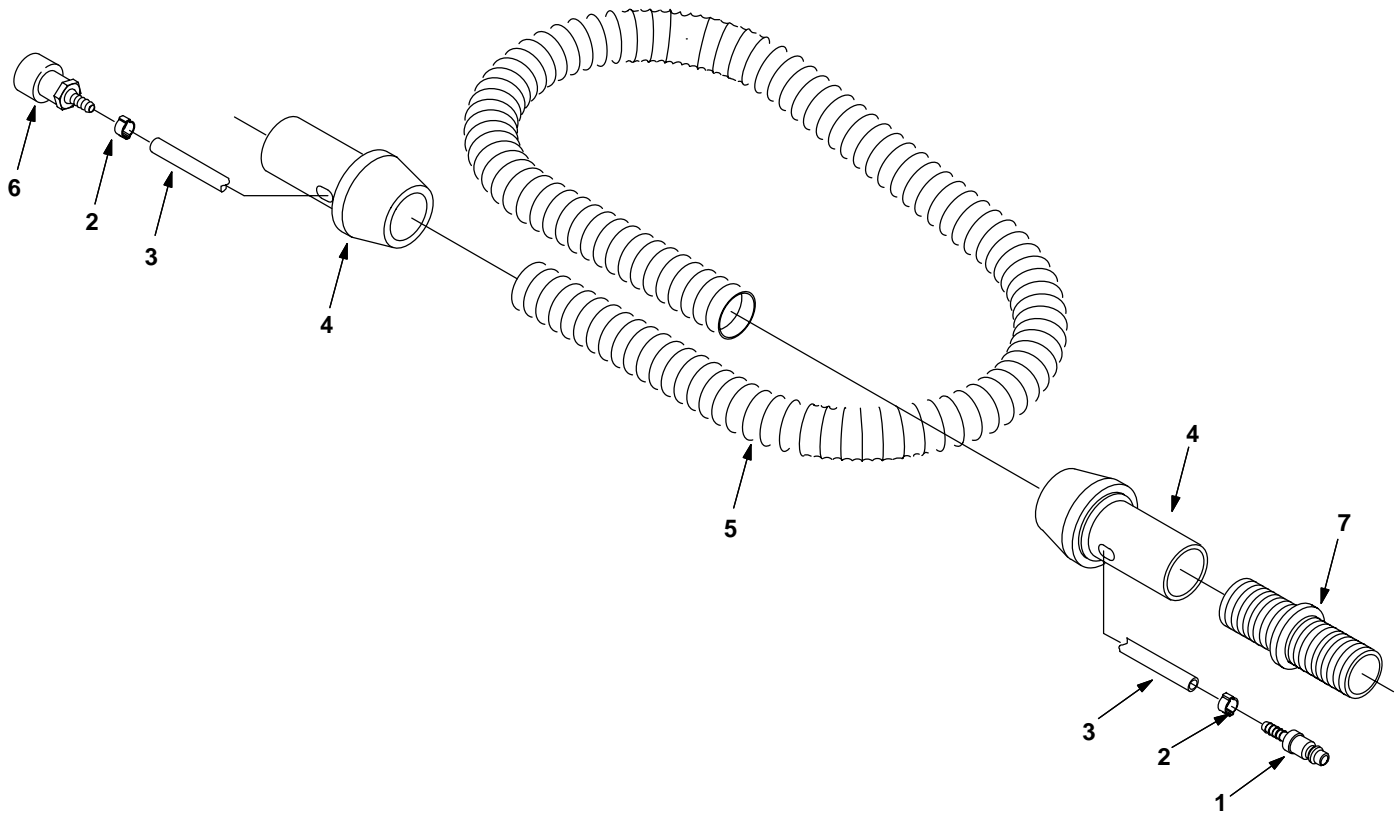
REF	PART #	DESCRIPTION	QTY.
▲ 15	578143000	SCREW, M6X1.0X40 SET	1
▲ 16	578126000	AXLE, WAND	1
▲ 17	578125000	●WHEEL, GUIDE WAND	2
▲ 18	578123000	BRACKET, AXLE 3-HOLE	1
▲ 19	578155000	HANDLE, WAND	1
▲ 20	578154000	BRACKET, HANDLE WAND	1
▲ 21	578091000	●PLUG, M QUICK-CONN 1/4"NPT	1
▲ 22	578164000	GROMMET, .38"ID. .62"OD, .06"OW	1
▲ 23	578821000	●HOSE, SOLUTION WAND	1
▲ 24	578161000	CLAMP, HOSE 8-11MM CRIMP	1
▲ 25	578094000	FITTING, 1/4H X 1/4NPT	1
▲ 26	578064000	●VALVE, WATER CONTROL WAND	1
▲ 27	150208	PLUG, SCKT HD 1/8"	1
28	65582	●BRUSH, WAND AB	1

▽ ASSEMBLY / CONJUNTO

▲ INCLUDED IN ASSEMBLY / INCLUIDO EN EL CONJUNTO

● RECOMMENDED STOCK ITEMS / ARTICULOS RECOMENDADOS PARA
MANTENER EN EXISTENCIA

**HOSE ASSEMBLY
CONJUNTO DE LA MANGUERA**



REF	PART #	DESCRIPTION	QTY.
▽	65341	●ASM., POWER WAND HOSE	1
▲ 1	578318	●FITTING, QUICK CONCT MALE	1
▲ 2	578160	CLAMP, HOSE 11-13MM	1
▲ 3	578820	●HOSE, .25ID, .44OD, 4.0M LG	1
▲ 4	578072	●CUFF, SWIVEL, 38.1DIA BLK	2

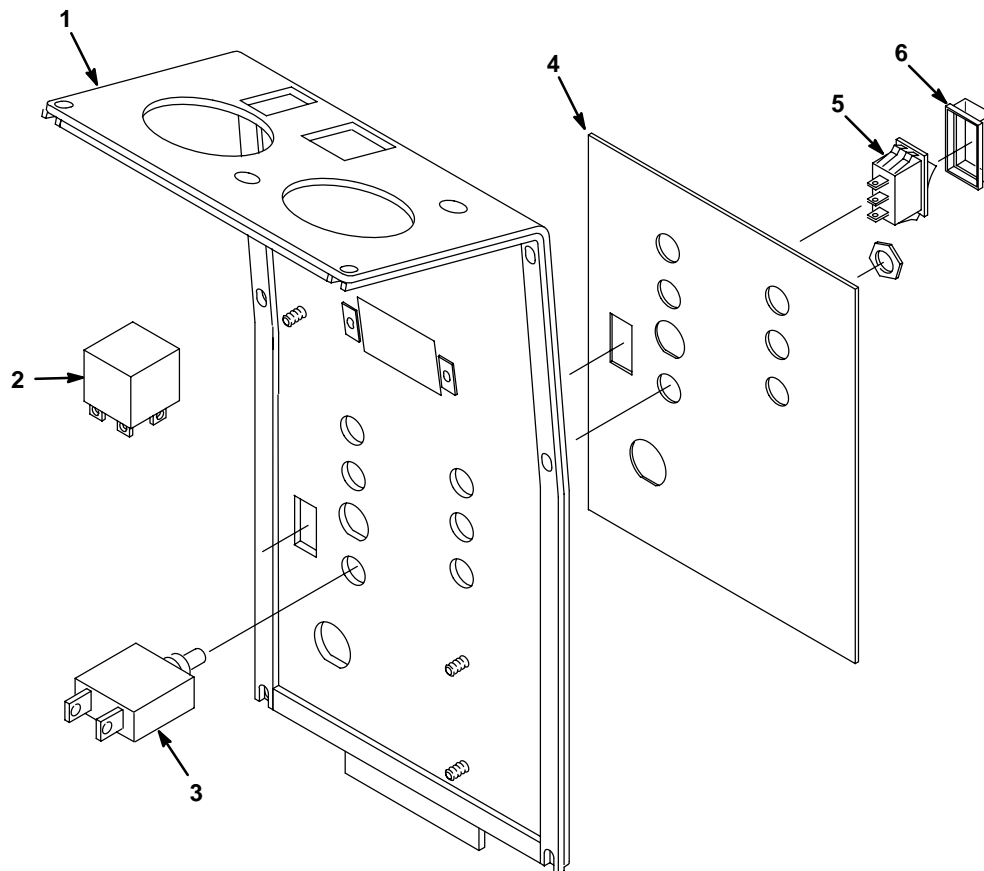
REF	PART #	DESCRIPTION	QTY.
▲ 5	578276	●HOSE, VACUUM, 38.1DX3.05M GRAY	1
▲ 6	578071	●CONNECTOR, QUICK CONCT FM	1
7	12694	FITTING, PLASTIC	1

▽ ASSEMBLY / CONJUNTO

▲ INCLUDED IN ASSEMBLY / INCLUIDO EN EL CONJUNTO

● RECOMMENDED STOCK ITEMS / ARTICULOS RECOMENDADOS PARA MANTENER EN EXISTENCIA

FaST™ CONSOLE PANEL GROUP
FaST™ GRUPO DEL PANEL DE LA CONSOLA



REF	PART #	DESCRIPTION	QTY.
1	605044	PANEL, SWITCH	1
2	49309	●RELAY, 24VDC, 40A, SPDT	1
3	130737	●BREAKER, CIRCUIT 10 AMP	1

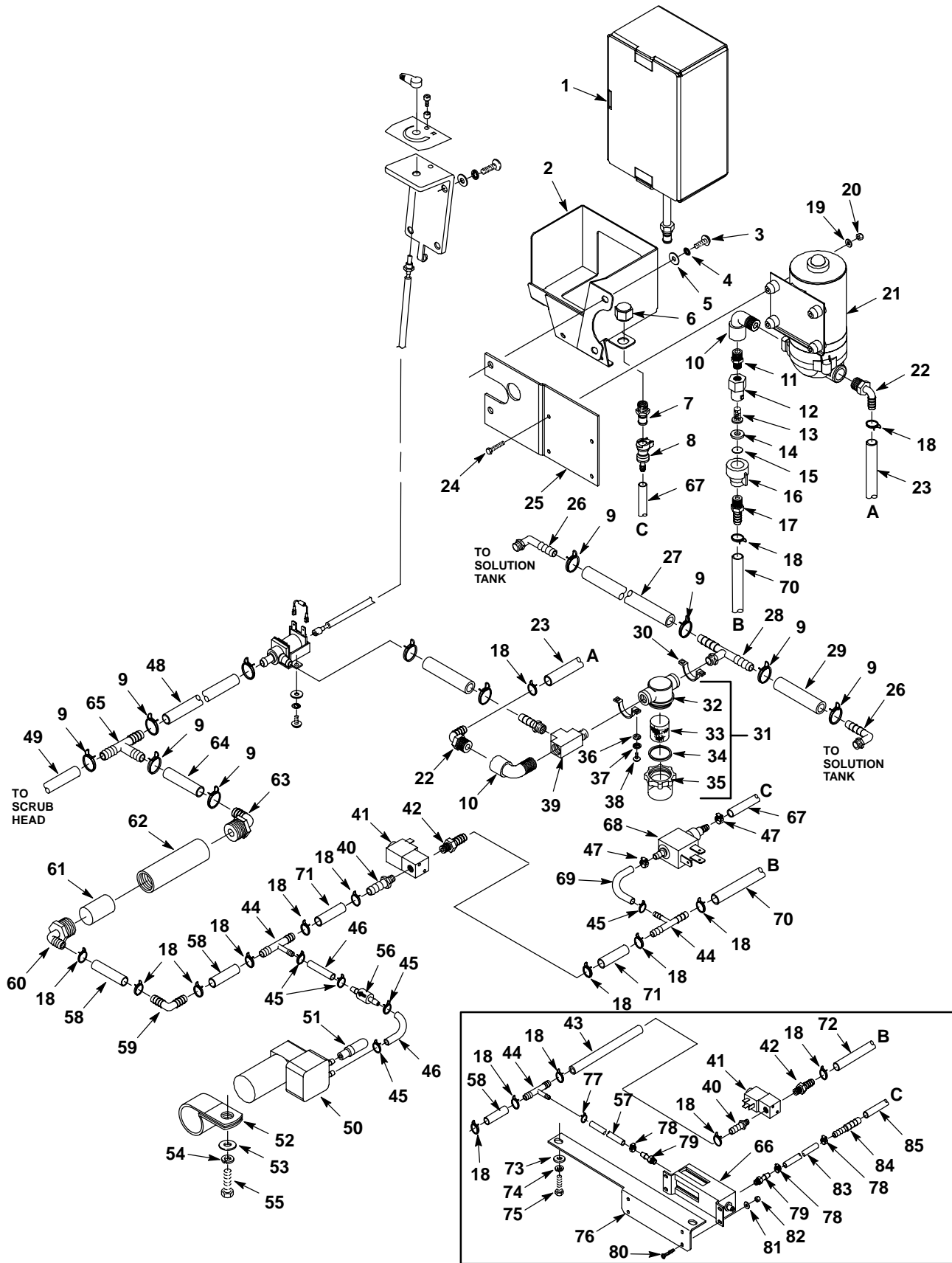
REF	PART #	DESCRIPTION	QTY.
4	613983	LABEL, FAST SWITCH	1
5	130787	●SWITCH, ROCKER SPDT	1
6	578720	●SPLASHGUARD, RCKR SWITCH	1

▽ ASSEMBLY / CONJUNTO

▲ INCLUDED IN ASSEMBLY / INCLUIDO EN EL CONJUNTO

● RECOMMENDED STOCK ITEMS / ARTICULOS RECOMENDADOS PARA
MANTENER EN EXISTENCIA

FaST™ SOLUTION GROUP
FaST™ GRUPO DE SOLUCIÓN



**FaST™ SOLUTION GROUP
FaST™ GRUPO DE SOLUCIÓN**

REF	PART #	DESCRIPTION	QTY.
1	1010602	365 CONCENTRATE CLEANER	2 PK
	1010603	665 CONCENTRATE DEGREASER	2 PK
2	1002196	BRACKET, HOLDER BOX CONCENTRATE	1
3	608322	SCREW, M6X1.0X16 TRSPHL	2
4	578244000	WASHER, M6.4 LOCK	2
5	140000	WASHER, 1/4 FLAT	2
6	1005435	FITTING, PLSTC PIPE CAP	1
7	1002899	COUPLING, MALE .25NPT	1
8	1002898	COUPLING, FEM W/VALVE .25 BRB	1
9	607776	CLAMP, HOSE .73--.77 2 WIRE BLK	8
10	1005318	FITTING, PLSTC, E90 PF06/PM06	2
11	1005219	FITTING, PLSTC, STR PM04/PM06	1
▽	1005321	FITTING, PLSTC, CAP ASM	1
▲	1005507	FITTING, PLSTC, BODY SPRAY	1
▲	1006447	●STRAINER, ORIFICE	1
▲	1005509	PLATE, ORIFICE, 0.035ID	1
▲	1005508	WASHER, .034B 0.75D 0.12	1
▲	1005506	FITTING, PLSTC CAP SPRAY	1
17	1005220	FITTING, PLSTC STR BM06/PM04	1
18	607775	CLAMP, HOSE .63--.66 2 WIRE BLK	12
19	19065	WASHER, FLAT #08	4
20	02850	NUT, HEX LOCK M04X.07	4
21	1005620	PUMP, SOLUTION 24VDC	1
22	1005630	FITTING, PLSTC E90 BM06/PM06	2
23	391443	HOSE, PVC, BRD .38IDX17.0L	1
24	09205	SCREW, HEX M06X0.7X25, 8.8	4
25	1005615	BRACKET, PUMP WATER	1
26	578039000	FITTING, 3/8MX1/2H ELBOW	2
27	069760726	HOSE, 0.5ID X 225MM	1
28	605046	FITTING, TEE	1
29	069760725	HOSE, SOLUTION 1/2IDX3.25"	1
30	605056	BRACKET, FILTER MOUNT	2
▽	1005302	●SCREEN, INLINE 80 MESH	1
▲	613993	●BODY, TOP FILTER	1
▲	1005304	●SCREEN, FILTER 80 MESH	1
▲	613992	●GASKET, FILTER	1
▲	613991	●BOWL, CLEAR FILTER	1
36	140011	WASHER, 3/16 FLAT	4
37	200655016	WASHER, M5 LOCK	4
38	578141000	SCREW, M5X10 PANPHL	4
39	601483	TEE, STREET 3/8 NPT	1
40	1005375	FITTING, PLSTC STR BM06/PM02	1

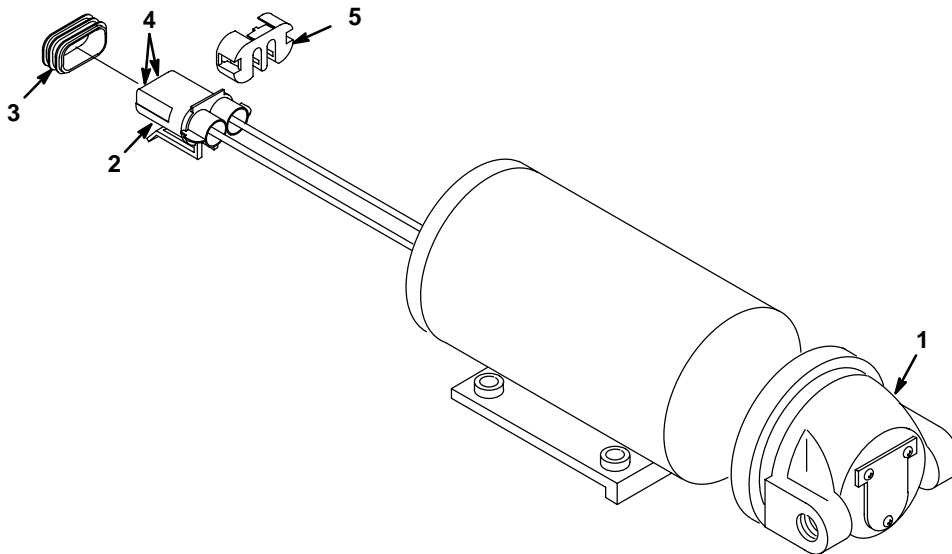
▽ ASSEMBLY / CONJUNTO

▲ INCLUDED IN ASSEMBLY / INCLUIDO EN EL CONJUNTO

● RECOMMENDED STOCK ITEMS / ARTICULOS RECOMENDADOS PARA MANTENER EN EXISTENCIA

REF	PART #	DESCRIPTION	QTY.	
41	1002530	VALVE, SHUTOFF ELECT 24VDC	1	
42	1005375	FITTING, PLSTC STR BM06/PM02	1	
43	1005444	HOSE, PVC BRAIDED .38IDX5	1	
44	61456	FITTING, TEE BM06/BM03/BM06	2	
45	613735	CLAMP, HOSE .40-.42 2 WIRE	5	
46	613720	HOSE, .19IDX3.0 VINYL	3	
47	43844	CLAMP, HOSE .25-.62OD	2	
48	613719	HOSE, PVC, BRD, .50ID X 6.0	1	
49	613718	HOSE, PVC, BRD .50ID X 13.0	1	
50	1002344	PUMP, AIR	1	
51	1005255	FILTER, ASM AIR	1	
52	53466	CLAMP, CABLE, STL, 1.50DX1.00W	1	
53	32491	WASHER, FLAT, .31 STD	1	
54	200370019	WASHER, LOCK M8.4	1	
55	09010	SCREW, HEX, M08X1.25X25	1	
56	1005327	FITTING, CVALVE BM03/BM03	1	
57	391448	HOSE, PVC 0.19IDX19.5L	1	
58	613717	HOSE, PVC, BRD, .38IDX2	2	
59	20951	FITTING, PLSTC E90 BM06/BM06	1	
60	79484	FITTING, PLSTC E90 BM06/PM12	1	
61	1002789	FILTER, FOAM	3	
62	1005086	TUBE, PLASTIC 25MM ID	1	
63	1005552	FITTING, PLSTC E90 BM08/PM12	1	
64	392256	HOSE, PVC, BRD, .50IDX0.73ODX2	1	
65	63245-1	FITTING, TEE BM08/BM08/BM08	1	
▽	66	613944	KIT, REPLACEMENT PUMP	1
▲	67	613947	HOSE, PVC .25IDX24.0	1
▲	68	1005413	PUMP, DETG. 24VDC CEME	1
▲	69	613720	HOSE, .19IDX3.0 VINYL	1
▲	70	391443	HOSE, PVC, BRD, .38IDX17.0	1
▲	71	613717	HOSE, PVC BRAIDED .38IDX2	2
72	391444	HOSE, PVC, BRD, .38IDX14.0	1	
73	32491	WASHER, FLAT, .31 STD	2	
74	200370019	WASHER, LOCK M8.4	2	
75	09010	SCREW, HEX, M08X1.25X25	2	
76	1005356	BRACKET, PUMP, CONCENTRATE	1	
77	613735	CLAMP, HOSE .40-.42 2 WIRE	1	
78	43844	CLAMP, HOSE .25-.62D	3	
79	1005739	FITTING, PLSTC STR, BM03, 1/4-28	2	
80	09206	SCREW, HEX M04X0.7X12, 8.8	4	
81	19065	WASHER, FLAT #08	4	
82	02850	NUT, HEX LOCK M04X.07	4	
83	391447	HOSE, PVC, 0.19IDX8.5L	1	
84	1005324	FITTING, PLSTC STR BM03/BM04	1	
85	391446	HOSE, PVC .25IDX24.0	1	

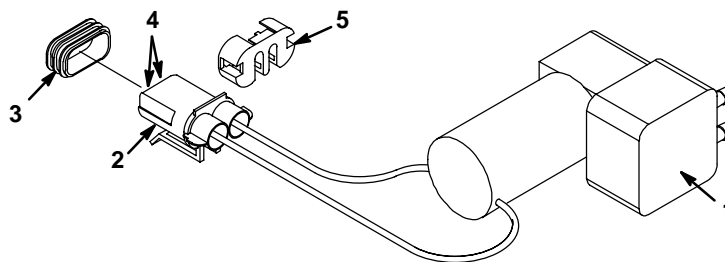
**FaST™ SOLUTION PUMP BREAKDOWN
AVERÍA DE LA BOMBA DE DISOLUCIÓN**



REF	PART #	DESCRIPTION	QTY.
▽	1005620	●PUMP, SOLUTION 24VDC	1
▲ 1	391433	●PUMP HEAD	1
▲ 2	78950	●CONNECTOR	1

REF	PART #	DESCRIPTION	QTY.
▲ 3	10917	●SEAL	2
▲ 4	78951	●TERMINAL, FEMALE	2
▲ 5	78952	●LOCK	1

**FaST™ AIR PUMP BREAKDOWN
AVERÍA DE LA BOMBA DE AIRE**



REF	PART #	DESCRIPTION	QTY.
▽	1002344	●PUMP, AIR	1
▲ 1	391449	●KIT, DIAPHRAGM	1
▲ 2	78950	●CONNECTOR	1

REF	PART #	DESCRIPTION	QTY.
▲ 3	10917	●SEAL	2
▲ 4	78951	●TERMINAL, FEMALE	2
▲ 5	78952	●LOCK	1

▽ ASSEMBLY / CONJUNTO

▲ INCLUDED IN ASSEMBLY / INCLUIDO EN EL CONJUNTO

● RECOMMENDED STOCK ITEMS / ARTICULOS RECOMENDADOS PARA MANTENER EN EXISTENCIA