



Electronic Service Manuals

This electronic document is provided as a service to our customers. We do not create the contents of the information contained in this document. Should you have detailed questions pertaining to the information contained in this document, you may contact Michco, or the manufacturer which provided the original information in this electronic deliverable. Michco's only part in this electronic deliverable was the electronic assembly process. By providing this manual on line we are not guaranteeing parts availability.

You may contact Michco through the following methods:

Phone (517) 484-9312 or (800) 331-3339

2011 N. High St. -- Lansing, Michigan -- 48906

Fax: (517) 484-9836

Email: CustServe@Michco.com

Web site: www.Michco.Com

Parts Web site: www.FloorMachineParts.Com

Order Parts on Line at:

www.FloorMachineParts.Com

Directly to Parts & Service:

By Email: **Shop@Michco.com**

By Fax: (517) 702-2041

By Voice: Use numbers above.

Serving the Cleaning Industry Since 1922

Notice: All copyrighted material remains property of original owners, all trademarks are property of respective owners. Manuals are subject to Manufacturer's reproduction limitations. Originals or reproductions were provided by manufacturers through a request. We make no warranty as to the correctness of information provided in this document and you assume all risk. By placing these manuals on line we are not declaring our corporation to be an manufacturer authorized dealer or provider, please check our web site for authorized manufacturers we represent.



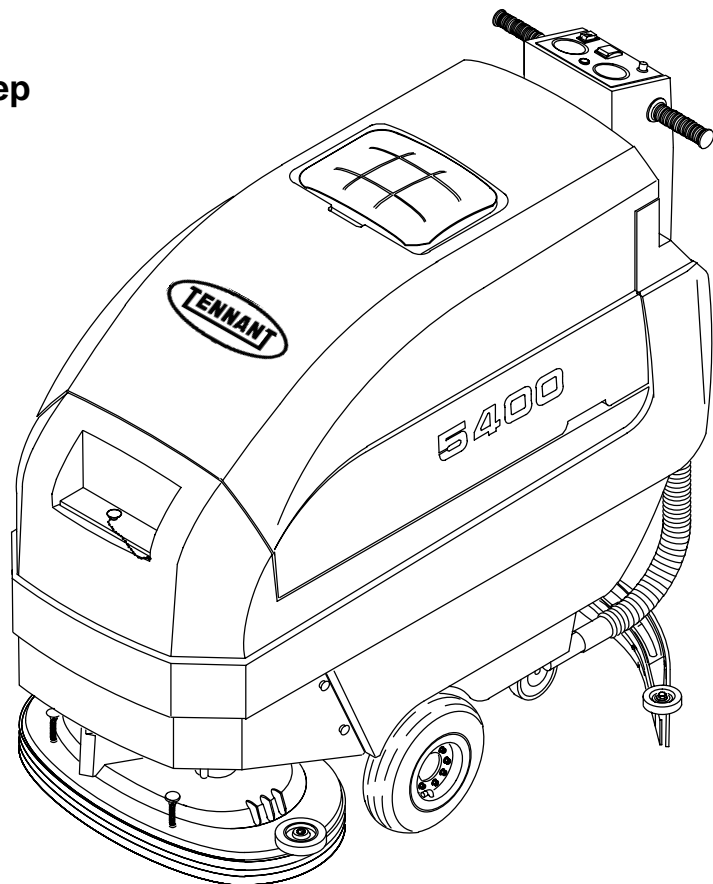
5400

Scrubber

Model No.:

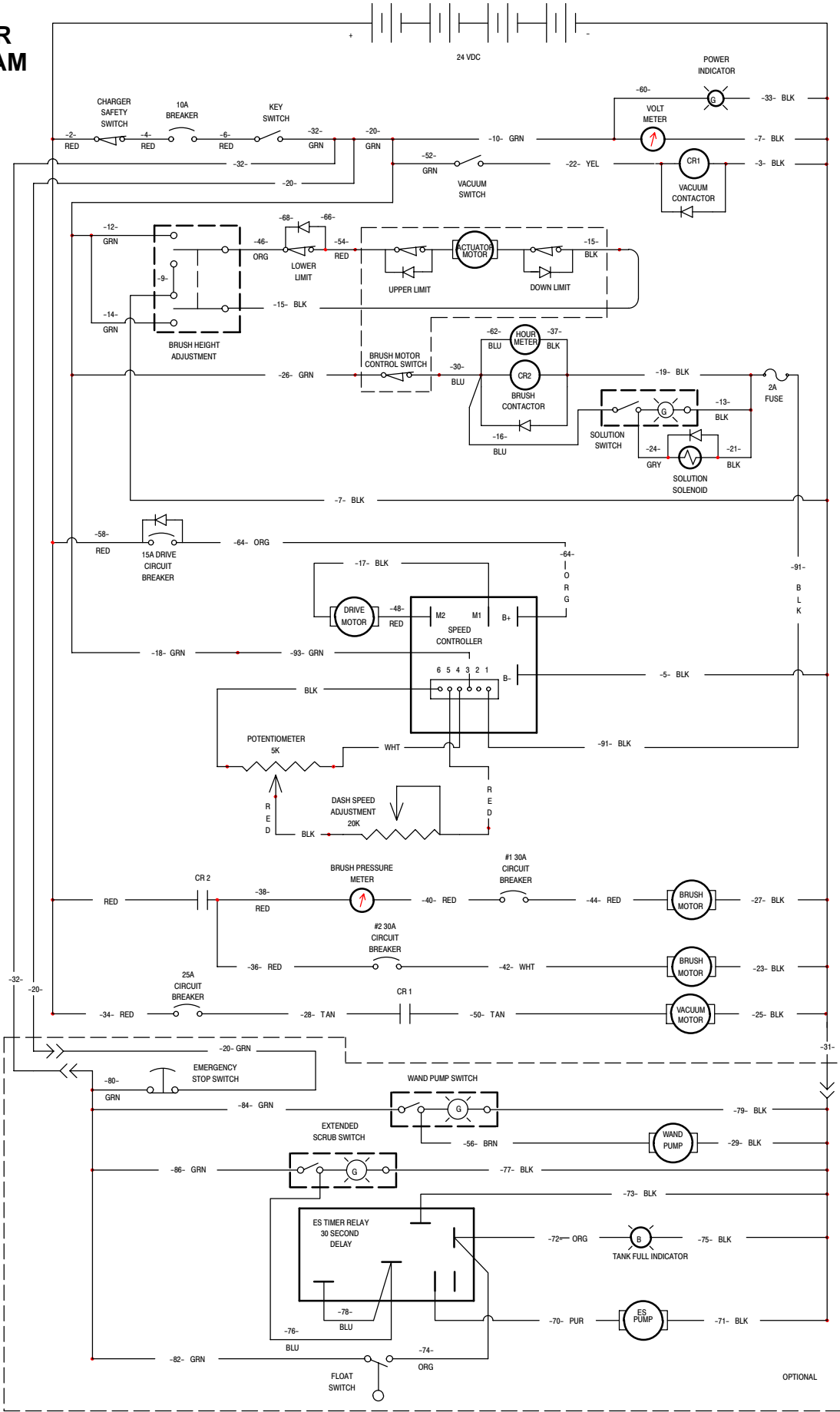
- 606931 - Disk Standard**
- 606932 - Disk ES™**
- 607525 - Disk Wand Prep**
- 606933 - Disk Deluxe**
- 606934 - Cylindrical Standard**
- 606935 - Cylindrical ES™**
- 606936 - Cylindrical Deluxe**
- 607526 - Cylindrical Wand Prep**

Operator and Parts Manual

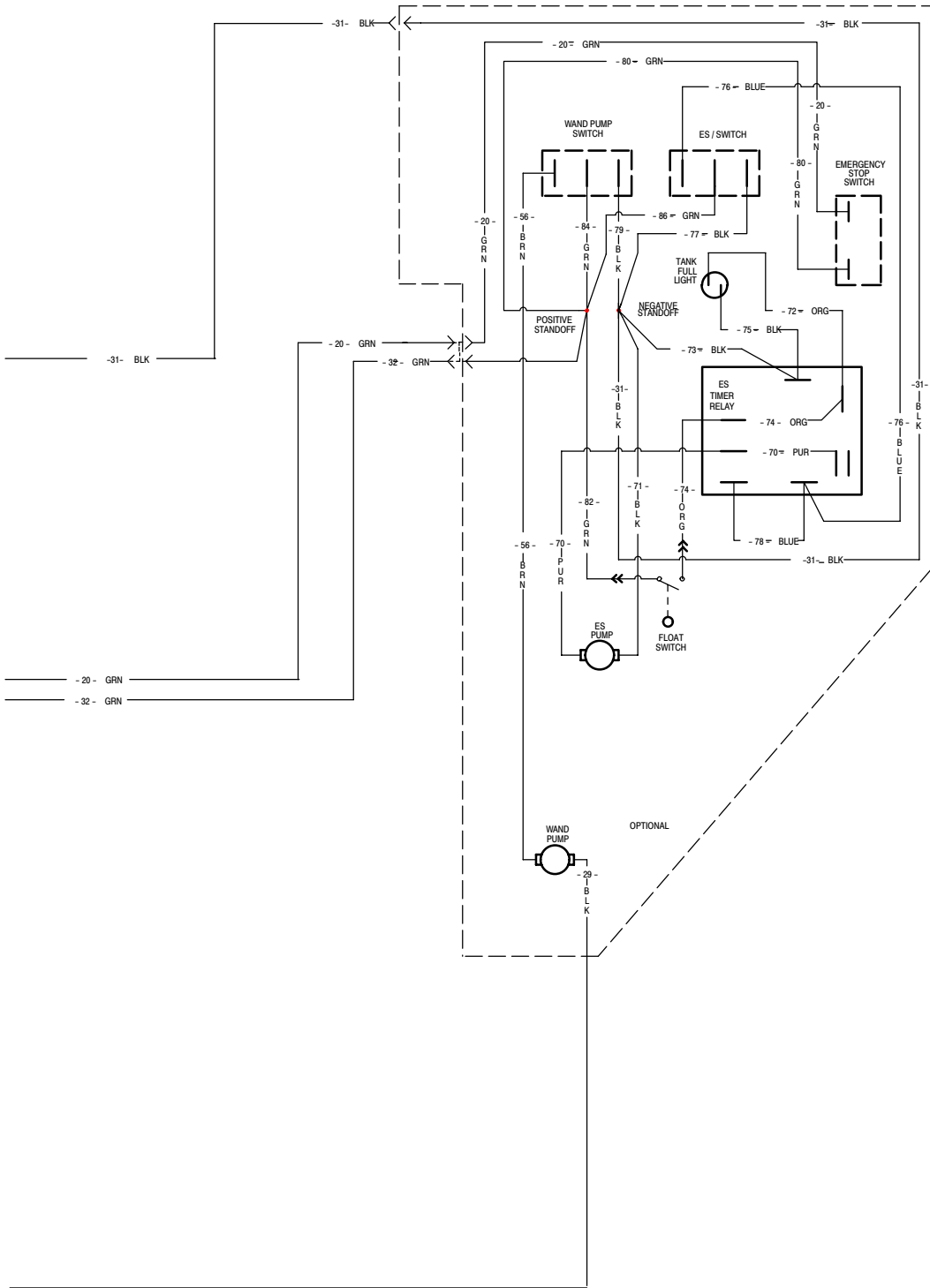


606862
Rev. 02 (03-00)

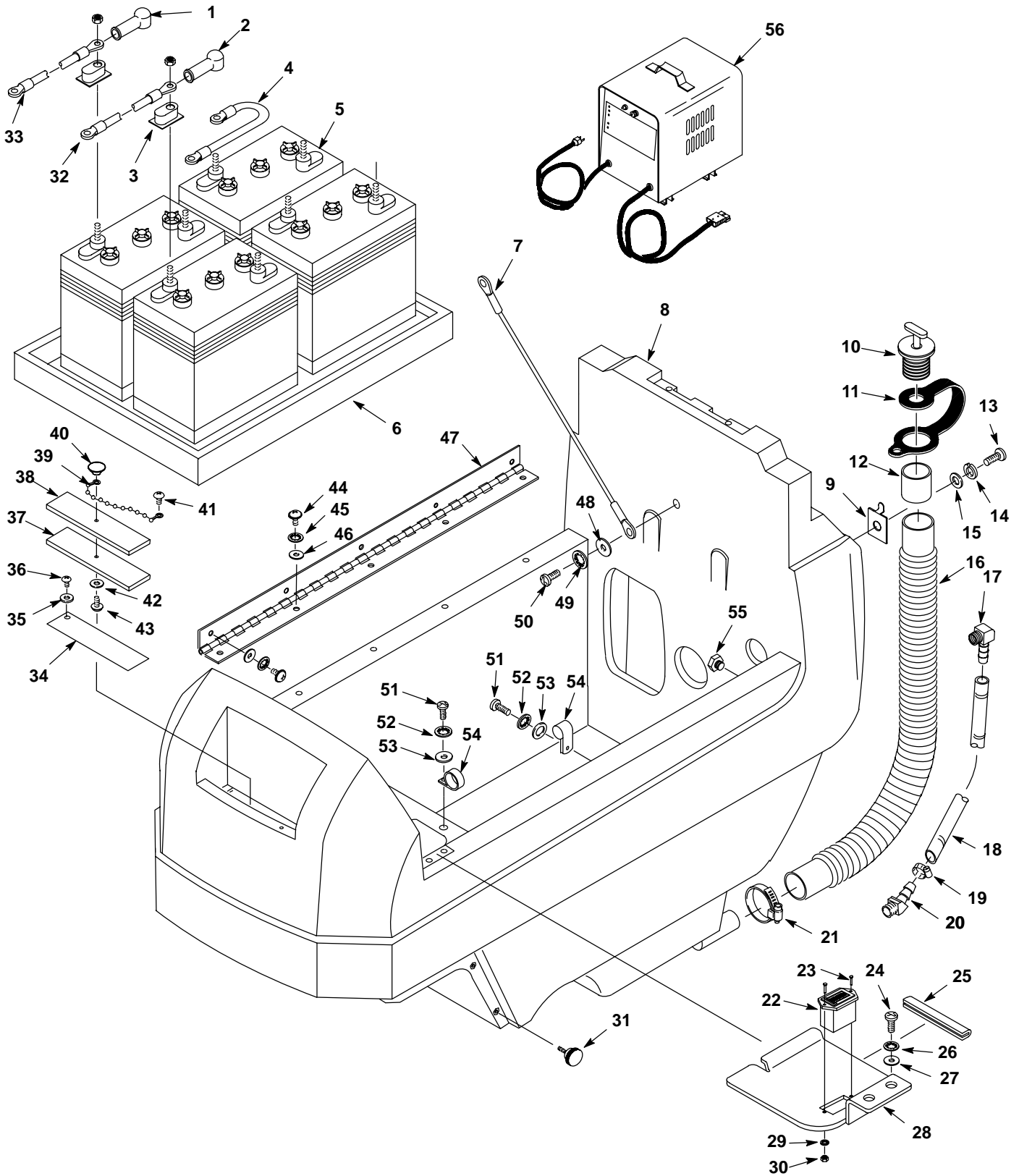
LADDER DIAGRAM



WIRE DIAGRAM
(OPTIONS)



SOLUTION TANK GROUP



SOLUTION TANK GROUP

REF	PART #	DESCRIPTION	QTY.
1	611221	●TERMINAL BOOT, BLACK	4
2	611222	●TERMINAL BOOT, RED	4
3	611223	COVER, TERMINAL	8
4	130364	●CABLE, BATT. #6 BLKX15" 5/16X3/8	3
∇5	606896	BATTERY KIT (SET OF 4)	1
▲	069764222	BATTERY, 6V 235 AMP	4
6	605059	TRAY, BATTERY	1
7	140960	●CABLE, REC TANK SUPPORT	1
8	606532	TANK, SOLUTION – TEAL	1
9	601460	CLIP, DRAIN HOSE	1
10	621324	●PLUG, EXPANSION 1–1/2"DIA	1
11	578441	●STRAP, DRAIN HOSE	1
12	630394	●SLEEVE, DRAIN HOSE 1.5"	1
13	578321000	SCREW, M6X1.0X16	1
14	578244000	WASHER, 6.4X10.0 LOCK	1
15	140000	WASHER, 1/4 FLAT	1
16	605042	●HOSE DRAIN, 1.50 DIA X 27	1
17	150419	FITTING, 1/4MX3/8H ELBOW	1
18	606879	HOSE, SIGHT GAGE	1
19	140305	CLAMP, HOSE 7/32–5/8	1
20	28303	FITTING, 1/4MX3/8H	1
21	140307	CLAMP, HOSE 3/4 TO 1–3/4	1
22	31988	HOUR METER, 18–60VDC	1
23	200070266	SCREW, M3X.5X16	2
24	578321000	SCREW, M6X1.0X1	2
25	606889	EDGING, PLASTIC 1/8 X 3.6"	1
26	578244000	WASHER, 6.4X10.0 LOCK	2
27	140000	WASHER, 1/4 FLAT	2
28	606524	BRACKET, HOUR METER	1

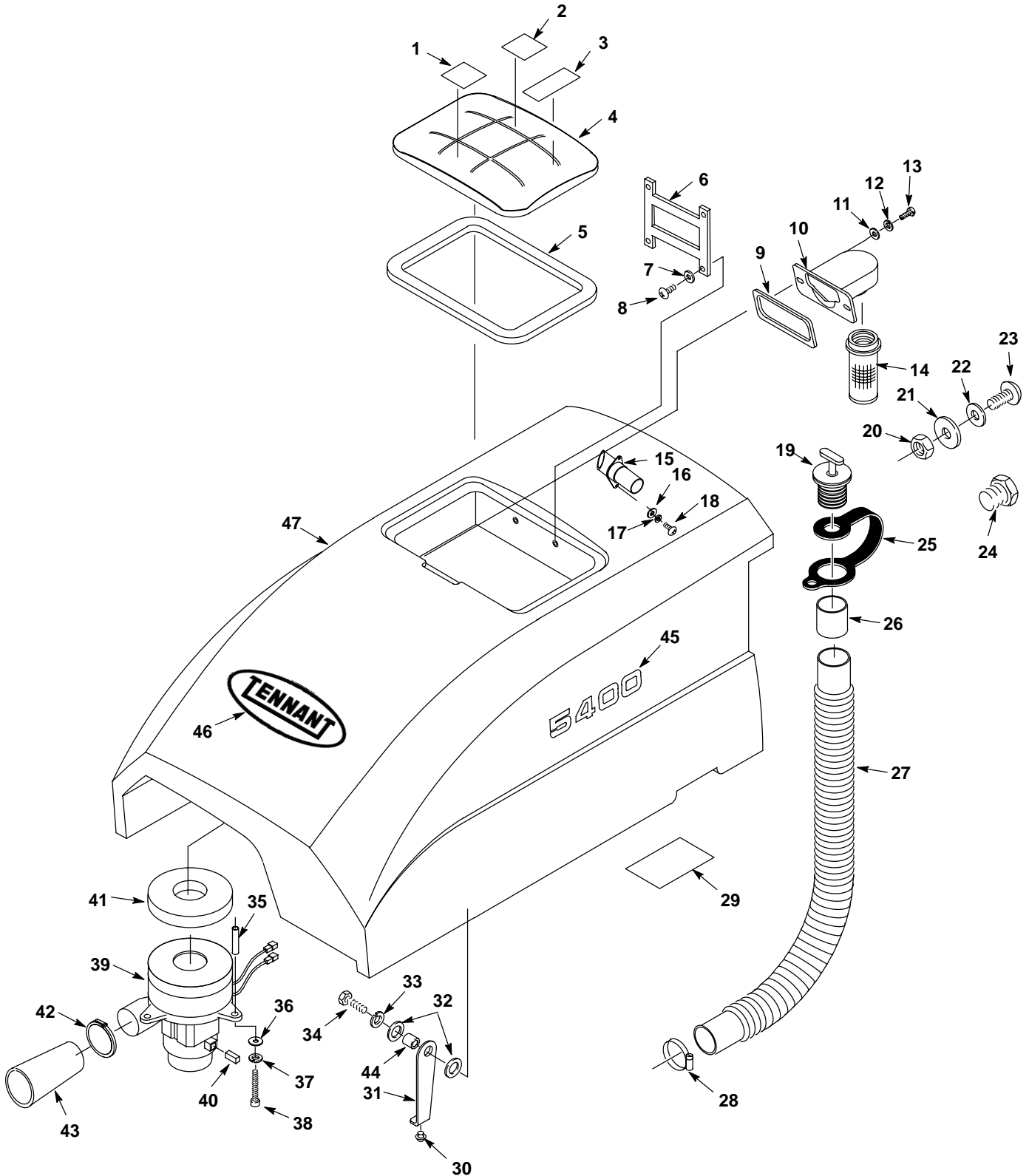
REF	PART #	DESCRIPTION	QTY.
29	200301012	WASHER, M3 FLAT	2
30	579211	NUT, M3	2
31	603012	●KNOB, FRONT SHROUD	5
32	602872	●CABLE, BATT, REDX28"	1
33	602871	●CABLE, BATT, BLKX24"	1
34	606146	●SCREEN, SOLUTION FILL	1
35	140032	WASHER, #6 FLAT	2
36	140826	SCREW, #6X3/4	2
37	605062	●GASKET, SOLUTION FILL COVER	1
38	605061	●COVER, SOLUTON FILL	1
39	621443	●CHAIN, DRAIN PLUG	1
40	578301	●KNOB, FILL COVER	1
41	140826	●SCREW, #6X3/4	1
42	140018	WASHER, #10 INT	1
43	578201000	SCREW, 10–32X.5	1
44	578321000	SCREW, M6X1.0X16	10
45	578244000	WASHER, 6.4X10.0 LOCK	10
46	140000	WASHER, 1/4 FLAT	10
47	230721	HINGE	1
48	140000	WASHER, 1/4 FLAT	1
49	578244000	WASHER, 6.4X10.0 LOCK	1
50	578321000	SCREW, M6X1.0X16	1
51	578321000	SCREW, M6X1.0X16	3
52	578244000	WASHER, 6.4X10.0 LOCK	3
53	140000	WASHER, 1/4 FLAT	3
54	606697	CLAMP 1.125 DIA	3
55	630146	PLUG, 3/8"	1
56	603235	CHARGER, 24DC, 20A, 120AC	1

∇ ASSEMBLY

▲ INCLUDED IN ASSEMBLY

● RECOMMENDED STOCK ITEMS

RECOVERY TANK GROUP



RECOVERY TANK GROUP

REF	PART #	DESCRIPTION	QTY.
1	630422	DECAL, BATTERY CHARGE	1
2	606105	DECAL, DO NOT SPRAY	1
3	630420	DECAL, FLAMMABLE MATERIAL	1
4	630055	COVER, TANK CLEANOUT	1
5	630367	●GASKET, REC. TANK COVER	1
6	630056	STRAP, TANK COVER RETAINING	1
7	630390	WASHER, FLAT	4
8	140872	SCREW, #6X3/8	4
9	630255	GASKET, FLOAT MOUNT	1
10	630053	MOUNT, FLOAT CAGE	1
11	140000	WASHER, 1/4 FLAT	2
12	578244000	WASHER, 6.4X10.0 LOCK	2
13	600385	SCREW, M6X1.0X20	2
14	630052	●FLOAT CAGE, W/BALL	1
15	607372	ADAPTER, HOSE	1
16	200301016	WASHER, FLAT	2
17	200655016	WASHER, LOCK	2
18	200070382	SCREW, M5X.8X10	2
19	621324	●PLUG, EXPANSION 1-1/2"DI	1
20	603418	NUT, 5/8-11 HEX NYLON	1
21	14194	WASHER, RUBBER	1
22	27820	WASHER, FLAT	1
23	609709	SCREW 5/8-11X1"	1
24	630147	PLUG, 3/4"	1
25	578441	●STRAP, DRAIN HOSE	1

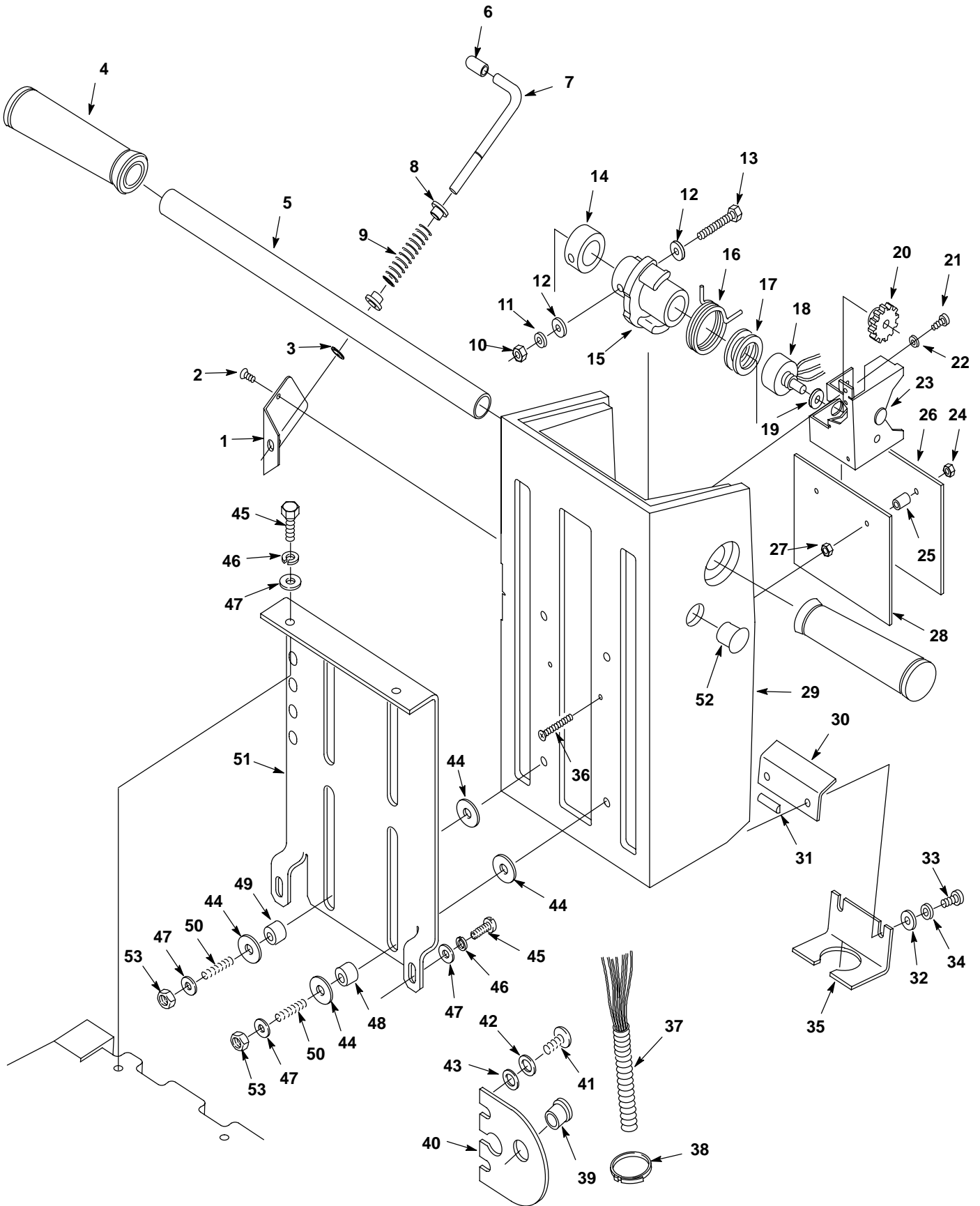
REF	PART #	DESCRIPTION	QTY.
26	630394	●SLEEVE, DRAIN HOSE 1.5"ID	1
27	605042	●HOSE, DRAIN 1.50 DIA X 27	1
28	140307	CLAMP, HOSE	1
29	606520	DECAL, BATTERY PLACEMENT	1
30	069760189	●BUMPER, RUBBER	1
31	606527	●SUPPORT, RECOVERY TANK	1
32	140027	WASHER, 5/16 FLAT	2
33	140015	WASHER, 5/16 SPLITLOCK	1
34	200031486	SCREW, M8X1.25X16	1
35	626041	SPACER	4
36	140000	WASHER, 1/4 FLAT	4
37	140016	WASHER, 1/4 LOCK	4
38	626123	SCREW, HEX HD,MD6 X 100MM	4
▽39	605057	●MOTOR, VACUUM 5.7 3STG 24VDC	1
▲40	190163	BRUSH, CARBON 2/PK	2
41	626092	●GASKET, VACUUM FAN	1
42	130041	WIRE TIE, NYLON	1
43	600009	●MUFFLER, VAC EXHAUST	1
44	140116	BUSHING, 5/16ID X 7/16OD X .140	1
45	606401	DECAL, 5400	1
46	630229	DECAL, TENNANT	1
47	606587	TANK, RECOVERY - TEAL	1

▽ ASSEMBLY

▲ INCLUDED IN ASSEMBLY

● RECOMMENDED STOCK ITEMS

CONSOLE GROUP



CONSOLE GROUP

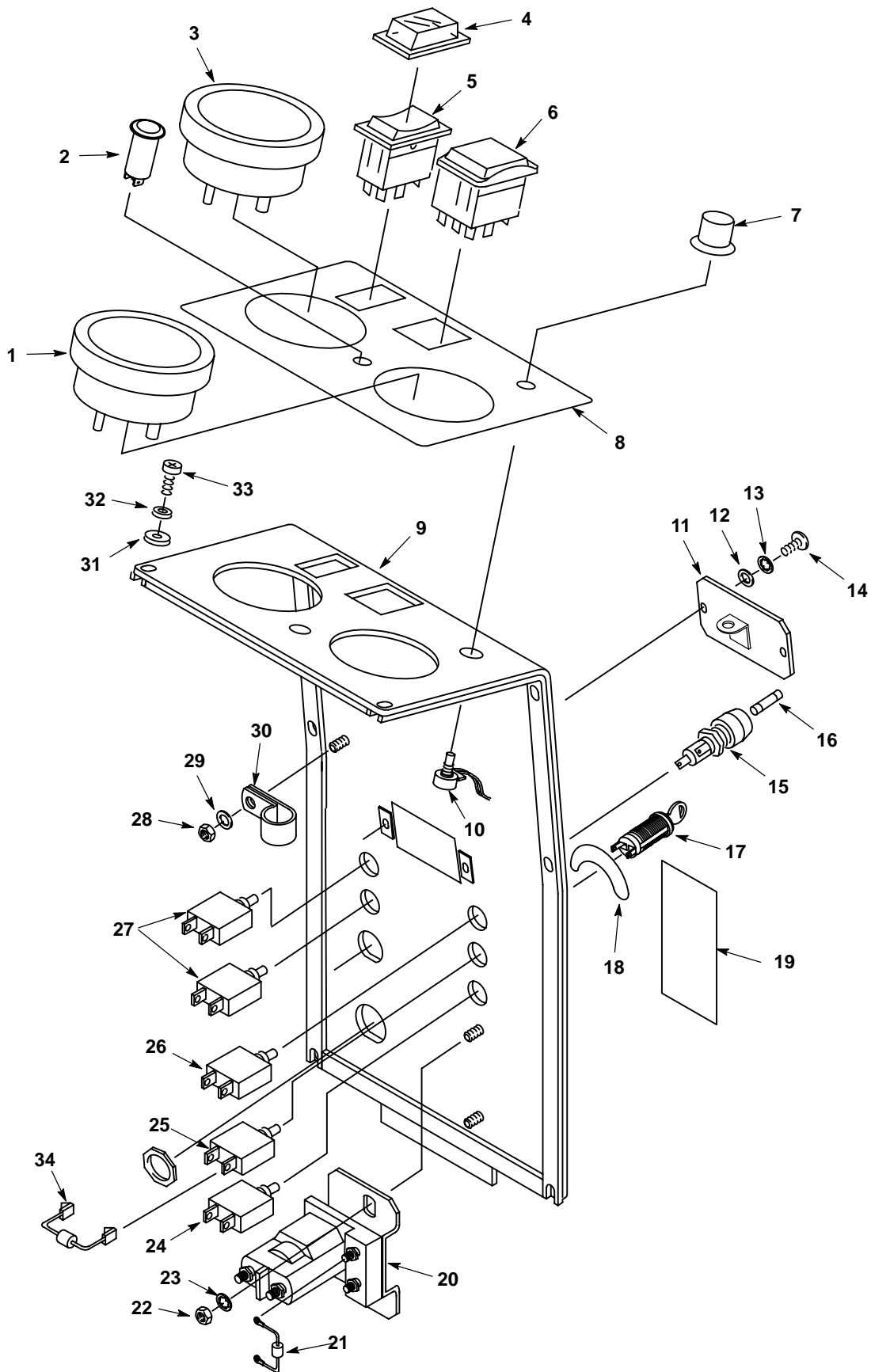
REF	PART #	DESCRIPTION	QTY.
1	630087	PLATE, LATCH RETAINER	1
2	630114	SCREW, M4X.7X8	1
3	630084	RING, RETAINING EXT.	1
4	222648	●GRIP, HANDLE TUBE	2
5	630093	HANDLEBAR	1
6	630094	GRIP, CONSOLE ADJUST LEVER	1
7	630081	LEVER, CONSOLE ADJUST.	1
8	630083	BUSHING, LATCH	2
9	630082	SPRING	1
10	579029	NUT, M6X1.0	1
11	578244000	WASHER, 6.4X10.0 LOCK	1
12	579210	WASHER, 6.4X18.0X1.5 FLAT	2
13	630431	SCREW, M6X1.0X40	1
14	630217	COLLAR	1
15	630109	●ASSEMBLY, HUB/GEAR	1
16	630088	●SPRING, CENTER	1
17	069760582	WASHER, NYLON	2
18	606821	●POTENTIOMETER & WIRING ASM	1
19	579144	WASHER, FLAT	1
20	630099	●GEAR	1
21	200070340	SCREW, M4X.7X8	1
22	140023	WASHER, #8 INT	1
23	630079	BRACKET, LIMIT SWITCH MOUNT	1
24	200160014	NUT, M4 HXLCK	2
25	630261	SPACER	2
26	630104	BOARD, SPEED CONTROL	1
27	200160014	NUT, M4 HXLCK	2

1026373

REF	PART #	DESCRIPTION	QTY.
28	630128	HEATSINK, 11GA. ALUM.	1
29	602700	CONSOLE – TEAL	1
30	630086	PLATE, STRAIN RELIEF	1
31	606888	SKID STRIP, .75" LONG	1
32	140000	WASHER, 1/4 FLAT	2
33	578321000	SCREW, M6X1.0X16	2
34	578244000	WASHER, 6.4X10.0 LCK	2
35	606711	BRACKET, CONDUIT MOUNT	1
36	630304	SCREW, M4X.7X35	2
37	606726	HARNES, MAIN WIRE	1
38	130041	WIRE TIE, NYLON	2
39	130104	BUSHING, SNAP .875 ID	1
40	605067	RETAINER, WIRE HARNES	1
41	578321000	SCREW, M6X1.0X16	2
42	578244000	WASHER, 6.4X10.0 LOCK	2
43	140000	WASHER, 1/4 FLAT	2
44	608562	WASHER, FLAT, NYLON	8
45	578237000	SCREW, M8X1.25X18	4
46	200370019	WASHER, LOCK,	4
47	14880.5	WASHER, FLAT	8
48	607783	BEARING, .314ID, .503OD	2
49	630259	BEARING, 9.5ID, 12.7OD	2
50	607461	SCREW, SET, M8X1.25X35	4
51	606062	PLATE, CONSOLE SLIDE	1
52	130280	PLUG, DOME	1
53	200160017	NUT, M8 HX LOCK	4

● RECOMMENDED STOCK ITEMS

CONSOLE PANEL GROUP



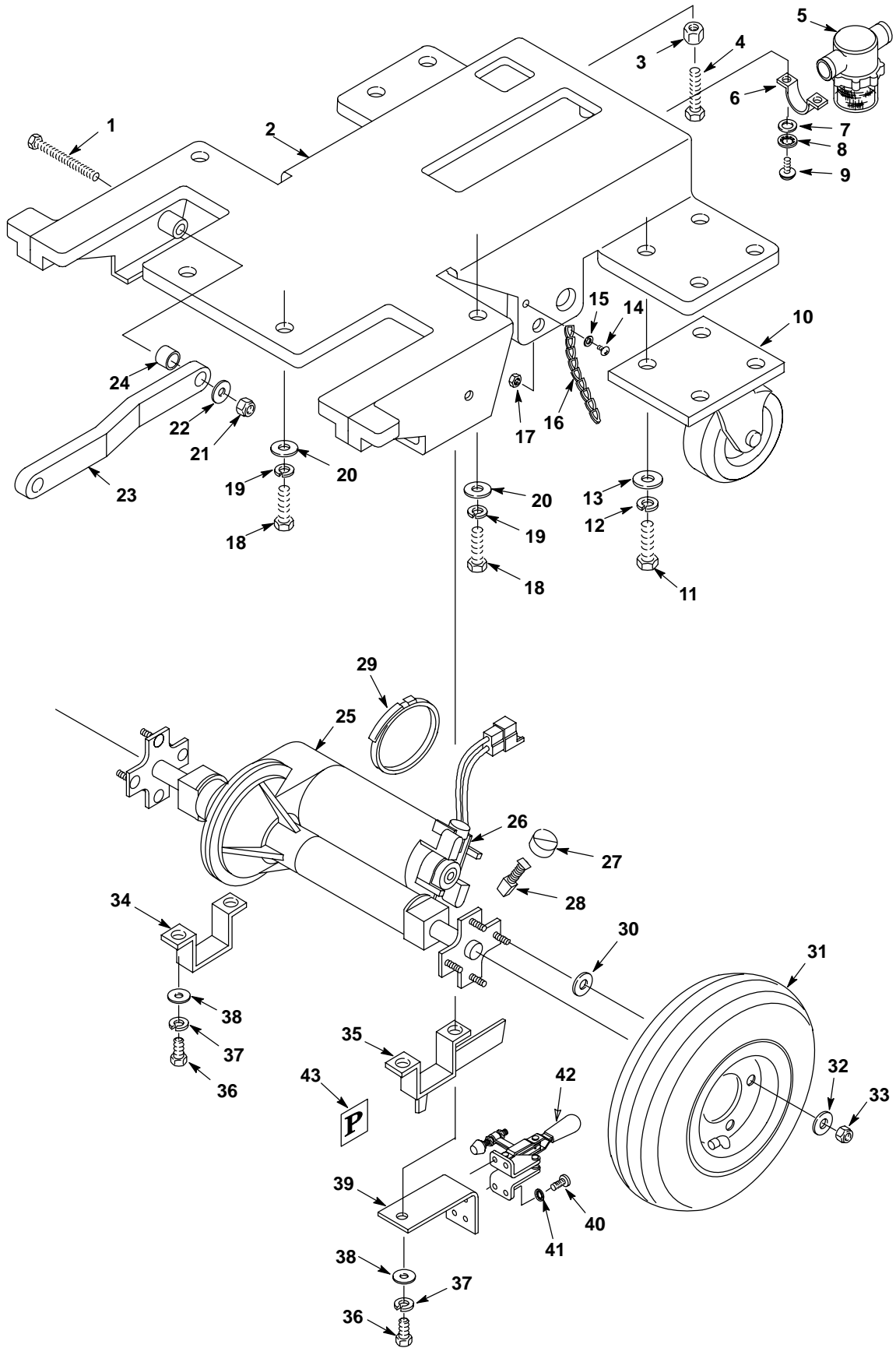
CONSOLE PANEL GROUP

REF	PART #	DESCRIPTION	QTY.
1	630091	●METER, BATTERY	1
2	130738	●LIGHT, INDICATOR GREEN	1
3	606990	●GAUGE, BRUSH PRESSURE	1
4	578720	●SPLASHGUARD, ROCKER SWITCH	1
5	630419	●SWITCH, SOLUTION	1
6	222116	●SWITCH, BRUSH PRESSURE	1
7	630265	●KNOB, SPEED LIMIT	1
8	606518	DECAL, DASH	1
9	605044	PANEL, SWITCH	1
10	630133	●RESISTOR, 0-20K, SPD CONTROL	1
11	605045	PLATE, SWITCH COVER	1
12	575541000	WASHER, FLAT	2
13	200655016	WASHER, LOCK	2
14	578141000	SCREW, M5X10	2
15	578418	●FUSEHOLDER, BAYONETTE	1
16	601091	●FUSE, 2AMP	1
17	130785	●SWITCH, KEY	1

REF	PART #	DESCRIPTION	QTY.
18	604793	DECAL, KEYSWITCH ON(1)/OFF(0)	1
19	606519	DECAL, CIRCUIT BREAKERS	1
20	603008	●CONTACTOR	1
21	606404	●ASM, DIODE W/RING TERMINALS	1
22	579028	NUT, HEX LOCK	2
23	069760082	WASHER, PLAIN	2
24	612485	●BREAKER, CIRCUIT 25 AMP	1
25	20361	●BREAKER, CIRCUIT 15 AMP	1
26	130737	●BREAKER, CIRCUIT BRUSH 10 AM	1
27	606780	●BREAKER, CIRCUIT 30 AMP	2
28	140283	NUT, M5X.8 NYLCK	1
29	575541000	WASHER, FLAT	1
30	140323	CLAMP, NYLON 1/2"	1
31	200301014	WASHER, FLAT	8
32	140023	WASHER, #8	8
33	200070340	SCREW, M4X.7X8	8
34	607394	DIODE	1

- RECOMMENDED STOCK ITEMS

DRIVE GROUP



DRIVE GROUP

REF	PART #	DESCRIPTION	QTY.
1	575544000	SCREW, M8X1.25X80	1
2	606014	FRAME, TRANSAXLE	1
3	200640017	NUT, M8 HEX	1
4	575544000	SCREW, M8X1.25X80	1
5	601475	●SCREEN, FILTER	1
6	605056	BRACKET, FILTER MOUNT	2
7	140011	WASHER, 3/16 FLAT	4
8	200655016	WASHER, LOCK	4
9	578141000	SCREW, M5X10	4
10	630002	●CASTER, 4"DIA, 1-3/8"W	2
11	200607491	SCREW, M8X1.25X25	8
12	200370019	WASHER, LOCK	8
13	14880.5	WASHER, FLAT	8
14	140287	SCREW, 10-24X3/8	2
15	200301014	WASHER, FLAT, 5/16	2
16	605950	●CHAIN, LINK 8"	2
17	200160014	NUT, M4 HXLCK	2
18	200031488	SCREW M8X1.25X20	4
19	200370019	WASHER, LOCK	4
20	14880.5	WASHER, FLAT 5/16	4
21	200160017	NUT, M8	2
22	14880.5	WASHER, FLAT 5/16	4
23	222027	ARM, HEAD LIFT	2
24	606056	SLEEVE, HEAD ARM	2
∇25	630126	●TRANSAXLE & MOTOR, 24VDC	1
▲26	600606	●END BELL, TRANSAXLE MOTOR	2

REF	PART #	DESCRIPTION	QTY.
▲27	630503	●BRUSH, CAP	2
▲28	630504	●BRUSH, CARBON	2
29	130041	WIRE TIE, NYLON	1
30	140053	WASHER, 9/32X7/8X1/8	8
31	630215	●WHEEL, PNEUMATIC, AIR (STD)	2
	640013	●WHEEL, NEOPRENE, SOLID (OPT)	2
	600352	●WHEEL, FOAM FILLED (OPTION)	2
	604357	●KIT, PNEUMATIC WHEEL, AIR (OPTION)	1
	606754	●KIT, NEOPRENE WHEEL, SOLID (OPTION)	1
	604259	●KIT, FOAM FILLED WHEEL (OPT)	1
32	140000	WASHER, 1/4 FLAT	8
33	630268	NUT, 1/4-28 HEXLOCK	8
34	606001	BRACKET, TRANSAXLE	1
35	606589	BRACKET, TRANSAXLE MOUNT	1
36	200031494	SCREW, M8X1.25X30	4
37	200370019	WASHER, LOCK	4
38	14880.5	WASHER, FLAT TO FIT 5/16	4
39	606823	BRACKET, BRAKE	1
40	140887	SCREW, 10-24X3/8	4
41	140018	WASHER, #10	4
42	600634	CLAMP, PARKING BRAKE	1
43	600624	DECAL, PARKING BRAKE	1

∇ ASSEMBLY

▲ INCLUDED IN ASSEMBLY

● RECOMMENDED STOCK ITEMS

SCRUB HEAD ACTUATOR GROUP

REF	PART #	DESCRIPTION	QTY.
1	605025	BRACKET, ACTUATOR MOUNT	1
2	606521	DECAL, GENERAL HAZARD	1
3	200031488	SCREW, M8X1.25X20	4
4	200370019	WASHER, LOCK	4
5	14880.5	WASHER, FLAT, 5/16	4
6	606523	BRACKET, CONTACTOR	1
7	578427	●STANDOFF, TERMINAL	1
8	140016	WASHER, 1/4 LOCK	1
9	069762126	SCREW, HEX	1
10	605905	●SOLENOID, 24 VDC	1
11	069760082	WASHER, PLAIN	2
12	579028	NUT, HEX LOCK	2
13	606404	●ASM, DIODE W/RING TERMINALS	1
14	45960	●SCREW, SHLDR .5ODX4.25LG	2
15	32486	WASHER, FLAT	4
16	609765	SLEEVE .5 ID X .63 OD X 1.31LG	2
17	45261	●SPRING	2
18	609698	BRACKET, SCRUBHEAD SPRING	1
19	200031488	SCREW, M8X1.25X20	1
20	200160017	NUT, M8 HEXLCK	2
21	200370019	WASHER, LOCK, 5/16	2
22	14880.5	WASHER, FLAT, 5/16	4
23	606528	BRACKET, ROLLER SUPPORT, LEFT	1
24	608199	BRACKET, HEADLIFT TRACK	1
25	608198	●ROLLER , LINKAGE	1
26	140515	NUT, 3/8-16 NYLCK	1
27	45960	●SCREW, SHLDR .5ODX4.25LG	1

REF	PART #	DESCRIPTION	QTY.
28	140314	CLAMP, INSULATED 3/4	1
29	14880.5	WASHER, FLAT, 5/16	6
30	200370019	WASHER, LOCK	6
31	200031488	SCREW, M8X1.25X20	6
32	608197	BRACKET, SCRUBHEAD ROLLER	1
33	140515	NUT, 3/8-16 NYLCK	2
34	63185	●SPRING, 2.0LGX.84ODX.098WIRE	2
▽35	610211	BOX, SWITCH	1
▲36	609702	DECAL, SWITCH CYL. HEAD	1
▲37	609701	DECAL, SWITCH DISK HEAD	1
▲38	609697	DECAL, BARRIER SWITCH	2
39	606668	●SWITCH, MOMENT	1
40	130041	WIRE TIE, NYLON	1
41	578421	PIN, COTTER, .12"X1.00"	1
42	630448	PIN, CLEVIS, .50DIA X 2.25	1
43	578202000	●PIN, CLEVIS.38DIA X 1.50	1
44	140626	●PIN, HITCH	1
45	606091	●ACTUATOR, 24VDC	1
46	607115	BUSHING, STRAIN RELIEF	1
47	607114	PLATE, BRACKET	1
48	607110	BRACKET, ROLLER SPRT, RIGHT	1
49	607398	SCREW, #6-32X1.25	2
50	607920	●SPRING, .72OD X1.00 LG	2
51	607568	●WASHER, THRUST, 1-1/2 OD	2
52	140046	WASHER, 1.00 X .392	1
53	140032	WASHER, #6 FLAT	2
54	140042	WASHER, #6 INT LOCK	2

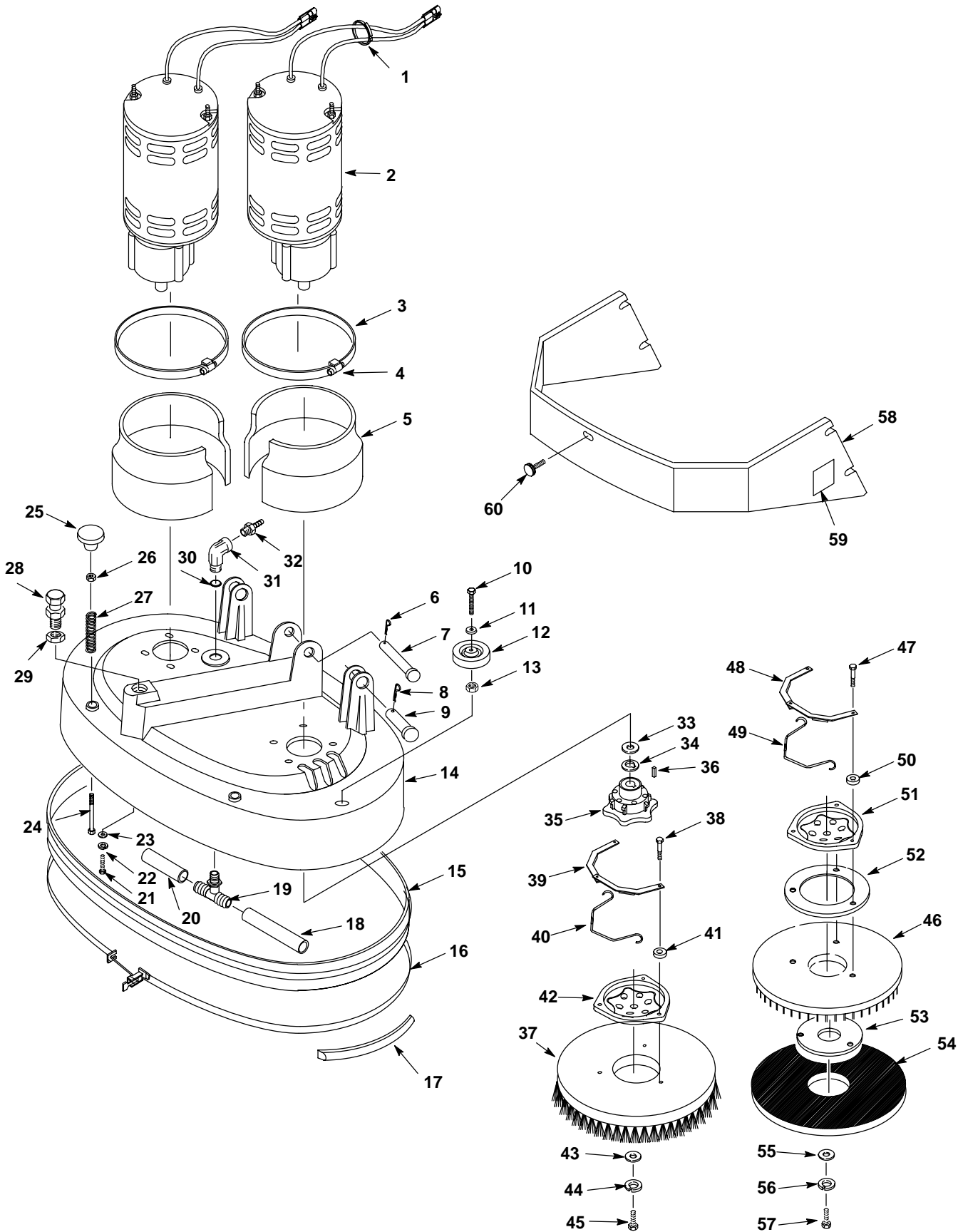
▽ ASSEMBLY

▲ INCLUDED IN ASSEMBLY

● RECOMMENDED STOCK ITEMS

PARTS LIST

DISK SCRUB HEAD GROUP



DISK SCRUB HEAD GROUP

REF	PART #	DESCRIPTION	QTY.
1	130040	WIRE TIE, NYLON 6 X .115	2
▽2	605054	●MOTOR, .75HP 270RPM 24VDC	2
▲	190741	●BRUSH, CARD ASM	2
▲	190970	●BRUSH, CARBON	4
▲	602088000	BEARING, .15 AND 3 HP MOTOR	1
▲	630607	BEARING, LOWER	1
▲	630609	GEARBOX ASSEMBLY	1
3	606883	BAND, SS 16.12"	2
4	602044000	FASTENER, ADJUSTING	2
5	605060	DEFLECTOR, WATER	2
6	140626	●PIN, HITCH	1
7	606078	●CLEVIS PIN, .375DIA X 3	1
8	02942	● PIN HAIR, .12 WIRE 2.375	2
9	222210	●PIN CLEVIS, .625 DIA X 2.12	2
10	621286000	SCREW, M8X1.25X45	2
11	14880.5	WASHER, FLAT 5/16	2
12	630450	●WHEEL, RUBBER	2
13	200160017	NUT, M8 HXLCK	2
14	604978	CASTING, DISC SCRUB HEAD	1
15	604981	●SKIRT, SCRUB HEAD	1
16	606054	●BAND, SKIRT RETAINING	1
17	606884	●SKID STRIP, 1.219M (48")	1
18	606885	TUBING, 3/8 ID X 7.75"	1
19	605052	FITTING, 1/8"NPTM X 3/8"	1
20	606886	TUBING, 3/8 ID X 2.75"	1
21	140202	SCREW, 3/8-16X1	8
22	140017	WASHER, 3/8 SPLTLCK	8
23	140028	WASHER, 3/8 FLT	8
24	606072	SCREW, 3/8-16X4.5 HEX HD	2
25	626083	●KNOB, 3/8	2
26	039708223	NUT, HEX	2
27	626081	●SPRING, COMP	2
28	606548	ADJUSTER, STUD	1
29	3147	NUT, HEAVY HEX JAM 5/8-11	1
30	605058	O-RING	1

REF	PART #	DESCRIPTION	QTY.
31	605047	FITTING, 90 ELBOW	1
32	069764592	FITTING, 1/2MX1/2H	1
33	069760023	WASHER, FLAT	2
34	621471	SPACER, .75X1.12	2
35	626022	●HUB, DRIVE	2
36	630454	KEY, SQUARE, .25" X 1.12"LG	2
▽37	385906	●BRUSH, DISK POLY (OPTION)	2
	385905	●BRUSH, DISK SOFT NYLON (OPT)	2
	385907	●BRUSH, DISK GRIT (OPTION)	2
▲38	630431	SCREW, M6X1.0X40	3
▲39	626074	●CLIP, RETAINER, BRUSH HUB	1
▲40	626072	●SPRING, BRUSH HUB	1
▲41	626080	SPACER, 8.1X17.5X4.8	2
▲42	626133	●ADAPTER, BURSH	1
43	069764631	WASHER, FLAT, 08.4MM	1
44	140015	WASHER, 5/16 SPLTLCK	1
45	140221	SCREW, 5/16-18X1-1/4	1
▽46	385908	PAD DRIVER ASSEMBLY (OPTION)	2
▲47	630431	SCREW, M6X1.0X40	3
▲48	626074	CLIP, RETAINER BRUSH HUB	1
▲49	626072	SPRING, BRUSH HUB	1
▲50	626080	SPACER, 8.1X17.5X4.8	2
▲51	626133	BRUSH ADAPTER	1
▲52	11218	SPACER	1
▲53	19783	K BLADE	1
54	385943	PAD, STRIPPER BROWN (OPTION)	1
	385942	PAD, SCRUBBER BLUE (OPTION)	1
	385941	PAD, BUFFING RED (OPTION)	1
	385940	PAD, POLISHING WHITE (OPTION)	1
55	069764631	WASHER, FLAT, 08.4MM	1
56	140015	WASHER, 5/16 SPLITLOCK	1
57	140221	SCREW, 5/16-18X1-1/4	1
58	606147	SHROUD, SCRUB HEAD	1
59	578769	DECAL, MOVING PARTS	2
60	603012	KNOB, M6	5

▽ ASSEMBLY

▲ INCLUDED IN ASSEMBLY

● RECOMMENDED STOCK ITEMS

CYLINDRICAL BRUSH SCRUB HEAD GROUP, 610mm (24 in)

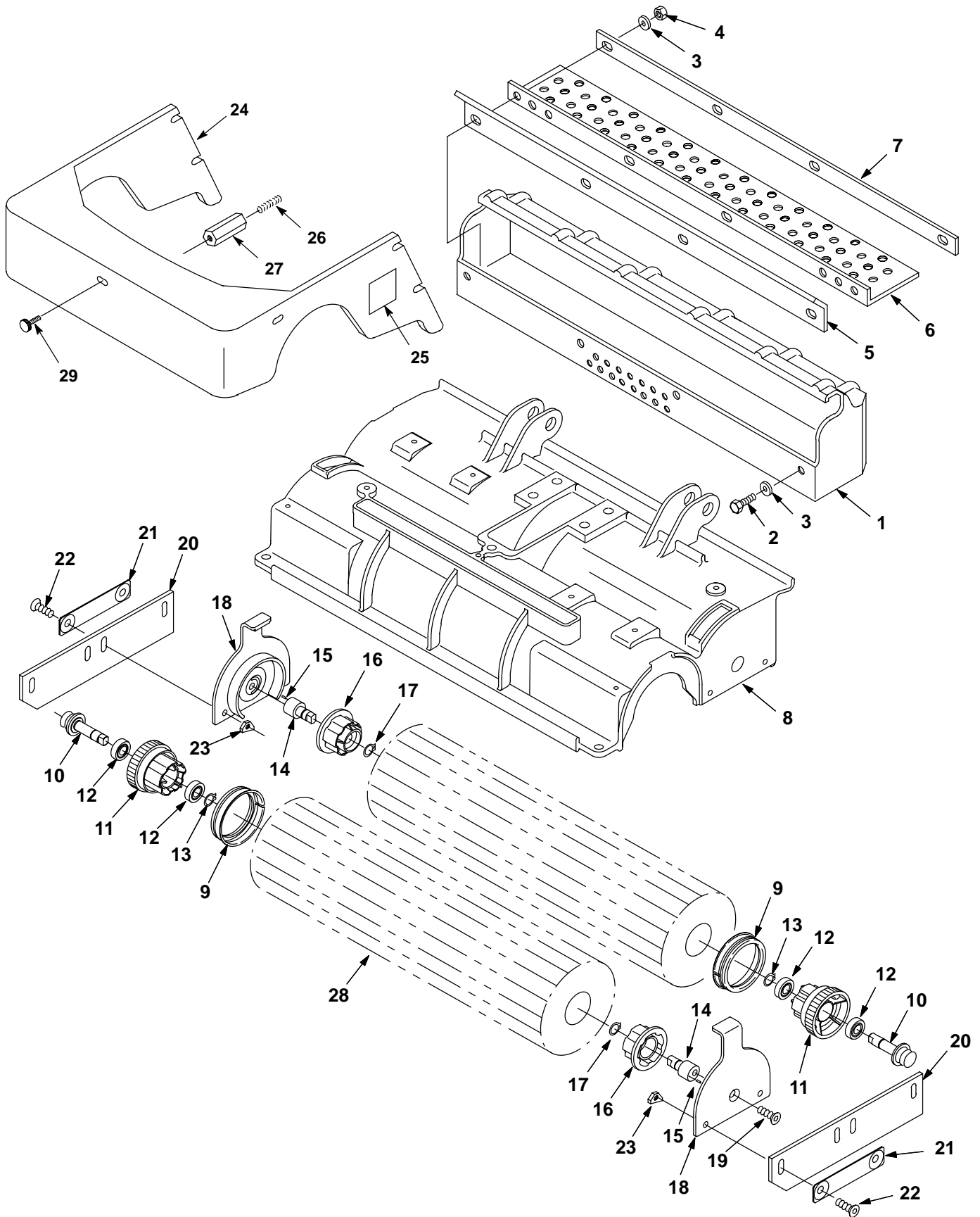
REF	PART #	DESCRIPTION	QTY.
1	604980	●MOTOR, 24V, 1500RPM, 23AMP	2
2	608473	●SKIRT, SIDE CYL. SCRUBHEAD	2
3	223563	SHIELD, BELT	2
4	222202	●SPROCKET, DRIVE	2
5	222818	●SCREW, SET 8-32 X .25 NYLON	4
6	222201	●BELT, DRIVE COGGED	2
7	223560	GUARD, BELT RH	1
8	223561	GUARD, BELT LH	1
9	140272	SCREW, M6X1X16 HEX	4
10	200662017	WASHER, LOCK 6.4ID	4
11	140000	WASHER, FLAT .25 SS	4
12	200160017	NUT, M 8 HEX LOCK	4
13	200370019	WASHER, LOCK, 8.41ID	4
14	222209	SPRING, DOOR	2
15	200031488	SCREW, M8 X 1.25X20MM HEX	4
16	606533	BRACKET, MOUNTING, MOTOR	2
17	200031488	SCREW, M8 X 1.25X20MM HEX	4
18	130773	WIRE TIE	4
19	606795	●HARNESS, MOTOR	2
20	607805	BRACKET, CYL-HEAD, LH	1
21	607804	BRACKET, CYL-HEAD, RH	1
22	200031488	SCREW, M8 X 1.25X20MM HEX	3
23	200370019	WASHER, LOCK 8.41ID	4
24	14880.5	WASHER, FLAT 5/16	4
25	606672	SCRUBBER HEAD, CYL BRUSH, 610MM (24 IN)	1
26	222179	BRACKET, ROLLER	2
27	200031488	SCREW, M8X1.25X20MM HEX	2
28	222178	●ROLLER, WALL	2
29	222196	PIN, CLEVIS, .5 DIA, 4.25 LG	2
30	578421	PIN, COTTER, 1/8X1	2
31	608963	BOOT, TERMINAL RED	2
32	608964	BOOT, TERMINAL BLACK	2
33	223568	●DEFLECTOR, WATER	2

REF	PART #	DESCRIPTION	QTY.
34	140272	SCREW, M6X1X16 HEX	4
35	222182	●BAR, SUPPORT	4
36	74077	SCREW, FLAT M8X1.25X25MM	4
37	223566	●BRACKET, SHIELD	2
38	223569	●GASKET, SHIELD	2
39	606569	BRACKET, T-FITTING, SCRUBHEAD	1
40	222536	●TEE, FITTING, BARB	1
41	608176	●HOSE, REINFORCED 1/2ID	1
42	606674	●CONNECTOR, UNION .5X.5	1
43	200031488	SCREW, M8X1.25X20MM	1
44	200370019	WASHER, LOCK INT 8.41ID	1
45	14880.5	WASHER, FLAT 5/16	1
46	605050	SCREW, 3/8-16X2.75	1
47	140022	WASHER, LOCK 3/8	1
48	140046	WASHER, 1.00X.392X0.90	1
49	00954	●KEY, SQUARE, .12X.12X1.0LG	2
50	630447	●WASHER, NYLON, 12.7, 25.4	2
51	200370019	WASHER, LOCK, 8.41ID	2
52	200662017	WASHER, LOCK, 6.4ID	4
53	140000	WASHER, 1/4 FLAT	4
54	3147	●NUT, HEAVY HEX JAM 5/8-11	1
55	606548	●STUD, ADJUSTER	1
56	200031499	SCREW, M8X1.25X40	1
57	140314	CLAMP, CABLE INSULATED 3/4ID	1
58	069767163	SPACER, 1X.75	1
59	578717	SCREW, M8X1.25X50	2
60	200640017	NUT, M8 HEX	2
61	14880.5	WASHER, FLAT 5/16	4
62	069760082	WASHER, PLAIN .25" WIDE	4
63	200370019	WASHER, LOCK INT 8.4ID	4
64	14880.5	WASHER, FLAT 5/16	2
65	604317	●ELBOW, 90° 1/2" ID	1
66	606225	●HOSE, 1/2" ID	1

● RECOMMENDED STOCK ITEMS

PARTS LIST

CYLINDRICAL BRUSH SCRUB HEAD GROUP, 610mm (24 in) - CONT.



CYLINDRICAL BRUSH SCRUB HEAD GROUP, 610mm (24 in) - CONT.

REF	PART #	DESCRIPTION	QTY.
1	608167	HOPPER, DRBRIS, 610MM (24 IN)	1
2	609010	SCREW, M6X1X25MM	4
3	140000	WASHER, 1/4 FLAT	8
4	140284	NUT, M6X1 NYLOCK	4
5	606657	LIP, HOPPER DEBRIS, 610MM (24 IN)	1
6	222669	SKIRT, HOPPER DEBRIS, 610MM (24 IN)	1
7	606656	STRIP, RETAINING, HOPPER, 610MM (24 IN)	1
8	606672	●SCRUBBER HEAD, CYLINDRICAL BRUSH 610 MM (24 IN)	1
9	222820	●SEAL, RING	2
∇	222751	●PLUG, DRIVE ASM	2
▲10	222176	●SHAFT, DRIVE PLUG	2
▲11	222062	●PLUG, BRUSH DRIVE	2
▲12	41360	●BEARING, BALL,0.59B 1.26D 0.35W	4
▲13	01516	●RING, RETAIN,EX,0.59OD,BASIC	2
∇	222752	●PLUG, IDLER ASM	2
▲14	222177	●SHAFT, IDLER PLUG	2
▲15	222184	●PIN, ROLL	2

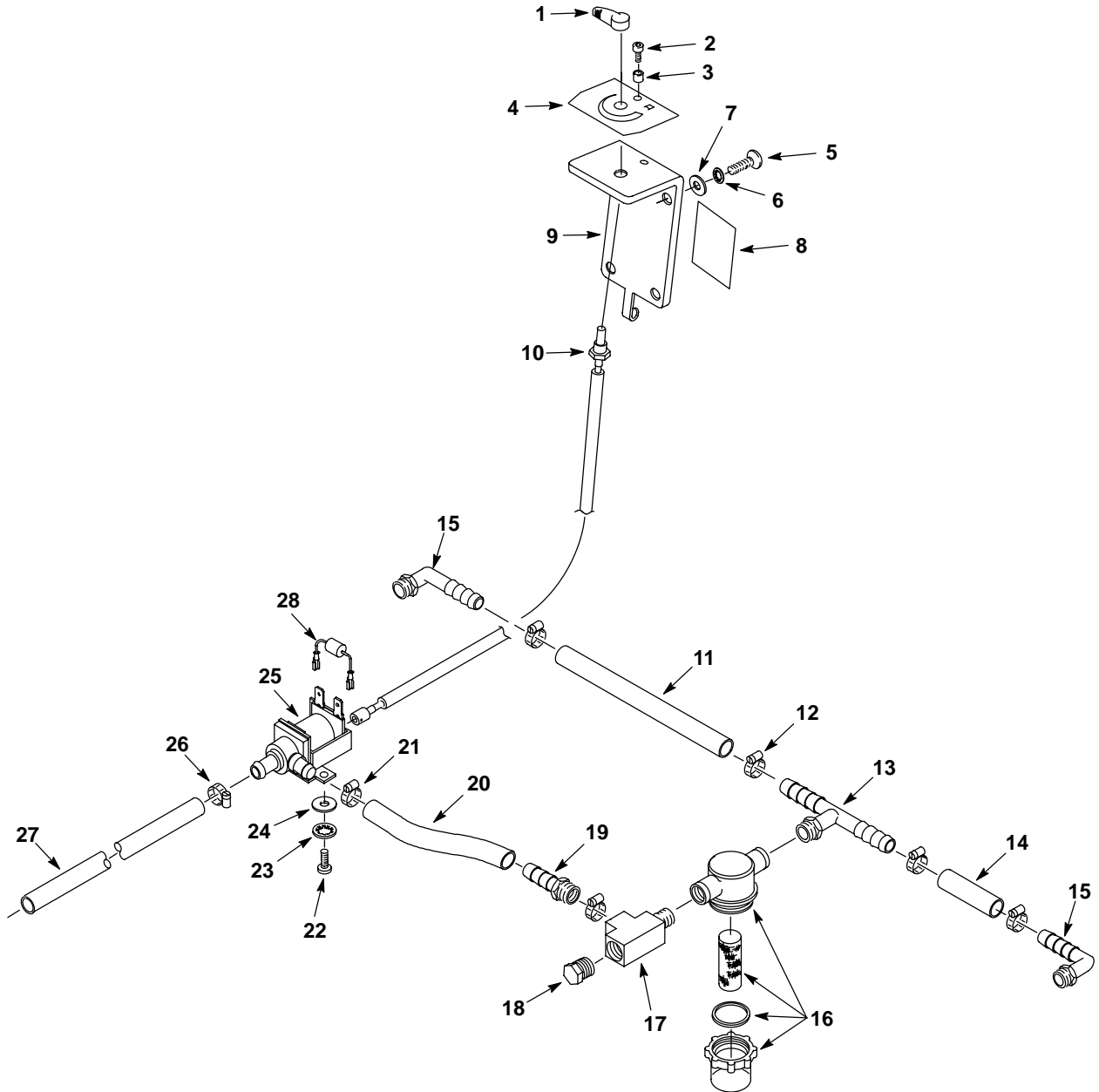
REF	PART #	DESCRIPTION	QTY.
▲16	379202	●PLUG, BRUSH	2
▲17	01516	●RING, RETAIN, EX,0.59OD	2
18	369460	●DOOR, BRUSH	2
19	04373	●SCREW, FLAT, M10-1.5, 10.9	2
20	608473	●SKIRT, SCRUB HEAD, SIDE	2
21	222182	●BAR, SUPPORT	4
22	74077	●SCREW, FLAT M8-1.25X25	4
23	607256	●NUT, RETAINER, SKIRT	4
24	607992	SHROUD, CYLINDRICAL BRUSH	1
25	578769	DECAL, MOVING PARTS	2
26	200251444	●SCREW, SET M6X30MM	1
27	608191	STANDOFF, SHROUD, SCRUBHEAD	1
28	385910	●BRUSH, CYLINDRICAL SOFT NYLON, 610MM (24 IN) (OPTION)	2
	385911	●BRUSH, CYLINDRICAL, POLY, 610MM (24 IN) (OPTION)	2
	385912	●BRUSH, CYLINDRICAL, HEAVY DUTY POLY, 610MM (24 IN) (OPT)	2
	385913	●BRUSH, CYLINDRICAL ABRASIVE GRIT, 610MM (24 IN) (OPTION)	2
29	603012	KNOB, M6	7

∇ ASSEMBLY

▲ INCLUDED IN ASSEMBLY

● RECOMMENDED STOCK ITEMS

SOLUTION FLOW GROUP



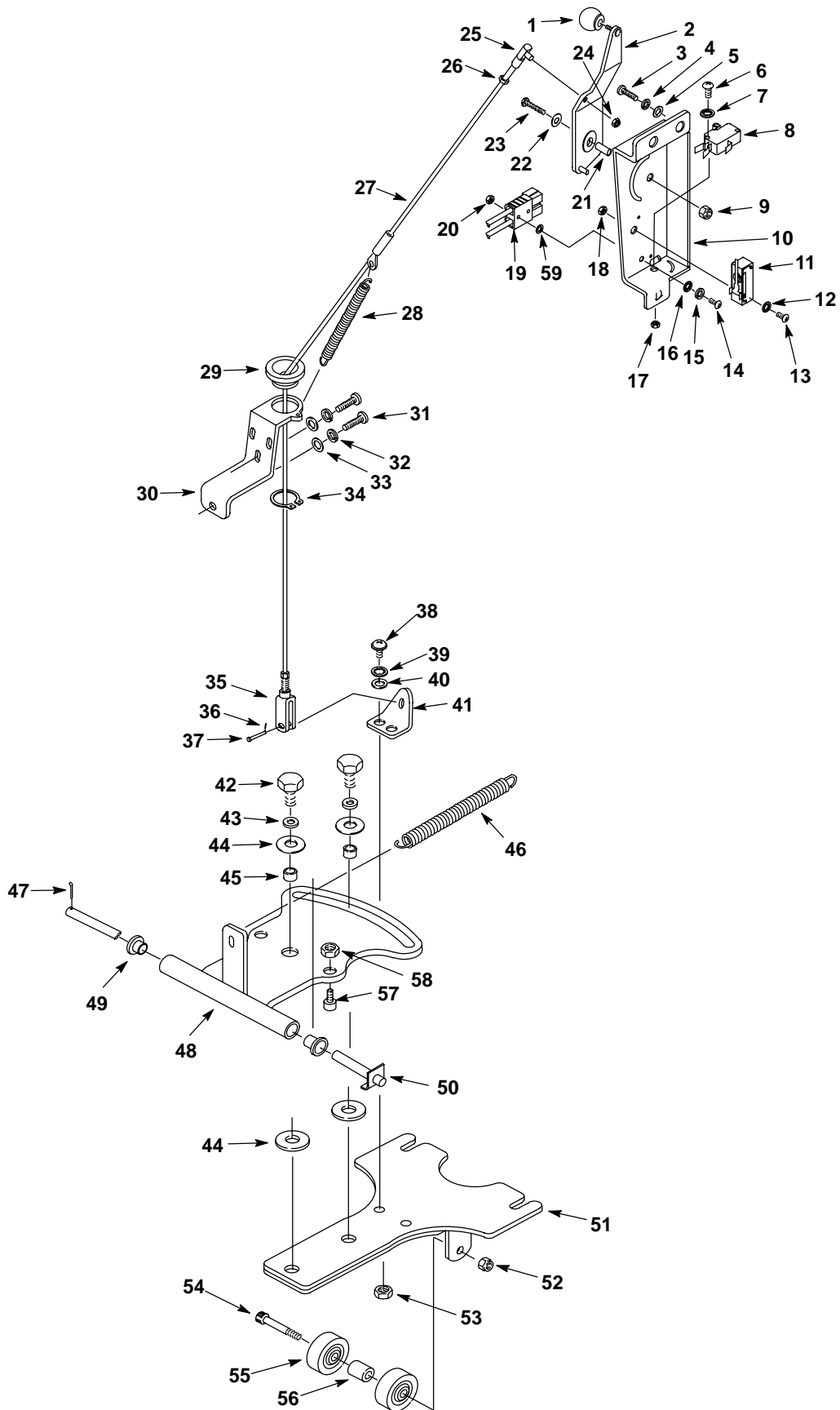
SOLUTION FLOW GROUP

REF	PART #	DESCRIPTION	QTY.
1	630116	●KNOB, VALVE ADJUSTING	1
2	200001343	SCREW, M4X.7X12	1
3	630452	SPACER, 4.3X8.0X5.0	1
4	630233	DECAL, FLOW CONTROL	1
5	578321000	SCREW, M6X1.0X16	4
6	578244000	WASHER, 6.4X10.0 LOCK	4
7	140000	WASHER, 1/4 FLAT	4
8	578729	DECAL, READ MANUAL	1
9	606061	BRACKET, SOLUTION FLOW KNOB	1
10	606053	●CABLE, SOLUTION FLOW	1
11	069760725	HOSE, SOLUTION 1/2IDX3.25"	1
12	140310	CLAMP, HOSE	4
13	605046	FITTING, TEE	1
14	069760726	HOSE, 0.5ID X 225MM	1

REF	PART #	DESCRIPTION	QTY.
15	578039000	FITTING, 3/8MX1/2H ELBOW	2
16	601475	●SCREEN, 40 MESH	1
17	601483	TEE, STREET 3/8 NPT	1
18	630146	PLUG, 3/8"NPT, NYLON	1
19	14884	FITTING, 3/8MX1/2H	1
20	069760725	HOSE, SOLUTION 1/2IDX3.25"	1
21	140310	CLAMP, HOSE	2
22	578321000	SCREW, M6X1.0X16	2
23	578244000	WASHER, 6.4X10.0 LOCK	2
24	140000	WASHER, 1/4 FLAT	2
25	603310	●VALVE, SOLENOID 24VDC	1
26	140310	CLAMP, HOSE 5/16-7/8	1
27	606887	HOSE, 1/2 ID X 20.5"	1
28	607394	ASM, DIODE	1

● RECOMMENDED STOCK ITEMS

SQUEEGEE CONTROL GROUP



SQUEEGEE CONTROL GROUP

REF	PART #	DESCRIPTION	QTY.
1	601425	●KNOB, SQUEEGEE LEVER	1
2	605048	LEVER, SQUEEGEE	1
3	200031488	SCREW, M8X1.25X20	1
4	200370019	WASHER, LOCK INT	1
5	14880.5	WASHER, 5/16 FLAT	1
6	579213	SCREW, M3X.5X20	1
7	601127000	WASHER, FLAT	1
8	600437	●SWITCH, ROLLER 15A	1
9	200160017	NUT, M8	1
10	605049	BRACKET, SQUEEGEE LEVER	1
11	069764009	●SWITCH, SNAP 25A LEVER	1
12	140026	WASHER, #6 FLAT	1
13	140829	SCREW, 6-32X1	1
14	140829	SCREW, 6-32X1	2
15	140026	WASHER, #6 FLAT	2
16	140019	WASHER, #6 EXT	2
17	579211	NUT, M3	1
18	140066	NUT, 6-32	1
19	27833	●CONNECTOR, RED 50A WO/ CONTACTS	1
20	140066	NUT, 6-32	2
21	069760417	●SLEEVE	1
22	25732	WASHER, 1.25X.359X.093 FLAT	1
23	200031494	SCREW, M8X1.25X30	1
24	630268	NUT, 1/4-28	1
25	069760371	●BALL JOINT	1
26	607953	NUT, 1/4-28	1
27	605051	●CABLE, SQUEEGEE LIFT	1
28	605063	●SPRING, SQUEEGEE LEVER	1
29	621235	●BUSHING, CABLE	1

REF	PART #	DESCRIPTION	QTY.
30	606012	BRACKET, CABLE GUIDE	1
31	578321000	SCREW, M6X1.0X16	3
32	578244000	WASHER, 6.4X10.0 LOCK	3
33	140000	WASHER, 1/4 FLAT	3
34	621236000	●RING, RETAINING	1
35	605068	●YOKE, ADJUSTMENT	1
36	14183.8	●PIN, COTTER	1
37	605070	●PIN, CLEVIS	1
38	578321000	SCREW, M6X1.0X16	2
39	578244000	WASHER, 6.4X10.0 LOCK	2
40	140000	WASHER, 1/4 FLAT	2
41	605066	BRACKET, SQUEEGEE CABLE	1
42	140237	SCREW, 1/2-13 X 1	2
43	140024	WASHER, 1/2 LOCK	2
44	140045	WASHER, .510X1.25X.06 FLT	4
45	140139	BUSHING, BRUSH LIFT PEDAL	2
46	140423	●SPRING, BRUSH PRESSURE	1
47	578421	PIN, COTTER	1
▽48	610206	BRACKET, SQUEEGEE PIVOT	1
▲49	606058	●BEARING, FLANGE	2
50	606057	PIN, HEADLESS	1
51	610205	BRACKET, SQUEEGEE MOUNT	1
52	601108000	NUT, HEX LOCK	1
53	630268	NUT, 1/4-28	2
54	603144	SCREW, SHOULDER	1
55	630477	●WHEEL	2
56	603368	●SPACER	1
57	600506	*BOLT, M10X25MM	2
58	200160018	*NUT, HEX LOCK, M10	2
59	140011	WASHER, 3/16 FLAT	2

▽ ASSEMBLY

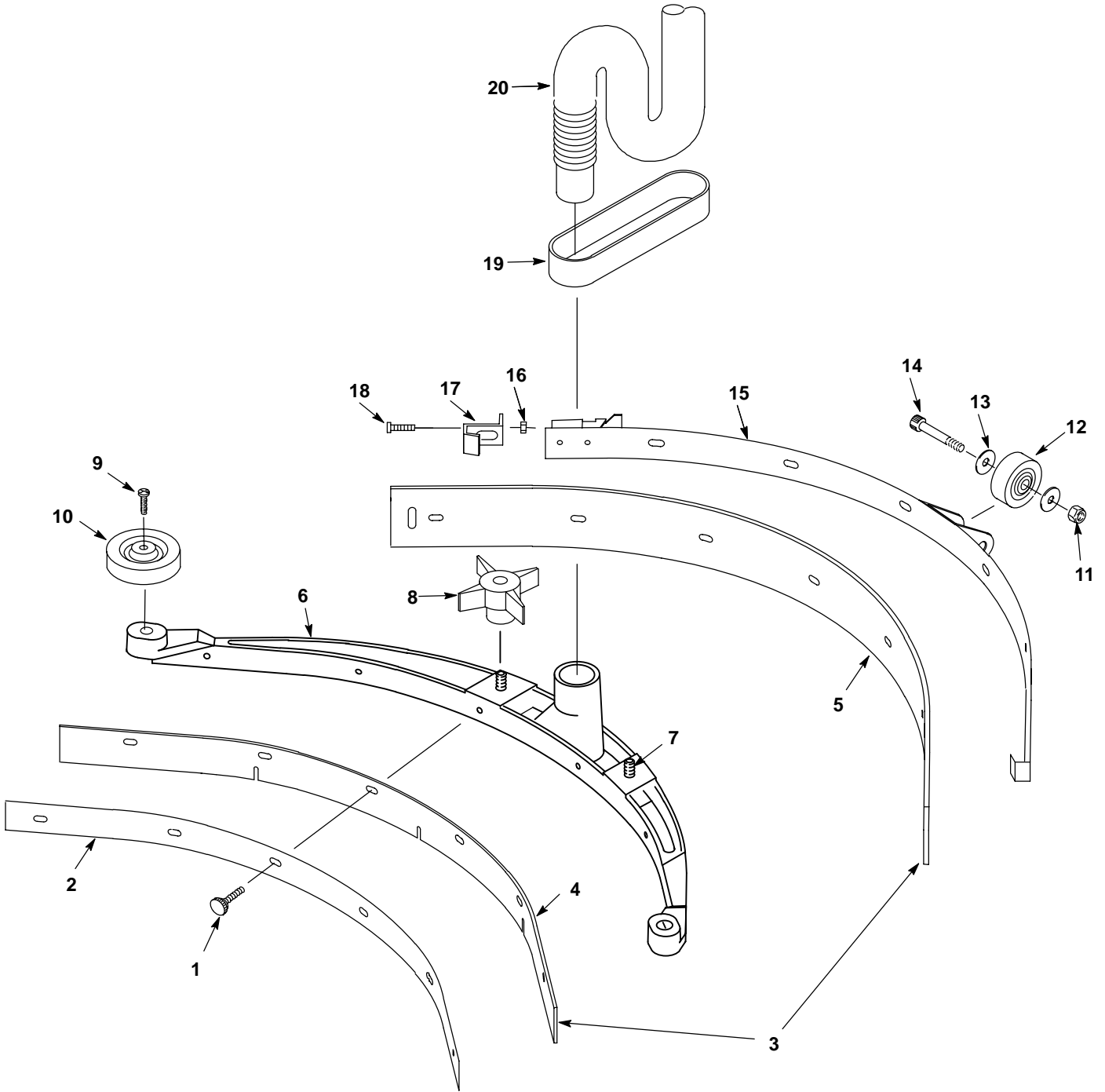
▲ INCLUDED IN ASSEMBLY

● RECOMMENDED STOCK ITEMS

* HARDWARE REQUIRED FOR CYLINDRICAL BRUSH MODEL ONLY.

PARTS LIST

STANDARD SQUEEGEE GROUP, 826mm (32.5 in)



STANDARD SQUEEGEE GROUP, 826mm (32.5 in)

REF	PART #	DESCRIPTION	QTY.
1	603012	●KNOB, FRONT SQUEEGEE	6
2	605034	RETAINER, FRONT STRIP	1
∇3	606758	●KIT, LINATEX BLADES (OPTION)	1
▲4	605030	●BLADE, FRONT SQG LINATEX (STANDARD)	1
▲5	605029	●BLADE, REAR SQG. LINATEX (STANDARD)	1
∇3	606757	●KIT, GUM BLADES (OPTION)	1
▲4	605028	●BLADE, FRONT SQG GUM (OPT)	1
▲5	605027	●BLADE, REAR SQG. GUM (OPTION)	1
∇3	606759	●KIT, URETHANE BLADES (OPTION)	1
▲4	605032	●BLADE, FRONT SQG URETHANE (OPTION)	1
▲5	605031	●BLADE, REAR SQG. URETHANE (OPTION)	1
6	605026	CASTING, SQUEEGEE	1

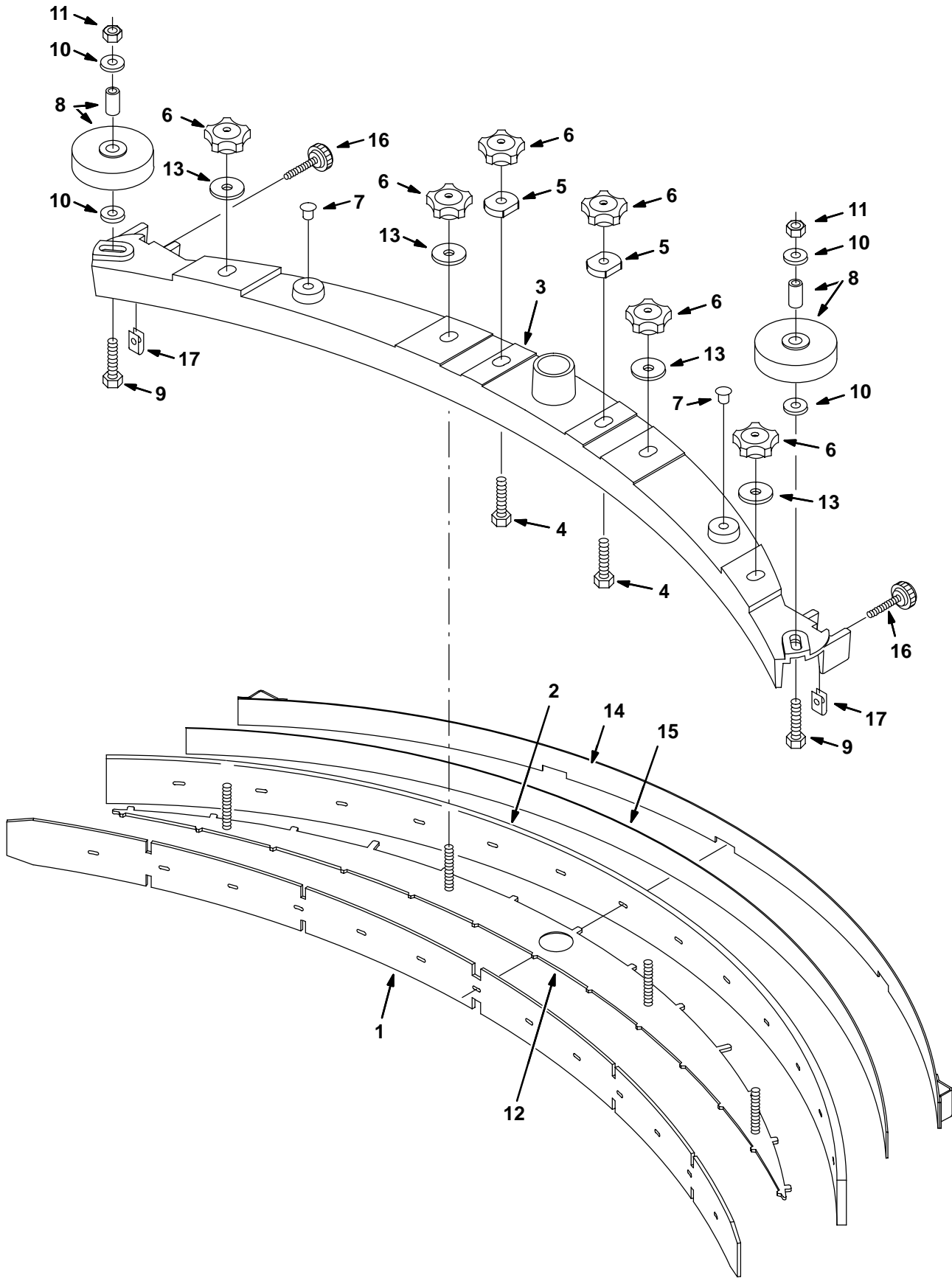
REF	PART #	DESCRIPTION	QTY.
7	140799	SCREW, 5/16-18X1-1/2	2
8	370100	●KNOB, 5/16	2
9	140799	SCREW, 5/16-18X1-1/2	2
10	630450	WHEEL, 76 DIA X 22	2
11	601108000	NUT, HEX LOCK, .31-18	1
12	630477	●WHEEL	1
13	140028	WASHER, 3/8 FLAT	2
14	600187	SCREW, SHOULDER, 3/8 X 1 1/4	1
15	605033	SQUEEGEE, BAND ASM REAR	1
16	140283	NUT, M5X.8 NYLOCK	1
17	605069	CLIP, SQUEEGEE BAND	1
18	630389	SCREW, M5 .8X45MM	1
19	630333	●STRAP, SQUEEGEE HOSE	1
20	605041	●HOSE, SQUEEGEE	1

∇ ASSEMBLY

▲ INCLUDED IN ASSEMBLY

● RECOMMENDED STOCK ITEMS

SQUEEGEE ASSEMBLY GROUP – EXTRA WIDE, 940 mm (37 in)



SQUEEGEE ASSEMBLY GROUP – EXTRA WIDE, 940 mm (37 in)

REF	PART #	DESCRIPTION	QTY.
▽	609154	SQUEEGEE ASSEMBLY, EX-WIDE, GUM RUBBER	1
▲▽	609114	KIT, GUM RUBBER/LINATEX BLADES	1
▲1	222381	BLADE, FRONT 28" LINATEX	1
▲2	609056	BLADE, REAR EX-WIDE GUM RUB	1
▽	609155	SQUEEGEE ASSEMBLY, EX-WIDE, LINATEX	1
▲▽	609115	KIT, LINATEX BLADES	1
▲1	222381	BLADE, FRONT 28" LINATEX	1
▲2	609055	BLADE, REAR EX-WIDE LINATEX	1
▽	609156	SQUEEGEE ASSEMBLY, EX-WIDE, URETHANE	1
▲▽	609116	KIT, URETHANE BLADES	1
▲1	222391	BLADE, FRONT 28" URETHANE	1
▲2	609057	BLADE, REAR EX-WIDE URETHANE	1
1	222385	BLADE, FRONT 28" GUM RUBBER (FOR GROUTED TILE FLOOR)	1
▲3	609031	CASTING, SQUEEGEE EX-WIDE	1

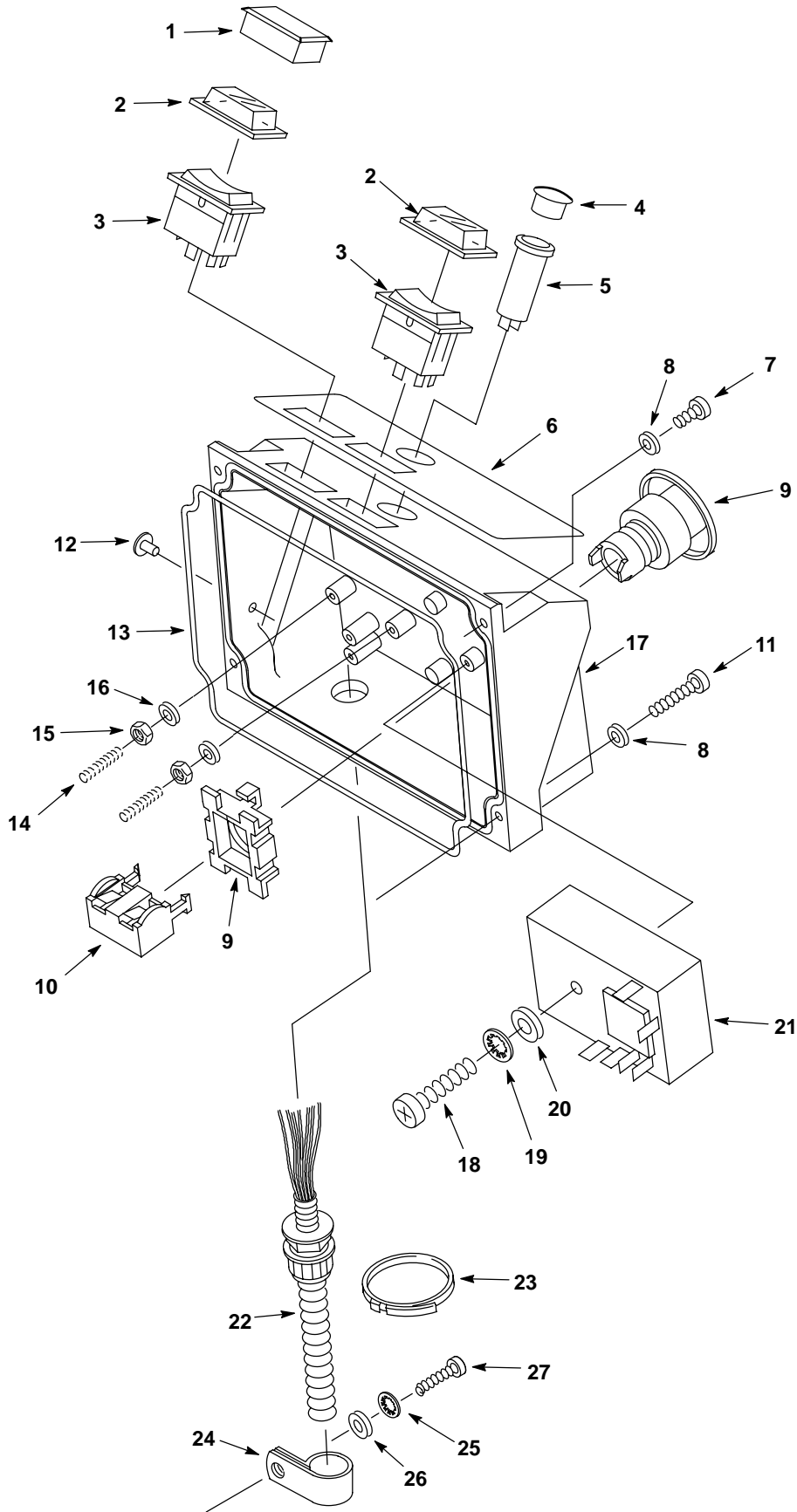
REF	PART #	DESCRIPTION	QTY.
▲4	140799	SCREW, 5/16-18X1-1/2	2
▲5	608889	SPACER, SQUEEGEE 28"	2
▲6	605361	KNOB, 5/16-18	6
▲7	130164	PLUG, DOME 3/8"	2
▲8	630450	WHEEL, 76 DIA X 22	2
▲9	621 286 000	SCREW, M8X1.25X45	2
▲10	140027	WASHER, 5/16 FLAT	4
▲11	200 160 017	NUT, M8	2
▲12	222368	PLATE, BLADE RETAINER 28"	1
▲13	140055	WASHER, .343X1.25X.051-.080	4
▲14	222378	BAND WELDMENT, SQUEEGEE BLADE 28"	1
▲15	609110	SPACER, SQUEEGEE EX-WIDE	1
▲16	222794	KNOB, 1/4-20X1-1/2	2
▲17	82138	NUT, SPEED RETAINER .25-20	2

▽ ASSEMBLY

▲ INCLUDED IN ASSEMBLY

● RECOMMENDED STOCK ITEMS

ACCESSORY CONSOLE GROUP



ACCESSORY CONSOLE GROUP

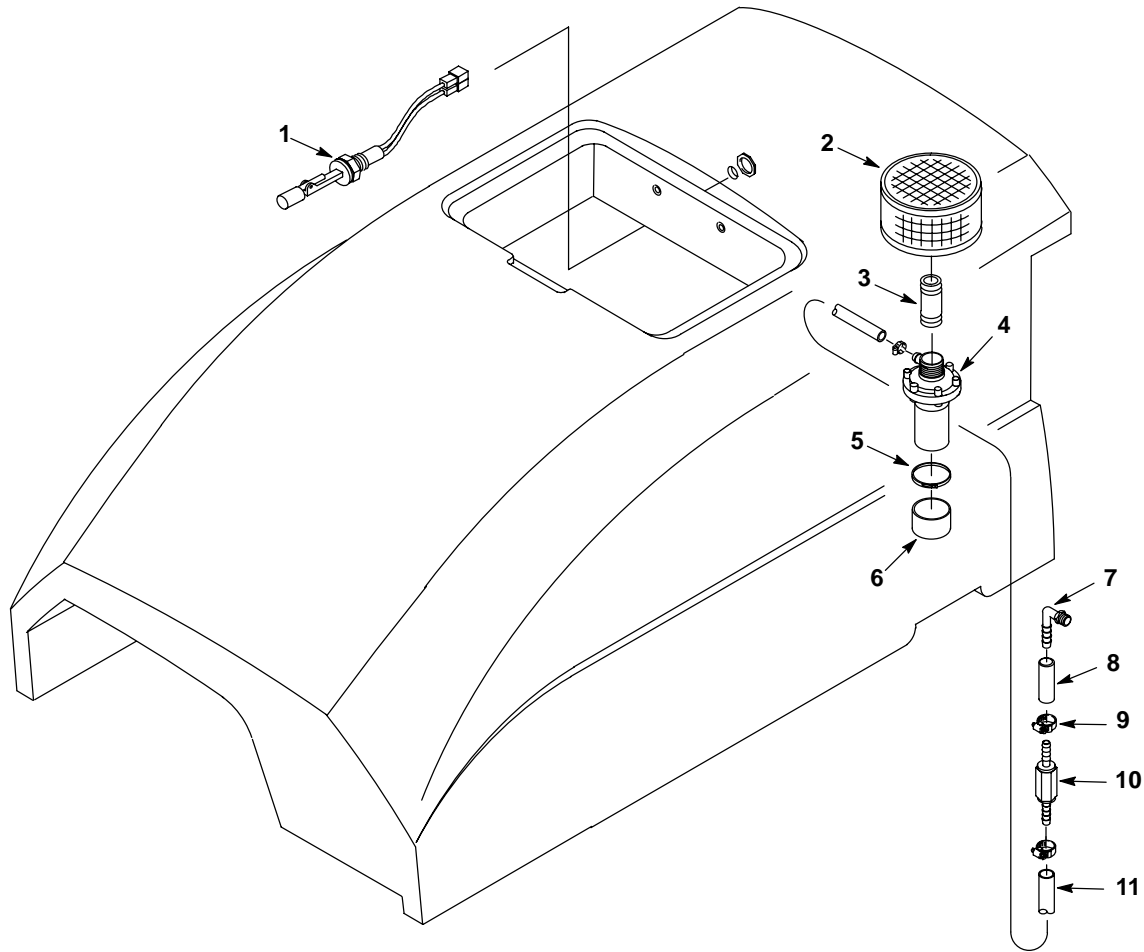
REF	PART #	DESCRIPTION	QTY.
	606762	●KIT, EMERGENCY STOP	1
	606763	●KIT, ES™/EMERGENCY STOP	1
	606764	●KIT, EMERGENCY STOP/WAND PUMP	1
	606765	●KIT, ES™/WAND PUMP/EMERG. STOP	1
	609099	●KIT, WAND PUMP ADD-ON	1
1	582150	●PLUG, ACCESSORY SWITCH	1
2	578720	●SPASHGUARD, ROCKER SWITCH	2
3	630419	●SWITCH, ROCKER, SPST, 24VDC	2
4	069764626	●PLUG	1
5	630142	●LIGHT, PILOT 24V	1
6	606522	DECAL, ES™/WAND CONSOLE	1
7	140287	SCREW, MC M4X0.7X16MM	2
8	140023	WASHER, #8 INT	4
9	630100	●SWITCH, PUSHBUTTON E-STOP	1
10	630097	●SWITCH, CONTACT BLOCK	1
11	200070354	SCREW, M4X.7X30	2
12	578852	RIVET, SNAP	1

REF	PART #	DESCRIPTION	QTY.
13	630442	O-RING	1
14	601271	SCREW, M4X.7X1.00	2
15	200102014	NUT, M4X.7	2
16	140023	WASHER, #8 INT	2
17	630140	CONSOLE, OPTIONS	1
18	630334	SCREW, #6X1-3/8	1
19	140023	WASHER, #8 INT	1
20	140026	WASHER, #6 FLAT	1
21	630145	●TIMER, 24VDC RANGE:30SEC	1
22	606736	HARNESS, ES™ WIRE	1
23	130773	WIRE TIE, 6/64 X 11" BLACK	1
24	606727	CLAMP, 5/8 DIA	1
25	200370019	WASHER, LOCK,	1
26	140023	WASHER, 5/16 FLAT	1
27	579259	SCREW, M4X.7X12	1
N/S	606734	HARNESS, E-STOP WIRE	1
N/S	606735	HARNESS, WAND PUMP WIRE	1
N/S	606736	HARNESS, ES™ PUMP	1

● RECOMMENDED STOCK ITEMS

N/S NOT SHOWN

ES™ SOLUTION GROUP

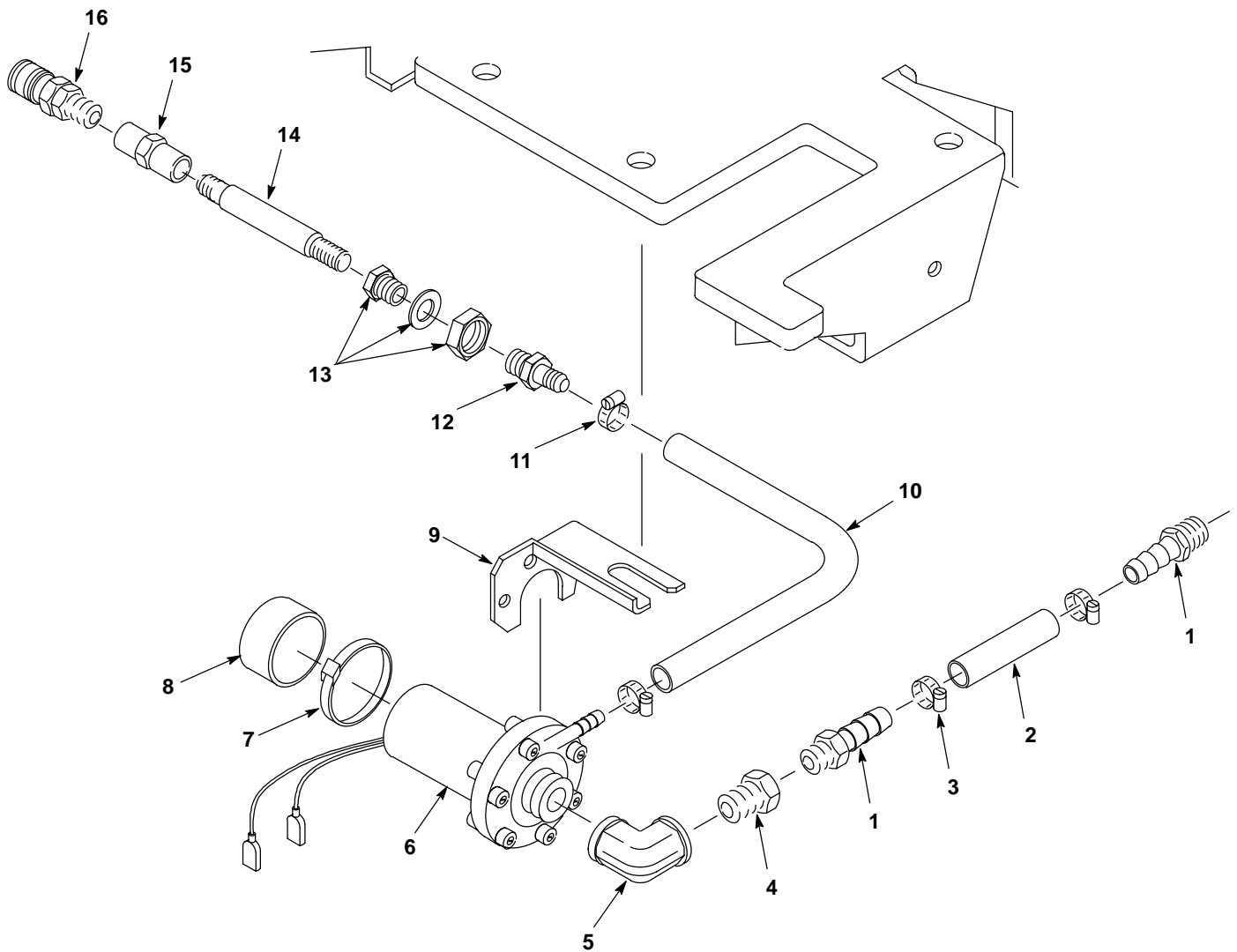


REF	PART #	DESCRIPTION	QTY.
1	603166	●SWITCH, LIQUID LEVEL	1
2	630138	●FILTER, SCREEN 100 MESH	1
3	605065	NIPPLE, PVC 3/4 NPT X 3"	1
4	630136	●PUMP, 24VDC	1
5	130041	WIRE TIE, NYLON 11-1/2 X .19	1
6	605064	●CAP, VINYL BLACK 1.375 DIA	1

REF	PART #	DESCRIPTION	QTY.
7	150412	FITTING, 3/8MX3/8	1
8	630439	HOSE, 2.5"	1
9	140310	CLAMP, HOSE 5/16-7/8	2
10	210044	●VALVE, CHECK 3/8 X 3/8	1
11	607102	TUBING, 5/8ODX3/8IDX2.5FT	1

● RECOMMENDED STOCK ITEMS

WAND SOLUTION GROUP



REF	PART #	DESCRIPTION	QTY.
1	150538	FITTING, 3/8MX3/8H	2
2	606363	HOSE, 3/8ID X 13"	1
3	140310	CLAMP, HOSE 5/16-7/8	2
4	630252	FITTING, 3/4MX3/8	1
5	630251	FITTING, ELBOW 90	1
6	630136	●PUMP, WAND 24VDC	1
7	130041	WIRE TIE, NYLON 11-1/2 X .19	1
8	605064	●CAP, VINYL BLACK 1.375 DIA	1

REF	PART #	DESCRIPTION	QTY.
9	606104	BRACKET, WAND PUMP	1
10	607103	TUBING, 5/8ODX3/8IDX1.25FT	1
11	140310	CLAMP, HOSE 5/16-7/8	2
12	150516	FITTING, 1/4MX3/8	1
13	150300	CONNECTOR, ANCHOR 1/4	1
14	579214	NIPPLE, .25 X 2.5" BRASS	1
15	150302	FITTING, 1/4FX1/4F, COUPLNG	1
16	575520000	QUICK CONN, FEMALE, 3/8"X1/4"	1

● RECOMMENDED STOCK ITEMS

HARD FLOOR WAND ASSEMBLY

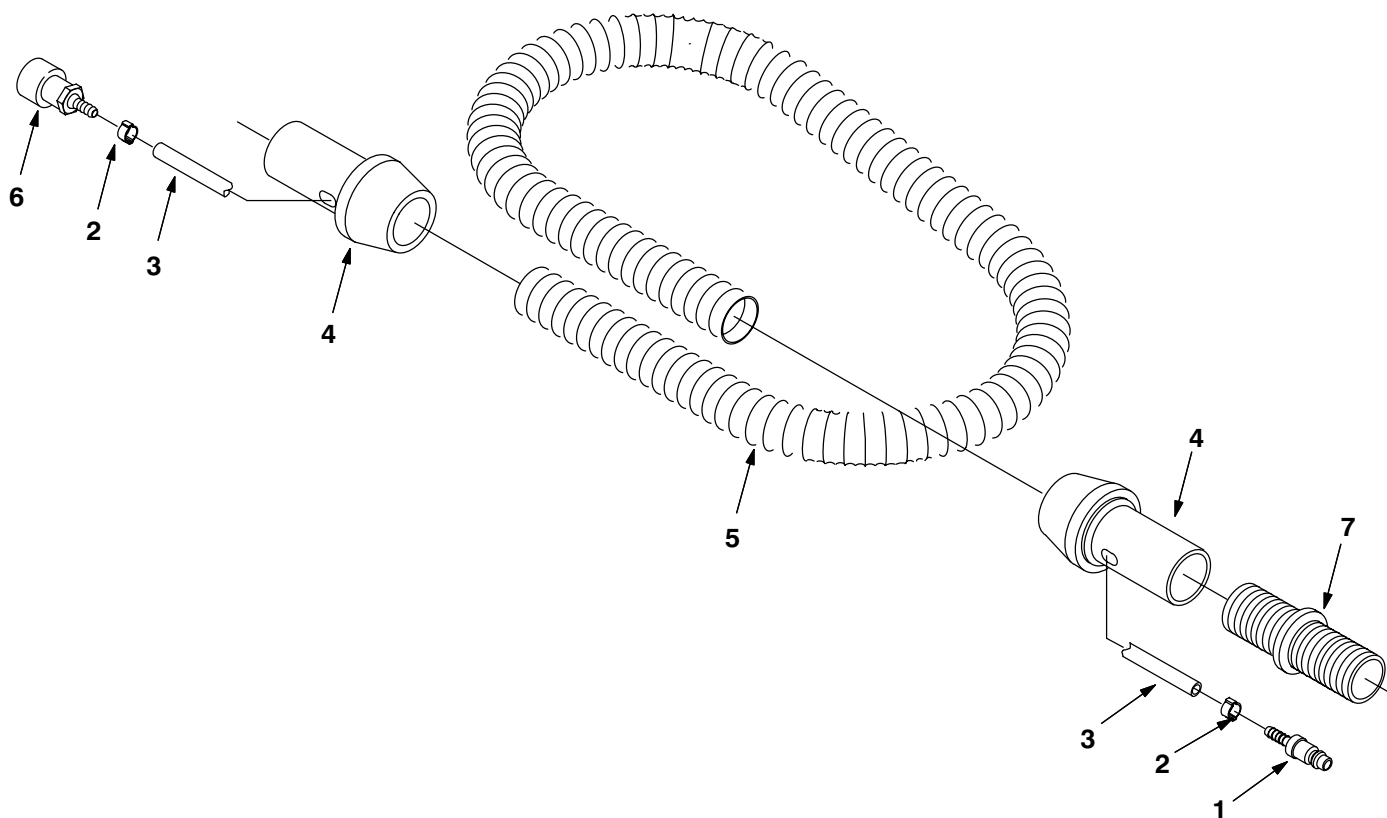
REF	PART #	DESCRIPTION	QTY.
▽	65340	WAND ASSEMBLY DOUBLE BEND	1
▲1	578060	WAND, DOUBLE BEND, DIA 38.1MM	1
▲2	578077	BRACKET, VALVE MNT, WAND	1
▲3	578061	ADAPTER, HEAD/WAND	2
▲4	578214	FITTING, ELBOW, 0.25"H, 0.12"NPT	1
▲5	578067	ADAPTER, SPRAY NOZZLE	1
▲6	602036	RIVET, POP .156, .312, .384	2
▲7	578066	SPRAY NOZZLE, .125" NPT, 75 DEG.	1
▲8	65610	BRUSH, DECK POLYPRO BLOCK	1
▲9	578063	HEAD, WAND	1
▲10	578078	RETAINER, SQUEEGEE WAND	2
▲11	578074	BLADE, SQUEEGEE WAND	2
▲12	578124	BRACKET, AXLE 1-HOLE	1
▲13	578439	NUT, THUMB M06 X DIA 30MM	1
▲14	578228	SPRING, COMPRESSION	1

REF	PART #	DESCRIPTION	QTY.
▲15	578143	STUD, ADJUST. M6, 40MM LG.	1
▲16	578126	AXLE, WAND	1
▲17	578125	WHEEL, GUIDE WAND	2
▲18	578123	BRACKET, AXLE 3-HOLE	1
▲19	578155	HANDLE, WAND	1
▲20	578154	BRACKET, HANDLE WAND	1
▲21	578091	PLUG, M QUICK-CONN 1/4"NPT	1
▲22	578164	GROMMET, .38"ID. .62"OD, .06"OW	1
▲23	578821	HOSE, SOLUTION WAND	1
▲24	578161	CLAMP, HOSE 8-11MM CRIMP	1
▲25	578094	1/4 HOSEBARB, 1/4NPT M PIPE	1
▲26	578064	VALVE, WATER CONTROL WAND	1
▲27	150208	PLUG, SCKT HD 1/8"	1
28	65582	BRUSH, WAND AB	1

▽ ASSEMBLY

▲ INCLUDED IN ASSEMBLY

HOSE ASSEMBLY



REF	PART #	DESCRIPTION	QTY.
▽	65341	POWER WAND HOSE ASSEMBLY.	1
▲1	578318	FITTING, QUICK CONCT MALE	1
▲2	578160	CLAMP, HOSE 11-13MM	1
▲3	578820	HOSE, .25ID, .44OD, 4.0M LG	1

REF	PART #	DESCRIPTION	QTY.
▲4	578072	CUFF, SWIVEL, 38.1DIA BLK	2
▲5	578276	HOSE, VACUUM, 38.1DX3.05M GRY	1
▲6	578071	CONNECTOR, QUICK CONCT F	1
7	12694	FITTING, PLASTIC	1

▽ ASSEMBLY

▲ INCLUDED IN ASSEMBLY