



Electronic Service Manuals

This electronic document is provided as a service to our customers. We do not create the contents of the information contained in this document. Should you have detailed questions pertaining to the information contained in this document, you may contact Michco, or the manufacturer which provided the original information in this electronic deliverable. Michco's only part in this electronic deliverable was the electronic assembly process. By providing this manual on line we are not guaranteeing parts availability.

You may contact Michco through the following methods:

Phone (517) 484-9312 or (800) 331-3339

2011 N. High St. -- Lansing, Michigan -- 48906

Fax: (517) 484-9836

Email: CustServe@Michco.com

Web site: www.Michco.Com

Parts Web site: www.FloorMachineParts.Com

Order Parts on Line at:

www.FloorMachineParts.Com

Directly to Parts & Service:

By Email: **Shop@Michco.com**

By Fax: (517) 702-2041

By Voice: Use numbers above.

Serving the Cleaning Industry Since 1922

Notice: All copyrighted material remains property of original owners, all trademarks are property of respective owners. Manuals are subject to Manufacturer's reproduction limitations. Originals or reproductions were provided by manufacturers through a request. We make no warranty as to the correctness of information provided in this document and you assume all risk. By placing these manuals on line we are not declaring our corporation to be an manufacturer authorized dealer or provider, please check our web site for authorized manufacturers we represent.

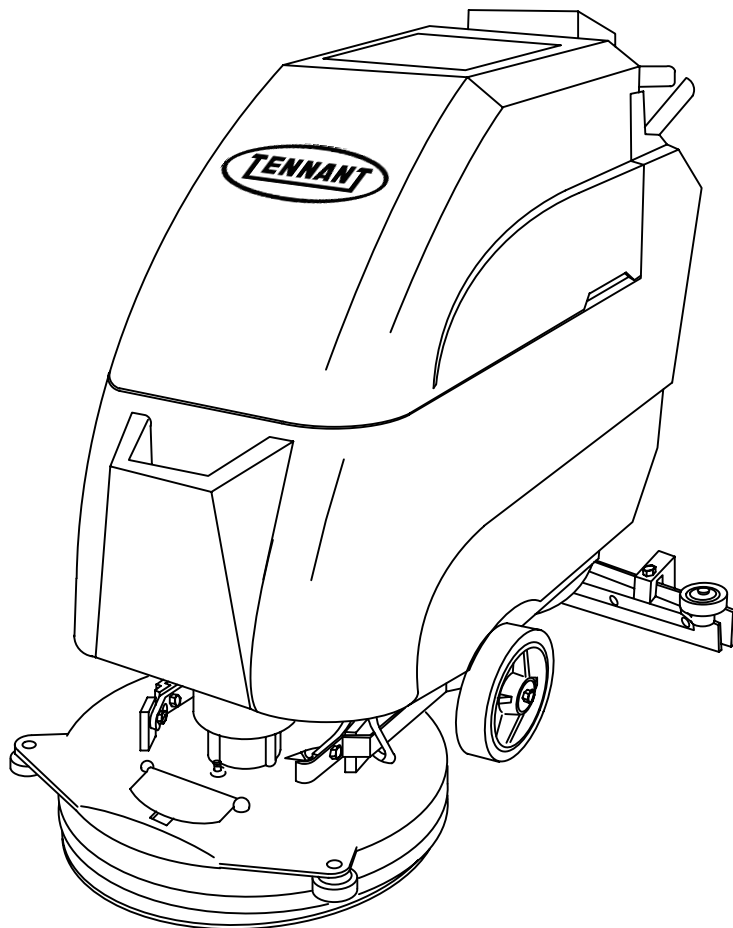


5300

Automatic Scrubber

Model No.:
300000PAC
300000
603053

Operator and Parts Manual



TENNANT COMPANY
Commercial Products
12875 RANSOM STREET
HOLLAND MI 49424 U.S.A.

FAX: 1-800-678-4240
CUSTOMER SERVICE: 1-800-982-7658

173420
Rev. 04 (11-00)

HOW TO ORDER PARTS

PLACING AN ORDER

The components used in this machine have been carefully selected for performance and safety. Use only manufacturer's specified or equivalent parts.

When ordering parts, please furnish all of the following information:

1. Machine serial number - shown on the machine data plate.
2. Company name.
3. Shipping address.
4. Billing address.
5. Name, first and last, of person ordering parts.
6. Telephone number.
7. Purchase order number.
8. Part number, description, and quantity of each item on the order.

Do not order parts by key number or the figure number of the illustrated parts. Indented items indicate parts of assemblies. Standard hardware is furnished only when part of a purchased assembly. Please get hardware from a local hardware supplier.


If the old part cannot be identified, send it to us with the quantity needed specified on the order.

Any claim for loss or damage to a shipment in transit should be filed promptly against the transportation company making the delivery. Shipments will be complete unless the packing list or order acknowledgment indicates items back ordered.

If parts received are suspected to be incorrect or defective, please write, fax, or phone the representative from whom you ordered the part. They will give authorization for return and/or handle replacement shipments when required.

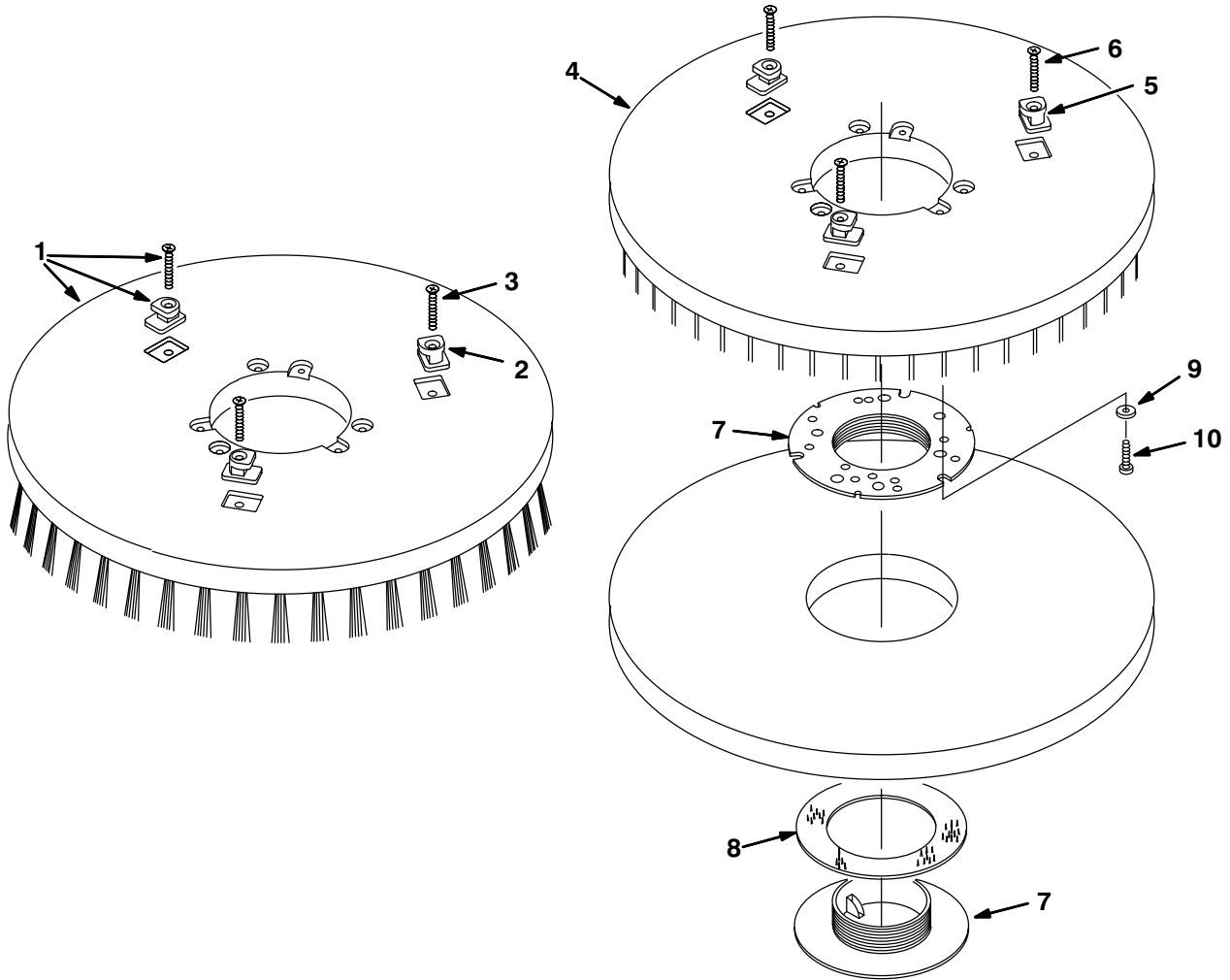
RECOMMENDED STOCK ITEMS

Refer to the Parts List section for recommended stock items. Stock items are clearly identified with a bullet preceding the parts description. See example below:



| Ref. | Part No. | Description |
|------|----------|-----------------|
| 1 | 201183 | ASM_STANDOFF |
| 2 | 188513 | •FLOAT, SKIDOFF |
| 3 | 228187 | NIPPLE |
| 4 | 101714 | •GASKET |
| 5 | 218248 | NUT, FLANGED |

REPLACEMENT BRUSHES AND PAD DRIVER GROUP



| REF | PART # | DESCRIPTION | QTY. |
|-----|--------|-----------------------------|------|
| ∇1 | 222301 | BRUSH ASM, 20" NYLON | 1 |
| ▲2 | 630214 | ●STUD, 20" BRUSH/PAD DRIVER | 3 |
| ▲3 | 140193 | SCREW, M6X1.0X40 | 3 |
| ∇1 | 222300 | BRUSH ASM, 20" POLY | 1 |
| ▲2 | 630214 | ●STUD, 20" BRUSH/PAD DRIVER | 3 |
| ▲3 | 140193 | SCREW, M6X1.0X40 | 3 |
| ∇1 | 222302 | BRUSH ASM, 20" GRIT | 1 |
| ▲2 | 630214 | ●STUD, 20" BRUSH/PAD DRIVER | 3 |
| ▲3 | 140193 | SCREW, M6X1.0X40 | 3 |

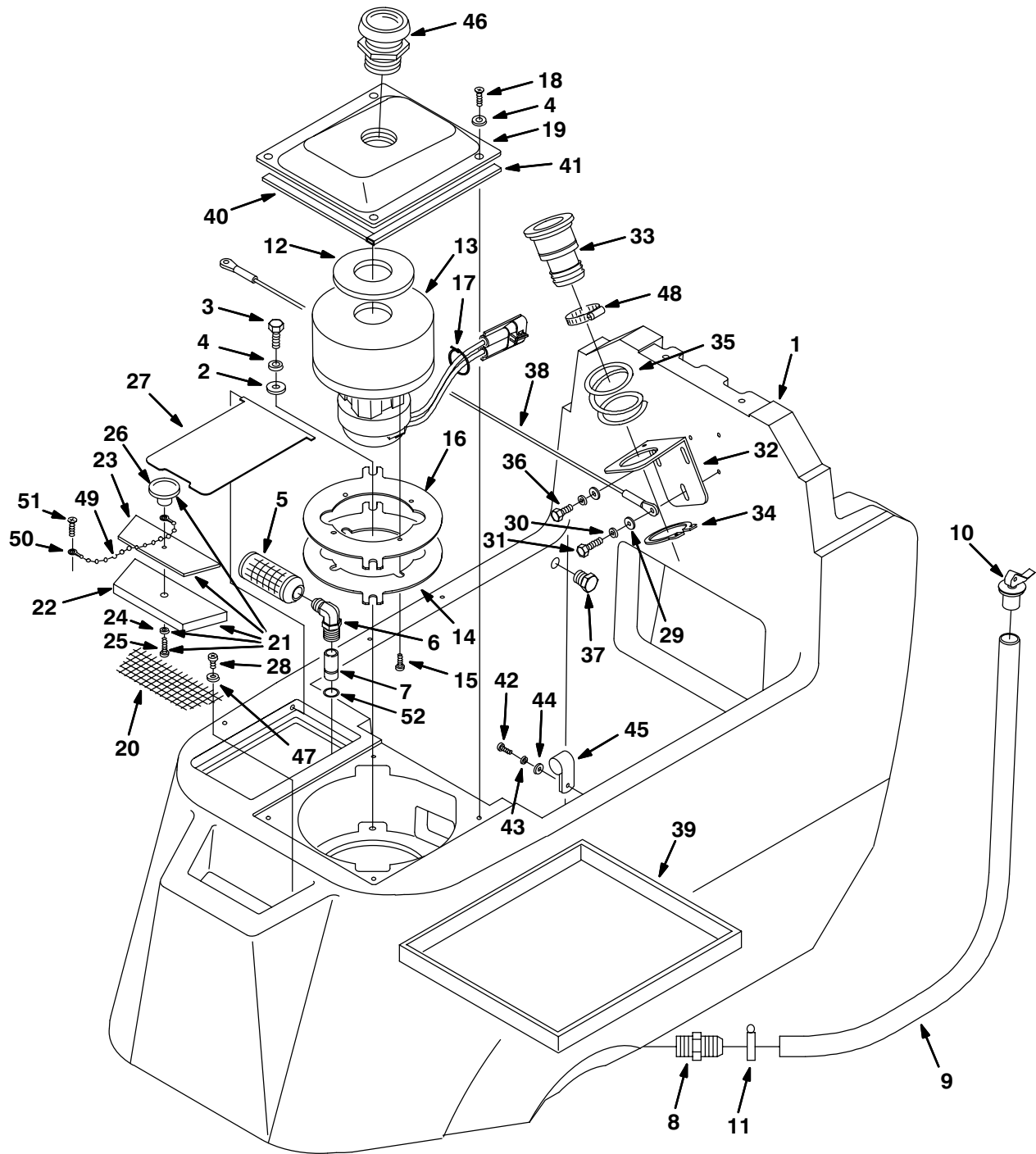
| REF | PART # | DESCRIPTION | QTY. |
|-----|-----------|--------------------------------|------|
| ∇4 | 222303 | ●PAD DRIVER ASM, 20" PLAS BACK | 1 |
| ▲5 | 630214 | ●STUD, 20" BRUSH/PAD DRIVER | 3 |
| ▲6 | 140193 | SCREW, M6X1.0X40 | 3 |
| ▲7 | 630473 | ●CENTER LOCK, PAD RETAINER | 1 |
| ▲8 | 630472 | WASHER, BRUSH PAD RETAINER | 1 |
| ▲9 | 140007 | WASHER, #8 FLAT | 3 |
| ▲10 | 200070351 | SCREW, M4X25 | 3 |

∇ ASSEMBLY

▲ INCLUDED IN ASSEMBLY

● RECOMMENDED STOCK ITEMS

SOLUTION TANK AND VACUUM MOTOR GROUP



SOLUTION TANK AND VACUUM MOTOR GROUP

| REF | PART # | DESCRIPTION | QTY. |
|-----|-----------|-----------------------------|------|
| 1 | 602698 | TANK, SOLUTION, TEAL | 1 |
| 2 | 14880.5 | WASHER, 5/16 FLAT | 2 |
| 3 | 200031488 | SCREW, M8X1.25X20 | 2 |
| 4 | 200370019 | WASHER, M8.4 LOCK | 6 |
| 5 | 630024 | ●FILTER, SCREEN | 1 |
| 6 | 630371 | FITTING, 1/2MX5/8H ELBOW | 1 |
| 7 | 601105 | SPACER, .50X.62X1.62 | 1 |
| 8 | 612146000 | FITTING, 3/4M X 3/4H STRT | 1 |
| 9 | 630018 | HOSE, 3/4ID X 33" | 1 |
| 10 | 630019 | ●PLUG, EXPANSION, 3/4"ID | 1 |
| 11 | 630369 | CLAMP, HOSE .50-1.1" | 1 |
| 12 | 102557 | ●GASKET, VAC MOTOR SEAL | 1 |
| 13 | 607003 | ●MOTOR, VAC 5.7 2-STAGE 24V | 1 |
| | 190163 | ●BRUSH, CARBON 2/PK | 2 |
| 14 | 630013 | GASKET, VAC MOTOR BRACKET | 1 |
| 15 | 140340 | SCREW, #10X5/8 | 4 |
| 16 | 630014 | BRACKET, VAC MOTOR 20" | 1 |
| 17 | 130040 | WIRE TIE, 6"X.12 | 1 |
| 18 | 608322 | SCREW, M6X1.0X16 | 4 |
| 19 | 630015 | COVER, VAC MOTOR 20" | 1 |
| 20 | 630006 | FILTER SCREEN | 1 |
| ∇21 | 630602 | KIT, FILL COVER ASM | 1 |
| ▲22 | 630338 | COVER, SOLUTION FILL | 1 |
| ▲23 | 630341 | STIFFENER, SOL FILL COVER | 1 |
| ▲24 | 140018 | WASHER, #10 INT | 1 |
| ▲25 | 578201000 | SCREW, 10-32X.5 | 1 |
| ▲26 | 578301 | KNOB, FILL-COVER | 1 |

| REF | PART # | DESCRIPTION | QTY. |
|-----|-----------|--------------------------------|------|
| 27 | 630007 | DOOR, SOL TANK ACCESS | 1 |
| 28 | 140872 | SCREW, #6X3/8 | 2 |
| 29 | 579210 | WASHER, M6.4X18X1.5 FLAT | 7 |
| 30 | 578244000 | WASHER, M6.4X10 LOCK | 7 |
| 31 | 200609438 | SCREW, M6X20 | 1 |
| 32 | 630012 | BRACKET, VAC TRANS MOUNT | 1 |
| 33 | 630011 | TUBE, VAC TRANS, FLANGE & BARB | 1 |
| 34 | 630016 | RING, RETAINING 1.82" DIA EXT | 1 |
| 35 | 630267 | SPRING, COMP 2.12X2.00 | 1 |
| 36 | 200031436 | SCREW, M6X1.0X16 | 2 |
| 37 | 630146 | FITTING, 3/8M PLUG | 1 |
| 38 | 630021 | CABLE ASM, TANK SUP-PORT | 1 |
| 39 | 601991 | TRAY, BATTERY | 1 |
| 40 | 630380 | GASKET, 119MM VAC MTR COVER | 2 |
| 41 | 630381 | GASKET, 223MM VAC MTR | 2 |
| 42 | 200070340 | SCREW, M4X.7X8 | 2 |
| 43 | 140023 | WASHER, #8 INT | 2 |
| 44 | 200301014 | WASHER, M4.3X10.1X1 FLAT | 2 |
| 45 | 630343 | CLAMP, CABLE 7/8ID | 2 |
| 46 | 630017 | FILTER, SCREEN VAC FAN | 1 |
| 47 | 140032 | WASHER, #6 FLAT | 2 |
| 48 | 140308 | CLAMP, HOSE 1-5/16 TO 2-1/4 | 1 |
| 49 | 575537 | CHAIN, BALL #10 | .12m |
| 50 | 575536 | CHAIN, COUPLING END | 2 |
| 51 | 140826 | SCREW, #6X3/4 | 1 |
| 52 | 630508 | O-RING, 9.2 ID X 12.7 OD | 1 |

∇ ASSEMBLY

▲ INCLUDED IN ASSEMBLY

● RECOMMENDED STOCK ITEMS

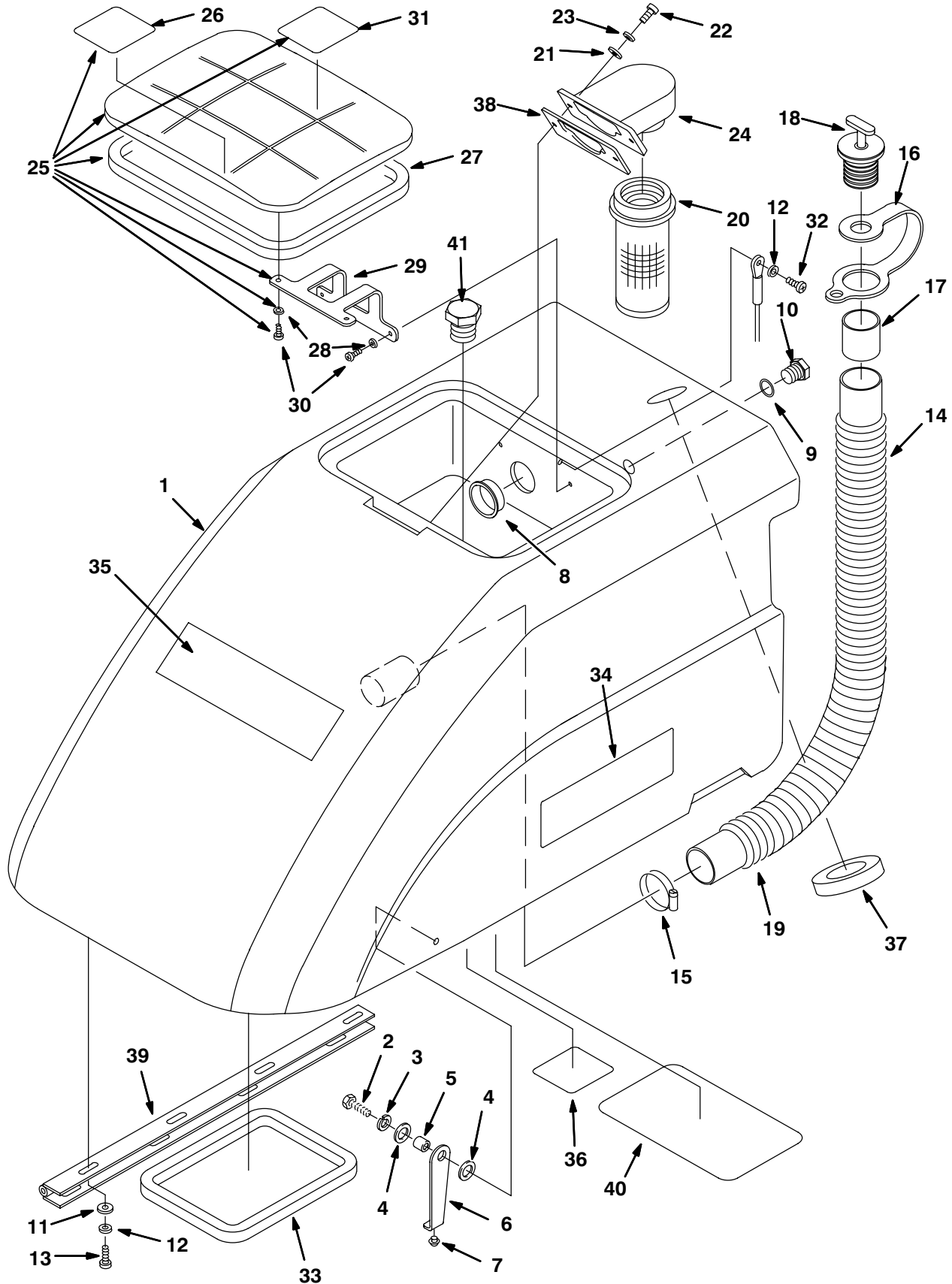
SOLUTION CONTROL GROUP

| REF | PART # | DESCRIPTION | QTY. |
|-----|-----------|----------------------------------|------|
| 1 | 630057 | BRACKET, SOL. ADJ. KNOB | 1 |
| 2 | 601104000 | FITTING-E90, .50" HOSE, .50" NPT | 1 |
| 3 | 630452 | SPACER, 4.3MM, 8.0MM NYLON | 1 |
| 4 | 630233 | DECAL, FLOW CONTROL | 1 |
| 5 | 630117 | CABLE, CONT. WATER FLOW | 1 |
| 6 | 630116 | KNOB, ADJ. VALVE | 1 |
| 7 | 200315016 | WASHER, FLAT, 5.3MM, 15.0, 1.6 | 2 |
| 8 | 140018 | WASHER LOC INT #10 | 2 |
| 9 | 575569000 | SCREW, M5X16 | 2 |
| 10 | 608322 | SCREW, M6X1.0X16 | 2 |
| 11 | 578244000 | WASHER, LOC INT M6 | 2 |
| 12 | 140012 | WASHER, PLAIN, 3/16" | 2 |
| 13 | 579029 | NUT-HX STD M6X1.0 | 2 |
| 14 | 630022 | ●VALVE, SOLENOID, 24VDC | 1 |

● RECOMMENDED STOCK ITEMS

| REF | PART # | DESCRIPTION | QTY. |
|-----|-----------|---------------------------------|------|
| 15 | 630059 | BRACKET, VALVE | 1 |
| 16 | 140328 | CLAMP, 3/8" NYLON | 1 |
| 17 | 200301014 | WASHER, FLAT 4.3MM, 10.1, 1.0 | 1 |
| 18 | 579259 | SCREW, M4X12MM | 1 |
| 19 | 140023 | WASHER, #8 INT | 1 |
| 20 | 630164 | FITTING, STR, .50HOSE X .25HOSE | 1 |
| 21 | 630366 | HOSE, .25IDX.345MM | 1 |
| 22 | 630370 | HOSE, 40MM SOLENOID/REDUCER | 1 |
| 23 | 630379 | HOSE, 210MM TANK/SOLENOID | 1 |
| 24 | 200031488 | SCREW, M8X1.25X20 | 1 |
| 25 | 200370019 | WASHER LOC INT M8 | 1 |
| 26 | 069764140 | SCREW, M5X16MM | 2 |
| 27 | 200001343 | SCREW, M4X12MM | 1 |
| 28 | 140310 | CLAMP, HOSE | 4 |

RECOVERY TANK GROUP



RECOVERY TANK GROUP

| REF | PART # | DESCRIPTION | QTY. |
|-----|-----------|--|------|
| ▽ | 610936 | KIT, RECOVERY TANK, TEAL (FOR MACHINES MANUFACTURED BEFORE 11-00) | 1 |
| ▲1 | 610935 | TANK, RECOVERY, TEAL | 1 |
| ▲2 | 200031486 | SCREW, M8X1.25X16T | 1 |
| ▲3 | 140015 | WASHER, 5/16 SPLITLOCK | 1 |
| ▲4 | 140027 | WASHER, 5/16 FLAT | 2 |
| ▲5 | 140116 | BUSHING, .31X.44X.14 | 1 |
| ▲6 | 606527 | SUPPORT, RECOVERY TANK | 1 |
| ▲7 | 069760189 | BUMPER, RUBBER | 1 |
| ▲8 | 610979 | PLUG | 1 |
| 9 | 630134 | O-RING, 16MM OD X 3.5MM | 1 |
| 10 | 630139 | FITTING, PLUG HEX 3/8" | 1 |
| 11 | 140012 | WASHER, 3/16 FLAT | 8 |
| 12 | 578244000 | WASHER, M6.4X10 LOCK | 9 |
| 13 | 608322 | SCREW, M6X1.0X16 | 8 |
| ▽14 | 603217 | ●DRAIN HOSE ASM | 1 |
| ▲15 | 140308 | CLAMP, HOSE | 1 |
| ▲16 | 578441 | STRAP, DRAIN HOSE | 1 |
| ▲17 | 630394 | SLEEVE, DRAIN HOSE 1.5"ID | 1 |
| ▲18 | 621324 | PLUG, EXPANSION | 1 |
| ▲19 | 630068 | HOSE, DRAIN 38.1MM ID | 1 |
| 20 | 630052 | ●FLOAT, SHUT-OFF (2)BALL | 1 |
| 21 | 059650283 | WASHER, M6.4X18X1.6 FLAT | 2 |

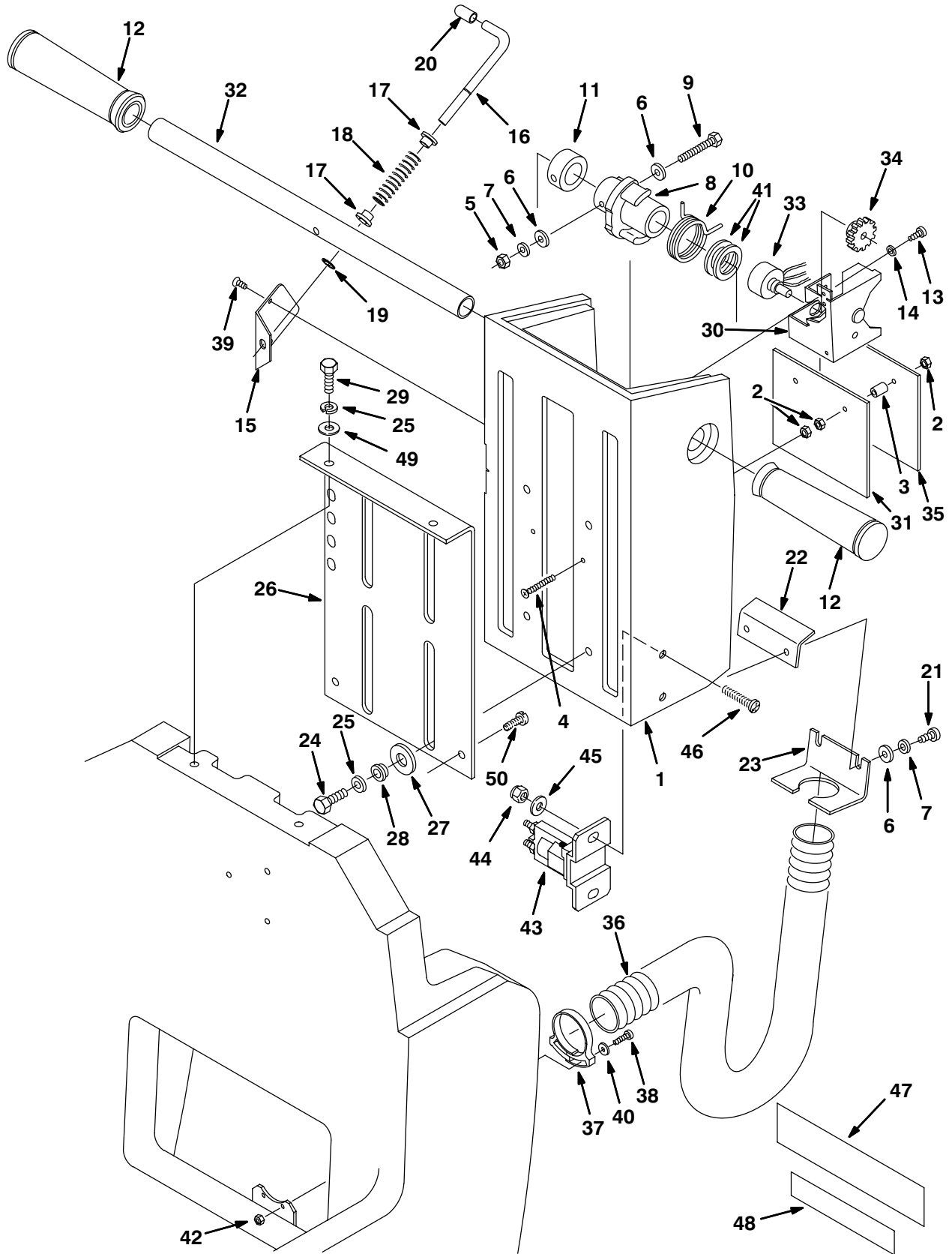
| REF | PART # | DESCRIPTION | QTY. |
|-----|-----------|----------------------------|------|
| 22 | 600385 | SCREW, M6X1.0X20 | 2 |
| 23 | 578244000 | WASHER, M6.4X10 LOCK | 2 |
| 24 | 630053 | MOUNT, FLOAT-CAGE | 1 |
| ▽25 | 630601 | KIT, REC. TANK COVER | 1 |
| ▲26 | 630420 | LABEL, FLAMMABLE MATL | 1 |
| ▲27 | 630367 | ●GASKET, REC. TANK COVER | 1 |
| ▲28 | 630390 | WASHER, .15X.56X.04 FLAT | 4 |
| ▲29 | 630056 | STRAP, TANK COVER RET. | 1 |
| ▲30 | 140872 | SCREW, #6X3/8 | 4 |
| ▲31 | 606105 | DECAL, DO NOT SPRAY | 1 |
| 32 | 200031436 | SCREW, M6X1.0X16 | 1 |
| 33 | 630368 | ●GASKET, 650MM | 1 |
| 34 | 608139 | DECAL, 5300 | 2 |
| 35 | 630229 | DECAL, TENNANT | 1 |
| 36 | 630420 | DECAL, FLAMMABLE MATL | 1 |
| 37 | 630010 | ●GASKET, 70OD,43ID,12.7THK | 1 |
| 38 | 630255 | GASKET, FLOAT MOUNT | 1 |
| 39 | 630048 | HINGE, 17.9" | 1 |
| 40 | 630231 | DECAL, WIRING W/OPTIONS | 1 |
| 41 | 630147 | PLUG, .75NPT | 1 |

▽ ASSEMBLY

▲ INCLUDED IN ASSEMBLY

● RECOMMENDED STOCK ITEMS

CONSOLE GROUP



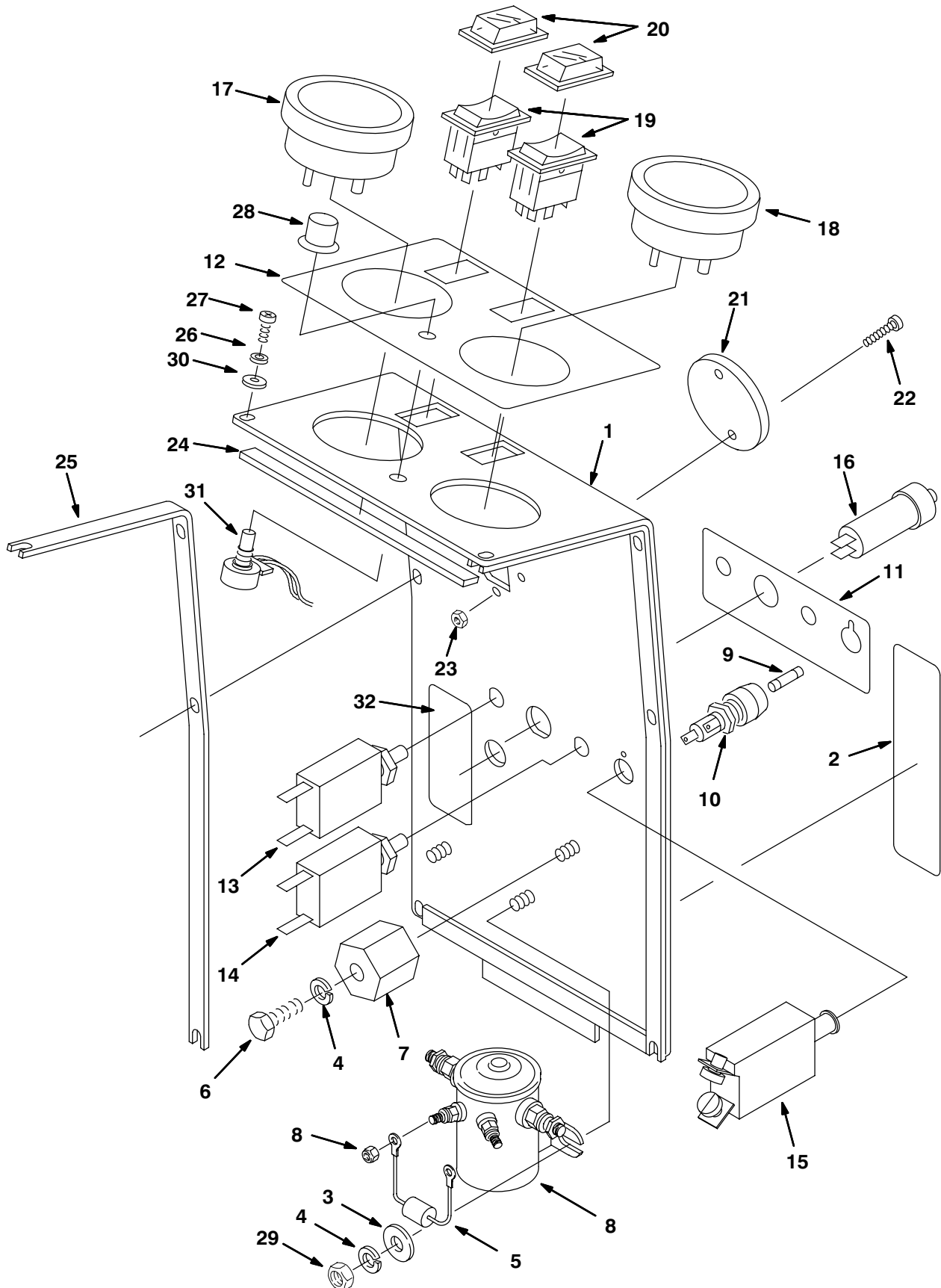
CONSOLE GROUP

| REF | PART # | DESCRIPTION | QTY. |
|-----|-----------|--|------|
| ∇ | 610923 | KIT, CONSOLE, TEAL (FOR MACHINES MANUFACTURED BEFORE 11-00) | 1 |
| ▲1 | 610922 | CONSOLE (TEAL) | 1 |
| ▲2 | 200160014 | NUT, HEX LOCK, M4 | 6 |
| ▲3 | 610943 | SPACER, .217ID, .315OD, .375L | 2 |
| ▲4 | 630304 | SCREW, M4X35MM | 2 |
| 5 | 579029 | NUT, M6X1.0 | 1 |
| 6 | 579210 | WASHER, FLAT, 6.4MM | 4 |
| 7 | 578244000 | WASHER, LOC INT M6 | 3 |
| 8 | 630109 | GEAR & HUB ASSY, 22.4ID, 20"SCR | 1 |
| 9 | 630431 | SCREW, M6X40MM | 1 |
| 10 | 630088 | SPRING, CENTERING | 1 |
| 11 | 630217 | COLLAR, .88"ID 1.38OD .63 LG | 1 |
| 12 | 590002000 | GRIP, HANDLE | 2 |
| 13 | 200070340 | SCREW, M4X8MM | 2 |
| 14 | 140023 | WASHER, LOCK, INT #8 | 2 |
| 15 | 630087 | PLATE, RETAINER – LATCH | 1 |
| 16 | 630081 | LEVER, LATCH, CONSOLE ADJUST | 1 |
| 17 | 630083 | BUSHING, LATCH | 2 |
| 18 | 630082 | SPRING, COMP .42" 1.75 .035 | 1 |
| 19 | 630084 | RING, RETAINING, EXT | 1 |
| 20 | 630094 | GRIP, LEVER-CONSOLE ADJUST | 1 |
| 21 | 608322 | SCREW, M6X1.0X16 | 2 |
| 22 | 630086 | PLATE, STRAIN RELIEF | 1 |
| 23 | 630108 | BRACKET, MTG, CONDUIT | 1 |
| 24 | 200031486 | SCREW, M8X16MM | 4 |
| 25 | 200370019 | WASHER LOC INT M8 | 6 |

● RECOMMENDED STOCK ITEMS

| REF | PART # | DESCRIPTION | QTY. |
|-----|-----------|-------------------------------------|------|
| 26 | 582078 | PLATE, CONSOLE SLIDE, 20" SCRUB | 1 |
| 27 | 630447 | WASHER, NYLON, 12.7, 25.4, 0.8 | 4 |
| 28 | 630095 | BEARING, FLNG .38" .50" .25"LG | 4 |
| 29 | 200031488 | SCREW, M8X20MM | 2 |
| 30 | 630079 | BRACKET, MTG, LIMIT SWITCH | 1 |
| 31 | 630128 | PLATE, PMC, HEAT SINK | 1 |
| 32 | 630093 | HANDLEBAR, .88OD 15.5LG | 1 |
| 33 | 603372 | ●ASSEMBLY, POT. W/DECAL | 1 |
| 34 | 630099 | GEAR, 28T, 24P | 1 |
| 35 | 630104 | SPEED CONTROL, PMC BOARD, 55 AMP | 1 |
| 36 | 630113 | CONDUIT, CONVOLUTED | 1 |
| 37 | 140322 | CLAMP, VAC HOSE | 1 |
| 38 | 578403000 | SCREW, M3X20MM | 2 |
| 39 | 630114 | SCREW, M4X8MM | 2 |
| 40 | 200301012 | WASHER, FLAT, 3.2MM | 2 |
| 41 | 069760582 | WASHER, NYLON, 23 ID, 34 OD | 2 |
| 42 | 579211 | NUT, M3 | 2 |
| 43 | 603008 | ●CONTACTOR, 24VDC, 100A | 1 |
| 44 | 140552 | NUT, 10-24 NYLOCK | 2 |
| 45 | 069762056 | WASHER, PLAIN #10 | 2 |
| 46 | 15858.12 | SCREW, 10-24X3/4 | 2 |
| 47 | 601085000 | DECAL, PMC CONNECTION | 1 |
| 48 | 611440 | DECAL, FUSE SPEC | 1 |
| 49 | 140027 | WASHER, FLAT 5/16 | 2 |
| 50 | 630306 | SCREW, M8X16MM | 2 |

CONSOLE PANEL GROUP



CONSOLE PANEL GROUP

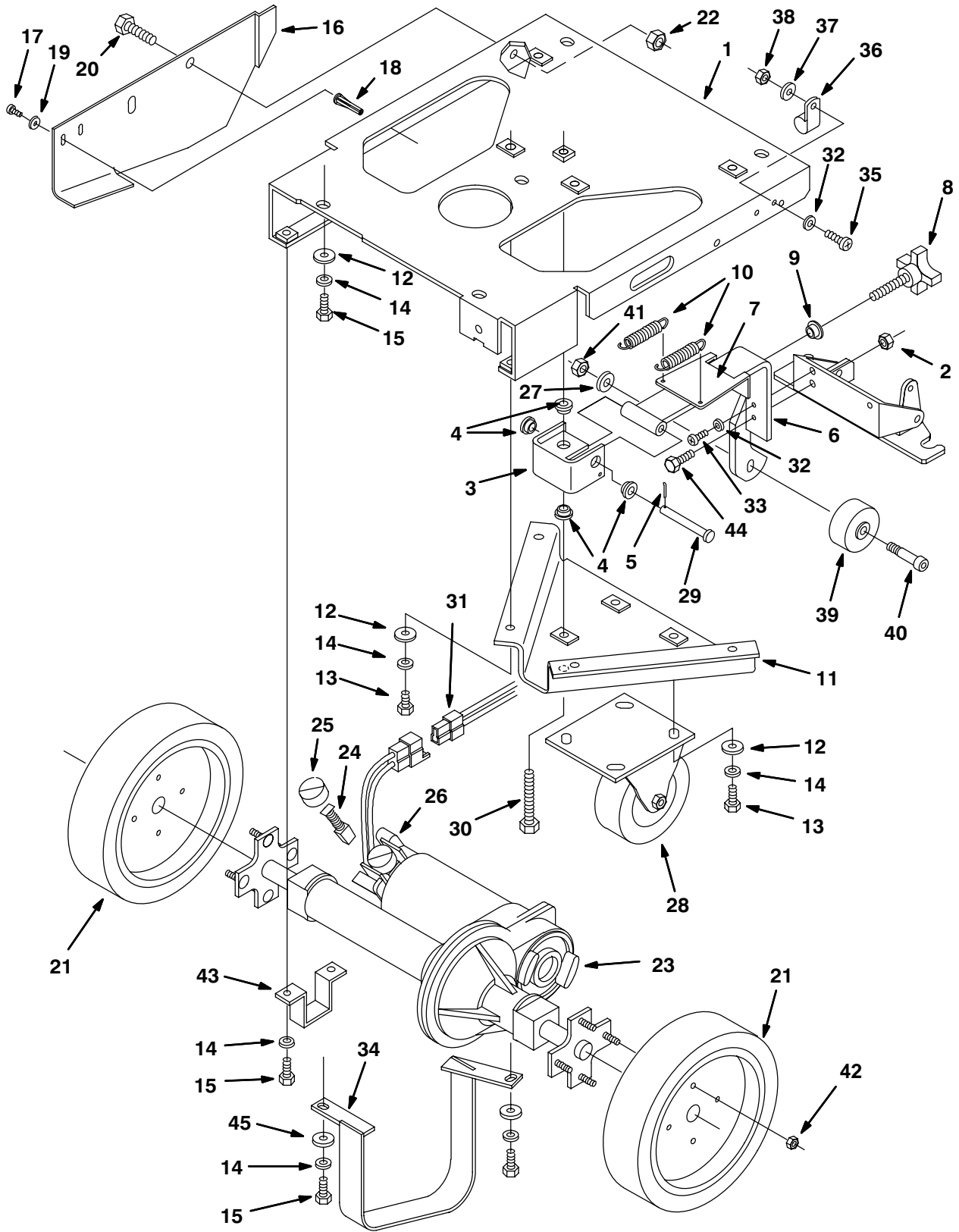
| REF | PART # | DESCRIPTION | QTY. |
|-----|-----------|------------------------------|------|
| 1 | 602477 | PLATE, SWITCH | 1 |
| 2 | 630422 | DECAL, BATT CHARGE | 1 |
| 3 | 140000 | WASHER, FLAT 1/4" | 2 |
| 4 | 578244000 | WASHER, LOC INT. M6 | 3 |
| 5 | 606404 | ●ASM, DIODE W/RING TERMINALS | 1 |
| 6 | 069762115 | SCREW, 1/4-20X1/2 | 1 |
| 7 | 578427 | STANDOFF, TERMINAL | 1 |
| 8 | 605905 | ●SOLENOID, 24V | 1 |
| 9 | 601091 | ●FUSE, 2AMP 3AG FAST BLOW | 1 |
| 10 | 578418 | HOLDER, FUSE | 1 |
| 11 | 630241 | DECAL, CIRCUIT BREAKERS | 1 |
| 12 | 630243 | DECAL, GAUGE/SWITCH PANEL | 1 |
| 13 | 20361 | ●CIRCUIT BREAKER, 15A | 1 |
| 14 | 605201 | ●CIRCUIT BREAKER, 17A | 1 |
| 15 | 130756 | ●CIRCUIT BREAKER, 35A DC | 1 |
| 16 | 630102 | ●CIRCUIT BREAKER, 7A | 1 |
| 17 | 630090 | ●GAUGE, BRUSH PRESSURE | 1 |

| REF | PART # | DESCRIPTION | QTY. |
|-----|-----------|-------------------------------------|------|
| 18 | 630091 | ●METER, BATTERY, 24VDC | 1 |
| 19 | 630419 | ●SWITCH, ROCKER, SPST, 24VDC, GREEN | 2 |
| 20 | 578720 | ●SPLASH GUARD, ROCKER SWITCH | 2 |
| 21 | 607002 | PLATE, COVER | 1 |
| 22 | 200070340 | SCREW, M4X.7X8 | 2 |
| 23 | 200160014 | NUT, M4 | 2 |
| 24 | 630453 | GASKET, CONSOLE 143MM | 2 |
| 25 | 630119 | GASKET, CONSOLE 3.1 X 8.0 X 420 | 2 |
| 26 | 140023 | WASHER, #8 INT | 8 |
| 27 | 200070340 | SCREW, PAN HD, M4 X 8, ZP | 8 |
| 28 | 630265 | KNOB, SPEED LIMIT | 1 |
| 29 | 14501 | NUT, 1/4-20 | 2 |
| 30 | 200301014 | WASHER, FLAT, 4.3,10.0, 1.0 | 8 |
| 31 | 630133 | ●RESISTOR, 0-20K, SPEED CONTROL | 1 |
| 32 | 611440 | DECAL, FUSE SPEC. | 1 |
| N/S | 607789 | HARNESS, MAIN W/WATERPROOF | 1 |

● RECOMMENDED STOCK ITEMS

N/S = NOT SHOWN

MAIN FRAME GROUP



MAIN FRAME GROUP

| REF | PART # | DESCRIPTION | QTY. |
|-----|-----------|------------------------------|------|
| 1 | 630131 | FRAME, 20" | 1 |
| 2 | 200160017 | NUT, M8 | 1 |
| 3 | 630045 | BRACKET, LIFT, SQUEEGEE | 1 |
| 4 | 630095 | BEARING, FLANGE | 4 |
| 5 | 140630 | PIN, COTTER, 3/32X3/4 | 1 |
| 6 | 630044 | ARM, PIVOT, SQUEEGEE | 1 |
| 7 | 630043 | BRACKET, SPRING SLIDE | 1 |
| 8 | 630046 | KNOB, .38-24X2" LG STUD | 1 |
| 9 | 630292 | BEARING, KNOB, SQ. ARM | 1 |
| 10 | 630042 | SPRING, EXT | 2 |
| 11 | 630003 | FRAME, MTG, CASTER | 1 |
| 12 | 14880.5 | WASHER, FLAT 5/16" | 17 |
| 13 | 200031486 | SCREW, M8X1.25X16 | 12 |
| 14 | 200370019 | WASHER, LOC INT M8 | 19 |
| 15 | 200031488 | SCREW, M8X20MM | 11 |
| 16 | 630307 | BRACKET, SAFETY & LIMIT | 1 |
| 17 | 590137 | SCREW, #6-32X.38" | 2 |
| 18 | 578329000 | SCREW, ANCHOR | 2 |
| 19 | 140032 | WASHER, FLAT, #6 | 2 |
| 20 | 140277 | SCREW, M10X1.5X20 | 1 |
| 21 | 640013 | ●WHEEL, NEOPRENE SOLID | 2 |
| | 630215 | ●WHEEL, AIR FILLED | 2 |
| | 600352 | ●WHEEL, FOAM FILLED | 2 |
| | 606754 | ●KIT, WHEELS, NEOPRENE SOLID | 1 |
| | 604357 | ●KIT, WHEELS, AIR FILLED | 1 |
| | 604259 | ●KIT, WHEELS, FOAM FILLED | 1 |

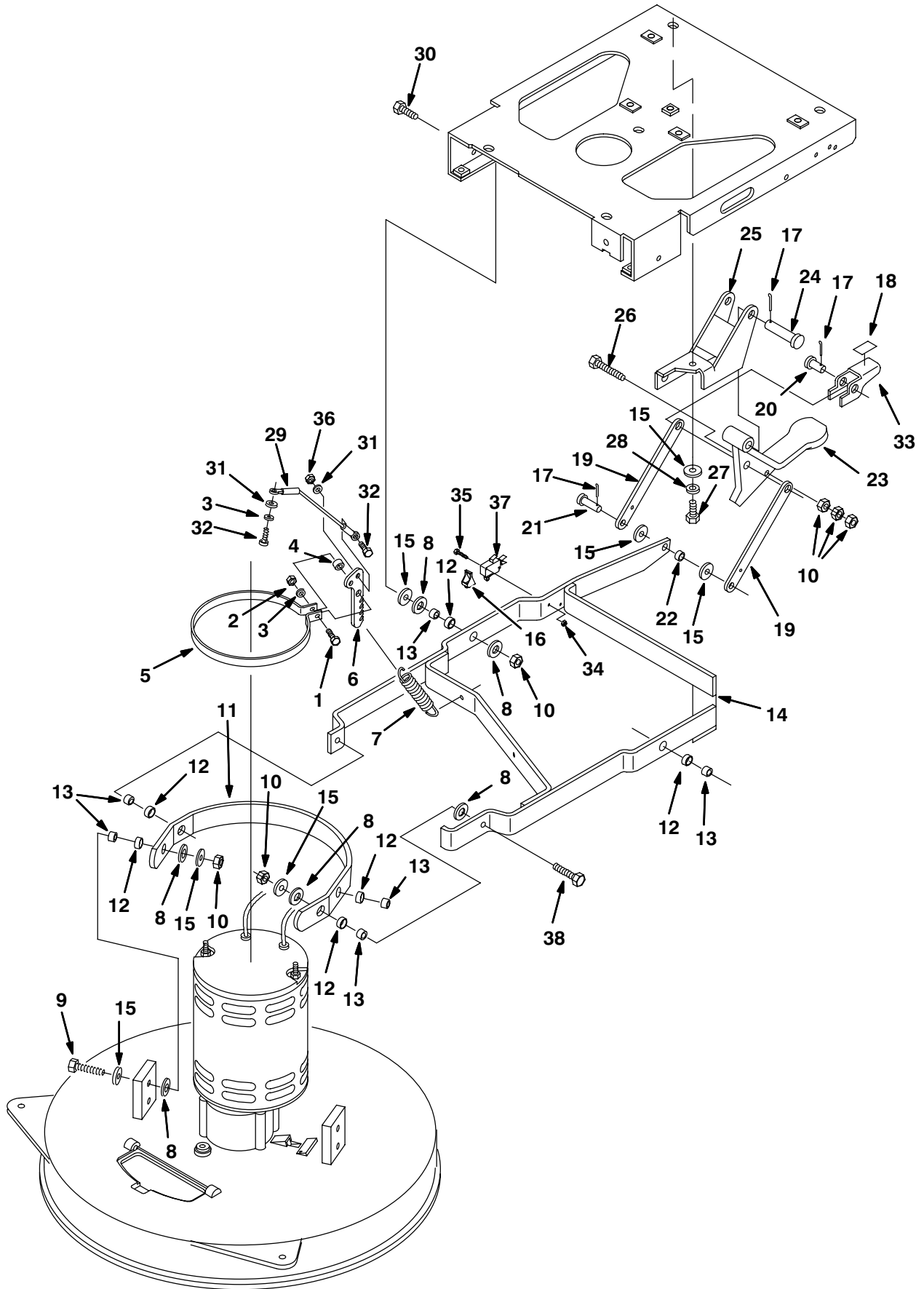
| REF | PART # | DESCRIPTION | QTY. |
|-----|-----------|------------------------------------|------|
| 22 | 200160018 | NUT, HXLOCNYLN M10 X 1.5 | 1 |
| ∇23 | 630126 | TRANSAXLE, 20", .50 HP | 1 |
| ▲24 | 630504 | ●BRUSH, CARBON MOTOR TRANSAXLE | 2 |
| ▲25 | 630503 | ●CAP, TRANSAXLE BRUSH | 2 |
| ▲26 | 600606 | ●ASM, END BELL, TRANSAXLE MOTOR FR | 1 |
| 27 | 200651019 | WASHER, FLAT 8.4MM | 1 |
| 28 | 630002 | ●CASTER, 4" DIA. | 1 |
| 29 | 630047 | PIN, CLEVIS .38 X 2.75 | 1 |
| 30 | 630345 | SCREW, SHOULDER BOLT, .375 X 2.00 | 1 |
| 31 | 606500 | HARNESS, WIRE MAIN | 1 |
| 32 | 578244000 | WASHER, LOC INT M6 | 2 |
| 33 | 578187000 | SCREW, M6X12MM | 1 |
| 34 | 601163 | GUARD, MOTOR CAP | 1 |
| 35 | 608322 | SCREW, M6X1.0X16 | 1 |
| 36 | 630428 | CLAMP, CABLE | 1 |
| 37 | 579210 | WASHER, M6.4X18X1.5 | 1 |
| 38 | 579029 | NUT, HEX STD, M6 | 1 |
| 39 | 630477 | WHEEL, SQUEEGEE SUPPORT | 1 |
| 40 | 630478 | SCREW, 3/8"X1.0 | 1 |
| 41 | 601108000 | NUT, HEX LOCK, .31"-18 | 1 |
| 42 | 630268 | NUT, HEX LOCK, .25"-28 | 8 |
| 43 | 630127 | BRACKET, TRANSAXLE MT. | 2 |
| 44 | 200031488 | SCREW, M8X20MM | 4 |
| 45 | 14880.5 | WASHER, FLAT 5/16 | 2 |

∇ ASSEMBLY

▲ INCLUDED IN ASSEMBLY

● RECOMMENDED STOCK ITEMS

SCRUB HEAD LIFT GROUP



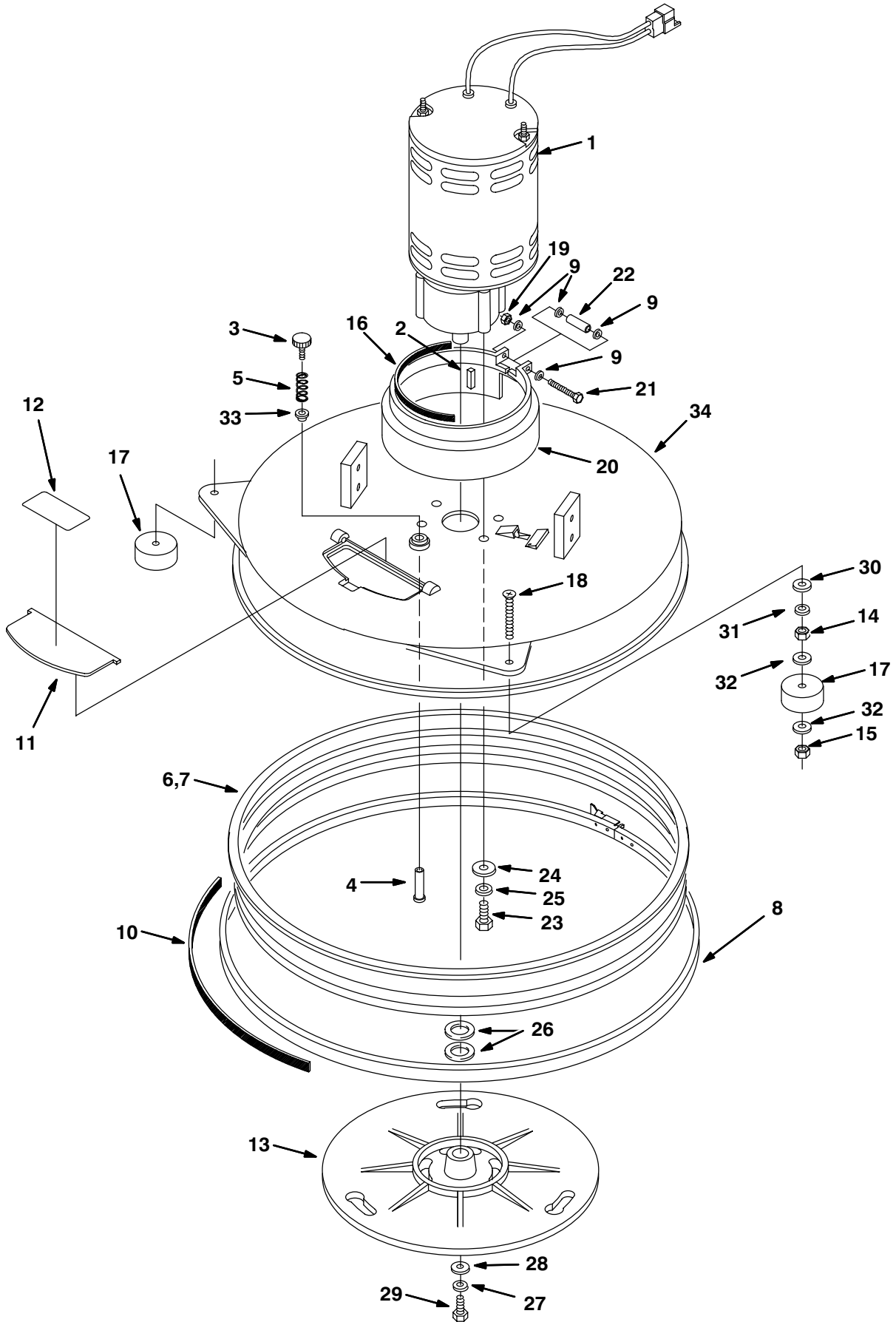
SCRUB HEAD LIFT GROUP

| REF | PART # | DESCRIPTION | QTY. |
|-----|-----------|------------------------------|------|
| 1 | 200031444 | SCREW, M6X1.0X30 | 1 |
| 2 | 579029 | NUT, M6X1.0 | 1 |
| 3 | 578244000 | WASHER, M6.4X10 LOCK | 2 |
| 4 | 140154 | SPACER, .25X.38X.31 | 1 |
| 5 | 630050 | BAND, MOTOR SPRING MOUNT | 1 |
| 6 | 630377 | BRACKET, SCRUB HEAD LEVEL | 1 |
| 7 | 630208 | SPRING, MOTOR CNTR TORQUE | 1 |
| 8 | 630447 | WASHER, M12.7X25.4X.8 NY-LON | 12 |
| 9 | 200031496 | SCREW, M8X1.25X35 | 2 |
| 10 | 200160017 | NUT, M8 HEXLOCK | 9 |
| 11 | 630177 | BRACKET, MOTOR PIVOT | 1 |
| 12 | 630188 | BEARING .50"IDX.25LG JOURNAL | 6 |
| 13 | 630189 | SLEEVE, BRG 12.7ODX8.7ID 08 | 6 |
| 14 | 630176 | HEAD LIFT, TRANSAXLE | 1 |
| 15 | 14880.5 | WASHER, 5/16 FLAT | 11 |
| 16 | 600372 | BOOT, SWITCH | 1 |
| 17 | 578421 | PIN, COTTER 1/8X1" | 3 |
| 18 | 600721 | PAD, NON SLIP SURFACING | 1 |
| 19 | 630182 | ARM, LINK, HEADLIFT | 2 |

| REF | PART # | DESCRIPTION | QTY. |
|-----|-----------|-----------------------------|------|
| 20 | 600720 | PIN, CLEVIS 1/2DIAX1-19/64 | 1 |
| 21 | 630258 | PIN, CLEVIS 3/8DIAX1" | 1 |
| 22 | 630259 | BEARING, 9.5ID,12.7OD,6.4LG | 1 |
| 23 | 630181 | PEDAL, FOOT HEADLIFT | 1 |
| 24 | 630448 | PIN, CLEVIS 1/2DIAX2-1/4 | 1 |
| 25 | 630206 | BRACKET, HEADLIFT ASM | 1 |
| 26 | 200032503 | SCREW, M8X1.25X60 | 1 |
| 27 | 200031488 | SCREW, M8X1.25X20 | 1 |
| 28 | 200370019 | WASHER, M8.4 LOCK | 1 |
| 29 | 630384 | CABLE, HEAD LIFT | 1 |
| 30 | 200607491 | SCREW, M8X1.25X25 | 2 |
| 31 | 140012 | WASHER, 3/16 FLAT | 2 |
| 32 | 200031436 | SCREW, M6X1.0X16 | 2 |
| 33 | 600719 | LATCH, HEAD RELEASE | 1 |
| 34 | 579211 | NUT, M3 HEXLOCK | 2 |
| 35 | 579213 | SCREW, M3X.5X20 | 2 |
| 36 | 579028 | NUT, M6 HEXLOCK | 1 |
| 37 | 600438 | ●KIT, SWITCH REPLACEMENT | 1 |
| 38 | 200031494 | SCREW, M8X1.25X30 | 2 |

● RECOMMENDED STOCK ITEMS

SCRUB BRUSH DRIVE GROUP



SCRUB BRUSH DRIVE GROUP

| REF | PART # | DESCRIPTION | QTY. |
|-----|-----------|---|------|
| ∇1 | 605054 | ●MOTOR, ELE, 24VDC .75HP 270RPM (FOR BREAKDOWN SEE PAGE 97) | 1 |
| ▲2 | 630454 | KEY, SQUARE .25X1.12 LG | 1 |
| 3 | 603012 | KNOB, HUB LOCK | 1 |
| 4 | 630308 | PIN, HEAD STOP | 1 |
| 5 | 630310 | SPRING, HEAD STOP | 1 |
| 6 | 630027 | ●SKIRT, SCRBR HEAD, STD. | 1 |
| 7 | 630506 | ●SKIRT, SCRBR HEAD, HEAVY DUTY | 1 |
| 8 | 630049 | BAND ASSY, SKIRT STD. | 1 |
| | 602045000 | BAND, SKIRT HEAVY DUTY | 1.6m |
| | 602044000 | CLASP, BAND HEAVY DUTY | 1 |
| 9 | 140012 | WASHER, FLAT 3/16 | 4 |
| 10 | 630613 | SKID STRIP, 1.524M/60" STANDARD SKIRT | 1 |
| ∇11 | 630603 | KIT, BRUSH DOOR W/DECAL | 1 |
| ▲12 | 578769 | DECAL, MOVING PARTS | 1 |
| 13 | 630039 | HUB, DRIVE, BRUSH, 20", MACHND | 1 |
| 14 | 200101017 | NUT, M8X1.25 HEX JAM | 2 |
| 15 | 200160017 | NUT, M8 HEXLCK | 2 |

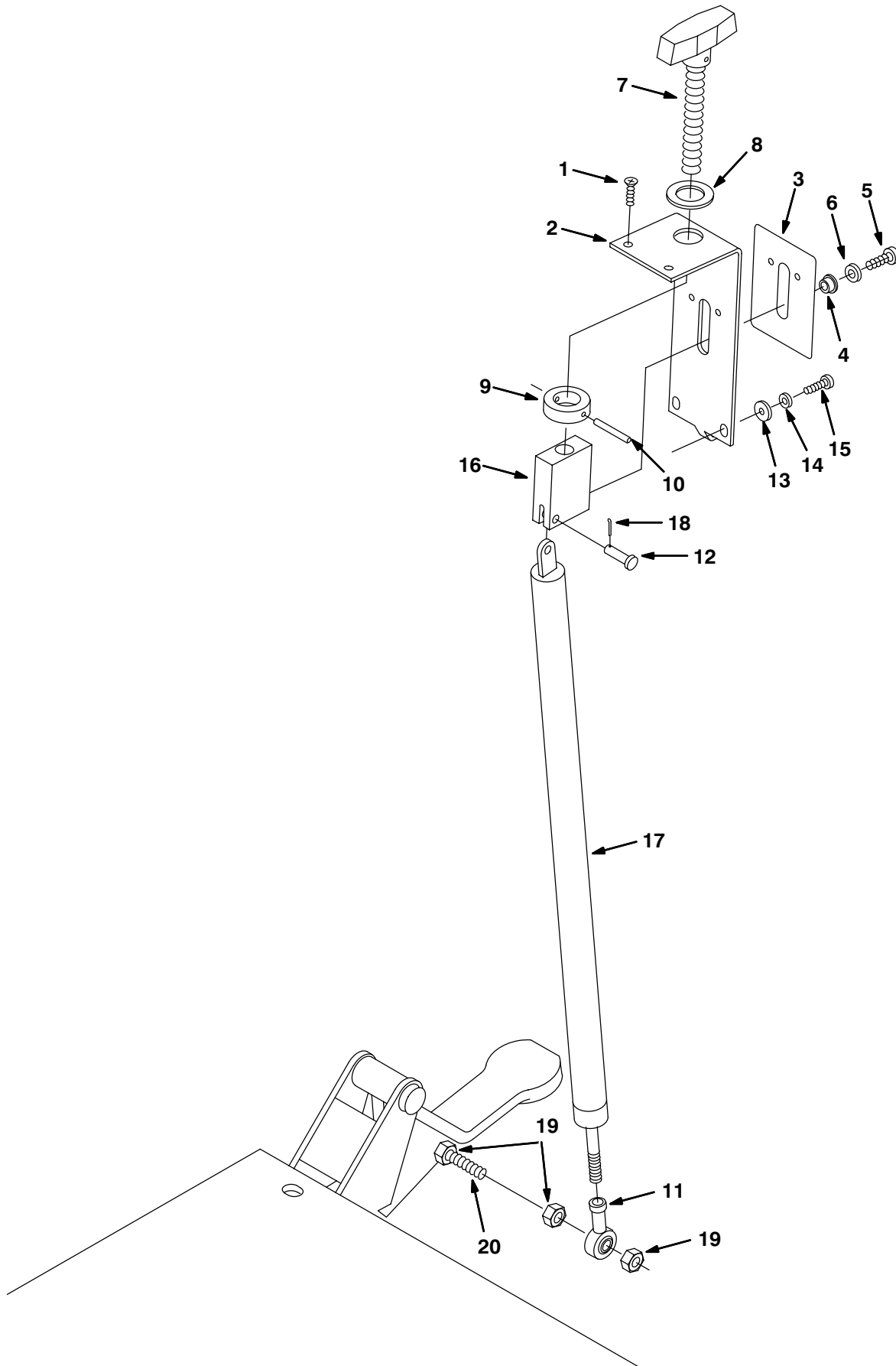
| REF | PART # | DESCRIPTION | QTY. |
|-----|-----------|------------------------------|------|
| 16 | 630475 | GASKET, WATER DEFLEC- TOR | 1 |
| 17 | 579184 | WHEEL, RUBBER, D 51X2W | 2 |
| 18 | 630430 | SCREW, M8X1.25X50MM | 2 |
| 19 | 579028 | NUT, HXLCK M6 | 1 |
| 20 | 630213 | DEFLECTOR, WATER | 1 |
| 21 | 578208000 | SCREW, M6X1.0X55MM | 1 |
| 22 | 630272 | SPACER, .28X.38X1.3 NYLON | 1 |
| 23 | 059650308 | SCREW, 3/8-16X1.00 | 4 |
| 24 | 140028 | WASHER, FLAT 3/8 | 4 |
| 25 | 140017 | WASHER, SPLIT LOCK 3/8" | 4 |
| 26 | 069760023 | WASHER, FLT, .77"X1.26X.03 | 2 |
| 27 | 140015 | WASHER, SPLIT LOCK 5/16" | 1 |
| 28 | 069764631 | WASHER, FLT, M8.4X25.4X4.8 | 1 |
| 29 | 140219 | SCREW, 5/16-18X1 | 1 |
| 30 | 14880.5 | WASHER, FLAT 5/16 | 2 |
| 31 | 200370019 | WASHER, LOCK, INT., .08.4ID | 2 |
| 32 | 630446 | WASHER, NYLON, .31" | 4 |
| 33 | 605825 | SCREW, HEAD STOP PIN | 1 |
| 34 | 630026 | HEAD, SCRUBBER 20" | 1 |

∇ ASSEMBLY

▲ INCLUDED IN ASSEMBLY

● RECOMMENDED STOCK ITEMS

SCRUB BRUSH DOWN PRESSURE GROUP



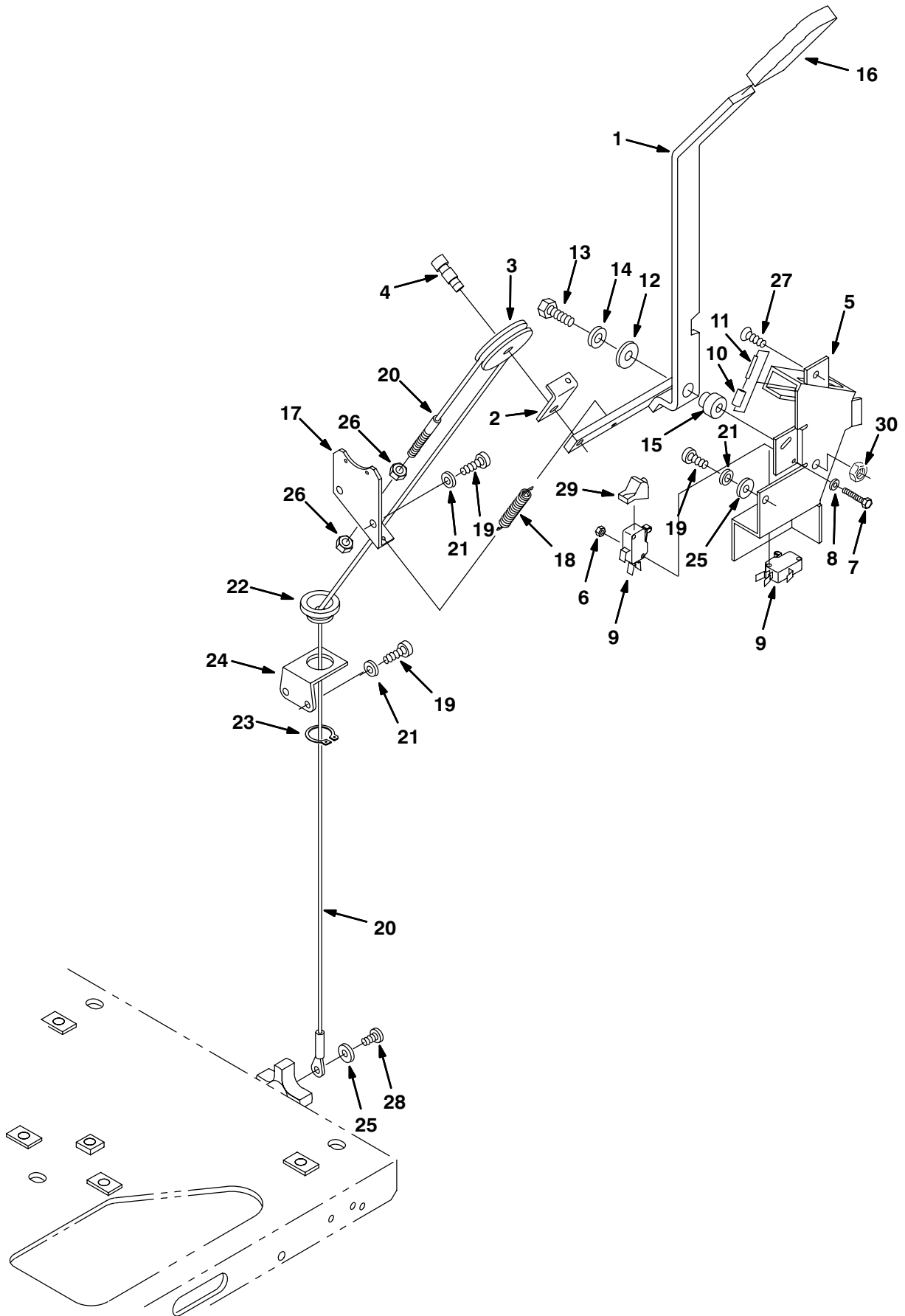
SCRUB BRUSH DOWN PRESSURE GROUP

| REF | PART # | DESCRIPTION | QTY. |
|-----|-----------|----------------------------------|------|
| 1 | 069764140 | SCREW, M5X16 | 2 |
| 2 | 630197 | BRACKET, DOWN PRESS. | 1 |
| 3 | 630234 | DECAL, DOWN PRESSURE | 1 |
| 4 | 630482 | BEARING, FLANGE | 1 |
| 5 | 578187000 | SCREW, M6X12 | 1 |
| 6 | 578244000 | WASHER, M6 | 1 |
| 7 | 630195 | KNOB, TEE, .50-13, 2-1/8"LG | 1 |
| 8 | 630358 | WASHER, NYLON .75" 1.0" .03TK | 1 |
| 9 | 630355 | COLLAR, 19.0ID 31.8OD 9.5W | 1 |
| 10 | 630382 | PIN, SPRING, .16" X 1.25" | 1 |
| 11 | 630353 | ROD-END, SHOCK | 1 |

| REF | PART # | DESCRIPTION | QTY. |
|-----|-----------|-----------------------------------|------|
| 12 | 630357 | PIN, CLEVIS | 1 |
| 13 | 200315016 | WASHER, FLAT, 5.3MM, 15.0, 1.6 | 2 |
| 14 | 140018 | WASHER LCK INT #10 | 2 |
| 15 | 575569000 | SCR, PAN HD, PHIL, M5 X 16 | 2 |
| 16 | 630354 | COUPLER, DOWN-PRESSURE SHOCK | 1 |
| 17 | 603664 | ●SHOCK, DOWN PRESSURE | 1 |
| 18 | 140630 | PIN, COTTER, 3/32X3/4 | 1 |
| 19 | 200160017 | NUT, M8 | 3 |
| 20 | 200032503 | SCREW, M8X1.25X60 | 1 |

● RECOMMENDED STOCK ITEMS

SQUEEGEE LIFT GROUP



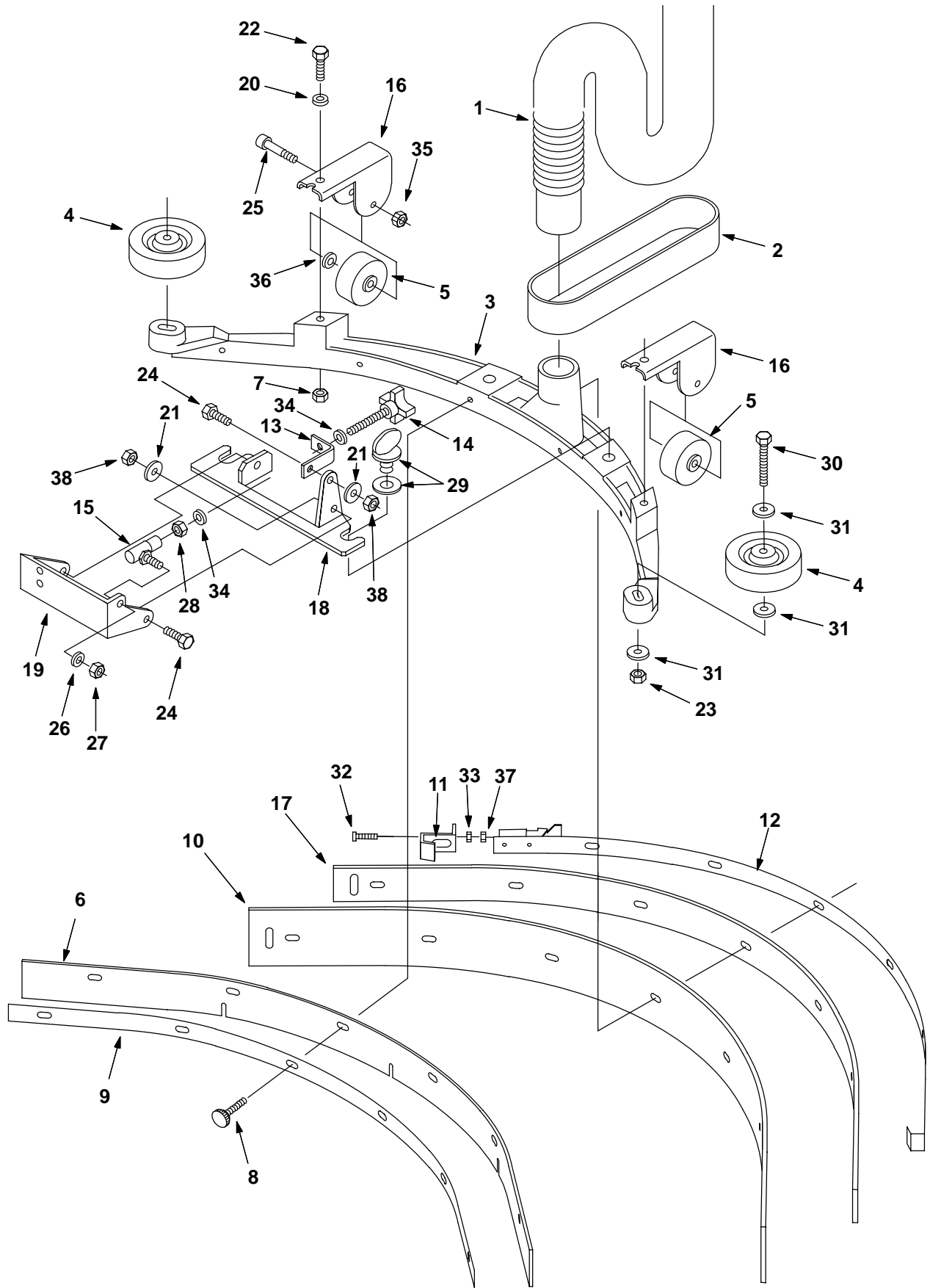
SQUEEGEE LIFT GROUP

| REF | PART # | DESCRIPTION | QTY. |
|-----|-----------|--------------------------------|------|
| 1 | 630151 | ARM, LIFT, SQUEEGEE | 1 |
| 2 | 630427 | BRACKET, SQGE SHEAVE | 1 |
| 3 | 630426 | PULLEY, CABLE 2"X3/16" | 1 |
| 4 | 630470 | SCREW, 5/16X3/8X1.00 | 1 |
| 5 | 630150 | BRACKET, ARM, SQGE LIFT | 1 |
| 6 | 579211 | NUT, HEX LOCK, M3 | 4 |
| 7 | 579213 | SCREW, M3X20MM | 4 |
| 8 | 601127000 | WASHER, FLT 3.7MM | 8 |
| 9 | 600438 | ●KIT, SWITCH REPLACEMENT | 2 |
| 10 | 630207 | BUSHING, SQUEEGEE LIFT BRACKET | 1 |
| 11 | 630262 | PIN, ROLL .09DX.75LG | 1 |
| 12 | 069760082 | WASHER FLT .25 HARD | 1 |
| 13 | 200031496 | SCREW, M8X1.25X35 | 1 |
| 14 | 200370019 | WASHER LCK INT M8 | 1 |
| 15 | 630160 | BUSHING, ARM, PIVOT | 1 |

● RECOMMENDED STOCK ITEMS

| REF | PART # | DESCRIPTION | QTY. |
|-----|-----------|---------------------------|------|
| 16 | 630209 | GRIP, SQGE LIFT | 1 |
| 17 | 630155 | BRACKET, CABLE, SQGE | 1 |
| 18 | 630158 | SPRING, EXT .36 3.00 .45 | 1 |
| 19 | 608322 | SCREW, M6X1.0X16 | 5 |
| 20 | 630156 | CABLE, LIFT, SQGE, 28" LG | 1 |
| 21 | 578244000 | WASHER-LOC INT. M6 | 5 |
| 22 | 621235 | BUSHING, CABLE | 1 |
| 23 | 621236000 | RING, RETAINING .810 DIA | 1 |
| 24 | 630157 | BRACKET, GUIDE, CABLE | 1 |
| 25 | 140000 | WASHER, FLAT 1/4" | 2 |
| 26 | 140510 | NUT, HEX, JAM, 1/4-20 | 2 |
| 27 | 069762098 | SCREW, M6X16MM, | 1 |
| 28 | 573268 | SCREW, .25 20 X .75", SS | 1 |
| 29 | 600372 | BOOT, LIMIT SWITCH | 1 |
| 30 | 200640017 | NUT, M8 HEX | 1 |

SQUEEGEE GROUP



SQUEEGEE GROUP

| REF | PART # | DESCRIPTION | QTY. |
|-----|-----------|-----------------------------------|------|
| ▽ | 630806 | ASSY, SQUEEGEE | 1 |
| 1 | 630339 | ●HOSE ASSY, SQGE | 1 |
| 2 | 630333 | STRAP, SQGE HOSE | 1 |
| ▲3 | 630311 | SQUEEGEE, CURVED | 1 |
| ▲4 | 630450 | WHEEL, RUBBER | 2 |
| ▲5 | 579184 | ●WHEEL, HEAD, BRUSH | 2 |
| ▲6 | 630291 | ●BLADE, FRONT SEMI | 1 |
| 6 | 600207 | ●BLADE, FRONT URETHANE | 1 |
| | 630288 | ●BLADE, FRONT LINATEX | 1 |
| ▲7 | 200640017 | NUT, HEX, M8 | 2 |
| ▲8 | 603012 | KNOB, FRONT SQUEEGEE BLADE ASM | 6 |
| ▲9 | 630313 | SQUEEGEE, BAND, FRONT CURVED | 1 |
| ▲10 | 630344 | ●BLADE, REAR CURVED | 1 |
| 10 | 603511 | ●BLADE, REAR URETHANE | 1 |
| | 610150 | ●BLADE, REAR LINATEX | 1 |
| ▲11 | 610850 | CLIP, SQUEEGEE BAND | 1 |
| ▲12 | 630350 | SQUEEGEE, BAND ASSY, CURVED | 1 |
| 13 | 630279 | BRACKET, PIVOT, TIP ADJUST | 1 |
| 14 | 630281 | KNOB, TIP ADJUST, SQGE | 1 |
| 15 | 140119 | JOINT, BALL, LIFT ROD | 1 |
| ▲16 | 630314 | BRACKET, SQGE BACKUP WHEEL | 2 |
| ▲17 | 630340 | BACK UP STRIP, SEMI- CURVE | 1 |

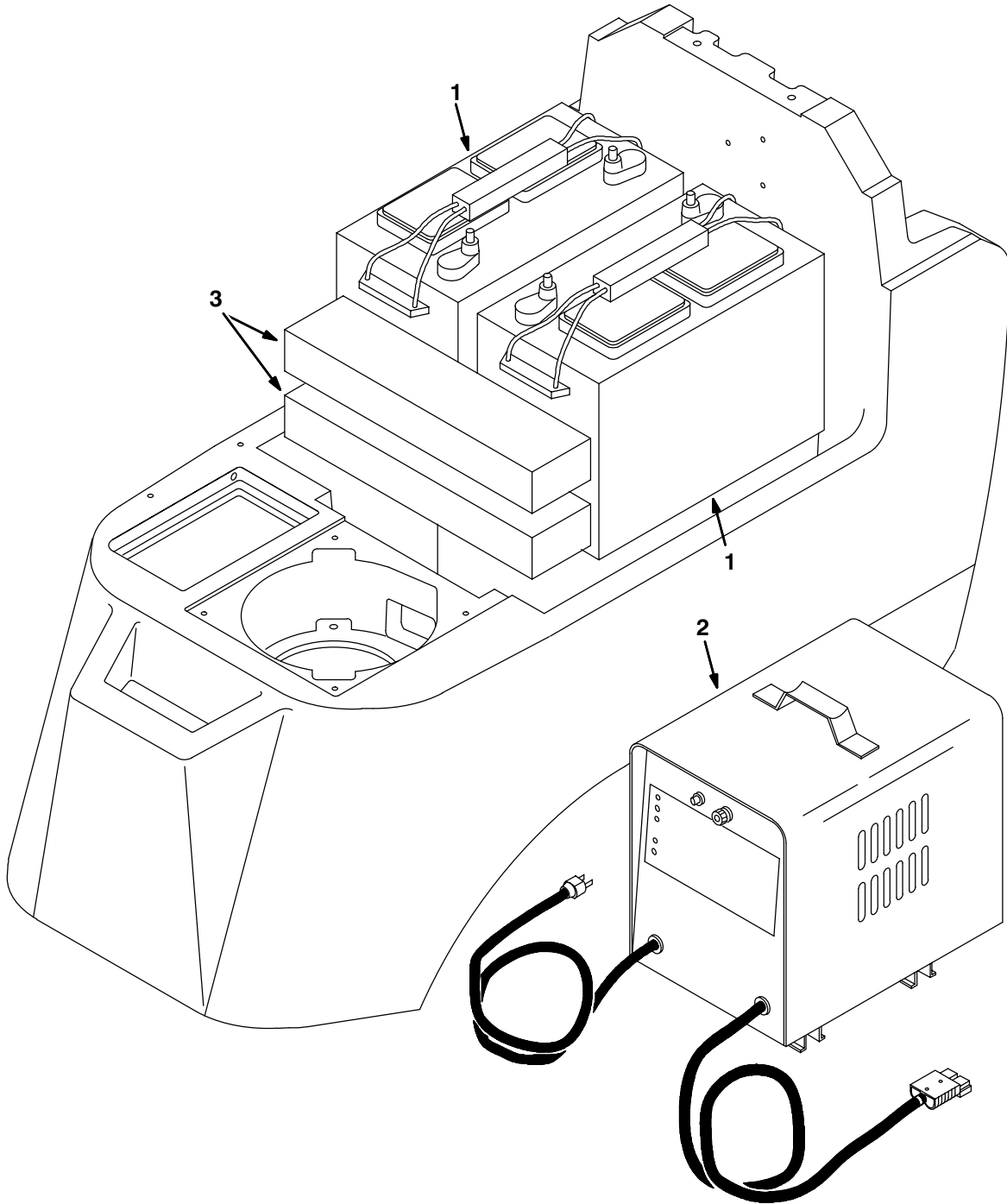
| REF | PART # | DESCRIPTION | QTY. |
|-----|-----------|-------------------------------|------|
| 18 | 630277 | BRACKET, SQGE ATTACH. | 1 |
| 19 | 630278 | BRACKET, TIP ADJUST | 1 |
| ▲20 | 200370019 | WASHER LCK INT M8 | 2 |
| 21 | 200303019 | WASHER, FLAT, 8.4MM | 5 |
| ▲22 | 200031494 | SCREW, M8X30MM | 2 |
| ▲23 | 200160017 | NUT, M8X1.25 | 2 |
| 24 | 200031488 | SCREW, M8X1.25X20 | 3 |
| ▲25 | 630480 | SCREW, SHLD., 5/16", 1-1/4" | 2 |
| 26 | 140015 | WASHER, LOCK, 5/16" | 1 |
| 27 | 069762144 | NUT, HEX, 5/16-24 | 1 |
| 28 | 630388 | NUT, HEX LOCK, 5/16-24 | 1 |
| ▲29 | 630393 | ●SCREW, THUMB & WASHER ASM | 2 |
| ▲30 | 630424 | SCREW, M8X70MM | 2 |
| ▲31 | 630303 | WASHER, FLT 8.4 25.4 2.0 | 6 |
| ▲32 | 630389 | SCREW, M5X.8X45MM | 1 |
| ▲33 | 140283 | NUT, M5X.8 | 1 |
| 34 | 630446 | WASHER, NYLON, .31" | 2 |
| ▲35 | 140501 | NUT, HEX LOCK, .25-20 UNC | 2 |
| ▲36 | 200651019 | WASHER, M8.4X17X1.6 FLAT | 2 |
| ▲37 | 140297 | NUT, M5X.8 | 1 |
| 38 | 200160017 | NUT, M8X1.25 | 3 |

▽ ASSEMBLY

▲ INCLUDED IN ASSEMBLY

● RECOMMENDED STOCK ITEMS

BATTERY AND CHARGER GROUP

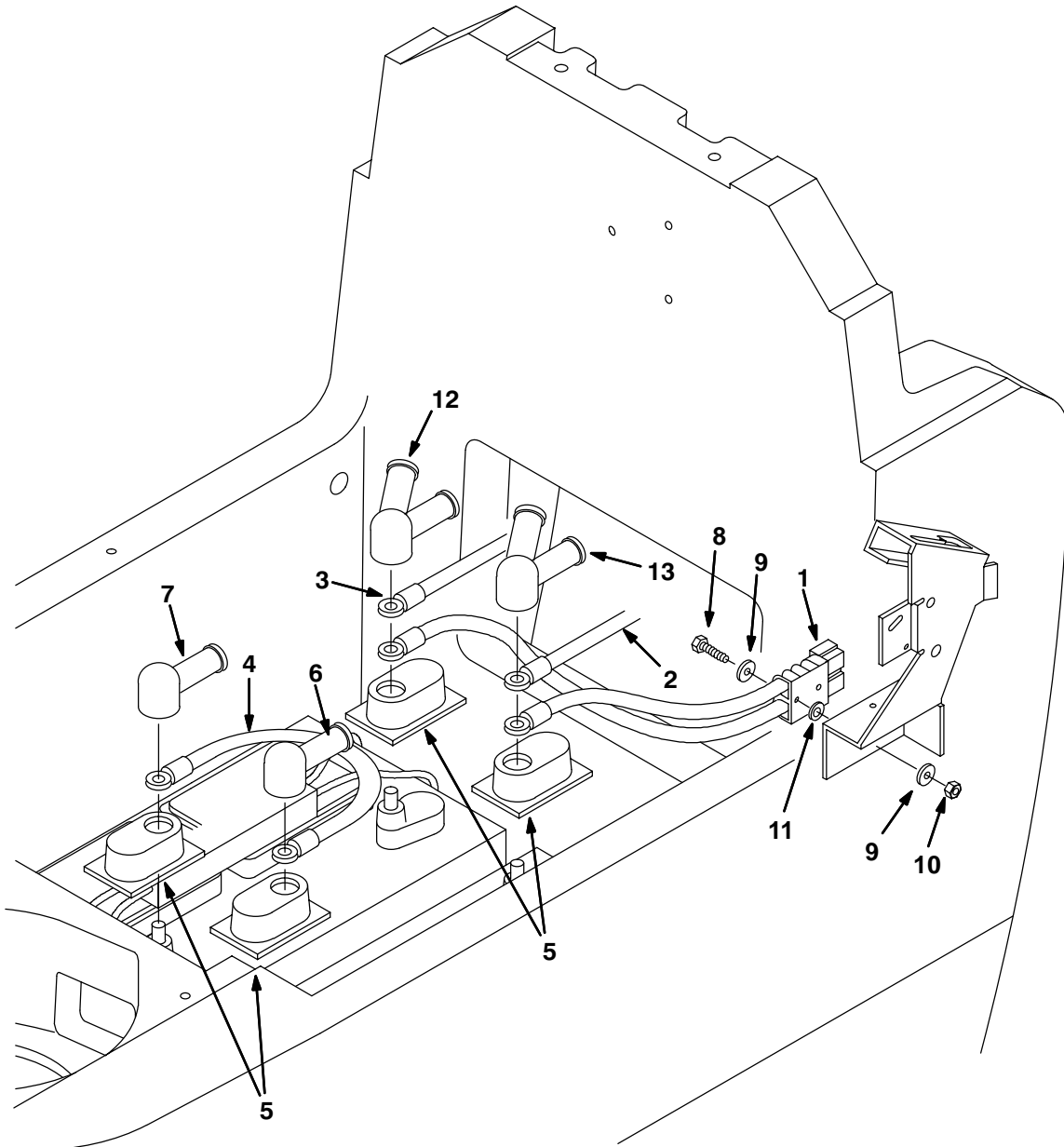


| REF | PART # | DESCRIPTION | QTY. |
|-----|--------|---------------------------|------|
| 1 | 130869 | ●BATTERY, 12V 130AH (WET) | 2 |
| | 600594 | BATTERY, 12V 130AH (DAMP) | 2 |
| | 600394 | BATTERY, 12V 215AH (WET) | 2 |
| | 600595 | BATTERY, 12V 215AH (DAMP) | 2 |

● RECOMMENDED STOCK ITEMS

| REF | PART # | DESCRIPTION | QTY. |
|-----|--------|---|------|
| 2 | 603553 | ●CHARGER 24DC/12A 120V DUALMODE (FOR 130AH BATTERIES) | 1 |
| | 603235 | CHARGER 24DC/20A/120AC REDPLUG (FOR 215AH BATTERIES) | 1 |
| 3 | 630375 | STOP, BATTERY INSERT | 2 |

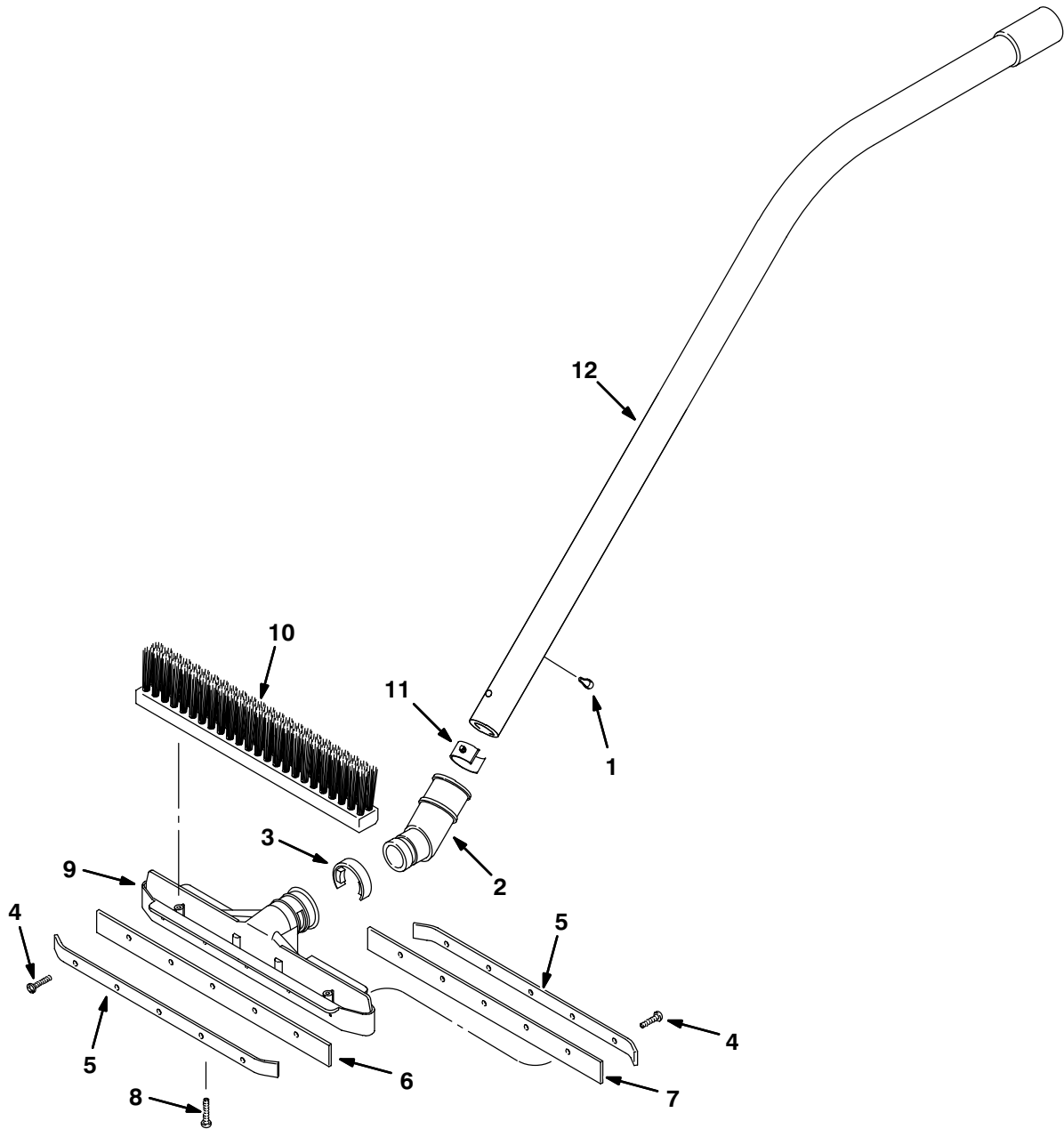
BATTERY CABLE GROUP



| REF | PART # | DESCRIPTION | QTY. |
|-----|--------|--------------------------------------|------|
| 1 | 630118 | CABLE, BATTERY, W/CHARGE PLUG, RED | 1 |
| 2 | 630110 | CABLE, BATTERY, 4GA, RED | 1 |
| 3 | 630111 | CABLE, BATTERY, 4GA, BLK | 1 |
| 4 | 603061 | CABLE, BATTERY 6GA, RED | 1 |
| 5 | 611223 | COVER, TERMINAL | 4 |
| 6 | 611221 | BOOT, CABLE, BATTERY TERMINAL, BLACK | 1 |
| 7 | 611222 | BOOT, CABLE, BATTERY TERMINAL, RED | 1 |

| REF | PART # | DESCRIPTION | QTY. |
|-----|-----------|-------------------------------|------|
| 8 | 200051274 | SCREW, M3X30MM | 2 |
| 9 | 601127000 | WASHER, FLAT, 3.7 8.0, .5 | 4 |
| 10 | 579211 | NUT, HEX, LOCK, M3 | 2 |
| 11 | 140019 | WASHER, EXT. LOCK #6 | 2 |
| 12 | 606011 | BOOT, INSULATING CABLE, RED | 1 |
| 13 | 606010 | BOOT, INSULATING CABLE, BLACK | 1 |

NON-POWER WAND ASSEMBLY



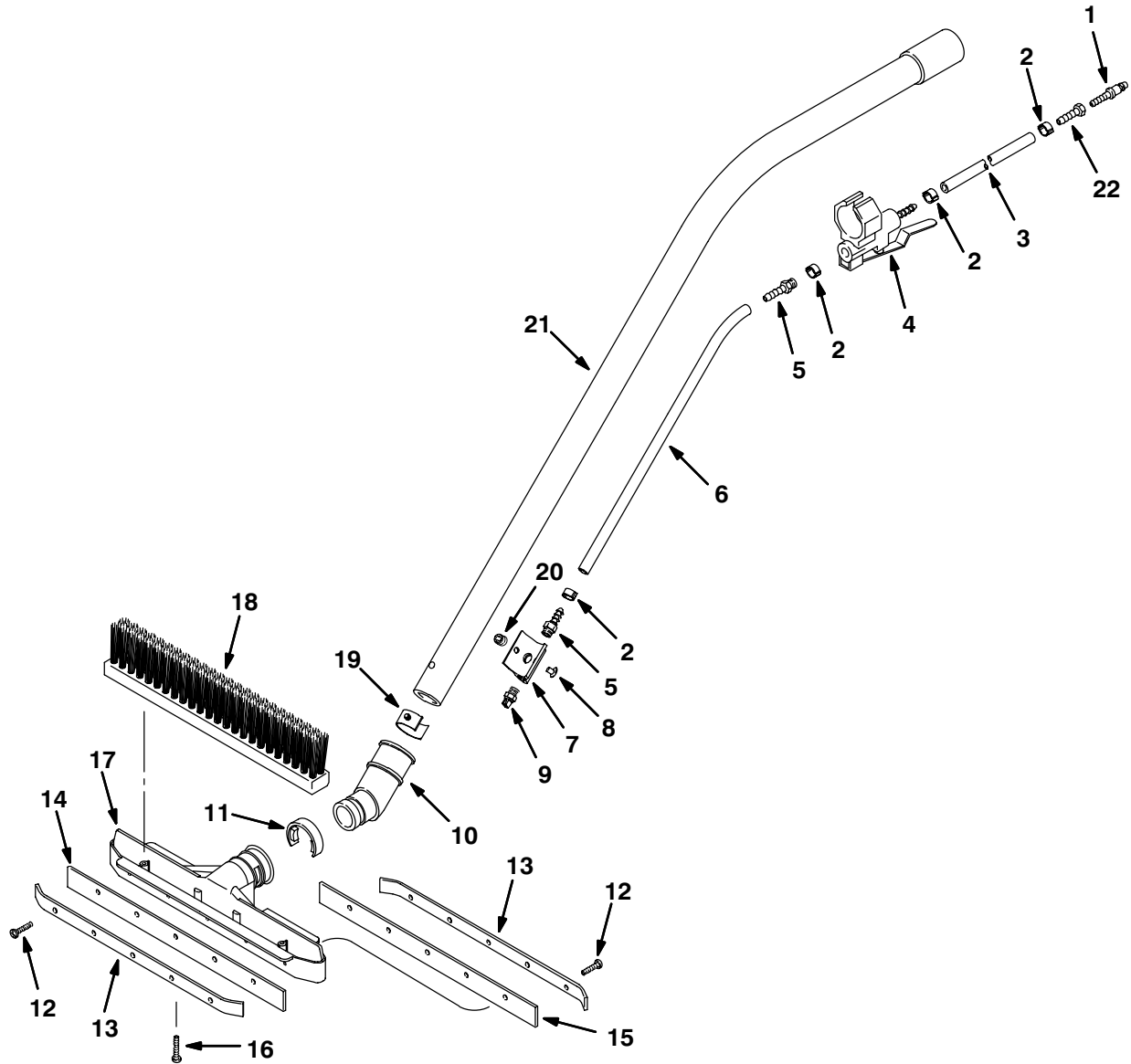
| REF | PART # | DESCRIPTION | QTY. |
|-----|--------|-------------------------|------|
| ▽ | 630732 | WAND ASM., NON-POWER | 1 |
| ▲1 | 630269 | BUMPER, MUSHROOM | 2 |
| ▲2 | 579113 | SWIVEL, WAND ATTACHMENT | 1 |
| ▲3 | 579132 | RING, ATTACHMENT | 1 |
| ▲4 | 579135 | SCREW, SELF TD UNITED | 10 |
| ▲5 | 579103 | RETAINER, WAND BLADE | 2 |

▽ ASSEMBLY

▲ INCLUDED IN ASSEMBLY

| REF | PART # | DESCRIPTION | QTY. |
|-----|--------|-----------------------------|------|
| ▲6 | 579239 | SQUEEGEE, BLADE, FRONT WAND | 1 |
| ▲7 | 579230 | SQUEEGEE, BLADE, REAR WAND | 1 |
| ▲8 | 579147 | SCREW, SELF-TAP, #6, 1.5" | 2 |
| ▲9 | 579101 | HEAD, WAND | 1 |
| ▲10 | 579102 | BRUSH, WAND (TWO ROW) | 1 |
| ▲11 | 579187 | CLIP, SPRING | 1 |
| ▲12 | 579109 | WAND, SINGLE BEND | 1 |

POWER WAND ASSEMBLY



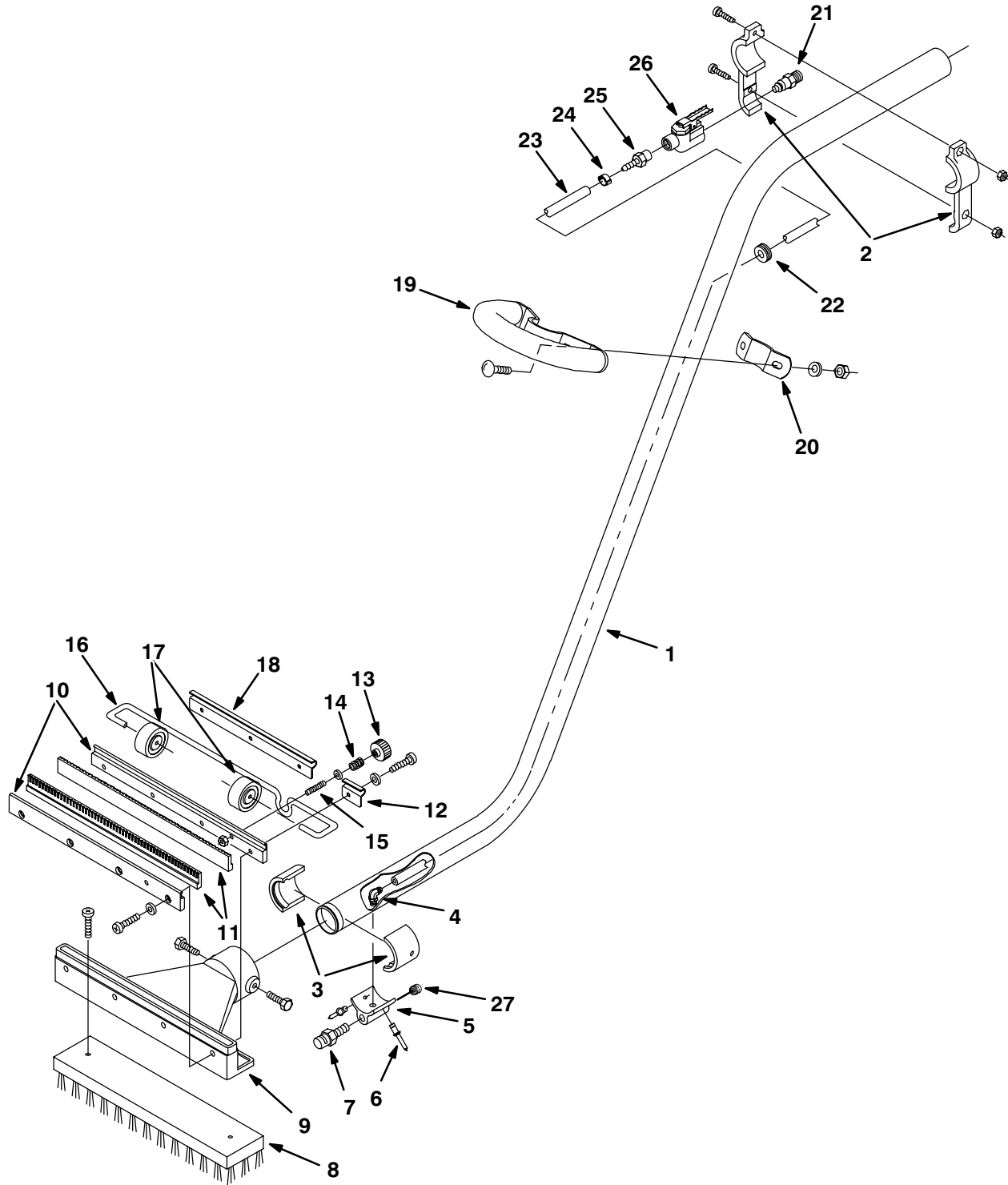
| REF | PART # | DESCRIPTION | QTY. |
|-----|-----------|----------------------------|------|
| ▽ | 579908 | WAND ASM., POWER | 1 |
| ▲1 | 578091000 | PLUG, QUICK CONNECT | 1 |
| ▲2 | 578160000 | CLAMP, HOSE | 4 |
| ▲3 | 579168 | HOSE, RELIEF | 1 |
| ▲4 | 579107 | VALVE, WATER CONT. | 1 |
| ▲5 | 150525 | HOSE BARB, 1/8" M X 1/4" H | 2 |
| ▲6 | 579146 | HOSE, WAND WATER FEED | 1 |
| ▲7 | 579112 | ADAPTOR, SPRAY NOZZLE | 1 |
| ▲8 | 579198 | RIVET, POP | 2 |
| ▲9 | 579137 | SPRAY NOZZLE | 1 |
| ▲10 | 579113 | SWIVEL, WAND ATTACHMT | 1 |
| ▲11 | 579132 | RING, ATTACHMENT | 1 |

| REF | PART # | DESCRIPTION | QTY. |
|-----|--------|-----------------------------|------|
| ▲12 | 579135 | SCREW, SELF TD UNITED | 10 |
| ▲13 | 579103 | RETAINER, WAND BLADE | 2 |
| ▲14 | 579239 | SQUEEGEE, BLADE, FRONT WAND | 1 |
| ▲15 | 579230 | SQUEEGEE, BLADE, REAR WAND | 1 |
| ▲16 | 579147 | SCREW, SELF - TAP, #6, 1.5" | 2 |
| ▲17 | 579101 | HEAD, WAND | 1 |
| ▲18 | 579102 | BRUSH, WAND (TWO ROW) | 1 |
| ▲19 | 579187 | CLIP, SPRING | 1 |
| ▲20 | 150208 | PLUG, SCKT HD 1/8" | 1 |
| ▲21 | 579109 | WAND, SINGLE BEND 31.8 | 1 |
| ▲22 | 150510 | FITTING, 1/4F X 1/4H BARB | 1 |

▽ ASSEMBLY

▲ INCLUDED IN ASSEMBLY

DELUXE POWER WAND ASSEMBLY



DELUXE POWER WAND ASSEMBLY

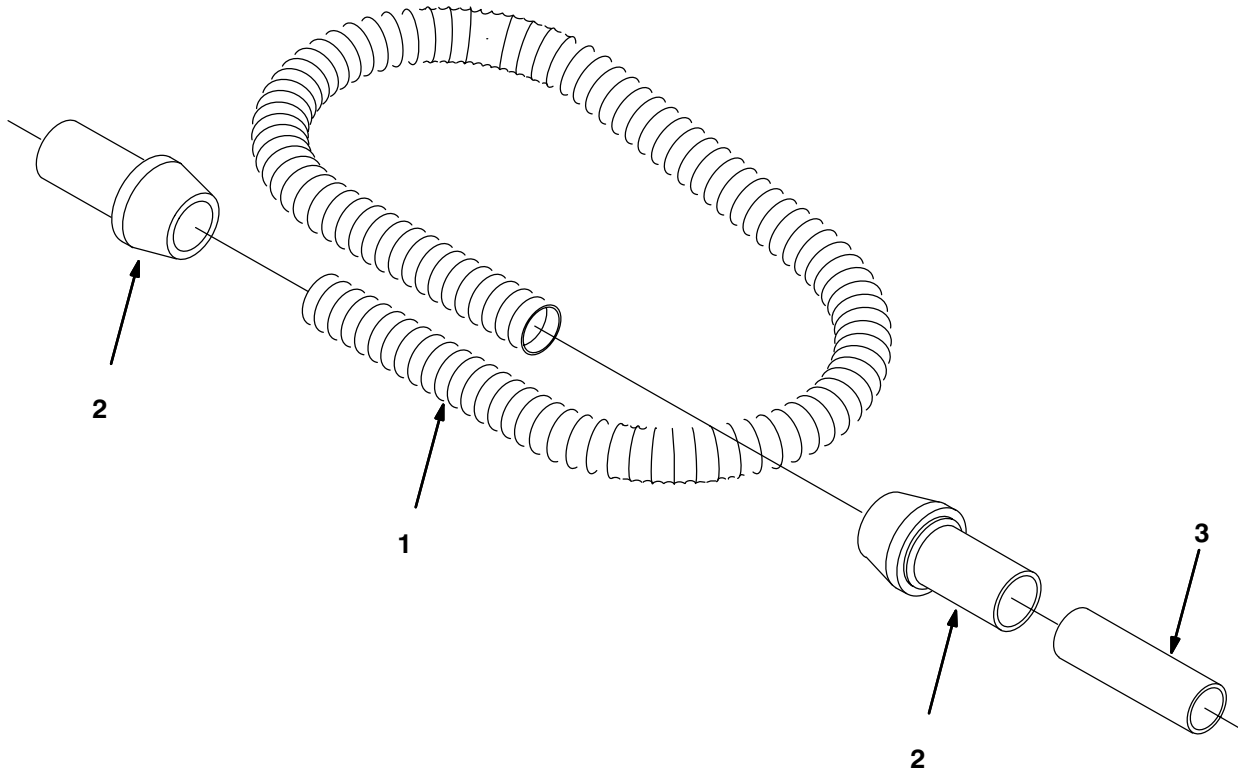
| REF | PART # | DESCRIPTION | QTY. |
|-----|-----------|-------------------------------------|------|
| ▽ | 578905000 | WAND ASM., DELUXE POWER | 1 |
| ▲1 | 578060000 | WAND, DOUBLE BEND | 1 |
| ▲2 | 578077000 | BRACKET, VALVE MOUNTING, WAND | 1 |
| ▲3 | 578061000 | ADAPTER, HEAD/WAND | 2 |
| ▲4 | 578214000 | FITTING, ELBOW, 0.25"HOSE, 0.12"NPT | 1 |
| ▲5 | 579112 | ADAPTER, SPRAY NOZZLE | 1 |
| ▲6 | 579198 | RIVET, POP, .156, .312, .384 | 2 |
| ▲7 | 578066000 | SPRAY NOZZLE, .125" NPT, 75 DEG. | 1 |
| ▲8 | 578073000 | BRUSH, DECK, POLYPRO BLOCK | 1 |
| ▲9 | 578063000 | HEAD, WAND | 1 |
| ▲10 | 578078000 | RETAINER, SQUEEGEE WAND | 2 |
| ▲11 | 578074000 | BLADE, SQUEEGEE WAND | 2 |
| ▲12 | 578124000 | BRACKET, AXLE | 1 |
| ▲13 | 578439 | NUT, THUMB | 1 |

| REF | PART # | DESCRIPTION | QTY. |
|-----|-----------|--------------------------------|------|
| ▲14 | 578228000 | SPRING, COMPRESSION | 1 |
| ▲15 | 578143000 | M6, 40MM LG., ADJUST. STUD | 1 |
| ▲16 | 578126000 | AXLE, WAND | 1 |
| ▲17 | 578125000 | WHEEL, GUIDE, WAND | 2 |
| ▲18 | 578123000 | BRACKET, AXLE | 1 |
| ▲19 | 578155000 | HANDLE, WAND | 1 |
| ▲20 | 578154000 | BRACKET, HANDLE, WAND | 1 |
| ▲21 | 578091000 | PLUG, MALE QUICK-CONN | 1 |
| ▲22 | 578164000 | GROMMET | 1 |
| ▲23 | 578821000 | HOSE, SOLUTION, WAND | 1 |
| ▲24 | 578161000 | CLAMP, HOSE | 1 |
| ▲25 | 578094000 | 1/4 HOSEBARB, 1/4NPT MALE PIPE | 1 |
| ▲26 | 578064000 | VALVE, WATER CONTROL, WAND | 1 |
| ▲27 | 150208 | PLUG, SCKT HD 1/8" | 1 |

▽ ASSEMBLY

▲ INCLUDED IN ASSEMBLY

NON-POWER WAND HOSE ASSEMBLY



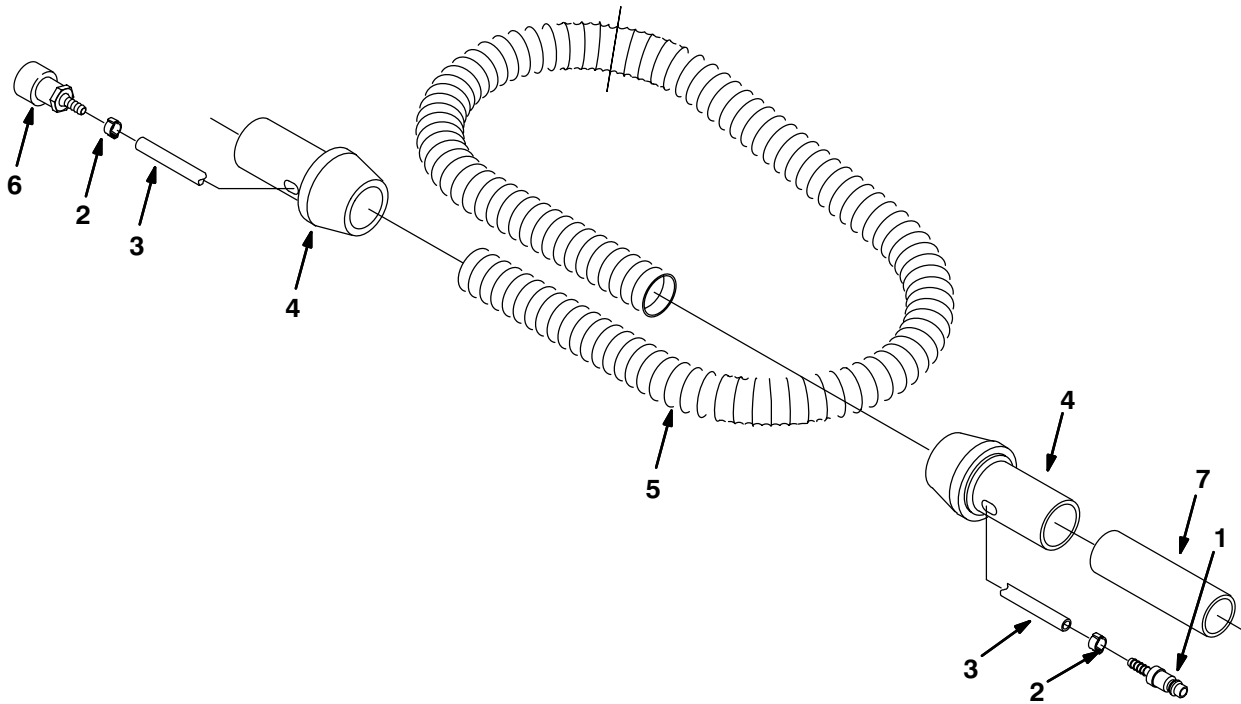
| REF | PART # | DESCRIPTION | QTY. |
|-----|-----------|-----------------------------------|------|
| ▽ | 630739 | HOSE ASM., NON-POWER WAND | 1 |
| ▲1 | 578276000 | HOSE, VACUUM 38.1DIA X 3.05M GRAY | 1 |

| REF | PART # | DESCRIPTION | QTY. |
|-----|--------|---------------------------|------|
| ▲2 | 630449 | CUFF, HOSE SOFT DIA 38.1M | 2 |
| ▲3 | 231031 | SLEEVE, 1-1/2DIA X 5"LG | 1 |

▽ ASSEMBLY

▲ INCLUDED IN ASSEMBLY

POWER WAND HOSE ASSEMBLY



| REF | PART # | DESCRIPTION | QTY. |
|-----|-----------|-----------------------------|------|
| ▽ | 578903000 | HOSE ASM., POWER WAND | 1 |
| ▲1 | 578318000 | FITTING, QUICK CONCT MALE | 1 |
| ▲2 | 578160000 | CLAMP, HOSE 11-13MM | 2 |
| ▲3 | 578820000 | HOSE, .25ID, .44OD, 4.0M LG | 1 |

▽ ASSEMBLY

▲ INCLUDED IN ASSEMBLY

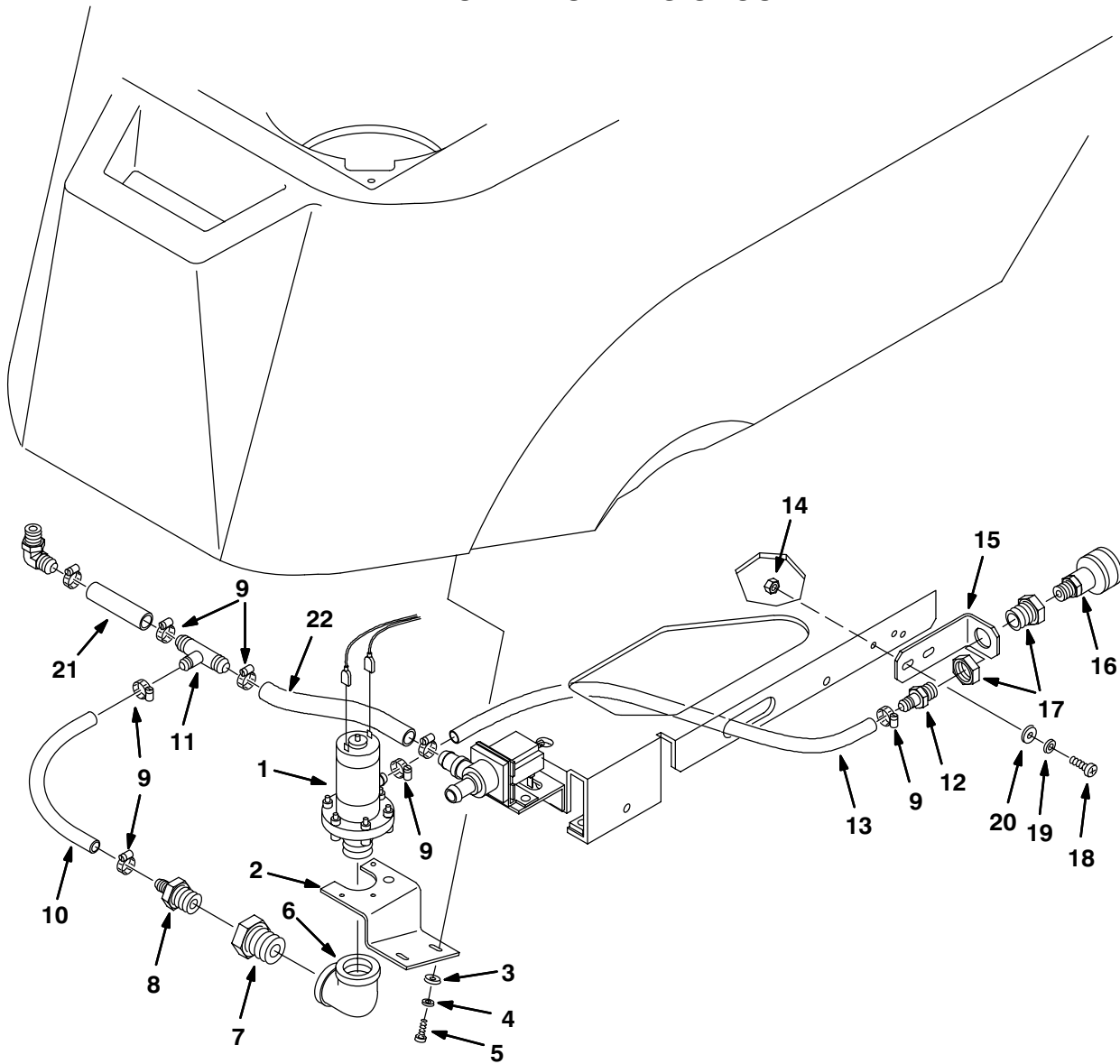
| REF | PART # | DESCRIPTION | QTY. |
|-----|-----------|------------------------------------|------|
| ▲4 | 578072000 | CUFF, SWIVEL, 38.1DIA BLK | 2 |
| ▲5 | 578276000 | HOSE, VACUUM, 38.1DIA X 3.05M GRAY | 1 |
| ▲6 | 578071000 | CONNECTOR, QUICK CONCT FEMALE | 1 |
| ▲7 | 231031 | SLEEVE, 1-1/2"DIA X 5"LG | 1 |

ACCESSORY CONSOLE GROUP

| REF | PART # | DESCRIPTION | QTY. |
|-----|-----------|--|------|
| | 607486 | KIT, KEY SWITCH/HOUR METER | 1 |
| | 607487 | KIT, ES [™] /KEY SWITCH/HOUR METER | 1 |
| | 607488 | KIT, ES [™] /KEY SWITCH/HOUR METER/WAND PUMP | 1 |
| | 607489 | KIT, WAND PUMP | 1 |
| | 607490 | KIT, KEY SWITCH/HOUR METER/WAND PUMP | 1 |
| | 607491 | KIT, KEY SWITCH/HOUR METER/AUTO STOP BUTTON | 1 |
| | 607492 | KIT, ES [™] /KEY SWITCH/HOUR METER/AUTO STOP BUTTON | 1 |
| | 607493 | KIT, ES [™] /WAND PUMP/KEY SWITCH/HOUR METER/AUTO STOP BUTTON | 1 |
| | 607494 | KIT, WAND PUMP/KEY SWITCH/HOUR METER/AUTO STOP BUTTON | 1 |
| 1 | 630140 | CONSOLE, 20" SCRUBBER | 1 |
| 2 | 630331 | WIRE ASSY, KEY SWITCH | 1 |
| 3 | 200070354 | SCREW, M4X30 | 2 |
| 4 | 140287 | SCREW, M4X.7X16MM | 2 |
| 5 | 140023 | WASHER, LOC INT #8 | 4 |
| 6 | 578852 | RIVET, SNAP 5.0MM | 1 |
| 7 | 630143 | METER, HOUR, 18-60VDC | 1 |
| 8 | 630142 | LIGHT, PILOT, 24V, BLUE | 1 |
| 9 | 630145 | TIMER, 24VDC, RANGE: 30SEC | 1 |
| 10 | 630419 | SWITCH, RCKR, SPST, 24VDC, GREEN | 2 |

| REF | PART # | DESCRIPTION | QTY. |
|-----|-----------|-------------------------------------|------|
| 11 | 607475 | SWITCH, KEYLOCK 12-AMP | 1 |
| 12 | 607821 | KEY, REPLACEMENT, STEEL | 2 |
| 13 | 630237 | DECAL, ES/KEY/HR/LIGHT/WP (OPTION) | 1 |
| | 630236 | DECAL, ES/KEY/HR MTR/LIGHT (OPTION) | 1 |
| | 630238 | DECAL, WAND PUMP (OPTION) | 1 |
| | 630239 | DECAL, KEY/HR/W. PUMP (OPTION) | 1 |
| | 630235 | DECAL, KEY/HOUR METER (OPTION) | 1 |
| 14 | 630334 | SCREW, S-TAP, #6 | 1 |
| 15 | 606499 | HARNESS, WIRE ES OPTION | 1 |
| 16 | 630342 | HARNESS, WIRE ES | 1 |
| 17 | 606502 | HARNESS, ACCESSORY | 1 |
| 18 | 630097 | SWITCH, CONTACT BLOCK | 1 |
| 19 | 630100 | SWITCH, PUSHBUTTON | 1 |
| 20 | 630266 | WIRE ASSY | 1 |
| 21 | 578720 | SPLASH GUARD, ROCKER SWITCH | 2 |
| 22 | 601271 | STUD, M4X.7X1.00 | 2 |
| 23 | 140023 | WASHER, #8 INT | 2 |
| 24 | 140026 | WASHER, #6 FLAT | 1 |
| 25 | 200102014 | NUT, M4 X .7 HEX | 2 |
| 26 | 579178 | O-RING, SPONGE | 1 |
| 27 | 140018 | WASHER, #10 INT | 1 |

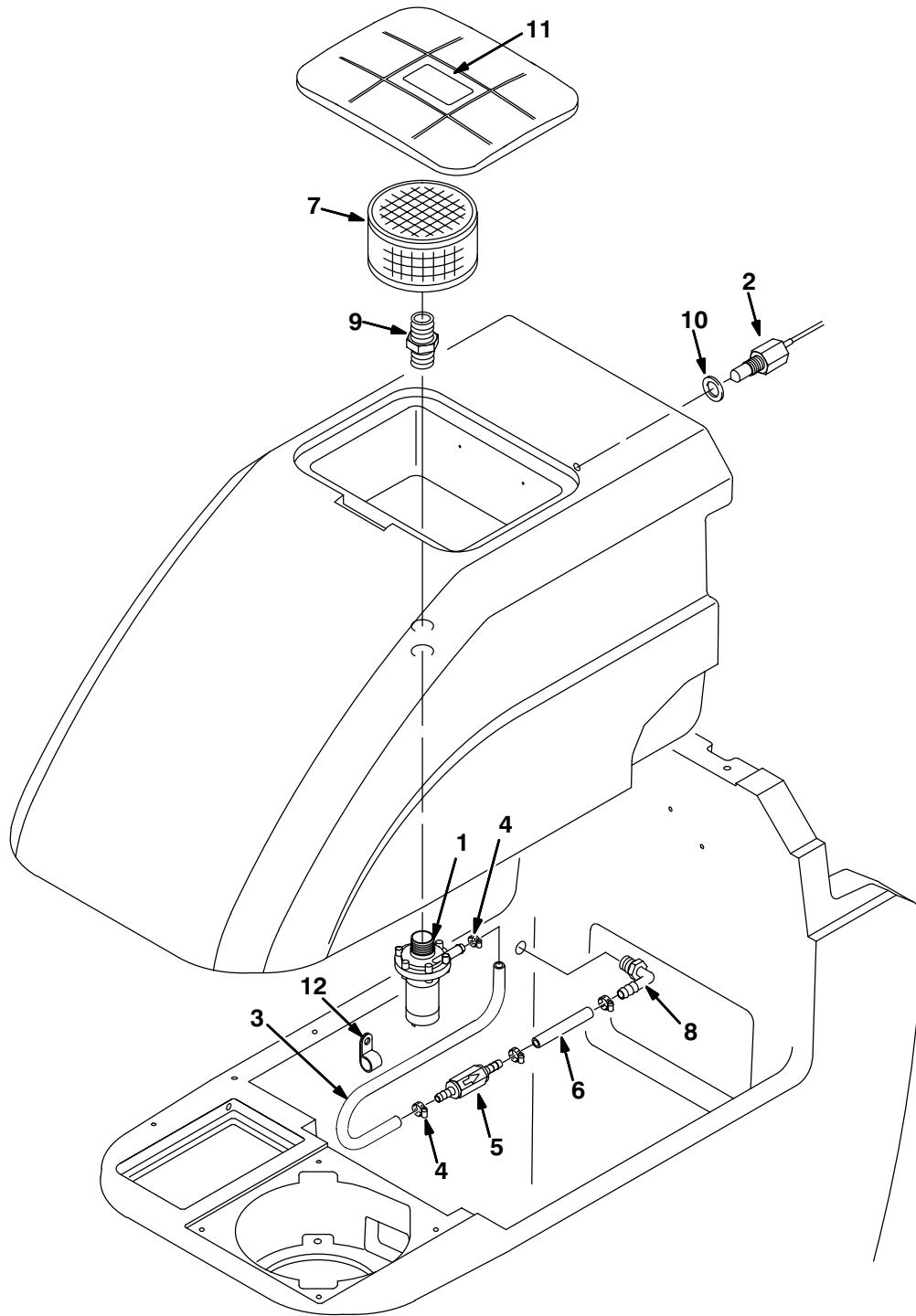
WAND PUMP PLUMBING GROUP



| REF | PART # | DESCRIPTION | QTY. |
|-----|-----------|-----------------------------|------|
| 1 | 630136 | PUMP, 24VDC | 1 |
| 2 | 630335 | BRACKET, MTG, PUMP | 1 |
| 3 | 200315016 | WASHER, 5.3X15.0X1.6 FLAT | 2 |
| 4 | 140018 | WASHER, LOC INT #10 | 2 |
| 5 | 200070384 | SCREW, M5X14 | 2 |
| 6 | 630251 | FITTING, E90, .75 FORGED | 1 |
| 7 | 630252 | FITTING, BUSHING, 3/4MX3/8F | 1 |
| 8 | 150538 | HOSE BARB, 3/8MX3/8H | 1 |
| 9 | 140310 | CLAMP, HOSE 5/16-7/8 | 6 |
| 10 | 630417 | HOSE, 165MM WAND PUMP | 1 |
| 11 | 630372 | FITTING, TEE | 1 |

| REF | PART # | DESCRIPTION | QTY. |
|-----|-----------|--|------|
| 12 | 150516 | FITTING, BARB | 1 |
| 13 | 630418 | HOSE, 700MM | 1 |
| 14 | 579029 | NUT, M6X1.0 | 2 |
| 15 | 630256 | BRACKET, MTG QUICK CON. | 1 |
| 16 | 608292 | FITTING, QUICK DISC FEMALE 3/8X1/4 NPT | 1 |
| 17 | 150300 | CONNECTOR, ANCHOR | 1 |
| 18 | 608322 | SCREW, M6X1.0X16 | 2 |
| 19 | 578244000 | WASHER-LOC INT, M6 | 2 |
| 20 | 579210 | WASHER, FLAT 6.L4, 18.0, 1.5 | 2 |
| 21 | 140957 | HOSE, 1/2IDX2-1/2 | 1 |
| 22 | 606241 | HOSE, 1/2IDX6 | 1 |

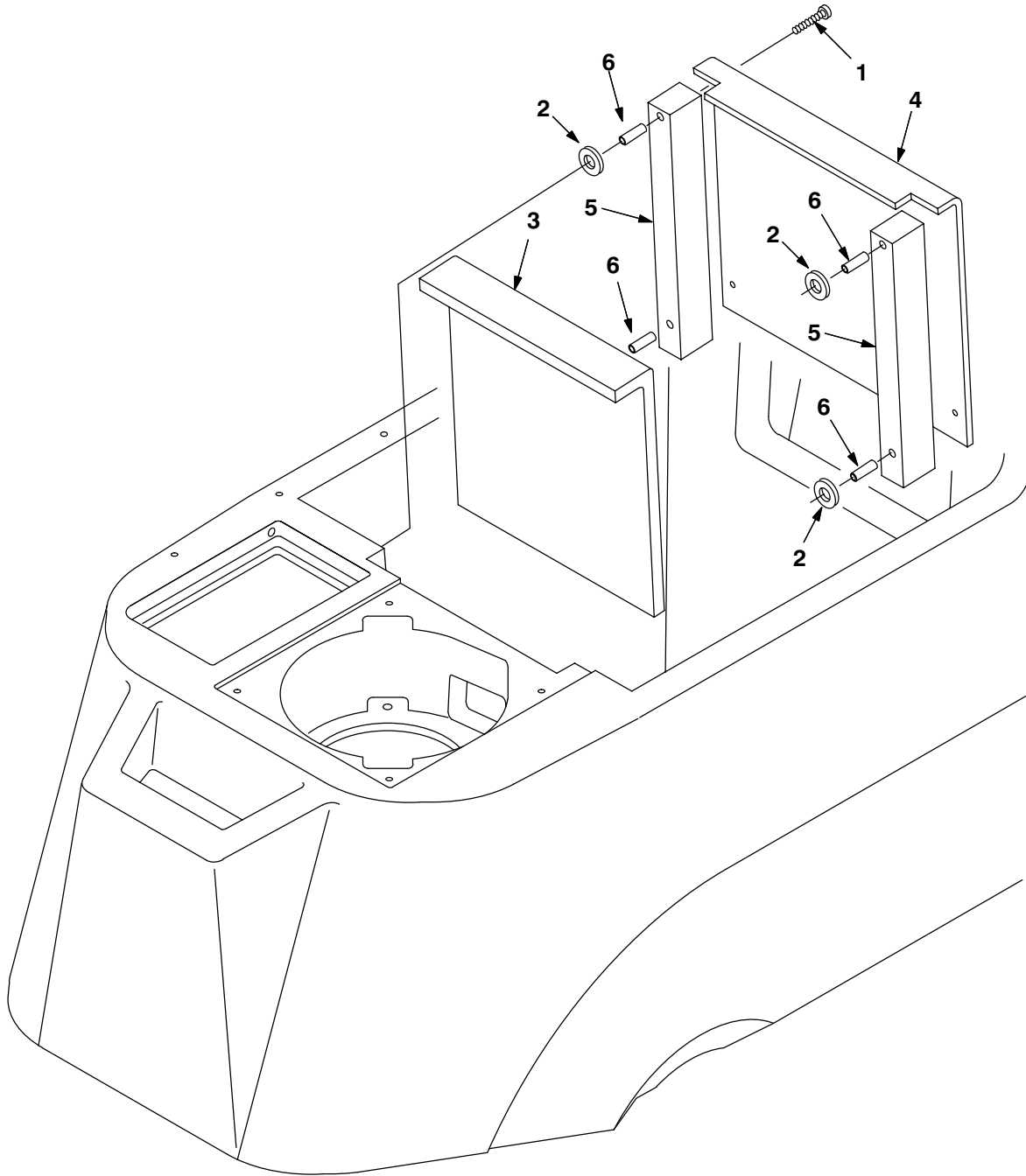
ES™ PLUMBING GROUP



| REF | PART # | DESCRIPTION | QTY. |
|-----|--------|------------------------------------|------|
| 1 | 630136 | PUMP, 24VDC | 1 |
| 2 | 630137 | SENSOR, WATER LEVEL | 1 |
| 3 | 605282 | TUBING, 5/8OD X 3/8ID X 21.75FT LG | 1 |
| 4 | 140310 | CLAMP, HOSE 5/16-7/8 | 4 |
| 5 | 210044 | VALVE, CHECK | 1 |
| 6 | 605282 | TUBING, 5/8OD X 3/8ID X 5.25FT LG | 1 |

| REF | PART # | DESCRIPTION | QTY. |
|-----|--------|-----------------------------|------|
| 7 | 630138 | FILTER, SCREEN | 1 |
| 8 | 150412 | FITTING, 3/8MX3/8H ELBOW | 1 |
| 9 | 630385 | FITTING, NIPPLE | 1 |
| 10 | 630479 | WASHER, NYLON | 1 |
| 11 | 630440 | DECAL, DO NOT REMOVE FILTER | 1 |
| 12 | 140314 | CLAMP, INSULATED | 1 |

SOUND KIT



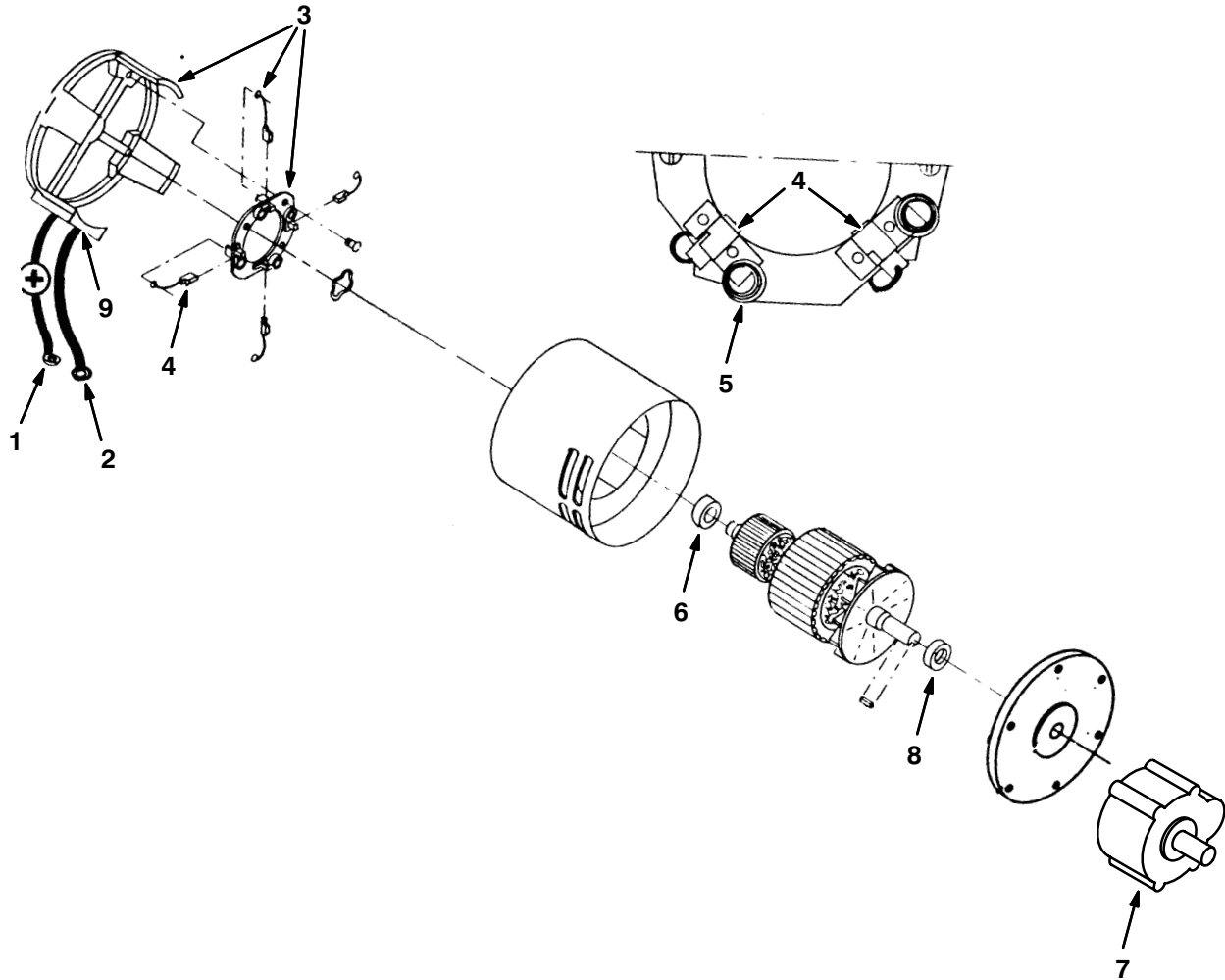
| REF | PART # | DESCRIPTION | QTY. |
|-----|-----------|------------------------|------|
| ▽ | 630735 | KIT, SOUND LOW DB | 1 |
| ▲1 | 600393 | SCREW, M5 X 40MM FLTHD | 4 |
| ▲2 | 200315016 | WASHER, FLAT | 4 |
| ▲3 | 630441 | SOUND COVER, FOAM | 1 |

| REF | PART # | DESCRIPTION | QTY. |
|-----|--------|--------------------|------|
| ▲4 | 630395 | SOUND COVER, PLATE | 1 |
| ▲5 | 630397 | SOUND SIDE, FOAM | 2 |
| ▲6 | 630398 | SPACER | 4 |

▽ ASSEMBLY

▲ INCLUDED IN ASSEMBLY

ELECTRIC MOTOR BREAKDOWN



| REF | PART # | DESCRIPTION | QTY. |
|-----|--------|--|------|
| ▽ | 605054 | MOTOR, .75HP 270RPM 24VDC | 1 |
| ▲1 | 610890 | LEAD ASSEMBLY (POSITIVE) W/ MARKER | 1 |
| ▲2 | 610891 | LEAD ASSEMBLY (NEGATIVE) | 1 |
| ▲▽3 | 630608 | COMMUTATOR BRACKET ASSY (INCLUDING BRUSH BOARD ASSY) | 1 |

| REF | PART # | DESCRIPTION | QTY. |
|-----|-----------|------------------|------|
| ▲▲4 | 612410000 | BRUSH ASSEMBLY | 4 |
| ▲▲5 | 602131000 | BRUSH SPRING | 4 |
| ▲6 | 602088000 | BEARING | 1 |
| ▲7 | 630609 | GEARBOX ASSEMBLY | 1 |
| ▲8 | 630607 | BEARING | 1 |
| ▲9 | 630612 | STRAIN RELIEF | 2 |

▽ ASSEMBLY

▲ INCLUDED IN ASSEMBLY