



Electronic Service Manuals

This electronic document is provided as a service to our customers. We do not create the contents of the information contained in this document. Should you have detailed questions pertaining to the information contained in this document, you may contact Michco, or the manufacturer which provided the original information in this electronic deliverable. Michco's only part in this electronic deliverable was the electronic assembly process. By providing this manual on line we are not guaranteeing parts availability.

You may contact Michco through the following methods:

Phone (517) 484-9312 or (800) 331-3339

2011 N. High St. -- Lansing, Michigan -- 48906

Fax: (517) 484-9836

Email: CustServe@Michco.com

Web site: www.Michco.Com

Parts Web site: www.FloorMachineParts.Com

Order Parts on Line at:

www.FloorMachineParts.Com

Directly to Parts & Service:

By Email: **Shop@Michco.com**

By Fax: (517) 702-2041

By Voice: Use numbers above.

Serving the Cleaning Industry Since 1922

Notice: All copyrighted material remains property of original owners, all trademarks are property of respective owners. Manuals are subject to Manufacturer's reproduction limitations. Originals or reproductions were provided by manufacturers through a request. We make no warranty as to the correctness of information provided in this document and you assume all risk. By placing these manuals on line we are not declaring our corporation to be an manufacturer authorized dealer or provider, please check our web site for authorized manufacturers we represent.

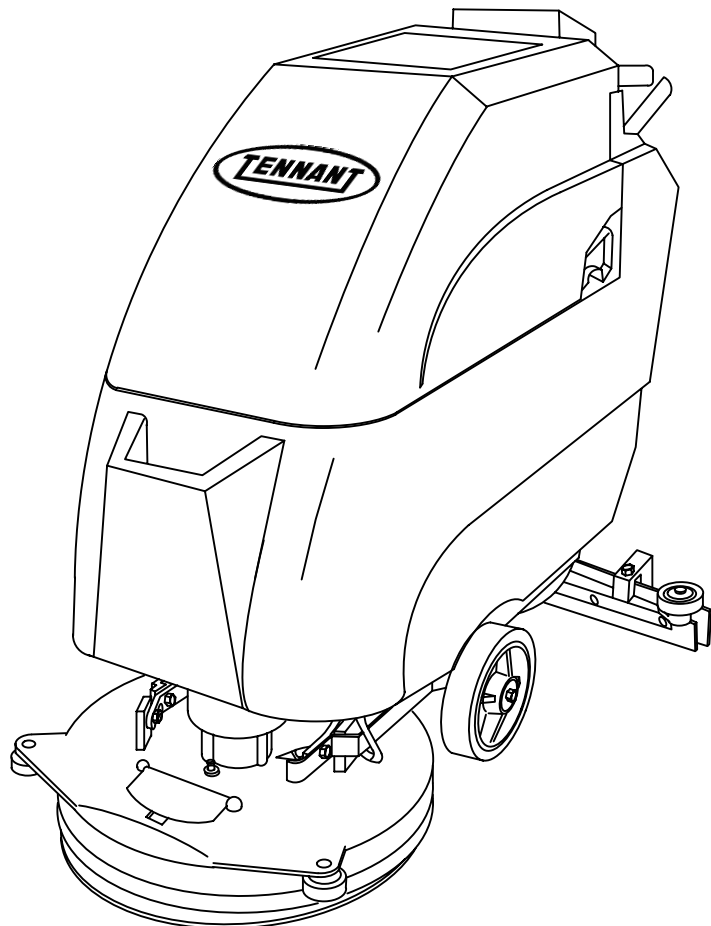


5300

Automatic Scrubber

Model No.:
300000PAC
300000
603053

Operator and Parts Manual



TENNANT COMPANY
Commercial Products
12875 RANSOM STREET
HOLLAND MI 49424 U.S.A.

FAX: 1-800-678-4240
CUSTOMER SERVICE: 1-800-982-7658

173420
Rev. 03 (04-99)

Fig. 1 – Replacement Brushes

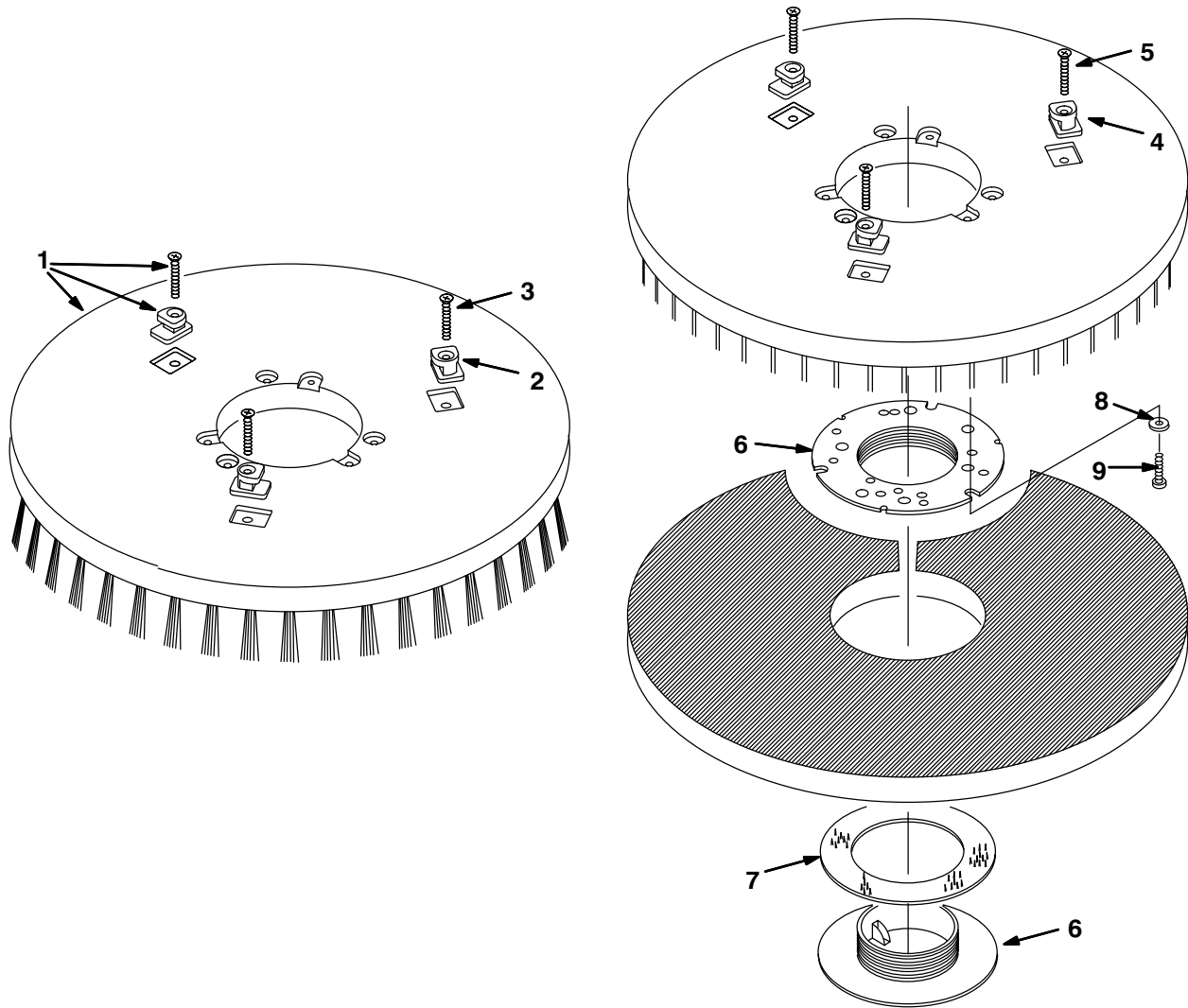


Fig. 1 – Replacement Brushes

09139/09129

Ref.	Part No.	Description	Qty.
▽ 1	222301	Brush Asm, 20" Nylon Plas Back	1
▲ 2	630214	Stud, 20" Brush/Pad Driver	3
▲ 3	140193	Screw, M6 X 1.0 X 40 FLHDCP	3
▽ 1	222300	Brush Asm, 20" Poly Plas Back	1
▲ 2	630214	Stud, 20" Brush/Pad Driver	3
▲ 3	140193	Screw, M6 X 1.0 X 40 FLHDCP	3
▽ 1	222302	Brush Asm, 20" Grit Plas Back	1
▲ 2	630214	Stud, 20" Brush/Pad Driver	3
▲ 3	140193	Scr-Flt M 6X1.0 40 4.8 Pltld	3
▽ 1	222303	Brush Asm, 20" Plas Back	1
▲ 4	630214	Stud, 20" Brush/Pad Driver	3
▲ 5	140193	Screw, M6 X 1.0 X 40 FLHDCP	3
▲ 6	630473	Center Lock, Pad Retainer	1
▲ 7	630472	Washer Brush Pad Retainer	1
▲ 8	140007	Washer, #8 Flat SAE	3
▲ 9	200 070 351	Screw, PANPHL M4 X 25	3

Fig. 2 – Scrub Brush Drive Group

Ref.	Part No.	Description	Qty.
▽ 1	630035	Motor, Ele, 24Vdc .75Hp 270Rpm (for breakdown see page 101)	1
▲ 2	630454	Key, Square .25 X 1.12 LG	1
3	603012	Knob, Hub Lock	1
4	630308	Pin, Head Stop	1
5	630310	Spring, Head Stop	1
6	630027	Skirt, Scrbr Head Std.	1
7	630506	Skirt, Scrbr Head, Heavy Duty	1
8	630049	Band Assy, Skirt Std.	1
	602 045 000	Band, Skirt Heavy Duty	1.6m
	602 044 000	Clasp, Band Heavy Duty	1
9	140012	Washer, 3/16 Flat	4
10	630613	Skid Strip, 1.524M/60" Standard Skirt	1
▽ 11	630603	Kit, Brush Door w/Decal	1
▲ 12	578769	Decal, Moving Parts Textless	1
13	630039	Hub, Drive, Brush, 20", Machnd	1
14	200 101 017	Nut, M8 X 1.25 HexJam	2
15	200 160 017	Nut, M8 HexLck	2
16	630475	Gasket, Water Deflector, 450Mm	1
17	579184	Wheel, Rubber, Dia51 X 22W	2
18	630430	Screw, M8 X 1.25 X 50Mm HxHdCp	2
19	579028	Nut Hxlocnyln M 6X1.0	1
20	630213	Deflector, Water	1
21	578 208 000	Screw, M6 X 1.0 X 55Mm HxHdCp	1
22	630272	Spacer, .28 X .38 X 1.3 Nylon	1
23	059 650 308	Screw, Hex .38-16X1.00	4
24	140028	Washer, Flat 3/8 USS	4
25	140017	Washer, Split Lock 3/8"	4
26	069 760 023	Washer, Flat, .77", 1.26, .03	2
27	140015	Washer, Split Lock 5/16"	1
28	069 764 631	Washer, Flat, 08.4MM, 25.4, 4.8	1
29	140219	Screw, 5/16-18 X 1 HxHdCp	1
30	14880.5	Washer, Flat 5/16	2
31	200 370 019	Washer, Lock, Int., 08.4ID	2
32	630446	Washer, Nylon, .31"	4
33	630309	Screw, Head Stop Pin	1
34	630026	Head, Scrubber 20"	1

Fig. 3 – Scrub Head Lift Group

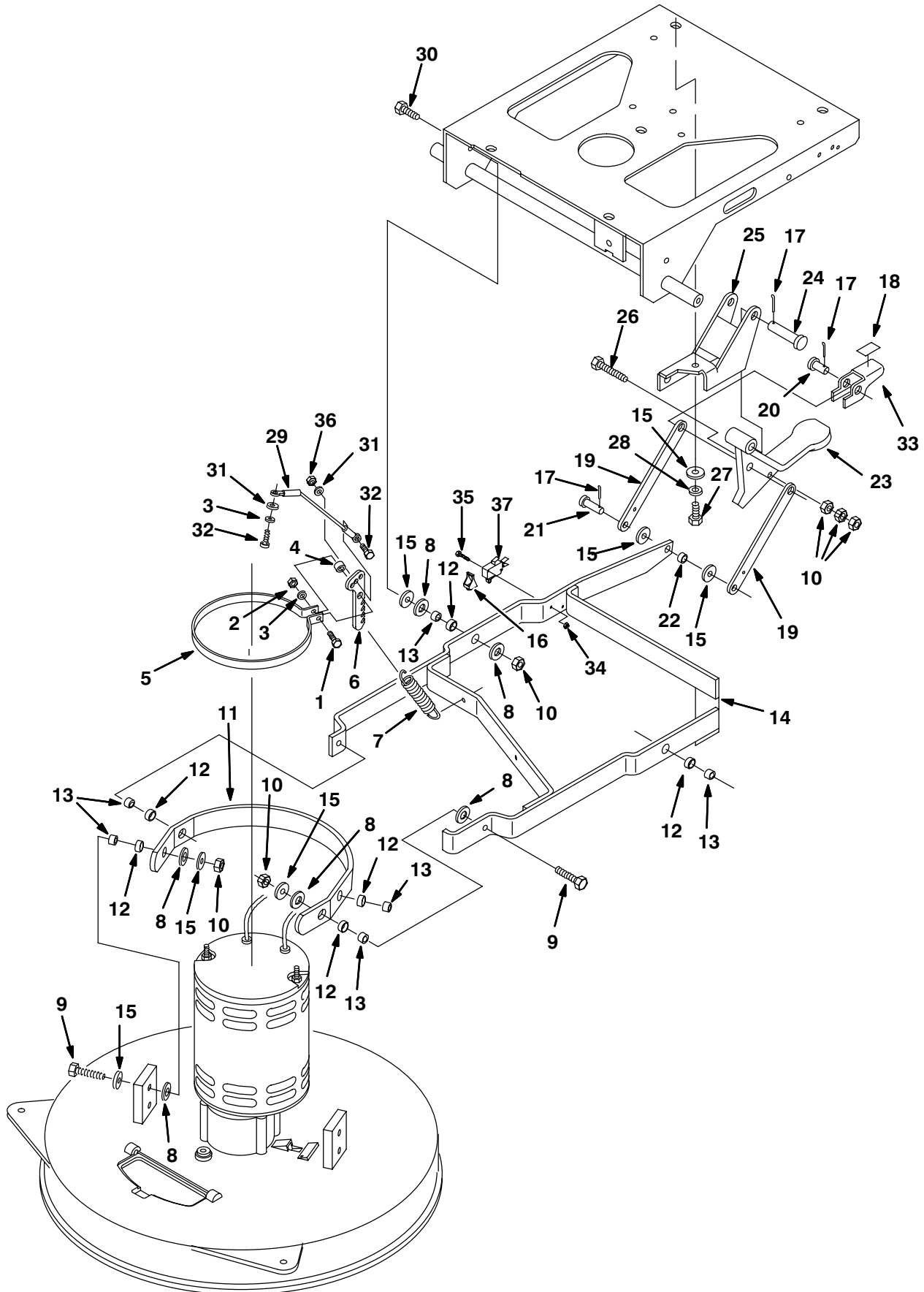


Fig. 3 – Scrub Head Lift Group

Ref.	Part No.	Description	Qty.
1	200 031 444	Screw, Hex M6 X 1.0 X 30, Zp	1
2	579029	Nut, Hx Std M6 X 1.0	1
3	578 244 000	Washer, 6.4 X 10.0 Lck	1
4	140154	Spacer, .26 X .375 X .312	1
5	630050	Band, Motor Spring Mnt	1
6	630377	Bracket, Scrub Head, Level	1
7	630208	Spring, Counter Torque, Motor	1
8	630447	Washer, Nylon, 12.7, 25.4, .8	12
9	200 031 496	Screw, Hex M8 X 1.25 X 35	4
10	200 160 017	Nut, Hex, Lock M8, Zp	9
11	630177	Bracket, Pivot, Motor	1
12	630188	Bearing, Journal .50"Id .25"Lg	6
13	630189	Sleeve, Brg 12.7Mm Od 8.7Id 08	6
14	630176	Lift, Head Traction Drive	1
15	14880.5	Washer, Flat 5/16"	11
16	600372	Boot, Limit Switch	1
17	578421	Pin, Cotter .12" X 1.00" Lg	3
18	600721	Pad, Non-Slip	1
19	630182	Arm, Link, Head Lift	2
20	600720	Pin, Clevis 1/2 X 1-19/64 Lg	1
21	630258	Pin, Clevis .38"D X 1.0Lg, Zp	1
22	630259	Bearing 9.5Id 12.7Od 6.4Lg,Brz	1
23	630181	Pedal, Foot, Head Lift	1
24	630448	Pin, Clevis, .50"Dia X 2.25"LG	1
25	630206	Bracket, Head Lift Assy	1
26	200 032 503	Screw, Hex M 8X1.25 X 60	1
27	200 031 488	Screw, Hex M 8X1.25 X 20	1
28	200 370 019	Washer Loc Int M 8, .4ID	1
29	630384	Cable, Head Level	1
30	200 607 491	Screw, M8X1.25X25 HxHdCp	2
31	140012	Washer, Flat 3/16" USS, Zinc	2
32	200 031 436	Screw, Hex Hd, M6 X 1.0 X16Mm	2
33	600719	Latch, Head Release	1
34	579211	Nut, Hex Lock, M3, SS	2
35	579213	Screw, Hex Hd, M3 X 20Mm	2
36	579028	Nut, Hex Lock, M6, Zp	1
37	600438	Kit, Switch Replacement	1

Fig. 4 – Solution Tank and Vacuum Fan Group

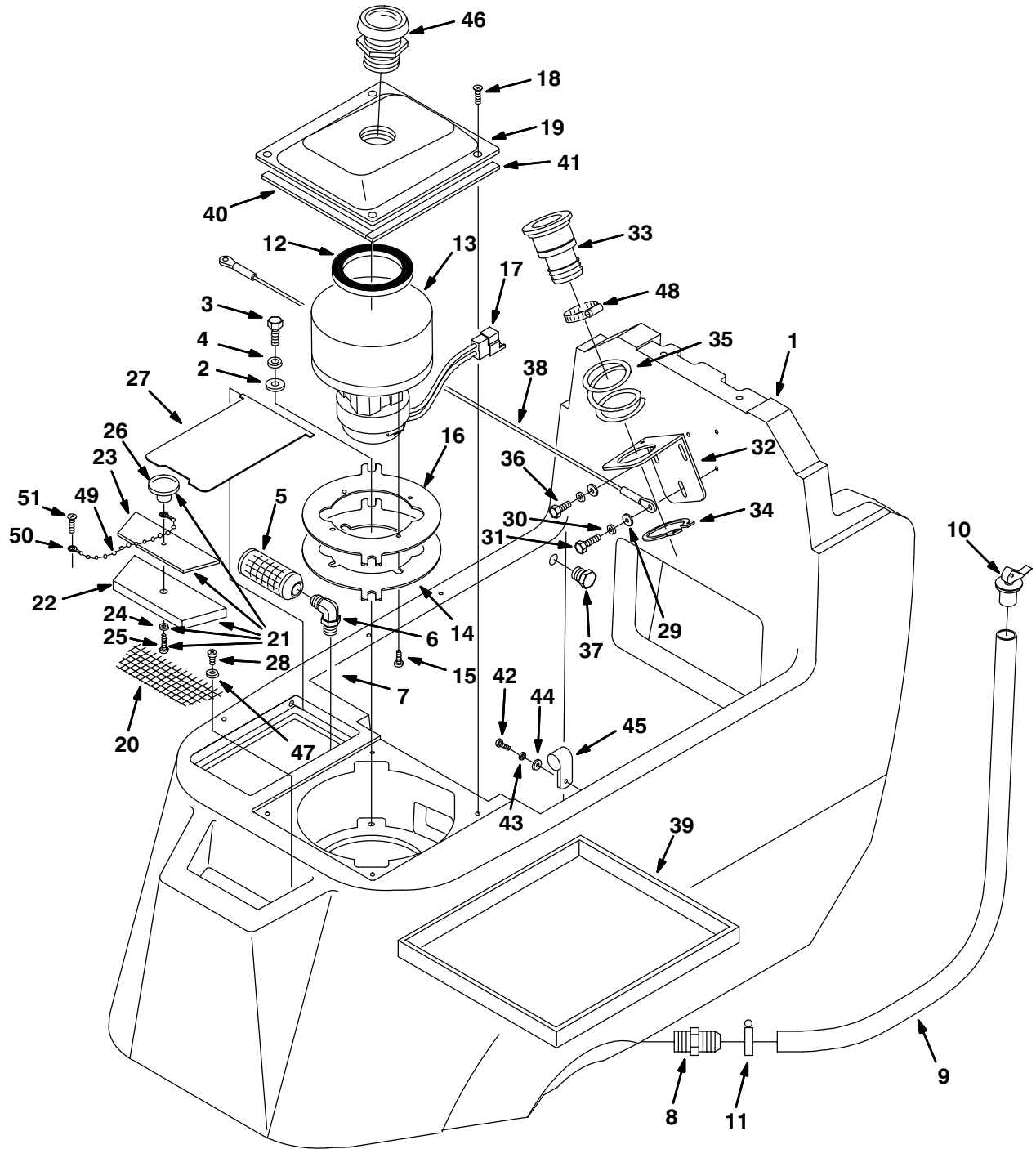


Fig. 4 – Solution Tank and Vacuum Fan Group

Ref.	Part No.	Description	Qty.
1	602698	Tank, Solution (Teal)	1
2	14880.5	Washer, Flat 5/16" USS	2
3	200 031 488	Screw, Hex M 8X1.25X20	2
4	200 370 019	Washer Loc Int M 8	2
5	630024	Filter, Solution Feed, 60 Mesh	1
6	630371	Fitting, Elbow 9.63" Hose .50NPT	1
7	601105	Sleeve, Strainer	1
8	612 146 000	Ftg, Str .75 Hose, .75 NPT	1
9	630018	Hose, 3/4 x 33"	1
10	630019	Plug, Expansion, .75ld	1
11	630369	Clamp, Hose .50–1.1	1
▽	630606	Vacuum Fan Assembly	1
▲	578424	Gasket, Foam	1
▲	603015	Motor, Ele 24Vdc 2–Stage, Vac	1
▲	190163	Brush, Carbon 2/Pk	2
▲	630013	Gasket, Brkt–Vac Motor	1
▲	140340	Scr, Pn Phil, #10 X 5/8"	4
▲	630014	Bracket, Vac Motor, 20" Scrbr	1
▲	630456	Connector, Wire Male	1
▲	630443	Terminal, Male	2
18	578 321 000	Screw, M6 X 1.0 X 16 PanPhil	4
19	630015	Cover, Vac Motor, 20" Scrbr	1
20	630006	Screen, Solution Fill	1
▽	630602	Cover Assy, Solution Tank	1
▲	630338	Cover, Sol Fill, Neoprne	1
▲	630341	Stiffener, Sol Fill Cover	1
▲	140018	Washer Loc Int #10 SS	1
▲	578 201 000	Screw, Pan Hd, Phil, #10 –32 X 1/2", Ss	1
▲	578301	Knob, Fill Cover	1
27	630007	Door, Access, Sol Tank, Abs	1
28	140826	Screw, #6 X 3/4 PanPhil	2
29	140012	Washer, 3/16 Flat	7
30	578 244 000	Washer–Loc Int M 6 .4ID 10MM	7
31	200 609 438	Screw, Hex Hd, M6 X 20, ZP	1
32	630012	Bracket, Mtg, Vac Trans	1
33	630011	Tube, Vac Trans, Flng & Brb	1
34	630016	Ring, Retaining, Ext 1.82"Dia	1
35	630267	Spring, Comp 50.8Free, 54.0Dia	1
36	200 031 436	Screw, Hex Hd, M6 X 16,ZP	2
37	630146	Plug, Nylon, .38Npt	1
38	630021	Cable Assy, Tank Sppt, 20.5"	1
39	601991	Tray, Battery	1
40	630380	Gasket, Vac Cover, 191Mm	2
41	630381	Gasket, Vac Cover, 233Mm	2
42	200 070 340	Screw, Pan Hd, Phil, M4 X .7 X 8,ZP	2
43	140023	Washer, Lock, Int, #8	2
44	200 301 014	Washer, Flat, 4.3, 10.0, 1.0, Zp	2
45	630343	Clamp, Wire, 7/8"ID	2
46	630017	Screen, Cover–Vac Fan,20"Scrbr	1
47	140032	Washer, Flat, #6 SS	2
48	140308	Clamp, Hose 1–5/16 To 2–1/4	1
49	575537	Chain, Ball #10	.12m
50	575536	Chain Coupling End	2
51	140826	Screw, Sht Mtl #6 X 3/4" Pn Phil	1

Fig. 5 – Solution Control Group

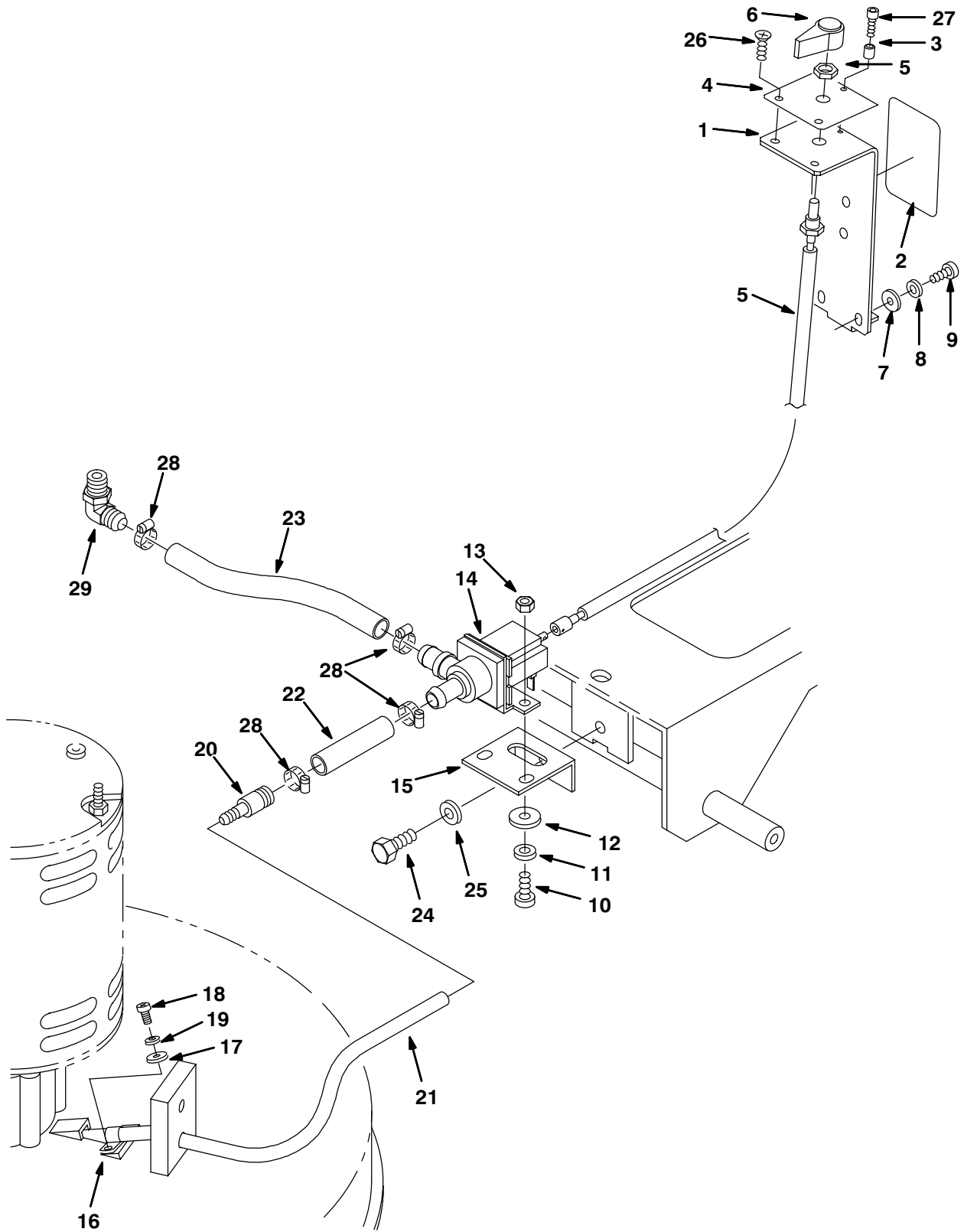


Fig. 5 – Solution Control Group

Ref.	Part No.	Description	Qty.
▽ 1	630057	Bracket, Solution Adj Knob	1
	630604	Kit, Solution Adj Bracket w/Decal	1
▲ 2	578729	Decal, Read Manual Textless	1
3	630452	Spacer, 4.3MM, 8.0MM Nylon	1
4	630233	Decal, Flow Control 5300	1
5	630117	Cable, Cont, Water Flow, 44"Lg	1
6	630116	Knob, Adj, Valve	1
7	200 315 016	Washer, Flat, 5.3MM, 15.0, 1.6	2
8	140018	Washer Loc Int #10	2
9	575 569 000	Screw, Pan Hd, Phil, M5 X 16	2
10	578 321 000	Screw, Pan Hd, Phil, M6 X 16,Zp	2
11	578 244 000	Washer, Loc Int M6 .4ID 10MM	2
12	140012	Washer, Plain, 3/16"	2
13	579029	Nut-Hx Std M 6X1.0	2
14	630022	Valve, Solenoid, 24Vdc	1
15	630059	Bracket, Valve	1
16	140328	Clamp, 3/8" Nylon	1
17	200 301 014	Washer, Flat 4.3MM, 10.1, 1.0	1
18	579259	Screw, Pan Hd, Phil, M4 X 12MM	1
19	140023	Washer, #8 INT	1
20	630164	Fitting, Str, .50Hose X .25Hose	1
21	630366	Hose, .25Id X .345MM	1
22	630370	Hose, 40MM Solenoid/Reducer	1
23	630379	Hose, 210MM Tank/Solenoid	1
24	200 031 488	Screw, Hex M8 X 1.25 X 20	1
25	200 370 019	Washer Loc Int M 8, .4ID	1
26	069 764 140	Screw, Flat Hd, Phil, M5 X 16MM	2
27	200 001 343	Screw, Soc Hd, M4 X 12MM	1
28	140310	Clamp, Hose 5/16 – 7/8	4
29	601 104 000	Ftg-E90, .50" Hose, .50" NPT	1

Fig. 6 – Recovery Tank Group

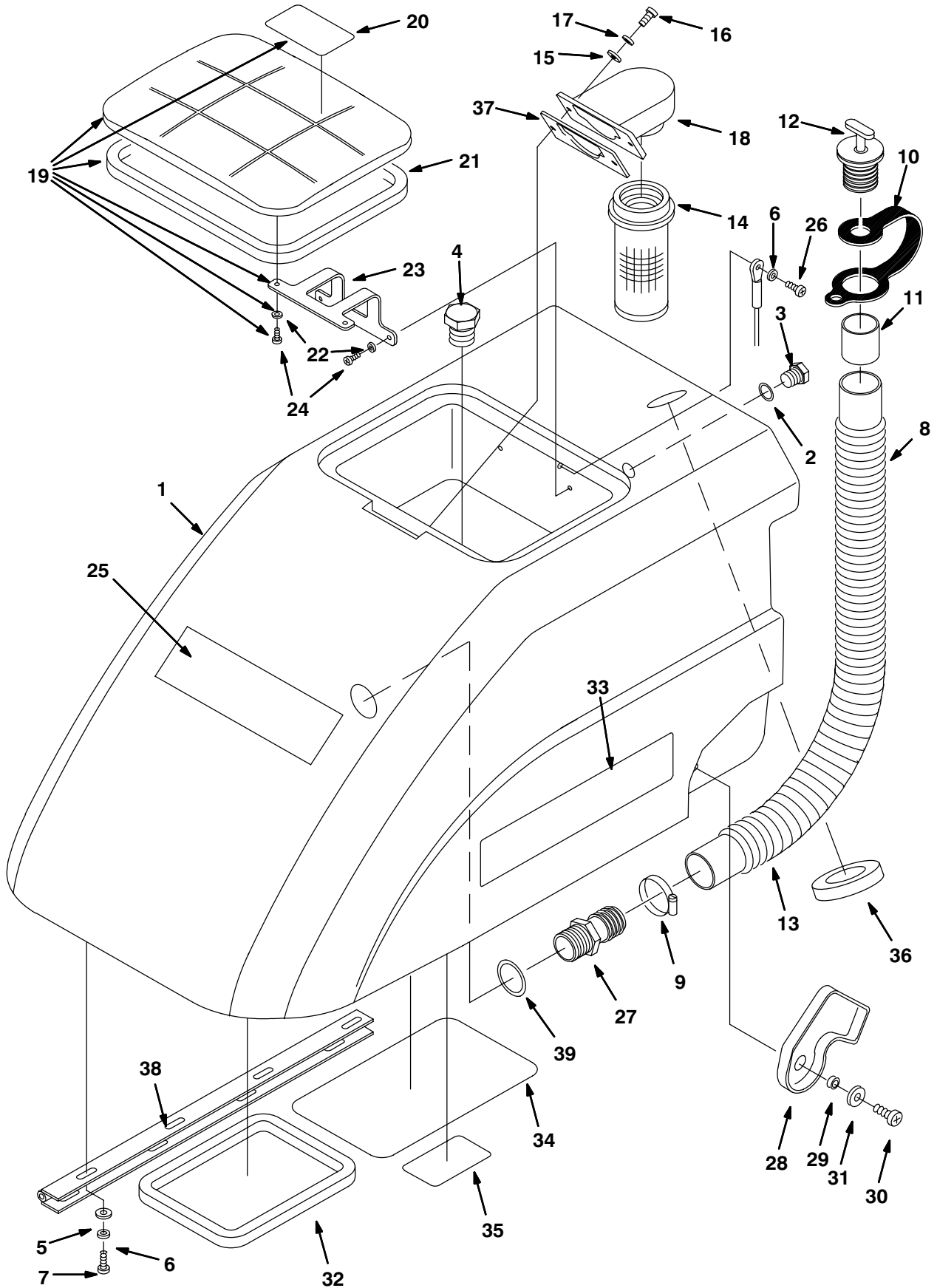


Fig. 6 – Recovery Tank Group

Ref.	Part No.	Description	Qty.
1	602699	Tank, Recovery (Teal)	1
2	630134	Seal, O-Ring, 16Mm OD X 3.5Mm Tk	1
3	630139	Ftg-Plg, Hex .38-19Rsp	1
4	630147	Plug, .75Npt	1
5	140012	Washer, Flat 3/16" USS	8
6	578 244 000	Washer, Lock, Int, M06, .4ID 10MM	9
7	578 321 000	Screw, Pan Phil M 6 X 16Mm, ZP	8
▽ 8	603217	Drain Hose Asm	1
▲ 9	140308	Clamp, Hose 1-5/16 To 2-1/4	1
▲ 10	578441	Strap, Drain Hose	1
▲ 11	630394	Sleeve, Drain Hose 1.5" ID	1
▲ 12	621324	Plug, Expansion, 1.5 Dia Nylon	1
▲ 13	630068	Hose, Drain 38.1Mm Id, 20" Scrbr	1
14	630052	Cage, Float W/Ball, 12X12 Scrn	1
15	059 650 283	Washer, Flat, 6.4MM ,18.0,1.6, SS	2
16	578 187 000	Screw, Pan Phil M6 X 12Mm, SS	2
17	578 244 000	Washer, Lock, Int, 6.4ID ,10MM, SS	2
18	630053	Mount, Float Cage, 20" Scrbr	1
▽ 19	630601	Kit, Rec. Tank Cover	1
▲ 20	630420	Label, Flammable Matl Textless	1
▲ 21	630367	Gasket, Rec Tank Cover	1
▲ 22	630390	Washer, Flat, .15", .56", .04", Zp	4
▲ 23	630056	Strap, Cover, Sol Tank 5300	1
▲ 24	140872	Screw, #6 Hilo, .38", Pn Phil Zp	4
25	630229	Decal, Tennant Logo	1
26	200 031 436	Screw, Hex Hd, M06 X 16Mm	1
27	621 277 000	Fitting, Str, 1.5 Hose X 1.25 NPT	1
28	630074	Leg, Sppt, Tank (Teal)	1
29	630075	Spacer, 8.5Mm Id 12.7Od 5.3Lg	1
30	575 029 000	Screw, Pan Phil M 8 X 20MM, Ss	1
31	14880.5	Washer, Flat 5/16"	1
32	630368	Gasket, 650MM	1
33	608139	Decal, 5300	2
34	630231	Decal, Wiring W/Options	1
35	630420	Decal, Flammable Matl Textless	1
36	630010	Gasket, 70Mm Od, 43Mm Id, 12.7 Tk	1
37	630255	Gasket, Float Mount	1
38	630048	Hinge, .25Pin 17.9Lg 1.9 Open	1
39	602952	Spacer, Drain Hose Fitting	1

Fig. 7 – Main Frame Group

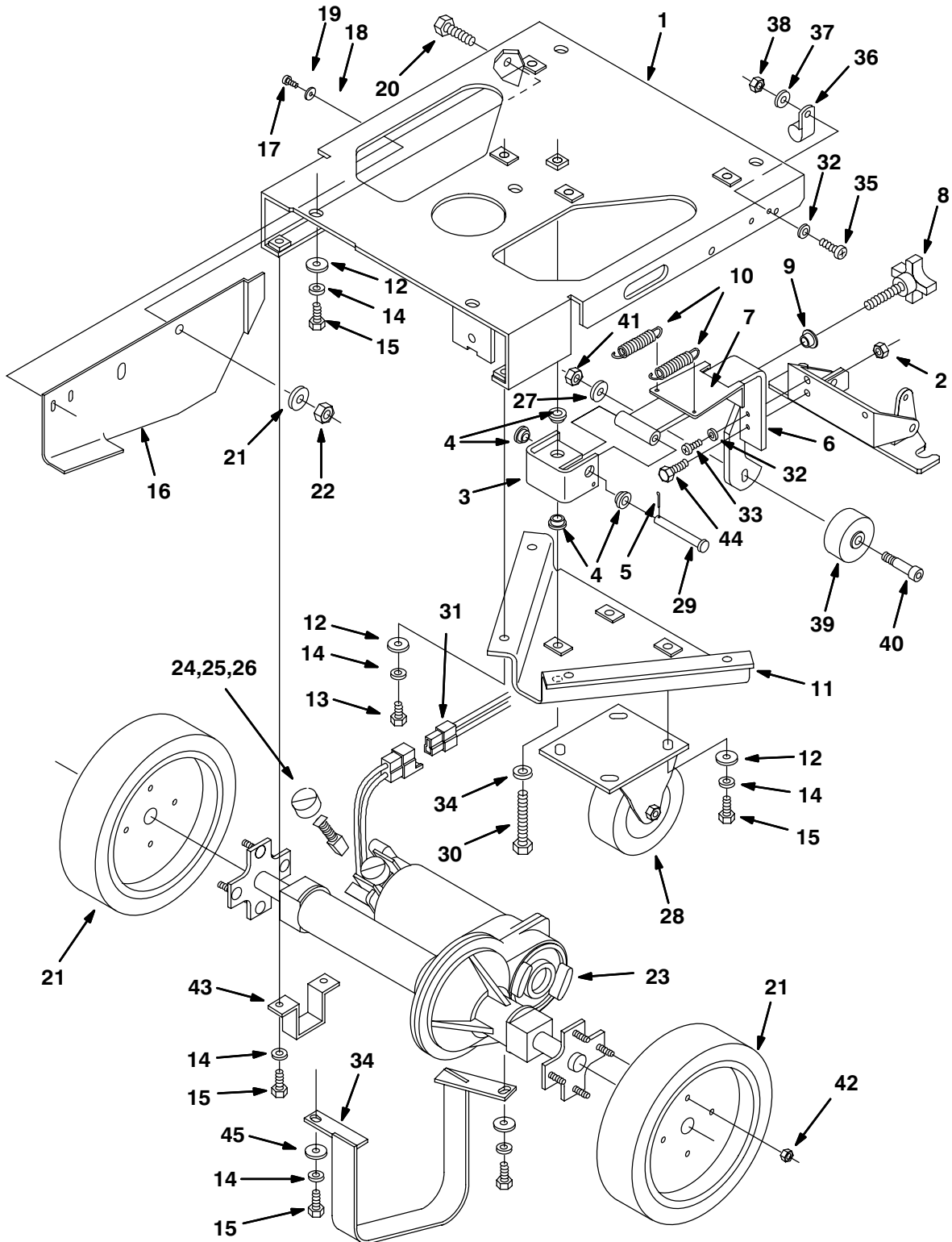


Fig. 7 – Main Frame Group

Ref.	Part No.	Description	Qty.
1	630131	Frame, 20" Traction	1
2	200 160 017	Nut, Hxlocnyln M8	1
3	630045	Bracket, Lift, Squeegee	1
4	630095	Bearing, Flng .38" .50" .25"Lg	4
5	578421	Pin, Cotter, .12" X 1.00" Lg	1
6	630044	Arm, Pivot, Squeegee	1
7	630043	Bracket, Spring Slide	1
8	630046	Knob, .38–24 X 2" Lg Stud, Ss	1
9	630292	Bearing, Knob, Sqge Arm	1
10	630042	Spring, Ext 2.3Mm Wire 63.5 Lg	2
11	630003	Frame, Mtg, Caster	1
12	14880.5	Washer, Flat 5/16"	13
13	200 031 486	Screw, Hex M 8 X 1.25 X16 HxHdCp	8
14	200 370 019	Washer, Loc Int M8	19
15	200 031 488	Screw, Hex M8 X 20MM	11
16	630307	Bracket, Safety & Limit	1
17	590137	Screw, Truss Hd, Phil, #6–32X.38", Zp	2
18	578 329 000	Screw, Anchor, #6, Nylon	2
19	140032	Washer, Flat, #6	2
20	200 031 541	Screw, Hex Hd M10 X 25	1
21	640013	Wheel, 8"D 2"W, Neoprene	2
	600351	Kit, Tires Foam (Optional)	1
	604357	Kit, Tires Air (Optional)	1
22	200 160 018	Nut, Hxlocnyln M10 X 1.5	1
23	630126	Transaxle, 20", .50 Hp	1
24	630504	Brush, Carbon Motor Transaxle	2
25	630503	Cap, Transaxle Brush	2
26	600606	Asm, End Bell, Transaxle Motor FR	1
27	200 651 019	Washer, Flat 8.4MM, 17.0, 1.6 SS	1
28	630002	Caster, 4"D 1.38W, 400Lb Cap	1
29	630047	Pin, Clevis .38 X 2.75	1
30	630345	Screw, Shoulder Bolt, .375 X 2.00	1
31	630132	Harness, Wire Main	1
32	578 244 000	Washer, Loc Int M 6, .4ID 10MM	2
33	578 187 000	Screw, Pan Hd, Phil, M6 X 12Mm, Zp	1
34	601163	Guard, Motor Cap	1
35	200 031 436	Screw, M06 X 1.0 X 16 PanPhl	1
36	630428	Clamp, Cable, 1.0" Id	1
37	578 244 000	Washer, 6.4 X 10.0 Lock	1
38	579029	Nut, Hex Std, M6, Zp	1
39	630477	Wheel, 2" OD, Squeegee Support	1
40	630478	Screw, Shoulder Bolt, 3/8"Dia X 1.0	1
41	601 108 000	Nut, Hex Lock, .31"–18, Zp	1
42	630268	Nut, Hex Lock, .25"–28, Zp	8
43	630127	Bracket, Transaxle Mount	2
44	200 031 488	Screw, Hex Hd, M8 X 20MM	4
45	14880.5	Washer, Flat 5/16 Zinc	2

Fig. 8 – Rear Squeegee Group

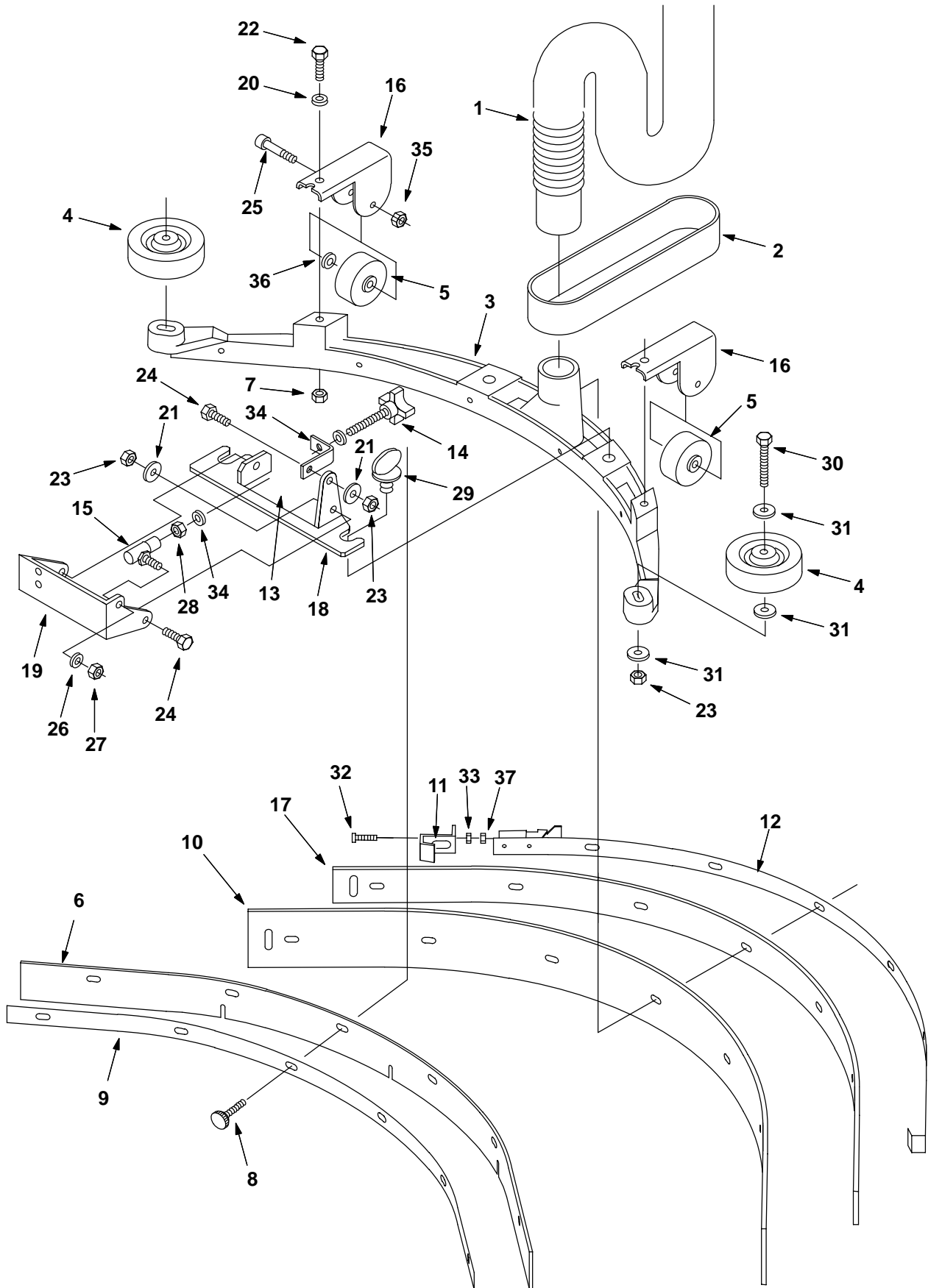


Fig. 8 – Rear Squeegee Group

Ref.	Part No.	Description	Qty.
	630806	Assy, Squeegee	1
1	630339	Hose Assy, Sqge	1
2	630333	Strap, Sqge Hose	1
3	630311	Squeegee, Curved	1
4	630450	Wheel, Rubber, Dia 76 X 22 WD	2
5	579184	Wheel, Head, Brush 51 X 22 WD	2
6	630291	Blade, Squeegee, Semi Front 3.2Tk	1
	600207	Blade, Squeegee, Urethane Front	1
7	200 640 017	Nut, Hex, M8, Ss	2
8	603012	Knob, Front Squeegee Blade Asm	6
9	630313	Squeegee, Band, Front Curved	1
10	630344	Blade, Squeegee, Curved Rear 4.8T	1
	603511	Blade, Squeegee, Urethane Rear	1
11	630481	Clip, Squeegee Band	1
12	630350	Squeegee, Band Assy, Curved	1
13	630279	Bracket, Pivot, Tip Adjust	1
14	630281	Knob, Tip Adjust, Sqge	1
15	140119	Joint, Ball, Lift Rod	1
16	630314	Bracket, Sqge Backup Wheel	2
17	630340	Back Up Strip, Semi-Curve	1
18	630277	Bracket, Sqge Attachment	1
19	630278	Bracket, Tip Adjust	1
20	200 370 019	Washer Lck Int M8	2
21	200 303 019	Washer, Flat, 8.4Mm, 18.0, 1.6	5
22	200 031 494	Screw, Hex Hd, M8 X 30Mm, Zp	2
23	200 160 017	Nut Hxlocnyln M 8X1.25	5
24	200 031 488	Screw, Hex M8 X1.25 X 20	3
25	630480	Screw, Shld., 5/16", 1-1/4" Shld, Zp	2
26	140015	Washer, Lock, 5/16"	1
27	069 762 144	Nut, Hex, .31-24 UNF, Zp	1
28	630388	Nut, Hex Lock, 5/16-24, Nylon	1
29	630393	Screw, Thumb & Washer Asm	2
30	630424	Screw, Hx Head, M8 X 70Mm, Zp	2
31	630303	Washer, Flt 8.4 25.4 2.0, Zp	6
32	630389	Screw, Pan Hd, Phi M5 X .8 X 45mm	1
33	140283	Nut, M5 X .8 Nylock	1
34	630446	Washer, Nylon, .31"	2
35	140501	Nut, Hex Lock, .25-20 UNC	2
36	200 651 019	Washer, Flt, 8.4MM, 17.0, 1.6, Ss	2
37	140297	Nut, M5 X .8 Hex	1

Fig. 9 – Rear Squeegee Lift Group

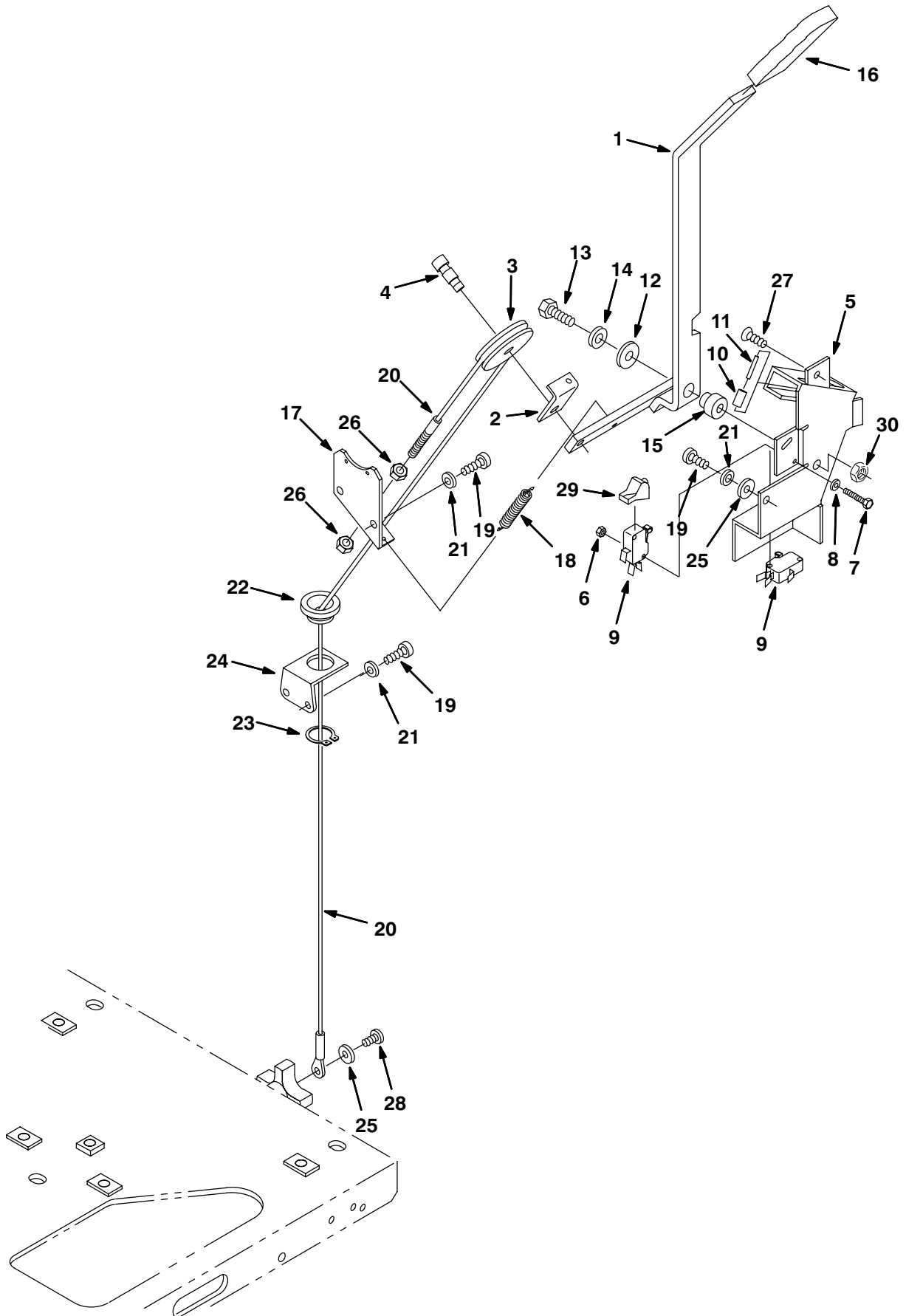


Fig. 9 – Rear Squeegee Lift Group

Ref.	Part No.	Description	Qty.
1	630151	Arm, Lift, Squeegee	1
2	630427	Bracket, Sqge Sheave	1
3	630426	Pulley, Cable 2" X 3/16"	1
4	630470	Screw, Shld .375Dx1.00L .31-18	1
5	630150	Bracket, Arm, Sqge Lift	1
6	579211	Nut, Hex Lock, M3, SS	4
7	579213	Screw, Hex Hd, M3 X 20MM	4
8	601 127 000	Washer, Flt 3.7Mm 8.0 .5 Zp	8
9	600437	Switch, Roller 15A	2
10	630207	Wheel, Brkt, Sqge Lift	1
11	630262	Pin, Roll .09D X .75Lg, Zinc	1
12	069 760 082	Washer Flt .25 Hard	1
13	200 031 496	Screw, Hex M8 X 1.25 X 35	1
14	200 370 019	Washer Lck Int M8	1
15	630160	Bushing, Arm, Pivot	1
16	630209	Grip, Sqge Lift	1
17	630155	Bracket, Cable, Sqge 11GA	1
18	630158	Spring, Ext .36 3.00 .45	1
19	578 321 000	Screw, Pan Hd, Phil, M6 X 16,ZP	5
20	630156	Cable, Lift, Sqge, 28" Lg	1
21	578 244 000	Washer-Loc Int M 6, .4ID 10MM	5
22	621235	Bushing, Cable	1
23	621 236 000	Ring, Retaining .810 Dia	1
24	630157	Bracket, Guide, Cable	1
25	140012	Washer, Flat 3/16"	2
26	140510	Nut, Hex, Jam, .25-20UNC	2
27	069 762 098	Screw, Flat Hd, Phil M6 X 16MM,	1
28	573268	Screw, Pan Hd, Phil, .25 20 X .75", Ss	1
29	600372	Boot, Limit Switch	1
30	200 640 017	Nut, M8 Hex	1

Fig. 10 – Scrub Brush Down Pressure Group

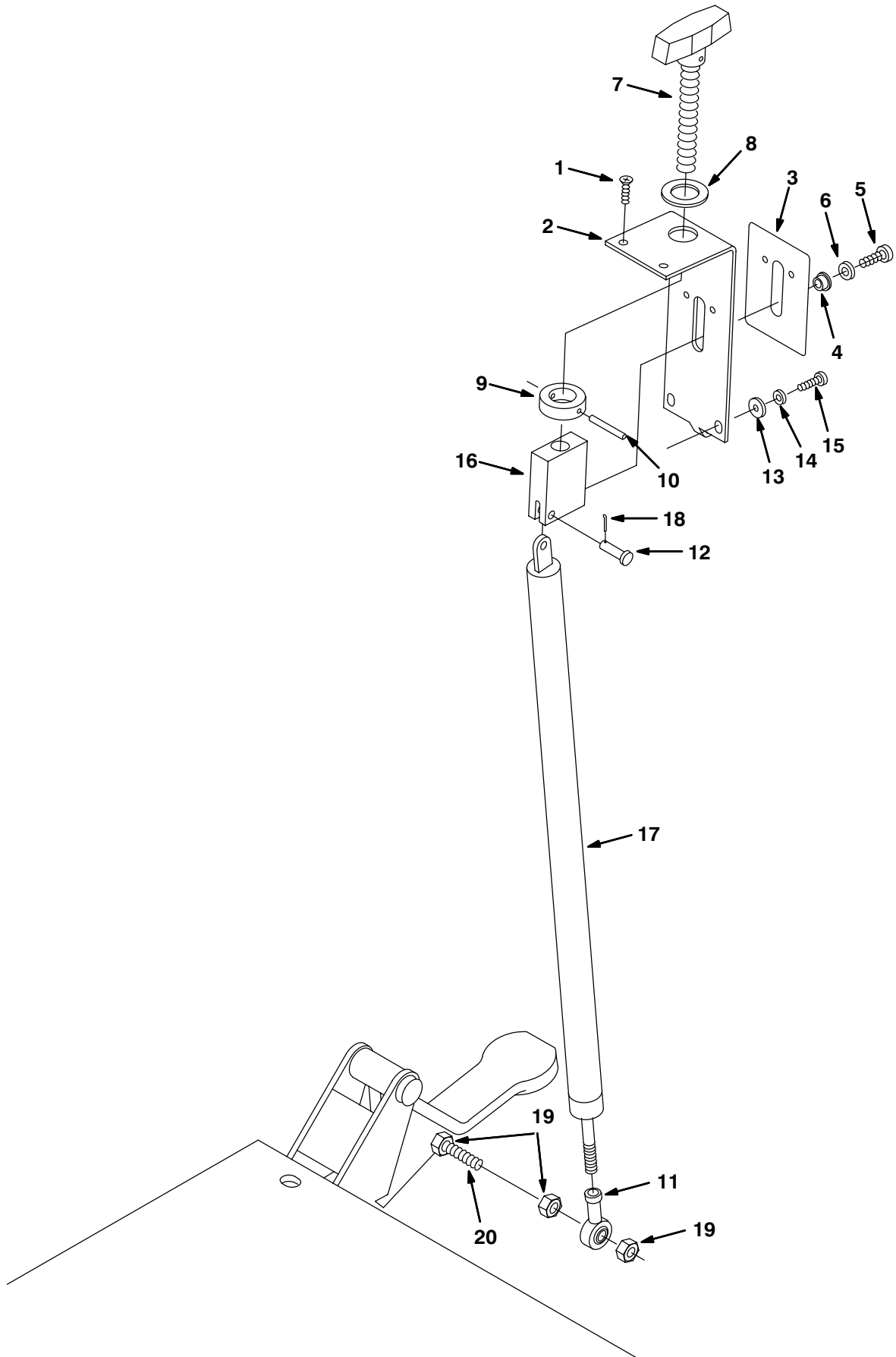


Fig. 10 – Scrub Brush Down Pressure Group

Ref.	Part No.	Description	Qty.
1	069 764 140	Screw, Flat Hd, Phil M5 X 16Mm	2
2	630197	Bracket, Down Pressure	1
3	630234	Decal, Down Pressure	1
4	630482	Bearing, Flange	1
5	578 187 000	Screw, Pan Hd, Phil M06 X 12Mm, SS	1
6	578 244 000	Washer, Lck Int M6 .4ID 10MM	1
7	630195	Knob, Tee, .50–13, 2–1/8”Lg	1
8	630358	Washer, Nylon .75” 1.0” .03Tk	1
9	630355	Collar, 19.0Id 31.8Od 9.5W	1
10	630382	Pin, Spring, .16” X 1.25”, Zp	1
11	630353	Rod–End, Shock	1
12	630357	Pin, Clevis, 5.9Mm Dia X 20.2Mm Lg	1
13	200 315 016	Washer, Flat, 5.3Mm, 15.0, 1.6	2
14	140018	Washer Lck Int #10	2
15	575 569 000	Scr, Pan Hd, Phil, M5 X 16	2
16	630354	Coupler, Down–Pressure Shock	1
17	603664	Shock, Head Down Pressure	1
18	578420	Pin, Cotter, .09”Dia X .75”Lg	1
19	200 160 017	Nut, M8 Hxlck	3
20	200 032 503	Screw, M8 X 1.25 X 60	1

Fig. 11 – Console Group

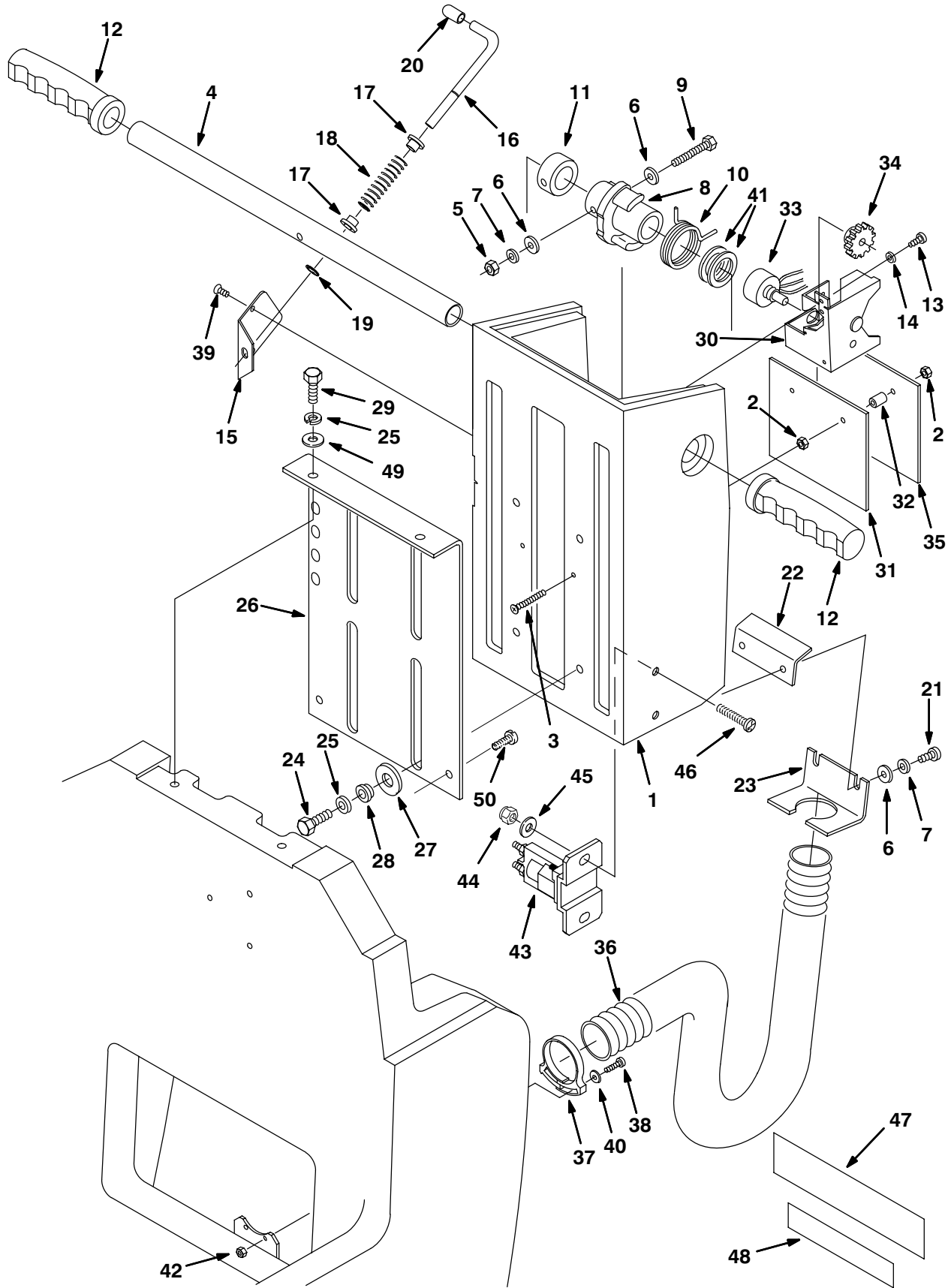


Fig. 11 – Console Group

Ref.	Part No.	Description	Qty.
1	602700	Console (Teal)	1
2	200 160 014	Nut, Hex Lock, M4	4
3	630304	Screw, Flthd, Phil, M4 35Mm, Zp	2
4	630093	Handlebar, .88Od 15.5Lg, Zp	1
5	579029	Nut-Hx Std M 6X1.0	1
6	579210	Washer, Flat, 6.4MM, 18.0, 1.5	4
7	578 244 000	Washer, Loc Int M 6 .4ID 10MM	3
8	630109	Gear & Hub Assy, 22.4Id,20"Scr	1
9	630431	Screw, Hx Head, M 6 X 40Mm	1
10	630088	Spring, Centering .072"Mw, Zp	1
11	630217	Collar, .88"Id 1.38Od .63 Lg	1
12	200823	Grip, Handle Tube	2
13	200 070 340	Screw, Pan Hd, Phil M4 X 8MM	2
14	140023	Washer, Lock, Int #8	2
15	630087	Plate, Retainer-Latch	1
16	630081	Lever, Latch, Console Adjust	1
17	630083	Bushing, Latch	2
18	630082	Spring, Comp .42" 1.75 .035	1
19	630084	Ring, Retaining, Ext	1
20	630094	Grip, Lever-Console Adjust	1
21	578 321 000	Screw, Pan Hd, Phil M6 X 16MM, Zp	2
22	630086	Plate, Strainrelief	1
23	630108	Bracket, Mtg, Conduit	1
24	200 031 486	Screw, Hex Hd M08 X 16MM	4
25	200 370 019	Washer Loc Int M 8	6
26	582078	Plate, Console Slide, 20" Scrub	1
27	630447	Washer, Nylon, 12.7, 25.4, 0.8	4
28	630095	Bearing, Flng .38" .50" .25"Lg	4
29	200 031 488	Screw, Hex Hd M08 20Mm, Zp	2
30	630079	Bracket, Mtg, Limit Switch	1
31	630128	Plate, PMC, Heat Sink	1
32	630261	Spacer, .19"ID, .31"OD, .50", Alum	2
33	603372	Asm, Pot. w/Decal	1
34	630099	Gear, 28T, 24P	1
35	630104	Speed Control, PMC Board, 55 Amp	1
36	630113	Conduit, Convolutd	1
37	140322	Clamp, Vac Hose	1
38	578 403 000	Screw, Pan Hd, Phil, M3 X 20Mm	2
39	630114	Screw, Flat Hd, Phil M4 X 8Mm, Zp	2
40	200 301 012	Washer, Flat, 3.2Mm, 7.0, .5	2
41	069 760 582	Washer, Nylon, 23 ID, 34 OD	2
42	579211	Nut, Hex Lock, M03, SS	2
43	603008	Contacto, 24VDC, 100A	1
44	140552	Nut, 10-24 Nylock	2
45	069 762 056	Washer, Plain Ansi-A #10	2
46	15858.12	Screw, Mch 10-24 x 3/4 Flt Phil	2
47	601 085 000	Decal, PMC Connection	1
48	611440	Decal, Fuse Spec	1
49	140027	Washer, 5/16 Flat	2
50	630306	Screw, Flat Hd Phil, M8 X 16Mm, Zp	2

Fig. 12 – Instrument Panel Group

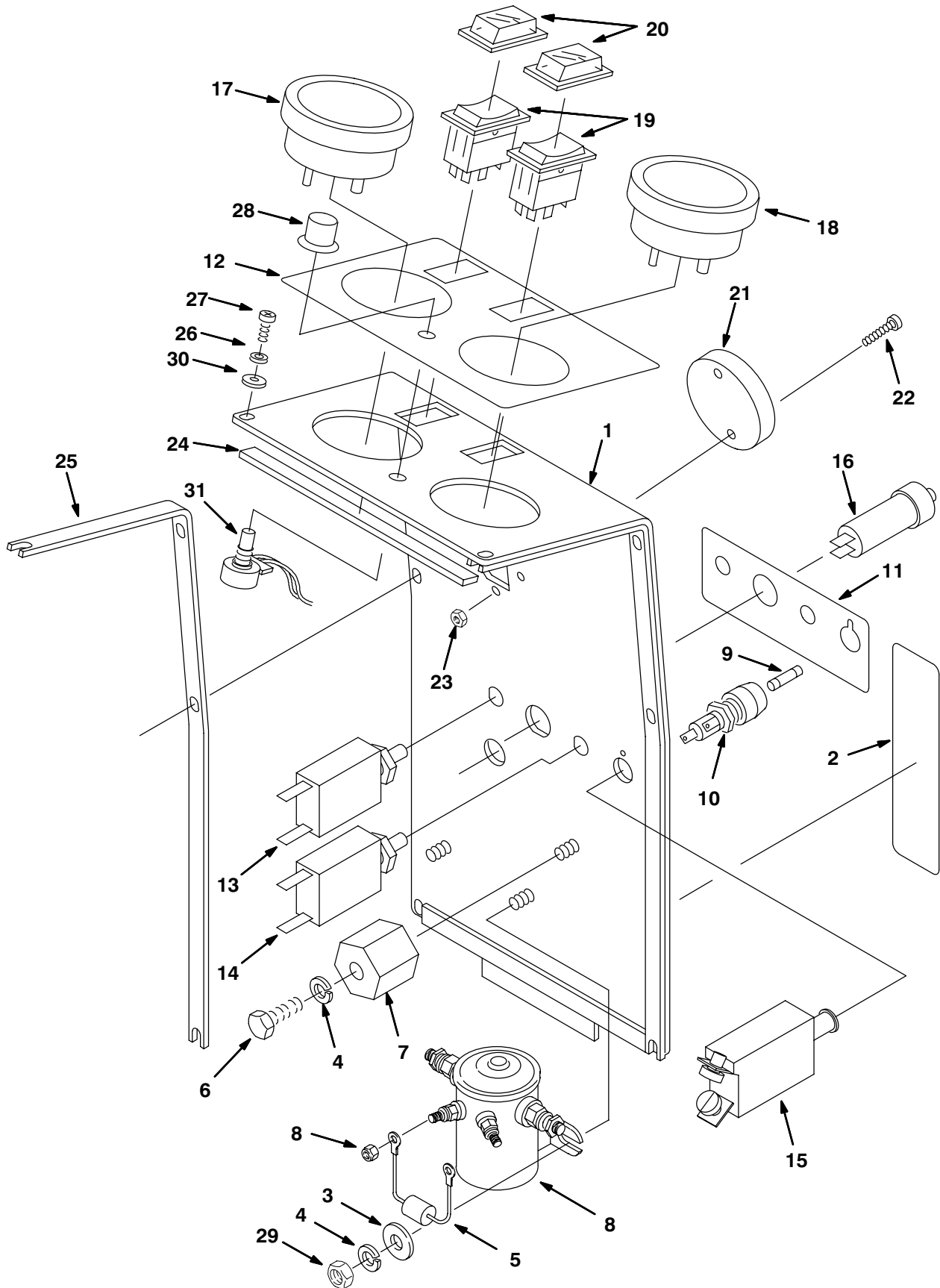
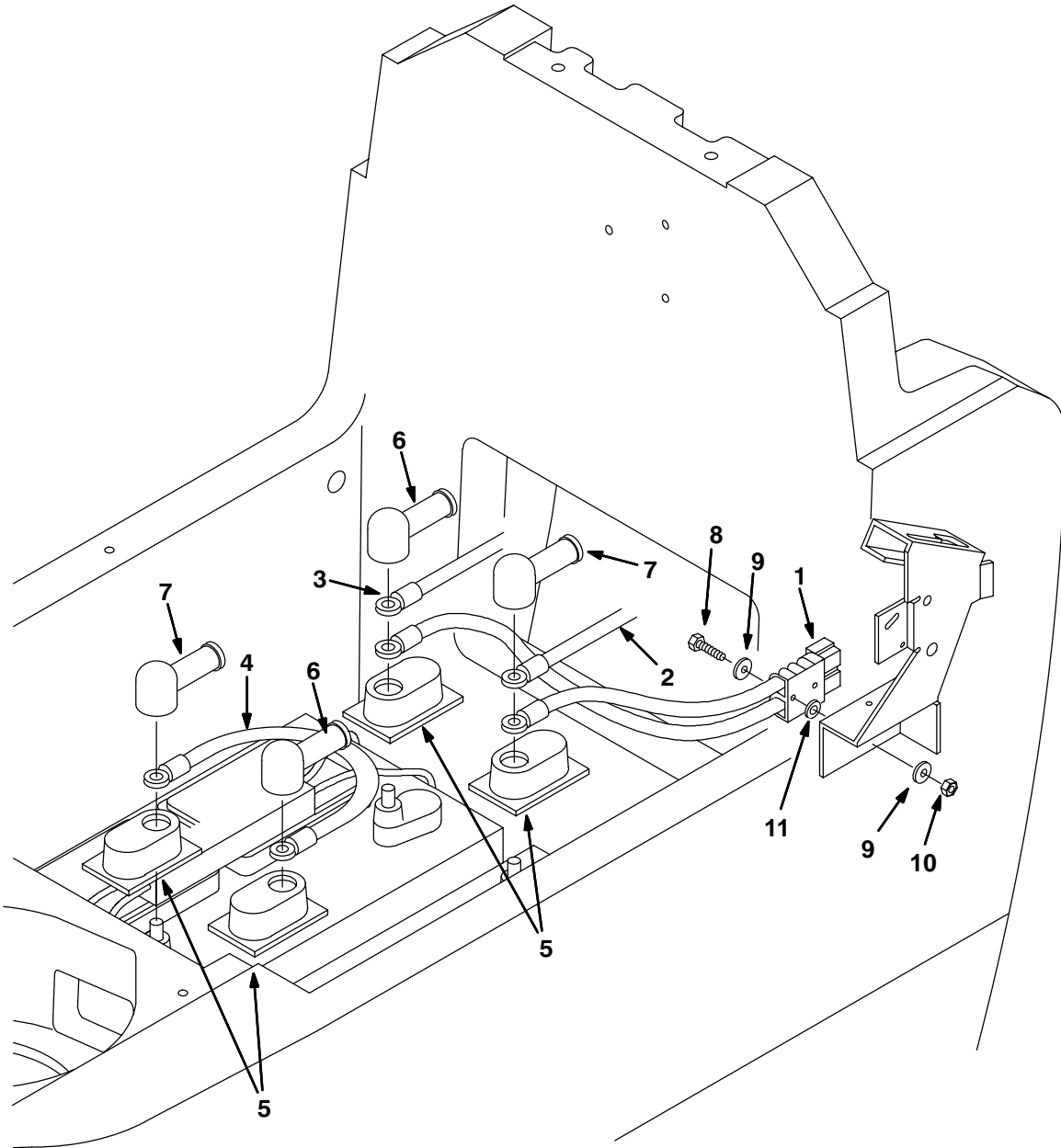


Fig. 12 – Instrument Panel Group

Ref.	Part No.	Description	Qty.
▽ 1	630605	Kit, Switch Plate w/Decal	1
▲ 2	630422	Decal, Batt Chrge, Textless	1
3	140012	Washer, Flat 3/16"	2
4	578 244 000	Washer, Loc Int M6 .4ID 10MM	3
5	130423	Diode, 400V/6.0A Silicone	1
6	069 762 126	Screw, Hex .25–20 X 0.62	1
7	578427	Standoff, Terminal	1
8	605905	Solenoid, 24V	1
9	601091	Fuse, 2Amp 3AG Fast Blow	1
10	578418	Holder, Fuse	1
11	630241	Decal, Circuit Breakers	1
12	630243	Decal, Gauge/Switch Panel	1
13	20361	Circuit Breaker, 15A	1
14	20796	Circuit Breaker, 17A	1
15	130756	Circuit Breaker, 35A Dc	1
16	630102	Circuit Breaker, 7A	1
17	630090	Gauge, Br Pressure, 10–35 Amp	1
18	630091	Meter, Battery, 24Vdc	1
19	630419	Switch, Rckr, Spst, 24Vdc, Green	2
20	578720	Splash Guard, Rocker Switch	2
21	607002	Plate, Cover	1
22	140901	Screw, 8–32 x 3/8	2
23	28990	Nut, 8–32 Nylock	2
24	630453	Gasket, Console 143MM	2
25	630119	Gasket, Console 3.1 X 8.0 X 420	2
26	140023	Washer, #8 INT	8
27	200 070 340	Screw, Pan Hd, M4 X 8, Zp	8
28	630265	Knob, Speed Limit	1
29	059 650 595	Nut Hx Std .25–20 UNC	2
30	200 301 014	Washer, Flat, 4.3,10.0, 1.0, Zp	8
31	630133	Resistor, 0–20K, Speed Control	1

Fig. 13 – Battery Cable Group



09150/09126

Fig. 13 – Battery Cable Group

Ref.	Part No.	Description	Qty.
1	630118	Cable, Battery, W/Charge Plug Red	1
2	630110	Cable, Battery, 4Ga 813Mm, Red	1
3	630111	Cable, Battery, 4Ga 864Mm, Blk	1
4	603061	Cable, Battery 6Ga Red, 305Mm	1
5	611223	Cover, Terminal	4
6	611221	Boot, Cable, Batt Terminal, Black	2
7	611222	Boot, Cable, Batt Terminal, Red	2
8	200 051 274	Screw, Fill Hd Slot M3 X 30mm, Zp	2
9	601 127 000	Washer, Flat, 3.7 8.0, .5, Zp	4
10	579211	Nut, Hex, Lock, M3, Zp	2
11	140019	Washer, Ext Lck Tooth #6, Zinc	2

Fig. 14 – Electrical Schematic

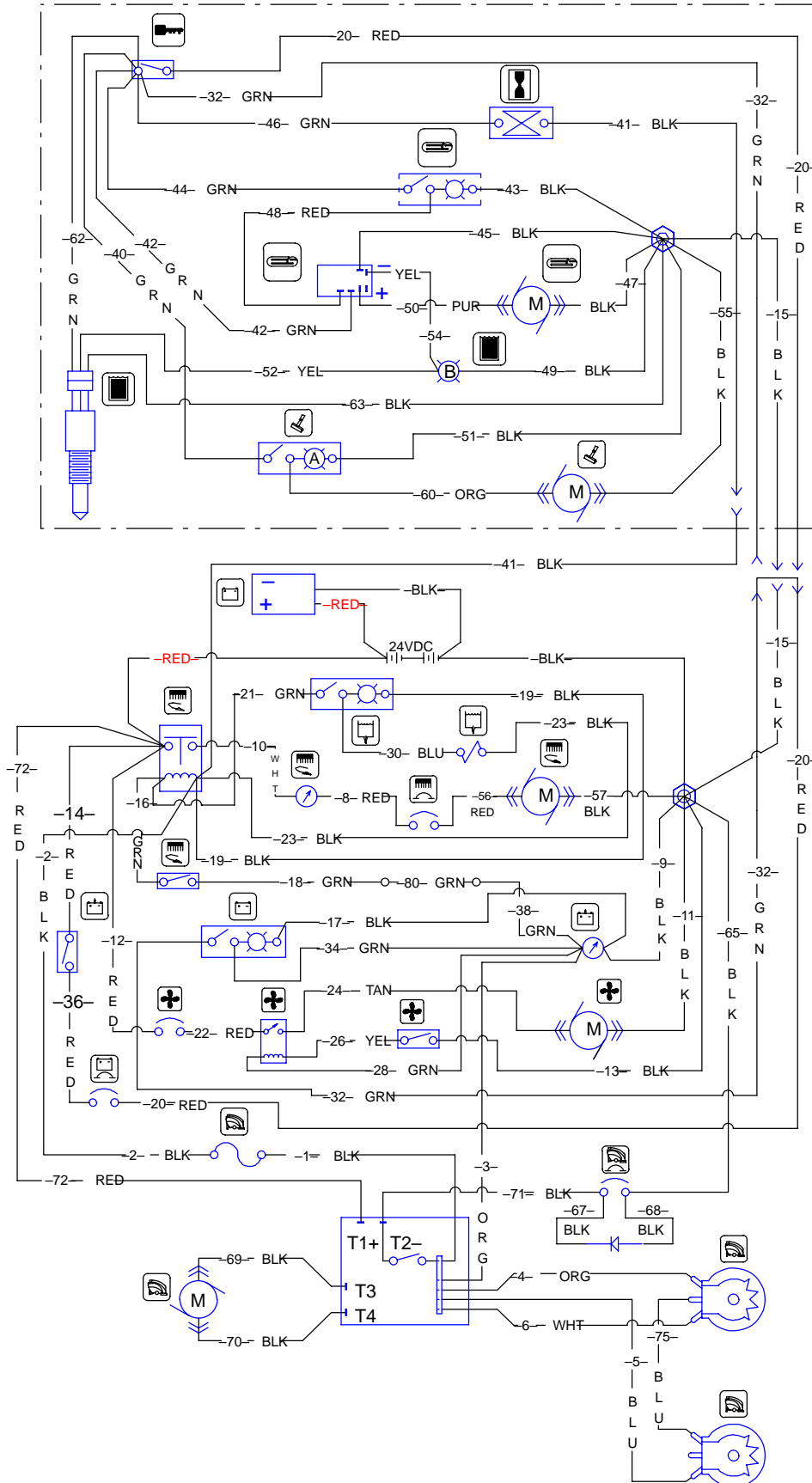


Fig. 1 – Power Wand Assembly

Ref.	Part No.	Description	Qty.
▽	579908	Wand Assy, E150, Sngl Bn No Hose	1
▲ 1	578 091 000	Plug, Quick Connect, 1/4" MPT	1
▲ 2	578 160 000	Clamp, Hose, 11–13Mm Od, Crimp	4
▲ 3	579168	Hose, Relief, .25, .44", .110 M	1
▲ 4	579107	Valve, Water Cont. Hanger And	1
▲ 5	150525	Hose Barb, 1/8"M X 1/4"H	2
▲ 6	579146	Hose, Wand Water Feed, 150E	1
▲ 7	579112	Adaptor, Spray Nozzle	1
▲ 8	579198	Rivet, Pop 04 Dia X 10	2
▲ 9	579137	Spray Nozzle, .125 Npt, 100Deg	1
▲ 10	579113	Swivel, Wand Attachment	1
▲ 11	579132	Ring, Attachment	1
▲ 12	579135	Screw, Self TD United	10
▲ 13	579103	Retainer, Wand Blade, 150E	2
▲ 14	579239	Squeegee, Blade, Front Wand	1
▲ 15	579230	Squeegee, Blade, Rear Wand	1
▲ 16	579147	Screw, Self – Tap, #6, 1.5"	2
▲ 17	579101	Head, Wand, 150E	1
▲ 18	579102	Brush, Wand (Two Row)	1
▲ 19	579187	Clip, Spring 32Mm Dia.	1
▲ 20	150208	Plug, Sckt Hd 1/8"	1
▲ 21	579109	Wand, Single Bend 31.8	1
▲ 22	150510	Fitting, 1/4F X 1/4H Barb	1

Fig. 2 – Hard Floor Wand Assembly

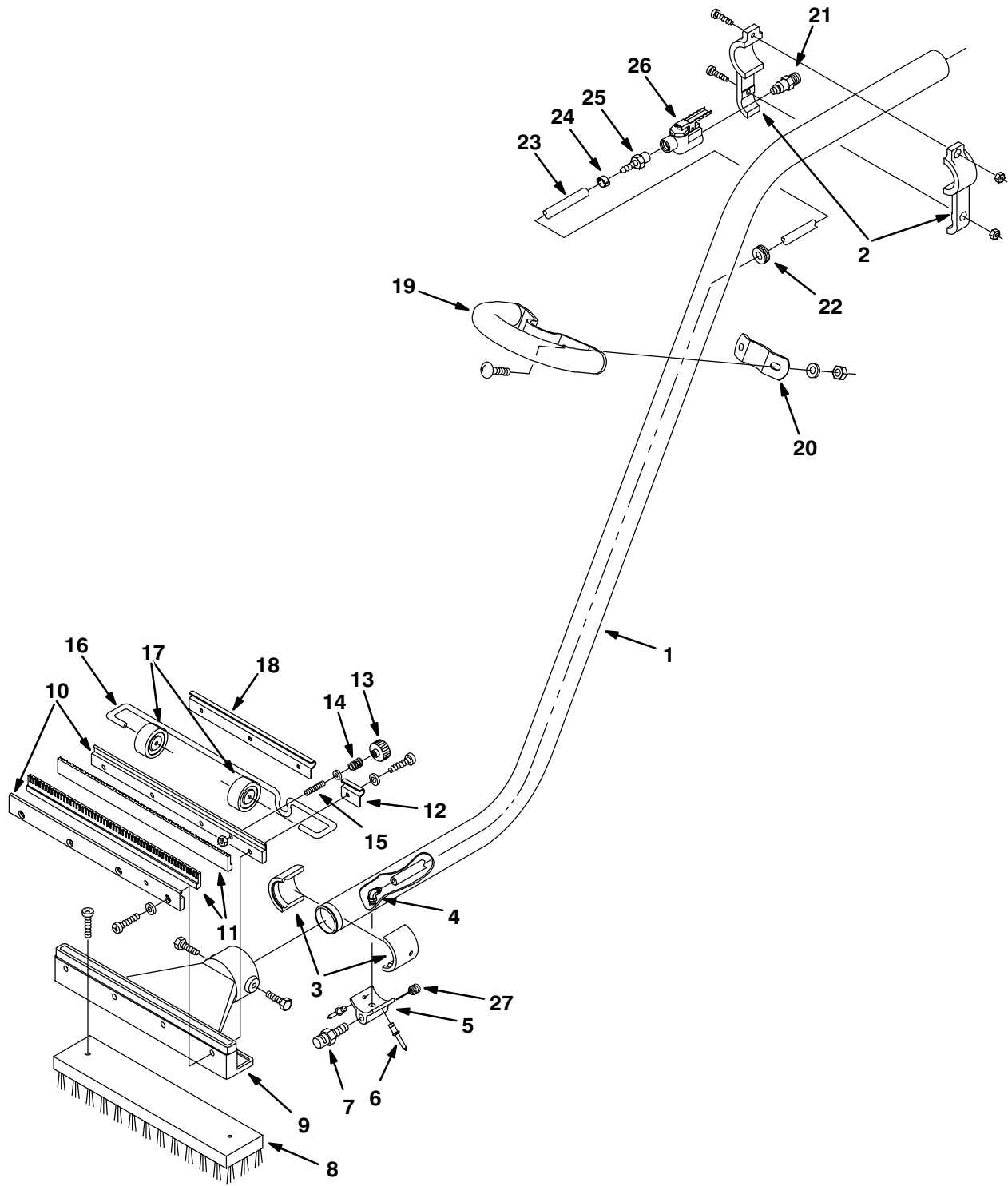


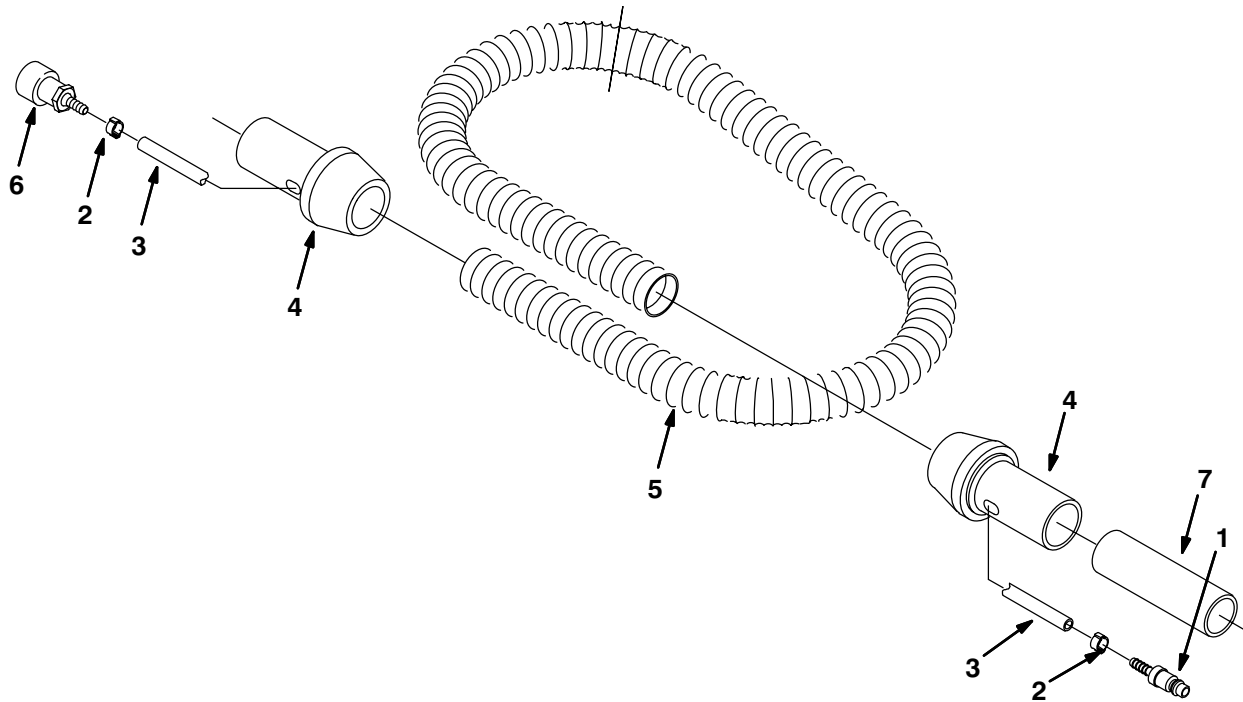
Fig. 2 – Hard Floor Wand Assembly

Ref.	Part No.	Description	Qty.
▽	578 905 000	Wand Assembly Double Bend	1
▲ 1	578 060 000	Wand, Double Bend, Dia 38.1MM	1
▲ 2	578 077 000	Bracket, Valve Mounting, Wand	1
▲ 3	578 061 000	Adapter, Head/Wand	2
▲ 4	578 214 000	Fitting, Elbow, 0.25"Hose, 0.12"NPT	1
▲ 5	579112	Adapter, Spray Nozzle	1
▲ 6	579198	Rivet, Pop, .156, .312, .384	2
▲ 7	578 066 000	Spray Nozzle, .125" NPT, 75 Deg.	1
▲ 8	578 073 000	Brush, Deck, Polypro Block	1
▲ 9	578 063 000	Head, Wand	1
▲ 10	578 078 000	Retainer, Squeegee Wand	2
▲ 11	578 074 000	Blade, Squeegee Wand	2
▲ 12	578 124 000	Bracket, Axle, 1-Hole	1
▲ 13	578439	Nut, Thumb, MO6 X Dia 30MM	1
▲ 14	578 228 000	Spring, Compression, .63", .42", .04	1
▲ 15	578 143 000	M6, 40mm Lg., Adjust. Stud	1
▲ 16	578 126 000	Axle, Wand	1
▲ 17	578 125 000	Wheel, Guide, Wand	2
▲ 18	578 123 000	Bracket, Axle, 3-Hole	1
▲ 19	578 155 000	Handle, Wand	1
▲ 20	578 154 000	Bracket, Handle, Wand	1
▲ 21	578 091 000	Plug, Male Quick-Conn., 1/4"NPT	1
▲ 22	578 164 000	Grommet, .38"ID. .62"OD, .06"OW	1
▲ 23	578 821 000	Hose, Solution, Wand	1
▲ 24	578 161 000	Clamp, Hose, 8-11MM OD, Crimp	1
▲ 25	578 094 000	1/4 Hosebarb, 1/4NPT Male Pipe	1
▲ 26	578 064 000	Valve, Water Control, Wand	1
▲ 27	150208	Plug, Sckt Hd 1/8"	1

Fig. 3 – Non-Power Wand Assembly

Ref.	Part No.	Description	Qty.
▽	630732	Wand Assembly	1
▲ 1	630269	Bumper, Mushroom 4.8Dia	2
▲ 2	579113	Swivel, Wand Attachment	1
▲ 3	579132	Ring, Attachment	1
▲ 4	579135	Screw, Self TD United	10
▲ 5	579103	Retainer, Wand Blade	2
▲ 6	579239	Squeegee, Blade, Front Wand	1
▲ 7	579230	Squeegee, Blade, Rear Wand	1
▲ 8	579147	Screw, Self – Tap, #6, 1.5”	2
▲ 9	579101	Head, Wand	1
▲ 10	579102	Brush, Wand (Two Row)	1
▲ 11	579187	Clip, Spring 32Mm Dia.	1
▲ 12	579109	Wand, Single Bend 31.8	1

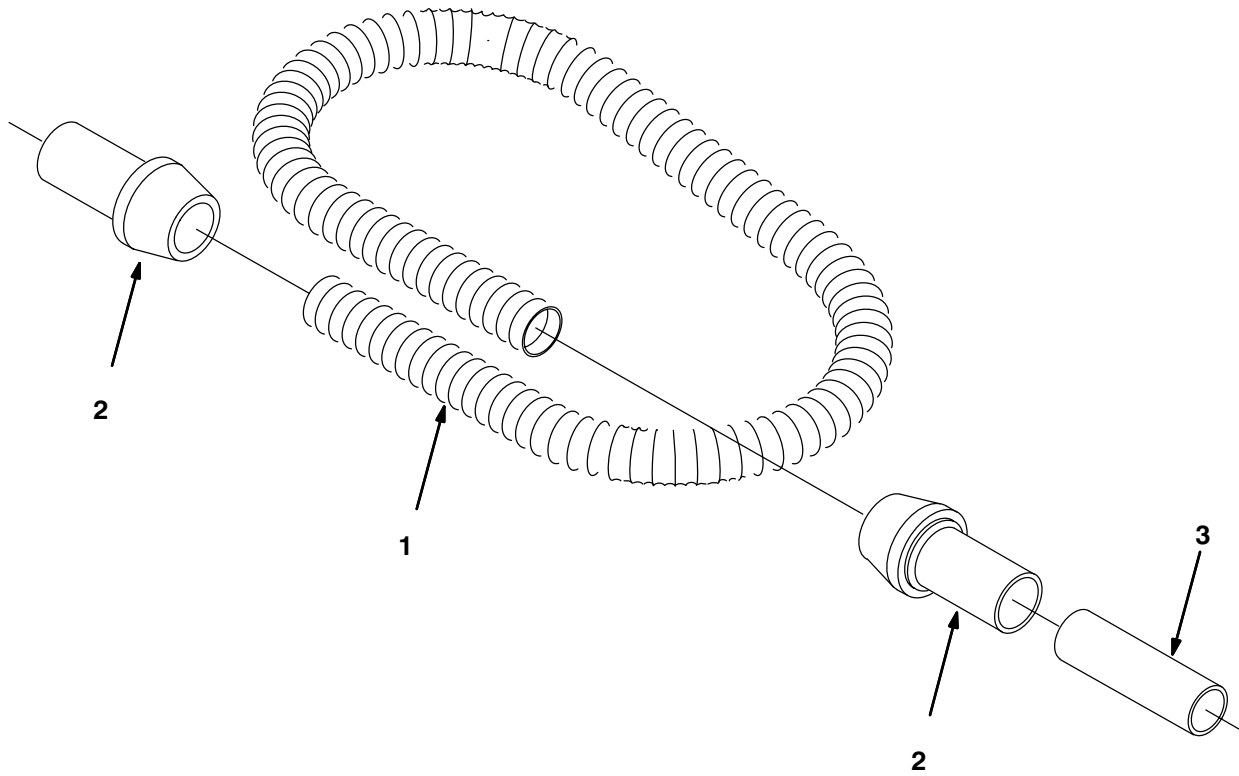
Fig. 4 – Power Wand Hose Assembly



09160/09161

Ref.	Part No.	Description	Qty.
▽	578 903 000	Power Wand Hose Assembly.	1
▲ 1	578 318 000	Fitting, Quick Conct Male	1
▲ 2	578 160 000	Clamp, Hose 11–13MM	2
▲ 3	578 820 000	Hose, .25ID, .44OD, 4.0M LG	1
▲ 4	578 072 000	Cuff, Swivel, 38.1Dia Blk	2
▲ 5	578 276 000	Hose, Vacuum, 38.1Dia X 3.05M Gray	1
▲ 6	578 071 000	Connector, Quick Conct Female	1
▲ 7	231031	Sleeve, 1–1/2" Dia X 5" LG	1

Fig. 5 – Non-Power Wand Hose Assembly



09168/09167

Ref.	Part No.	Description	Qty.
▽	630739	Non-Power Wand Hose Assembly	1
▲ 1	578 276 000	Hose, Vacuum 38.1Dia X 3.05M Gray	1
▲ 2	630449	Cuff, Hose Soft Dia 38.1M	2
▲ 3	231031	Sleeve, 1-1/2Dia X 5"LG	1

Fig. 6 – Power Wand Pump and Fittings Group

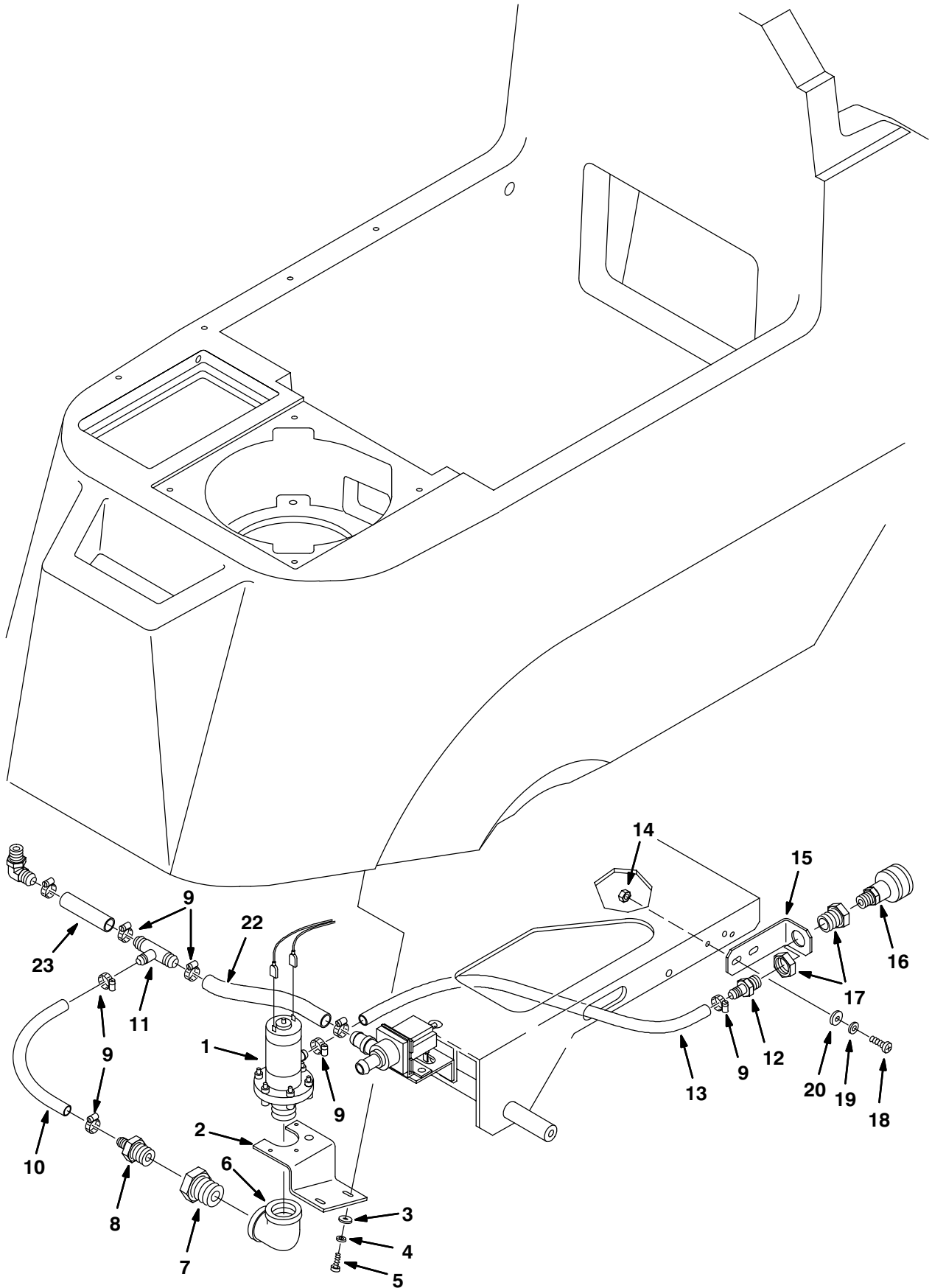


Fig. 6 – Power Wand Pump and Fittings Group

Ref.	Part No.	Description	Qty.
1	630136	Pump, 24Vdc	1
2	630335	Bracket, Mtg, Pump	1
3	200 315 016	Washer, 5.3 X 15.0 X 1.6 Flat	2
4	140018	Washer Loc Int #10	2
5	200 070 384	Screw, Pan Hd, Phil M5 X 14	2
6	630251	Fitting, E90, .75 Forged	1
7	630252	Fitting, Bushing, 3/4M X 3/8F	1
8	150538	Hose Barb, 3/8M X 3/8H Nylon	1
9	140310	Clamp, Hose 5/16–7/8	6
10	630417	Hose, 165MM Wand Pump	1
11	630372	Fitting, Tee 1/2 X 1/2 X 3/8 Hose	1
12	150516	Fitting, 1/4M X 3/8H Barb	1
13	630418	Hose, .700MM	1
14	579029	Nut, M6 X 1.0	2
15	630256	Bracket, Mtg Quick Connct	1
16	575 520 000	Fitting, Quick Disc Female 3/8 X 1/4 NPT	1
17	150300	Connector, Anchor 1/4 – Brass	1
18	578 321 000	Screw, Pan Hd, Phil, M6 X 16MM, ZP	2
19	578 244 000	Washer–Loc Int M6 .4ID 10MM	2
20	579210	Washer, Flat 6.14, 18.0, 1.5, Zp	2

Fig. 7 – Accessory Console Group

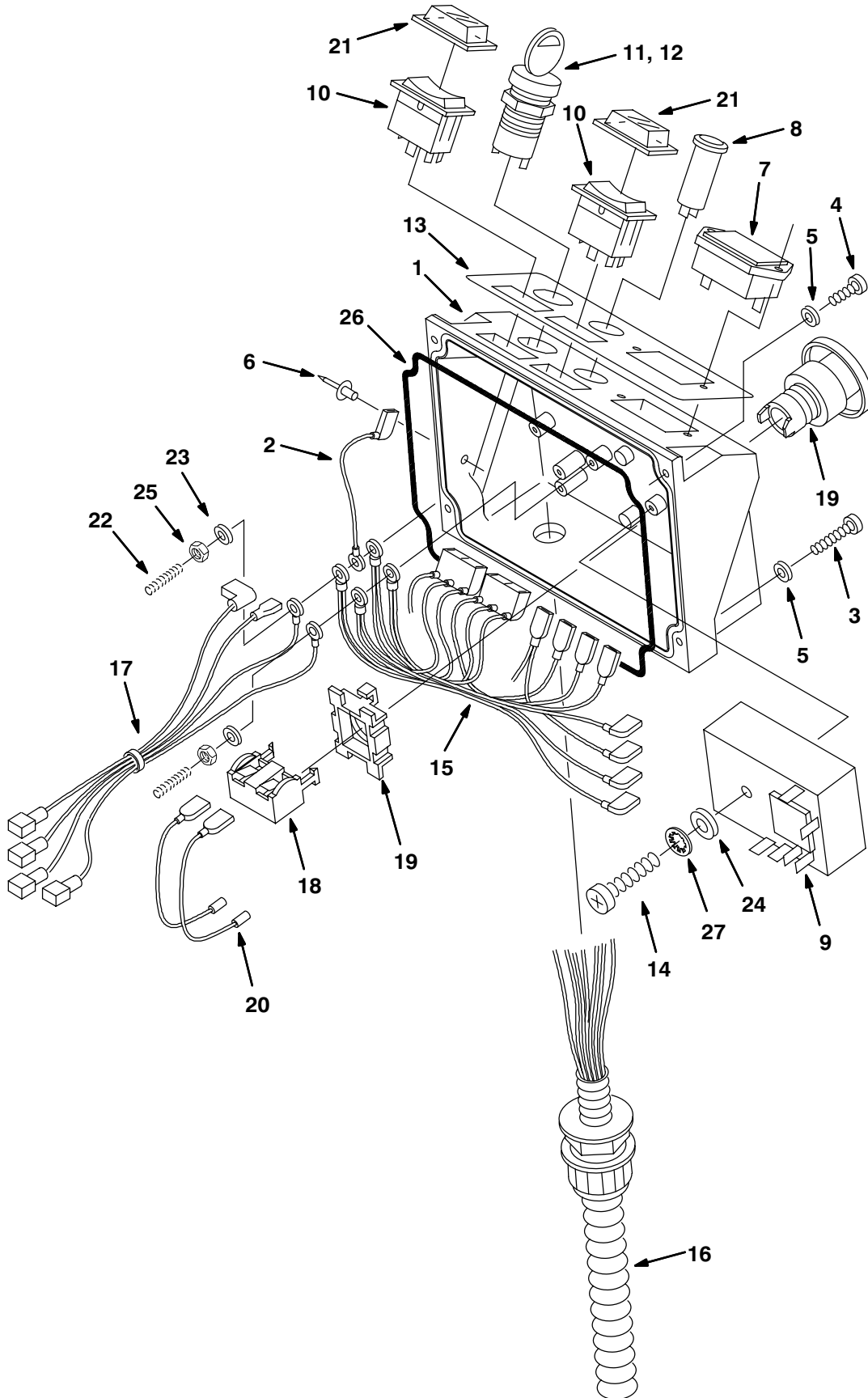


Fig. 7 – Accessory Console Group

Ref.	Part No.	Description	Qty.
1	630140	Console, Options, 20" Scrubber	1
2	630331	Wire Assy, Key Switch	1
3	200 070 354	Screw, Pan Hd, Phil, M4 X 30	2
4	140287	Screw, M4 X .7 X 16MM PanPhl	2
5	140023	Washer, Loc Int #8	4
6	578852	Rivet, Snap 5.0MM	1
7	630143	Meter, Hour, 18–60Vdc	1
8	630142	Light, Pilot, 24V, Blue	1
9	630145	Timer, 24Vdc, Range: 30Sec	1
10	630419	Switch, Rckr, Spst, 24Vdc, Green	2
11	612462	Switch, Keylock Illinois w/2 Keys	1
12	069 762 236	Key, Replacement Universal F315, Illinois Switches	2
13	630237	Decal, Es/Key/Hr/Light/Wp (Option)	1
	630236	Decal, Es/Key/Hr Mtr/Light (Option)	1
	630238	Decal, Wand Pump (Option)	1
	630239	Decal, Key/Hr/W. Pump (Option)	1
	630235	Decal, Key/Hour Meter (Option)	1
14	630334	Screw, S–Tap, Pn Phl, #6	1
15	606499	Harness, Wire ES Option	1
16	630342	Harness, Wire Es	1
17	606502	Harness, Accessory	1
18	630097	Switch, Contact Block	1
19	630100	Switch, Pushbutton	1
20	630266	Wire Assy, #14, 180Mm,Foc/Butt	1
21	578720	Splash Guard, Rocker Switch	2
22	601271	Stud, M4 X .7 X 1.00	2
23	140023	Washer, #8 INT	2
24	140026	Washer, #6 Flat	1
25	200 102 014	Nut, M4 X .7 Hex	2
26	579178	O–Ring, Sponge .125 (1.833ft)	1
27	140018	Washer, #10 INT	1

Fig. 8 – Extended Scrub Group

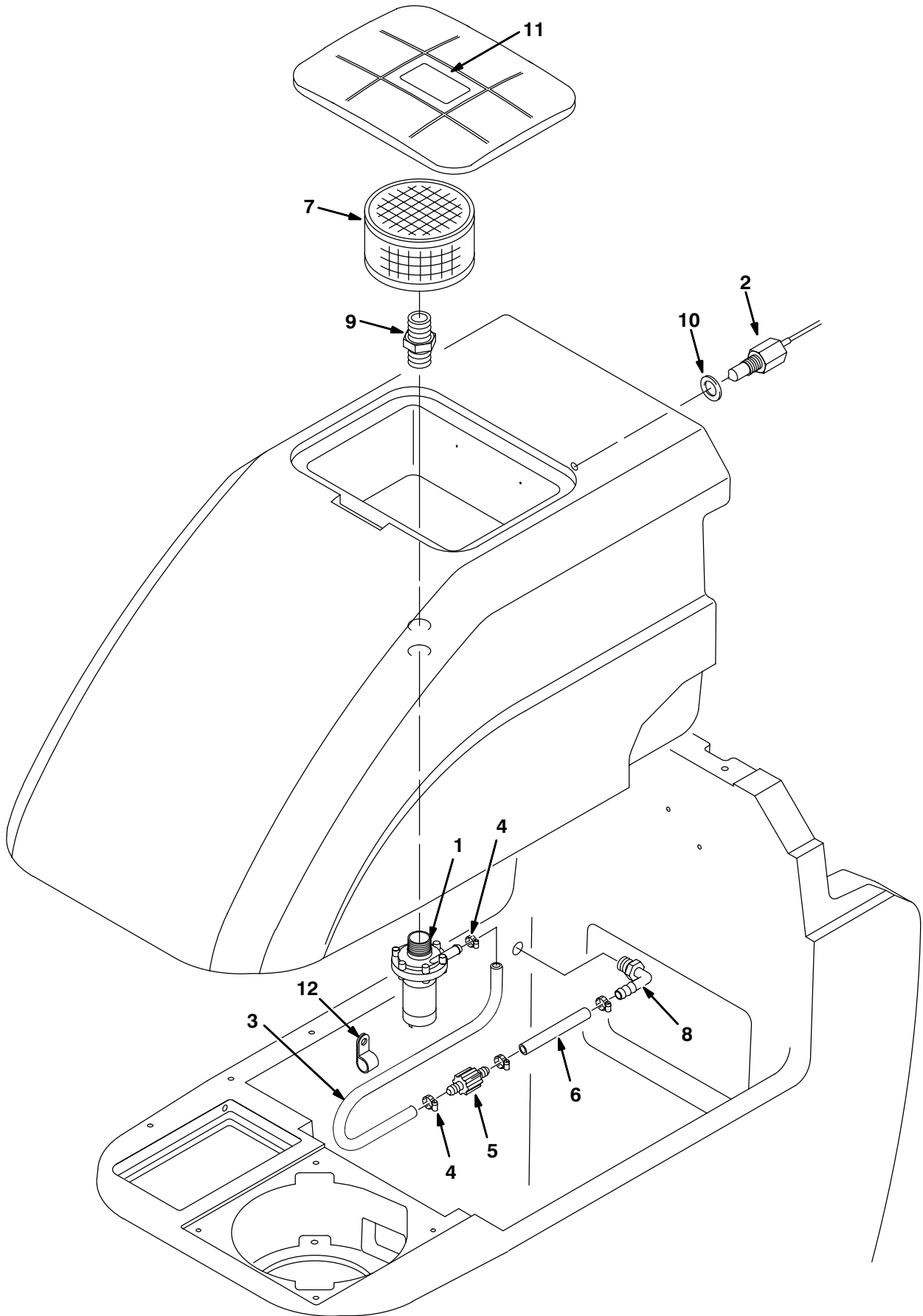
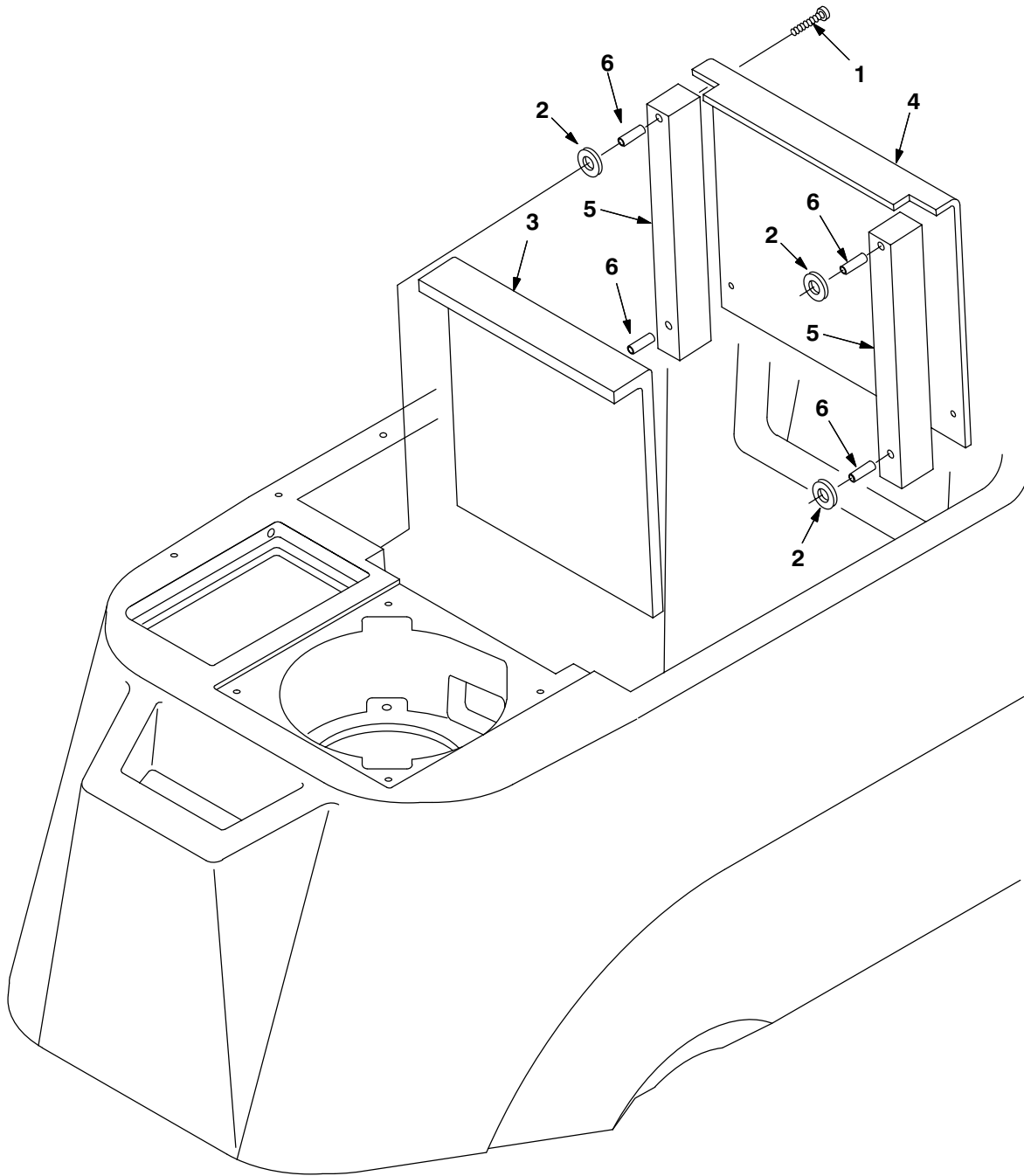


Fig. 8 – Extended Scrub Group

Ref.	Part No.	Description	Qty
1	630136	Pump, 24Vdc	1
2	630137	Sensor, Water Level	1
3	25160	Tubing, 5/8OD X 3/8ID X 21.75ft Lg	1
4	140310	Clamp, Hose 5/16 – 7/8	4
5	210044	Valve, Check, 3/8 X 3/8 Barb, 3PSI	1
6	25160	Tubing, 5/8OD X 3/8ID X 5.25ft Lg	1
7	630138	Filter, Screen, 100Mesh, 5300	1
8	150412	Fitting, 3/8M X 3/8H Elbow 90°	1
9	630385	Fitting, Nipple 3/4NPT, Nylon	1
10	630479	Washer, Nylon, 17.5ID, 25.4OD, 3.2	1
11	630440	Decal, Do Not Remove Filter	1
12	140314	Clamp, Insulated 3/4"ID	1

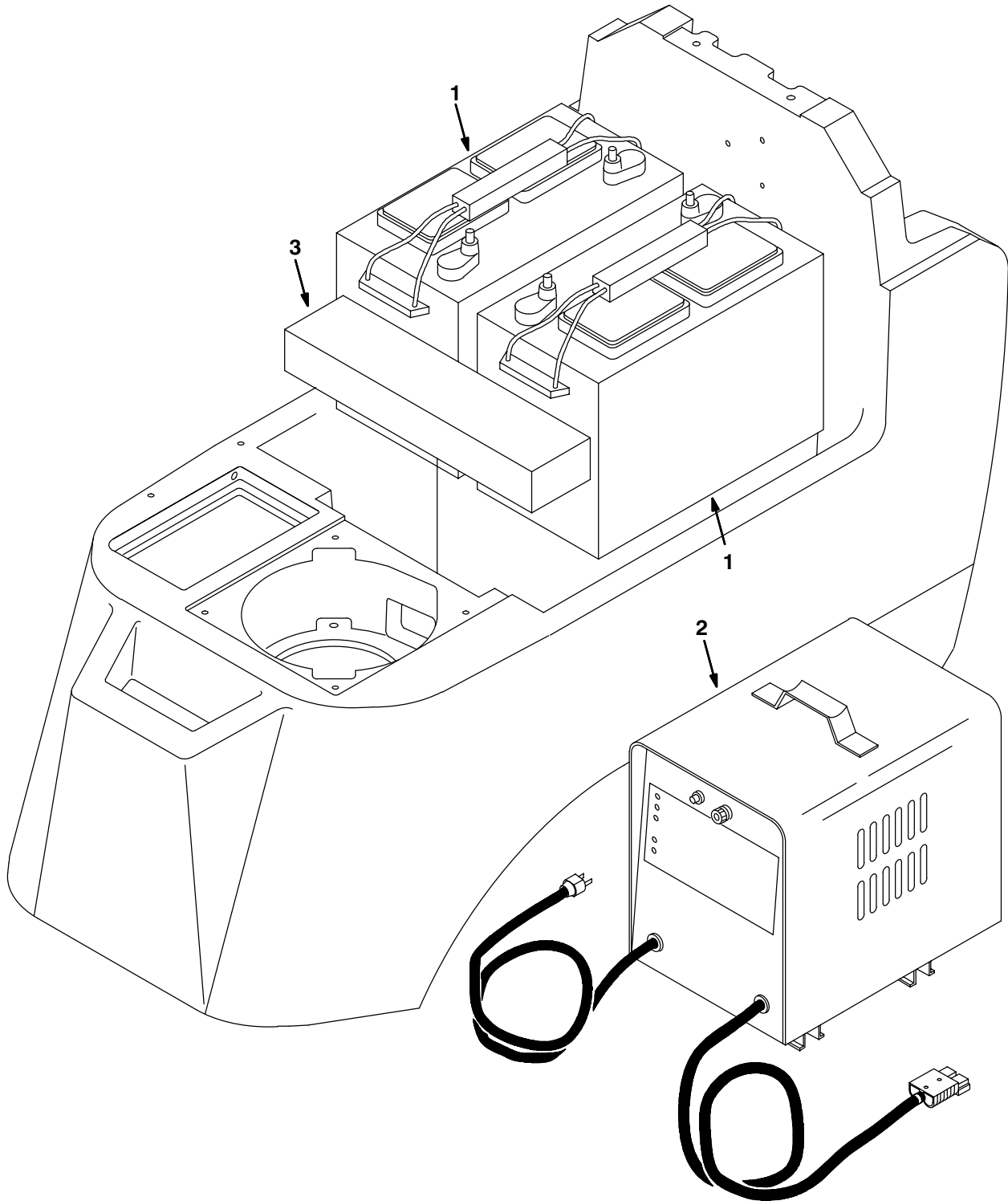
Fig. 9 – Sound Kit



09154/09138

Ref.	Part No.	Description	Qty.
	630735	Kit, Sound Low DB	1
1	600393	Screw, M5 X 40MM FLTHD	4
2	200 315 016	Washer, Flat	4
3	630441	Sound Cover, Foam	1
4	630395	Sound Cover, Plate	1
5	630397	Sound Side, Foam	2
6	630398	Spacer	4

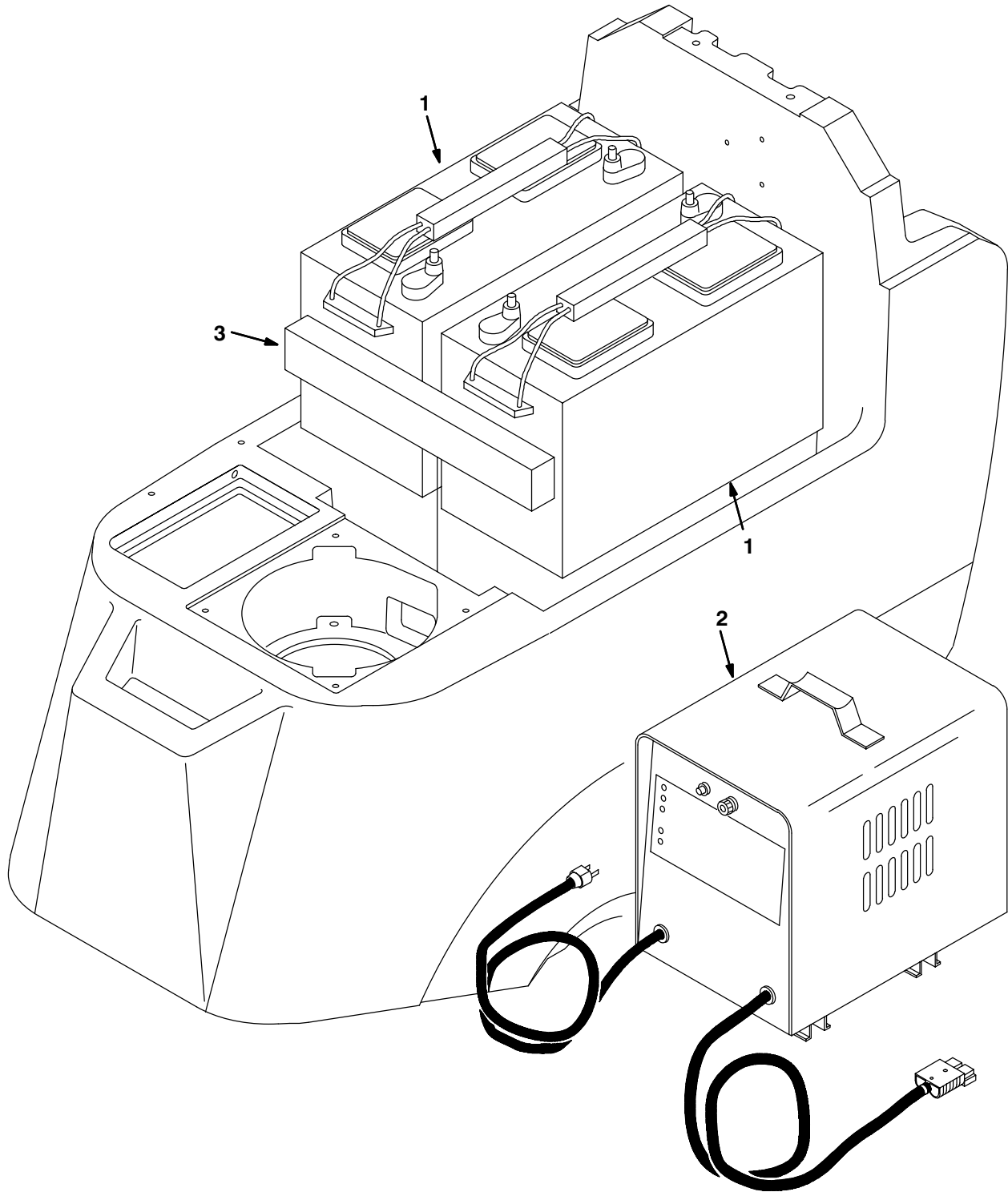
Fig. 10 – Battery Group-130 Ah



Ref.	Part No.	Description	Qty.
1	130869	Battery, 12V 130Ah	2
2	130948	Charger, 24VDC 15AMP 120AC/60Hz	1
3	630375	Stop, Battery Insert, 130Ah	1

09164/09131

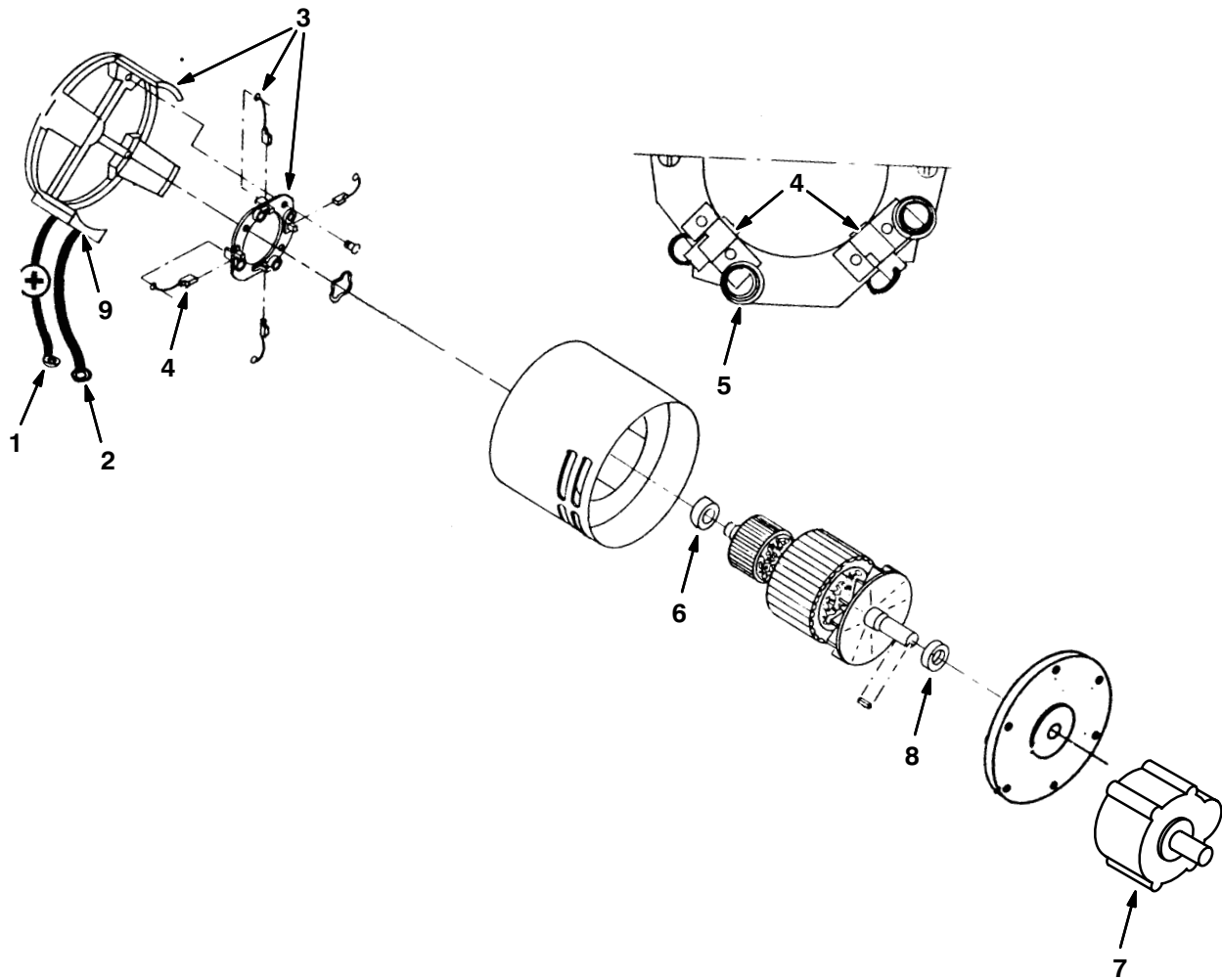
Fig. 11 – Battery Group-215 Ah



Ref.	Part No.	Description	Qty.
1	600394	Battery, 12V 215Ah	2
	600595	Battery, 12V 215 Ah, Damp	2
2	603235	Charger, 24DC/20A/120AC	1
3	630375	Stop, Battery Insert	1

09165/09132

Fig. 1 – Electric Motor Breakdown, 630035



09174/09173

Ref.	Part No.	Description	Qty.
▽	630035	Electric Motor	1
▲ 1	630610	Lead Assembly (Positive)	1
▲ 2	630611	Lead Assembly (Negative)	1
▲▽ 3	630608	Commutator Bracket Assy (Including Brush Board Assy)	1
▲▲ 4	612 410 000	Brush Assembly	4
▲▲ 5	602 131 000	Brush Spring	4
▲ 6	602 088 000	Bearing	1
▲ 7	630609	Gearbox Assembly	1
▲ 8	630607	Bearing	1
▲ 9	630612	Strain Relief	2