



## Electronic Service Manuals

This electronic document is provided as a service to our customers. We do not create the contents of the information contained in this document. Should you have detailed questions pertaining to the information contained in this document, you may contact Michco, or the manufacturer which provided the original information in this electronic deliverable. Michco's only part in this electronic deliverable was the electronic assembly process. By providing this manual on line we are not guaranteeing parts availability.

You may contact Michco through the following methods:

Phone (517) 484-9312 or (800) 331-3339

2011 N. High St. -- Lansing, Michigan -- 48906

Fax: (517) 484-9836

Email: [CustServe@Michco.com](mailto:CustServe@Michco.com)

Web site: [www.Michco.Com](http://www.Michco.Com)

Parts Web site: [www.FloorMachineParts.Com](http://www.FloorMachineParts.Com)

Order Parts on Line at:

**[www.FloorMachineParts.Com](http://www.FloorMachineParts.Com)**

Directly to Parts & Service:

By Email: **[Shop@Michco.com](mailto:Shop@Michco.com)**

By Fax: (517) 702-2041

By Voice: Use numbers above.

**Serving the Cleaning Industry Since 1922**

Notice: All copyrighted material remains property of original owners, all trademarks are property of respective owners. Manuals are subject to Manufacturer's reproduction limitations. Originals or reproductions were provided by manufacturers through a request. We make no warranty as to the correctness of information provided in this document and you assume all risk. By placing these manuals on line we are not declaring our corporation to be an manufacturer authorized dealer or provider, please check our web site for authorized manufacturers we represent.

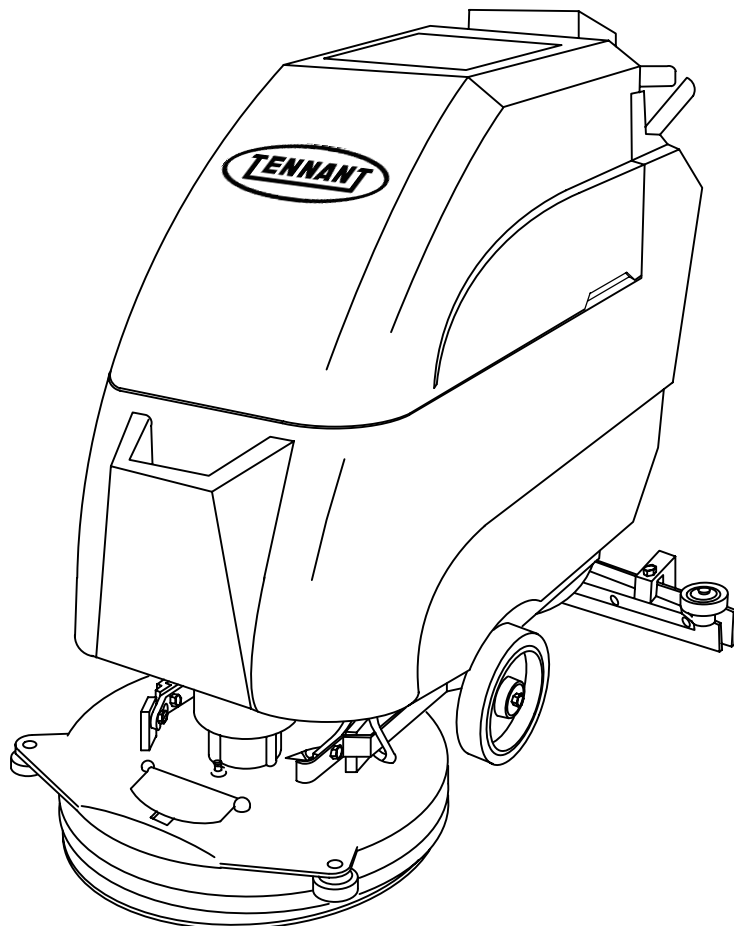


# 5280

Scrubber

**Model No.:**  
**610678**  
**610679 PAC**

**Operator and Parts Manual**

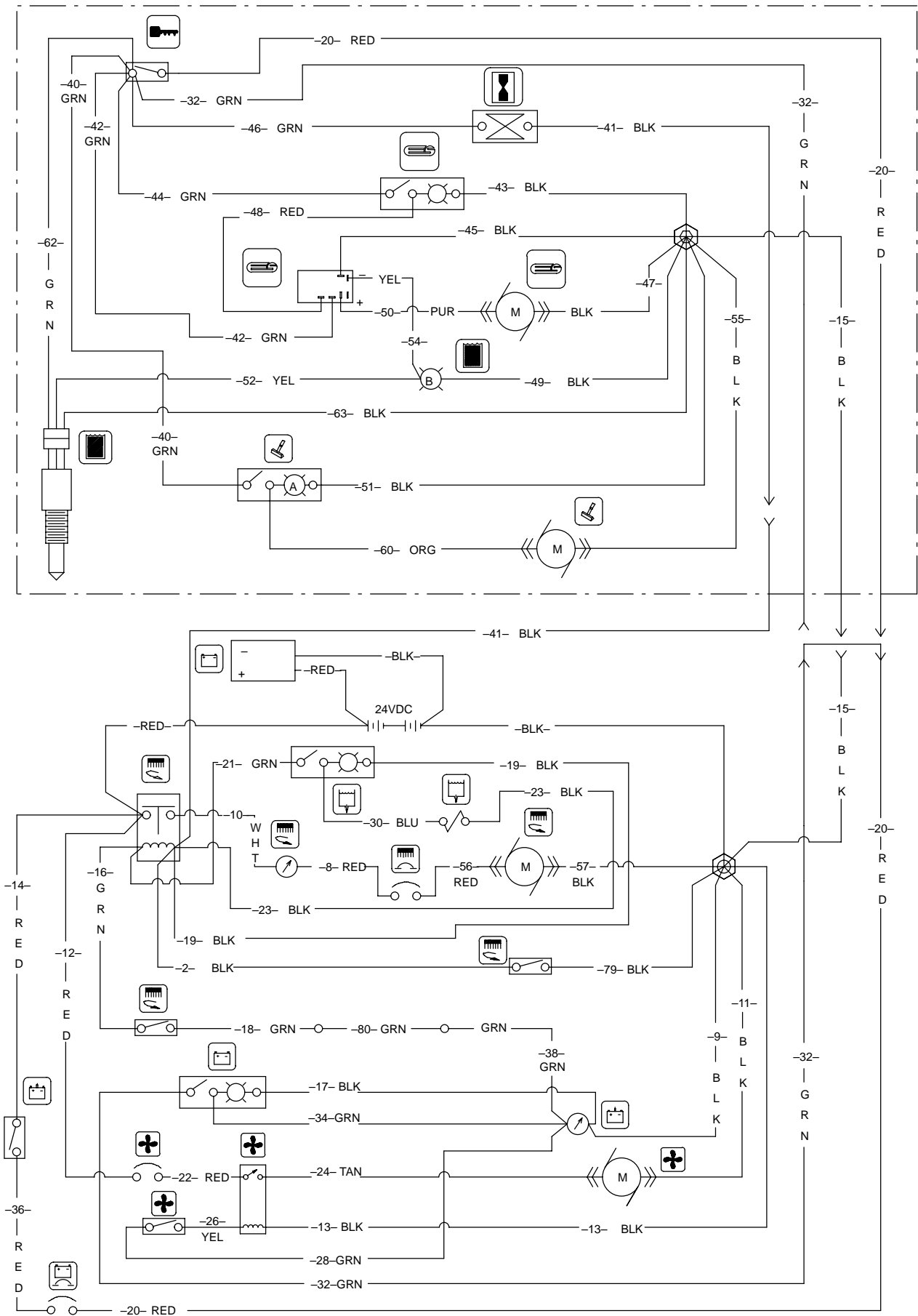


**TENNANT COMPANY**  
**Commercial Products**  
12875 RANSOM STREET  
HOLLAND MI 49424 U.S.A.

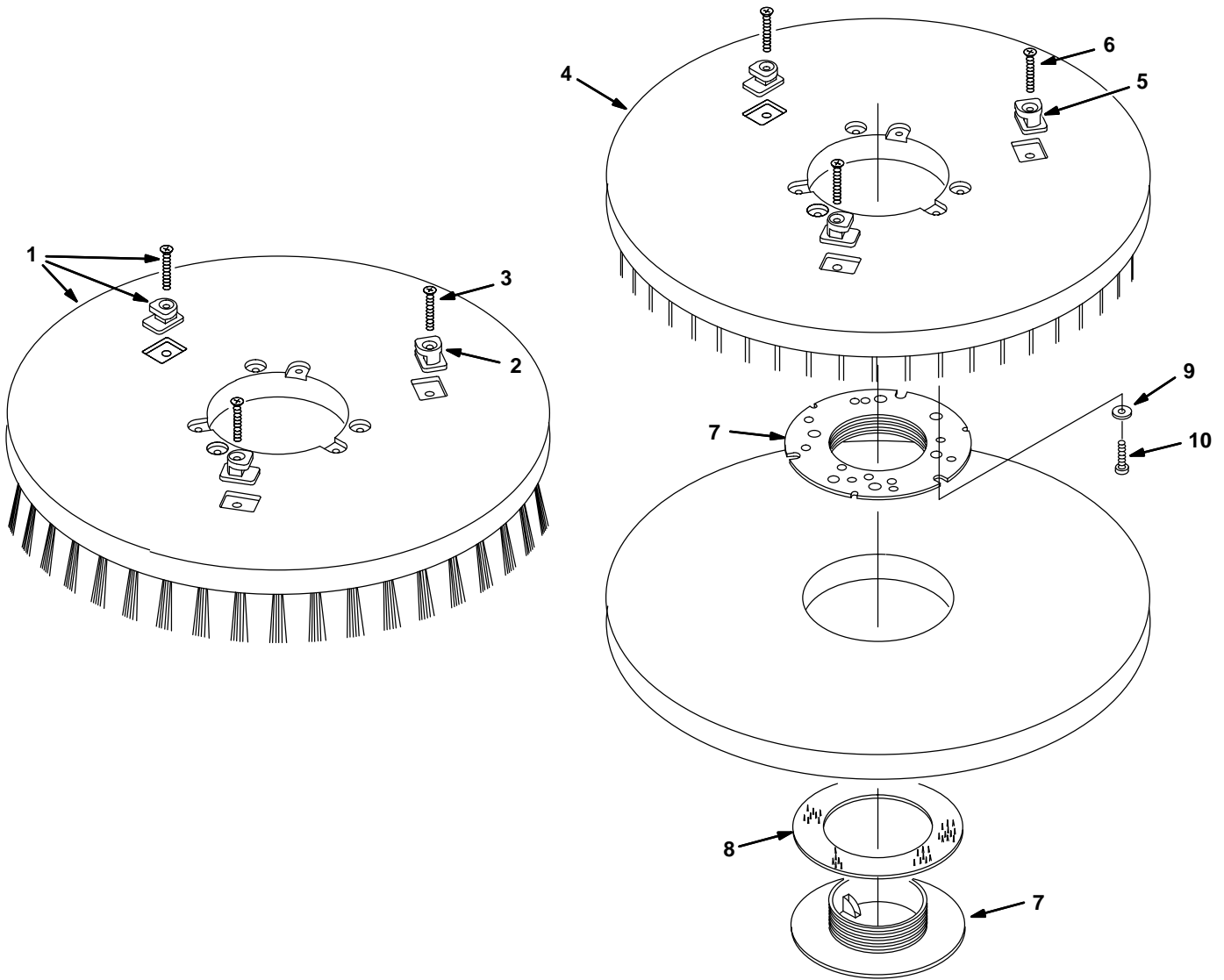
FAX: 1-800-678-4240  
CUSTOMER SERVICE: 1-800-982-7658

**610168**  
**Rev. 01 (06-02)**

# ELECTRICAL DIAGRAM



REPLACEMENT BRUSHES AND PAD DRIVER GROUP



## REPLACEMENT BRUSHES AND PAD DRIVER GROUP

REF	PART #	DESCRIPTION	QTY.
▽ 1	222301	BRUSH ASM, 20" NYLON	1
▲ 2	630214	●STUD, 20" BRUSH/PAD DRIVER	3
▲ 3	66016	SCREW, M6X1.0X40 FLTHD	3
▽ 1	222300	BRUSH ASM, 20" POLY	1
▲ 2	630214	●STUD, 20" BRUSH/PAD DRIVER	3
▲ 3	66016	SCREW, M6X1.0X40 FLTHD	3
▽ 1	222302	BRUSH ASM, 20" GRIT	1
▲ 2	630214	●STUD, 20" BRUSH/PAD DRIVER	3
▲ 3	66016	SCREW, M6X1.0X40 FLTHD	3

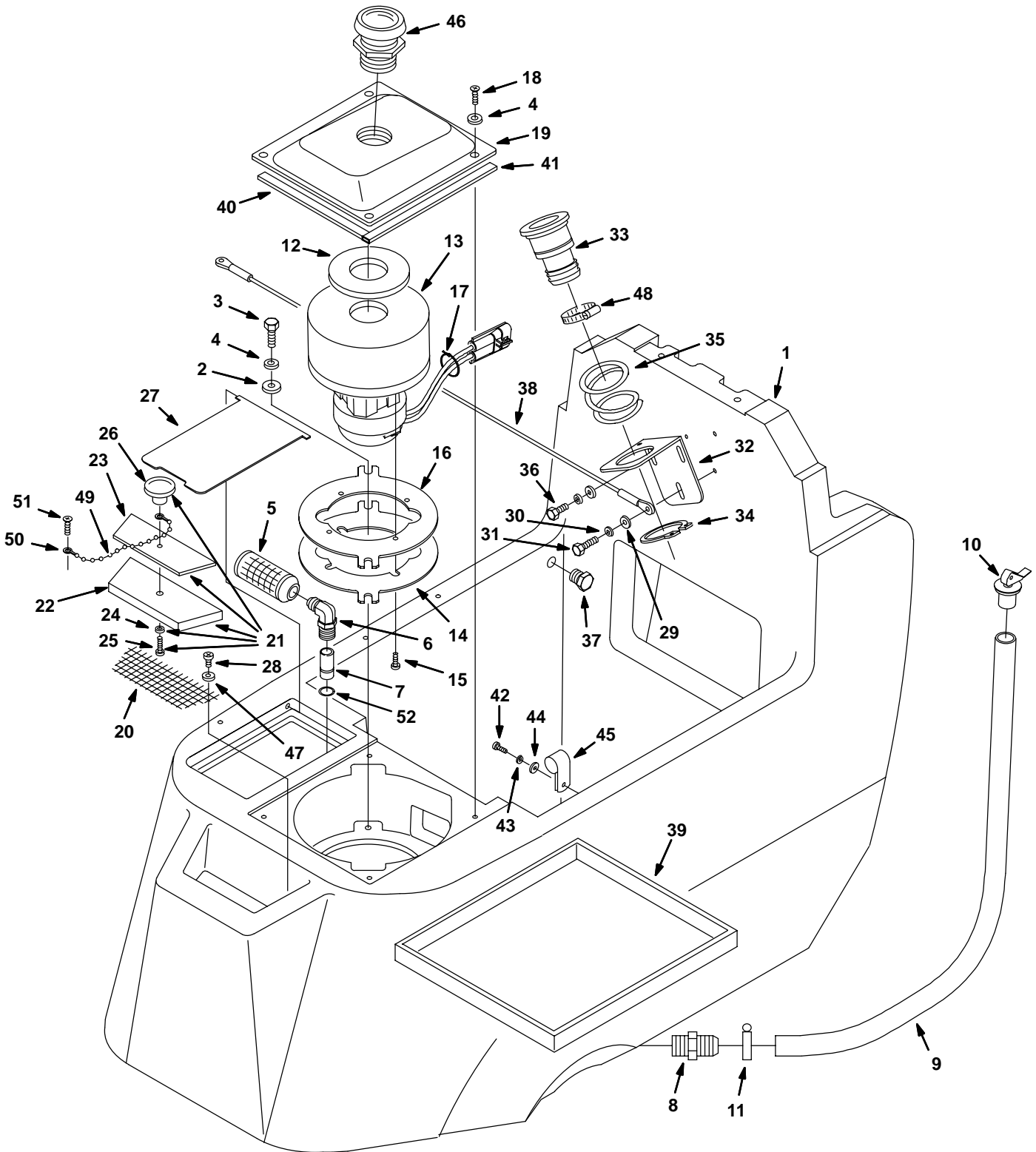
REF	PART #	DESCRIPTION	QTY.
▽ 4	222303	●PAD DRIVER ASM, 20" PLAS BACK	1
▲ 5	630214	●STUD, 20" BRUSH/PAD DRIVER	3
▲ 6	66016	SCREW, M6X1.0X40 FLTHD	3
▲ 7	630473	●CENTER LOCK, PAD RETAINER	1
▲ 8	630472	WASHER, BRUSH PAD RETAINER	1
▲ 9	140007	WASHER, #8 FLAT	3
▲ 10	200070351	SCREW, M4X25	3

▽ ASSEMBLY

▲ INCLUDED IN ASSEMBLY

● RECOMMENDED STOCK ITEMS

SOLUTION TANK AND VACUUM MOTOR GROUP



## SOLUTION TANK AND VACUUM MOTOR GROUP

REF	PART #	DESCRIPTION	QTY.
1	602698	TANK, SOLUTION TEAL	1
2	32491	WASHER, 5/16 FLAT	2
3	200031488	SCREW, M8X1.25X20 HXHDCP	2
4	200370019	WASHER, M8.4 LOCK	6
5	630024	●FILTER, SCREEN	1
6	630371	FITTING, 1/2MX5/8H ELBOW	1
7	601105	SPACER, .50X.62X1.62	1
8	612146000	FITTING, 3/4M X 3/4H STRT	1
9	630018	HOSE, 3/4ID X 33"	1
10	630019	●PLUG, EXPANSION, 3/4"ID	1
11	630369	CLAMP, HOSE .50-1.1"	1
12	102557	●GASKET, VAC MOTOR SEAL	1
13	607003	●MOTOR, VAC 5.7 2-STAGE 24V	1
	190163	●BRUSH, CARBON 2/PK	1
14	630013	GASKET, VAC MOTOR BRACKET	1
15	140340	SCREW, #10X5/8 PANPHL	4
16	630014	BRACKET, VAC MOTOR 20"	1
17	130040	WIRE TIE, 6"X.12	1
18	608322	SCREW, M6X1.0X16 TRSPHL	4
19	630015	COVER, VAC MOTOR 20"	1
20	630006	FILTER SCREEN	1
▽ 21	630602	KIT, FILL COVER ASM	1
▲ 22	630338	COVER, SOLUTION FILL	1
▲ 23	630341	STIFFENER, SOL FILL COVER	1
▲ 24	140018	WASHER, #10 LOCK	1
▲ 25	578201000	SCREW, 10-32X.5 PANPHL	1
▲ 26	578301	KNOB, FILL-COVER	1

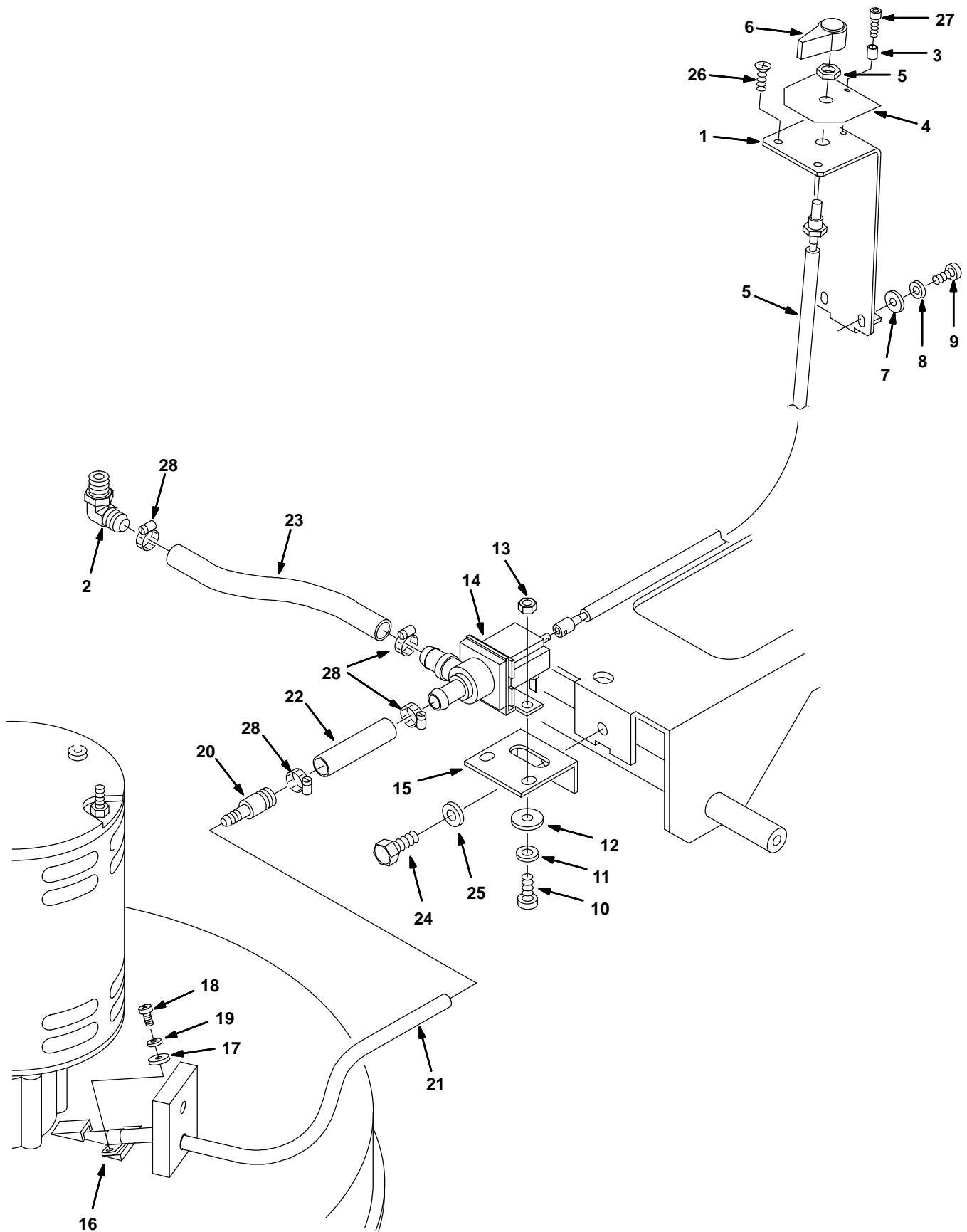
REF	PART #	DESCRIPTION	QTY.
27	630007	DOOR, SOL TANK ACCESS	1
28	140872	SCREW, #6X3/8 PANPHL	2
29	579210	WASHER, M6.4 FLAT	3
30	578244000	WASHER, M6.4 LOCK	3
31	08716	SCREW, M6X1.0X20 HXHDCP	1
32	630012	BRACKET, VAC TRANS MOUNT	1
33	630011	TUBE, VAC TRANS, FLANGE & BARB	1
34	630016	RING, RETAINING 1.82" DIA EXT	1
35	630267	SPRING, COMP 2.12X2.00	1
36	200031436	SCREW, M6X1.0X16 HXHDCP	2
37	630146	FITTING, 3/8M PLUG	1
38	630021	CABLE ASM, TANK SUPPORT	1
39	601991	TRAY, BATTERY	1
40	630380	GASKET, 191MM VAC MTR COVER	2
41	630381	GASKET, 223MM VAC MTR	2
42	200070340	SCREW, M4X.7X8 PANPHL	2
43	140023	WASHER, #8 LOCK	2
44	200301014	WASHER, M4.3 FLAT	2
45	630343	CLAMP, CABLE 7/8ID	2
46	630017	FILTER, SCREEN VAC FAN	1
47	140032	WASHER, #6 FLAT	2
48	140308	CLAMP, HOSE 1-5/16 TO 2-1/4	1
49	575537	CHAIN, BALL #10	.12m
50	575536	CHAIN, COUPLING END	2
51	140826	SCREW, #6X3/4 PANPHL	1
52	630508	O-RING, 9.2 ID X 12.7 OD	1

▽ ASSEMBLY

▲ INCLUDED IN ASSEMBLY

● RECOMMENDED STOCK ITEMS

SOLUTION CONTROL GROUP



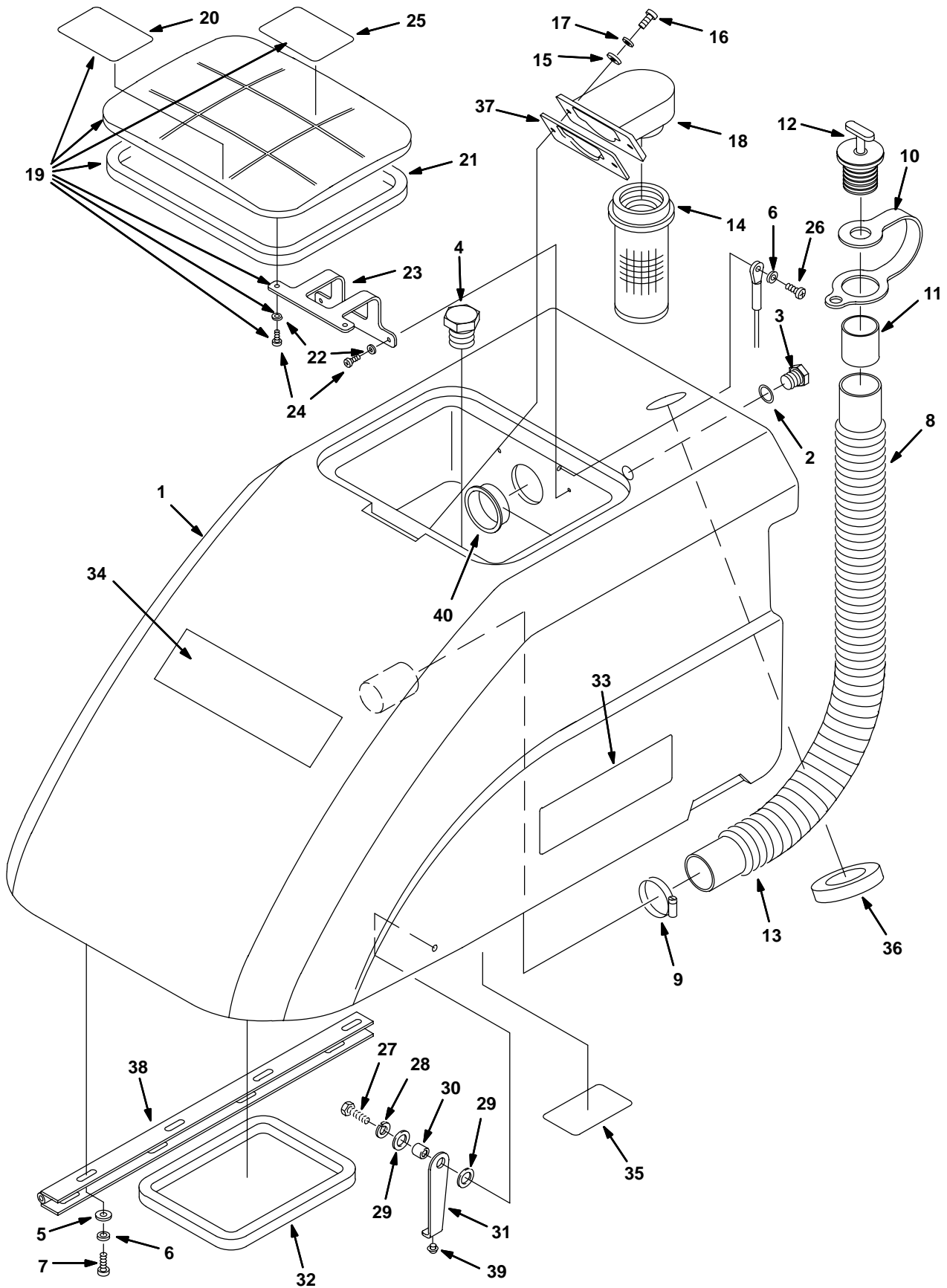
## SOLUTION CONTROL GROUP

REF	PART #	DESCRIPTION	QTY.
1	630057	BRACKET, SOL. ADJ. KNOB	1
2	601104000	FITTING, 1/2MX1/2H ELBOW	1
3	630452	SPACER, 4.3X8.0X5.0 NYLON	1
4	630233	LABEL, FLOW CONTROL	1
5	630117	CABLE, WATER FLOW CONTROL	1
6	630116	KNOB, VALVE-ADJUSTING	1
7	200315016	WASHER, M5.3 FLAT	2
8	140018	WASHER, #10 LOCK	2
9	575569000	SCREW, M5X16 PANPHL	2
10	608322	SCREW, M6X1.0X16 TRSPHL	2
11	578244000	WASHER, M6.4 LOCK	2
12	19066	WASHER, 3/16 FLAT	2
13	579029	NUT, M6X1.0	2
14	630022	●VALVE, SOLENOID 24VDC	1
15	630059	BRACKET, VALVE	1

## ● RECOMMENDED STOCK ITEMS

REF	PART #	DESCRIPTION	QTY.
16	140328	CLAMP, CABLE 3/8ID	1
17	200301014	WASHER, M4.3 FLAT	1
18	579259	SCREW, M4X.7X12 PANPHL	1
19	140023	WASHER, #8 LOCK	1
20	630164	FITTING, 1/2HX1/4H STR	1
21	630366	HOSE, .25ID X .345MM	1
22	613509	HOSE, 1/2ID X .160FT SOLENOID/REDUCER	1
23	613519	HOSE, 1/2ID X .710FT TANK/SOLENOID	1
24	200031488	SCREW, M8X1.25X20 HXHDCP	1
25	200370019	WASHER, M8.4 LOCK	1
26	069764140	SCREW, M5X.8X16 FLTPHL	2
27	200001343	SCREW, M4X.7X12 SKHDCP	1
28	54333	CLAMP, HOSE 5/16-7/8	4

RECOVERY TANK GROUP



## RECOVERY TANK GROUP

REF	PART #	DESCRIPTION	QTY.
1	610935	TANK, RECOVERY TEAL	1
2	630134	O-RING, 16MM OD X 3.5MM	1
3	630139	FITTING, PLUG HEX 3/8"	1
4	630147	FITTING, 3/4" NPT PLUG	1
5	19066	WASHER, 3/16 FLAT	8
6	578244000	WASHER, M6.4 LOCK	9
7	608322	SCREW, M6X1.0X16 TRSPHL	8
▽ 8	603217	●DRAINHOSE ASM	1
▲ 9	140308	CLAMP, HOSE 1-5/16 TO 2-1/4	1
▲ 10	578441	STRAP, DRAIN HOSE	1
▲ 11	630394	SLEEVE, DRAIN HOSE 1.5"ID	1
▲ 12	621324	PLUG, EXPANSION 1-1/2" DIA	1
▲ 13	630068	HOSE, DRAIN 38.1ID	1
14	630052	●FLOAT, SHUT-OFF (2)BALL	1
15	059650283	WASHER, M6.4 FLAT	2
16	600385	SCREW, M6X1.0X20 PANPHL	2
17	578244000	WASHER, M6.4 LOCK	2
18	630053	MOUNT, FLOAT-CAGE	1
▽ 19	630601	KIT, RECOVERY TANK COVER	1
▲ 20	630420	LABEL, "FLAMMABLE MAT'L" TXTLS	1

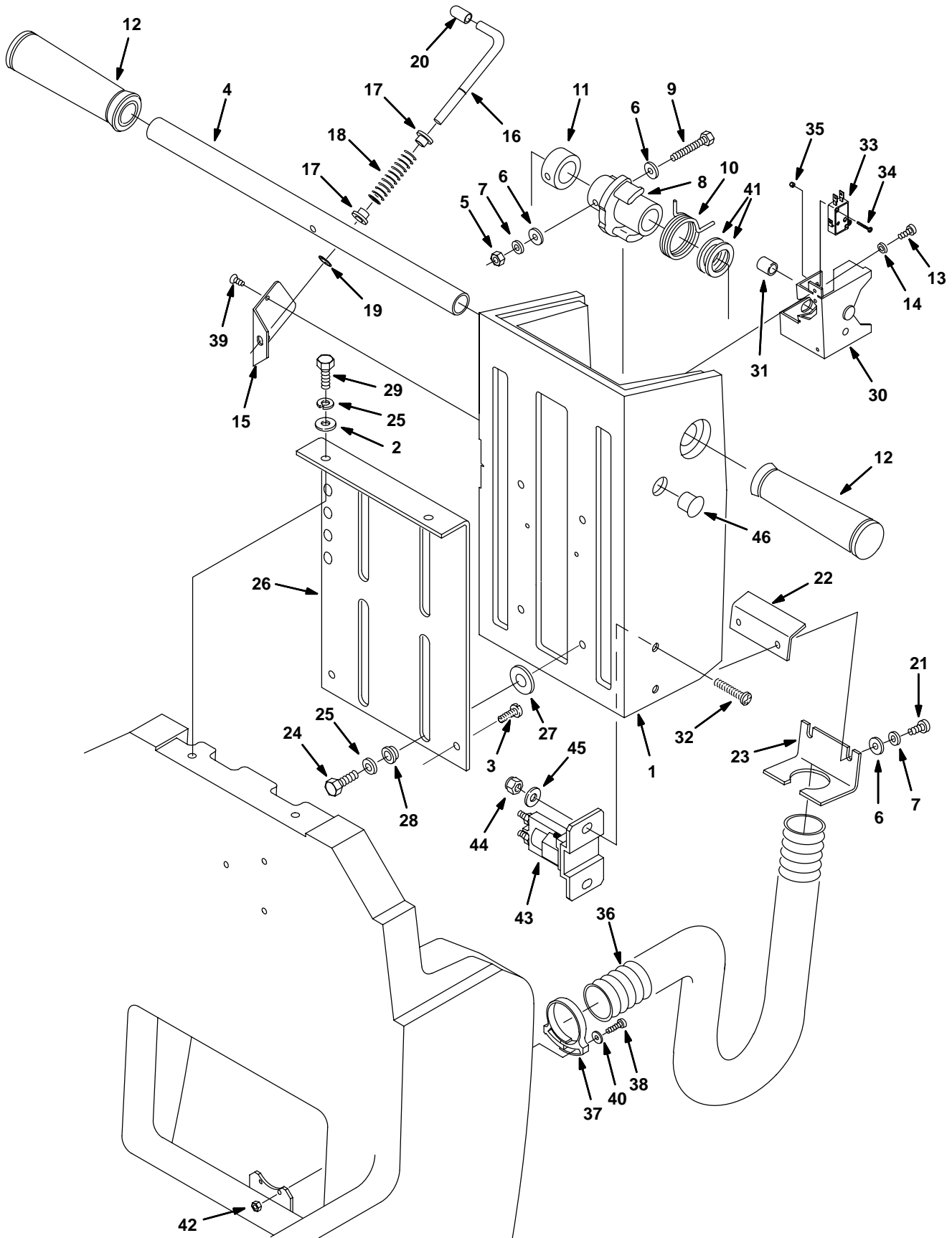
REF	PART #	DESCRIPTION	QTY.
▲ 21	630367	●GASKET, REC TANK COVER	1
▲ 22	630390	WASHER, .15X.56X.04 FLAT	4
▲ 23	630056	STRAP, TANK COVER RETAINING	1
▲ 24	140872	SCREW, #6X3/8 PANPHL	4
▲ 25	606105	LABEL, DO NOT SPRAY	1
26	200031436	SCREW, M6X1.0X16 HXHDCP	1
27	200031486	SCREW, M8X1.25X16 HXHDCP	1
28	140015	WASHER, 5/16 LOCK	1
29	140027	WASHER, 5/16 FLAT	2
30	611418	BUSHING, .31X.44X.14	1
31	606527	SUPPORT, RECOVERY TANK	1
32	630368	●GASKET, 650MM	1
33	610281	LABEL, MODEL "5280"	2
34	630229	LABEL, TENNANT LOGO	1
35	630420	LABEL, "FLAMMABLE MAT'L" TXTLS	1
36	630010	●GASKET, 70OD,43ID,12.7THK	1
37	630255	GASKET, FLOAT MOUNT	1
38	630048	HINGE, 17.9"	1
39	069760189	BUMPER, RUBBER	1
40	610979	PLUG	1

▽ ASSEMBLY

▲ INCLUDED IN ASSEMBLY

● RECOMMENDED STOCK ITEMS

CONSOLE GROUP



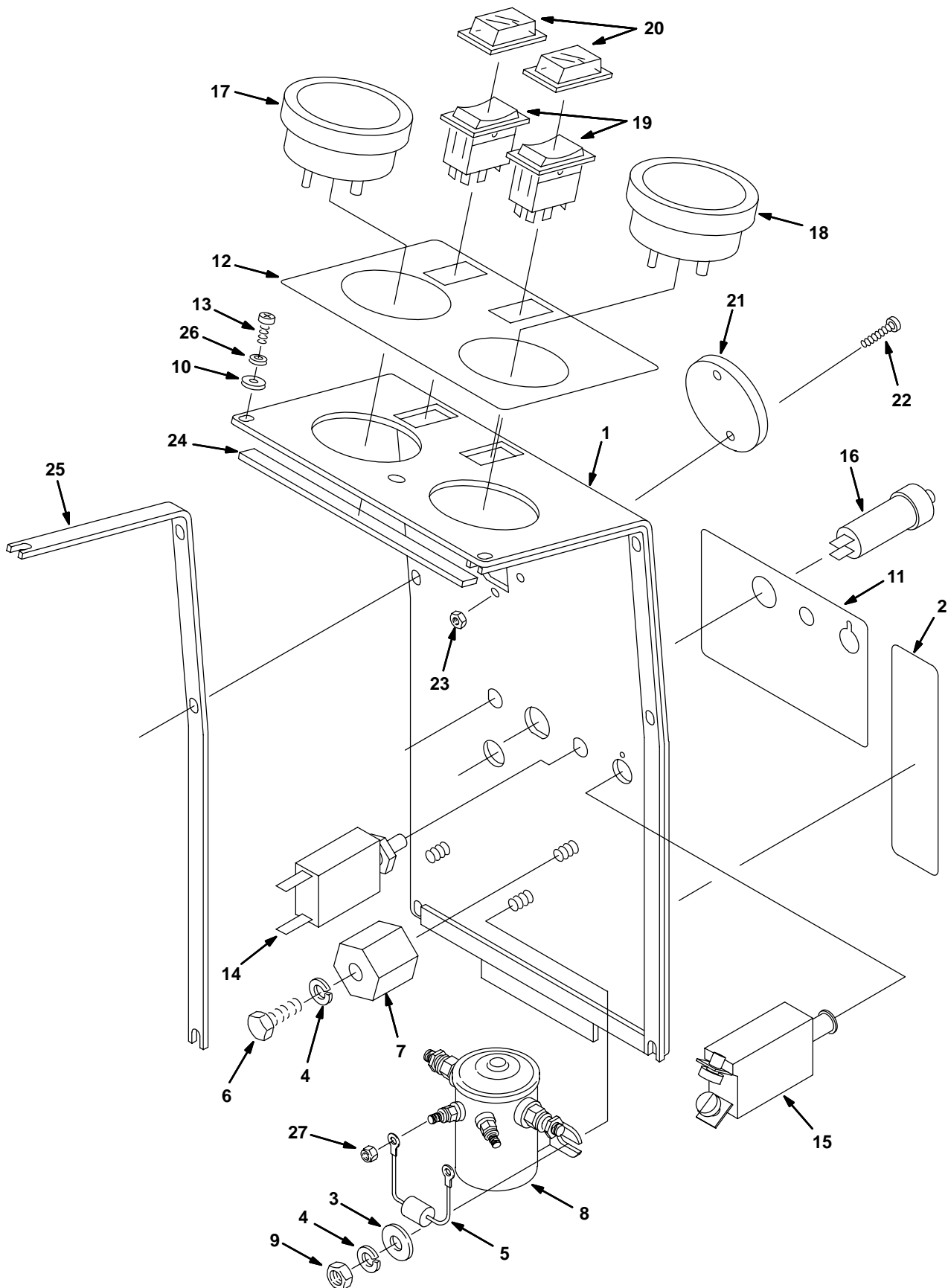
## CONSOLE GROUP

REF	PART #	DESCRIPTION	QTY.
1	610922	CONSOLE TEAL	1
2	140027	WASHER, 5/16 FLAT	2
3	630306	SCREW, M8X1.25X16 FLTPHL	2
4	630093	HANDLEBAR	1
5	579029	NUT, M6X1.0	1
6	579210	WASHER, M6.4 FLAT	4
7	578244000	WASHER, M6.4 LOCK	3
8	630109	ASM, HUB & GEAR	1
9	630431	SCREW, M6X1.0X40	1
10	630088	SPRING, CENTER	1
11	630217	COLLAR, .88"ID,1.38"OD,.63"LG.	1
12	222648	GRIP, HANDLE	2
13	200070340	SCREW, M4X.7X8 PANPHL	2
14	140023	WASHER, #8 LOCK	2
15	630087	PLATE, LATCH RETAINER	1
16	630081	LEVER, LATCH, CONSOLE ADJUST	1
17	630083	BUSHING, LATCH	2
18	630082	SPRING, COMP .42X1.75X.035"	1
19	630084	RING, RETAINING EXT	1
20	630094	GRIP, CONSOLE ADJUST LEVER	1
21	608322	SCREW, M6X1.0X16 TRSPHL	2
22	630086	PLATE, STRAIN-RELIEF	1
23	630108	BRACKET, CONDUIT MOUNT	1

REF	PART #	DESCRIPTION	QTY.
24	200031486	SCREW, M8X1.25X16 HXHDCP	4
25	200370019	WASHER, M8.4 LOCK	6
26	582078	PLATE, CONSOLE SLIDE	1
27	630447	WASHER, M12.7X25.4X.8 NYLON	4
28	630095	BEARING, .38IDX.50ODX.25LG FLG	4
29	200031488	SCREW, M8X1.25X20 HXHDCP	2
30	630079	BRACKET, LIMIT SWITCH MOUNT	1
31	630260	SPACER, 6.5X12.7X15.9 NYLON	1
32	15858.12	SCREW, #10-24X3/4 FLTPHL	2
33	611006	●KIT, SWITCH REPLACEMENT	1
34	579213	SCREW, M3X.5X20 HXHDCP	2
35	579211	NUT, M3 HEXLOCK	2
36	630113	CONDUIT, CONVOLUTED, BLACK	1
37	140322	CLAMP, VAC HOSE	1
38	578403000	SCREW, M3X.5X20 PANPHL	2
39	630114	SCREW, M4X.7X8 FLTPHL	2
40	200301012	WASHER, M3 FLAT	2
41	069760582	WASHER, M23X34X8 NYLON	2
42	579211	NUT, M3 HEXLOCK	2
43	603008	●CONTACTOR, 24VDC 100A	1
44	140552	NUT, #10-24 NYLOCK	2
45	19324	WASHER, #10 FLAT	2
46	130280	PLUG, DOME 7/16 BLACK	1

## ● RECOMMENDED STOCK ITEMS

CONSOLE PANEL GROUP



## CONSOLE PANEL GROUP

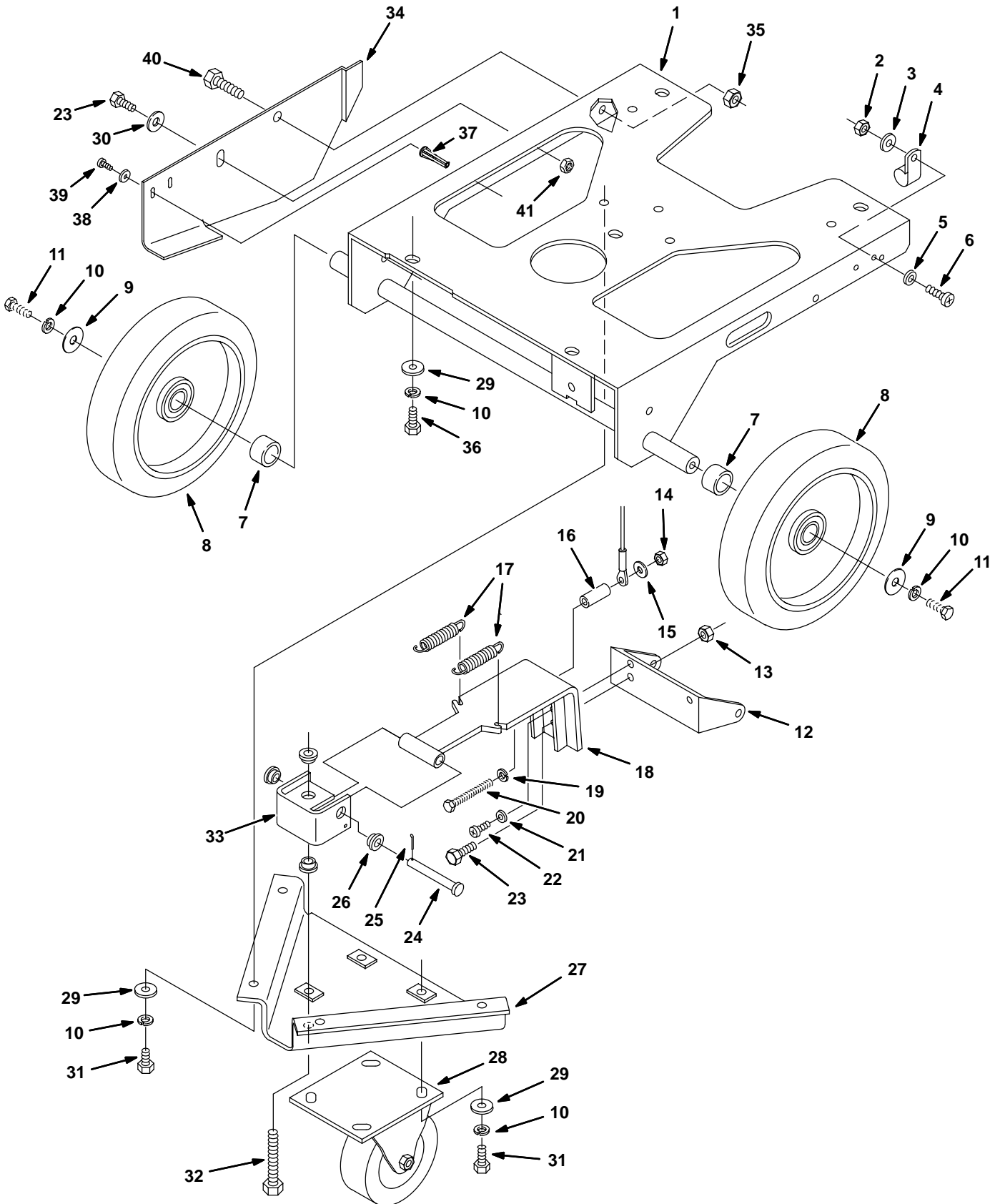
REF	PART #	DESCRIPTION	QTY.
1	602477	PLATE, SWITCH 20DC	1
2	630422	LABEL, BATT. CHARGE TEXTLESS	1
3	140000	WASHER, 1/4 FLAT	2
4	578244000	WASHER, M6.4 LOCK	3
5	606404	●ASM, DIODE W/RING TERMINALS	1
6	069762115	SCREW, 1/4-20X1/2 HXHDCP	1
7	578427	STANDOFF, TERMINAL	1
8	605905	●SOLENOID, 24 VDC	1
9	14501	NUT, 1/4-20 NYLOCK	2
10	200301014	WASHER, M4.3 FLAT	8
11	610282	LABEL, CIRCUIT BREAKER	1
12	610283	LABEL, CONSOLE	1
13	200070340	SCREW, M4X.7X8 PANPHL	8
14	605201	●BREAKER, CIRCUIT, 17A	1
15	602951	●BREAKER, CIRCUIT, 35A	1
16	630102	●BREAKER, CIRCUIT, 7A	1

REF	PART #	DESCRIPTION	QTY.
17	630090	●GAUGE, BRUSH PRESSURE	1
18	630091	●METER, BATTERY, 24 VDC	1
19	630419	●SWITCH, RCKR SPST 24VDC GRN	2
20	578720	●SPLASHGUARD, RCKR SWITCH	2
21	607002	PLATE, COVER	1
22	200070340	SCREW, M4X.7X8 PANPHL	2
23	02850	NUT, M4 HEXLOCK	2
24	630453	GASKET, 143MM	2
25	630119	GASKET, CONSOLE 3.1X8.0X420	2
26	140023	WASHER, #8 LOCK	8
27	575380	NUT, #10-32	2
N/S	607789	HARNESS, MAIN W/WATERPROOF	1
N/S	611028	ASM WIRE, #16X3GRN 1/4M-1/4M	1
N/S	611029	ASM WIRE, #18X19BLK 1/4F-1/4R	1

● RECOMMENDED STOCK ITEMS

N/S = NOT SHOWN

MAIN FRAME GROUP



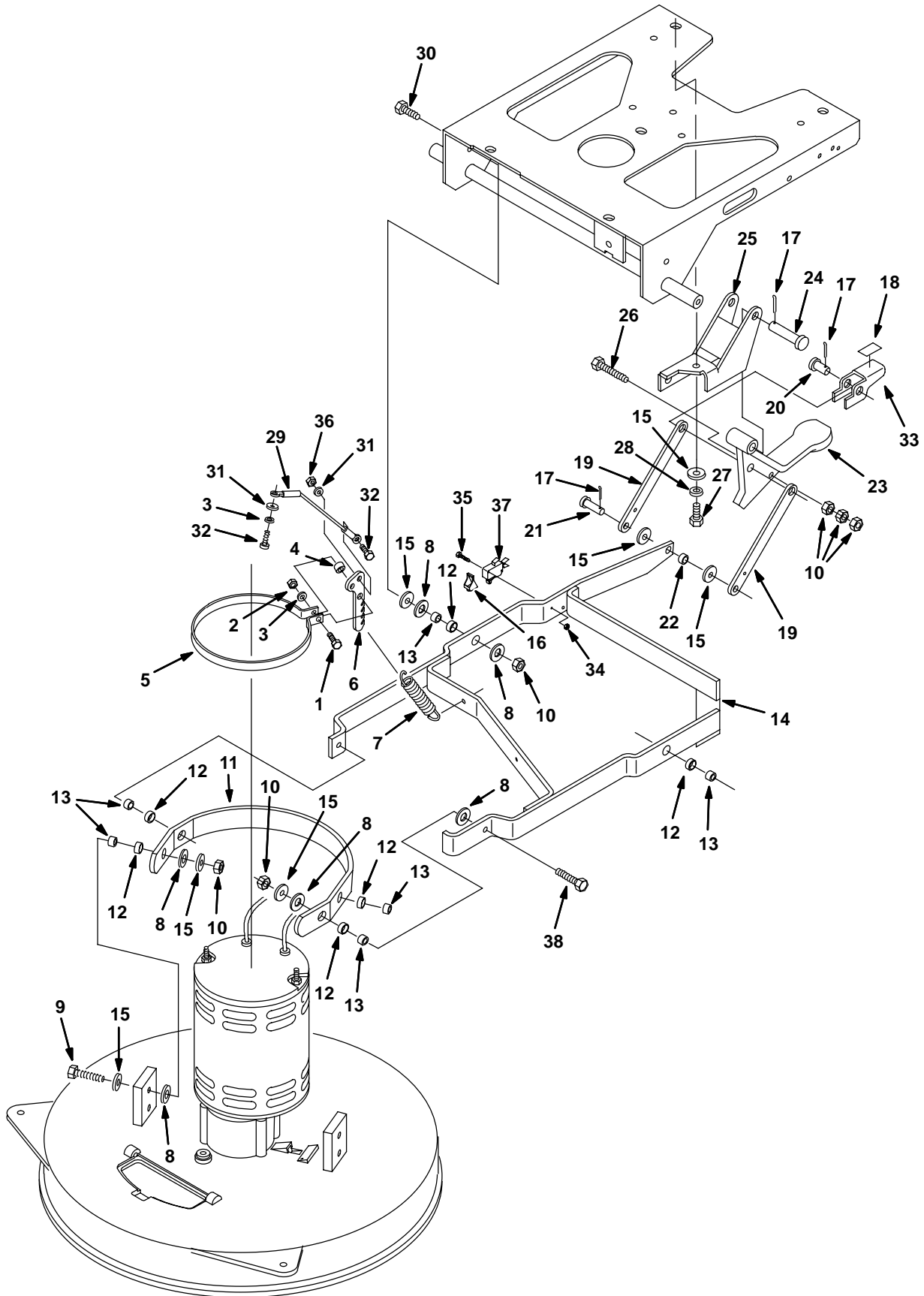
## MAIN FRAME GROUP

REF	PART #	DESCRIPTION	QTY.
1	630023	FRAME	1
2	579029	NUT, M6X1.0	1
3	579210	WASHER, M6.4 FLAT	1
4	630428	CLAMP, CABLE 1"ID	1
5	578244000	WASHER, M6.4 LOCK	1
6	608322	SCREW, M6X1.0X16 TRSPHL	1
7	610287	BUSHING, 1.125OD X .75ID X.50LG	2
8	610286	●WHEEL, 8" X 2"	2
9	069764631	WASHER, M8.4 FLAT	2
10	200370019	WASHER, M8.4 LOCK	15
11	200031488	SCREW, M8X1.25X20 HXHDCP	2
12	630278	BRACKET, TIP ADJUST	1
13	08709	NUT, M8 HEXLOCK	1
14	41169	NUT, 1/4-20 NYLOCK	1
15	140000	WASHER, 1/4 FLAT	1
16	610209	SPACER	1
17	610285	SPRING, EXTENSION	2
18	610208	ARM, SQUEEGEE	1
19	578244000	WASHER, M6.4 LOCK	1
20	610288	SCREW, 1/4-20X1.62 HEXHD	1
21	578244000	WASHER, M6.4 LOCK	1

## ● RECOMMENDED STOCK ITEMS

REF	PART #	DESCRIPTION	QTY.
22	363503	SCREW, M6X1.0X12	1
23	200031488	SCREW, M8X1.25X20	2
24	630047	PIN, CLEVIS 3/8DIA X 2-3/4	1
25	39005	PIN, COTTER	1
26	630095	BEARING, FLANGE	4
27	630003	FRAME, CASTER MOUNT	1
28	612056	●CASTER, 4"DIA 1-3/8"W	1
29	32491	WASHER, 5/16 FLAT	13
30	200303019	WASHER, M8 FLAT	1
31	200031486	SCREW, M8X1.25X16 HXHDCP	8
32	630345	SCREW, 3/8DIA X 2 SHOULDER	1
33	630045	BRACKET, SQUEEGEE LIFT	1
34	630307	BRACKET, SAFETY AND LIMIT	1
35	41430	NUT, M10 HEXLOCK	1
36	200031488	SCREW, M8X1.25X20 HXHDCP	5
37	578329000	SCREW, #6 ANCHOR	2
38	140032	WASHER, #6 FLAT	2
39	590137	SCREW, 6-32X3/8 TRSPHL	2
40	09291	SCREW, M10X1.5X20 HEXHD	1
41	08709	NUT, M8 HEX LOCK	1

SCRUB HEAD LIFT GROUP



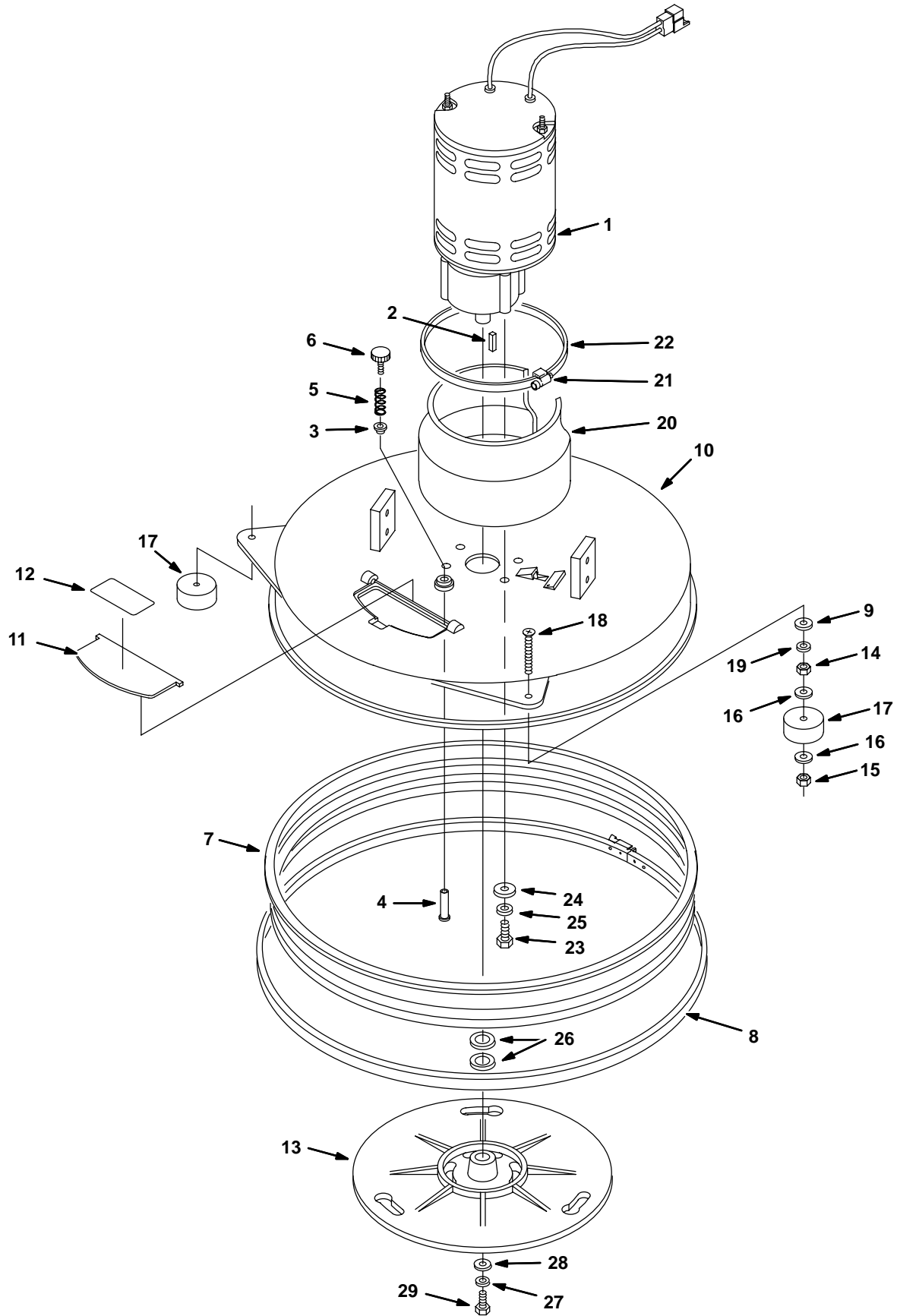
## SCRUB HEAD LIFT GROUP

REF	PART #	DESCRIPTION	QTY.
1	200031444	SCREW, M6X1.0X30 HXHDCP	1
2	579029	NUT, M6X1.0	1
3	578244000	WASHER, M6.4 LOCK	2
4	140154	SPACER, .25X.38X.31	1
5	630050	BAND, MOTOR SPRING MOUNT	1
6	630377	BRACKET, SCRUB HEAD LEVEL	1
7	630208	SPRING, MOTOR CNTR TORQUE	1
8	630447	WASHER, M12.7X25.4X.8 NYLON	12
9	200031496	SCREW, M8X1.25X35	2
10	08709	NUT, M8 HEXLOCK	9
11	630177	BRACKET, MOTOR PIVOT	1
12	630188	BEARING .50"IDX.25LG JOURNAL	6
13	630189	SLEEVE, BRG 12.7ODX8.7ID 08	6
14	630176	HEAD LIFT, WELDMENT	1
15	32491	WASHER, 5/16 FLAT	11
16	600372	BOOT, SWITCH	1
17	578421	PIN, COTTER 1/8X1"	3
18	600721	PAD, NON SLIP SURFACING	1
19	630182	ARM, LINK, HEADLIFT	2

REF	PART #	DESCRIPTION	QTY.
20	600720	PIN, CLEVIS 1/2DIAX1-19/64	1
21	630258	PIN, CLEVIS 3/8DIAX1"	1
22	630259	BEARING, 9.5ID, 12.7OD, 6.4LG	1
23	630181	PEDAL, FOOT HEADLIFT	1
24	630448	PIN, CLEVIS 1/2DIAX2-1/4	1
25	630206	BRACKET, HEADLIFT ASM	1
26	200032503	SCREW, M8X1.25X60	1
27	200031488	SCREW, M8X1.25X20 HXHDCP	1
28	200370019	WASHER, M8.4 LOCK	1
29	630384	CABLE, HEAD LIFT	1
30	09010	SCREW, M8X1.25X25	2
31	19066	WASHER, 3/16 FLAT	2
32	200031436	SCREW, M6X1.0X16 HXHDCP	2
33	600719	LATCH, HEAD RELEASE	1
34	579211	NUT, M3 HEXLOCK	2
35	579213	SCREW, M3X.5X20 HXHDCP	2
36	08708	NUT, M6 HEXLOCK	1
37	611006	●KIT, SWITCH REPLACEMENT	1
38	200031494	SCREW, M8X1.25X30	2

● RECOMMENDED STOCK ITEMS

SCRUB BRUSH DRIVE GROUP



## SCRUB BRUSH DRIVE GROUP

REF	PART #	DESCRIPTION	QTY.
▽ 1	610263	●MOTOR, BRUSH .75HP 24VDC 200RPM	1
	190970	●BRUSH, CARBON	4
	611024	ASM., BRUSH CARD	1
	630609	ASM., GEAR BOX	1
▲ 2	630454	KEY, SQUARE .25X1.12 LG	1
3	605825	SCREW, HEAD STOP PIN	1
4	630308	PIN, HEAD STOP	1
5	630310	SPRING, HEAD STOP	1
6	603012	KNOB, HUB LOCK	1
7	630506	●SKIRT, SCRUB HEAD HEAVY DUTY	1
8	602045000	BAND, SKIRT HEAVY DUTY	1.6M
	602044000	FASTENER, ADJUSTING	1
9	32491	WASHER, 5/16 FLAT	2
10	630026	HEAD, SCRUBBER 20"	1
▽ 11	630603	KIT, BRUSH DOOR W/LABEL	1
▲ 12	578769	LABEL, MOVING PARTS	1
13	630039	HUB, BRUSH DRIVE 20"	1

REF	PART #	DESCRIPTION	QTY.
14	200101017	NUT, M8X1.25 HEXJAM	2
15	08709	NUT, M8 HEXLOCK	2
16	630446	WASHER, .318 NYLON	4
17	579184	WHEEL, 2"X7/8" RUBBER	2
18	630430	SCREW, M8X1.25X50	2
19	200370019	WASHER, M8.4 LOCK	2
20	611691	SHROUD, WATER DEFLECTOR	1
21	602044000	FASTENER, ADJUSTING	1
22	606883	BAND, SS	1
23	059650308	SCREW, 3/8-16X1 HXHDCP	4
24	140028	WASHER, 3/8 FLAT	4
25	140017	WASHER, 3/8 LOCK	4
26	069760023	WASHER, .77X1.26X.03 FLAT	2
27	140015	WASHER, 5/16 LOCK	1
28	069764631	WASHER, M8.4X25.4X4.8 FLAT	1
29	140219	SCREW, 5/16-18X1	1

▽ ASSEMBLY

▲ INCLUDED IN ASSEMBLY

● RECOMMENDED STOCK ITEMS



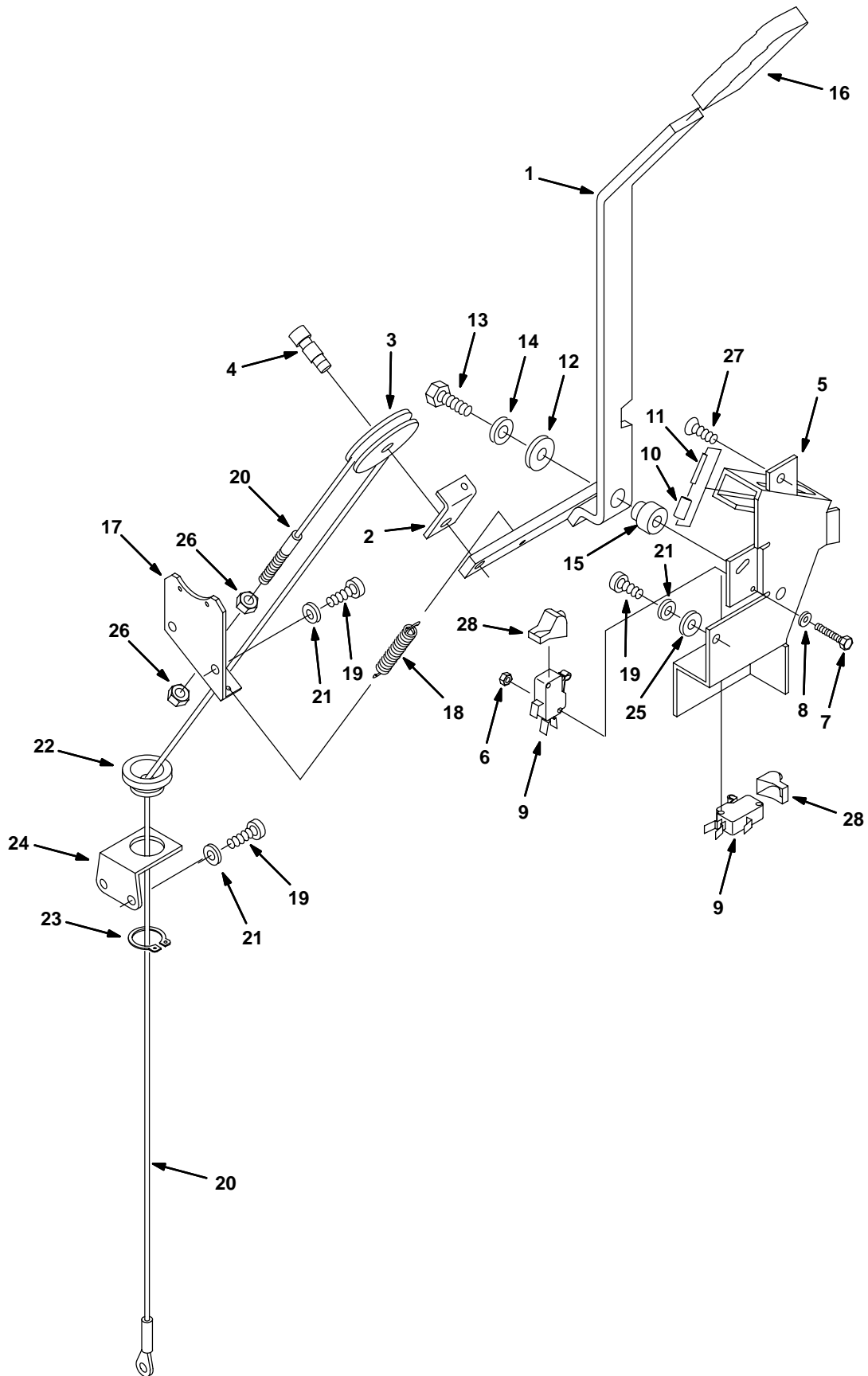
## SCRUB BRUSH DOWN PRESSURE GROUP

REF	PART #	DESCRIPTION	QTY.
1	069764140	SCREW, M5X.8X16 FLTPHL	2
2	630197	BRACKET, DOWN PRESSURE	1
3	630234	LABEL, DOWN PRESSURE	1
4	630482	BEARING, FLANGE	1
5	363503	SCREW, M6X1.0X12	1
6	578244000	WASHER, M6.4 LOCK	1
7	630195	KNOB, 1/2-13X2-1/8 TEE STYLE	1
8	630358	WASHER, .75X1X.03 NYLON	1
9	630355	COLLAR, 19.0 ID X 31.8 OD	1
10	630382	PIN, SPRING .16DIA X 1.25	1
11	612776	ROD-END, SHOCK	1
12	630357	PIN, CLEVIS	1

REF	PART #	DESCRIPTION	QTY.
13	200315016	WASHER, M5.3 FLAT	2
14	140018	WASHER, #10 LOCK	4
15	575569000	SCREW, M5X16 PANPHL	4
16	630354	COUPLER, DOWN-PRESS. SHOCK	1
17	612060	●SHOCK, DOWN PRESSURE	1
18	39005	PIN, COTTER	1
19	200370019	WASHER, M8.4 LOCK	2
20	09010	SCREW, M8X1.25X25	2
21	630356	BRACKET, DOWN PRESSURE STOP	1
22	611378	SPACER, SHOCK	1

- RECOMMENDED STOCK ITEMS

SQUEEGEE LIFT GROUP



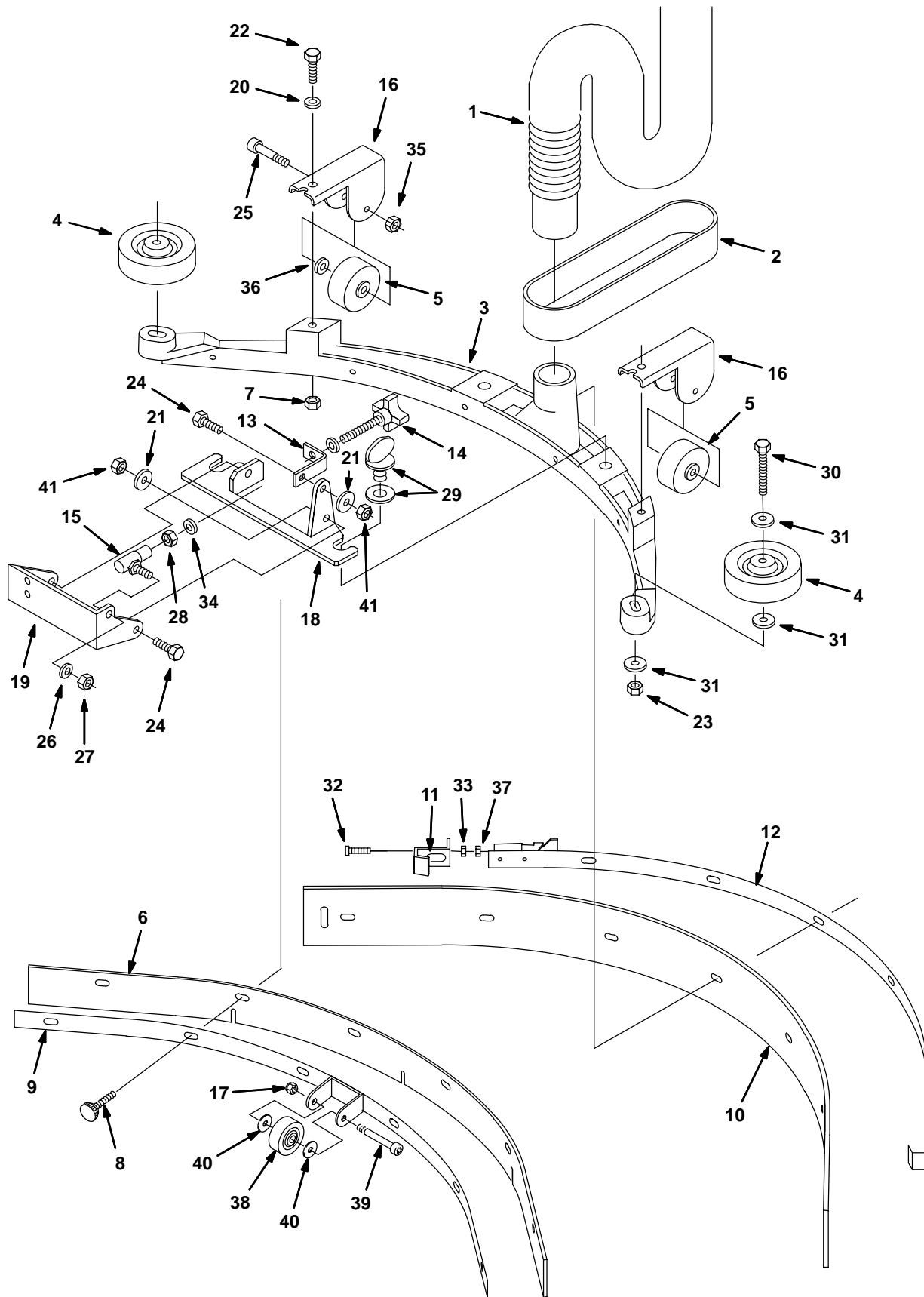
## SQUEEGEE LIFT GROUP

REF	PART #	DESCRIPTION	QTY.
1	630151	ARM, SQUEEGEE LIFT	1
2	630427	BRACKET, SQUEEGEE SHEAVE	1
3	630426	PULLEY, CABLE DIA. 2"X 3/16"	1
4	630470	SCREW, 5/16X3/8X1 SHOULDER	1
5	630150	BRACKET, SQUEEGEE LIFT ARM	1
6	579211	NUT, M3 HEXLOCK	4
7	579213	SCREW, M3X.5X20 HXHDCP	4
8	601127000	WASHER, M3.7 FLAT	4
9	611006	●KIT, SWITCH REPLACEMENT	2
10	630207	BUSHING, SQ. LIFT BRACKET	1
11	630262	PIN, ROLL	1
12	6306.4	WASHER, 1/4WD FLAT	1
13	200031496	SCREW, M8X1.25X35	1
14	200370019	WASHER, M8.4 LOCK	1

REF	PART #	DESCRIPTION	QTY.
15	630160	BUSHING, ARM PIVOT	1
16	630209	GRIP, SQUEEGEE LIFT	1
17	630155	BRACKET, SQUEEGEE CABLE	1
18	630158	SPRING, EXT	1
19	608322	SCREW, M6X1.0X16 TRSPHL	5
20	630156	CABLE, SQUEEGEE LIFT 28"	1
21	578244000	WASHER, M6.4 LOCK	5
22	621235	BUSHING, CABLE	1
23	621236000	RING, RETAINING .810 DIA	1
24	630157	BRACKET, CABLE GUIDE	1
25	140000	WASHER, 1/4 FLAT	1
26	32520	NUT, 1/4-20 HEXJAM	2
27	069762098	SCREW, M6X1.0X16 FLTPHL	1
28	600372	BOOT, LIMIT SWITCH	2

## ● RECOMMENDED STOCK ITEMS

SQUEEGEE GROUP



## SQUEEGEE GROUP

REF	PART #	DESCRIPTION	QTY.
▽	610989	ASM, SQUEEGEE LINATEX	1
1	630339	●HOSE ASM, SQUEEGEE	1
2	630333	STRAP, SQUEEGEE HOSE	1
▲	630311	SQUEEGEE, CURVED	1
▲	630450	WHEEL, 3"X7/8" RUBBER	2
▲	579184	●WHEEL, 2"X7/8" RUBBER	2
▲	610148	●BLADE, SQ. FRONT LINATEX	1
	610147	●BLADE, SQ. FRONT GUM	1
	610149	●BLADE, SQ. FRONT URETHANE	1
	QUARRY TILE BLADES		
	630288	●BLADE, SQ. FRONT LINATEX	1
	630291	●BLADE, SQ. FRONT GUM	1
	600207	●BLADE, SQ. FRONT URETHANE	1
▲	07786	NUT, M8 HEX	2
▲	603012	KNOB, SQUEEGEE FRONT	6
▲	610257	BAND, SQUEEGEE	1
▲	610150	●BLADE, SQ. REAR LINATEX	1
	630344	●BLADE, SQ. REAR GUM	1
	610691	●BLADE, SQ. REAR URETHANE	1
▲	610850	CLIP, BAND FULL CURVE	1
▲	630350	BAND ASM, SQUEEGEE CURVED	1
13	630279	BRACKET, TIP ADJUST PIVOT	1
14	630281	KNOB, SQUEEGEE TIP ADJUST	1
15	140119	JOINT, BALL – LIFT ROD	1
▲	630314	BRACKET, SQ. BACKUP WHEEL	2

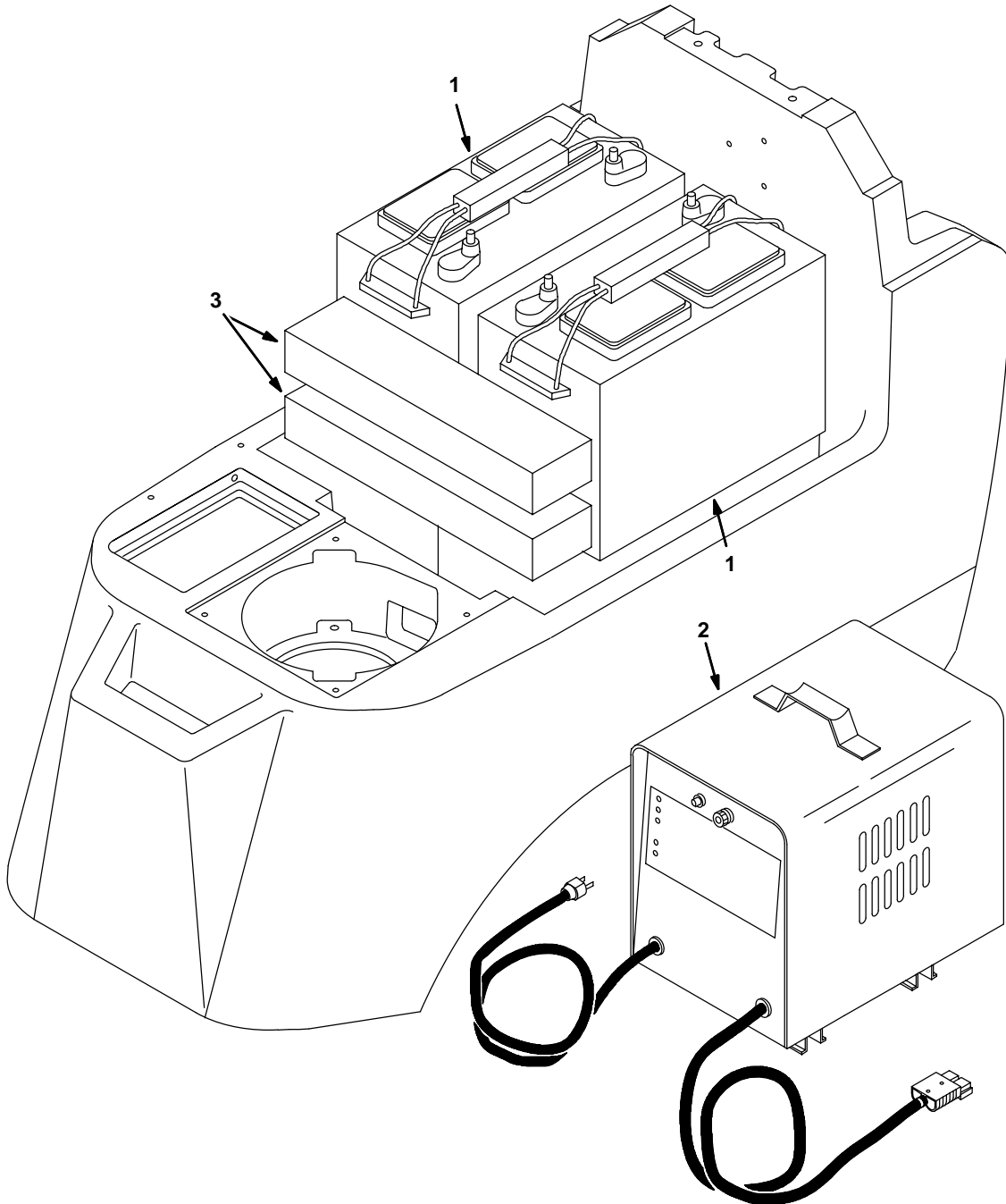
▽ ASSEMBLY

▲ INCLUDED IN ASSEMBLY

● RECOMMENDED STOCK ITEMS

REF	PART #	DESCRIPTION	QTY.	
▲	17	601108000	NUT, 5/16–18 HEXLOCK	1
18	630277	BRACKET, SQUEEGEE ATTACH	1	
19	630278	BRACKET, TIP ADJUST	1	
▲	20	200370019	WASHER, M8.4 LOCK	2
21	200303019	WASHER, M8.4 FLAT	3	
▲	22	200031494	SCREW, M8X1.25X30	2
▲	23	08709	NUT, M8 HEXLOCK	2
24	200031488	SCREW, M8X1.25X20 HXHDCP	3	
▲	25	630480	SCREW, 5/16DIAX1–1/4 SHOULDER	2
26	140015	WASHER, 5/16 LOCK	1	
27	140508	NUT, 5/16–24 HEX	1	
28	630388	NUT, 5/16–24 HEXLOCK	1	
▲	29	630393	●SCREW, THUMB & WASHER ASM	2
▲	30	630424	SCREW, M8X1.25X70 PANPHL	2
▲	31	630303	WASHER, M8.4X25.4X2.0 FLAT	6
▲	32	630389	SCREW, 7/8X45	1
▲	33	09739	NUT, M5X.8 NYLOCK	1
34	630446	WASHER, .318 NYLON	2	
▲	35	41169	NUT, 1/4–20 NYLOCK	2
▲	36	200651019	WASHER, M8.4 FLAT	2
▲	37	140297	NUT, M5X.8 HEX	1
▲	38	630477	●WHEEL, 2"X.38" POLYURETHANE	1
▲	39	600187	SCREW, 3/8DIAX1/4 SHOULDER	1
▲	40	140028	WASHER, 3/8 FLAT	2
41	08709	NUT, M8 HEXLOCK	3	

**BATTERY AND CHARGER GROUP**

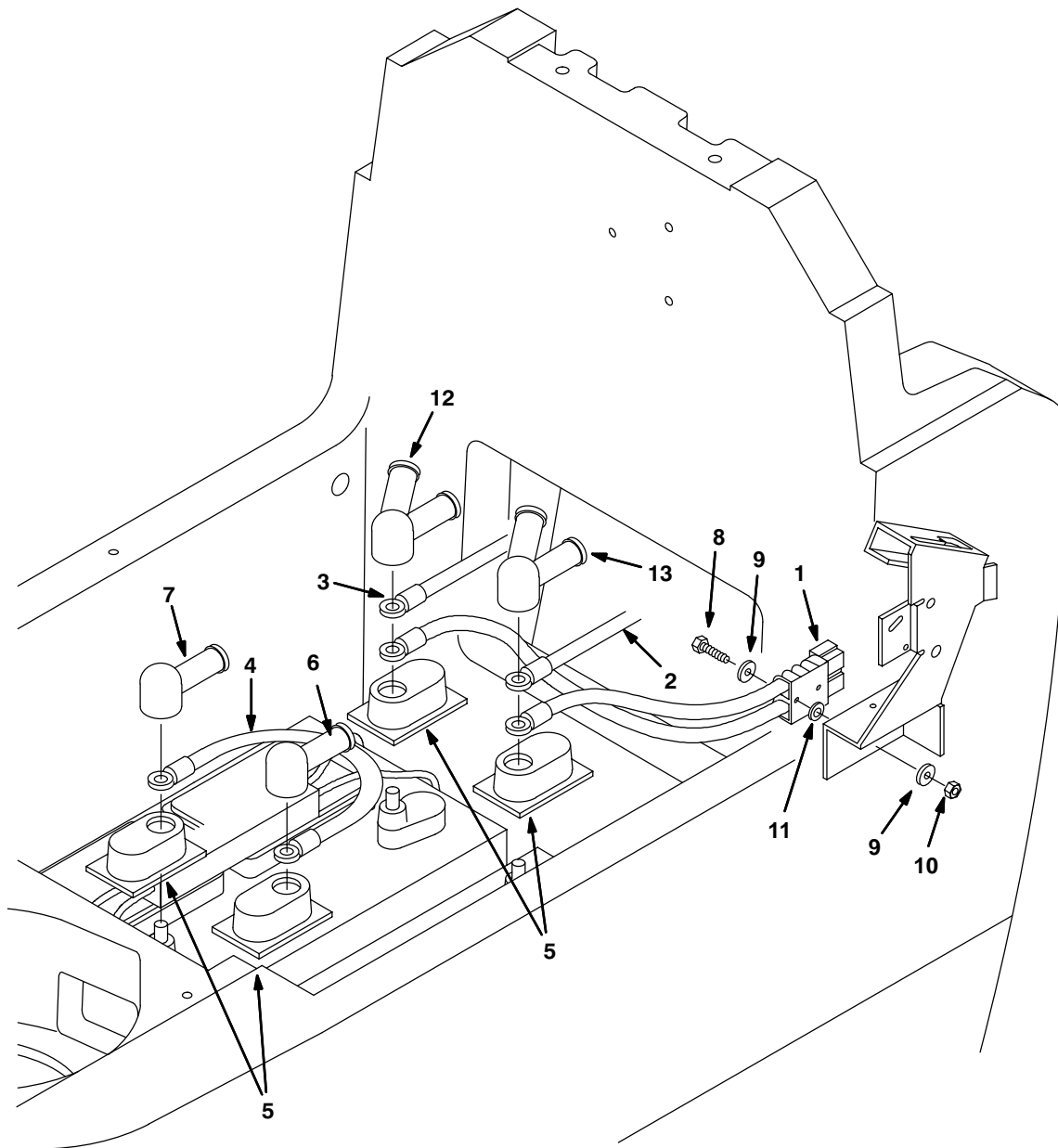


REF	PART #	DESCRIPTION	QTY.
1	130869	●BATTERY, 12V 130AH (WET)	2
	600594	BATTERY, 12V 130AH (DAMP)	2
	600394	BATTERY, 12V 215AH (WET)	2
	600595	BATTERY, 12V 215 AH (DAMP)	2

REF	PART #	DESCRIPTION	QTY.
2	603553	●CHARGER 24DC/12A 120V DUAL-MODE (FOR 130AH BATTERIES)	1
	603235	CHARGER, 24DC/20A/120AC (FOR 215AH BATTERIES)	1
3	630375	STOP, BATTERY INSERT	2

● RECOMMENDED STOCK ITEMS

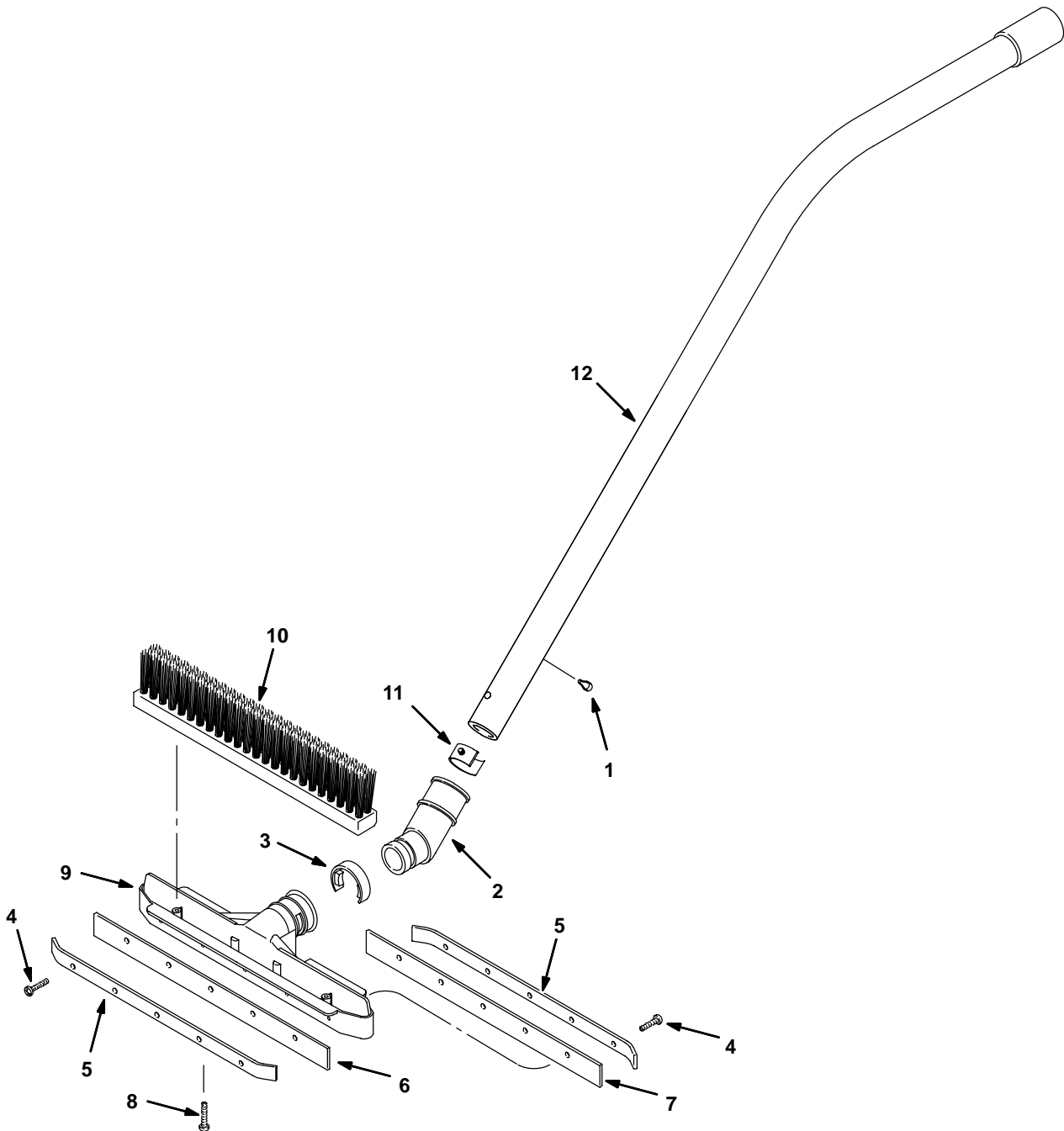
## BATTERY CABLE GROUP



REF	PART #	DESCRIPTION	QTY.
1	630118	CABLE, BATTERY, W/CHARGE PLUG, RED	1
2	630110	CABLE, BATTERY, 4GA, RED	1
3	630111	CABLE, BATTERY, 4GA, BLK	1
4	603061	CABLE, BATTERY, 6GA, RED	1
5	45962	COVER, TERMINAL	4
6	611221	BOOT, CABLE, BATTERY TERMINAL, BLACK	1
7	611222	BOOT, CABLE, BATTERY TERMINAL, RED	1

REF	PART #	DESCRIPTION	QTY.
8	200051274	SCREW, M3X.5X30 FILSLT	2
9	601127000	WASHER, M3.7 FLAT	4
10	579211	NUT, M3 HEXLOCK	2
11	140019	WASHER, #6 LOCK	2
12	606011	BOOT, INSULATING CABLE, RED	1
13	606010	BOOT, INSULATING CABLE, BLACK	1

NON-POWER WAND ASSEMBLY



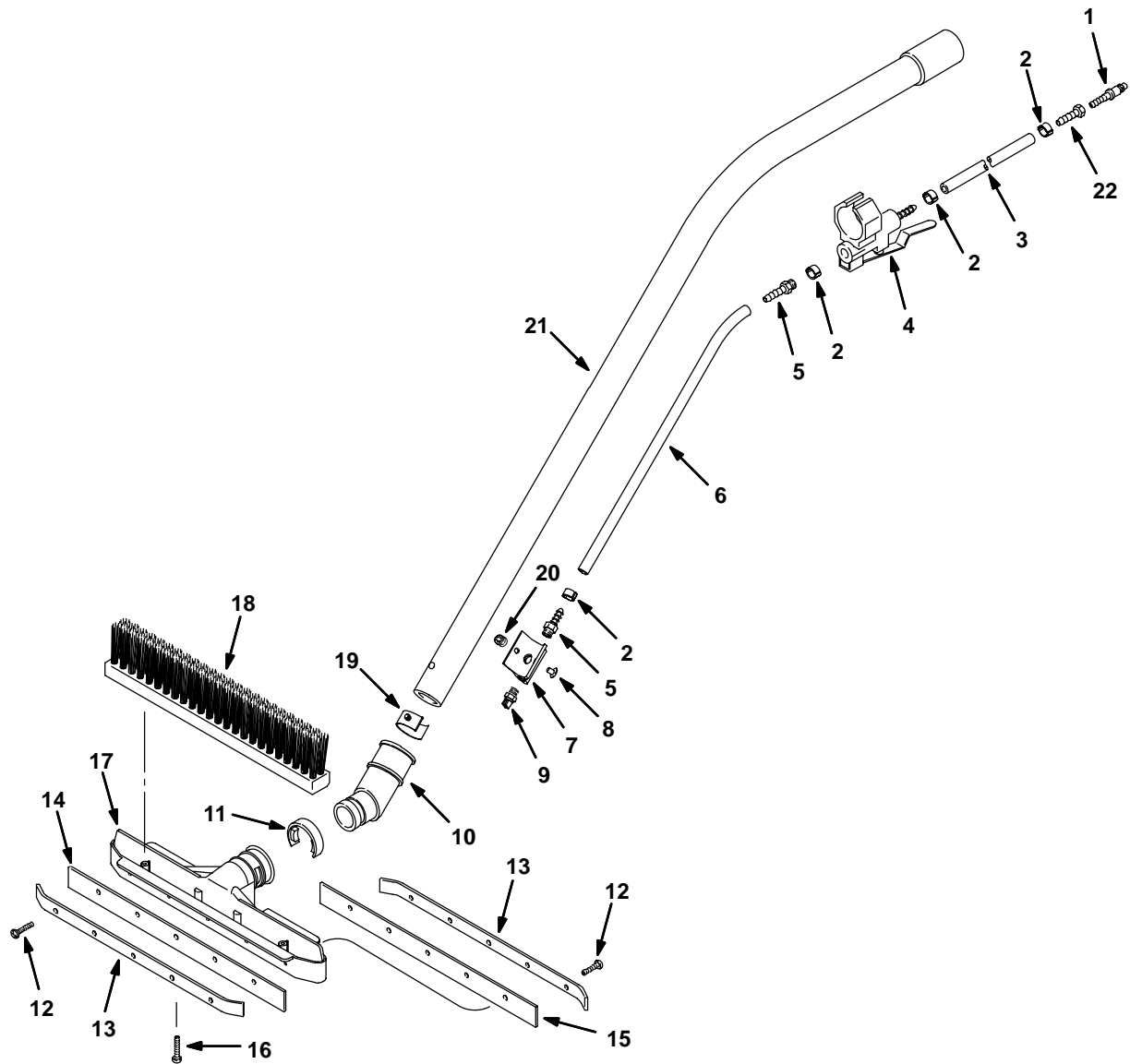
REF	PART #	DESCRIPTION	QTY.
▽	630732	WAND ASM., NON-POWER	1
▲	630269	BUMPER, MUSHROOM	2
▲	579113	SWIVEL, WAND ATTACHMENT	1
▲	579132	RING, ATTACHMENT	1
▲	579135	SCREW, SELF TD UNITED	10
▲	579103	RETAINER, WAND BLADE	2

REF	PART #	DESCRIPTION	QTY.
▲	579239	SQUEEGEE, BLADE, FRONT WAND	1
▲	579230	SQUEEGEE, BLADE, REAR WAND	1
▲	579147	SCREW, SELF-TAP, #6X1.5"	2
▲	579101	HEAD, WAND	1
▲	579102	BRUSH, WAND (TWO ROW)	1
▲	579187	CLIP, SPRING	1
▲	579109	WAND, SINGLE BEND	1

▽ ASSEMBLY

▲ INCLUDED IN ASSEMBLY

POWER WAND ASSEMBLY



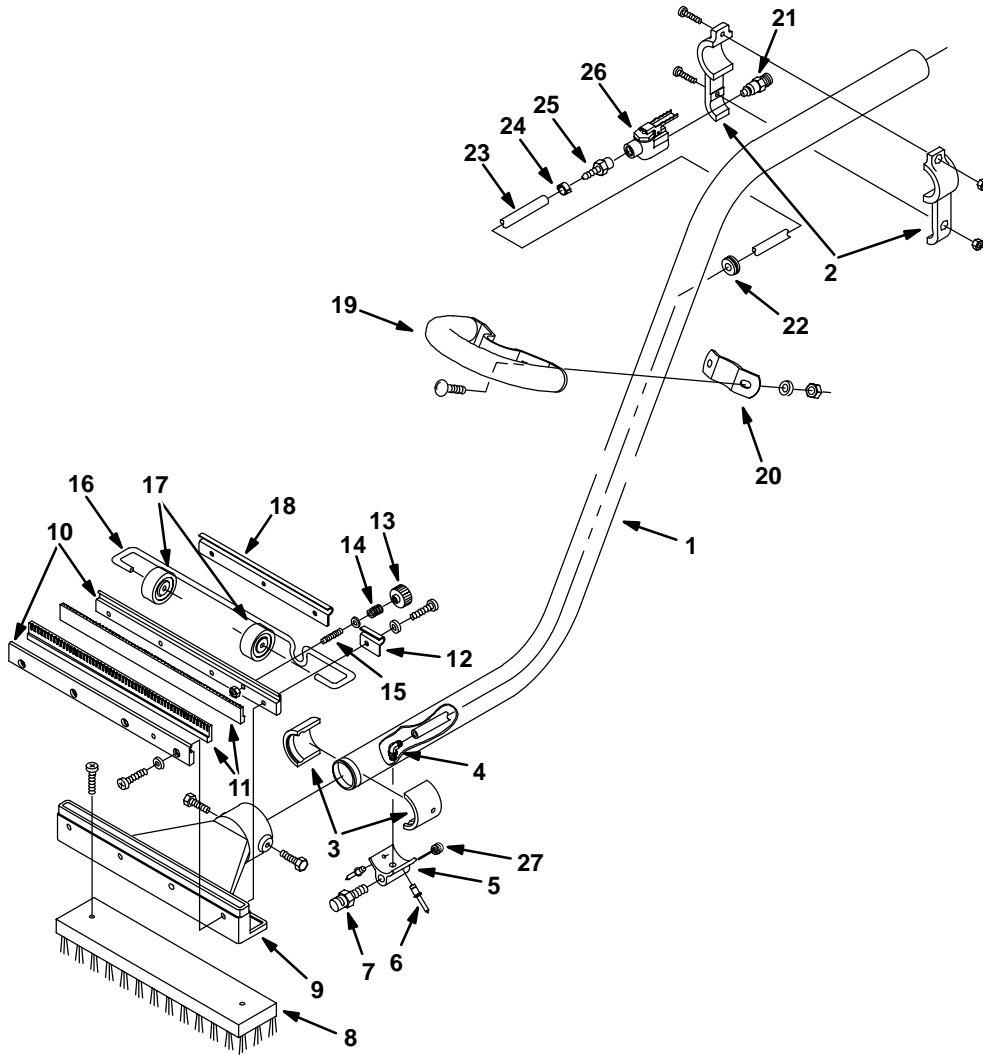
REF	PART #	DESCRIPTION	QTY.
▽	579908	WAND ASM, POWER	1
▲ 1	578091000	PLUG, QUICK CONNECT	1
▲ 2	578160000	CLAMP, HOSE	4
▲ 3	613536	HOSE, RELIEF	1
▲ 4	579107	VALVE, WATER CONT.	1
▲ 5	150525	HOSE BARB, 1/8" M X 1/4" H	2
▲ 6	613537	HOSE, WAND WATER FEED	1
▲ 7	579112	ADAPTOR, SPRAY NOZZLE	1
▲ 8	579198	RIVET, POP	2
▲ 9	579137	SPRAY NOZZLE	1
▲ 10	579113	SWIVEL, WAND ATTACHMENT	1

REF	PART #	DESCRIPTION	QTY.
▲ 11	579132	RING, ATTACHMENT	1
▲ 12	579135	SCREW, SELF TD UNITED	10
▲ 13	579103	RETAINER, WAND BLADE	2
▲ 14	579239	SQUEEGEE, BLADE, FRONT WAND	1
▲ 15	579230	SQUEEGEE, BLADE, REAR WAND	1
▲ 16	579147	SCREW, SELF-TAP, #6X1.5"	2
▲ 17	579101	HEAD, WAND	1
▲ 18	579102	BRUSH, WAND (TWO ROW)	1
▲ 19	579187	CLIP, SPRING	1
▲ 20	150208	PLUG, SCKT HD 1/8"	1
▲ 21	579109	WAND, SINGLE BEND 31.8	1
▲ 22	150510	FITTING, 1/4F X 1/4H BARB	1

▽ ASSEMBLY

▲ INCLUDED IN ASSEMBLY

DELUXE POWER WAND ASSEMBLY



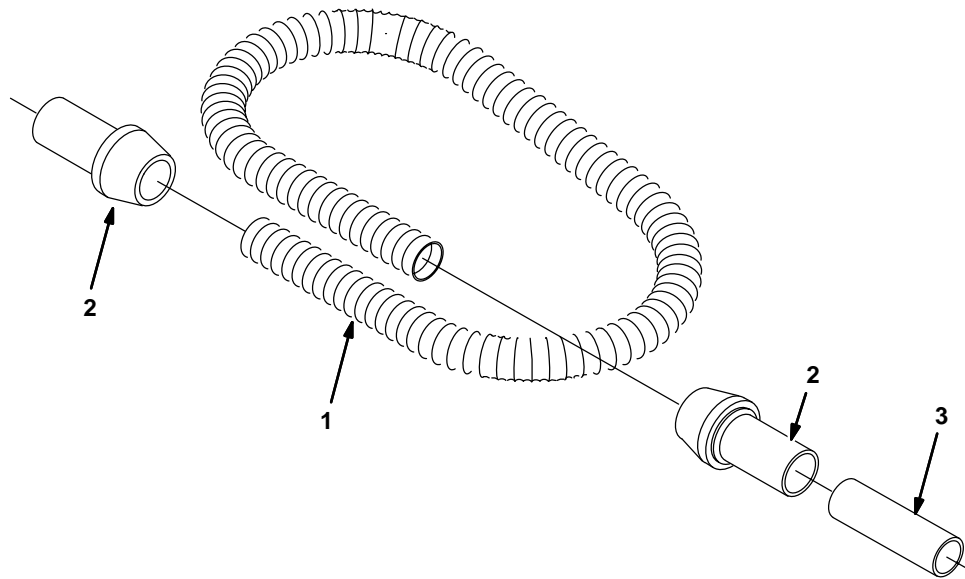
REF	PART #	DESCRIPTION	QTY.
▽	578905000	WAND ASM, DELUXE-POWER	1
▲ 1	578060000	WAND, DOUBLE BEND	1
▲ 2	578077000	BRACKET, VALVE MOUNTING, WAND	1
▲ 3	578061000	ADAPTER, HEAD/WAND	2
▲ 4	578214000	FITTING, ELBOW, 0.25"HOSE, 0.12"NPT	1
▲ 5	579112	ADAPTER, SPRAY NOZZLE	1
▲ 6	579198	RIVET, POP, .156, .312, .384	2
▲ 7	578066000	SPRAY NOZZLE, .125" NPT, 75 DEG.	1
▲ 8	578073000	BRUSH, DECK, POLYPRO BLOCK	1
▲ 9	578063000	HEAD, WAND	1
▲ 10	578078000	RETAINER, SQUEEGEE WAND	2
▲ 11	578074000	BLADE, SQUEEGEE WAND	2
▲ 12	578124000	BRACKET, AXLE	1

REF	PART #	DESCRIPTION	QTY.
▲ 13	578439	NUT, THUMB	1
▲ 14	578228000	SPRING, COMPRESSION	1
▲ 15	578143000	M6, 40MM LG., ADJUST. STUD	1
▲ 16	578126000	AXLE, WAND	1
▲ 17	578125000	WHEEL, GUIDE, WAND	2
▲ 18	578123000	BRACKET, AXLE	1
▲ 19	578155000	HANDLE, WAND	1
▲ 20	578154000	BRACKET, HANDLE, WAND	1
▲ 21	578091000	PLUG, MALE QUICK-CONN	1
▲ 22	578164000	GROMMET	1
▲ 23	578821000	HOSE, SOLUTION, WAND	1
▲ 24	578161000	CLAMP, HOSE	1
▲ 25	578094000	1/4 HOSEBARB, 1/4NPT MALE PIPE	1
▲ 26	578064000	VALVE, WATER CONTROL, WAND	1
▲ 27	150208	PLUG, SCKT HD 1/8"	1

▽ ASSEMBLY

▲ INCLUDED IN ASSEMBLY

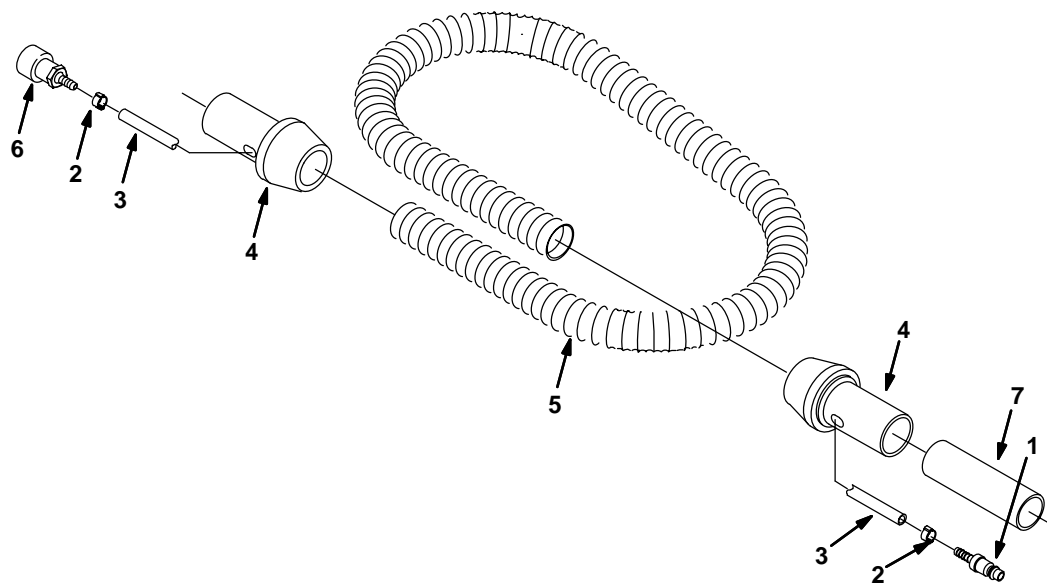
NON-POWER WAND HOSE ASSEMBLY



REF	PART #	DESCRIPTION	QTY.	
∇	630739	HOSE ASM., NON-POWER WAND	1	
▲	1	578276000	HOSE, VACUUM 1-1/2 X 10' GRAY	1

REF	PART #	DESCRIPTION	QTY.	
▲	2	630449	CUFF, HOSE SOFT DIA 38.1M	2
▲	3	231031	SLEEVE, 1-1/2"DIA X 5"LG	1

POWER WAND HOSE ASSEMBLY



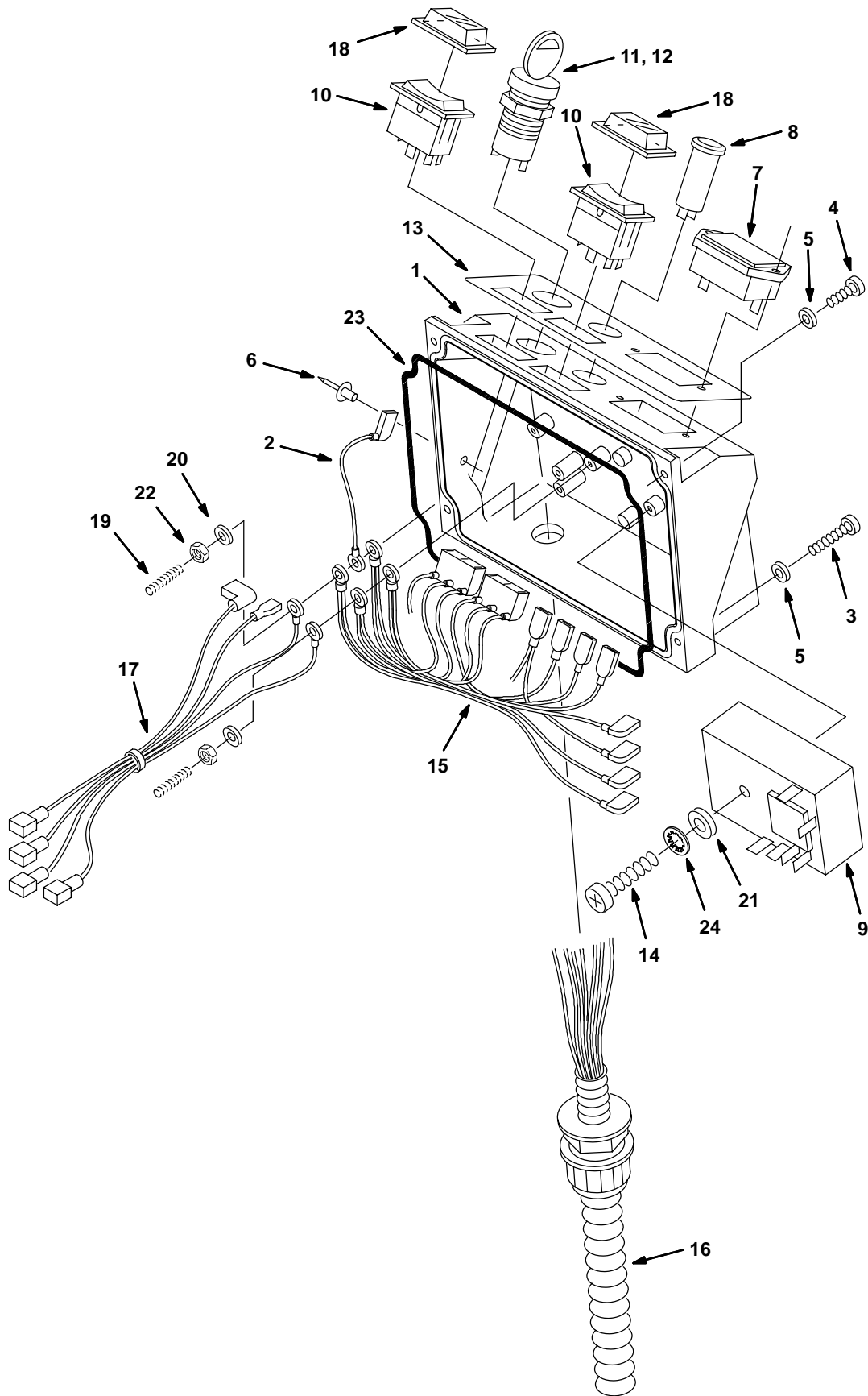
REF	PART #	DESCRIPTION	QTY.	
∇	578903000	HOSE ASM., POWER WAND	1	
▲	1	578318000	FITTING, QUICK CONCT MALE	1
▲	2	140325	CLAMP, HOSE 1/2"	2
▲	3	578820000	HOSE, .25ID, .44OD, 4.0M LG	1

REF	PART #	DESCRIPTION	QTY.	
▲	4	578072000	CUFF, SWIVEL, 1-1/2	2
▲	5	578276000	HOSE, VACUUM, 1-1/2 X 10' GRAY	1
▲	6	578071000	CONNECTOR, QUICK CONCT FEMALE	1
▲	7	231031	SLEEVE, 1-1/2"DIA X 5"LG	1

∇ ASSEMBLY

▲ INCLUDED IN ASSEMBLY

ACCESSORY CONSOLE GROUP

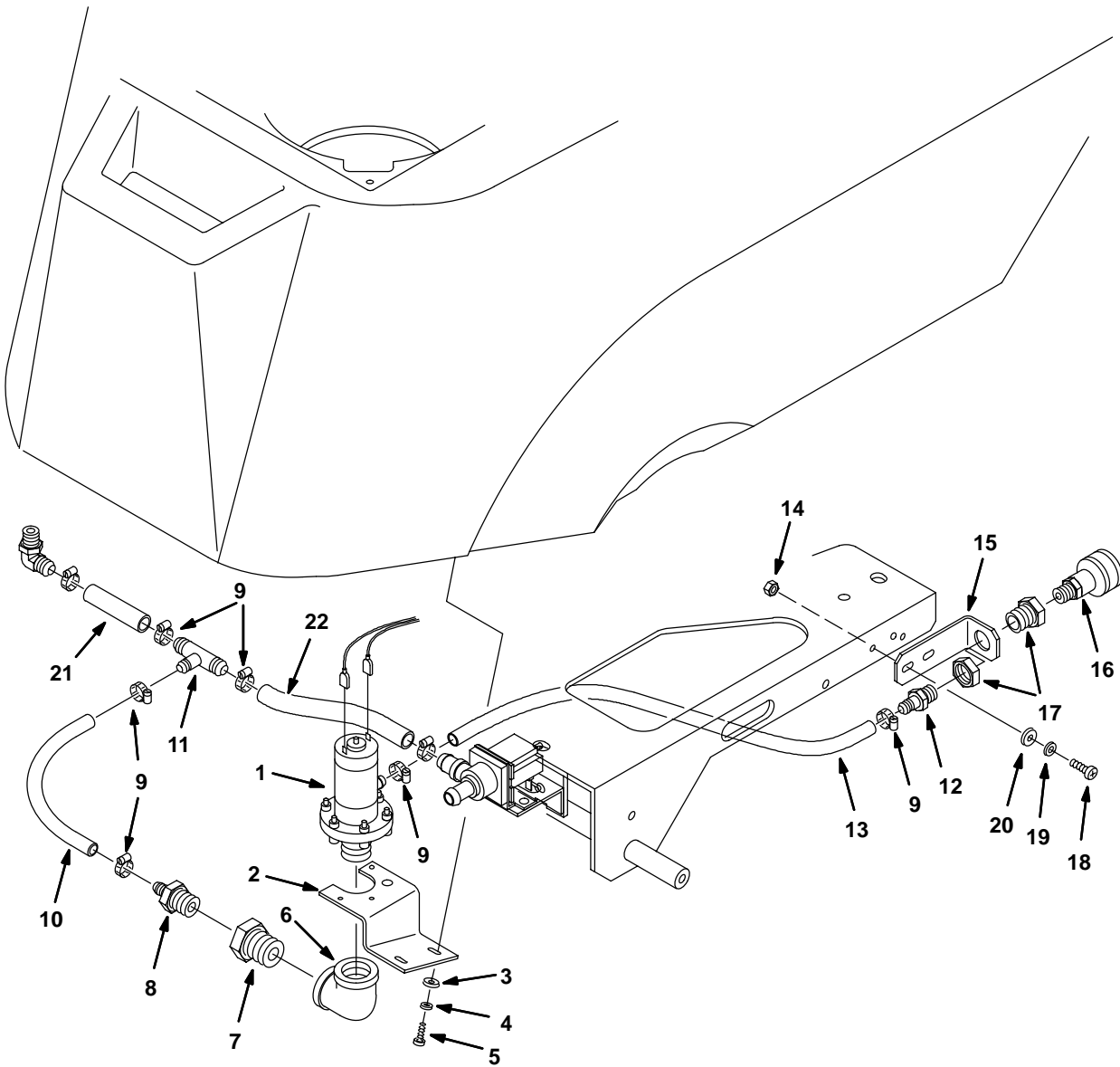


**ACCESSORY CONSOLE GROUP**

REF	PART #	DESCRIPTION	QTY.
	607486	KIT, KEY SWITCH/HOUR METER	1
	607487	KIT, ES <sup>™</sup> /KEY SWITCH/HOUR METER	1
	607488	KIT, ES <sup>™</sup> /KEY SWITCH/HOUR METER/WAND PUMP	1
	607489	KIT, WAND PUMP	1
	607490	KIT, KEY SWITCH/HOUR METER/WAND PUMP	1
1	630140	CONSOLE, 20" SCRUBBER	1
2	630331	WIRE ASSY, KEY SWITCH	1
3	200070354	SCREW, M4X30	2
4	140287	SCREW, M4X.7X16MM	2
5	140023	WASHER, LOC INT #8	4
6	578852	RIVET, SNAP 5.0MM	1
7	630143	METER, HOUR, 18-60VDC	1
8	630142	LIGHT, PILOT, 24V, BLUE	1
9	630145	TIMER, 24VDC, RANGE: 30SEC	1
10	630419	SWITCH, ROCKER, SPST, 24VDC GRN	2
11	607475	SWITCH, KEYLOCK 12-AMP	1

REF	PART #	DESCRIPTION	QTY.
12	607821	KEY, REPLACEMENT, STEEL	2
13	630235	LABEL, KEY/HOUR METER	1
	630236	LABEL, ES <sup>™</sup> /KEY/HOUR METER/LIGHT	1
	630237	LABEL, ES <sup>™</sup> /KEY/HOUR/LIGHT/WAND PUMP	1
	630238	LABEL, WAND PUMP	1
	630239	LABEL, KEY/HR/WAND PUMP	1
14	630334	SCREW, S-TAP, #6	1
15	606499	HARNESS, WIRE ES OPTION	1
16	630342	HARNESS, WIRE ES	1
17	606502	HARNESS, ACCESSORY	1
18	578720	SPLASH GUARD, ROCKER SWITCH	2
19	601271	SCREW, M4X.7X25	2
20	140023	WASHER, #8 LOCK	2
21	140026	WASHER, #6 FLAT	1
22	200102014	NUT, M4 X .7 HEX	2
23	579178	O-RING, SPONGE	1
24	140018	WASHER, #10 LOCK	1

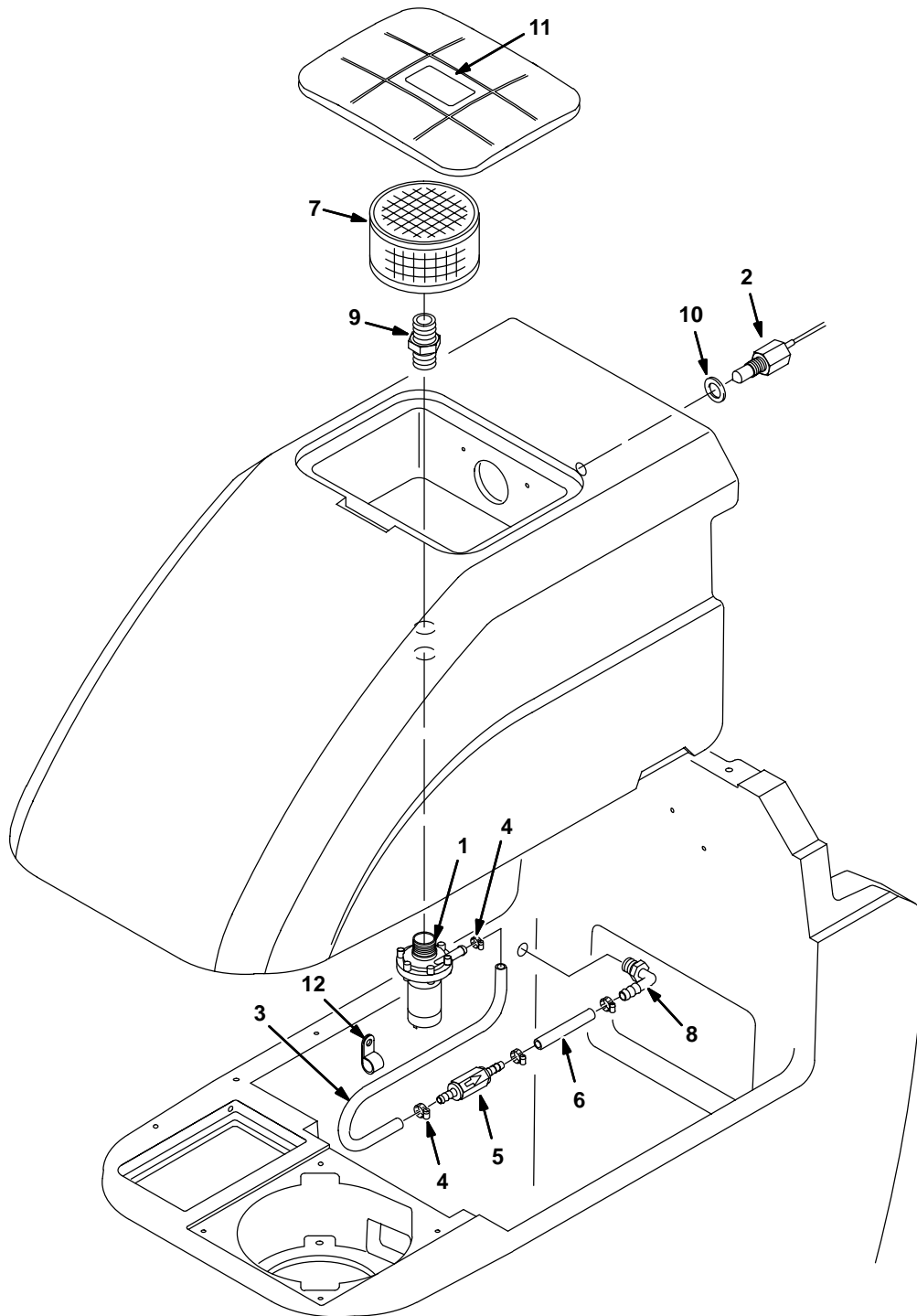
WAND PUMP PLUMBING GROUP



REF	PART #	DESCRIPTION	QTY.
1	630136	PUMP, 24VDC	1
2	630335	BRACKET, MTG, PUMP	1
3	200315016	WASHER, M5.3 FLAT	2
4	140018	WASHER, #10 LOCK	2
5	200070384	SCREW, M5X0.8X14 PANPHL	2
6	630251	FITTING, E90, .75 FORGED	1
7	630252	FITTING, BUSHING, 3/4MX3/8F	1
8	150538	HOSE BARB, 3/8MX3/8H	1
9	54333	CLAMP, HOSE 5/16-7/8	6
10	630417	HOSE, 165MM WAND PUMP	1
11	630372	FITTING, TEE	1

REF	PART #	DESCRIPTION	QTY.
12	150516	FITTING, BARB	1
13	630418	HOSE, 700MM	1
14	579029	NUT, M6X1.0	2
15	630256	BRACKET, MTG QUICK CONNECT	1
16	608292	FITTING, QUICK DISC FEMALE 3/8X1/4 NPT	1
17	150300	CONNECTOR, ANCHOR	1
18	608322	SCREW, M6X1.0X16 TRSPHL	2
19	578244000	WASHER, M6.4 LOCK	2
20	579210	WASHER, M6.4 FLAT	2
21	613511	HOSE, 1/2IDX2-1/2"	1
22	613518	HOSE, 1/2IDX8"	1

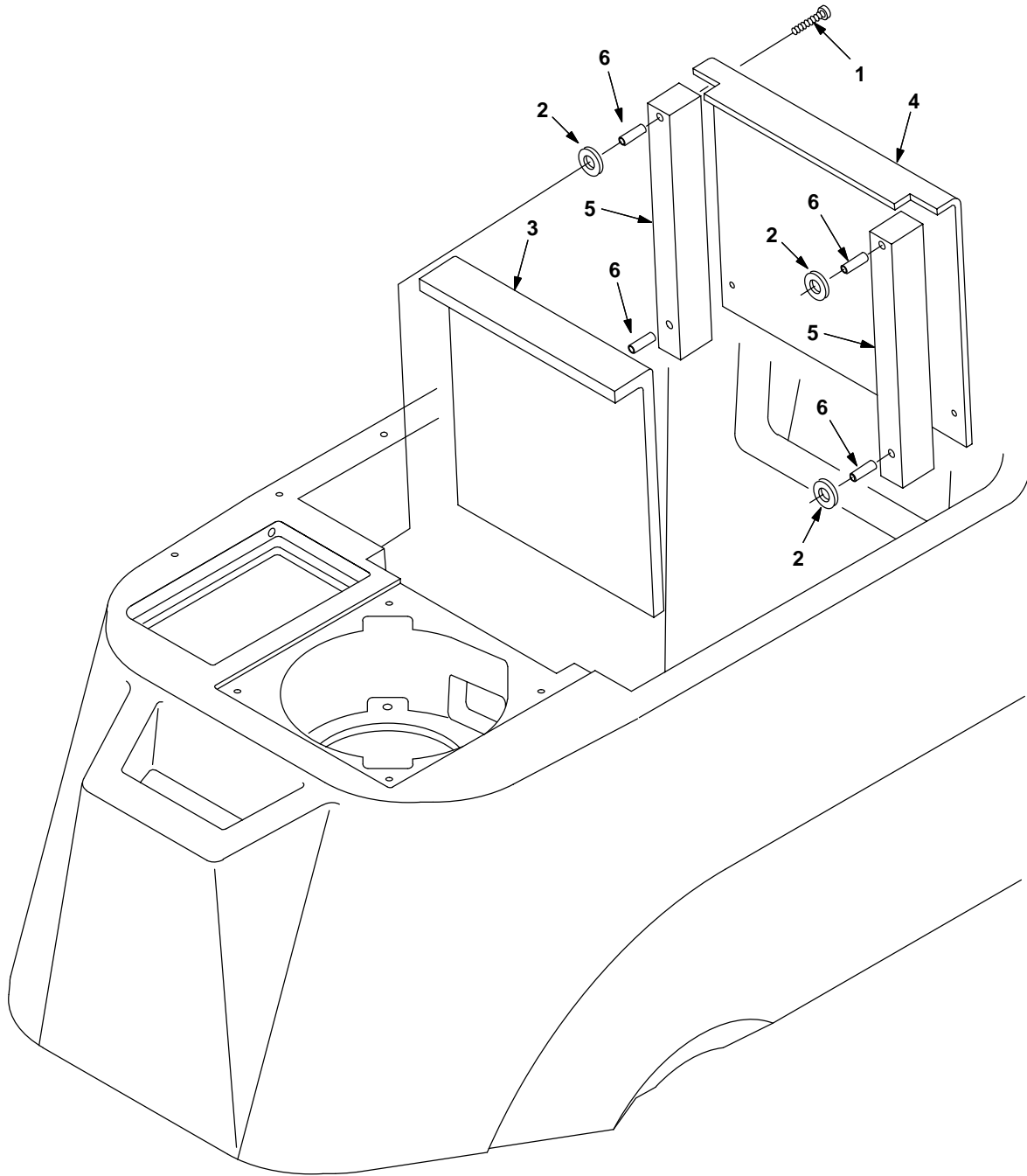
ES™ PLUMBING GROUP



REF	PART #	DESCRIPTION	QTY.
1	630136	PUMP, 24VDC	1
2	630137	SENSOR, WATER LEVEL	1
3	25160	TUBING, 5/8OD X 3/8ID X 21.75"	1
4	54333	CLAMP, HOSE 5/16-7/8	4
5	210044	VALVE, CHECK	1
6	25160	TUBING, 5/8OD X 3/8ID X 5.25"	1

REF	PART #	DESCRIPTION	QTY.
7	630138	FILTER, SCREEN	1
8	150412	FITTING, 3/8MX3/8H ELBOW	1
9	630385	FITTING, NIPPLE	1
10	630479	WASHER, NYLON	1
11	630440	LABEL, DO NOT REMOVE FILTER	1
12	140314	CLAMP, INSULATED	1

SOUND KIT



REF	PART #	DESCRIPTION	QTY.
∇	630735	KIT, SOUND LOW DB	1
▲ 1	600393	SCREW, M5 X 40MM FLTHD	4
▲ 2	200315016	WASHER, FLAT	4
▲ 3	630441	SOUND COVER, FOAM	1

REF	PART #	DESCRIPTION	QTY.
▲ 4	630395	SOUND COVER, PLATE	1
▲ 5	630397	SOUND SIDE, FOAM	2
▲ 6	630398	SPACER	4

∇ ASSEMBLY

▲ INCLUDED IN ASSEMBLY