



Electronic Service Manuals

This electronic document is provided as a service to our customers. We do not create the contents of the information contained in this document. Should you have detailed questions pertaining to the information contained in this document, you may contact Michco, or the manufacturer which provided the original information in this electronic deliverable. Michco's only part in this electronic deliverable was the electronic assembly process. By providing this manual on line we are not guaranteeing parts availability.

You may contact Michco through the following methods:

Phone (517) 484-9312 or (800) 331-3339

2011 N. High St. -- Lansing, Michigan -- 48906

Fax: (517) 484-9836

Email: CustServe@Michco.com

Web site: www.Michco.Com

Parts Web site: www.FloorMachineParts.Com

Order Parts on Line at:

www.FloorMachineParts.Com

Directly to Parts & Service:

By Email: **Shop@Michco.com**

By Fax: (517) 702-2041

By Voice: Use numbers above.

Serving the Cleaning Industry Since 1922

Notice: All copyrighted material remains property of original owners, all trademarks are property of respective owners. Manuals are subject to Manufacturer's reproduction limitations. Originals or reproductions were provided by manufacturers through a request. We make no warranty as to the correctness of information provided in this document and you assume all risk. By placing these manuals on line we are not declaring our corporation to be an manufacturer authorized dealer or provider, please check our web site for authorized manufacturers we represent.

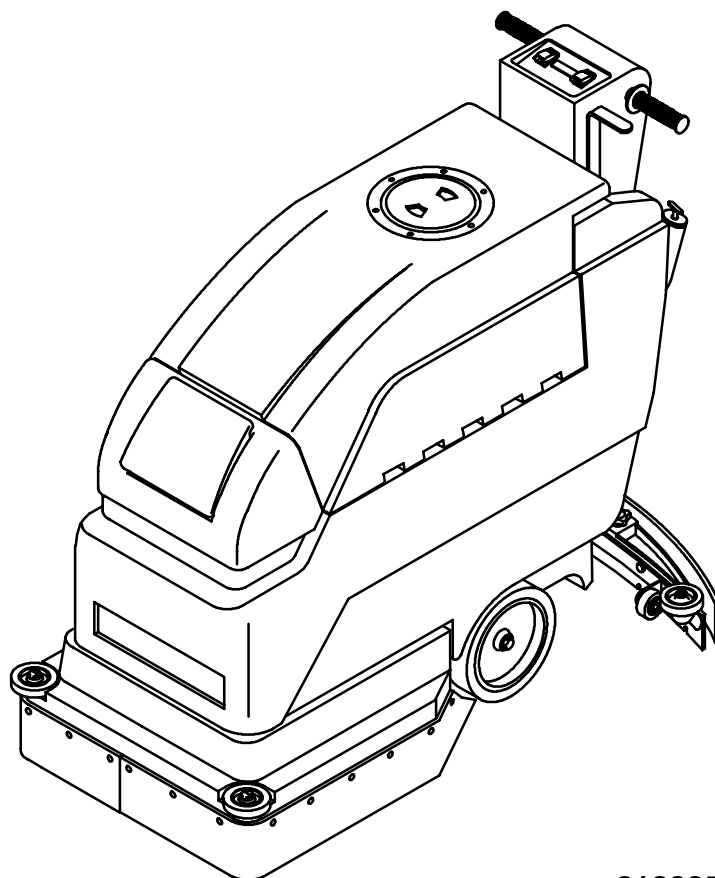


5200

Battery Automatic Scrubber
Fregadora Automática Batería

Model No.:
612950
612951 - Pac
612952 - Can. Pac

Operator and Parts Manual
Manual de Operación y de Piezas



TENNANT COMPANY
701 NORTH LILAC DRIVE
MINNEAPOLIS, MN 55422

MAILING ADDRESS:
TENNANT COMPANY
P.O. BOX 1452
MINNEAPOLIS, MN 55440-1452

CUSTOMER SERVICE:
1-800-982-7658
1-763-513-2850

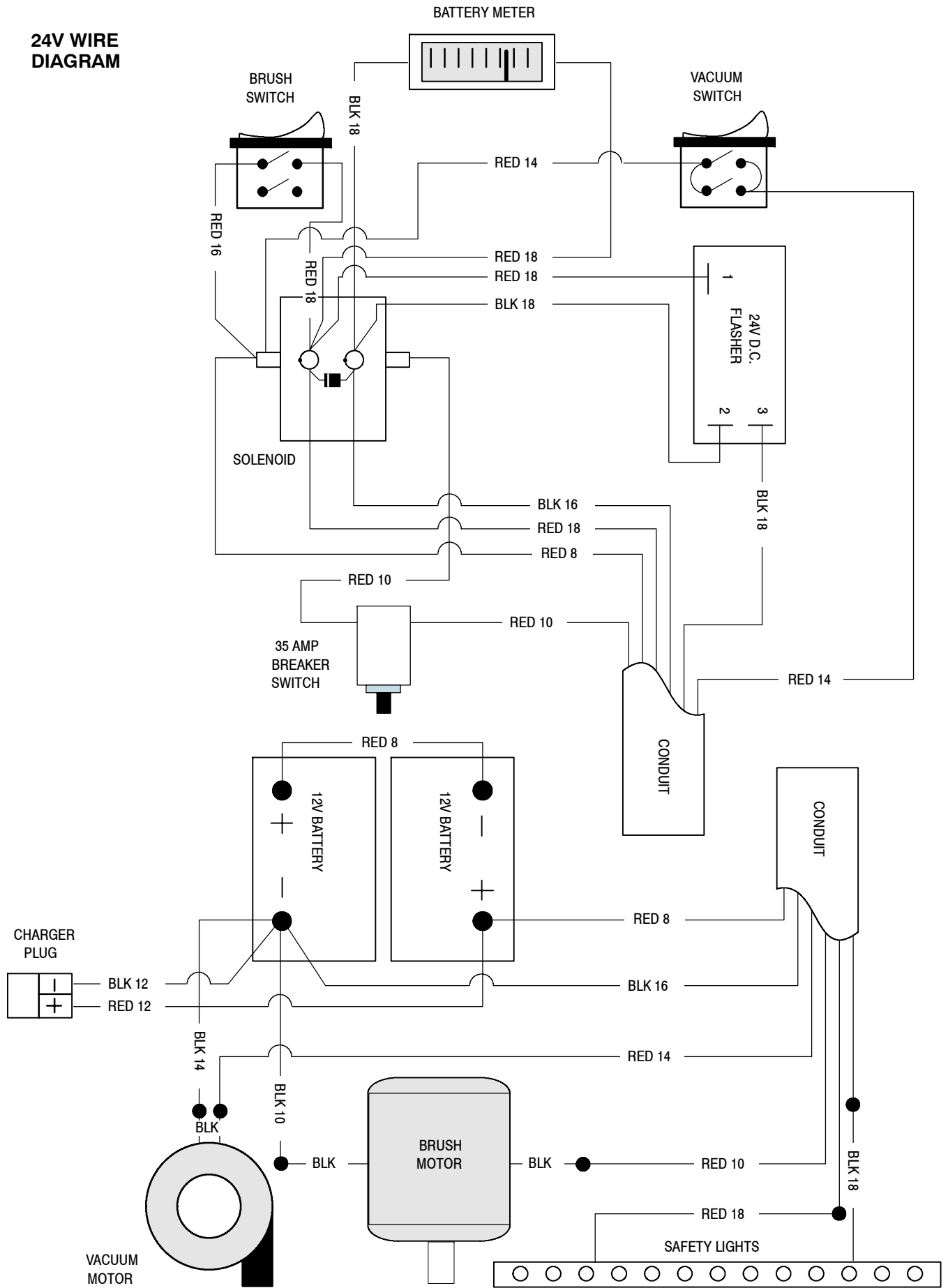
FAX: 1-800-678-4240
1-763-513-2142

TECHNICAL SUPPORT:
1-800-522-7839 EXT. 5356

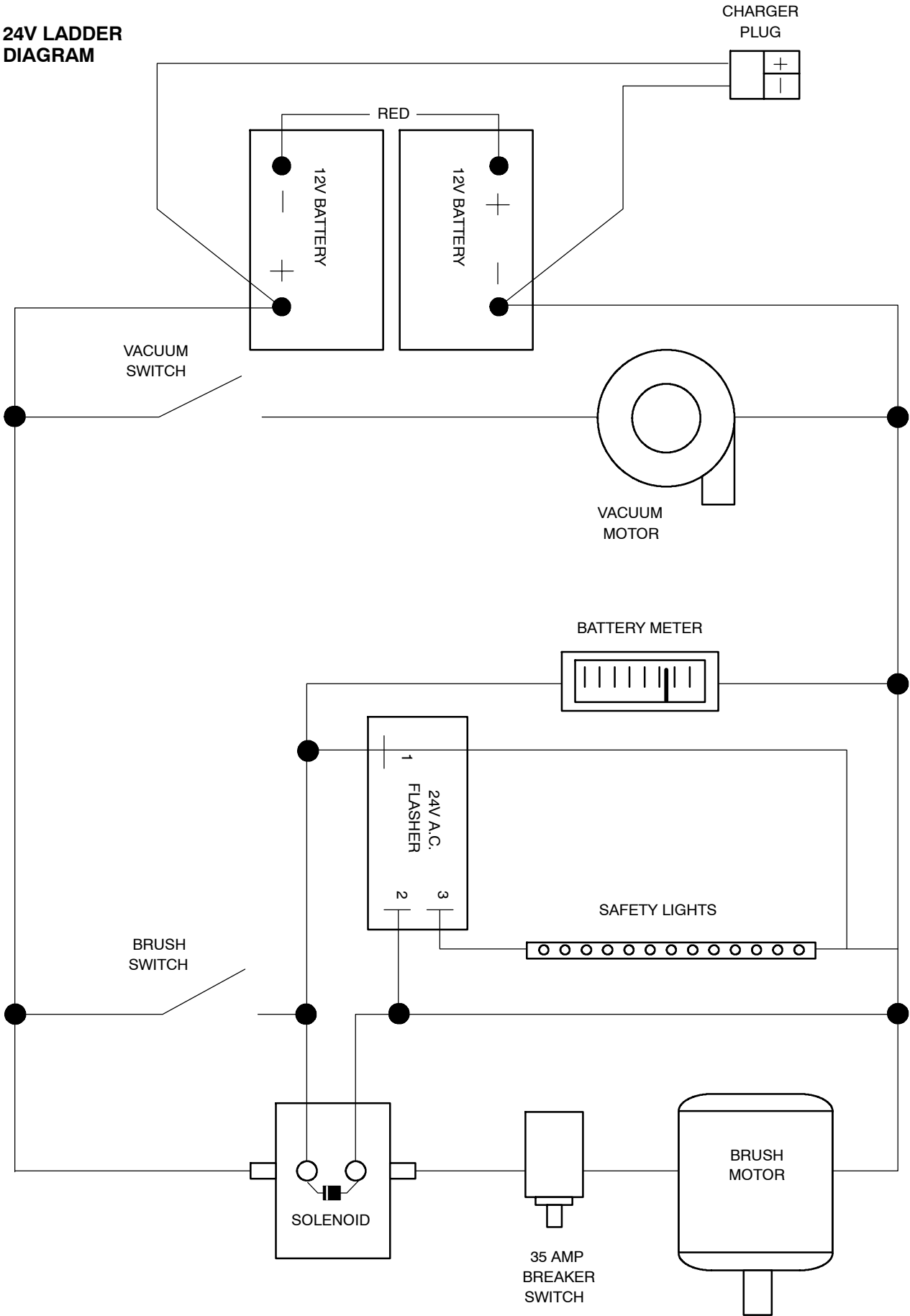
612995
Rev. 01 (04-04)

ELECTRICAL DIAGRAMS DIAGRAMAS ELECTRICAS

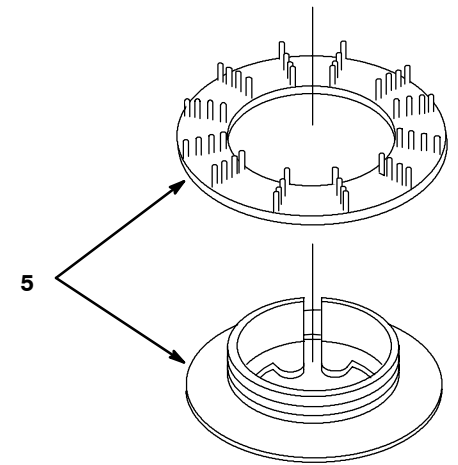
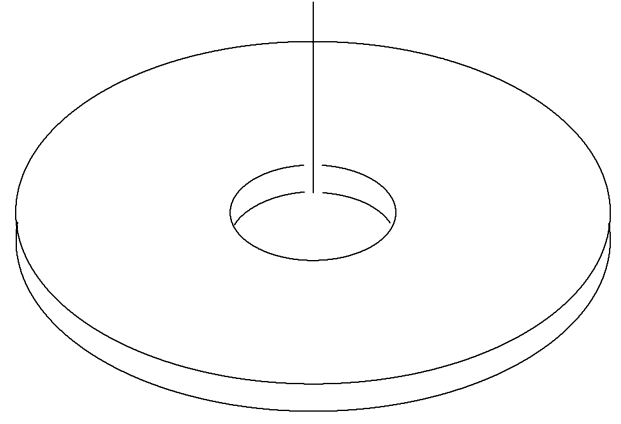
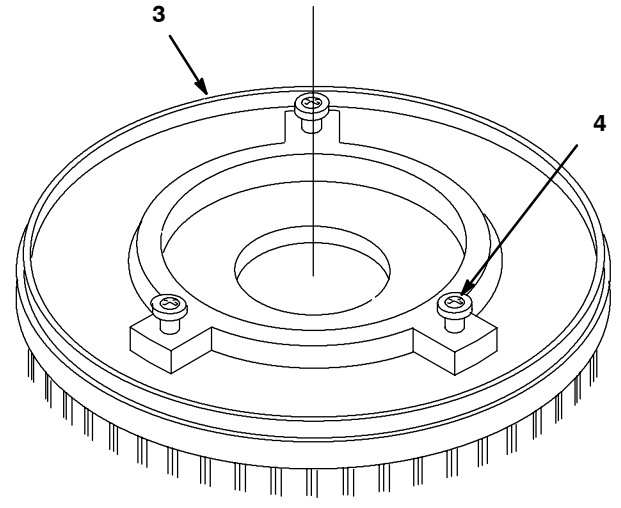
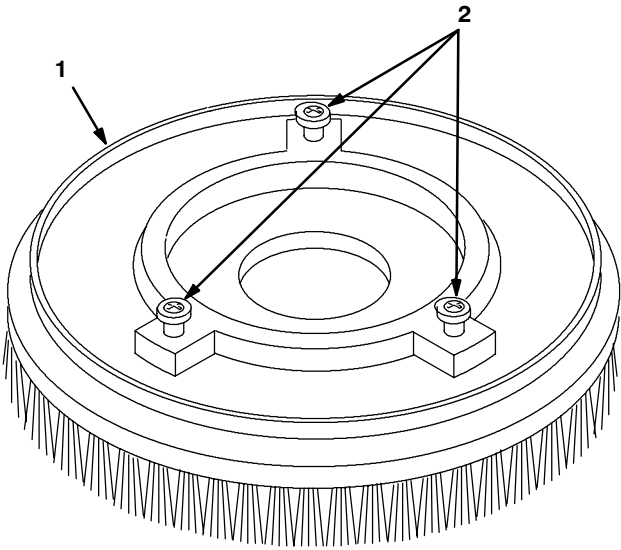
24V WIRE DIAGRAM



24V LADDER
DIAGRAM



REPLACEMENT BRUSHES AND PAD DRIVER GROUP
CEPILLO DEL REEMPLAZO Y GRUPO DEL MANDO DE LA ALMOHADILLA



REPLACEMENT BRUSHES AND PAD DRIVER GROUP
CEPILLO DEL REEMPLAZO Y GRUPO DEL MANDO DE LA ALMOHADILLA

REF	PART #	DESCRIPTION	QTY.
∇ 1	240250	●BRUSH, POLY-SCRUB	1
	240251	●BRUSH, DYNA-SCRUB	1
	240252	●BRUSH, NYLON SCRUB/STRIP	1
	240253	●BRUSH, STRATA SCRUB/STRIP	1
▲ 2	240238	●LUGS, W/ SCREWS (SET OF 3)	3

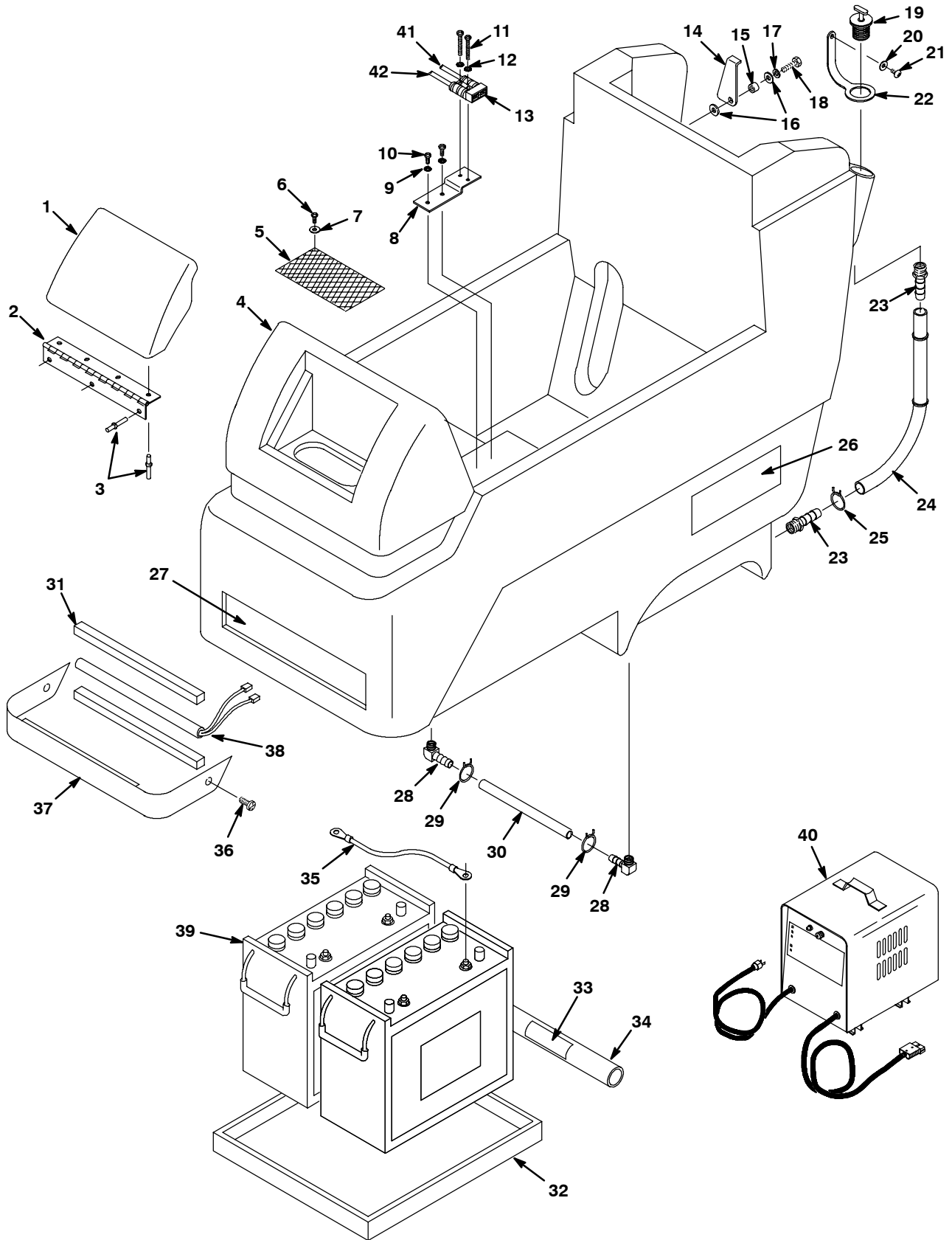
REF	PART #	DESCRIPTION	QTY.
∇ 3	240249	●PAD DRIVER ASM 20"	1
▲ 4	240254	●LUGS, W/SCREWS (SET OF 3)	3
▲ 5	25707	●LOCK, UNIVERSAL CENTER	1

∇ ASSEMBLY / CONJUNTO

▲ INCLUDED IN ASSEMBLY / INCLUIDO EN EL CONJUNTO

● RECOMMENDED STOCK ITEMS / ARTICULOS RECOMENDADOS

SOLUTION TANK GROUP
GRUPE DEL DEPÓSITO DE DISOLUCIÓN



SOLUTION TANK GROUP
GRUPE DEL DEPÓSITO DE DISOLUCIÓN

REF	PART #	DESCRIPTION	QTY.
∇	607982	ASM, COVER SOL. TANK TEAL	1
▲ 1	612519	COVER, SOLUTION TANK TEAL	1
▲ 2	611068	HINGE, COVER	1
▲ 3	140706	RIVET, POP 1/8	7
4	607533	TANK, SOLUTION TEAL	1
5	607099	●SCREEN, SOLUTION FILL	1
6	3701.6	SCREW, #6 X 3/8 PHL SHTMTL	2
7	140032	WASHER, #6 FLAT	2
8	230665	BRACKET, CHARGER PLUG	1
9	140018	WASHER, LOCK INT #10 SS	2
10	140892	SCREW, 10-24 X 1/2 RNDPHL	2
11	2728.12	SCREW, 6-32 X 3/4 PANPHL	2
12	140019	WASHER, LOCK #6 EXT	2
13	605387	●CONNECTOR, RED 50A WO/CONT.	1
14	230925	SUPPORT, RECOVERY TANK	1
15	611418	SLEEVE, 0.437D 0.315B 0.146	1
16	140027	WASHER, FLAT, 0.35B 0.75D .04 SS	2
17	140015	WASHER, LOCK, SPLT 0.31 SS	1
18	140226	SCREW, HEX .31-18 X 0.62	1
19	621324	●PLUG, EXPANDABLE 1.50D	1
20	19066	WASHER, FLAT #10	1
21	140350	SCREW, #10X1/2	1
22	600476	●STRAP, PLUG REAR FILL	1

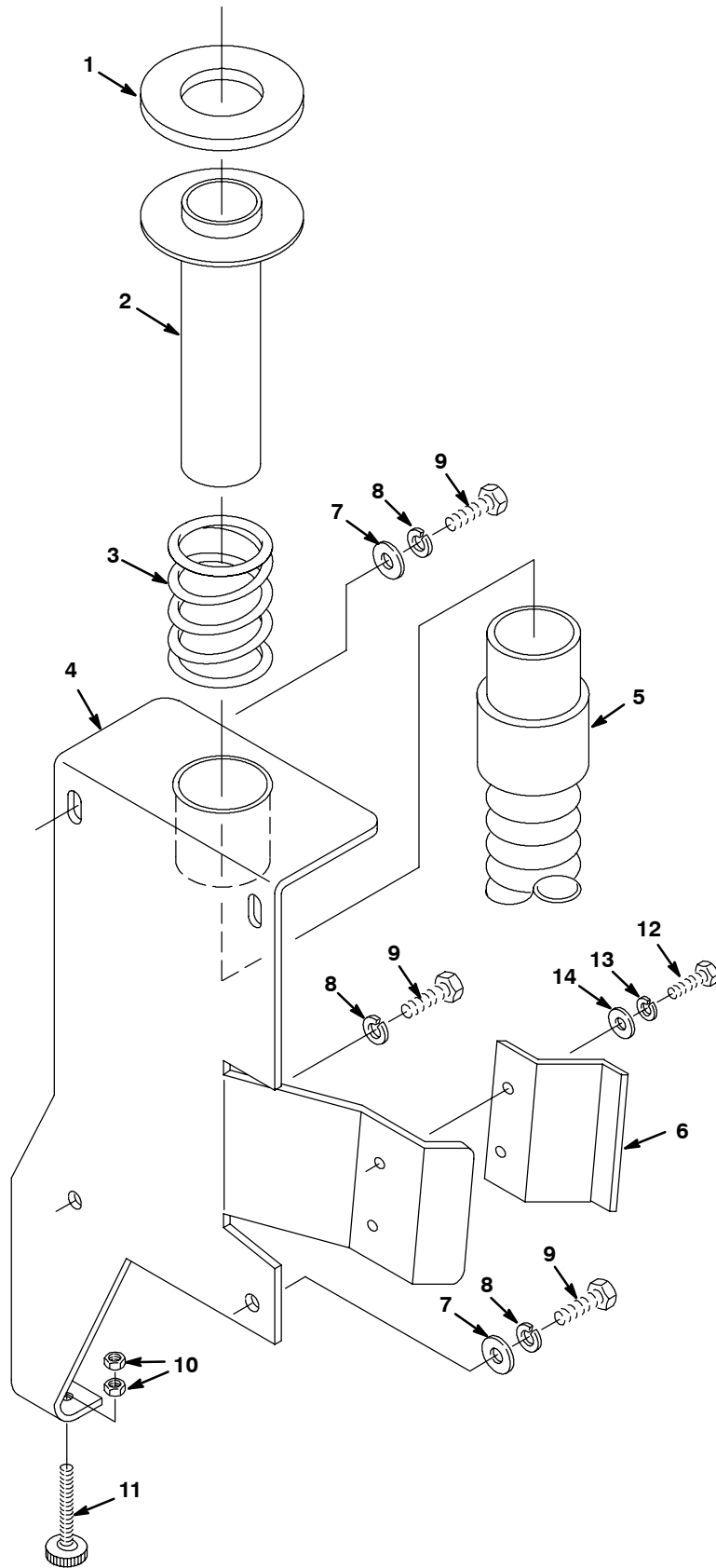
REF	PART #	DESCRIPTION	QTY.
23	14884	FITTING, BRS STR PM06/BM08	2
24	700420	ASM., HOSE W/SOL. INDICATOR	1
25	607776	CLAMP, HOSE 2-WIRE BLK	1
26	608120	DECAL, 5200 SIDE	2
27	120210	DECAL, TENNANT LOGO	1
28	150419	FITTING, E90, PM04/BM06	2
29	607775	CLAMP, HOSE 2-WIRE BLK	2
30	606240	●HOSE, 3/8IDX5/8ODX10.25	1
31	605324	GASKET, 1/2" CLOSED CELL	2
32	602927	TRAY, BATTERY	1
33	120589	DECAL, BATTERY PLACEMENT	1
34	602592	SUPPORT, TUBE BATTERY	1
35	130364	●CABLE, BATTERY #6BLKX15"	1
36	140835	SCREW, 10-24X3/8 PAN PHL	2
37	612764	SHIELD, LIGHT	1
38	130023	LIGHT, SAFETY 24VDC 14"	1
39	130869	BATTERY, 12V 130AH (WET)	2
40	603553	CHARGER, 24DC/12A 120V	1
	604280	CHARGER, 24V 12A 90V-250V	1
41	700169	WIRE, #12X17 5/16 BLK	1
42	700168	WIRE, #12X12 3/8 RED	1

∇ ASSEMBLY / CONJUNTO

▲ INCLUDED IN ASSEMBLY / INCLUIDO EN EL CONJUNTO

● RECOMMENDED STOCK ITEMS / ARTICULOS RECOMENDADOS

SOLUTION TANK REAR PANEL GROUP
CONJUNTO PANEL TRASERA



SOLUTION TANK REAR PANEL GROUP
CONJUNTO PANEL TRASERA

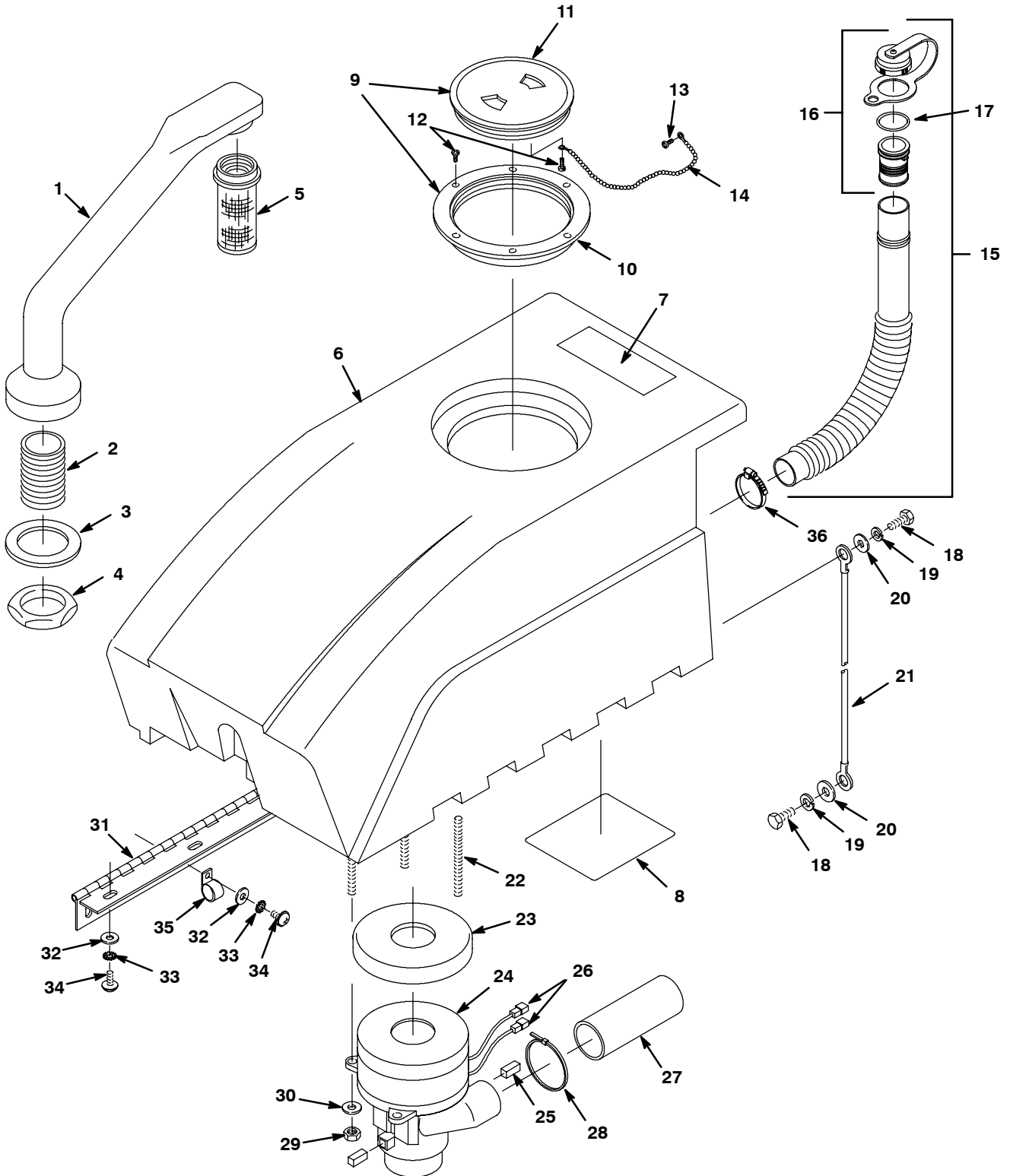
612798

REF	PART #	DESCRIPTION	QTY.
1	100151	●GASKET, TUBE ADAPTER	1
2	230664	ADAPTER, TUBE	1
3	140424	SPRING, TUBE-ADAPTER	1
4	1001210	BRACKET, TUBE MOUNTING	1
5	160617	●HOSE, VAC 1- 1/2 X24" W/CUFFS	1
6	230872	LATCH, PLATE BRUSH LIFT 1/2x27"	1
7	140027	WASHER, FLAT, 0.35B 0.75D .04 SS	3
8	140015	WASHER, LOCK, SPLT 0.31 SS	4

REF	PART #	DESCRIPTION	QTY.
9	140226	SCREW, 5/16-18X5/8	4
10	140548	NUT, 5/16 FINJAM	2
11	240191	KNOB ASSY, RND 1.00D .31-18 2.0L PLSTC	1
12	140259	SCREW, HEX, .25-20 X .62 SS	2
13	140016	WASHER, LOCK 0.25	2
14	140000	WASHER, 1/4 FLAT	2

● RECOMMENDED STOCK ITEMS / ARTICULOS RECOMENDADOS

RECOVERY TANK GROUP
CONJUNTO DESPÓSITO RECUPERAR



RECOVERY TANK GROUP
CONJUNTO DESPÓSITO RECUPERAR

REF	PART #	DESCRIPTION	QTY.
∇ 1	701103	ASM, STANDPIPE W/NIPPLE	1
▲ 2	606088	FITTING, 1-1/2" NIPPLE	1
3	101714	●GASKET, WASTE AIR CHAMBER	1
4	210240	NUT, 1-1/2 FPT FLNG METAL	1
5	180613	●FLOAT, SHUT-OFF (1) BALL	1
∇ 6	614152	ASM., TANK REC. TEAL	1
▲ 7	613287	LABEL, WARNING DC 6" X 2.25"	1
▲ 8	120588	DECAL, BATTERY RECHARGING	1
∇ 9	100102	●ASM., LID CLEAR W/STND HOLE	1
▲ 10	100109	●LID, OUTER RING ONLY	1
▲ 11	100105	●LID, CLEAR CENTER ONLY	1
12	140826	SCREW, #6 X 3/4 PHL SHTMTL	7
13	3701.6	SCREW, #6 X 3/8 PHL SHTMTL	1
14	230513	CHAIN	1
∇ 15	1010143	●ASM., DRAIN HOSE	1
▲ 16	1008639	●ASM., CAP, DRAIN HOSE	1
▲ 17	1008637	O-RING	1
18	140259	SCREW, HEX, .25-20 X .62 SS	2

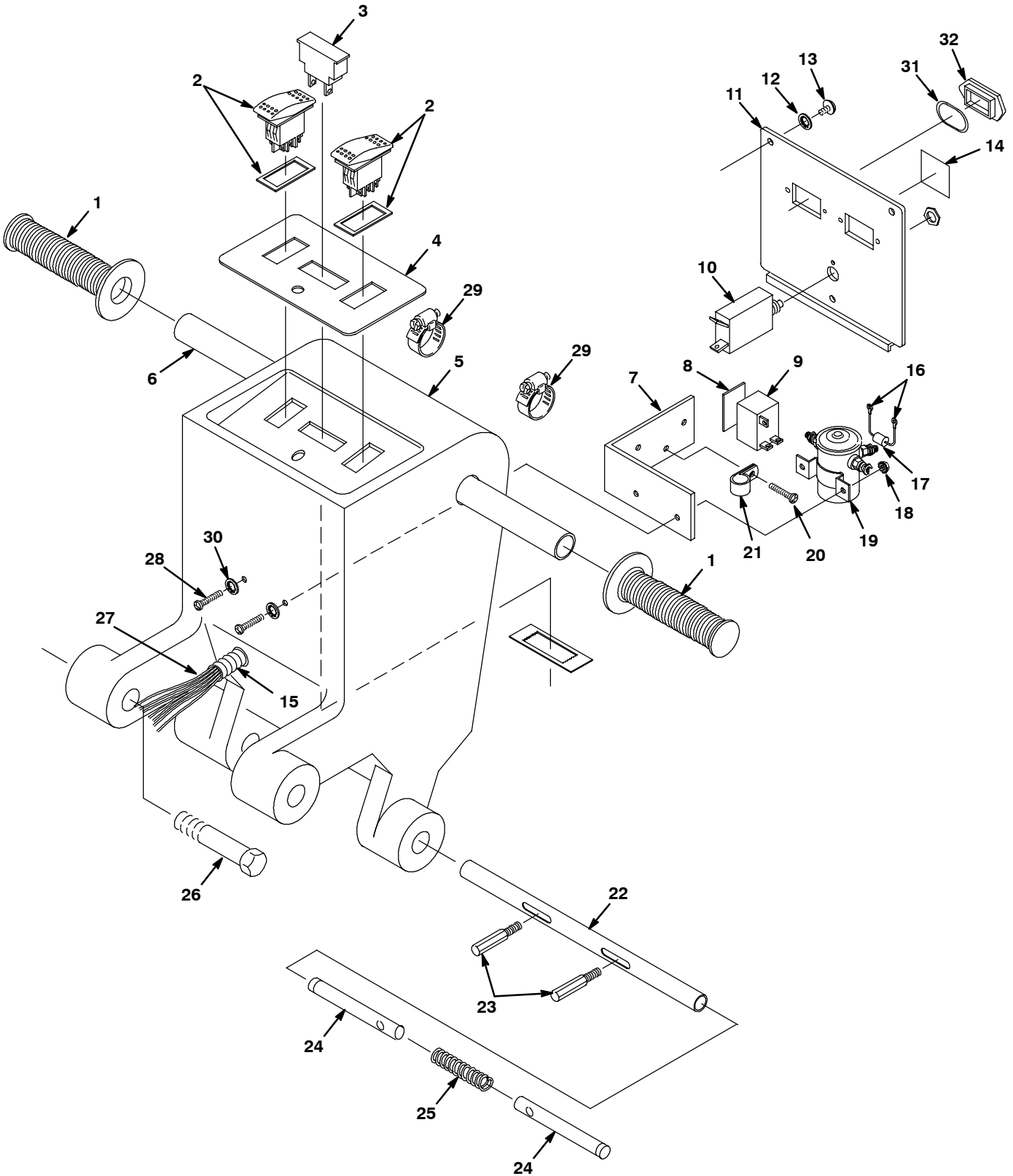
REF	PART #	DESCRIPTION	QTY.
19	140016	WASHER, LOCK 0.25	2
20	140000	WASHER, 1/4 FLAT	2
21	140960	●CABLE, REC. TANK SUPPORT	1
22	606923	STUD, 1/4-20 X 4.00	3
23	100038	●GASKET VAC MOTOR 5.7	1
∇ 24	605357	●MOTOR, VAC 24V 1/2 HP	1
▲ 25	190163	●BRUSH, CARBON 2/PK	1
26	130133	TERMINAL, MALE .25	2
27	600009	●MUFFLER, VAC EXHAUST	1
28	130041	WIRE TIE, 11-1/2X.19 NY	1
29	41169	NUT, HEX LOCK .25-20 NL	3
30	140000	WASHER, 1/4 FLAT	3
31	605244	●HINGE, RECOVERY TANK	1
32	140000	WASHER, 1/4 FLAT	9
33	140052	WASHER, LOCK EXT 0.25	9
34	140885	SCREW, TRS 1/4-20 X 0.50 PHL	9
35	140300	CLAMP, INSULATED 1/2"ID	1
36	140308	CLAMP, HOSE, WORM, 1.31-2.25	1

∇ ASSEMBLY / CONJUNTO

▲ INCLUDED IN ASSEMBLY / INCLUIDO EN EL CONJUNTO

● RECOMMENDED STOCK ITEMS / ARTICULOS RECOMENDADOS

CONTROL CONSOLE GROUP
CONJUNTO CONSOLA DE CONTROLES



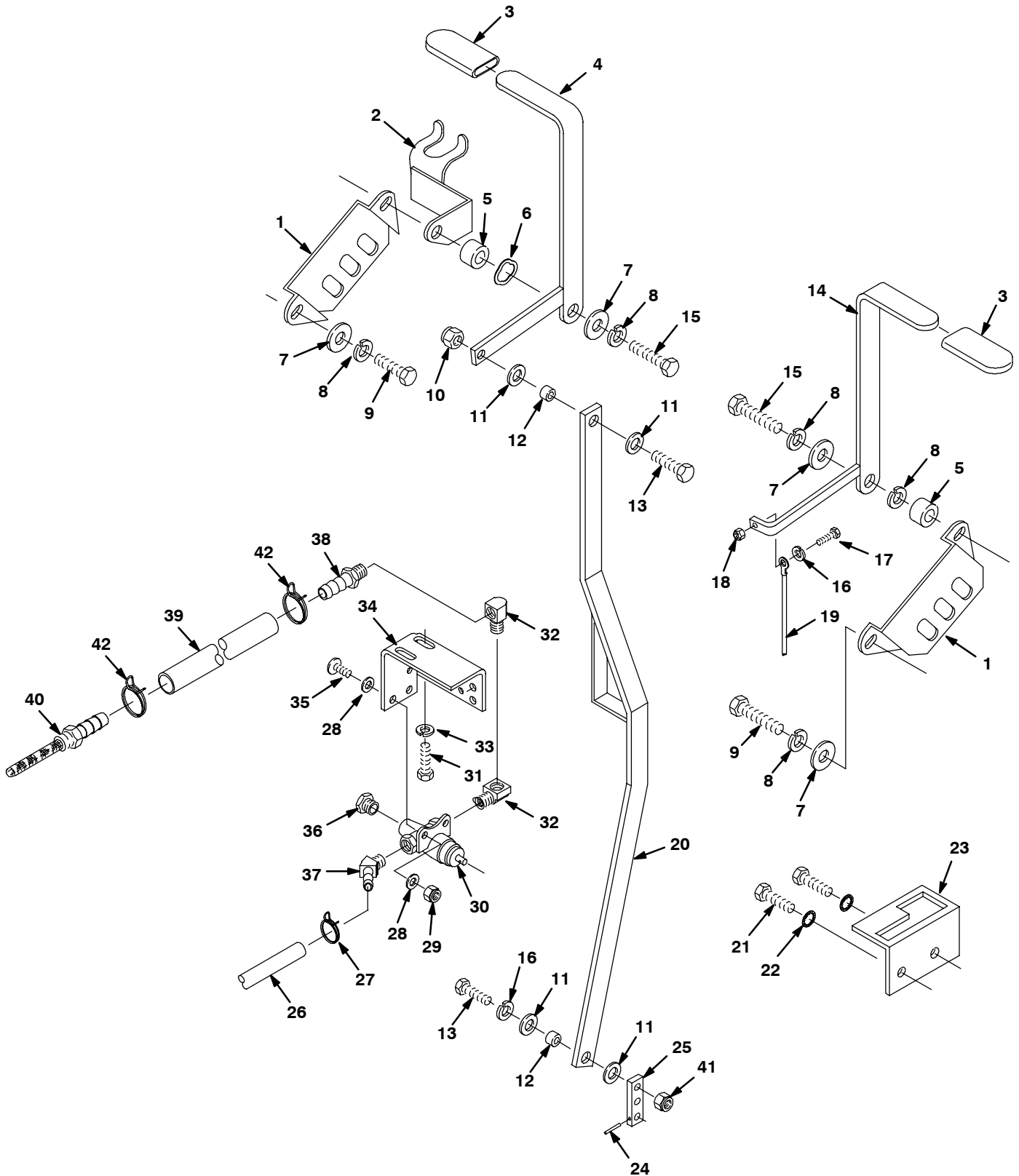
CONTROL CONSOLE GROUP
CONJUNTO CONSOLA DE CONTROLES

REF	PART #	DESCRIPTION	QTY.
1	200823	GRIP, HANDLE TUBE	2
2	608605	●SWITCH, ROCKER DPST SEAL	2
3	606020	●METER, BATTERY VOLTAGE 24V	1
4	600641	DECAL, DASH	1
5	607531	CONTROL CONSOLE TEAL	1
6	230709	HANDLE, TUBE	1
7	230744	BRACKET, ELECTRONICS MOUNT	1
8	606243	TAPE, ACRYLIC FOAM, 1"WX12L	1
9	130021	●FLASHER, 24VDC	1
10	130756	●BREAKER, CIRCUIT 35A	1
11	610949	COVER, CONTROL CONSOLE	1
12	140018	WASHER, LOCK INT #10 SS	2
13	140197	SCREW, TRS 10-24X0.38 PHL SEM	2
14	606105	LABEL, HZRD DO NOT SPRAY	1
15	605840	LOOM, 3/4DIA X 2.5'	1
16	281001009	●TERMINAL, RING #10	2

REF	PART #	DESCRIPTION	QTY.
17	606404	●ASM., DIODE W/RING TRMNL	1
18	140519	NUT, 10-24 KEP	2
19	605905	●SOLENOID, 24 VDC 125A	1
20	140900	SCREW, 10-24X3/4	1
21	140916	CLAMP, CABLE 5/8ID NY	1
22	230715	TUBE, HANDLE ADJUSTMENT	1
23	230649	PIN, HANDLE ADJUSTMENT	2
24	230710	PIN, HANDLE LOCK	2
25	140415	SPRING, LOCK PIN	1
26	140241	BOLT, SHOULDER 5/8 X 2	2
27	700167	HARNESS, WIRE	1
28	140900	SCREW, 10-24X3/4	2
29	614157	CLAMP, HOSE, 27-51MM	2
30	140018	WASHER, LOCK INT #10 SS	2
31	605823	●O-RING, .926 ID X .99600	2
32	609969	●PLUG, HOUR METER	2

● RECOMMENDED STOCK ITEMS / ARTICULOS RECOMENDADOS

LEVER GROUP
CONJUNTO DE PALANCAS



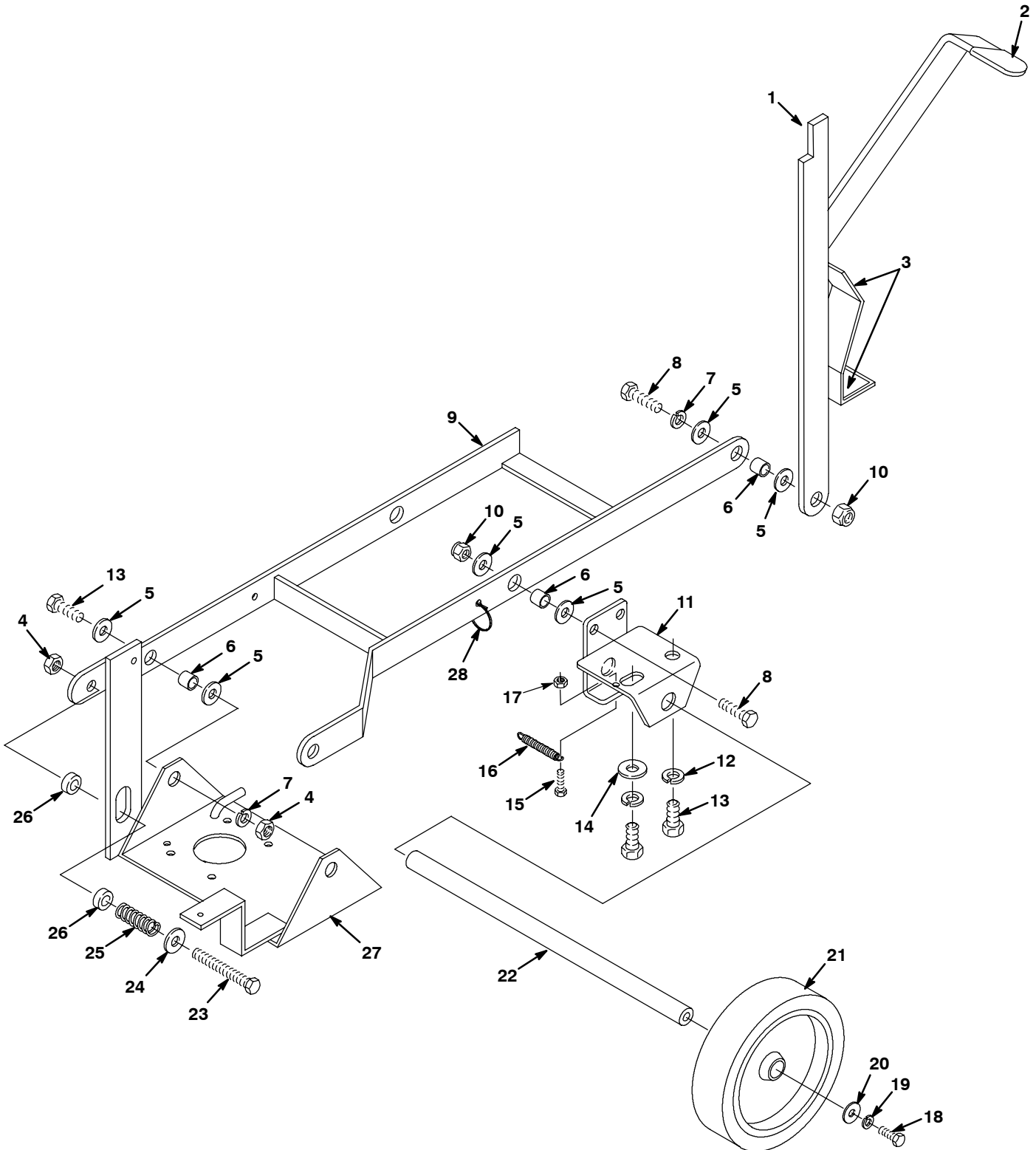
LEVER GROUP
CONJUNTO DE PALANCAS

REF	PART #	DESCRIPTION	QTY.
1	230661	PLATE, LOCK CONTROL HOUSING	2
2	611979	WELDMENT, DRAIN HOSE HANGER	1
3	200816	●GRIP, HANDLE	2
4	230719	HANDLE, SOLUTION VALVE	1
5	230735	BUSHING, SPACER	2
6	140060	WASHER, .505 X .750 X .045 WAVE	1
7	140027	WASHER, FLAT, 0.35B 0.75D .04 SS	4
8	140015	WASHER, LOCK, SPLT 0.31 SS	4
9	140226	SCREW, 5/16-18X5/8	2
10	32520	NUT, .25-20 HEXJAM	1
11	140000	WASHER, 1/4 FLAT	4
12	140134	SLEEVE, 0.376D 0.253B 0.28L	2
13	140208	SCREW, HEX .25-20 X 1.00	2
14	230728	HANDLE, SQUEEGEE LIFT	1
15	140221	SCREW, HEX .31-18X1.25	2
16	140016	WASHER, LOCK 0.25	2
17	140259	SCREW, HEX, .25-20 X .62 SS	1
18	140510	NUT, 1/4-20 HEXJAM	1
19	1015636	●CABLE, SQUEEGEE LIFT	1
20	230718	LEVER, SOLUTION VALVE	1
21	140951	SCREW, 10-24X7/16	2

REF	PART #	DESCRIPTION	QTY.
22	140018	WASHER, LOCK INT #10 SS	2
23	230712	PLATE, SQUEEGEE LOCK	1
24	140616	PIN, ROLL	1
25	230657	ARM, VALVE	1
26	606238	HOSE, 3/8IDX5/8ODX18	1
27	607775	CLAMP, HOSE 2WIRE BLK	1
28	140011	WASHER, 3/16 FLAT	4
29	140552	NUT, 10-24 NYLOCK	2
30	210259	●VALVE, BALL 3-WAY	1
31	140259	SCREW, HEX, .25-20 X .62 SS	2
32	27048	FITTING, BRS E90 PM04/PF04	2
33	140016	WASHER, LOCK 0.25	2
34	600750	BRACKET, VALVE	1
35	140895	SCREW, 10-24X3/4	2
36	150206	FITTING, BRS PLUG PM04 HEX	1
37	605394	FITTING, BRS E45 BM06/PM04	1
38	150517	FITTING, BRS STR PM04/BM08	1
39	606241	HOSE, 1/2ID X 6"	1
40	180629	FILTER, SCREEN 012 MESH	1
41	41169	NUT, HEX LOCK .25-20 NL	1
42	607776	CLAMP, HOSE 2WIRE BLK	2

● RECOMMENDED STOCK ITEMS / ARTICULOS RECOMENDADOS

NON-DRIVE MODEL WHEEL GROUP
CONJUNTO PARA LEVANTAR CEPILLO



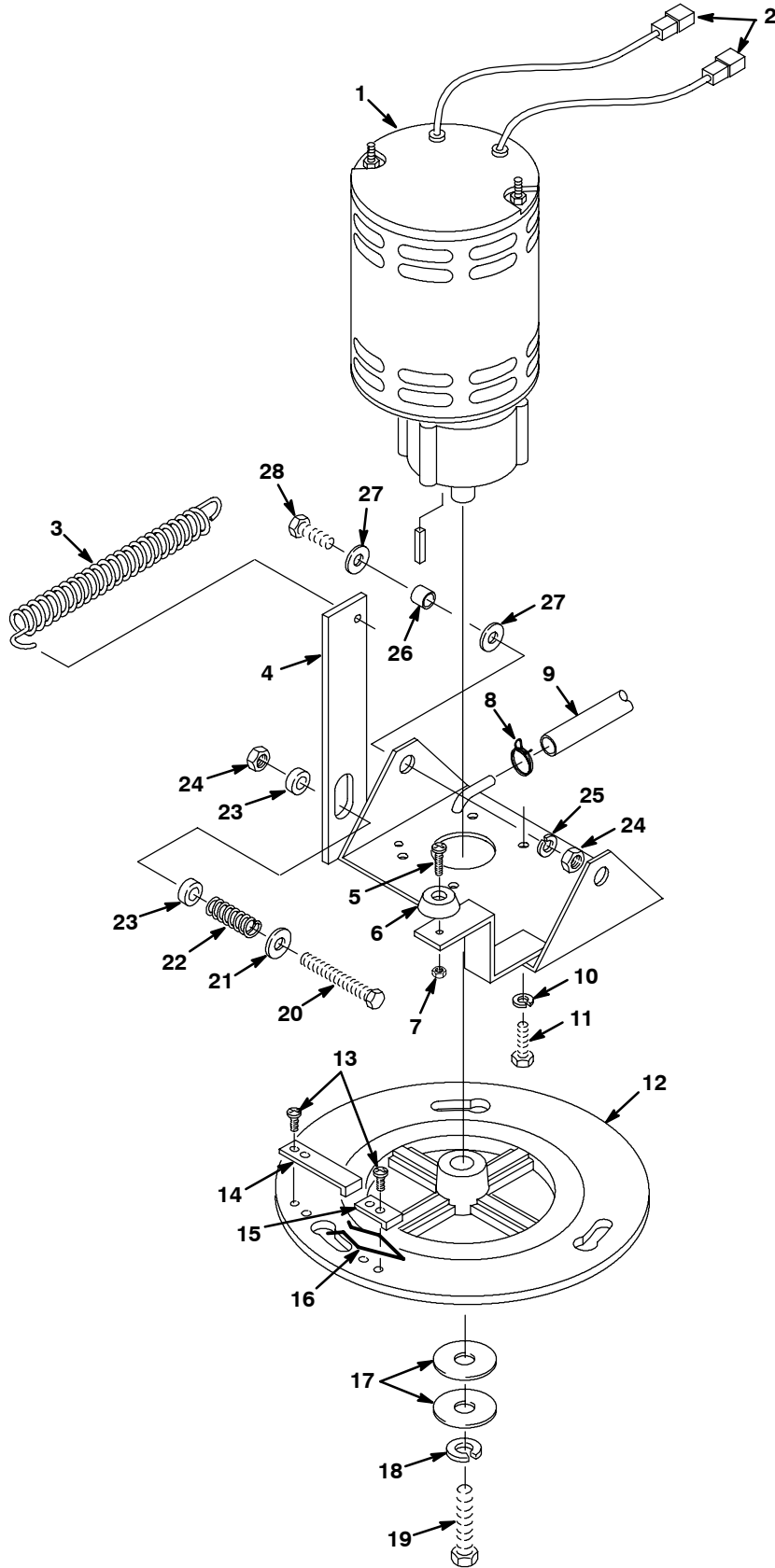
NON-DRIVE MODEL WHEEL GROUP
CONJUNTO PARA LEVANTAR CEPILLO

REF	PART #	DESCRIPTION	QTY.
1	230874	LEVER, BRUSH LIFT FOOT	1
2	200816	GRIP, HANDLE	1
3	102560	PAD, NON-SLIP 1.62 SQ.	2
4	140509	NUT, 1/2-13 HEXJAM	3
5	140045	WASHER, FLAT, 0.51B 1.25D .06 SS	10
6	140139	SLEEVE, 0.625D 0.50B 0.25L STL	5
7	140024	WASHER, LOCK 0.50 SS	3
8	140236	SCREW, .50-13 X 1.25	3
9	230870	WELDMENT, LIFT BRACKET	1
10	02931	NUT, HEX .50-13 LOCK NY	3
11	230869	BRACKET, AXLE & SQ PIVOT MNT	2
12	140024	WASHER, LOCK 0.50 SS	4
13	140237	SCREW, HEX .50-13 X 1.00	6
14	140045	WASHER, FLAT, 0.51B 1.25D .06 SS	2

REF	PART #	DESCRIPTION	QTY.
15	02991	SCREW, HEX .31-18 X 0.75	2
16	140433	SPRING, EXT .50 X 3.00	2
17	140506	NUT, 5/16-18 HEX	2
18	02994	SCREW, HEX .38-16 X 0.75	2
19	140017	WASHER, LOCK SPLIT 0.38	2
20	140028	WASHER, FLAT 0.42B, 1.00D	2
21	1012022	●WHEEL 8"X1.5"	2
22	230743	SHAFT, AXLE .75D 166L	1
23	140234	SCREW, 1/2-13X2-1/2 HXHDCP	1
24	3148.816	WASHER, 0.52B 0.88D .06	1
25	140430	SPRING, HANDLE LOCK	1
26	140127	BEARING, THRUST	2
27	230871	BRACKET, MOTOR MOUNT	1
28	130040	WIRE TIE, NYLON	1

● RECOMMENDED STOCK ITEMS / ARTICULOS RECOMENDADOS

BRUSH DRIVE GROUP
CONJUNTO IMPULSO DE CEPILLO



BRUSH DRIVE GROUP
CONJUNTO IMPULSO DE CEPILLO

REF	PART #	DESCRIPTION	QTY.
▽ 1	130491	●MOTOR, W/GEARBOX 24V IMP	1
▲	190970	●BRUSH, CARBON (SET OF 4)	4
▲	190741	●ASM, BRUSH CARD	1
▲	630609	●GEAR BOX, IMPERIAL MOTOR	1
2	130192	TERMINAL ENDS	2
3	140431	SPRING, EXT 1.0 X 5.00 X 0.95	1
4	230871	BRACKET, MOTOR MOUNT	1
5	140823	SCREW, TRS 10-24 X 0.63 PHL	1
6	100091	BUMPER, RECESSED	1
7	140552	NUT, HEX 10-24 NY	1
8	607775	CLAMP, HOSE 2WIRE BLK	1
9	609924	HOSE, 3/8IDX5/8ODX19" CLEAR	1
10	140017	WASHER, LOCK SPLIT 0.38	4
11	140202	SCREW, HEX .38-16 X 1.00	4
12	606335	PLATE, DRIVE MOLDED	1
13	606915	SCREW, HILO #10-16 X 3/8	4

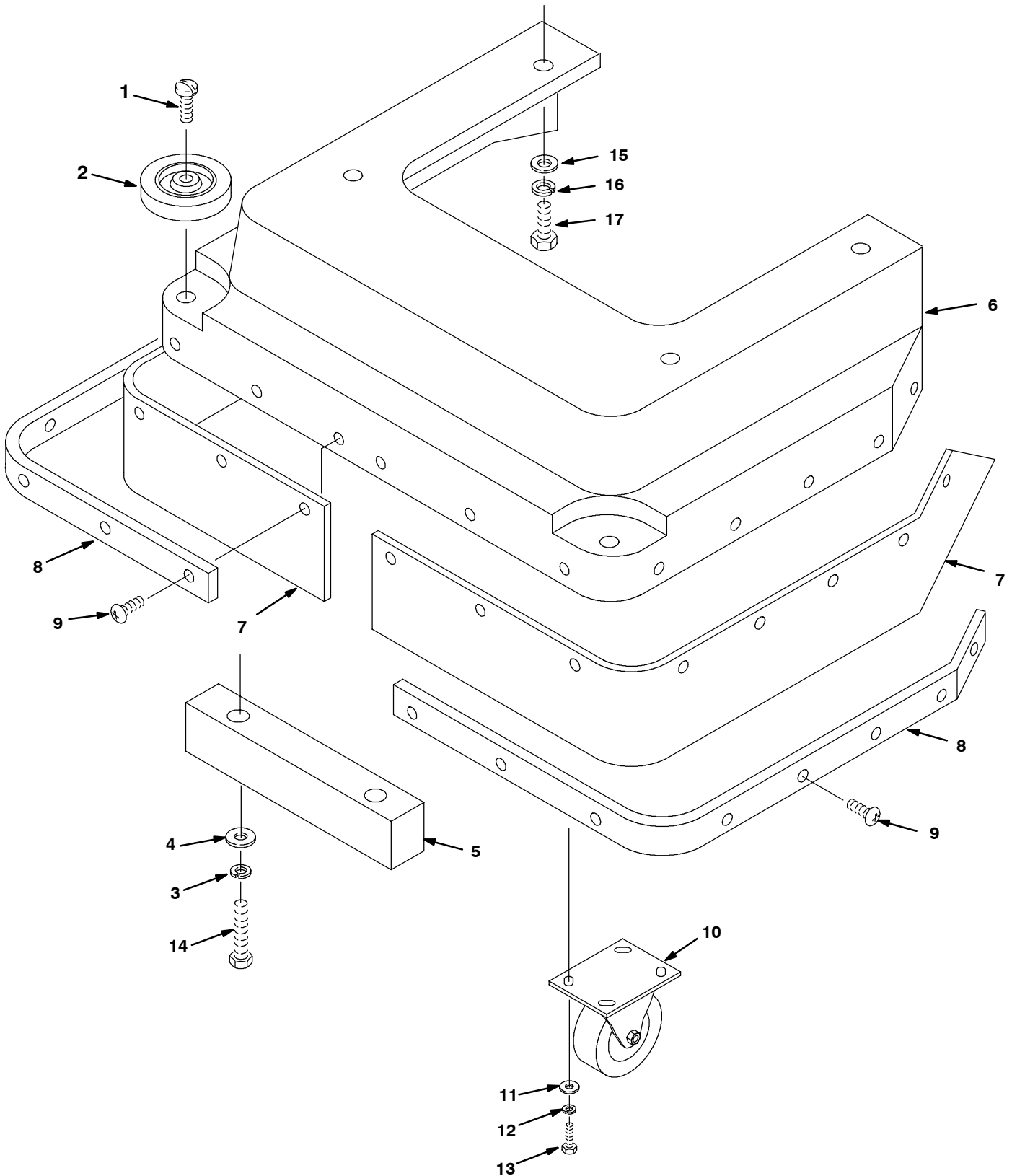
REF	PART #	DESCRIPTION	QTY.
14	230697	●STOP, DRIVER RELEASE	1
15	230651	●CLAMP, BRUSH PLATE	1
16	140417	●CLIP, SPRING	1
17	25732	WASHER, 0.36B 1.25D .093 FLT	2
18	140015	WASHER, LOCK, SPLT 0.31 SS	1
19	140219	SCREW, HEX .31-18 X 1.00	1
20	140234	SCREW, HEX .50-13 X 2.50	1
21	3148.816	WASHER, 0.52B 0.88D .06	1
22	140430	SPRING, HANDLE LOCK	1
23	140127	BEARING, THURST	2
24	140509	NUT, 1/2-13 HXJM	3
25	140024	WASHER, LOCK 0.50 SS	2
26	140139	SLEEVE, 0.625D 0.500B 0.25L	2
27	140045	WASHER, FLAT, 0.51B 1.25D .06 SS	4
28	140237	SCREW, HEX .50-13 X 1.00	2

▽ ASSEMBLY / CONJUNTO

▲ INCLUDED IN ASSEMBLY / INCLUIDO EN EL CONJUNTO

● RECOMMENDED STOCK ITEMS / ARTICULOS RECOMENDADOS

SKIRT GROUP
CONJUNTO JUEGO



SKIRT GROUP
CONJUNTO JUEGO

REF	PART #	DESCRIPTION	QTY.
∇	608789	ASM, SKIRT 20" TEAL	1
▲	1	●SCREW, TRS .31-18 X 1.50 PHL	2
▲	2	●WHEEL, RBR 3.0D W/BUSHINGS	2
▲	3	WASHER, LOCK, SPLT 0.31 SS	4
▲	4	WASHER, FLAT, 0.35B 0.75D .04 SS	2
▲	5	WEIGHT, 2X2.5X9.5	1
▲	6	SKIRT, HSG. 20" TEAL	1
▲	7	●GUARD, SPLASH	2
▲	8	STRAP, SPLASH GUARD	2

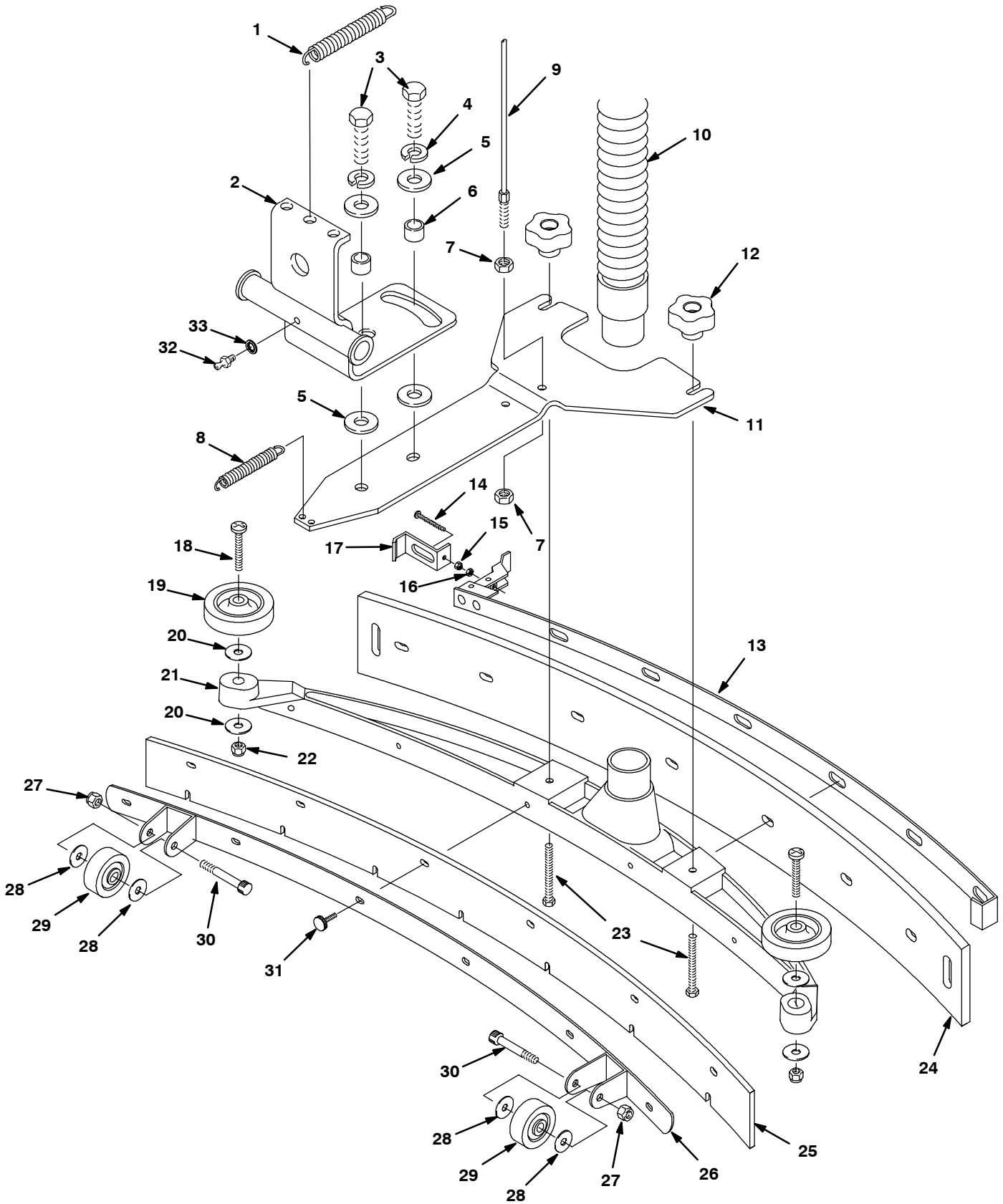
REF	PART #	DESCRIPTION	QTY.
▲	9	SCREW, TRS 10-24X0.50 PHL SEM	16
▲	10	●CASTER, SWIVEL 3"X1.25"	2
▲	11	WASHER, 1/4 FLAT	8
▲	12	WASHER, LOCK 0.25	8
▲	13	SCREW, HEX, .25-20 X .62 SS	8
▲	14	SCREW, 5/16-18X2-1/2 TAP	2
	15	WASHER, FLAT, 0.35B 0.75D .04 SS	4
	16	WASHER, LOCK, SPLT 0.31 SS	4
	17	SCREW, HEX .31-18 X 1.50	4

∇ ASSEMBLY / CONJUNTO

▲ INCLUDED IN ASSEMBLY / INCLUIDO EN EL CONJUNTO

● RECOMMENDED STOCK ITEMS / ARTICULOS RECOMENDADOS

CURVED SQUEEGEE GROUP
CONJUNTO PALETA ENCORUADO



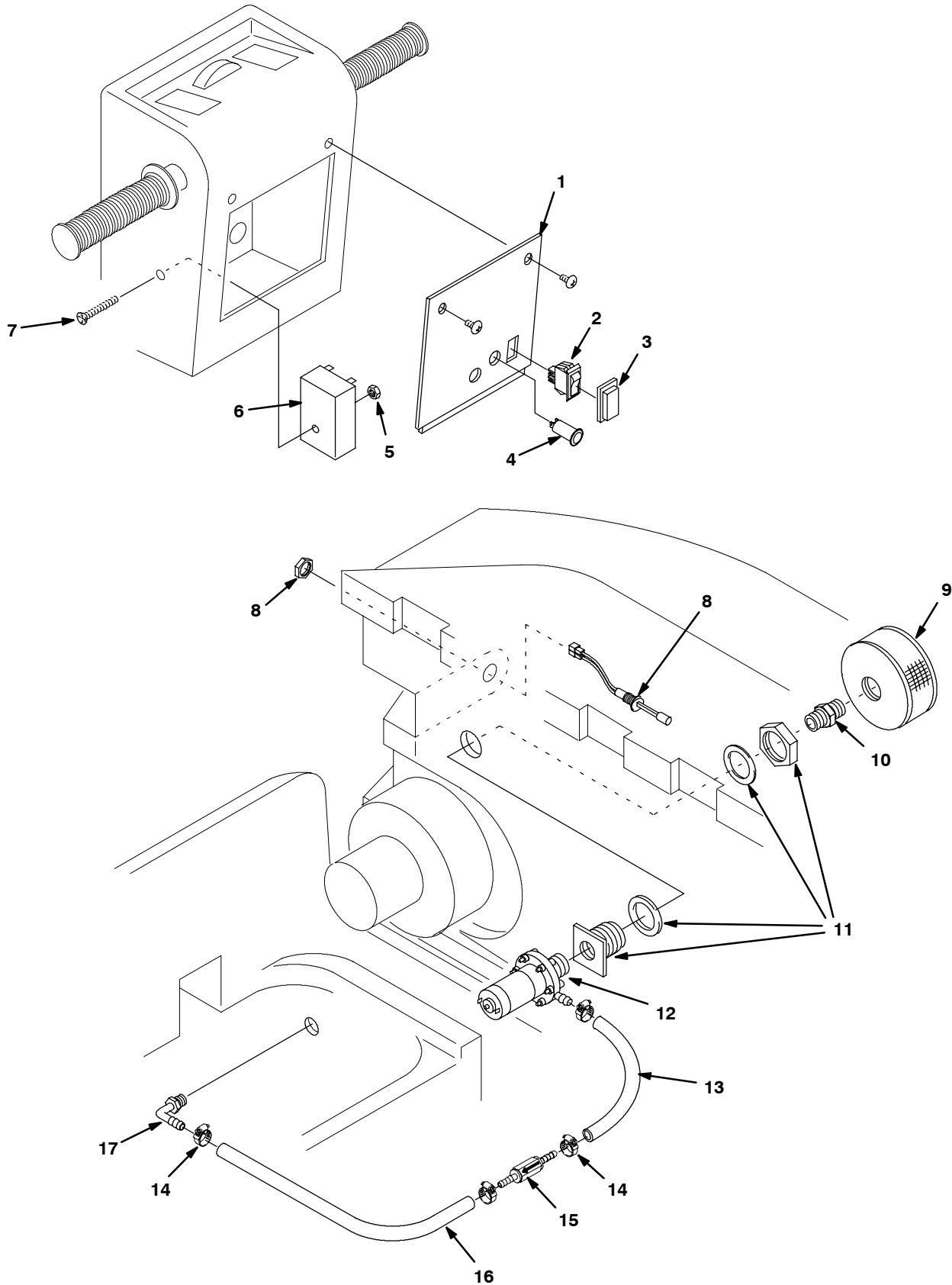
CURVED SQUEEGEE GROUP
CONJUNTO PALETA ENCORUADO

REF	PART #	DESCRIPTION	QTY.
1	603149	SPRING, EXT .65 X 5.00 X .069	1
2	608834	PIVOT, SQUEEGEE MOUNT	1
3	140237	SCREW, HEX .50-13 X 1.00	2
4	140024	WASHER, LOCK 0.50 SS	2
5	140045	WASHER, FLAT, 0.51B 1.25D .06 SS	4
6	140139	SLEEVE, 0.625D 0.500B 0.25L	2
7	140524	NUT, 1/4-20 KEP	2
8	140433	SPRING, EXTENSION .50 X 3.00	2
9	1015636	●CABLE, SQUEEGEE LIFT	1
10	612798	●HOSE, VAC 1-1/2X27" W/CUFFS	1
11	612793	BRACKET, SQUEEGEE MOUNT	1
12	1011094	●KNOB, RND 1.50DIA 5 EAR	2
13	630348	●BAND, ASSY SQUEEGEE	1
14	630389	SCREW, PAN M5 X 0.8 X 45 PHL	1
15	09739	NUT, HEX M5 X .8 LOCK NL	1
16	140297	NUT, M5X.8 HEX	1
17	630287	●CLIP, SQUEEGEE BAND	1
18	630424	SCREW, PAN M8X1.25X70 PHL	2
19	1014918	●WHEEL, RBR 3.0D W/BUSHINGS	2
20	630303	WASHER, FLAT M8.4 X 25.4 X 2.0	4
21	630275	CASTING, SQUEEGEE 20"	1
22	08709	NUT, HEX LOCK M8 X 1.25 NL	2
23	140799	SCREW, TRS .31-18 X 1.50 PHL	2

● RECOMMENDED STOCK ITEMS / ARTICULOS RECOMENDADOS

REF	PART #	DESCRIPTION	QTY.
24	REAR BLADES		
	612792	●BLADE, SQUEEGEE REAR LINATEX (RED) STANDARD	1
	630296	●BLADE, SQUEEGEE REAR GUM RUBBER (TAN) OPTIONAL	1
	612794	●BLADE, SQUEEGEE REAR URETHANE (WHITE) OPTIONAL	1
25	FRONT BLADES		
	612980	●BLADE, FRONT SQUEEGEE LINATEX (RED) STANDARD	1
	612981	●BLADE, FRONT SQUEEGEE GUM RUBBER (TAN) OPTIONAL	1
	612982	●BLADE, FRONT SQUEEGEE URETHANE (WHITE) OPTIONAL	1
	QUARRY TILE FRONT BLADES		
	630288	●BLADE, FRONT SQUEEGEE LINATEX (RED) OPTIONAL	1
	630291	●BLADE, FRONT SQUEEGEE GUM RUBBER (TAN) OPTIONAL	1
	600207	●BLADE, FRONT SQUEEGEE URETHANE (WHITE) OPTIONAL	1
26	612791	●BAND, SQUEEGEE FRONT	
27	601108000	NUT, 5/16-18 HEX LCK THIN NY	2
28	140028	WASHER, FLAT 0.42B, 1.00D	4
29	630477	●WHEEL, 2.0D 0.38W POLY GRAY	2
30	600187	SCREW, SHLD .380 X 1.25, .31-18	2
31	603012	●KNOB, RND PLSTC M6 X 12 STUD	6
32	150015	FITTING, GREASE 1/4-28M	1
33	578244000	WASHER, M6.4 X 10 LOCK	1

ES® KIT
ES® JUEGO



**ES® KIT
ES® JUEGO**

REF	PART #	DESCRIPTION	QTY.
▽	604951	●KIT, RECYCLE ES®	1
▲ 1	604952	COVER, CONTROL PANEL	1
▲ 2	630419	●SWITCH, ROCKER 28VDC SPST	1
▲ 3	578720	●SPLASHGUARD, RCKR SWITCH	1
▲ 4	130738	●LIGHT, INDICATOR GREEN	1
▲ 5	140552	NUT, HEX 10-24 NL	1
▲ 6	630145	●TIMER, 24VDC, RANGE:30SEC	1
▲ 7	140753	SCREW, 10-24X1-1/2 FLTPHL	1
▲ 8	603166	●SENSOR, LEVEL, LIQUID 28VDC	1
▲ 9	630138	●FILTER, SCREEN 100-MESH	1

REF	PART #	DESCRIPTION	QTY.
▲ 10	630385	FITTING, PLSTC STR PM12/PM12	1
▲ 11	601490	FITTING, 3/4NPT BULKHEAD	1
▲ 12	630136	●PUMP, SOLUTION 24VDC	1
▲ 13	630417	TUBING, 3/8ID X 5/8OD X 6.5"	1
▲ 14	54333	CLAMP, HOSE WORM 0.31-0.88D	4
▲ 15	210044	●VALVE, CHECK	1
▲ 16	606363	TUBING, 3/8ID X 5/8OD X 13"	1
▲ 17	150415	FITTING, PLSTC E90 PM04/BM06	1
▲ N/S	604787	HARNESS, WIRE ES® KIT	1

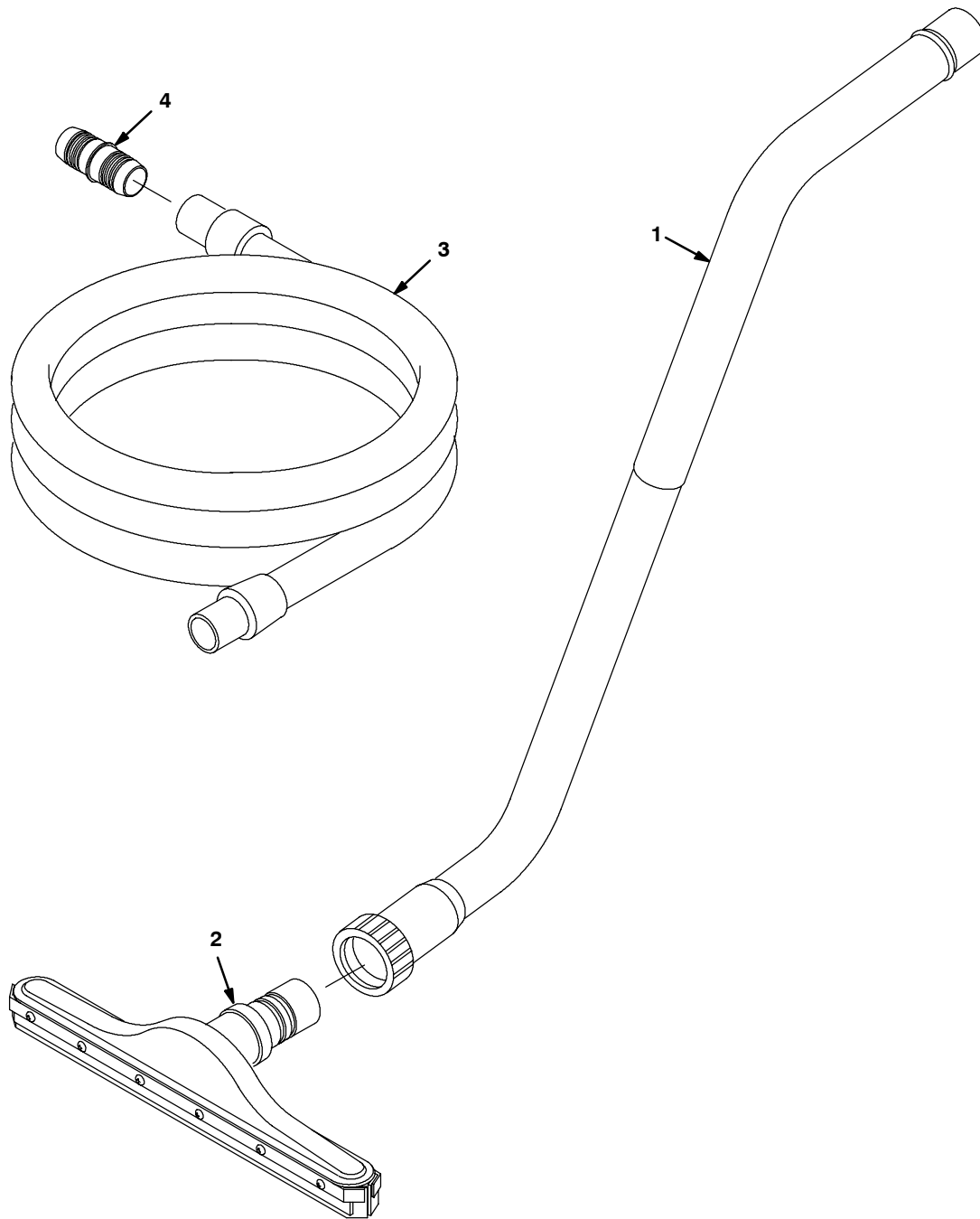
▽ ASSEMBLY / CONJUNTO

▲ INCLUDED IN ASSEMBLY / INCLUIDO EN EL CONJUNTO

● RECOMMENDED STOCK ITEMS / ARTICULOS RECOMENDADOS

N/S = NOT SHOWN

**SQUEEGEE WAND ASSEMBLY
GROUPE D'ASPIRATION ET RACLETTE À MAIN**



REF	PART #	DESCRIPTION	QTY.
▽	190928	●ASM, WAND DOUBLE BEND	1
▲ 1	6108.1	WAND, DOUBLE BEND	1
▲ 2	13840	SQUEEGEE ASM PUSH/PULL	1

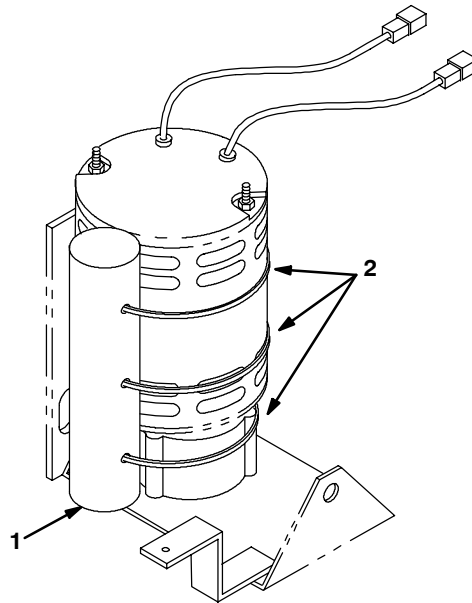
REF	PART #	DESCRIPTION	QTY.
▲ 3	160481	●HOSE, VAC 1-1/2X10'	1
▲ 4	160451	CONNECTOR, VAC HOSE	1

▽ ASSEMBLY / CONJUNTO

▲ INCLUDED IN ASSEMBLY / INCLUIDO EN EL CONJUNTO

● RECOMMENDED STOCK ITEMS / ARTICULOS RECOMENDADOS

**BRUSH WEIGHT KIT
KIT DEL PESO DEL CEPILLO**



REF	PART #	DESCRIPTION	QTY.	
▽	190703	●KIT, BRUSH WEIGHT	1	
▲	1	230799	WEIGHT, BRUSH	1

REF	PART #	DESCRIPTION	QTY.	
▲	2	130042	WIRE TIE, NYLON	6

▽ ASSEMBLY / CONJUNTO

▲ INCLUDED IN ASSEMBLY / INCLUIDO EN EL CONJUNTO

● RECOMMENDED STOCK ITEMS / ARTICULOS RECOMENDADOS