



## Electronic Service Manuals

This electronic document is provided as a service to our customers. We do not create the contents of the information contained in this document. Should you have detailed questions pertaining to the information contained in this document, you may contact Michco, or the manufacturer which provided the original information in this electronic deliverable. Michco's only part in this electronic deliverable was the electronic assembly process. By providing this manual on line we are not guaranteeing parts availability.

You may contact Michco through the following methods:

Phone (517) 484-9312 or (800) 331-3339

2011 N. High St. -- Lansing, Michigan -- 48906

Fax: (517) 484-9836

Email: [CustServe@Michco.com](mailto:CustServe@Michco.com)

Web site: [www.Michco.Com](http://www.Michco.Com)

Parts Web site: [www.FloorMachineParts.Com](http://www.FloorMachineParts.Com)

Order Parts on Line at:

**[www.FloorMachineParts.Com](http://www.FloorMachineParts.Com)**

Directly to Parts & Service:

By Email: **[Shop@Michco.com](mailto:Shop@Michco.com)**

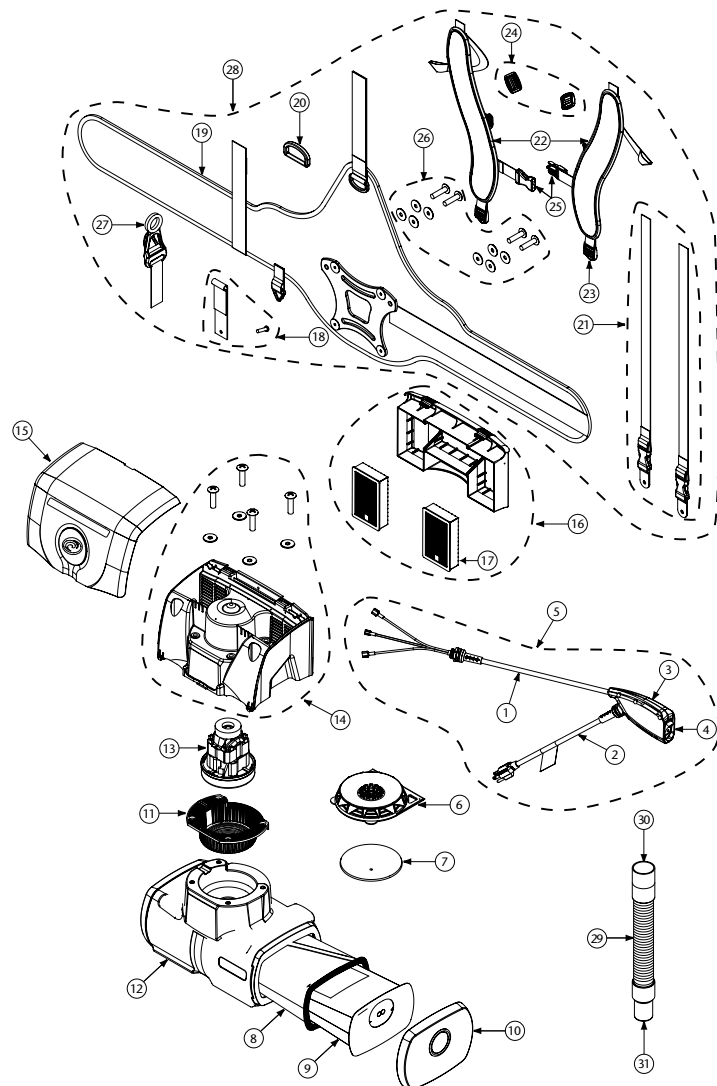
By Fax: (517) 702-2041

By Voice: Use numbers above.

**Serving the Cleaning Industry Since 1922**

Notice: All copyrighted material remains property of original owners, all trademarks are property of respective owners. Manuals are subject to Manufacturer's reproduction limitations. Originals or reproductions were provided by manufacturers through a request. We make no warranty as to the correctness of information provided in this document and you assume all risk. By placing these manuals on line we are not declaring our corporation to be an manufacturer authorized dealer or provider, please check our web site for authorized manufacturers we represent.

# SUPER HALFVAC PRO PARTS



No.	Product Name	Qty	List Price
1	834675 Switch Cord Assembly	1 ea.	\$5.54
2	834676 Power Cord Assembly	1 ea.	4.32
3	107043 Switch Box	1 ea.	17.61
4	106066 On/Off Switch	1 ea.	7.14
5	834674 Switch and Power Cord Assembly (includes: #1 - 4)	1 set	13.38
6	107054 Plastic Dome Filter	1 ea.	7.88
7	107060 Foam Filter Media	1 ea.	1.32
8	107040 Micro Cloth Filter	1 ea.	24.45
9	106973 Intercept Micro Filter (closed collar)	10/pk.	24.47
	106960 Intercept Micro Filter (open collar)	10/pk.	20.80
10	834343 End Cap (purple)	1 ea.	6.75
11	834339 Vibration Dampener	1 ea.	7.65
12	510212 Bag Housing w/Decals	1 ea.	94.95
13	510213 Motor Assembly	1 ea.	73.20
14	510227 Upper Housing w/Screws & Washers	1 set	48.75
15	510214 Overlap Housing w/Screws	1 set	31.76
16	834333 HEPA Filter Housing w/2 HEPA Cartridges (includes: #17)	1 ea.	39.95
	107059 HEPA Filter Housing	1 ea.	13.18
17	107005 HEPA Cartridge	1 ea.	5.78
18	107048 Stabilization Strap w/Screw	1 ea.	1.63
19	107047 Waist Belt w/Plate	1 ea.	54.97
20	107051 D-Ring	1 ea.	0.72
21	107049 Length Adjustment Strap Kit w/Buckles	1 set	9.33
22	100356 Shoulder Strap Assembly (includes: #23 - 26)	1 set	17.05
23	100357 Shoulder Strap Plastic Adj. Buckle (Bottom)	1 ea.	0.99
24	100358 Shoulder Strap Plastic Adj. Buckle (Top)	1 ea.	0.99
25	103627 Sternum Strap Buckles (Latch & Keeper)	1 set	2.10
26	107052 Waist Belt Assembly & Upper Housing Screw Kit	1 set	7.13
27	102604 Cord Holder	1 ea.	8.77
28	107050 Waist Belt, Complete, w/Mounting Hardware (includes: #18 - 27)	1 set	81.74
29	101184 Stretch Hose w/Cuffs 1¼" (Black)	1 ea.	22.96
	101705 Stretch Hose w/Cuffs 1½" (Black)	1 ea.	28.51
30	101437 Replacement Fixed Hose Cuff (Black) 1½" - 1¼"	1 ea.	5.60
31	101436 Replacement Swivel Cuff (Black) 1¼"	1 ea.	7.85
	107220 Replacement Swivel Cuff (Black) 1½"	1 ea.	6.41
	101678 50' Extension Cord (Not Shown)	1 ea.	32.60