



Electronic Service Manuals

This electronic document is provided as a service to our customers. We do not create the contents of the information contained in this document. Should you have detailed questions pertaining to the information contained in this document, you may contact Michco, or the manufacturer which provided the original information in this electronic deliverable. Michco's only part in this electronic deliverable was the electronic assembly process. By providing this manual on line we are not guaranteeing parts availability.

You may contact Michco through the following methods:

Phone (517) 484-9312 or (800) 331-3339

2011 N. High St. -- Lansing, Michigan -- 48906

Fax: (517) 484-9836

Email: CustServe@Michco.com

Web site: www.Michco.Com

Parts Web site: www.FloorMachineParts.Com

Order Parts on Line at:

www.FloorMachineParts.Com

Directly to Parts & Service:

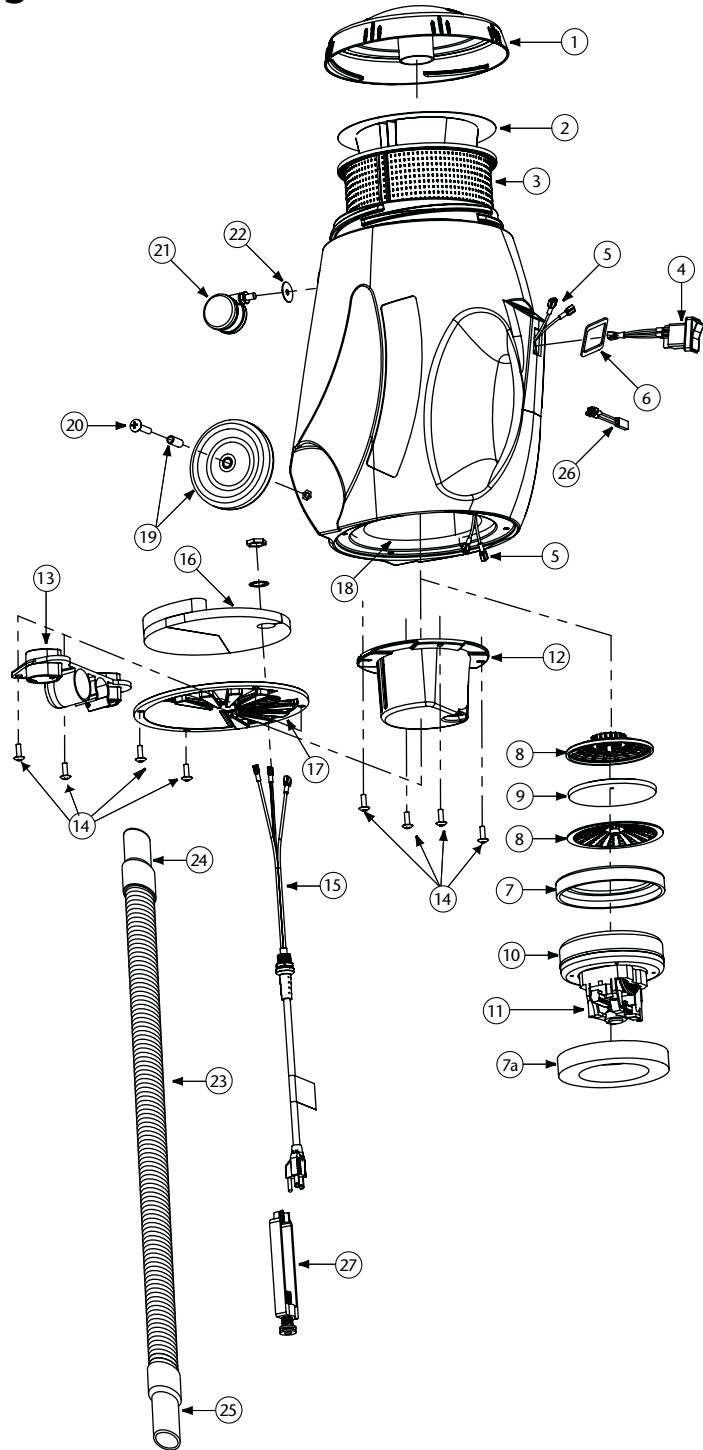
By Email: **Shop@Michco.com**

By Fax: (517) 702-2041

By Voice: Use numbers above.

Serving the Cleaning Industry Since 1922

Notice: All copyrighted material remains property of original owners, all trademarks are property of respective owners. Manuals are subject to Manufacturer's reproduction limitations. Originals or reproductions were provided by manufacturers through a request. We make no warranty as to the correctness of information provided in this document and you assume all risk. By placing these manuals on line we are not declaring our corporation to be an manufacturer authorized dealer or provider, please check our web site for authorized manufacturers we represent.



RUNNINGVAC ASSEMBLY

No.	Product Name	Qty
1	106889 Top Cap, Purple (RunningVac)	1 ea.
2	104544 Intercept Micro Filter	10/pk
3	103115 Micro Cloth Filter	1 ea.
4	103327 On/Off Switch (includes: 2 ea. of #6)	1 ea.
5	103212 Wire Harness Assembly: 3 Wires and Strain Relief	1 set
6	106110 Gasket	1 ea.
7	103236 Motor Seal	1 ea.
7a	105430 Upper Foam Compression Ring	1 ea.
8	102784 Dome Filter w/Filter Media	1 ea.
9	101949 Replacement Foam Media for Dome Filter	1 ea.
	102761 High Filtration Disk (Optional)	2/pk
10	105687 Motor/Fan (120V)	1 ea.
11	105164 Carbon Brush Set (Domel Motor)	1 set
	101720 Carbon Brush Set (Ametek Motor)	1 set
12	103121 Motor Mount	1 ea.
13	103117 Tool Dock	1 ea.
14	103266 Motor Mount and Vented Exhaust Cover Screw Kit	1 set
15	103215 Power Cord (18" 14/3) Assembly w/Locknut and Washer	1 ea.
16	103123 Exhaust Foam	1 ea.
17	103360 Cover Assembly, Vented Exhaust	1 ea.
18	103256 Rear Foam Diffuser	1 ea.
	103124 Foam Inlet Damper A (not shown)	1 ea.
	103125 Foam Inlet Damper B (not shown)	1 ea.
19	103267 Rear Wheel Assembly Kit: 2 Wheels, 2 Spacers, 2 Screws	1 set
20	103268 Rear Wheel Mounting Screw Kit: 2 Screws	1 set
21	103114 Swivel Caster (Front Wheel)	1 ea.
22	103545 Conical Washer for Swivel Caster	1 set
23	103172 78" Static Dissipating Hose w/Cuffs (Black) 1 1/2"	1 set
24	100694 Replacement Swivel Cuff (Black) 1 1/2"	1 ea.
25	103150 Replacement Long Swivel Cuff (Black) 1 1/2"	1 ea.
26	107294 Thermal Protector Replacement	1 ea.
27	103441 Cord Lock	1 ea.
	101678 50' Extension Cord (Not Shown)	1 ea.