



Electronic Service Manuals

This electronic document is provided as a service to our customers. We do not create the contents of the information contained in this document. Should you have detailed questions pertaining to the information contained in this document, you may contact Michco, or the manufacturer which provided the original information in this electronic deliverable. Michco's only part in this electronic deliverable was the electronic assembly process. By providing this manual on line we are not guaranteeing parts availability.

You may contact Michco through the following methods:

Phone (517) 484-9312 or (800) 331-3339

2011 N. High St. -- Lansing, Michigan -- 48906

Fax: (517) 484-9836

Email: CustServe@Michco.com

Web site: www.Michco.Com

Parts Web site: www.FloorMachineParts.Com

Order Parts on Line at:

www.FloorMachineParts.Com

Directly to Parts & Service:

By Email: **Shop@Michco.com**

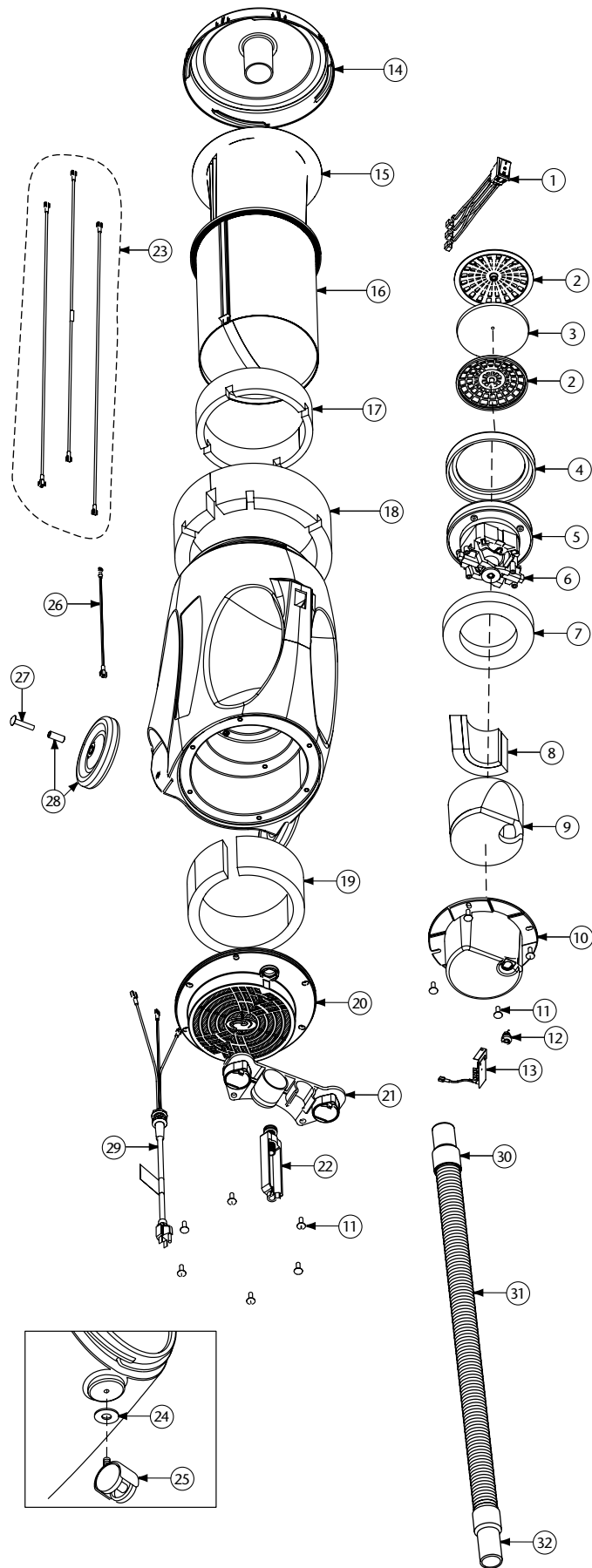
By Fax: (517) 702-2041

By Voice: Use numbers above.

Serving the Cleaning Industry Since 1922

Notice: All copyrighted material remains property of original owners, all trademarks are property of respective owners. Manuals are subject to Manufacturer's reproduction limitations. Originals or reproductions were provided by manufacturers through a request. We make no warranty as to the correctness of information provided in this document and you assume all risk. By placing these manuals on line we are not declaring our corporation to be an manufacturer authorized dealer or provider, please check our web site for authorized manufacturers we represent.

QUIETPRO CN HEPA PARTS



No.	Product Name	Qty	List Price
1	105991 On/Off Switch (2 Stage)	1 ea.	\$ 16.07
2	102784 Dome Filter w/Filter Media	1 ea.	7.88
3	101949 Replacement Foam Media for Dome Filter	1 ea.	1.32
	102761 High Filtration Disk (Optional)	2/pk	10.80
4	103236 Motor Seal	1 ea.	6.56
5	106919 Motor/Fan (120V) w/Crimps (Ametek Motor)	1 ea.	96.53
6	105697 Carbon Brush Set (Domel Motor)	1 set	20.98
	106904 Carbon Brush Set (Ametek Motor) (122157-00)	1 set	20.98
7	105430 Upper Foam Compression Ring	1 ea.	14.49
8	105949 Noise Suppression Filter Assembly	1 ea.	21.01
9	105948 Noise Suppression Foam	1 ea.	11.93
10	103121 Motor Mount	1 ea.	21.23
11	103266 Motor Mount and Vented Exhaust Cover Screw Kit	1 set	5.84
12	102127 Small Strain Relief	1 ea.	.29
13	105653 Dual Speed Module and Schematic with Thermal Protector	1 ea.	60.19
14	103318 Top Cap, Black	1 ea.	34.10
15	104544 Intercept Micro Filter	10/pk	24.97
16	103115 Micro Cloth Filter	1 ea.	30.88
17	103125 Foam Inlet Damper B	1 ea.	9.86
18	103124 Foam Inlet Damper A	1 ea.	14.01
19	103256 Rear Foam Diffuser	1 ea.	11.81
20	103638 Replacement HEPA Filter Kit and Mounting Screw (includes: #29)	1 ea.	123.67
21	103117 Tool Dock	1 ea.	19.69
22	103441 Cord Lock	1 ea.	12.34
23	106203 Wire Harness Assembly: 3 Wires and Strain Relief	1 set	22.71
24	103545 Conical Washer for Swivel Caster	1 set	4.32
25	103114 Swivel Caster	1 ea.	11.81
26	106107 Ground Jumper	1 ea.	9.66
27	103268 Rear Wheel Mounting Screw Kit: 2 Screws	1 set	3.02
28	103267 Rear Wheel Assembly Kit: 2 Wheels, 2 Spacers, 2 Screws	1 set	18.76
29	103215 Power Cord Assembly w/Locknut and Washer	1 ea.	19.03
30	100694 Replacement Swivel Cuff (Black) 1 1/2"	1 ea.	5.39
31	103172 78" Static Dissipating Hose w/Cuffs (Black) 1 1/2"	1 set	34.10
32	103150 Replacement Long Swivel Cuff (Black) 1 1/2"	1 ea.	11.19
	101678 50' Extension Cord (Not Shown)	1 ea.	32.60