



Electronic Service Manuals

This electronic document is provided as a service to our customers. We do not create the contents of the information contained in this document. Should you have detailed questions pertaining to the information contained in this document, you may contact Michco, or the manufacturer which provided the original information in this electronic deliverable. Michco's only part in this electronic deliverable was the electronic assembly process. By providing this manual on line we are not guaranteeing parts availability.

You may contact Michco through the following methods:

Phone (517) 484-9312 or (800) 331-3339

2011 N. High St. -- Lansing, Michigan -- 48906

Fax: (517) 484-9836

Email: CustServe@Michco.com

Web site: www.Michco.Com

Parts Web site: www.FloorMachineParts.Com

Order Parts on Line at:

www.FloorMachineParts.Com

Directly to Parts & Service:

By Email: **Shop@Michco.com**

By Fax: (517) 702-2041

By Voice: Use numbers above.

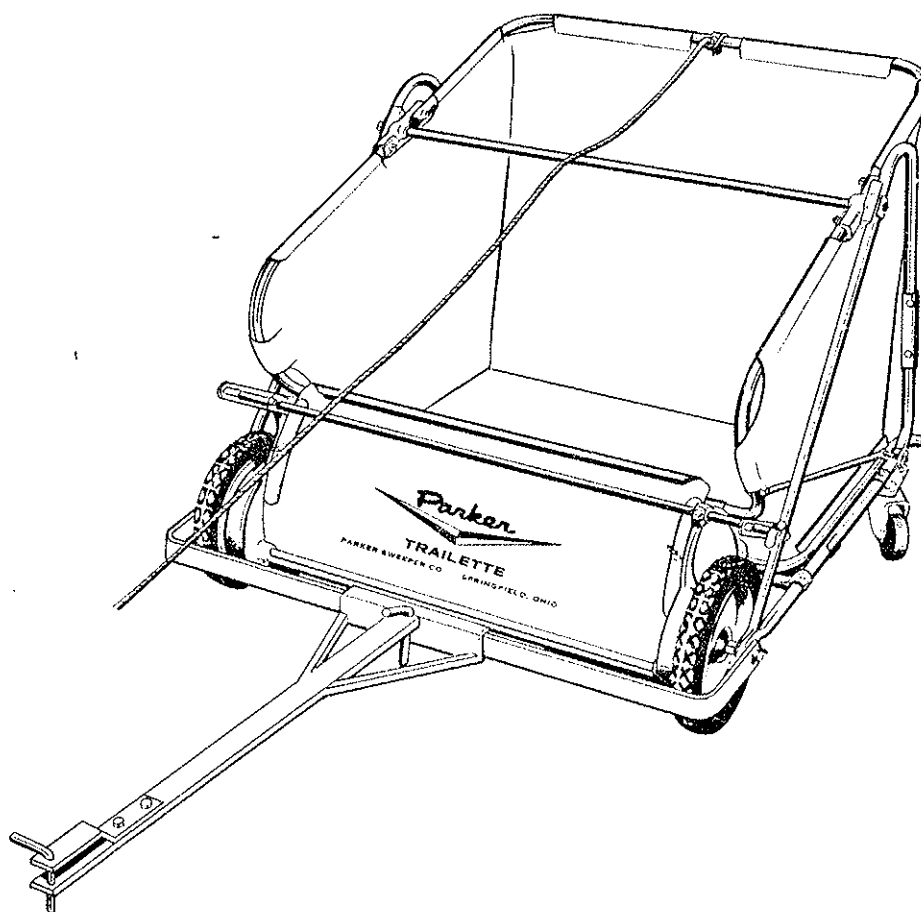
Serving the Cleaning Industry Since 1922

Notice: All copyrighted material remains property of original owners, all trademarks are property of respective owners. Manuals are subject to Manufacturer's reproduction limitations. Originals or reproductions were provided by manufacturers through a request. We make no warranty as to the correctness of information provided in this document and you assume all risk. By placing these manuals on line we are not declaring our corporation to be an manufacturer authorized dealer or provider, please check our web site for authorized manufacturers we represent.

ASSEMBLY INSTRUCTIONS
OPERATING INSTRUCTIONS
AND PARTS LIST
FOR



TE-6430 A TRAILETTE
30" LAWN SWEEPER



NOTICE: These instructions were written to assist you in assembling your Trailette Lawn Sweeper quickly and correctly. Read instructions thoroughly before attempting assembly so that you are familiar with the complete procedure.

PARKER SWEEPER COMPANY
BOX 1728

45501-
SPRINGFIELD, OHIO-1728

ASSEMBLY INSTRUCTIONS

1. Raise upper frame (see Fig. 1) until end sits on end of lower frame.
2. Position two rounded brackets at Point A, Fig. 1, and hold with two short bolts and two nuts. Assemble opposite side similarly and tighten nuts.

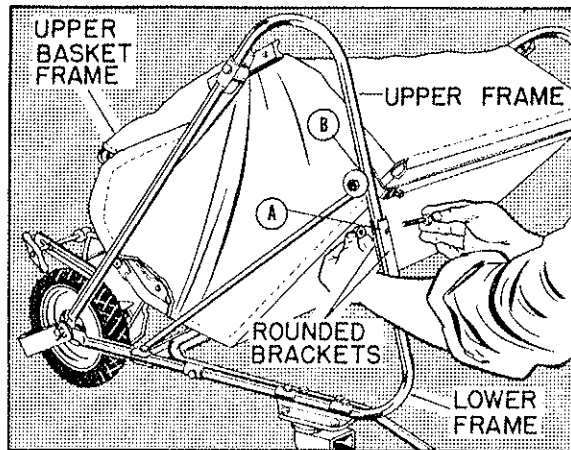


Fig. 1

3. At Point B, Fig. 1, release basket bottom from behind upper frame.
4. Swing upper basket frame (see Fig. 1) over to rear of sweeper.
5. Position lower basket frame onto aluminum casting at Point C, Fig. 2. Insert long bolt through hole and add short rounded bracket and nut. Assemble opposite side similarly and tighten nuts.
6. Remove nut at Point D, Fig. 3. Position end of long straight bar onto bolt and replace nut. Assemble opposite side similarly and tighten nuts.
7. Turn to Fig. 4 (Hitch Assembly). Remove Ref. 4 from short heavy pin, Ref. 6. Position hitch onto Ref. 6 and lock in place with Ref. 4.

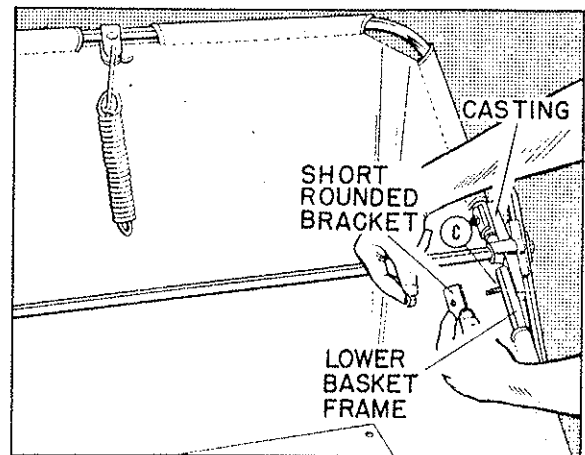


Fig. 2

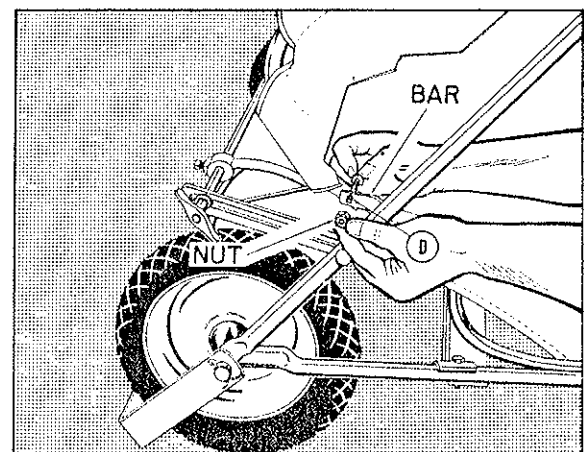


Fig. 3

OPERATING INSTRUCTIONS

Brush Height Adjustment. Loosen large wing nut, Ref. No. 24, Fig. 2. To raise brushes to extreme height, pull sweeping unit forward as far as slots in brush adjustment brackets, Ref. No. 1, Fig. 2, will permit. To lower brushes to lowest position, push sweeping unit backward as far as slots will permit. Secure wing nut when desired brush adjustment is obtained.

Hood Height Adjustment. Loosen two wing nuts, Ref. No. 4, Fig. 1, and adjust hood, Ref. No. 6, to desired height. Retighten wing nuts.

1. For grass clippings or leaves, adjust hood and brushes at highest position. After trial run on lawn, should the settings be too high, lower slightly and try again until correct setting is found. Brush life may be prolonged by adjusting so contact with ground is light. The lighter the contact, the longer the wear and easier to pull.

2. For patio, sidewalk and driveway sweeping, adjust hood to bottom position. The hood is in correct position when it does not drag or throw sweepings ahead of sweeper. Also adjust brushes so they just contact cement.

NOTE: IF SWEEPER PULLS HARD, THE BRUSHES OR HOOD ARE SET TOO LOW.

Basket Dumping. The load is dumped from basket by pulling basket forward with rope, causing basket to pivot into a semi-inverted position. When load is dis-

charged, allow rope and basket to return to its normal position.

Maintenance. Place a few drops of oil into the two oilers which are located on each side plate, Ref. Nos. 7 and 17 of Fig. 1, every time the machine is used. The wheels and casters should be lubricated at the same time. A drop or two of oil should also be applied occasionally to the basket pivot block, Ref. No. 26, Fig. 3.

Care and Replacement of Brushes. The brushes used on this sweeper are made of the finest bristles that will give years of service if given proper care. Should they become bent from constant use, dampening and straightening will reset the bristles upright. It is also possible to straighten bristles by reversing the brushes on reel shaft.

To reverse or replace brushes:

1. Turn the sweeper upside down on the ground.
2. Remove the bolts which hold the brush sections to the reel shaft. Reverse and replace the brushes and retighten the bolts.

CAUTION: The brush fiber and basket material will burn if in contact with open flame. Avoid dumping basket near fire.

Basket Care. The lumite basket is impervious to moisture. However, to insure longer basket life empty after each use.

UNIT ASSEMBLY

*MP listed
5-25-94*

Figure 1

Ref. No.	Part No.	Qty. Per Unit	Description	Ref. No.	Part No.	Qty. Per Unit	Description
1	62-12-B	1	Hood Extension	19	58-05-A ✓	4	Special Washer
2	*515-10-6	3	Rd. Hd. Screw—10-24 x 3/8	20	58-140-1	2	Wheel
3	*945-516	2	Flat Washer—S.A.E. 3/8	21	53-01-B	2	Tire R/W 68-270-B
4	*351-516-20	2	Wing Nut—3/8-18	22	62-04-A ✓	1	Front Tie Rod
5	49-11-A ✓	2	Hood Clamp	23	53-20-A	2	Hub Cap
6	62-58-D	1	Hood	24	325-816	2	Hex Nut—1/2-20
7	SA-116-RC	1	Side Plate—R.H. R/W 76-338 RF	25	345-816	2	Hex Jam Nut—1/2-20
8	*346-10	3	Speed Nut—No. 10	26	58-06-A ✓	2	Sleeve
9	560-C-516-10	6	Sq. Hd. Set Screw—1/4-20 x 3/8	27	505-416-8	4	Flat Hd. Screw—1/4-20 x 1/2
10	*66-516-12	2	Sq. Hd. Bolt—3/8-18 x 3/4	28	946-1016-16	2	Fiber Washer
11	*65-416-28	4	Hex Hd. Bolt—1/4-20 x 1 1/4	29	56-18-RC A	1	Pinion Gear—R.H. (not shown)
12	62-06-A	1	Adjusting Tube	30	56-19-LCA	1	Pinion Gear—L.H. (shown) KIT
13	62-20-B	4	Brush R/W BR-10 BRUSH KIT	30	50-33-A ✓	2	Special Washer
14	53-176-D	2	Reel Guard	31	53-35-A ✓	2	Axle
15	45-25-A	2	Pinion Pawls KIT	32	48-336-A	2	Bearing R/W 68-60-A
16	62-68-A	1	Rear Tie Rod	33	365-416 ✓	4	Lock Nut—1/4-20
17	SA-117-LC	1	Side Plate—L.H. R/W 76-339 LF	34	62-21-B	1	Reel Shaft
18	56-94-B	2	Pinion Gear Cover R/W 80-01-B	35	49-17-A	4	Brush Bracket

* SA 1583-B PINION KIT
CONTAINS #'S 15 & 29

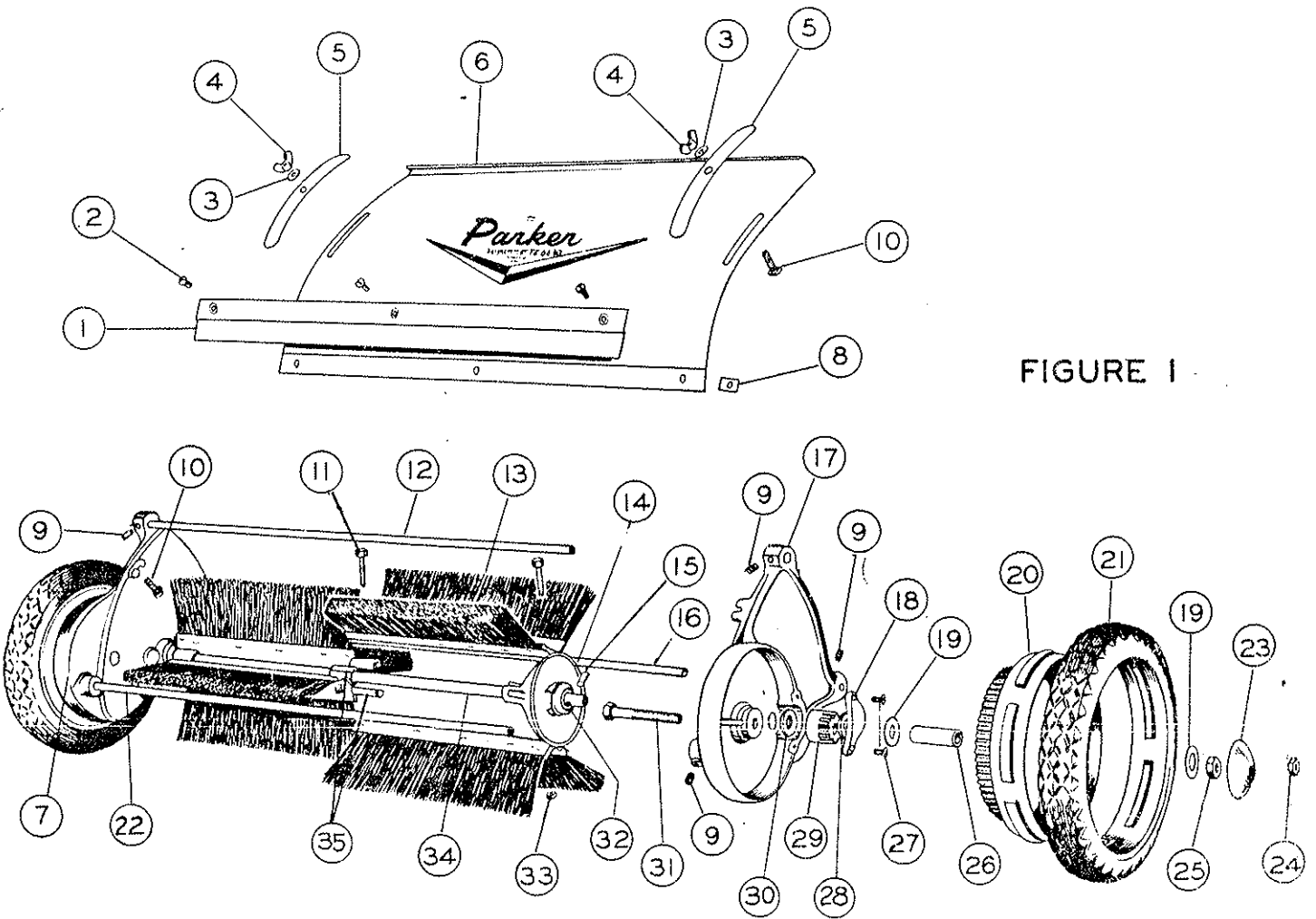


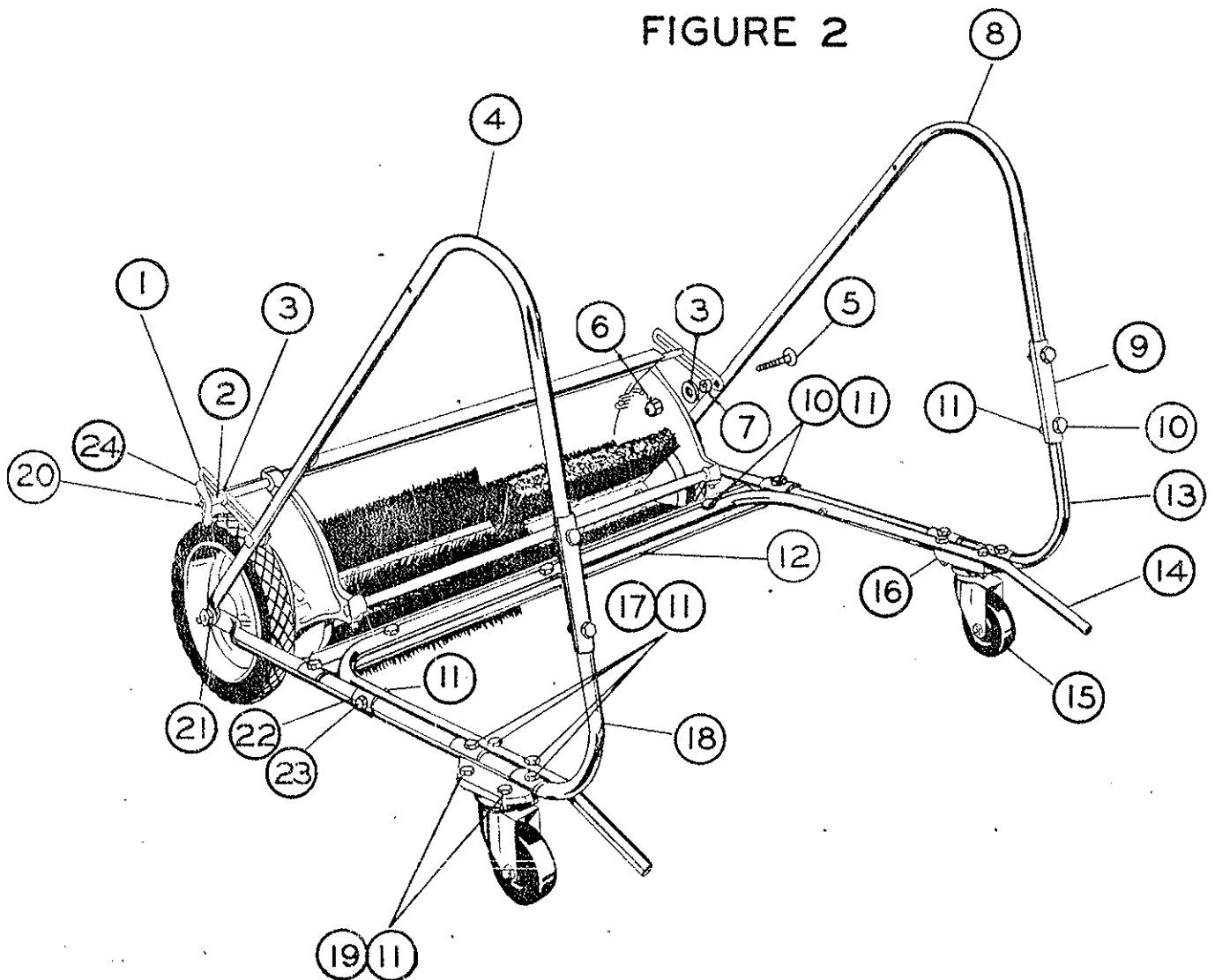
FIGURE 1

FRAME ASSEMBLY

Figure 2

Ref. No.	Part No.	Qty. Per Unit	Description	Ref. No.	Part No.	Qty. Per Unit	Description
1	59-59-A ✓	2	Brush Adjusting Bracket	13	59-65-F-1	1	Lower Frame—R.H.
2	59-14-A	1	Spacer	14	62-65-F-1	1	U Frame
3	*945-516	5	Flat Washer—S.A.E. $\frac{5}{16}$	15	58-133-A	2	Caster
4	59-64-F	1	Upper Frame—L.H.	16	59-69-B	2	Caster Plate
5	*70-516-24	2	Carriage Bolt— $\frac{5}{16}$ -18 x $1\frac{1}{2}$	17	*65-416-24	8	Hex Hd. Bolt— $\frac{1}{4}$ -20 x $1\frac{1}{2}$
6	365-516	2	Lock Nut— $\frac{5}{16}$ -18	18	59-66-F-1	1	Lower Frame—L.H.
7	54-227-A	2	Spacer	19	*65-416-12	4	Hex Hd. Bolt— $\frac{1}{4}$ -20 x $\frac{3}{4}$
8	59-63-F	1	Upper Frame—R.H.	20	62-07-A ✓	1	Adjusting Bolt
9	58-124-C ✓	4	Clamp	21	345-816	2	Hex Jam Nut— $\frac{1}{2}$ -20
10	*65-416-20	9	Hex Hd. Bolt— $\frac{1}{4}$ -20 x $1\frac{1}{4}$	22	59-77-A ✓	8	Tube Clamp
11	365-416	23	Lock Nut— $\frac{1}{4}$ -20	23	*65-416-32	2	Hex Hd. Bolt— $\frac{1}{4}$ -20 x 2
12	63-290-C	1	Tie Bar	24	351-516-40	1	Wing Nut

FIGURE 2



BASKET ASSEMBLY

Figure 3

Ref. No.	Part No.	Qty. Per Unit	Description	Ref. No.	Part No.	Qty. Per Unit	Description
1	62-60-F	1	Rear Basket Frame	16	*945-416	2	Flat Washer—S.A.E. ¼
2	*70-516-20	1	Carriage Bolt— $\frac{3}{8}$ -18 x 1½	17	62-59-F	1	Lower Basket Frame
3	*936-516	2	Lock Washer—$\frac{3}{8}$	18	62-54-B	1	Pivot Rod
4	365-516	3	Lock Nut— $\frac{3}{8}$ -18	19	59-74-LD	1	Front Basket Frame—L.H.
5	59-60-A	1	Bracket	20	62-56-C	1	Clamp
6	60-09-A✓	1	Rope	21	*515-416-6	4	Rd. Hd. Screw—¼-20 x ¾
7	62-61-F	1	Basket Canvas	22	*346-416	4	Speed Nut—¼
8	*65-416-24	4	Hex Hd. Bolt—¼-20 x 1½	23	59-73-RD	1	Front Basket Frame—R.H.
9	365-416	6	Lock Nut—¼-20	24	59-68-B	2	Short Pivot Block <i>R/W 79-774-A</i>
10	*65-616-40	2	Hex Hd. Bolt— $\frac{3}{8}$ -16 x 2½	25	59-77-A✓	8	Tube Clamp
11	63-291-A✓	2	Spacer	26	59-62-B	2	Long Pivot Block <i>R/W 79-112-B</i>
12	*65-516-28	2	Hex Hd. Bolt— $\frac{3}{8}$ -18 x 1¼	27	63-292-A	1	Spreader
13	55-156-A	2	Special Washer <i>82-138-13-1</i>	28	*65-416-12	2	Hex Hd. Bolt—¼-20 x ¾
14	62-55-B	1	Bar	29	365-616	2	Lock Nut— $\frac{3}{8}$
15	63-293-B	2	Basket Brace	30	*65-516-24	2	Hex Hd. Bolt— $\frac{3}{8}$ -18 x 1½

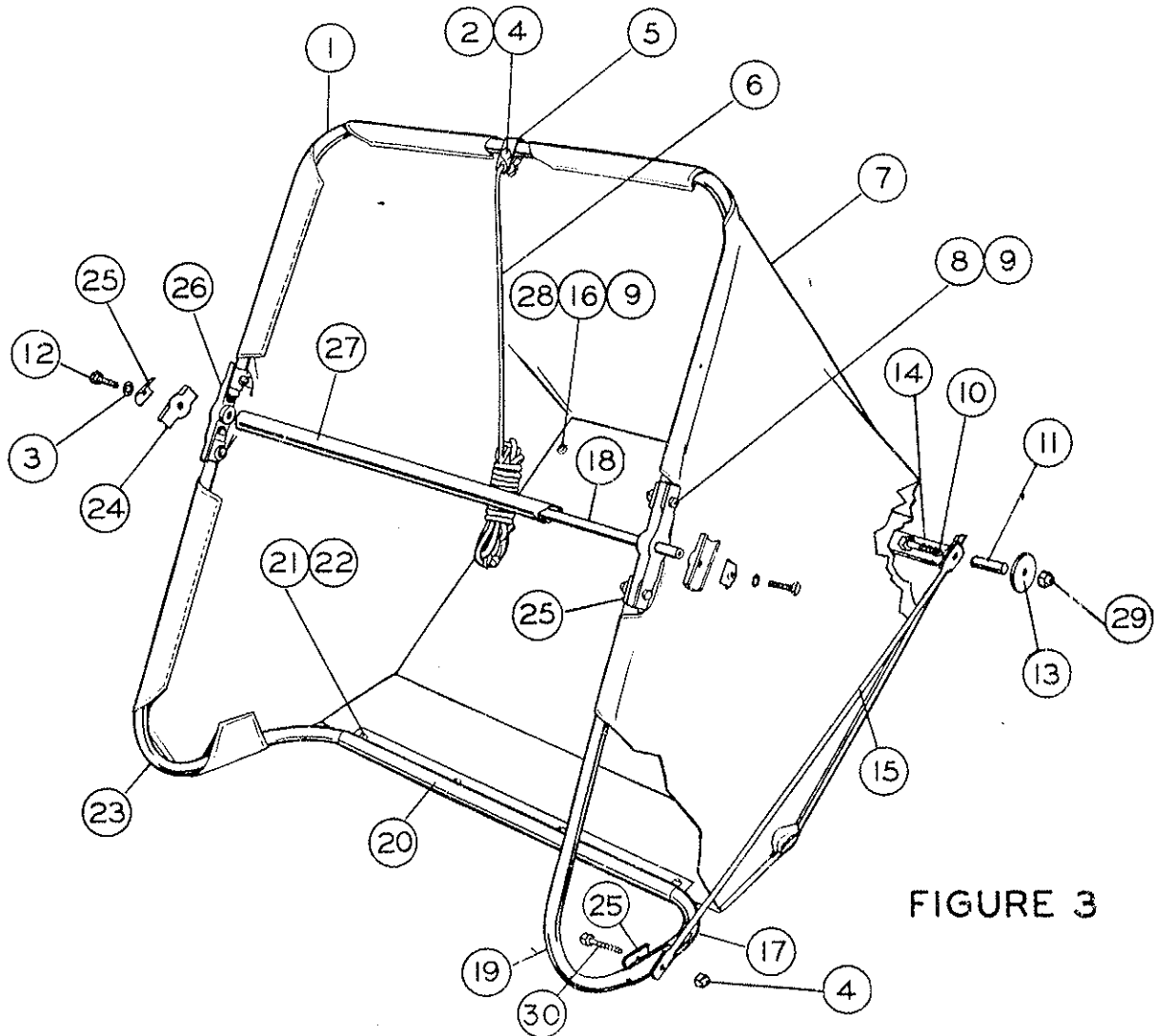


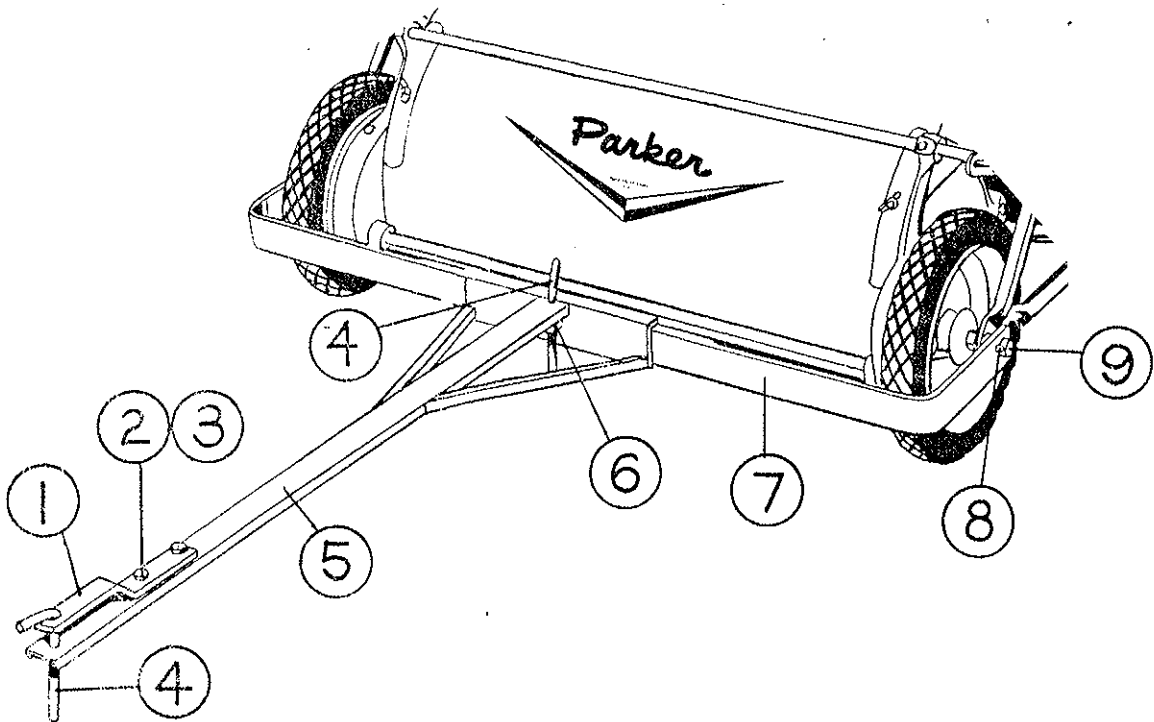
FIGURE 3

HITCH ASSEMBLY

Figure 4

Ref. No.	Part No.	Qty. Per Unit	Description	Ref. No.	Part No.	Qty. Per Unit	Description
1	58-109-B	1	Bracket	6	58-115-A	1	Swivel Pin
2	*65-516-12	2	Hex Hd. Bolt— $\frac{3}{16}$ -18 x $\frac{3}{4}$	7	62-31-D	1	Yoke
3	365-516	2	Lock Nut— $\frac{3}{16}$ -18	8	*380-432-24	2	Cotter Pin— $\frac{1}{8}$ x $1\frac{1}{2}$
4	58-113-A	2	Coupling Pin <i>R/W 81-14-A</i>	9	53-198-A	2	Axle Extension
5	58-110-D	1	Tongue				

FIGURE 4



IMPORTANT

ALWAYS GIVE THE FOLLOWING INFORMATION WHEN ORDERING REPAIR PARTS:

- PART NUMBER (Not Ref. No.)
- QUANTITY NEEDED
- DESCRIPTION OF PART
- SERIAL No. (Found on Guarantee Card)
- MODEL No. (TE-6430)

If you are unable to obtain parts locally, write to the factory for the name of nearest service dealer.

Your unit is right hand (R.H.) or left hand (L.H.) as you stand behind it.

*Standard hardware items may be purchased locally (see Parts List)

TRAILLETTE TRAILER SWEEPER	SIZE 30"	PRODUCTION YEAR 1967	MODEL No. TE-6430-A
---------------------------------------	--------------------	--------------------------------	-------------------------------

BASKET ASSEMBLY

Figure 3

Ref. No.	Part No.	Qty. Per Unit	Description	Ref. No.	Part No.	Qty. Per Unit	Description
1	62-60-F	1	Rear Basket Frame	16	*945-416	2	Flat Washer—S.A.E. ¼
2	*70-516-20	1	Carriage Bolt— $\frac{3}{8}$ -18 x 1½	17	62-59-F	1	Lower Basket Frame
3	*936-516	2	Lock Washer— $\frac{3}{8}$	18	62-54-B	1	Pivot Rod
4	365-516	3	Lock Nut— $\frac{3}{8}$ -18	19	59-74-LD	1	Front Basket Frame—L.H.
5	59-60-A	1	Bracket	20	62-56-C	1	Clamp
6	60-09-A	1	Rope	21	*515-416-6	4	Rd. Hd. Screw—¼-20 x ¾
7	62-61-F	1	Basket Canvas	22	*346-416	4	Speed Nut—¼
8	*65-416-24	4	Hex Hd. Bolt—¼-20 x 1½	23	59-73-RD	1	Front Basket Frame R.H.
9	365-416	6	Lock Nut—¼-20	24	59-68-B	2	Short Pivot Block <i>rlw 79-176-A</i>
10	*65-616-40	2	Hex Hd. Bolt— $\frac{3}{8}$ -16 x 2½	25	59-77-A	8	Tube Clamp
11	63-291-A	2	Spacer	26	59-62-B	2	Long Pivot Block <i>rlw 79-112-B</i>
12	*65-516-28	2	Hex Hd. Bolt— $\frac{3}{8}$ -18 x 1½	27	63-292-A	1	Spreader
13	55-156-A	2	Special Washer 82-138-B-1	28	*65-416-12	2	Hex Hd. Bolt—¼-20 x ¾
14	62-55-B	1	Bar	29	365-616	2	Lock Nut— $\frac{3}{8}$
15	63-293-B	2	Basket Brace	30	*65-516-24	2	Hex Hd. Bolt— $\frac{3}{8}$ -18 x 1½

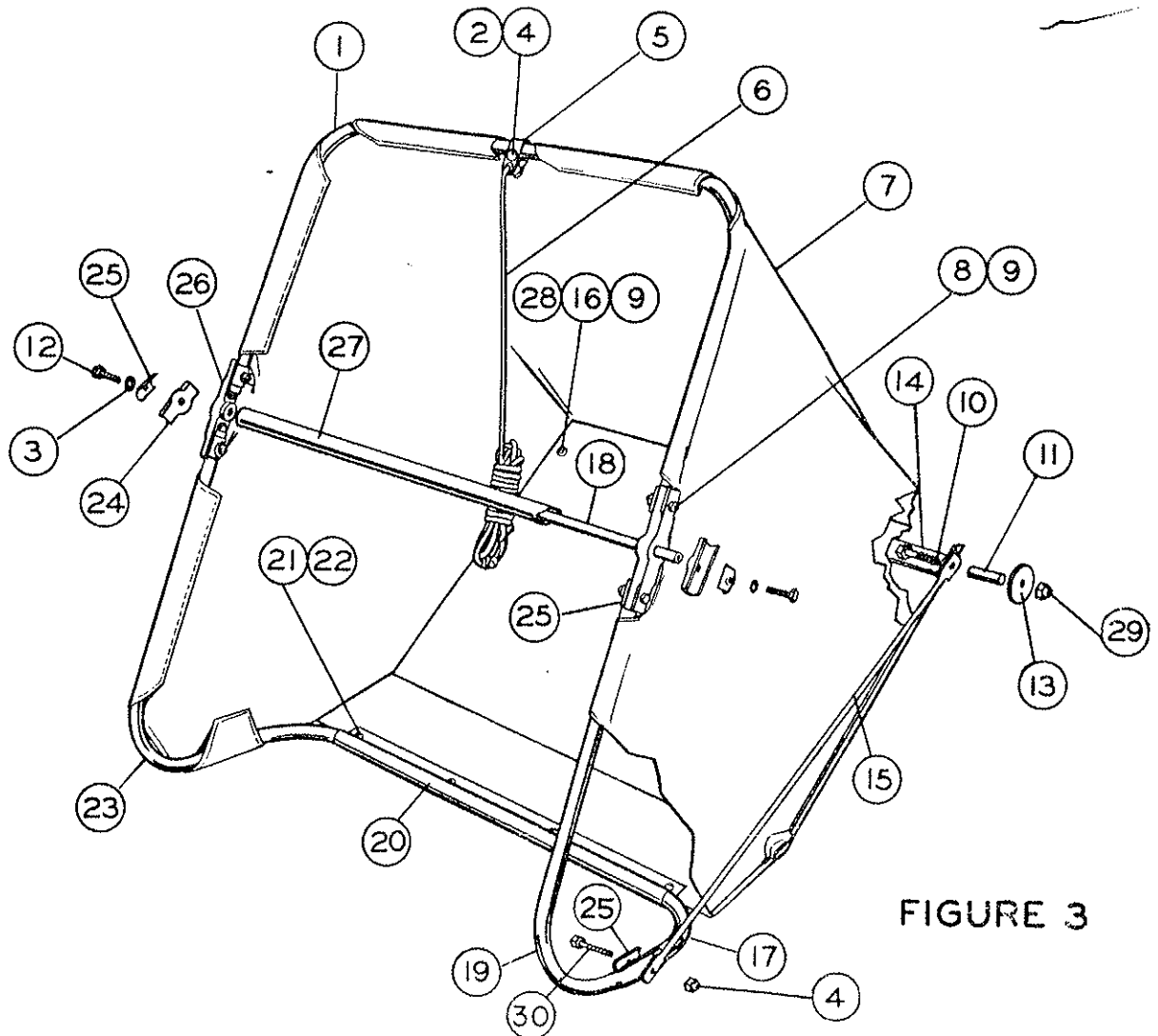


FIGURE 3

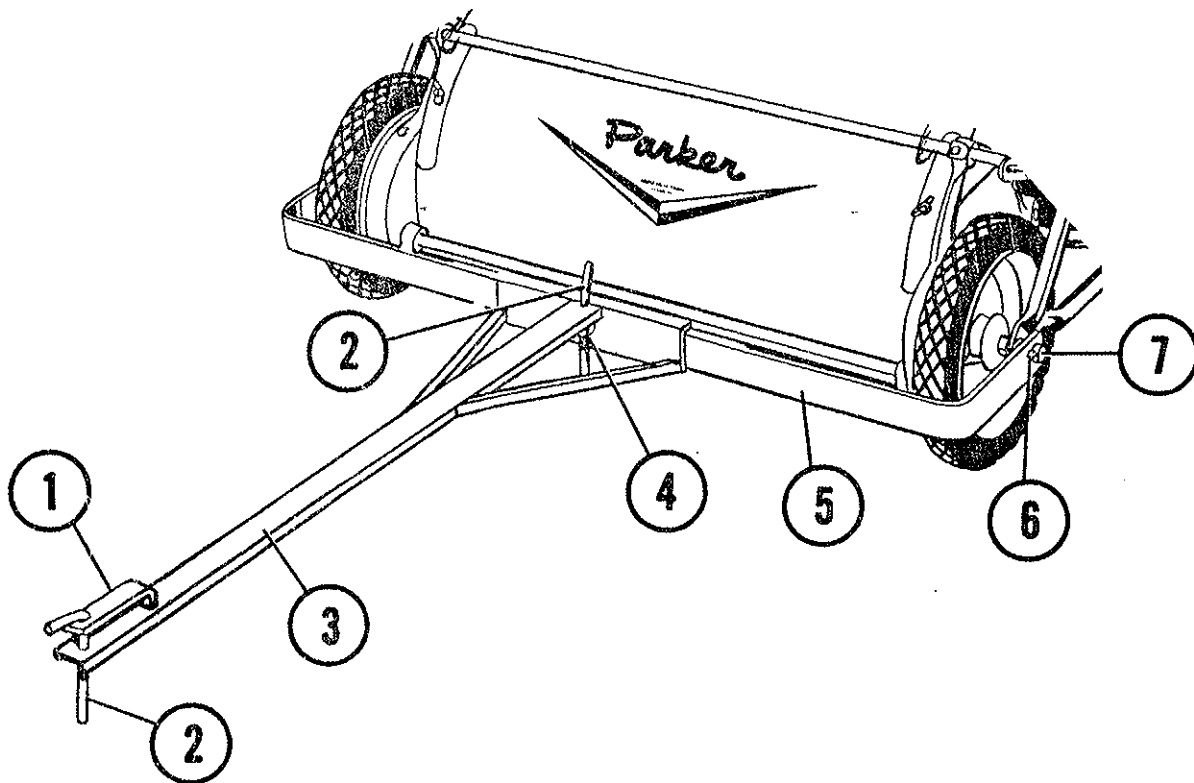
HITCH ASSEMBLY

Figure 4

Ref. No.	Part No.	Qty. Per Unit	Description
1	58-109-B	1	Bracket
2	58-113-A	2	Hitch Pin <i>R/W 81-14-A</i>
3	58-110-D	1	Tongue
4	58-115-A	1	Swivel Pin

Ref. No.	Part No.	Qty. Per Unit	Description
5	62-31-D	1	Yoke
6	*380-432-24	2	Cotter Pin— $\frac{1}{8}$ x $1\frac{1}{2}$
7	53-198-A	2	Axle Extension

FIGURE 4



TRAILLETTE TRAILER SWEEPER	SIZE 30"	PRODUCTION YEAR 1967	MODEL No. TE-6430-A
---------------------------------------	--------------------	--------------------------------	-------------------------------

UNIT ASSEMBLY

Figure 1

Ref. No.	Part No.	Qty. Per Unit	Description	Ref. No.	Part No.	Qty. Per Unit	Description
1	62-12-B	1	Hood Extension	19	58-05-A	4	Special Washer
2	*515-10-8	3	Rd. Hd. Screw—10-24 x 1/2	20	58-14C D-1	2	Wheel
3	*945-516	2	Flat Washer—S.A.E. 3/8	21	53-01-B	2	Tire R/W 68-270-B
4	*351-516-20	2	Wing Nut—3/8-18	22	62-04-A	1	Front Tie Rod <i>OK 62-04-A</i>
5	49-11-A	2	Hood Clamp	23	53-20-A	2	Hub Cap
6	62-13-D	1	Hood <i>R/W 62-53-D</i>	24	*325-816	2	Hex Nut 1/2-20
7	SA-116-RC	1	Side Plate—R.H. <i>R/W 76-338-RF</i>	25	345-816	2	Hex Jam Nut—1/2-20
8	*346-10	3	Speed Nut—No. 10	26	58-06-A	2	Sleeve
9	560-516-10	6	Sq. Hd. Set Screw—1/4-20 x 3/8	27	*505-416-8	4	Flat Hd. Screw—1/4-20 x 1/2
10	*66-516-12	2	Sq. Hd. Bolt—3/8-18 x 3/4	28	946-1016-16	2	Fiber Washer
11	*65-416-28	4	Hex Hd. Bolt—1/4-20 x 1 1/4	29	56-18-RC-A	1	Pinion Gear—R.H. (not shown)
12	62-06-A	1	Adjusting Tube	30	56-19-LC-A	1	Pinion Gear—L.H. (shown)
13	62-20-B	4	Brush <i>FBK-10</i>	31	50-33-A	2	Special Washer
14	53-176-D	2	Reel Guard	32	53-35-A	2	Axle
15	*45-25-A	2	Pinion Pawls	33	48-336-A	2	Bearing <i>R/W 68-60-A</i>
16	62-68-A	1	Rear Tie Rod	34	365-416	4	Lock Nut—1/2-20
17	SA-117-LC	1	Side Plate—L.H. <i>R/W 76-338-LF</i>	35	62-21-B	1	Reel Shaft
18	56-94-B	2	Pinion Gear Cover <i>R/W 80-01-A</i>		49-17-A	4	Brush Bracket

* 15 + 29
NOW COME IN A KIT ONLY
SA-1583-B

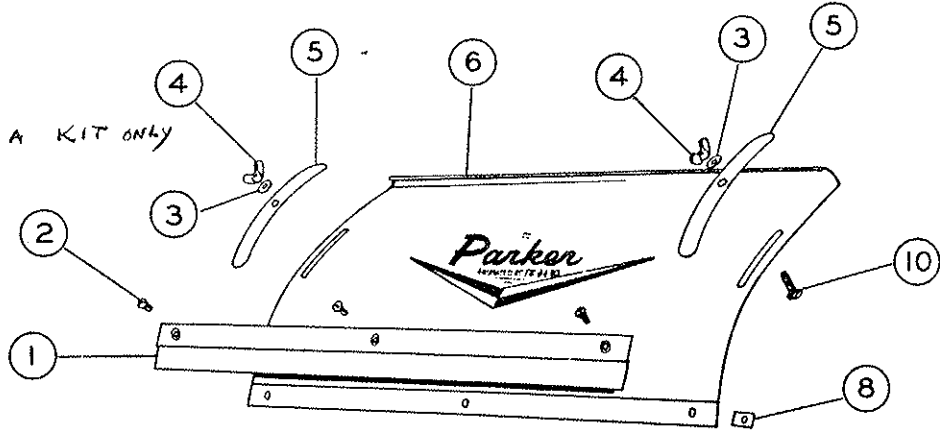
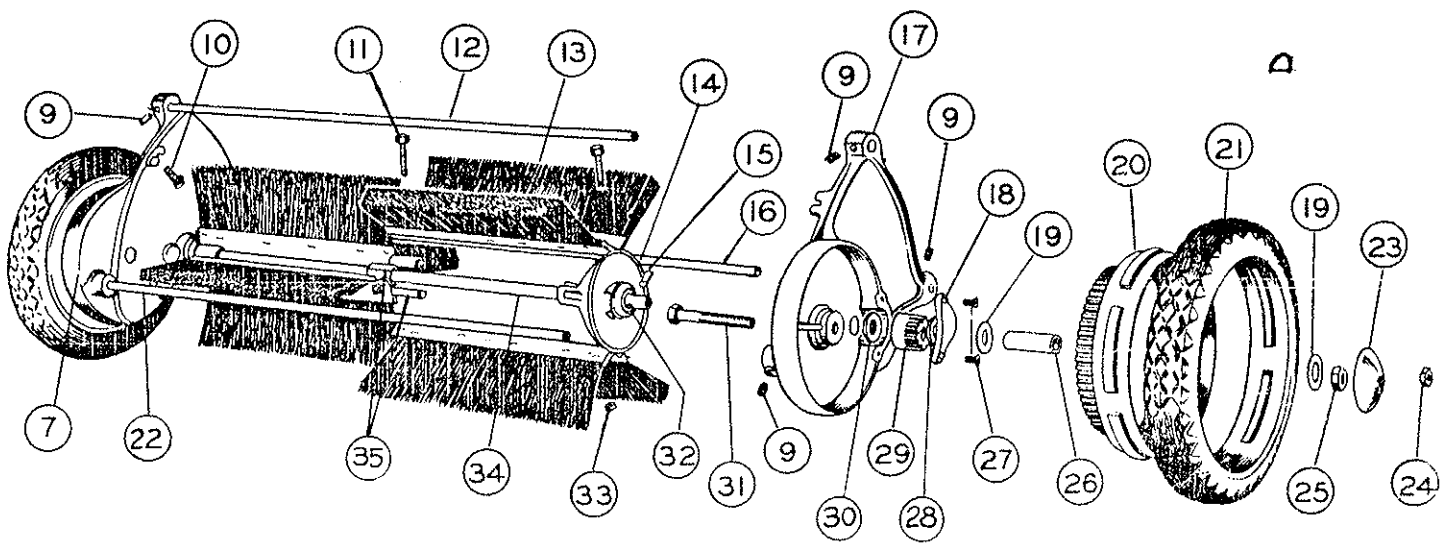


FIGURE 1



FRAME ASSEMBLY

Figure 2

Ref. No.	Part No.	Qty. Per Unit	Description
1	59-59-A	2	Brush-Adjusting-Bracket <i>OK</i>
2	59-14-A	1	Spacer
3	*945-516	5	Flat Washer—S.A.E. $\frac{3}{8}$
4	59-64-LF	1	Upper Frame L.H.
5	*70-516-24	2	Carriage Bolt— $\frac{3}{8}$ -18 x $1\frac{1}{2}$
6	365-516	2	Lock Nut— $\frac{3}{8}$ -18
7	54-227-A	2	Spacer
8	59-63-RF	1	Upper Frame R.H.
9	58-124-C	4	Clamp—Handle
10	*65-416-20	9	Hex Hd. Bolt— $\frac{1}{4}$ -20 x $1\frac{1}{4}$
11	365-416	23	Lock Nut— $\frac{1}{4}$ -20
12	63-290-C	1	Tie-Bar

Ref. No.	Part No.	Qty. Per Unit	Description
13	59-65-RF	1	Lower Frame R.H.
14	62-65-F-1	1	Frame Bottom Basket
15	58-133-A	2	Caster
16	59-69-B	2	Caster Plate
17	*65-416-24	8	Hex Hd. Bolt— $\frac{1}{4}$ -20 x $1\frac{1}{2}$
18	59-66-LF	1	Lower Frame L.H.
19	*65-416-12	4	Hex Hd. Bolt— $\frac{1}{4}$ -20 x $\frac{3}{4}$
20	62-07-A	1	Adjusting Bolt
21	345-816	2	Hex Jam Nut—$\frac{1}{4}$-20 <i>GOOD IT</i>
22	59-77-A	8	Tube Clamp
23	*65-416-32	2	Hex Hd. Bolt— $\frac{1}{4}$ -20 x 2
24	351-516-40	1	Wing Nut

FIGURE 2

