



Electronic Service Manuals

This electronic document is provided as a service to our customers. We do not create the contents of the information contained in this document. Should you have detailed questions pertaining to the information contained in this document, you may contact Michco, or the manufacturer which provided the original information in this electronic deliverable. Michco's only part in this electronic deliverable was the electronic assembly process. By providing this manual on line we are not guaranteeing parts availability.

You may contact Michco through the following methods:

Phone (517) 484-9312 or (800) 331-3339

2011 N. High St. -- Lansing, Michigan -- 48906

Fax: (517) 484-9836

Email: CustServe@Michco.com

Web site: www.Michco.Com

Parts Web site: www.FloorMachineParts.Com

Order Parts on Line at:

www.FloorMachineParts.Com

Directly to Parts & Service:

By Email: **Shop@Michco.com**

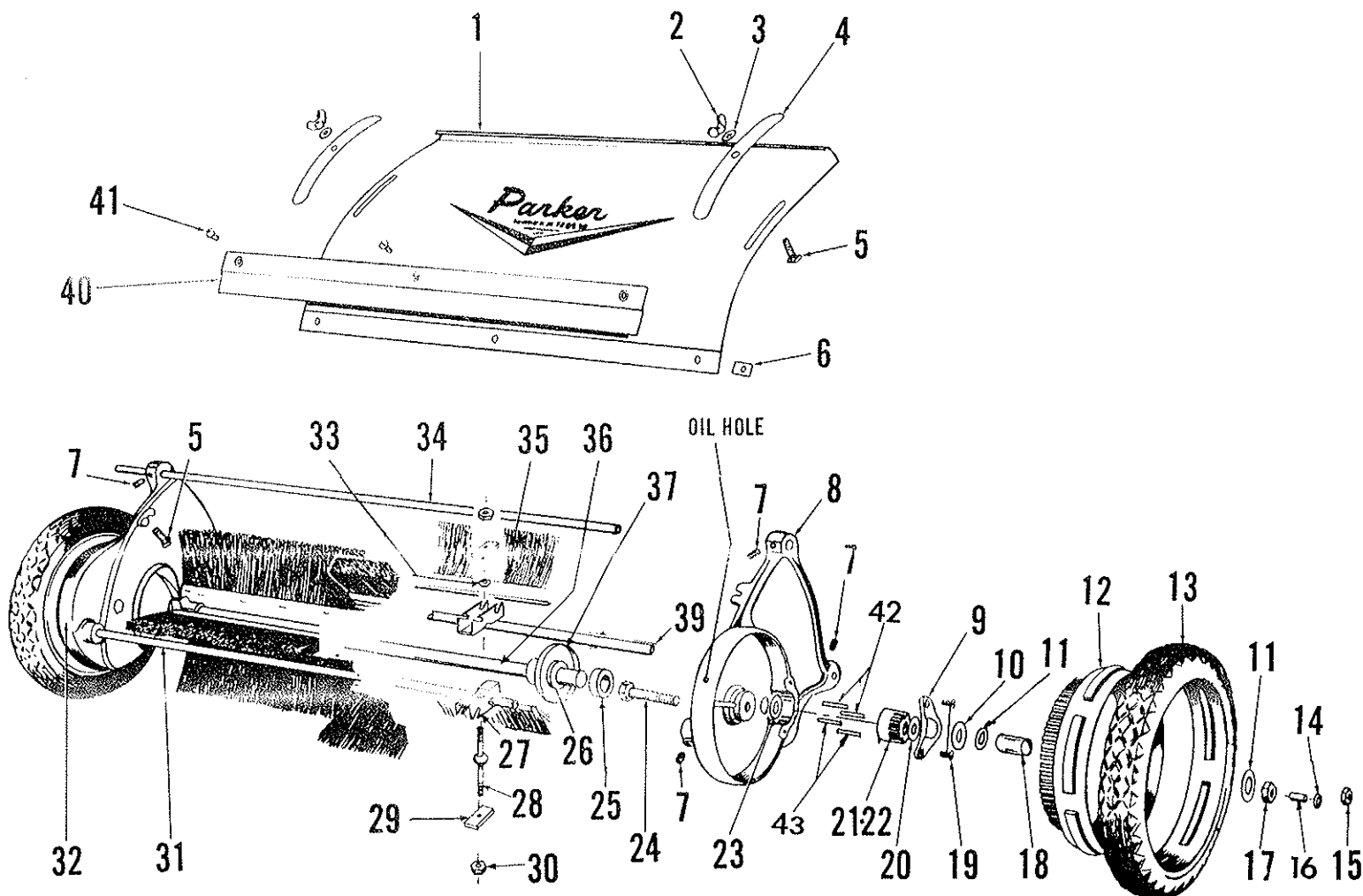
By Fax: (517) 702-2041

By Voice: Use numbers above.

Serving the Cleaning Industry Since 1922

Notice: All copyrighted material remains property of original owners, all trademarks are property of respective owners. Manuals are subject to Manufacturer's reproduction limitations. Originals or reproductions were provided by manufacturers through a request. We make no warranty as to the correctness of information provided in this document and you assume all risk. By placing these manuals on line we are not declaring our corporation to be an manufacturer authorized dealer or provider, please check our web site for authorized manufacturers we represent.

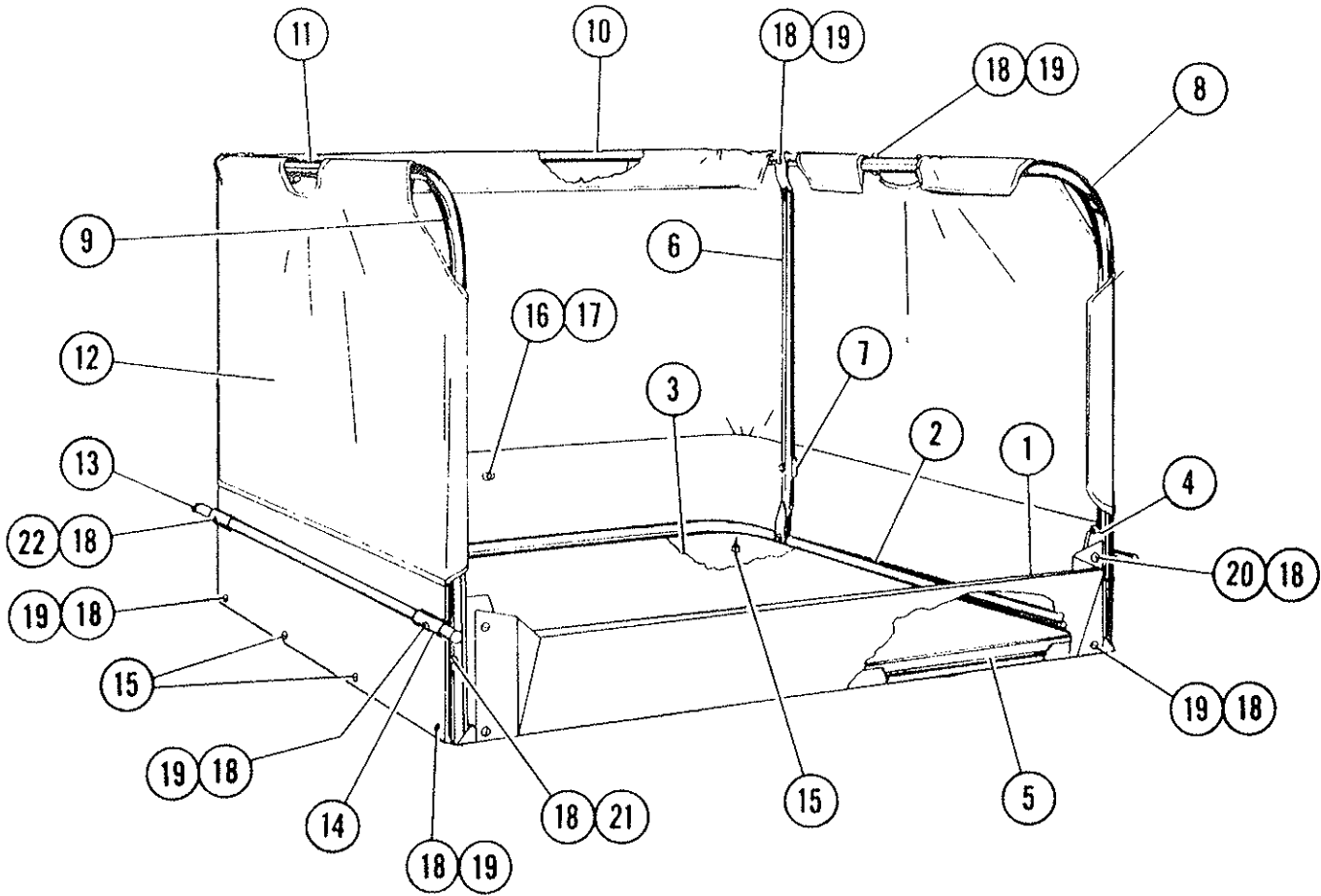
SWEEPER UNIT ASSEMBLY



PARTS LIST

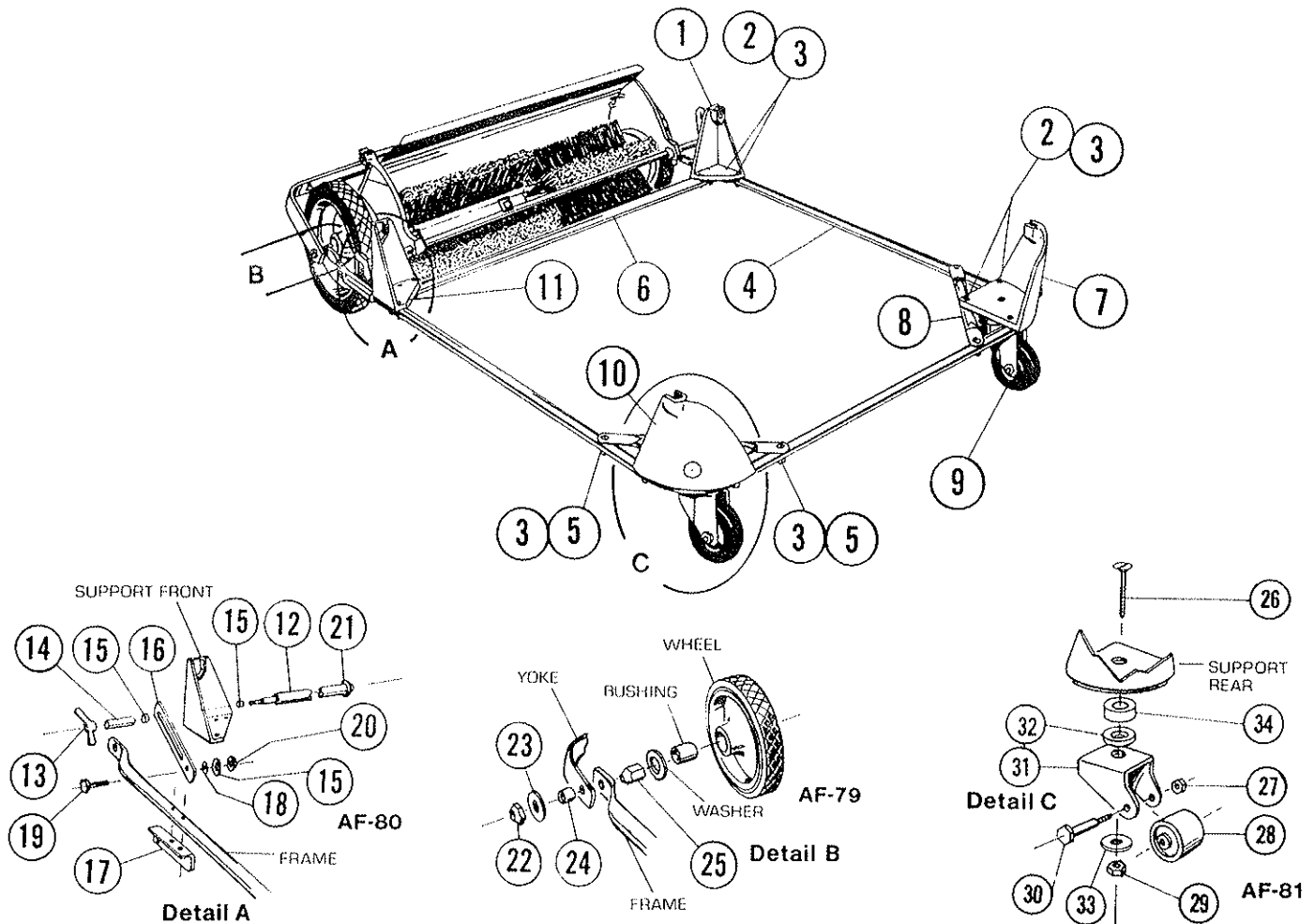
AF-220

Ref. No.	Part No.	Qty. Per Unit	Description of Part	Ref. No.	Part No.	Qty. Per Unit	Description of Part
1	77-120	1	Hood, Suburbanite <i>90-03</i>	22	74-78 *	1	Right Hand Pinion
2	351-516-20	2	Wing Nut 5/16-18	23	50-33-A	2	Special Washer
3	945-516	3	Plain Washer 5/16	24	53-35-A	2	Axle
4	49-11-A	2	Hood Clamp	25	68-60-A	2	Ball Bearing
5	65-516-12	2	Hexagon Cap Screw 5/16-18x3/4	27	74-13-C	8	Brush Bracket
6	346-10	5	Speed Nut #10-24	28	74-16-A	4	Brush Stud
7	560-C-516-10	6	Set Screw 5/16-18 x 3/4	29	69-04-A	8	Brush Clamp
8	76-339-LF	1	Left Hand Side Plate	30	362-416	8	Hexagon Lock Nut 1/4-20
9	59-94	2	Pinion Cover <i>80-01-B</i>	31	68-33-A	1	Front Tie Rod
10	946-816-16	2	Fiber Washer	32	76-338-RF	1	Right Hand Side Plate
11	58-05-A	4	Special Washer	33	75-89-A	4	Retainer
12	58-14-D-1	2	Wheel	34	68-34-A	1	Top Tie Rod
13	75-88-C	2	Tire	35	1200-17-B	8	Brush Strip
14	945-816	2	Plain Washer 1/2	36	79-103-B	1	Reel Shaft
15	368-816	2	Hexagon Jam Nut 1/2-20	37	74-166-B	2	Dust Cover
16	68-44-A	2	Axle Spacer	39	68-35A	1	Adjusting Tube
17	363-816	2	Hexagon Lock Nut 1/2-20	40	68-37	1	Hood Extension <i>see 90-03</i>
18	58-06-A	2	Sleeve	41	515-10-8	5	Round Head Machine Screw #10-24 x 1/2
19	505-416-18	4	Flat Head Screw 1/4-20 x 1/2	42	74-80 *	4	Roller
20	946-1016-16	2	Fiber Washer	43	76-37 *	4	Tube
21	74-79 *	1	Left Hand Pinion				
*	SA-1580-B	1	<i>PINION KIT CONTAINS ALL * ITEMS</i>				



REF. NO.	PART NO.	QTY. PER UNIT	DESCRIPTION OF PART	REF. NO.	PART NO.	QTY. PER UNIT	DESCRIPTION OF PART
1	68-40-C	1	Extension-Lower Front	14	63-289-A	4	Reinforcement
2	68-54-F	1	Frame-Basket Bottom	15	534-14-8	15	Screw-Sheet Metal-Washer Hex Hd.
3	68-53-E	1	Bottom-Basket	16	515-416-6	1	Screw-Rd. Hd. 1/4-20 x 3/8
4	58-52-C	2	Bracket-Frame	17	346-416	1	Speed Nut 1/4
5	68-55-B	1	Tube-Front Basket	18	365-416	16	Nut-Lock 1/4-20
6	58-125-B	2	Support-Frame	19	65-416-20	4	Bolt-Hex Hd. 1/4-20 x 1 1/4
7	59-77-A	2	Tube Clamp	20	65-416-12	2	Bolt-Hex Hd. 1/4-20 x 3/4
8	58-121-LC	1	Frame-Basket, Front Top L.H.	21	65-416-24	14	Bolt-Hex Hd- 1/4-20 x 1 1/2
9	58-122-RC	1	Frame-Basket, Front Top R.H.	22	65-416-28	2	Bolt-Hex Hd. 1/4-20 x 1 1/4
10	68-56-E	1	Tube-Rear Top Basket	23	69-416-20	4	Bolt Cont. Hd. 1/4-20 x 1 1/4
11	58-124-C	4	Clamp-Handle	24	335-416	4	Nut-Hex Plain 1/4-20
12	SA-802-D	1	Basket-Sub Assembly	25	945-416	4	Washer-Plain 1/4
13	58-126-B	2	Support Rod	26	936-416	4	Washer-I. T. Lock 1/4

BASKET SUPPORT FRAME ASSEMBLY

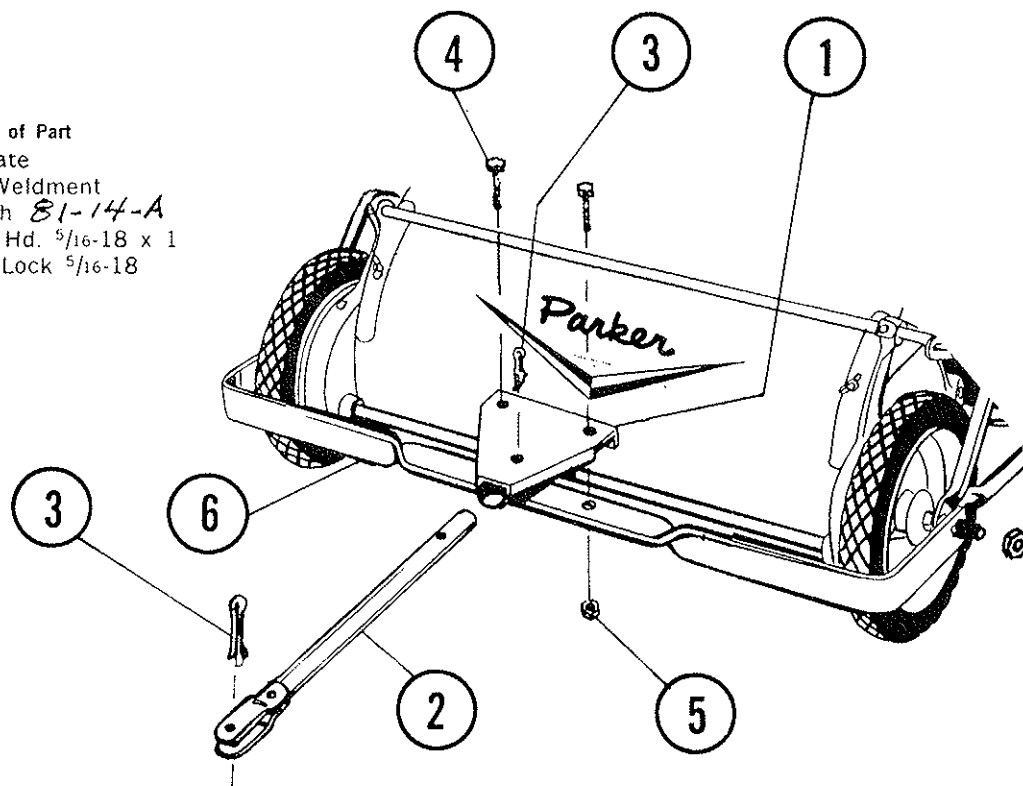


PARTS LIST

Ref. No.	Part No.	Qty. Per Unit Description	Ref. No.	Part No.	Qty. Per Unit Description
1	58-53-RC	1 Support-Front R.H.	19	65-516-12	2 Bolt-Hex Hd. 5/16-18 x ¾
2	505-416-24	14 Screw-Flat Hd. ¼-20 x 1½	20	365-516	4 Nut-Lock 5/16-18
3	365-416	18 Nut-Lock ¼-20	21	945-616	1 Washer ¾
4	68-41-D	1 Frame-Basket Support	DETAIL B,		
5	65-416-20	4 Bolt-Hex Hd. ¼-20 x 1 ¼	22	368-816	2 Nut-hex, Self Lock (Thin) ½-20
6	68-43-B	1 Support-Tubular	23	945-816	2 Washer-Flat SAE ½
7	58-51-RE	1 Support-Rear Corner R.H.	24	68-44-A	2 Spacer-Axle
8	58-118-B	2 Brace	25	363-816	2 Nut-Hex, Elastic Stop ½-20 Ref.
9	SA-578-B	2 Caster Assembly	DETAIL C,		
10	58-50-LE	1 Support-Rear Corner L.H.	26	505-516-32	2 Screw-Flat Hd. 5/16-18 x 2
11	58-54-LC	1 Support-Front Corner L.H.	27	365-416	2 Hexagon Locknut ¼-20
DETAIL A,			28	76-58-A	2 Roller
12	68-59-A	1 Bolt-Special	29	365-516	2 Hexagon Locknut 5/16-18
13	73-71-A	1 Nut-Wing 5/16-18 x 2 ½	30	76-202-A	2 Axle
14	60-58-A	1 Spacer	31	76-136-B	2 Fork
15	945-516	5 Washer-Flat 5/16	32	78-130-A	2 Bearing
16	59-59-A	2 Bracket-Brush Adjustment	33	50-230	2 Washer Ø2-130-B-1
17	68-31-B	2 Support Angle	34	76-325-A	2 Spacer
18	54-227-A	2 Spacer			

PARTS LIST

Ref. No.	Part No.	Qty. Per Unit	Description of Part
1	75-40-B	1	Hitch Plate
2	75-32-B	1	Tongue Weldment
3	74-75-A	2	Pin-Clinch <i>81-14-A</i>
4	65-516-16	2	Bolt-Hex Hd. $\frac{5}{16}$ -18 x 1
5	365-516	2	Nut-Hex Lock $\frac{5}{16}$ -18
6	75-134-B	1	Yoke



ALWAYS GIVE THE FOLLOWING INFORMATION WHEN ORDERING REPAIR PARTS:

- | | |
|-------------------------------|------------------------|
| 1. PART NUMBER (Not Ref. No.) | 3. DESCRIPTION OF PART |
| 2. QUANTITY NEEDED | 4. MODEL No. SU-7636 |

If unable to obtain parts locally, write down above information and send to:
PARKER SWEEPER CO., BOX 1728, SPRINGFIELD, OHIO 45501

Your unit is right hand (R.H.) or left hand (L.H.) as you stand behind it.

IMPORTANT