



Electronic Service Manuals

This electronic document is provided as a service to our customers. We do not create the contents of the information contained in this document. Should you have detailed questions pertaining to the information contained in this document, you may contact Michco, or the manufacturer which provided the original information in this electronic deliverable. Michco's only part in this electronic deliverable was the electronic assembly process. By providing this manual on line we are not guaranteeing parts availability.

You may contact Michco through the following methods:

Phone (517) 484-9312 or (800) 331-3339

2011 N. High St. -- Lansing, Michigan -- 48906

Fax: (517) 484-9836

Email: CustServe@Michco.com

Web site: www.Michco.Com

Parts Web site: www.FloorMachineParts.Com

Order Parts on Line at:

www.FloorMachineParts.Com

Directly to Parts & Service:

By Email: **Shop@Michco.com**

By Fax: (517) 702-2041

By Voice: Use numbers above.

Serving the Cleaning Industry Since 1922

Notice: All copyrighted material remains property of original owners, all trademarks are property of respective owners. Manuals are subject to Manufacturer's reproduction limitations. Originals or reproductions were provided by manufacturers through a request. We make no warranty as to the correctness of information provided in this document and you assume all risk. By placing these manuals on line we are not declaring our corporation to be an manufacturer authorized dealer or provider, please check our web site for authorized manufacturers we represent.



ESTATE MASTER

MODEL EM-82100

MA-475-D ESTATE MASTER HITCH

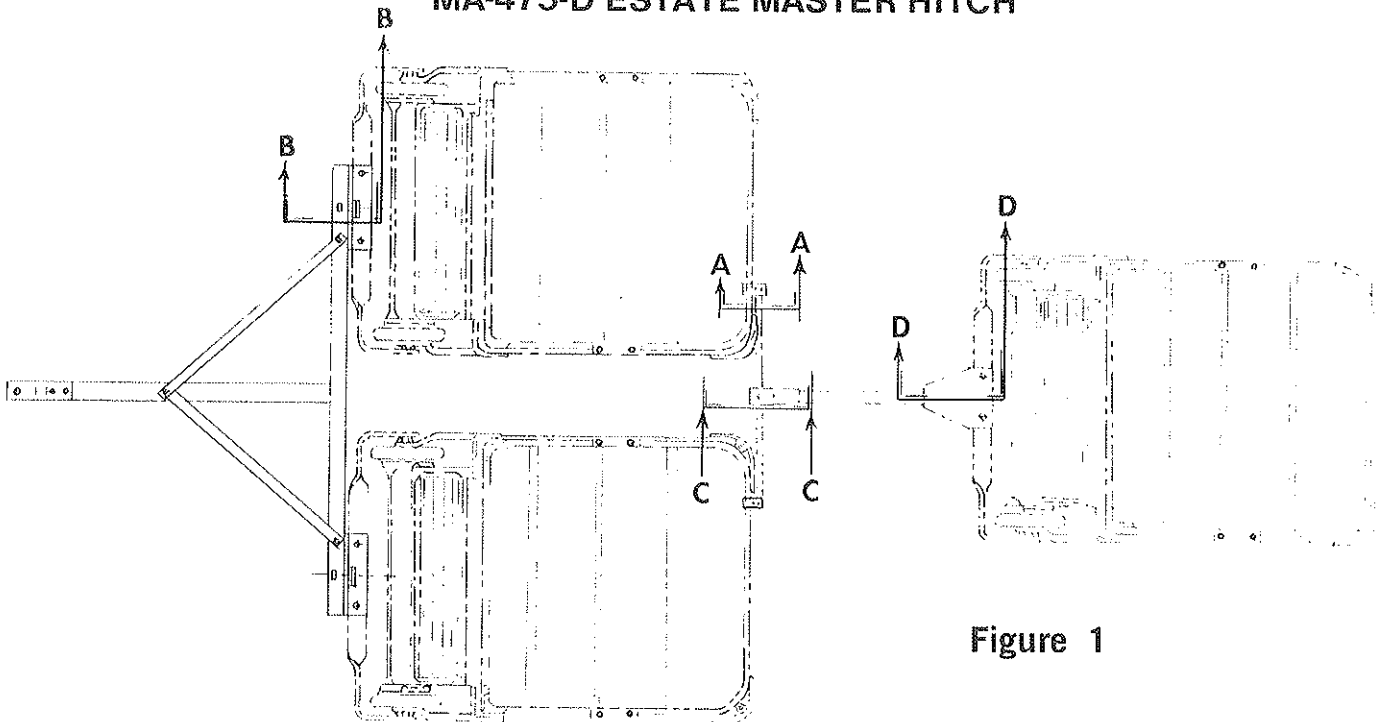
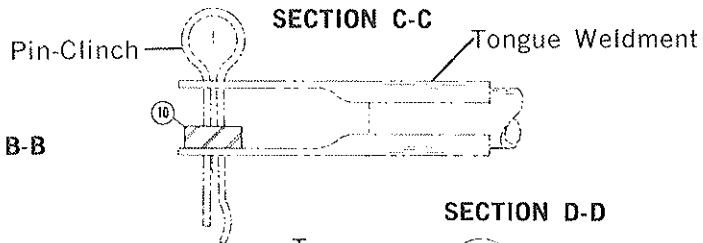
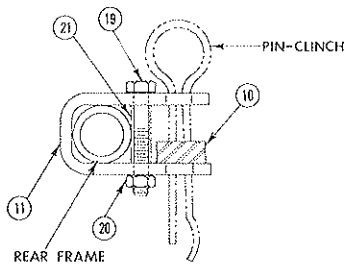
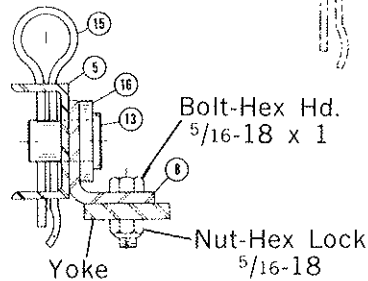


Figure 1

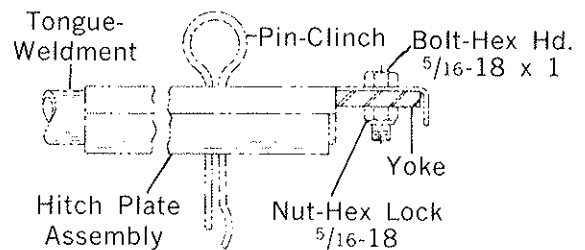
SECTION A-A



SECTION B-B



SECTION D-D



ALWAYS GIVE THE FOLLOWING INFORMATION WHEN ORDERING REPAIR PARTS:

IMPORTANT

- | | |
|-------------------------------|------------------------|
| 1. PART NUMBER (Not Ref. No.) | 3. DESCRIPTION OF PART |
| 2. QUANTITY NEEDED | 4. MODEL NO. EM-82100 |

If unable to obtain parts locally, write down above information and send to:
 PARKER SWEEPER CO., BOX 1728, SPRINGFIELD, OHIO 45501-1728

Your unit is right hand (R.H.) or left hand (L.H.) as you stand behind it.

ASSEMBLY INSTRUCTIONS AND PARTS LIST

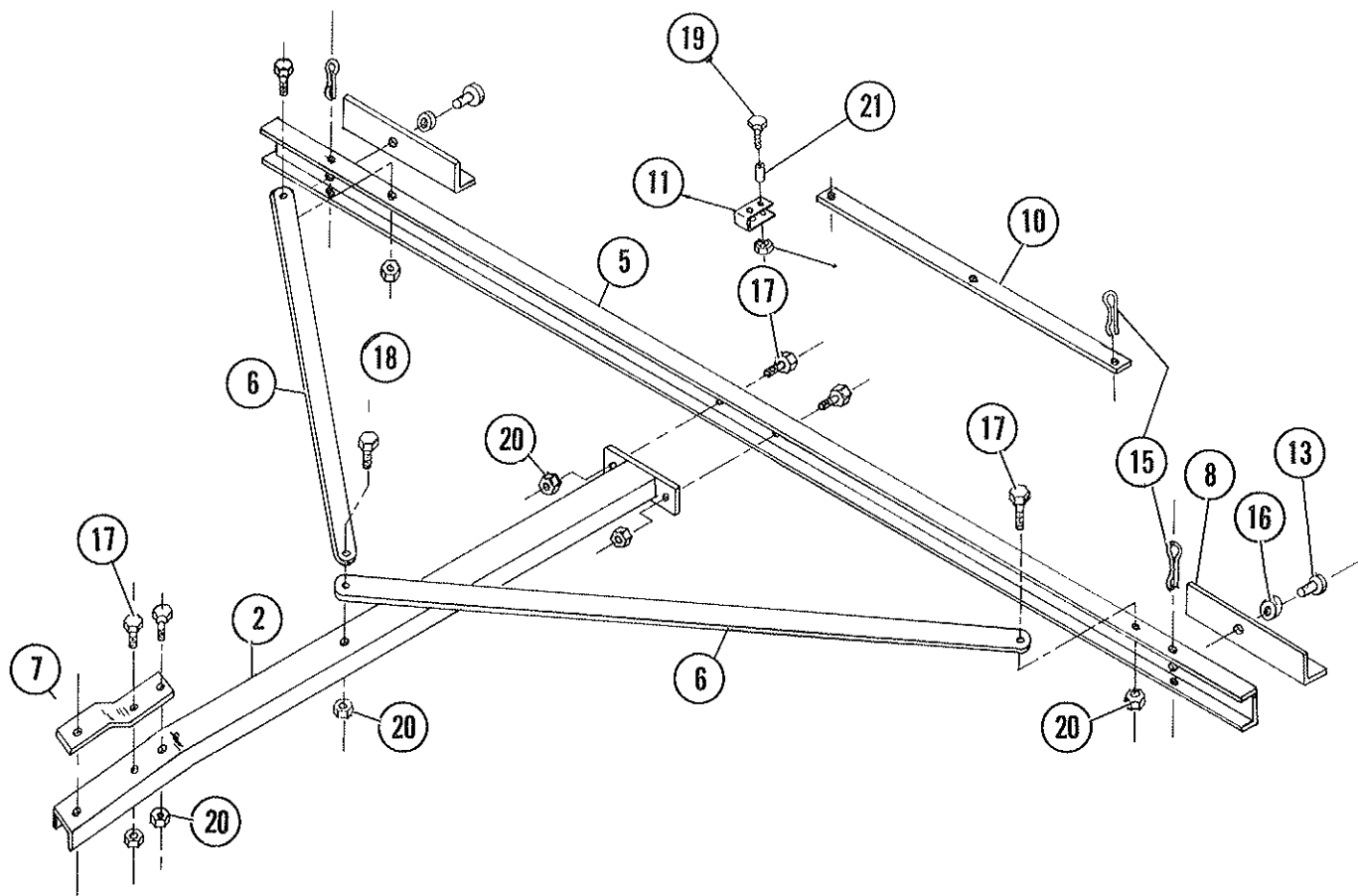


Figure 2

PARTS LIST

Ref. No.	Part No.	Qty. Per Unit	Description	Ref. No.	Part No.	Qty. Per Unit	Description
2	76-51-B	1	Tongue Weldment				
5	68-73-C	1	Draw Bar				
6	76-50-B	2	Brace				
7	58-107-B	1	Bracket				
8	76-48-B	2	Bracket				
10	82-46-A	1	Link				
11	82-47-B	2	Bracket				
							Plastic Bag to contain:
				13	68-71-A	2	Pin Swivel
				15	81-14-A	4	Pin Clinch
				16	64-134-A	2	Spacer
				17	65-516-16	6	Bolt, Hex. Hd. 5/16-18x1
				18	65-516-20	1	Bolt, Hex. Hd. 5/16-18x1¼
				19	65-516-32	2	Bolt, Hex. Hd. 5/16-18x2
				20	365-516	9	Nut, Hex. Lock 5/16-18
				21	80-238-A	2	Insert

ASSEMBLY INSTRUCTIONS

Ref. Fig. 2: Using the Bolts and Nuts shown, attach Bracket (Item 7) to the Tongue Weldment (Item 2).

Attach the Tongue Weldment (Item 2) to the Draw Bar (Item 5).

Ref. Fig. 1, Section B-B: Attach the Hitch Assembly to the Sweeper Yokes using the Bolts and Nuts from the Sweeper's single Tongue Weldment (Hitch).

Ref. Fig. 1, Section C-C: Attach the single Tongue Weldment (Hitch) to the Link Bar (Item 10) using a Clinch Pin.

Section D-D shows single Tongue Weldment attached to the Link Bar (Item 10).