



Electronic Service Manuals

This electronic document is provided as a service to our customers. We do not create the contents of the information contained in this document. Should you have detailed questions pertaining to the information contained in this document, you may contact Michco, or the manufacturer which provided the original information in this electronic deliverable. Michco's only part in this electronic deliverable was the electronic assembly process. By providing this manual on line we are not guaranteeing parts availability.

You may contact Michco through the following methods:

Phone (517) 484-9312 or (800) 331-3339

2011 N. High St. -- Lansing, Michigan -- 48906

Fax: (517) 484-9836

Email: CustServe@Michco.com

Web site: www.Michco.Com

Parts Web site: www.FloorMachineParts.Com

Order Parts on Line at:

www.FloorMachineParts.Com

Directly to Parts & Service:

By Email: **Shop@Michco.com**

By Fax: (517) 702-2041

By Voice: Use numbers above.

Serving the Cleaning Industry Since 1922

Notice: All copyrighted material remains property of original owners, all trademarks are property of respective owners. Manuals are subject to Manufacturer's reproduction limitations. Originals or reproductions were provided by manufacturers through a request. We make no warranty as to the correctness of information provided in this document and you assume all risk. By placing these manuals on line we are not declaring our corporation to be an manufacturer authorized dealer or provider, please check our web site for authorized manufacturers we represent.

INSTRUCTIONS AND PARTS LIST

FOR



Lawn Beauty® Spreaders

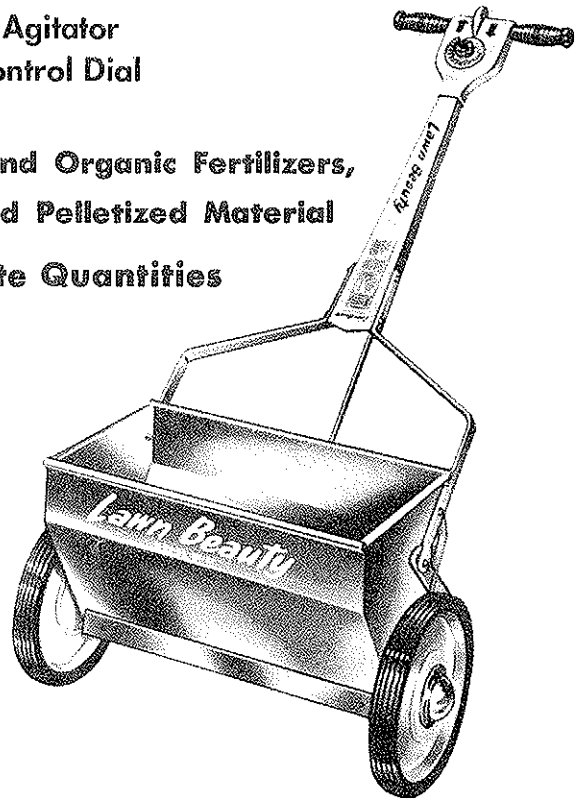
Models LB-6818 and LB-6818-S
LB-6824 and LB-6824-S

Note: Suffix "s" indicates Stainless Steel Hopper Bottom and Slide. Also Stainless Steel Slide is optional for Standard Models at additional cost.

Patented Cam Action Agitator
and Exclusive Rate Control Dial

**Spreads ... All Types of Chemical and Organic Fertilizers,
Grass Seeds, Lime, Granular and Pelletized Material
Accurately, Uniformly, in Adequate Quantities**

**IS SIMPLE AND EASY TO
ASSEMBLE — ADJUST
OPERATE — CLEAN**



NOTICE: These instructions were written to assist you in assembling and operating your *Lawn Beauty* quickly and correctly. Read instructions thoroughly before attempting assembly and/or operating machine so that you are familiar with the complete procedure and safety precautions.

PARKER SWEEPER COMPANY

BOX 720

SPRINGFIELD, OHIO 45501

Lawn Beauty IS SIMPLE AND EASY TO

ASSEMBLE - ADJUST - OPERATE - CLEAN

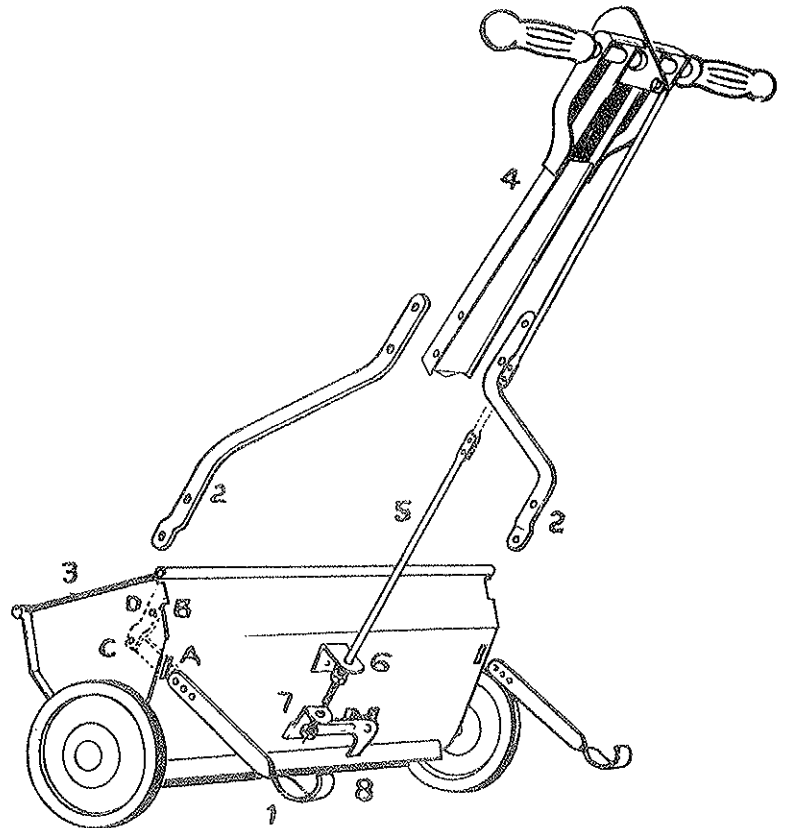
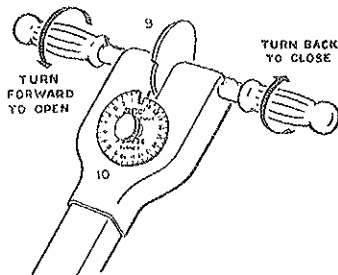
How To Assemble . . .

Models LB-6818 and LB-6818-S
LB-6824 and LB-6824-S

1. Leg 1 goes through slot A. Handle brace 2 fits notch B and overlaps leg at hole C. Bolt through hopper with $\frac{3}{4}$ " x $\frac{1}{4}$ " bolt. Use the $\frac{5}{8}$ " x $\frac{1}{4}$ " bolt for bolting handle brace through hole D. (Lockwashers and nuts go on inside of hopper.)
2. Attach the other leg and handle brace in same manner.
3. Place handle 4, between braces 2. Bolt together, using one 3 " x $\frac{1}{4}$ " bolt, and one $3 \frac{1}{4}$ " x $\frac{1}{4}$ " bolt.
4. Insert threaded end of connecting rod 5 through hole in clip 6. Screw on nut one inch and slide rod into angle clip 7 and screw on second nut. You now have a nut on each side of clip 7 as shown. Bolt other end of rod 5 to connecting rod on handle using two $\frac{1}{2}$ " x $\frac{5}{16}$ " screws with attached lockwashers. Tighten securely.

How To Adjust . . .

Set rate control dial 10 so that position No. 19 is at the top. Tighten the knob and turn handle forward until regulator cam 9 contacts dial at position No. 19. With dial and regulator cam in this position, adjust nuts on each side of clip 7 so that bottom slide 8 moves to exact maximum rectangular opening. At this point, tighten both nuts securely.



How To Operate . . .

Determine rate setting by consulting chart on handle. Rate adjustment is made by loosening the knob on rate dial and rotating dial until desired number is in line with regulator cam 9. Tighten the knob. Close spreader before filling hopper. Hold handles forward while spreading.

Set adjustable baffle in hopper at best height for material being spread. Lower position for free flowing material. Upper position for organic fertilizer, peat moss, etc. (Baffleplate not shown in diagram. It is on inside of hopper.)

Bolt adjustable legs at proper height to clear the ground for your individual operating angle.

CLEAN THOROUGHLY AFTER EACH USE

Your Lawn Beauty spreader is a precision-built machine designed to give you years of satisfactory service. As with all quality machines, it does require care--a few minutes servicing after each use will assure you a perfect spreader for perfect spreading.

1. First empty the hopper of all materials . . . CAUTION . . . do not dump on lawn or ground.
2. Remove knob at regulator dial; LIFT OFF REGULATOR DIAL AND REMOVE ALUMINUM DISC. The aluminum disc is installed to prevent accidental disengaging of the bottom slide; IT MAY BE LEFT OFF OR REPLACED AS YOU DESIRE.
3. Replace regulator dial and knob; leave knob loose and rotate dial so that the slot lines up with the regulator cam, tighten knob.

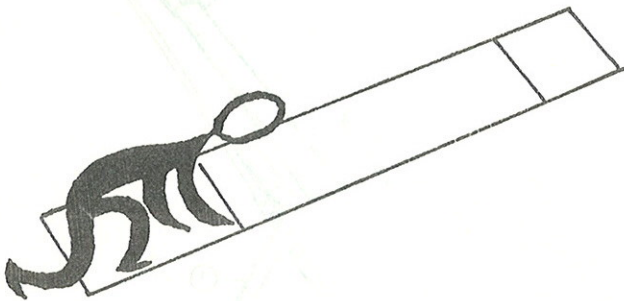
(Continued)

CLEAN THOROUGHLY AFTER EACH USE

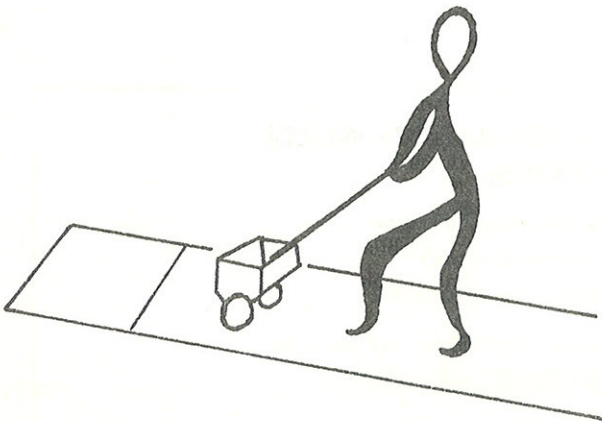
(Continued)

- Turn the handle forward so that the cam enters the cleanout slot of the dial.
- Disengage the bottom slide from the bottom of the hopper using a slight twisting motion.
- Use a dry cloth to clean inside and outside of the hopper and bottom slide. Put a light coat of oil on the outside of the bottom slide and bottom of the hopper.
- Stand spreader on ends and oil agitator and wheel bearings from the outside of the hopper.
- Assemble bottom slide to hopper by engaging rivets in key-hole slots. All rivets must be engaged or slide will not function.
- Turn handle backward to close slide.
- Loosen knob, rotate cleanout slot in dial away from cam and tighten knob.
- See Application Chart for additional information.
- If Application Chart does not show the product you want to spread, the following procedure will show you.

HOW TO FIND A DIAL SETTING NUMBER FOR YOUR LAWN BEAUTY SPREADER



- First obtain a piece of wrapping paper wider than your spreader and at least five feet longer than the test strip length indicated in paragraph 8 below.
Set this down on a level area.
- Place on the paper two heavy marks the distance apart required for your size spreader.



- Pelletized and granular fertilizers are usually applied in heavier rates per thousand square feet . . . an arbitrary dial number of 7 could be chosen for your first test for a product such as this. Many insecticides are applied in lighter rates so a good arbitrary dial setting to use for these would be 5.
- Make one pass over the test-strip, opening the slide at the first mark, and closing it securely at the second mark.



- Gather up the material just spread and weigh it.
- Multiply the weight by $2 \frac{1}{2}$; the result will be the rate in pounds per thousand square feet.

Example

Weight of material spread in one pass.. 4 oz.
Multiply $4 \times 2 \frac{1}{2}$ to equal 10 pounds,
per thousand square feet.

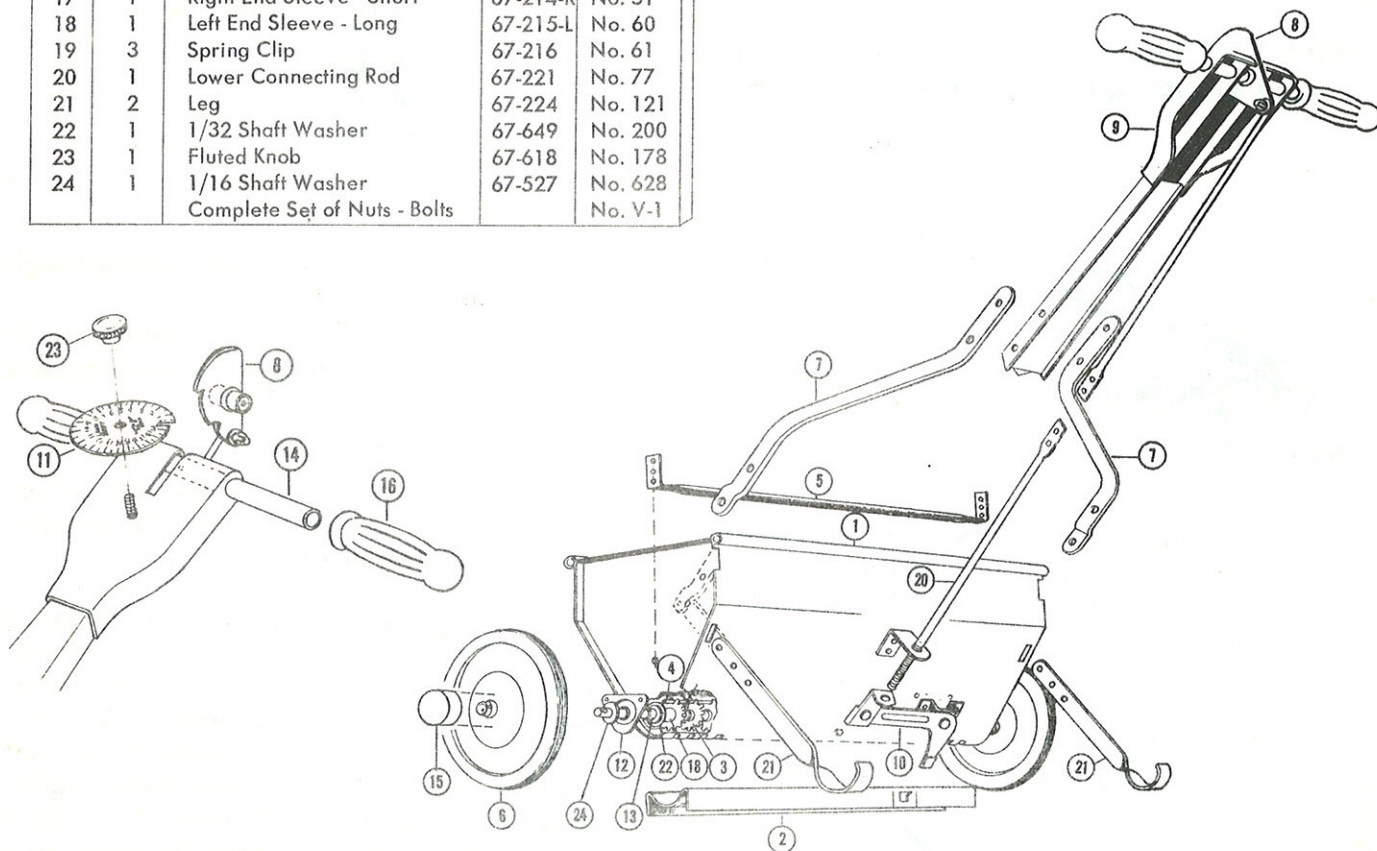
- If the rate per thousand square feet arrived at in step 6 above is different than that desired, additional passes will be required using higher or lower dial numbers; if it is too high, use a lower dial number and try another pass; if it is too low, use a higher number for an additional pass. It may take a number of trials to find the exact rate desired.

- Test Strip Lengths:

Model No.	Length
18	16' - 7"
24	12' - 9"

Replacement Parts Lists For Models LB-6818, LB-6818-S, LB-6824 & LB-6824-S

Item No.	Quan.	Name	LB-6818		LB-6818-S		LB-6824		LB-6824-S	
			Parker	Schneider	Parker	Schneider	Parker	Schneider	Parker	Schneider
1	1	Hopper	67-665	B-18	67-687	B-18	67-684	B-24	67-689	B-24
2	1	Bottom Slide	67-666	K-18	67-688	K-18	67-789	K-24	67-690	K-24
3	1	Agitator	67-201	A-18	67-201	A-18	67-244	A-24-1	67-244	A-24-1
4	1	Agitator Rod	67-232	64	67-232	64	67-251	65	67-251	65
5	1	Baffle	67-223	67	67-223	67	67-252	68	67-252	68
6	2	Wheel	67-241	909	67-241	909	67-257	910	67-257	910
7	2	Handle Brace	67-238	172	67-238	172	67-254	173	67-254	173
8	1	Regulator Cam With Conn. Rod	67-668	No. E	These parts are used on all of the above models.					
9	1	Handle	67-670	No. G-1						
10	1	Slide Lever And Bracket	67-667	No. T						
11	1	Regulator Dial	67-204	No. 5						
12	2	Hopper End Plate	67-205	No. 6						
13	2	Oilite End Bearing	67-635	No. 20						
14	1	Handle Bar	67-210	No. 21						
15	2	Hüb Cap	67-242	No. 911						
16	2	Rubber Grip	67-614	No. 32						
17	1	Right End Sleeve - Short	67-214-R	No. 51						
18	1	Left End Sleeve - Long	67-215-L	No. 60						
19	3	Spring Clip	67-216	No. 61						
20	1	Lower Connecting Rod	67-221	No. 77						
21	2	Leg	67-224	No. 121						
22	1	1/32 Shaft Washer	67-649	No. 200						
23	1	Fluted Knob	67-618	No. 178						
24	1	1/16 Shaft Washer	67-527	No. 628						
			Complete Set of Nuts - Bolts		No. V-1					



IMPORTANT

ALWAYS GIVE THE FOLLOWING INFORMATION WHEN ORDERING REPAIR PARTS:

- | | |
|-------------------------------|---|
| 1. PART NUMBER (Not Ref. No.) | 4. SERIAL No. (Found on Guarantee Card) |
| 2. QUANTITY NEEDED | 5. MODEL No. LB-6818-S |
| 3. DESCRIPTION OF PART | |

If unable to obtain parts locally, write down above information and send to:

PARKER SWEEPER CO., BOX 720, SPRINGFIELD, OHIO 45501

Your unit is right hand (R.H.) or left hand (L.H.) as you stand behind it.