



Electronic Service Manuals

This electronic document is provided as a service to our customers. We do not create the contents of the information contained in this document. Should you have detailed questions pertaining to the information contained in this document, you may contact Michco, or the manufacturer which provided the original information in this electronic deliverable. Michco's only part in this electronic deliverable was the electronic assembly process. By providing this manual on line we are not guaranteeing parts availability.

You may contact Michco through the following methods:

Phone (517) 484-9312 or (800) 331-3339

2011 N. High St. -- Lansing, Michigan -- 48906

Fax: (517) 484-9836

Email: CustServe@Michco.com

Web site: www.Michco.Com

Parts Web site: www.FloorMachineParts.Com

Order Parts on Line at:

www.FloorMachineParts.Com

Directly to Parts & Service:

By Email: **Shop@Michco.com**

By Fax: (517) 702-2041

By Voice: Use numbers above.

Serving the Cleaning Industry Since 1922

Notice: All copyrighted material remains property of original owners, all trademarks are property of respective owners. Manuals are subject to Manufacturer's reproduction limitations. Originals or reproductions were provided by manufacturers through a request. We make no warranty as to the correctness of information provided in this document and you assume all risk. By placing these manuals on line we are not declaring our corporation to be an manufacturer authorized dealer or provider, please check our web site for authorized manufacturers we represent.

OWNERS GUIDE

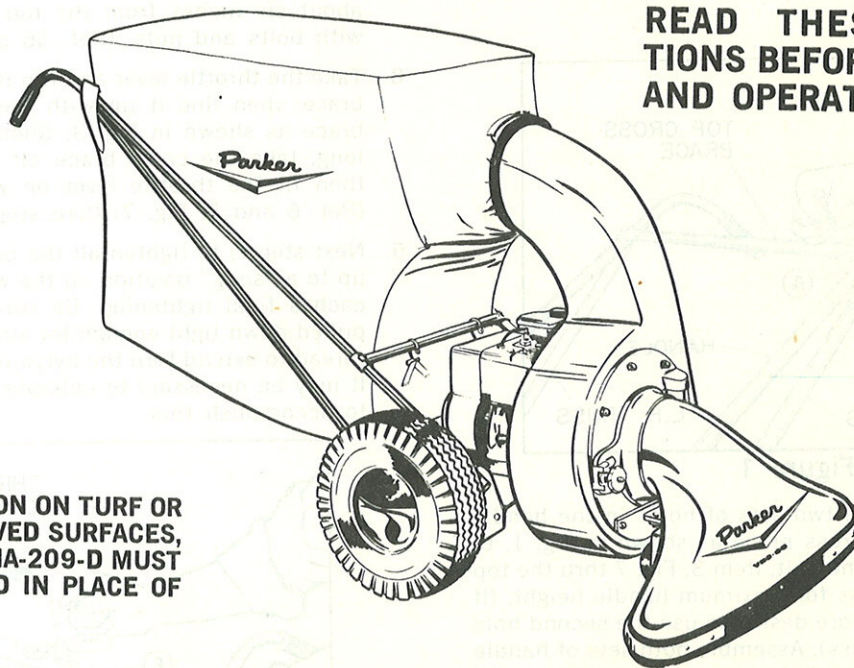


VAC-35 ENGINE POWERED

MODEL PV-6805

MODEL PV-6806-K6

MODEL PV-6806-K6-LP



READ THESE INSTRUCTIONS BEFORE SETTING UP AND OPERATING MACHINE

NOTE:
FOR OPERATION ON TURF OR OTHER UNPAVED SURFACES, ROLLER KIT MA-209-D MUST BE INSTALLED IN PLACE OF CASTER.

-Plate No. 101-

The following models of Vac-35 Vacuum Sweepers manufactured by Parker Sweeper Company, Springfield, Ohio are **FACTORY MUTUAL APPROVED**.

MODEL PV-6805

MODEL PV-6806-K6

MODEL PV-6806-K6-LP (Liquid Propane)

and entitled to place this certification mark  on the above named products.

See Factory Mutual Engineering Division report, Serial No. 19221 dated April 9, 1969.

PARKER SWEEPER COMPANY

Box 720

Springfield, Ohio 45501

ASSEMBLY INSTRUCTIONS

PV-6806-K6, PV-6806-K6-LP, PV-6805

1. Your sweeper has been shipped in two cartons; one containing the sweeper unit, dust bag and hardware. The other containing the handle. Check the contents of the hardware bag with the following packing list:
 - 4 Handle Inserts, Ref. No. 26, Fig. 7
 - 2 Bolts-Cont. HD. Ref. No. 32, Fig. 7
1/4-20 x 1 1/4
 - 2 Washer Int. Tooth Ref. No. 33, Fig. 7
1/4 Lock
 - 2 Nut-Hex Reg. Ref. No. 34, Fig. 7 1/4-20
 - 2 Hooks-Bag Ref. No. 10, Fig. 7
 - 2 Bolts-Hex Hd., Ref. No. 3, Fig. 7
1/4-20 x 1 1/4
 - 2 Nuts-Hex Lock, Ref. No. 40, Fig. 7
1/4-20 Thin Type
 - 4 Bolts-Hex Hd., Ref. No. 31, Fig. 7
5/16-18 x 1 1/4
 - 4 Nuts-Hex Lock, Ref. No. 22, Fig. 7 5/16-18
 - 2 Screws-Oval Hd., Ref. No. 7, Fig. 7
#10-24 x 1"
 - 2 Nuts-Hex Lock, Ref. No. 6, Fig. 7 #10-24
 - 2 Tube Clamps, Ref. No. 37, Fig. 7
 - 2 Screws-Rd. Hd. Mach., Ref. No. 36, Fig. 7
#8-32 x 1/2
 - 2 Nuts-Hex Lock, Ref. No. 38, Fig. 7 #8-32
2. Lay out the two handles, item 2, Fig. 7 and the two handle trusses, item 12, Fig. 7. Make sure the steel insert item 26, Fig. 7 is placed in the lower end of all four parts!

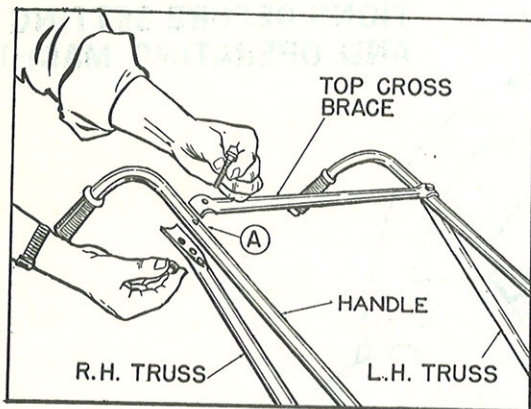


Figure 1

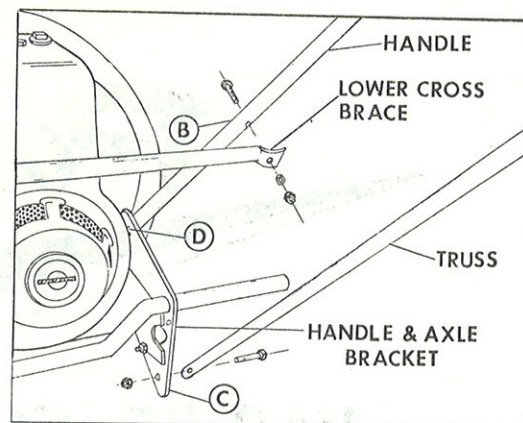


Figure 2

3. Note that there are two sets of holes in the handle truss. Attach top cross brace as shown in Fig. 1, to the handle. Place the bolt, item 3, Fig. 7 thru the top hole in handle truss for maximum handle height. (If lower position is more desirable use the second hole from the end of truss). Assemble both sets of handle and truss in the same hole location on each side. **DO NOT TIGHTEN BOLTS.**

NOTE: The Top Cross brace is provided with offset hole location for Engine Throttle. Assemble with holes closest to right side for the Briggs Engines and to the left side for Kohler Engines. Refer to Fig. 3.

4. Assemble the lower cross brace on the bottom of the two handles Ref. 11, Fig. 7, with the bolts and nuts (Ref. 32, 33 & 34, Fig. 7) as shown at point "B," Fig. 2. **DO NOT TIGHTEN.**
5. Assemble the two trusses to bottom holes of the right and left handle and axle brackets with bolts and nuts (Ref. 31, and 22, Fig. 7) making sure a steel insert (Ref. 26, Fig. 7) is in the end of each truss as shown at point "C," Fig. 2. **DO NOT TIGHTEN.**

6. Assemble the two handles to top holes of the right and left handle and axle brackets with bolts and nuts (Ref. 31 and 22, Fig. 7) making sure a steel insert (Ref. 26, Fig. 7) is in the end of each handle as shown at point "D," Fig. 2. **DO NOT TIGHTEN.**
7. Take the throttle control cable from around the engine and run it up the top of the left hand truss brace. Place the two tube clamps (Ref. 37, Fig. 7) over the throttle cable and L.H. truss brace; one just below the lower cross brace position and the other about six inches from the top truss brace, secure with bolts and nuts. (Ref. 36 and 38, Fig. 7.)
8. Take the throttle lever and run it under the top cross brace; then line it up with the holes in the cross brace as shown in Fig. 3. Should the cable be too long, take the cross brace off and turn it around, then fit the throttle lever on with bolts and nuts. (Ref. 6 and 7, Fig. 7) (See step 3.)
9. Next step is to tighten all the bolts. First bring nuts up to a "snug" position all the way around then give each a final tightening. Be sure that the bolts are pulled down tight enough for approximately one bolt thread to extend thru the nylon insert in the lock-nut. It may be necessary to collapse the tube **SLIGHTLY** to accomplish this.

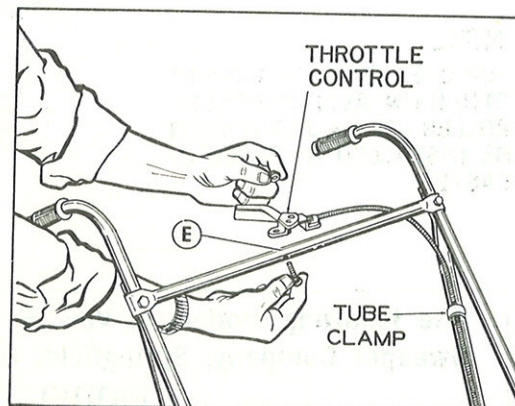


Figure 3

10. Next assemble Spin Pak (Ref. 26, Fig. 6) to blower housing, (Ref. 5, Fig. 6) by inserting bolts (Ref. 15) with nuts (Ref. 32) and washer (Ref. 3) in the locations as indicated in Fig. 6.
11. Attach the dust bag to the sweeper, placing loop over the handles and fastening the round opening of the bags securely to blower housing with bag strap. Place two hooks over lower cross brace. Ref. Fig. 7.

OPERATING INSTRUCTIONS

PV-6806-K6, PV-6806-K6-LP, PV-6805

IMPORTANT: Read the engine manual CAREFULLY before operating the Vac-35.

1. Keep filter bag clean. The efficiency of this unit depends on the breathing capabilities of the dust bag. On extremely dusty jobs, empty bag often. Never allow debris to remain in bag after use. There is a danger of internal combustion.
 2. Before starting the engine make sure the:
 - A. Spin Pak is in place
 - B. Dust Bag or Discharge Hose is in place
 - C. Intake Housing or Hose Kit is attached to the Fan Housing
 3. Heavy concentrations of sand and gravel should be avoided. These materials are extremely abrasive, and while the Vac-35 will handle moderate amount of these materials, it was not designed for heavy applications. Because these materials are extremely heavy, they will likewise tend to collect in a lump in the bag, causing it to drag on the ground and wear out prematurely. Likewise while the Vac-35 is capable of picking up empty tin cans and blocks of wood, it was not intended for this type of service, since tremendous stresses are set up as these pieces pass through the impeller. Treat your Vac-35 with reasonable care and it will repay you with long, trouble-free service.
 4. Your Vac-35 will handle most common kinds of debris found around industrial plants, commercial buildings, homes and farms. Acid contaminated materials, magnesium, dust and other DANGEROUS debris that is considered hazardous should not be handled with Vac-35 unless approved by a regulating authority considered to be an expert in the handling of such hazardous materials.
 5. Your Vac-35 is equipped with a front adjustable caster which will provide any height adjustment of intake housing that may be practical.
 6. For Briggs & Stratton engine. The kill switch for this engine is operated by the throttle lever. To stop engine back-off on the throttle as far as possible, this works an automatic kill switch on the engine. Should this switch fail to operate properly, consult your engine manual Section IV under Standard Speed Control for proper adjustment. See Fig. 4.
For all Kohler engines the "kill switch" is located on the lower left side of the engine below the exhaust. See Fig. 5.
 7. For servicing and operating instructions for engine refer to Engine Manufacturers Service Manual. Careful attention to care of air cleaner and crank-case lubrication instructions will insure longer engine life. KEEP ENGINE CLEAN.
 8. DO NOT WORK ON VAC-35 repairs or changing of attachments with engine running or idling. Bring to a DEAD STOP. Remove spark plug wire.
 9. When refueling engine care should be taken to not spill fuel on hot engine. This could cause the fuel to ignite.
 10. When using hose attachment, keep it away from exhaust system or other parts of the engine that may be hot enough to burn plastic hose.
 11. When a Vac-35 is equipped for liquid propane fuel, a slightly different starting technique is required. Follow steps A thru I to start LP engine.
 - A. Open fuel line valve at tank.
 - B. Set throttle in half open position. Close choke completely on carburetor.
 - C. Pull starter rewind cable 3 or 4 times. This will open automatic shut-off valve allowing gas to enter and start engine.
 - D. At first firing of engine, open choke at once.
 - E. If engine fails to continue running, close choke again before pulling rope.
 - F. If engine fails to start, carburetor may need adjusting. Turn in main fuel jet until it is closed. Back out 1¼ turns. This should be the position to allow the engine to start. After engine has been warmed up, adjust main jet for final running position by turning slowly in each direction until the engine performance is satisfactory.
 - G. If no success, check for fuel in tank and carburetor. Check ignition and spark plug. Repeat above operations.
 - H. When stopping engine, shut off fuel at tank and run dry. This removes load from valves and regulators and lengthens their life. Also prevents danger from gas leakage while engine is not used.
 - I. Extra filled tanks should be stored on steel rack with tank horizontal and arrow or relief valve up.
- CAUTION:** When installing fuel tanks, new or refills, be sure they comply with the following specifications.
1. ICC-4BA240. W.P. 240 PSI.
 2. Mounted Horizontal — vapor withdrawal.
 3. 14# Propane 8" dia. collar.
 4. 20# Propane 10" dia. collar.
- These specifications are also printed on the fuel tank support.
- IMPORTANT:** Check your local, state and federal regulations when using liquid propane fuel to be sure you comply with all requirements for the conditions covering its use.
12. When using a SPARK ARRESTOR MUFFLER, note that drain plugs have been provided for draining any condensation which might have accumulated in the muffler. Check regularly.
 13. LUBRICATION. Lubricate the wheel bearings and wheel axle on the caster once a week if used daily.

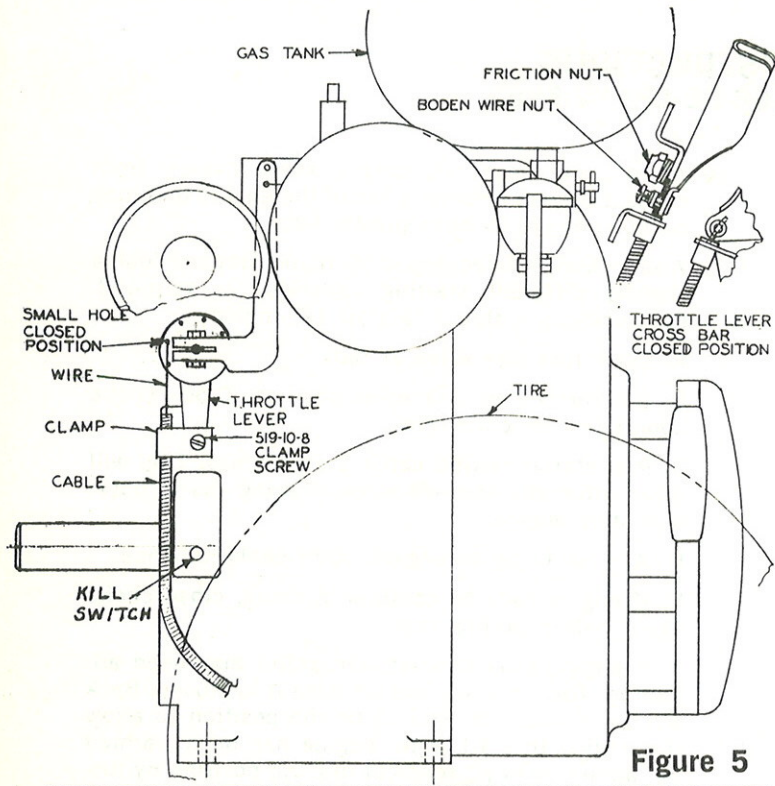


Figure 5

THROTTLE HOOK-UP DIAGRAM FOR PV-6806-K6 AND PV-6806-K6-LP VAC-35's

1. Insert end of wire into small hole in throttle lever. Push enough of the cable through the handle to make a large loop at the lower end for ease of assembly. Insert end of wire into small hole in throttle lever, as shown on sketch.
2. Loosen clamp screw and slip cable under clamp on the right side of the screw.
3. With about 1/2 inch of cable extending beyond clamp, tighten screw.
4. Next, secure lever assembly on throttle to cross bar on handle.
5. Check travel of throttle lever and adjust as follows. With the throttle lever on engine in the closed position, the lever on handle should be as shown in the sketch. Next, tighten boden wire nut to prevent slipping on throttle wire. Throttle assembly is now ready to test.

NOTE: If throttle does not stay open due to vibration of machine, tighten nut on lever assembly on cross bar until there is sufficient friction to hold throttle open.

THROTTLE HOOK-UP DIAGRAM FOR PV-6805 Vac-35

1. Insert end of wire into small hole in throttle lever.
2. Loosen clamp screw and slip cable under clamp.
3. With about 1/2 inch of cable past clamp, tighten screw.

Throttle is now ready to test.

NOTE: If throttle does not stay open due to vibration of machine, tighten nut on lever assembly on cross bar until there is sufficient friction to hold throttle open.

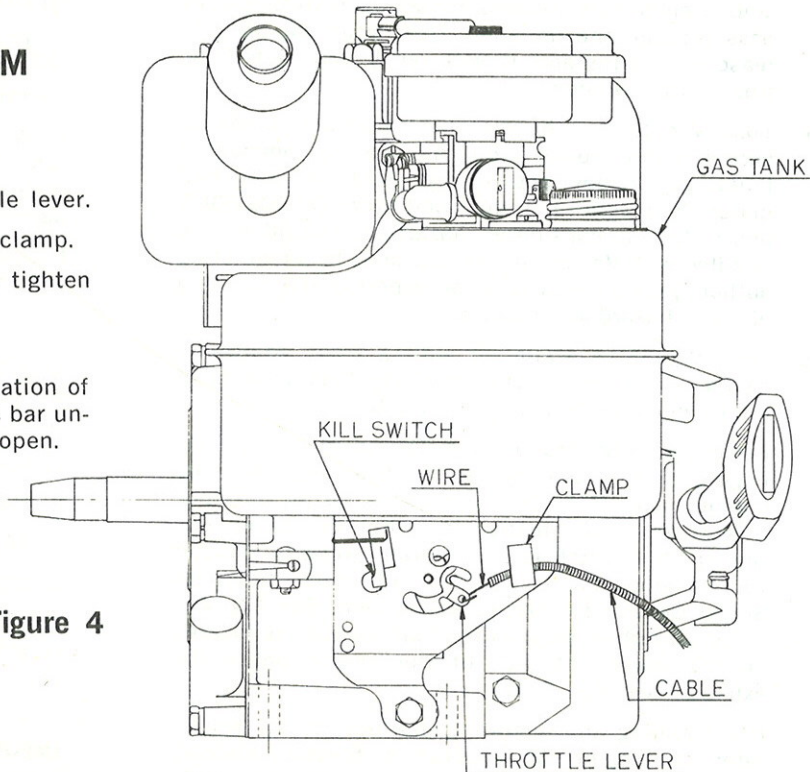


Figure 4

ALWAYS GIVE THE FOLLOWING INFORMATION WHEN ORDERING REPAIR PARTS:

- | | |
|-------------------------------|------------------------|
| 1. PART NUMBER (Not Ref. No.) | 3. DESCRIPTION OF PART |
| 2. QUANTITY NEEDED | 4. MODEL NO. of VAC 35 |

If unable to obtain parts locally, write down above information and send to:
PARKER SWEEPER CO., BOX 720, SPRINGFIELD, OHIO 45501

Your unit is right hand (R.H.) or left hand (L.H.) as you stand behind it.

IMPORTANT

BRIGGS ENGINE ASSEMBLY FOR MODEL PV-6805

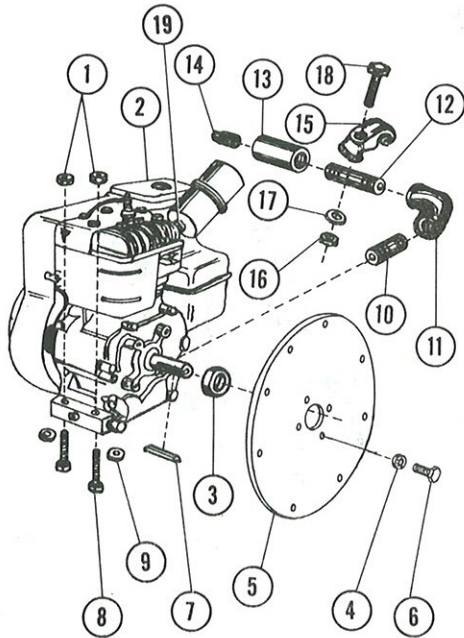


Figure 8

PARTS LIST

Ref. No.	Part No.	Qty. Per Unit	Description of Part
1	365-516	4	Nut-Hex Lock $\frac{5}{16}$ -18
2	66-242-A	1	Engine-Briggs & Stratton 5 H.P.
3	64-134-A	1	Spacer
4	936-516	4	Washer-Lock Int. Tooth $\frac{5}{16}$
5	61-02-C	1	Cover-Back
6	60-516-10	4	Bolt-Hex Head
7	61-65-A	1	Key- $\frac{3}{16}$ x $\frac{3}{16}$ x $1\frac{3}{4}$
8	65-516-28	4	Bolt-Hex Head $\frac{5}{16}$ -18 x $1\frac{3}{4}$
9	945-516	4	Washer-S.A.E. Flat $\frac{5}{16}$
10	66-369-A	1	Nipple $\frac{1}{4}$ x 2
11	66-374-A	1	Elbow $\frac{1}{4}$ -90°
12	66-286-A	1	Nipple-Pipe $\frac{1}{4}$ x 4"
13	66-287-A	1	Coupling- $\frac{1}{4}$ x $1\frac{1}{16}$ "
14		1	Plug-Pipe come with engine
15	66-368-A	1	Cable Strap
16	365-416	1	Nut-Hex Lock $\frac{1}{4}$ -20
17	945-416	1	Washer-S.A.E. $\frac{1}{4}$
18	65-416-20	1	Bolt-Hex Head $\frac{1}{4}$ -20 x $1\frac{1}{4}$
19	73-15-A	1	Street Elbow $\frac{3}{4}$ -45°

KOHLER ENGINE ASSEMBLY FOR PV-6806-K6, PV-6806-K6-LP

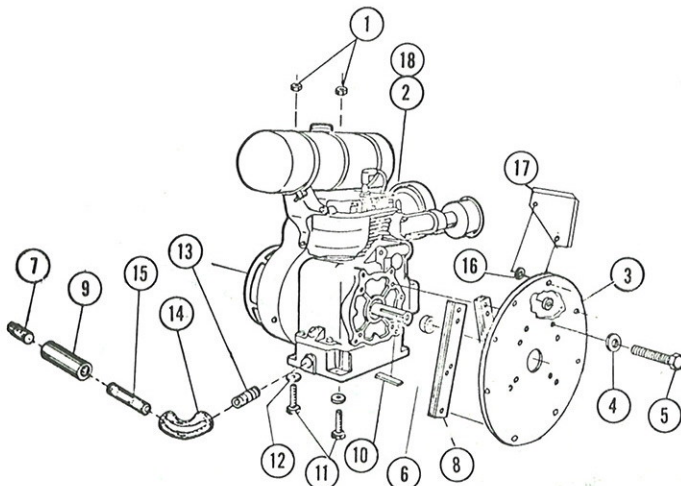


Figure 9

PARTS LIST

Ref. No.	Part No.	Qty. Per Unit	Description of Part
1	365-616	4	Nut-Hex Lock $\frac{3}{8}$ -16
2	65-34-A	1	Engine-Kohler 6 $\frac{1}{4}$ H.P.
3	64-109-C	1	Cover-Back
4	936-616	4	Washer-Int. Tooth Lock $\frac{3}{8}$
5	65-616-24	4	Bolt-Hex Head $\frac{3}{8}$ -16 x $1\frac{1}{2}$
6	72-179-A	1	Spacer
7	66-294-A	1	Plug-Pipe $\frac{3}{8}$
8	64-110-B	6	Spacer-Tie Bar
9	66-293-A	1	Coupling $\frac{3}{8}$ x $1\frac{3}{16}$
10	63-130-A	1	Key- $\frac{1}{4}$ sq. x $1\frac{3}{4}$ LG
11	65-616-24	4	Bolt-Hex Head $\frac{3}{8}$ -16 x $1\frac{1}{2}$
12	945-616	4	Washer-Flat S.A.E. $\frac{3}{8}$
13	66-290-A	1	Nipple-Close $\frac{1}{2}$
14	66-291-A	1	Elbow-Reducing 90°- $\frac{1}{2}$ to $\frac{3}{8}$
15	66-292-A	1	Nipple-Pipe $\frac{3}{8}$ x 4"
16	54-227-A	2	Spacers
17	72-241-A	1	Heat Shield
18	65-550-A	1	Engine-Kohler 6 $\frac{1}{4}$ H.P. - L.P. (Less Fuel Tank)

LIQUID PROPANE FUEL ASSEM. FOR KOHLER ENGINE PV-6806-K6-LP

REGULATOR ASSEMBLY PARTS LIST FIG. 10

Ref. No.	Part No.	Qty. Per Unit	Description of Part
1	72-228-A	1	Model VFF 30 Vacuum Fuellock & Filter
2	65-10-A	1	Hose Assem.
3	72-255-A	1	Nipple 1/4 x 3
4	73-233-A	5	90° Elbow 1/4
5	72-227-B	1	Regulator Bracket Weldment
6	73-141-A	1	Fitting
7	72-240-A	1	Regulator Model 69 R
8	62-240-A	5	1/4 Close Nipple
9	65-17-A	1	Hex Bushing 3/8 to 1/4
10	65-52-A	1	"KN" Regulator
11	72-253-B	1	Copper Tubing 3/16 DIA. x 28
12	65-416-16	2	Bolt-Hex Hd. 1/4-20 x 1
13	945-416	12	Washer Plain 1/4
14	65-53-A	1	Air Filter-Garretson
15	935-416	4	Washer-Spring Lock 1/4
16	73-142-A	1	Adapter
17	65-416-12	2	Bolt-Hex Hd. 1/4-20 x 3/4
18	73-140-A	1	Hose Fitting
19	65-518-A	1	Male Elbow
20	57-55-A	2	3/8 Close Nipple
21	73-236-A	1	90° Elbow 3/8
22	72-241-B	1	Heat Shield
23	73-235-A	1	Hex Bushing 3/4 to 3/8
24	68-219-A	1	Retaining Pin 3/32 DIA. x 1 1/2
25	57-57-A	2	1/8 Std. Hd. Pipe Plug
26	65-519-A	1	Male Connector
27	65-511-A	1	"O" Ring
28	73-143-A	1	Low Pressure Hose 14
29	68-448-A	1	Engine Kohler 6 1/4 H.P.

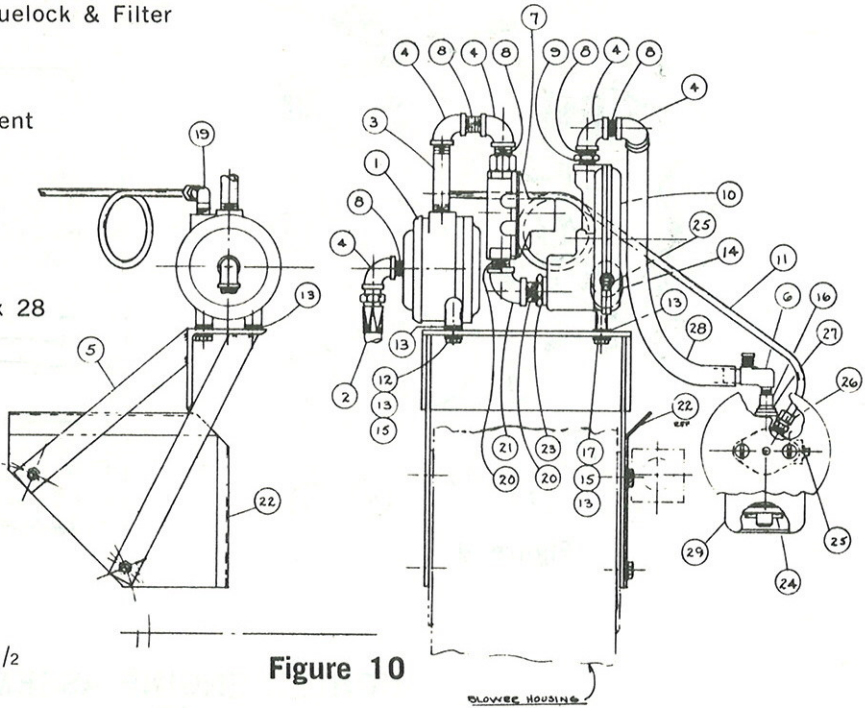


Figure 10

PARTS LIST FIG. 11

Ref. No.	Part No.	Qty. Per Unit	Description of Part
1	70-103-F	1	Housing - Blower Assy.
2	935-416	4	Washer-Spring Lock 1/4
3	65-565-C	1	Tank Support Weldment
4	65-751-A	1	Strap-Tank Assy. 80-278-B
5	67-69-B	1	14# L.P. Gas Tank Assy.
6	65-747-B	1	20# L.P. Gas Tank Assy. (Not Shown)
7	62-256-A	1	Elbow-3/8 x 45° Street
8	Ref.	1	Hose Assy.
9	65-416-16	4	Bolt-Hex Head 1/4-20 x 1"
10	62-253-A	1	Connector - Safety Check (Male)
11	62-252-A	1	Connector - Safety Check (Female)

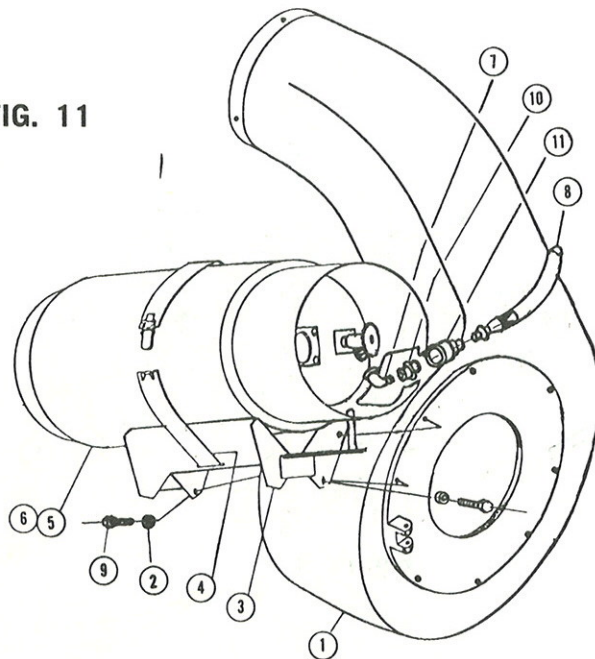


Figure 11

L.P. Fuel Tanks furnished only on special order, as an extra.

BLOWER HOUSING UNIT ASSEM. FOR ALL VAC 35'S

NOTE:

The Anti-Wrap Segments, Ref. No. 4, go on the inside of the Blower Housing, Ref. No. 5. They are shown on the outside in this picture for ease of identification.

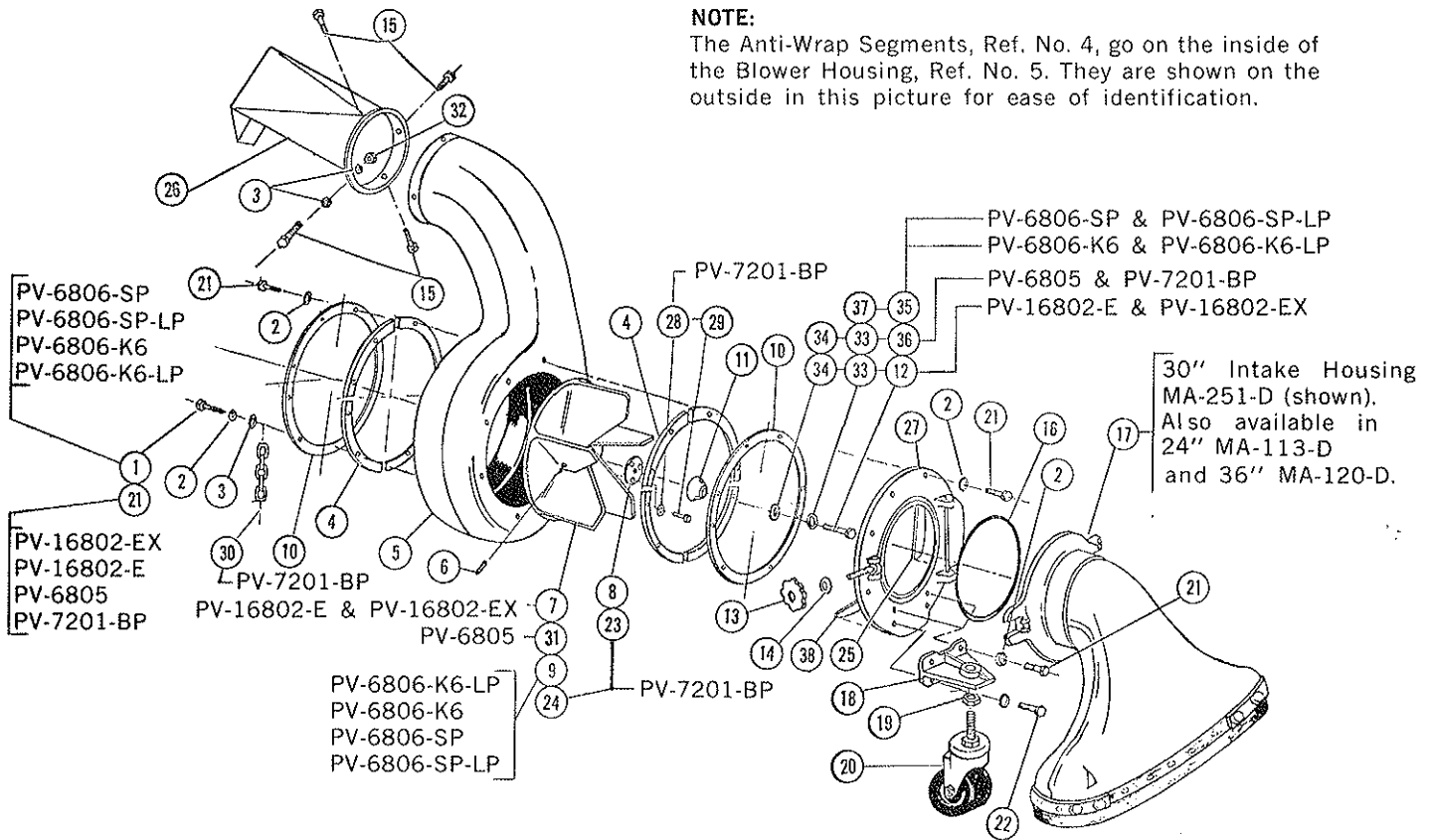


Figure 6

PARTS LIST

Ref. No.	Part No.	Qty. Per Unit	Description of Part	Ref. No.	Part No.	Qty. Per Unit	Description of Part
1	65-416-28	2	Bolt-Hex Hd. 1/4-20 x 1 3/4	20	64-71-A	1	Caster
2	935-416	18	Washer-Spring Lock 1/4	21	65-416-16	16	Bolt - Hex Hd. 1/4-20 x 1
3	945-416	10	Washer-Flat SAE 1/4	22	65-416-20	2	Bolt - Hex Hd. 1/4-20 x 1 1/4
4	64-78-C	8	Anti-Wrap Segments	23	63-10-A	1	Plate Retainer
5	70-103-F	1	Housing Blower Assem.	24	65-389-C	1	Fan
6	564-C-516-18	1	Screw-Set 5/16-18 x 1	25	72-307-A	1	Gasket-Rubber
7	72-162-D	1	Fan	26	66-448-B	1	Deflector Weldment SA-1413-C
8	63-10-A-1	1	Plate Retainer	27	63-225-D	1	Front Cover Assem. SA-1389-D
9	72-175-D	1	Fan	28	936-416	3	Washer-Int. Tooth Lock 1/4
10	62-187-C	2	Rubber Gasket	29	524-416-12	3	Scr.-Soc. Hd. 1/4-20 x 3/4
11	61-10-A	1	Retainer - Cap	30	47-219-A-8	2	Chain-Drag 8 LG.
12	72-177-A	1	Bolt - Hex Hd. 5/16-24-2 3/4	31	61-14-E	1	Fan
13	59-47-B	1	Knob-Adjusting	32	364-416	4	Nut-Hex Lock (thin) 1/4-20
14	945-816	1	Washer - Flat SAE 1/2	33	935-516	1	Washer-Spring Lock 5/16
15	65-416-12	4	Bolt - Hex Hd. 1/4-20 x 3/4	34	945-516	1	Washer-Flat
16	63-190-A	1	"O" Ring	35	65-39-A	1	Bolt - Hex Hd. 7/16-20 x 2 1/2
17	MA-251-D	1	30" Intake Housing (Shown)	36	64-126-A	1	Bolt - Hex Hd. 5/16-24 x 2 1/2
18	66-430-C	1	Bracket - Caster	37	935-716	1	Washer-Spring Lock 7/16
19	340-1216	1	Nut - Hex Jam 3/4-10	38	72-306-A	1	Gasket-Rubber

HANDLE & FRAME ASSEM.

PV-16802-E, PV-16802-EX, PV-6806-K6, PV-6806-K6-LP, PV-6805

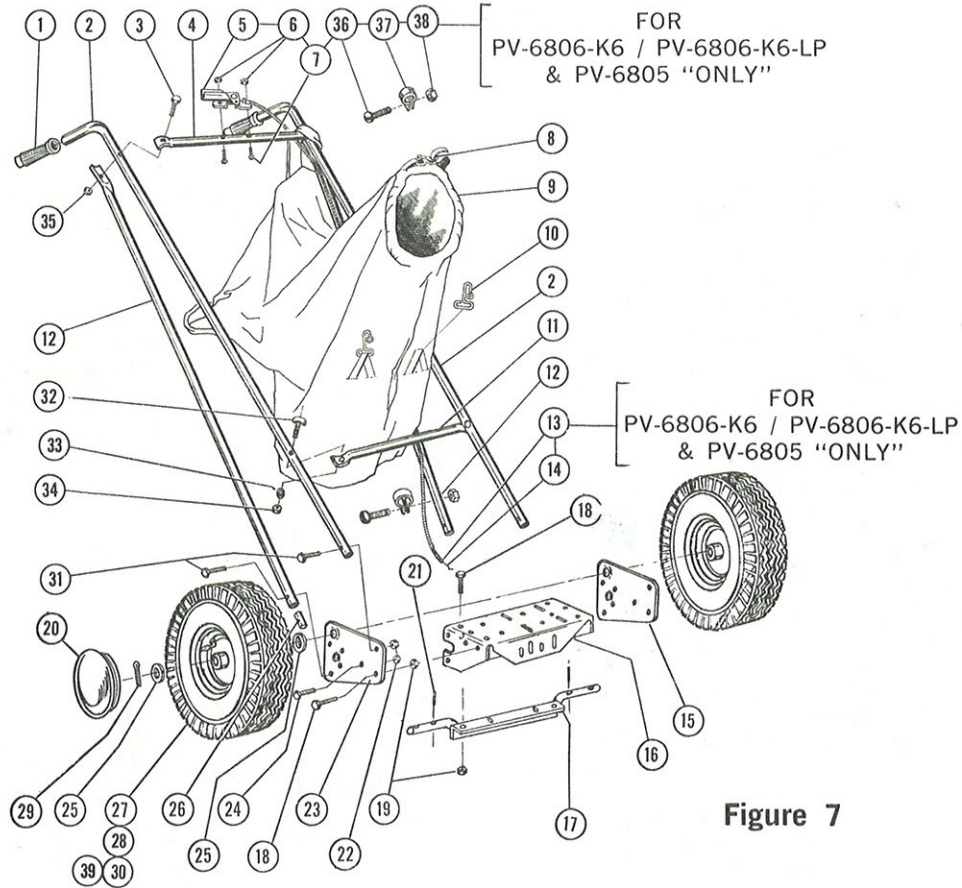


Figure 7

PARTS LIST

Ref. No.	Part No.	Qty. Per Unit	Description of Part	Ref. No.	Part No.	Qty. Per Unit	Description of Part
1	61-26-A	2	Grip-Handle	20	68-446-A	2	Cap-Hub for Tubeless Tire
2	65-03-B ✓	2	Handle	21	53-65-A	2	Pin-Roll 1/8 x 1 71-06-A
3	65-416-20	2	Bolt-Hex Head 1/4-20 x 1 1/4	22	365-516	8	Nut-Hex Lock 5/16-18
4	61-12-B	1	Bar-Cross, Upper	23	73-230-RC	1	Bracket-Handle and Axle, Right Hand
5	61-28-A	1	Throttle Control Assembly 83-25-B-60	24	65-516-12	4	Bolt-Hex Head 5/16-18 x 3/4
6	365-10	2	Nut-Hex Lock #10-24	25	945-1216	4	Washer-Flat S.A.E. 3/4
7	517-10-16	2	Screw-Oval Head #10-24 x 1	26	61-13-A	4	Insert-Handle 75-30-A
8	63-274-A	1	Strap-Assembly-Bag SA-794-B	27	SEE NOTE	2	Wheel for Tubeless Tire
9	64-77-F	1	Bag-Dust MA-419	28	68-312-A	2	Tire, Tubeless
10	63-304-A	2	Hook	29	380-432-20	2	Pin Cotter 1/8 x 1 1/4
11	61-11-B	1	Bar-Cross, Lower	30	68-313-A	2	Valve for Tubeless Tire
12	61-18-RC	2	Truss-Handle	31	65-516-20	4	Bolt-Hex Head 5/16-18 x 1 1/4
13	20-6-60	1	Cable-Throttle, 3/16 Dia., 60" Long	32	69-416-20	2	Bolt-Cont. HD. 1/4-20 x 1 1/4
	83-25-B-60			33	936-416	2	Washer-Int. Tooth 1/4
	20-054-63	1	Wire-Throttle, .054 Dia. 63" Long	34	335-416	2	Nut-Reg. Hex 1/4-20
	73-231-LC	1	Bracket-Handle and Axle, Left Hand	35	364-416	2	Nut-Hex Thin Lock 1/4-20
5	71-98-D	1	Bracket-Engine Mounting	36	515-8-8	2	Screw-Rd. Head Mach. #8-32 x 1/2
7	71-99-C	1	Axle & Angle Weld	37	68-101-A	2	Clamp-Tube
18	65-416-12	6	Bolt-Hex Head 1/4-20 x 3/4 Qty. 2 less for Briggs	38	365-8	2	Nut-Hex Lock #8-32
19	365-416	6	Nut-Hex Lock 1/4-20 Qty. 2 less for Briggs	39	SEE NOTE	4	Wheel Bushings

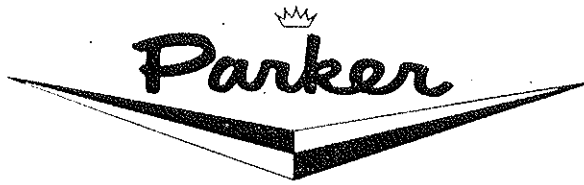
NOT

W... Dico Corp. and Geneva Metal Wheel are... rchably. This table will enable you to correctly identify the parts you need.

	Dico Whl.	Geneva Whl.
Wheel	63-169-A USE →	68-447-B
Wheel Bore	1 1/8	1 3/8
Bushing	63-313-A	67-03-A

69-222-A

Plate No. 07-

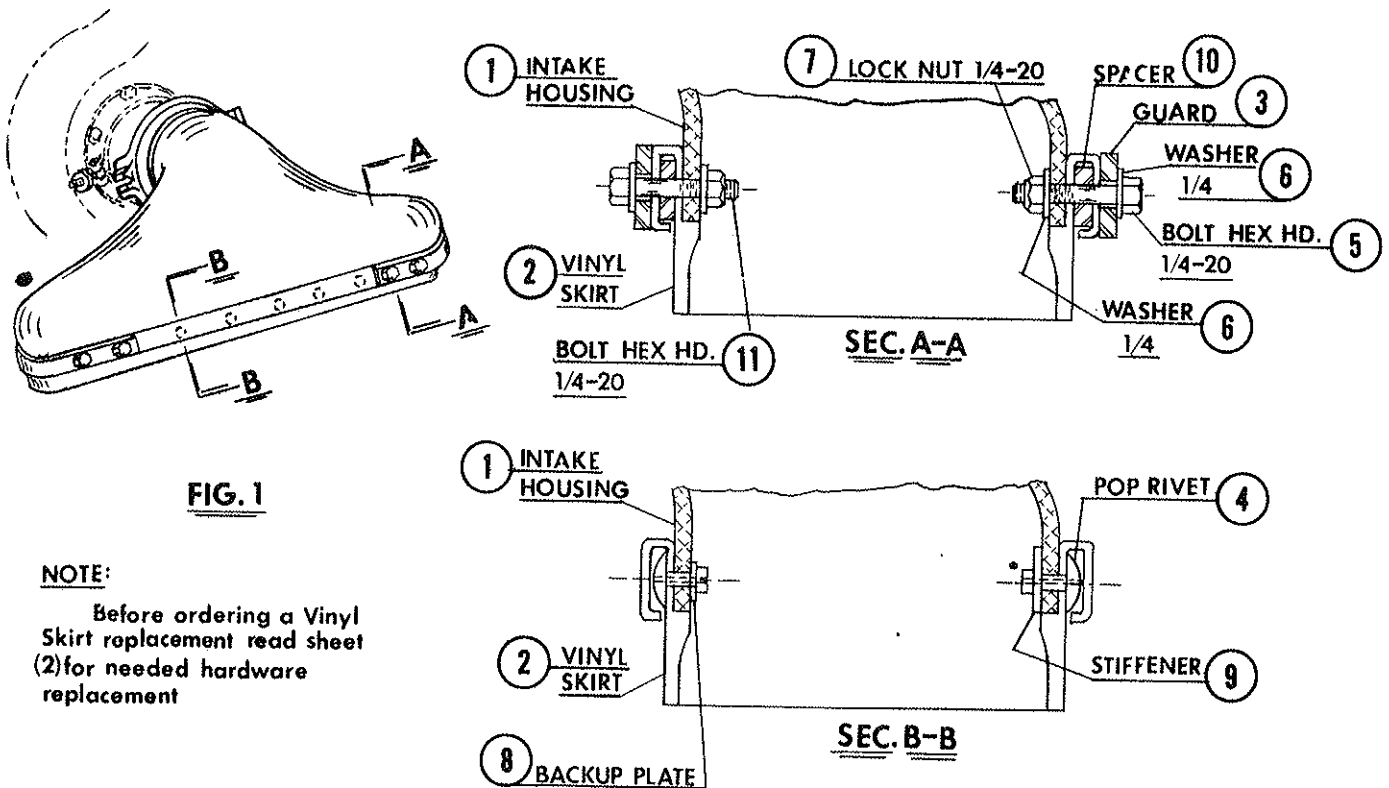


**ASSEMBLY INSTRUCTIONS AND PARTS LIST
FOR
MA-113-D(24'') MA-251-D(30'') MA-120-D(36'')
INTAKE HOUSINGS**

CAUTION - Engine or Motor must not be running when removing the Intake Housing.

To install the Intake Assem., place the Intake Collar lugs under the rod on the Blower Housing ring, then swing the Intake Assem. towards the Blower Housing. Swing the lug bolt into the slot of the Intake Collar and tighten the Adjusting Knob.

To remove the Intake Assem., reverse the above instructions.



NOTE:

Before ordering a Vinyl Skirt replacement read sheet (2) for needed hardware replacement

-Plate No. 106-

**ASSEMBLY INSTRUCTIONS AND PARTS LIST
FOR
MA-113-D(24'') MA-251-D(30'') MA-120-D(36'')
INTAKE HOUSINGS**

Item No.	Name	Unit Qty.	24'' (Fiberglass) Intake Assembly MA-113-D	Unit Qty.	30'' A.B.S. Intake Assembly MA-251-D	Unit Qty.	36'' A.B.S. Intake Assembly MA-120-D
			Part No.		Part No.		Part No.
1	Intake Assem.	1	SA-114-D	1	72-200-D	1	71-74-D
2	Skirt	1	73-76-D 73-76	1	73-67-D	1	73-74-D
3	Guard	2	62-98-C	2	62-98-C	2	62-98-C
4	Pop Rivet	11	411-6-652-AALF	15	411-6-652-AALF	17	411-6-652-AALF
5	Bolt - Hex Hd.	8	65-416-20 1/4-20 x 1 1/4	4	65-416-20 1/4-20 x 1 1/4	4	65-416-20 1/4-20 x 1 1/4
6	Washer SAE - 1/4	16	945-416	16	945-416	16	945-416
7	Nut - Lock 1/4-20	8	365-416	8	364-416	8	364-416
8	Backup Plate	11	950-11-25	10	950-11-25	10	950-11-25
9	Stiffener			1	73-63-B	1	73-73-B
10	Spacer	4	73-222-A	4	73-222-A	4	73-222-A
11	Bolt - Hex Hd.			4	65-416-16 1/4-20 x 1	4	65-416-16 1/4-20 x 1

TO REPLACE SKIRT

Drill out the Rivets with a .191 dia. drill, then replace them with No. 515-1024-12 Rd. Hd. Screw (10-24 x 3/4), Speed Nut No. 346-10 and Washer No. 945-1024 or Pop Rivets 411-6-652-AALF and Backup Plates 950-11-25 if a Rivet Gun is available.

Fig. 2 - Remove the Pop Rivets and Washers (Rivet) from the Intake Housing by holding the Rivets inside the Intake Housing with a pair of pliers and drilling the rivets out, by drilling from the outside with a 3/16 dia. drill. Be sure to hold the outside wall of the Vinyl Skirt up while drilling the rivets out.

NOTE:

Intake Assem. MA-113-D 24'' will use Backup Plates for the Pop Rivets in both the front and back edge of the Intake opening as shown in Fig. 2.

Intake Assem. MA-251-D 30'' and MA-120-D 36'' will use Backup Plates on the back edge of the Intake Opening only, with the Stiffener used on the front edge shown in Fig. 1.

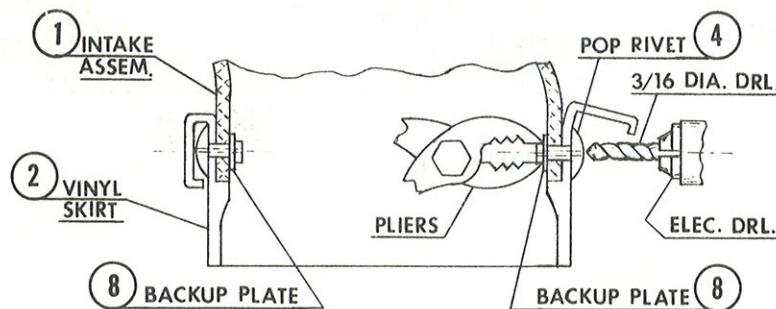


FIG. 2

-Plate No. 106A-