



Electronic Service Manuals

This electronic document is provided as a service to our customers. We do not create the contents of the information contained in this document. Should you have detailed questions pertaining to the information contained in this document, you may contact Michco, or the manufacturer which provided the original information in this electronic deliverable. Michco's only part in this electronic deliverable was the electronic assembly process. By providing this manual on line we are not guaranteeing parts availability.

You may contact Michco through the following methods:

Phone (517) 484-9312 or (800) 331-3339

2011 N. High St. -- Lansing, Michigan -- 48906

Fax: (517) 484-9836

Email: CustServe@Michco.com

Web site: www.Michco.Com

Parts Web site: www.FloorMachineParts.Com

Order Parts on Line at:

www.FloorMachineParts.Com

Directly to Parts & Service:

By Email: **Shop@Michco.com**

By Fax: (517) 702-2041

By Voice: Use numbers above.

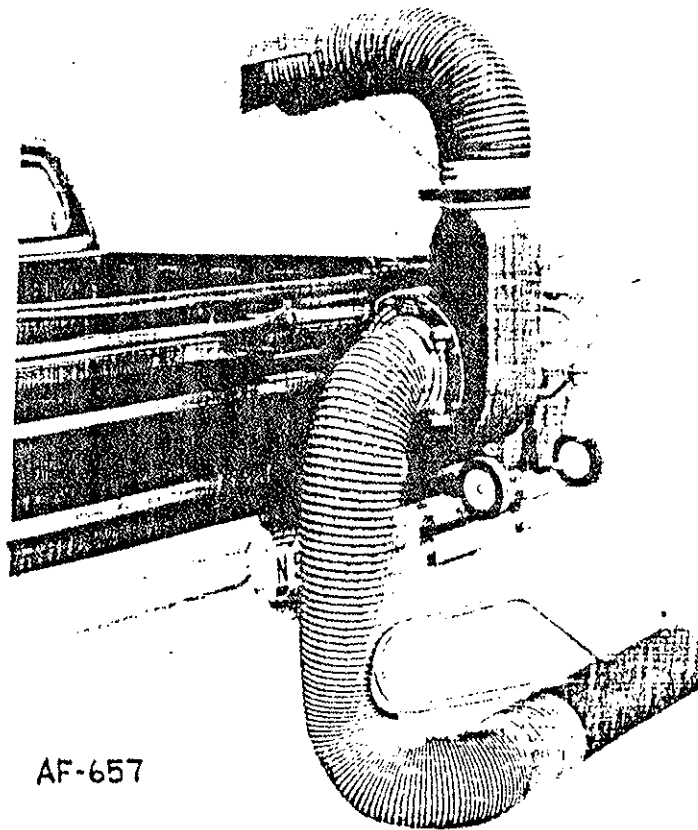
Serving the Cleaning Industry Since 1922

Notice: All copyrighted material remains property of original owners, all trademarks are property of respective owners. Manuals are subject to Manufacturer's reproduction limitations. Originals or reproductions were provided by manufacturers through a request. We make no warranty as to the correctness of information provided in this document and you assume all risk. By placing these manuals on line we are not declaring our corporation to be an manufacturer authorized dealer or provider, please check our web site for authorized manufacturers we represent.

OWNER'S GUIDE



PORTABLE LOADER MODEL NO. PL-8700



AF-657

**READ THESE INSTRUCTIONS BEFORE SETTING UP
AND OPERATING MACHINE.**

**BE SAFE. PROTECT YOUR FAMILY, YOUR FRIENDS, YOURSELF.
OBSERVE ALL SAFETY INSTRUCTIONS.**

PARKER SWEEPER COMPANY

Box 1728

Springfield, Ohio 45501

Plate No.

OPERATION AND MAINTENANCE INSTRUCTIONS

READ SAFETY & OPERATING INSTRUCTIONS BEFORE OPERATING EQUIPMENT

CAUTION: The engine contains NO OIL. Before starting the engine, make sure the crankcase is filled with the proper amount and type of oil. Refer to the engine operating manual for proper lubrication of the engine. Read the engine manual carefully before operating unit. Be sure to know how to start and stop the engine.

1. Care should be taken not to plug the hose by forcing too much debris into it at one time.
2. Stiff debris such as sticks and tree trimmings should not be picked up with the hose, as they may plug the hose.
3. If the hose becomes plugged, the engine must be shut off.
4. Remove hose from blower housing, remove all blockage from the hose and replace to blower housing.
5. Do not start engine without ^{intake} hose attached, serious injury may result by drawing clothing or parts of the body into the fan.

WARNING: Keep hose away from exhaust system and other parts of engine that may be hot enough to burn hose.

6. Best vacuum is obtained when engine is run at full throttle.
7. Before using the machine to pick up debris, police the area to be cleaned first, picking up any large objects such as cans, toys, bones and chunks of wood. If these pass through the machine, they could damage the impeller or bend the engine crankshaft.

DANGER: Improper use of this equipment may result in serious injury.

WARNING: DO NOT WORK ON UNIT with engine running or idling. Bring to a DEAD STOP. Remove spark plug from engine.

8. For servicing and operating instructions for engine refer to Engine Manufacturers Service Manual. Careful attention to care of air cleaner and crankcase lubrication instructions will insure longer engine life. **KEEP ENGINE CLEAN.**
9. Clean the engine air cleaner every 10 hours of operation. (Do so more often under dusty conditions.) If it is punctured, torn, or uncleanable, it should be replaced.
10. Be sure to keep the oil at the proper level in the engine. Check the oil level each time you fill the fuel tank.

WARNING: When refueling, care should be taken not to spill fuel on hot engine. This could cause the fuel to ignite, resulting in serious injury to operator or damage to unit.



SAFETY PRECAUTIONS: The following is suggested to prevent damage to the equipment or injury to operator and people nearby.

1. Do not allow anyone to operate the Portable Loader without proper instructions.
2. Do not permit children to operate the Portable Loader.
3. Do not run the engine in an enclosed area. Exhaust gases contain carbon monoxide, an odorless and deadly poison.
4. Keep all nuts, bolts and screws tight to be sure the Portable Loader is in safe working condition.

WARRANTY INFORMATION

Parker Sweeper Company warrants each new piece of equipment manufactured under its name except the engine, to be free of defects in materials and workmanship under normal use and service. Parker Sweeper Company's obligation is limited to repair or replacement at its option for one (1) year (ninety (90) days for commercial service) from date of purchase.

If trouble should occur with the engine, please contact the manufacturer listed below, giving them all information: Name of unit purchased from company (Parker, Portable Loader, etc.), problem with engine model no. of engine etc.; when unit was purchased and your complete return address with zip code. Failure to provide complete information will result in unnecessary delay of repair and return of unit.

Proper assembly of replacement parts is the responsibility of the owner or mechanic doing the work. Parker Sweeper Company warranty only applies to the original purchased unit and/or replacement parts if assembled correctly by a qualified mechanic. Under no circumstances does the warranty extend beyond the original time specified from date of purchase.

ENGINE:

Briggs & Stratton Company
P.O. Box 702
Milwaukee, Wisconsin 53201

NOTE: Parker Sweeper Co. is continually striving to improve its products. We must, therefore, reserve the right to make improvements or changes, when it becomes practical and possible to do so, without incurring any obligation to make changes or additions to the equipment previously sold.

ALWAYS GIVE THE FOLLOWING INFORMATION WHEN ORDERING REPAIR PARTS:

1. PART NUMBER (Not Ref. No.)
2. QUANTITY NEEDED
3. DESCRIPTION OF PART
4. FOR MODEL NO. PL-8700

If unable to obtain parts locally, write down the above information and send to:
PARKER SWEEPER CO., P.O. BOX 1728, Springfield, Ohio 45501-1728

IMPORTANT!

ASSEMBLY INSTRUCTIONS

YOUR SAFETY IS OUR CONCERN. READ ALL SAFETY RULES AND OPERATING INSTRUCTIONS BEFORE ATTEMPTING TO OPERATE THIS EQUIPMENT. FAILURE TO FOLLOW SAFETY RULES AND OPERATING INSTRUCTIONS MAY RESULT IN SERIOUS INJURY.

UNPACKING UNIT

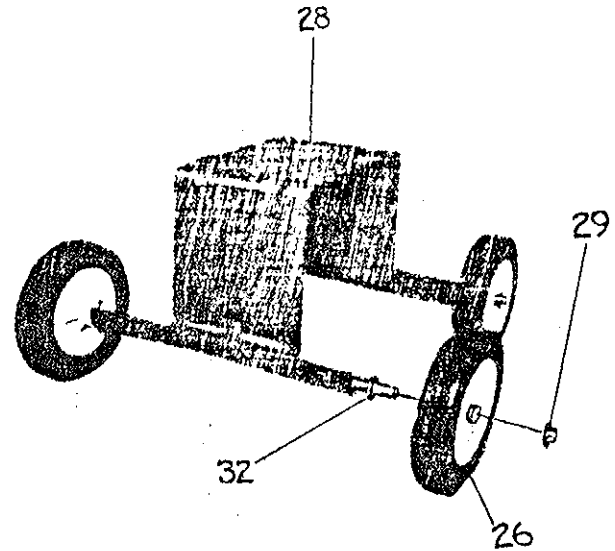
Completely unpack the unit from carton. Do not discard any packing, inserts or the carton until the unit is completely assembled.

2. If anything is missing, notify your dealer or local distributor to obtain parts needed. If unable to find parts locally, contact the Parker Sweeper Company.

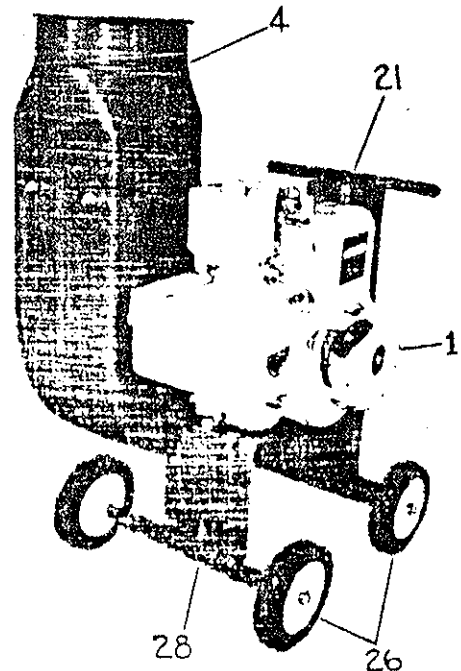
ASSEMBLING ENGINE BASE

NOTE: Numbers in parenthesis refer to those used in the adjoining AF-658, AF-659, AF-660 and the exploded view for the PORTABLE LOADER on plate no. to the back of this owner's guide.

1. Place engine base weldment (28) on it's side with one set of axles against the floor or bench.
 2. Place one special washer (32) from the hardware bag on each exposed axle of the engine base weldment (28).
 3. Place one wheel (26) on each axle, with ribs of wheel hub turned inward toward engine base weldment (28).
 4. Secure with end cap (29).
- NOTE: End cap must be tapped straight onto axle and seated against the end of the axle.
5. Turn engine base over with wheels down and repeat steps 1 thru 4 above.



6. Remove the hex lock nuts (35), flatwashers (45) and hex head bolts (27) from the engine (1).
7. Lay the engine and housing assembly down against the front cover assembly (6) [mounted on the blower housing assembly (4)].
8. Place hanger (21) plate against the base of the engine (1) with the hinge tube toward the top of the engine opposite the fuel tank.
9. Place the engine base weldment (28) mounting surface against the hanger (21) plate with axles parallel with engine power-take-off shaft.
10. Align engine (1) base holes with those thru hanger (21) and engine base weldment (28) and install bolts (27) with bolt heads against underside of engine base weldment.
11. Secure with flatwasher (45) and lock nut (35) at engine base (1). Snag but do not tighten fasteners.
12. Set this assembly up on the engine base weldment (28) wheels (26).

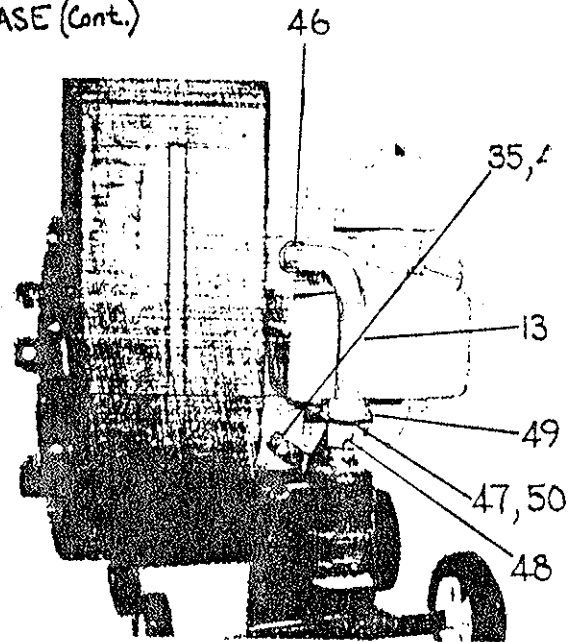


**SAFETY IS IMPORTANT!
DO NOT IGNORE IT!
OBSERVE IT!
BE SAFE!**

ASSEMBLY INSTRUCTIONS (Continued)

ASSEMBLING ENGINE BASE (Cont.)

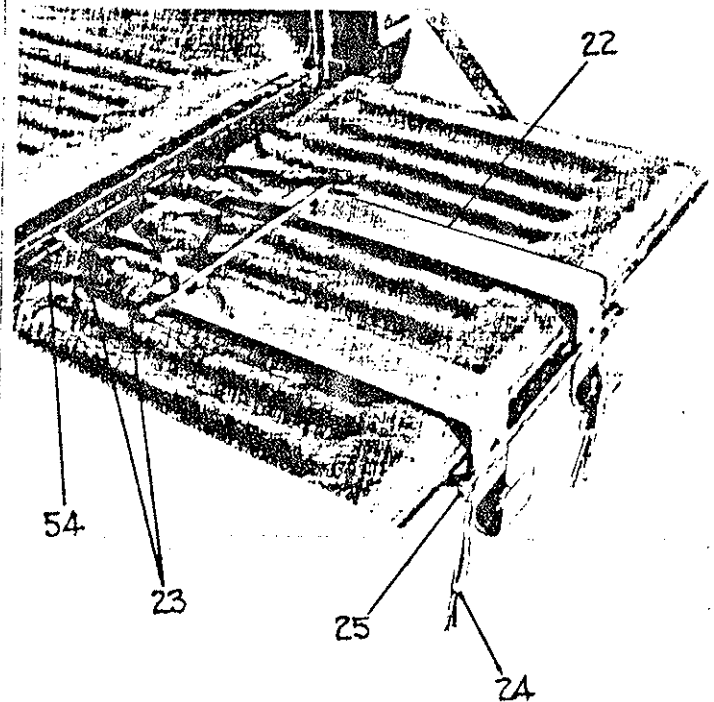
13. Assemble muffler to engine by threading muffler pipe (13) into exhaust hole in engine. Turn until tight, when muffler is straight down.
14. Tighten conduit lock nut (46) against engine to lock muffler in place.
15. Remove the lock nuts (50) and U-bolt (47) from the bracket weldment (49).
16. Remove the hex lock nut (35) and flatwasher (45) from the front left mounting bolt on engine. Do Not remove the bolt from the engine.
NOTE: The front left mounting bolt is closest to the housing on muffler side of engine.
17. Place bracket on front left mounting bolt (27) of engine with U-bolt holes up.
18. Replace flatwasher (45) and lock nut (35), Do Not Tighten.
19. Place U-bolt (47) around coupling (48) and through holes in bracket weldment (49) and reassemble lock nuts (50).
20. Tighten lock nuts (50) on U-bolt and all four lock nuts (35) on engine base.



ASSEMBLING HINGE TO TAILGATE OF TRUCK

NOTE: Numbers in parenthesis refer to those used in adjoining AF-661, AF-662 and the exploded view for the PORTABLE LOADER on plate no. to the back of this owner's guide.

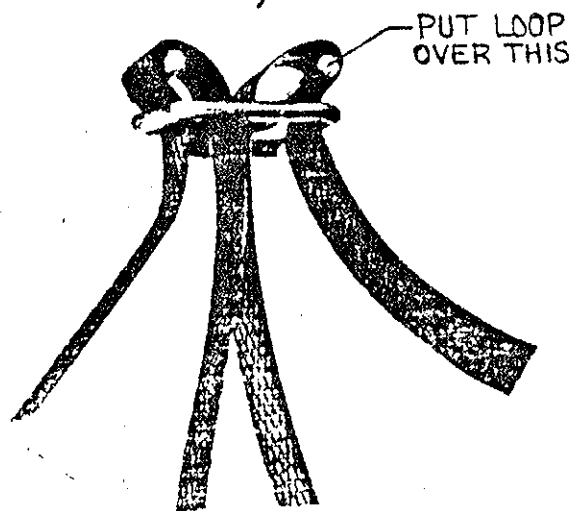
1. Place the tailgate of truck in the down position.
NOTE: If it is possible, it will be helpful to disassemble the tailgate from the hinge on one side of truck. If this is done, the tailgate must be supported.
2. Inspect the tailgate to see if it has a thin extension along the bottom, if so, it will be necessary to use the U-Channel (54) to protect straps from any sharp edge there may be.
3. Press U-Channel (54) onto extension in area that hinge (22) will be assembled.
4. Place hinge (22) on tailgate with hooked ends hanging down over the top of tailgate.
5. Remove the four straps and buckles (23) from the bag in hardware carton.
6. Fold one strap in half, place loop, made by fold, on the rod welded to hinge (22) between retainer (25) and lock assembly (24).
7. Run strap down outside of tailgate and feed both ends underneath tailgate.
8. Separate ends of strap, run the strap closest to tailgate up inside between tailgate and rod welded to lower section of hinge (22).
9. Bring strap back down over lower rod and fold the end of strap to form loop.



ASSEMBLY INSTRUCTIONS (cont.)

ASSEMBLING HINGE TO TAILGATE OF TRUCK (cont.)

- Place loop through inside of one buckle, slide loop over open end of buckle.
 11. Bring other end of strap around and fold the end of strap to form loop.
 12. Place loop through other side of buckle and slide loop over open end of buckle.
 13. Repeat steps 7 thru 12 for other outside strap and buckle.
- NOTE: The two straps used on the inside of rods must be fed under top rod then folded in half to loop around top rod. Repeat steps 7 thru 12 for both straps. Draw all straps tight.
14. Reassemble tailgate if removed in Step 1.



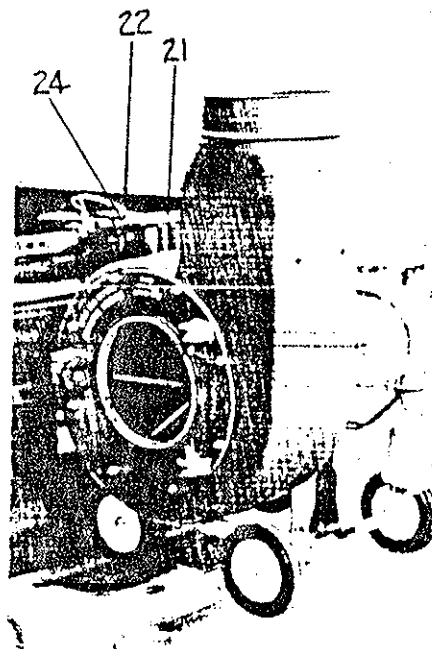
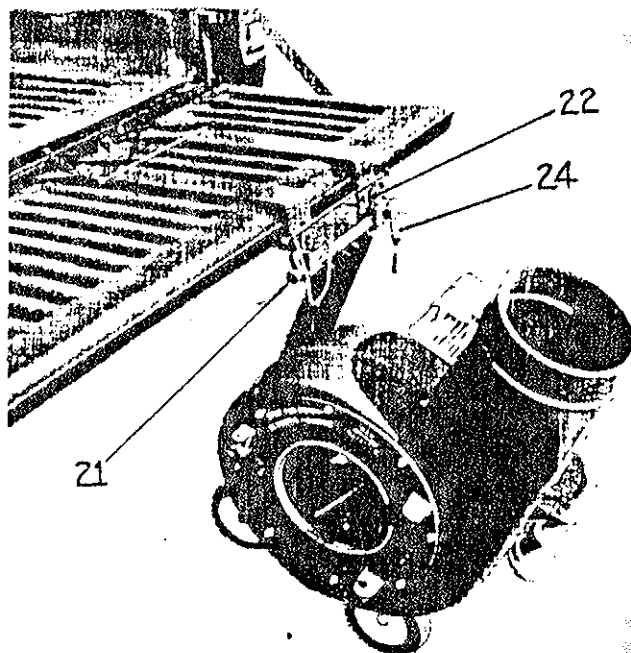
ASSEMBLING ENGINE BASE TO HINGE

1. Numbers in parenthesis refer to those used in the adjoining AF-663, AF-664 and the exploded view for the PORTABLE LOADER on plate no. to the back of this owner's guide.

1. With tailgate of truck down, lift the engine base and place top tube of hanger (21) into hooks of hinge (22).
2. Place the small diameter cotter pin on lock assembly (24) through the small holes in hinge (22).
3. Lift tailgate slowly and close. Hold engine base to keep it from striking tailgate hard while closing.
4. To keep engine base from pivoting during use, place large diameter cotter pin, on lock assembly (24), through the holes in hinge (22) and tube of hanger (21).

Do Not transport loader long distances on the tailgate.

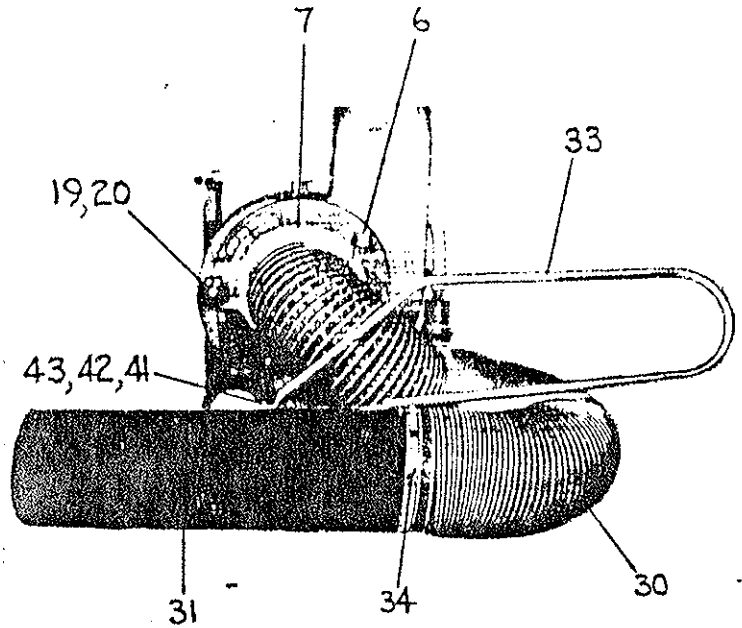
NOTE: It is your responsibility to check local motor vehicle laws to determine if the loader must be removed for transportation.



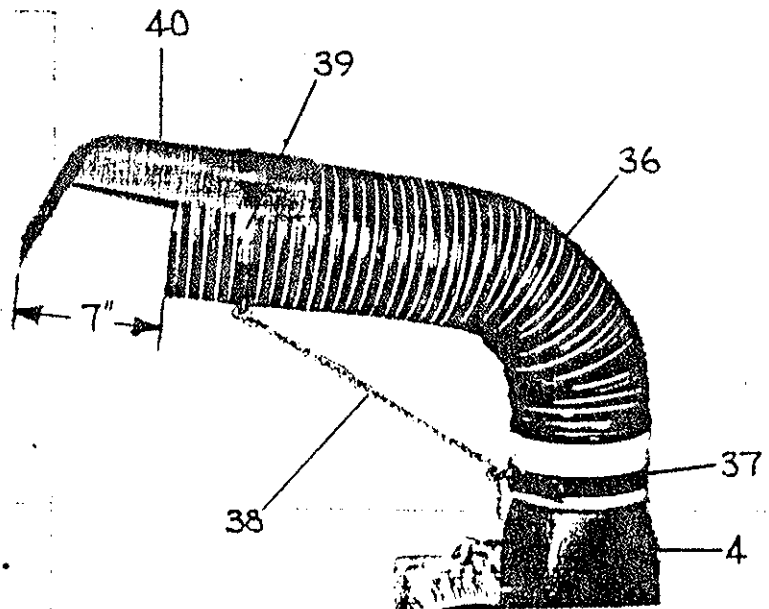
ASSEMBLING HOSES

NOTE: Numbers in parenthesis refer to those used in the adjoining AF-665 and the exploded view for the PORTABLE LOADER on plate no. 118 to the back of this owner's guide.

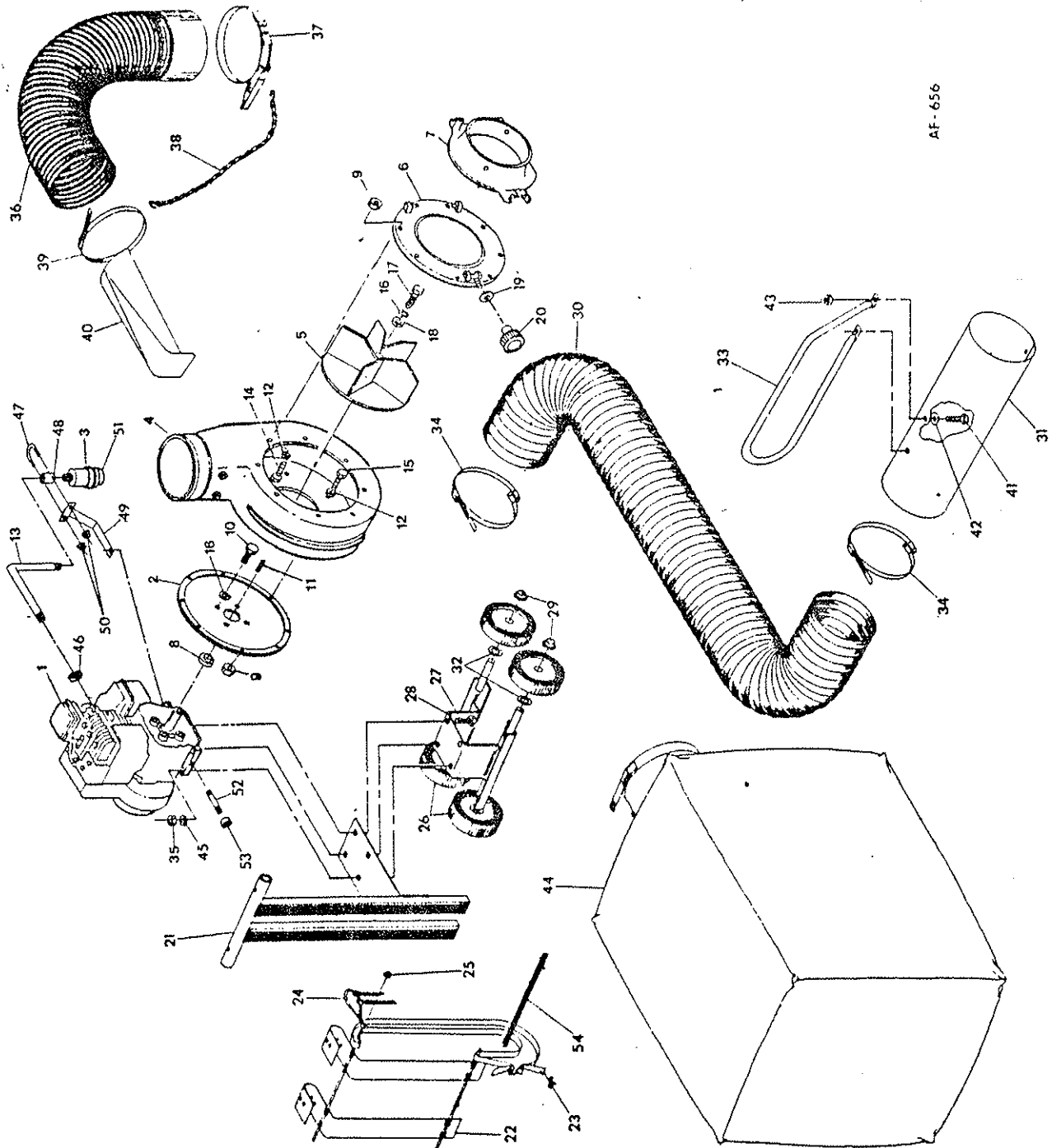
1. Assemble collar (7) to front cover (6) by placing hinge bosses, of collar, behind the hinge extensions on front cover.
2. Swing collar to lay flat against front cover. Secure by placing flatwasher (19) and adjusting knob (20), on pivot bolt, over the collar and tightening.
3. Remove the hex lock nuts (43), flatwashers (42) and hex hd. bolts (41) from the handle (33).
4. Align holes in handle (33) with those in intake tube (31).
NOTE: Intake tube (31) is longer on one end than the other from handle mounting holes to end of tube. Assemble with longer end of tube extending away from handle.
5. Assemble flatwashers (42) to bolts (41) and insert up through intake tube and handle.
6. Replace hex lock nuts (43) and tighten.
7. Assemble step clamp (34) to end of long hose (30), Do Not Tighten.
8. Assemble end of hose with clamp, over rear end of intake tube (31), and tighten clamp.
9. Assemble other step clamp (34) over free end of long hose (30).
10. Assemble hose to collar (7) and tighten clamp.



11. Place quick release clamp (37) over smooth end of hose (36), and slide hose down over neck of housing (4). Tighten clamp.
12. Assemble clamp (39) to top end of hose (36), approximately 4 inches from hose end. Do Not Tighten.
13. Place deflector (40) on top side of hose (36) under clamp (39).
14. Slide deflector (40) until there is approximately (seven) 7 inches opening between end of hose and end of deflector.
15. Place chain assembly (38) "S" hook, that is closed where chain is attached, around the bottom of clamp (39).
16. Remove the tape securing chain to opposite "S" hook. Secure to the small rod in handle of quick release clamp (37).
17. Hose (36) should be at a ninety degree angle. If not; remove chain from "S" hook on handle of quick release clamp (37). Adjust the chain until a ninety degree angle is obtained.
NOTE: Top hose (36) can be rotated a full 360°, by loosening quick release clamp and turning hose on housing (4) to any position required.



PORTABLE LOADER



AF-656

PARTS LIST

Ref. No.	Part No.	Qty Per Unit	Description
1	85-09-D***	1	Engine
2	84-239-C	1	Back Cover & Gasket
3	****	1	Muffler (supplied with engine)
4	SA-130A-C	1	Blower Housing & Liner Assy.
5	61-14-E	1	Fan Wheel
6	SA-133B-D	1	Front Cover Assembly
7	63-195-D	1	Collar
8	73-20-A	1	Spacer
9	365-416	16	Nut Hex Lock 1/4-20
10	60-516-10	4	Bolt Hex Head 5/16-24 x 5/8
11	61-65-A	1	Key, Engine
12	945-416	16	Flatwasher Plain 1/4
13	85-24-B	1	Muffler Pipe
14	65-416-16	8	Bolt Hex Head 1/4-20 x 1
15	65-416-14	8	Bolt Hex Head 1/4-20 x 7/8
16	935-516	5	Lockwasher Spring 5/16
17	60-516-20	1	Bolt Hex Head 5/16-24 x 1 1/4
18	82-138-B-1	1	Special Washer
19	945-816*	1	Flatwasher Plain 1/2
20	80-29-A*	1	Adjusting Knob
21	86-141-D	1	Hanger With Rubber Pads
22	86-142-D	1	Hinge With Rubber Pads
23	SA-1460-B	1	4 Straps & 4 Buckles
24	86-140-B	2	Lock Assembly
25	59-45-A	4	Retainer
26	83-177-C	4	Wheel
27	65-516-28	4	Bolt Hex Head 5/16-18 x 1 3/4
28	84-324-C	1	Engine Base Weldment
29	76-254-A	4	Cap-End
30	84-130-B	1	8" Dia. Hose 8' Long
31	86-137-D	1	Intake Tube
32	46-81-A	4	Washer Special
33	86-128-D	1	Handle
34	84-309-C	2	Hose Clamp W/Step
35	365-516	4	Nut Hex Lock 5/16-18
36	84-345-B	1	8" Dia. Hose 40" Long
37	84-373-C	1	Clamp, Quick Release
38	86-145-B	1	Chain Assembly
39	84-152-C	1	Clamp
40	86-138-D	1	Deflector, Modified
41	65-416-16	2	Bolt Hex Hd 1/4-20 x 5/8
42	945-416	2	Flatwasher, Plain 1/4
43	365-416	2	Nut, Hex Lock 1/4-20
44	NA-607	1	Bag (Not supplied with unit. Can be purchased as an accessory.)
45	945-516	1	Flatwasher Plain 5/16
46	60-267-A	1	Conduit Locknut 3/4
47	73-237-A	1	"U" Bolt 1/4-20
48	60-231-A	1	Coupling 3/4 x 1 5/8
49	85-27-B	1	Bracket Weldment
50	362-416	2	Nut, Hex Lock Serrated Flange 1/4-20
51	****	1	Side Out Deflector (supplied with engine)
52	85-28-A	1	Nipple 1/4-1 1/2
53	85-29-A	1	1/4 Cap
54	86-152-A	1	U-Channel

*Supplied with item 6, but can be purchased separately.

***B & S Model No. 130212, Spec. 2141-01

****Supplied with engine, Muffler No. 393010, Deflector No. 222261