



Electronic Service Manuals

This electronic document is provided as a service to our customers. We do not create the contents of the information contained in this document. Should you have detailed questions pertaining to the information contained in this document, you may contact Michco, or the manufacturer which provided the original information in this electronic deliverable. Michco's only part in this electronic deliverable was the electronic assembly process. By providing this manual on line we are not guaranteeing parts availability.

You may contact Michco through the following methods:

Phone (517) 484-9312 or (800) 331-3339

2011 N. High St. -- Lansing, Michigan -- 48906

Fax: (517) 484-9836

Email: CustServe@Michco.com

Web site: www.Michco.Com

Parts Web site: www.FloorMachineParts.Com

Order Parts on Line at:

www.FloorMachineParts.Com

Directly to Parts & Service:

By Email: **Shop@Michco.com**

By Fax: (517) 702-2041

By Voice: Use numbers above.

Serving the Cleaning Industry Since 1922

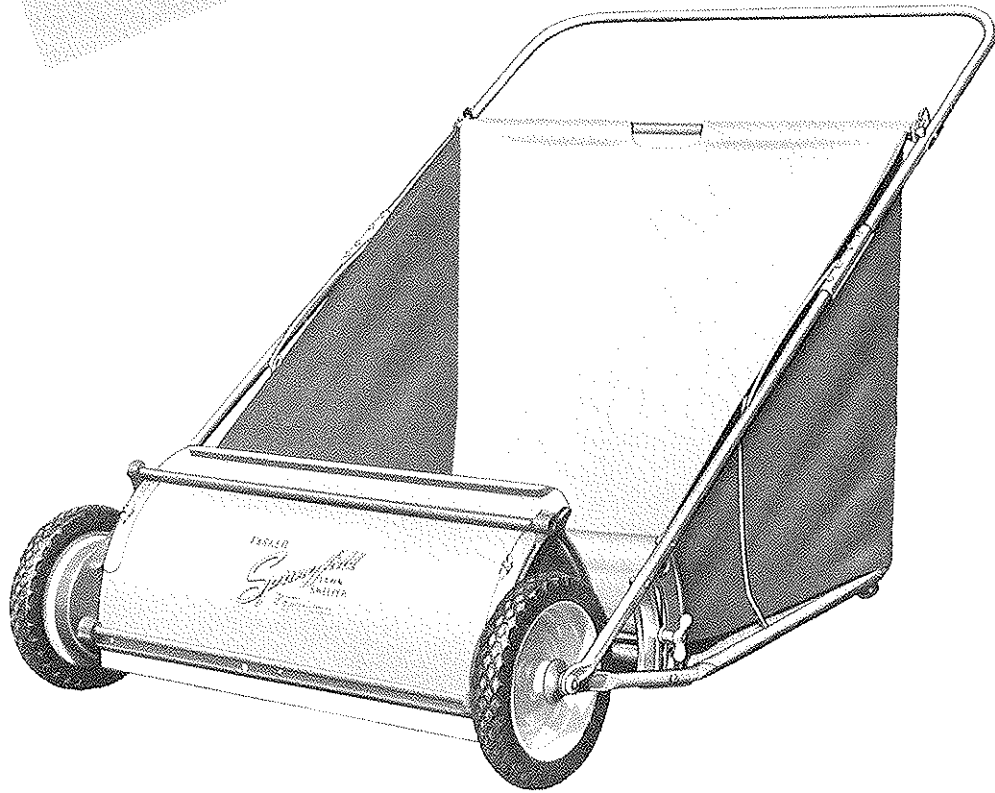
Notice: All copyrighted material remains property of original owners, all trademarks are property of respective owners. Manuals are subject to Manufacturer's reproduction limitations. Originals or reproductions were provided by manufacturers through a request. We make no warranty as to the correctness of information provided in this document and you assume all risk. By placing these manuals on line we are not declaring our corporation to be an manufacturer authorized dealer or provider, please check our web site for authorized manufacturers we represent.

MODEL
SP-5328

PARKER

Springfield

LAWN SWEEPER



OWNERS GUIDE

PARKER
SWEEPER *Company*

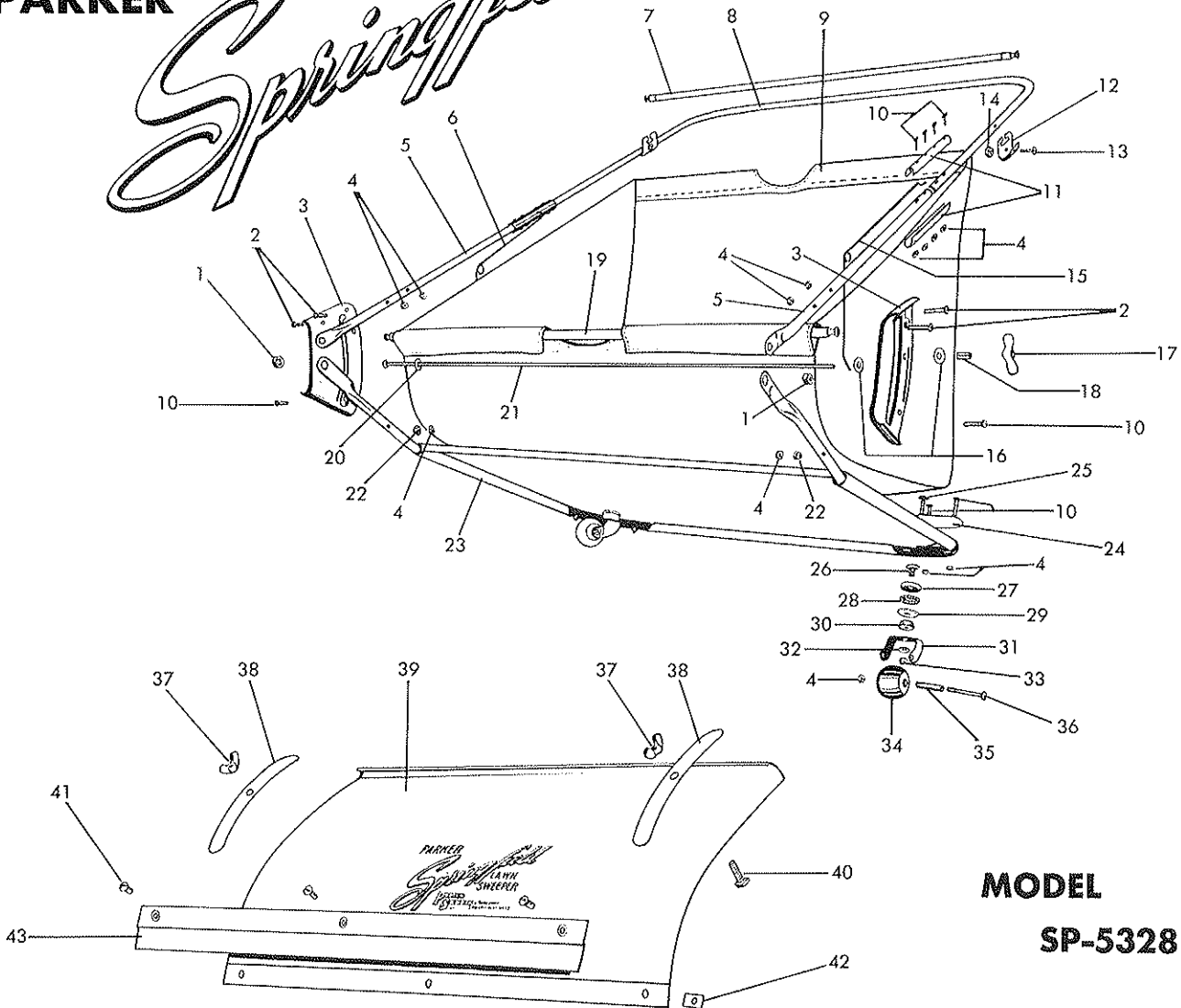
ESTABLISHED 1884 SPRINGFIELD, OHIO · U. S. A.

PARTS LIST AND ASSEMBLY INSTRUCTIONS FOR THE

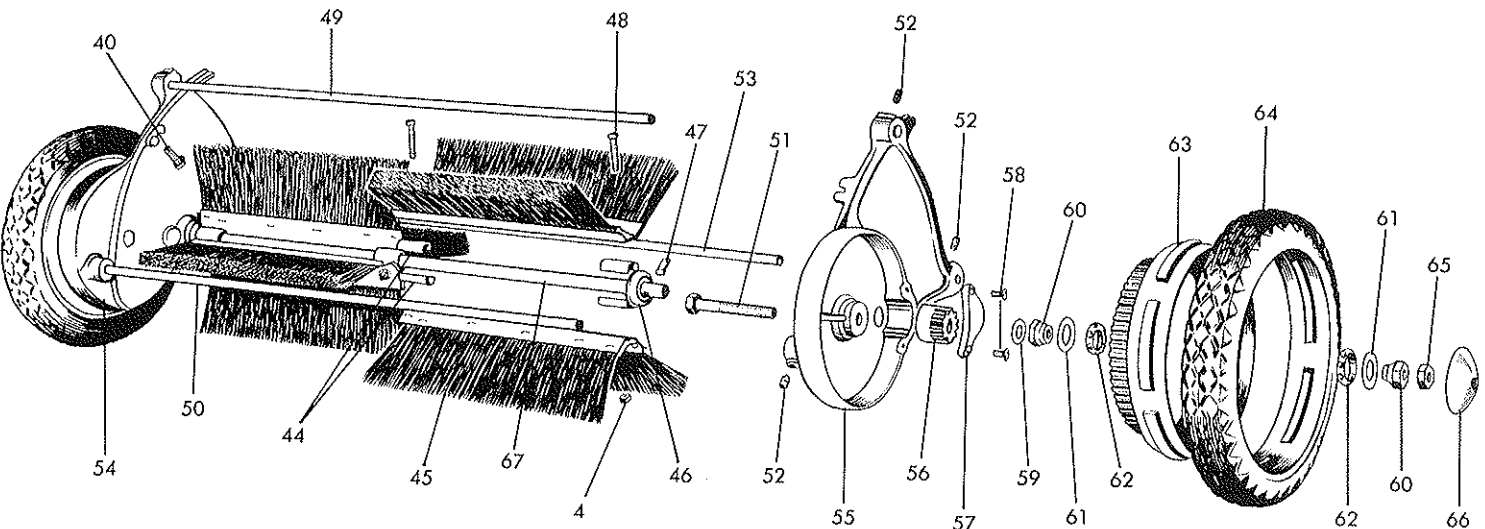
PARKER

Springfield

LAWN SWEEPER



**MODEL
SP-5328**



Parts with description are listed in numerical order on other side.

SPRINGFIELD SP-5328 PARTS LIST

REF. NO.	DESCRIPTION OF PART	PART NO.	NO. REQ.	REF. NO.	DESCRIPTION OF PART	PART NO.	NO. REQ.
1	Light Hex Nut Bolt Grip Lock Nut	966-876	2	35	Roller Axle	45-71A	2
2	Rd. Hd. Mach. Screw 1/4 NC x 1"	515-416-16	4	36	Rd. Hd. Mach. Screw 1/4 N.C. x 2 3/4	515-416-44	2
3	Plate—Adjusting	53-05C	2	37	Wing Nut—3/16 NC x 1 1/4 Wing Span	351-516-17	2
4	Hex Nut—Self Locking	365-416	24	38	Hood Reinforcement	49-11A	2
5	Handle Extension	53-47B	2	39	Hood	53-12C	1
6	Spring—Handle Support Right Side	53-43B	1	40	Square Head Bolt 3/16 NC x 1"	66-516-16	2
7	Rod (Top-Basket)	53-02B	1	41	Rd. Head Mach. Screw 10-24 x 1/2	515-10-8	3
8	Handle	53-48C	1	42	Speed Nut 10-24	346-10	3
9	Basket	53-38D	1	43	Hood Extension	53-17B	1
10	Rd. Hd. Mach. Screw 1/4 NC x 1 1/4	515-416-20	14	44	Brush Bracket	49-17A	8
11	Clamp—Handle	53-44B	4	45	Brush Assembly <i>R/W BK-2</i>	49-8B	4
12	Bracket—Basket Top Rod	53-03A	2	46	Bearing—Reel Shaft <i>R/W 68-60-A</i>	48-336-A	2
13	Rd. Hd. Mach. Screw 10-24 x 1 1/4	515-10-20	2	47	Pawl	45-25A	2
14	Lock Nut	365-10	2	48	Square Head Bolt 1/4 N.C. x 1 1/2	66-416-24	4
15	Spring—Handle Support—Left Side	53-40B	1	49	Top Tie Rod	49-14A	1
16	Washer 3/16 I.D. x 3/4 O.D.	945-416	2	50	Front Tie Rod	45-57A	1
17	Wing Nut 3/16 N.C. x 2 1/2 Wing Span	351-516-40	1	51	Axle	53-35A	2
18	Spacer—Adj. Tube <i>R/W 80-213-A</i>	53-08A	1	52	Allen Hd. Set Screw Cup Point 3/16 NC x 1/2	564-C-516-40	6
19	Rod—Bottom Basket	53-45B	1	53	Adjusting Tube	53-22A	1
20	Washer—Plain S.A.E. 1 1/32 I.D. x 1 1/8 O.D.	960-616	1	54	Right Hand Side Plate	53-32R-E	1
21	Adjusting Bolt—Special	53-28A	1	55	Left Hand Side Plate	53-32L-E	1
22	Spacer Nut	53-18A	1	56	Pinion (Left Hand)	45-19LA	1
23	Frame—Support Assembly	53-37C	1	56	Pinion (Right Hand)	45-18RA	1
24	Caster Mounting Plate	53-02B	2	57	Pinion Cover	48-226A	2
25	Truss Head Screw 3/16 N.C. x 1 1/4	526-516-20	2	58	Flat Head Screw 1/4 N.C. x 1/2	505-416-8	4
26	Retainer	47-216A	2	59	Internal Tooth Lock Washer (Shakeproof Type 12)	936-816	2
27	Race	47-214A	2	60	Cone	53-25A	4
28	Bearing and Retainer	45-22A	2	61	Fiber Washer 1/32 x 7/8 I.D. x 1 1/8 O.D.	946-1416-20	4
29	Seal	45-24A	2	62	Bearing and Retainer	53-27A	4
30	Cone	47-215A	2	63	Wheel <i>R/W 58-14-D-1</i>	5300-C	2
31	Caster Fork	47-218B	2	64	Tire <i>R/W 68-270-B</i>	53-01B	2
32	Washer—Plain 3/8 I.D. x 7/8 O.D.	945-516	2	65	Hex Nut—Light 1/2 N.F.	345-816	2
33	Lock Nut	365-516	2	66	Hub Cap	53-20A	2
34	Roller—Rubber	45-70A	2	67	Reel Shaft	49-7B	1

ASSEMBLY INSTRUCTIONS

Your new Parker Springfield Lawn Sweeper comes to you complete in one carton, ready to operate except for attaching the Handle and fastening the Adjustment Side Plates to the Handle. To do this follow these simple instructions.

1. Remove the two screws from the top of the two Adjustment Side Plates, (Reference No. 3 on drawing) and fasten Plate to the Handle Extensions (Ref. No. 5). Tighten the lock nuts securely.
 2. Remove the two screws from each of the Handle Clamps (Ref. No. 11) and fasten the Handle (Ref. No. 8) into the Clamps and tighten the nuts very securely.
 3. Insert the ends of each of the Handle Support Springs (Ref. No. 6 and 15) into the holes in the Frame (Ref. No. 23).
 4. Place Basket (Ref. No. 9) into brackets and your Parker Springfield is ready to serve you.
- See Operating Instructions for adjusting, maintenance and ordering replacement parts.

OPERATING INSTRUCTIONS

ADJUSTMENTS —

BRUSH HEIGHT: To adjust your new Parker Springfield Lawn Sweeper for brush height, place the left hand on the Hood and the right hand on the Wing Nut (Reference #17 on Parts Drawing). Loosen the Wing Nut and raise or lower the machine with the left hand to the desired height and tighten Wing Nut. Always keep your brushes adjusted as high as possible. This will add to the life of the brushes and also the machine will run with less resistance.

HOOD ADJUSTMENTS: To adjust the Hood, loosen the two Wing Nuts (Reference #37 on Parts Drawing) and raise or lower to the desired height. Always keep the hood low enough in front to prevent the sweepings from throwing ahead of the sweeper, but not so low that it may drag.

OPERATION—The leaves can be removed by dumping the Sweeper over forward or by removing the basket from the sweeper and dumping. If dumping on a fire, avoid getting the brushes or the canvas basket too near the flames.

If the brushes should become bent or deformed from continual use, wet thoroughly with water, and comb out straight with fingers. In severe cases, remove and reverse brushes by turning them end for end. Remember that brush life is prolonged by adjusting the brushes so they contact the sweeping surface lightly.

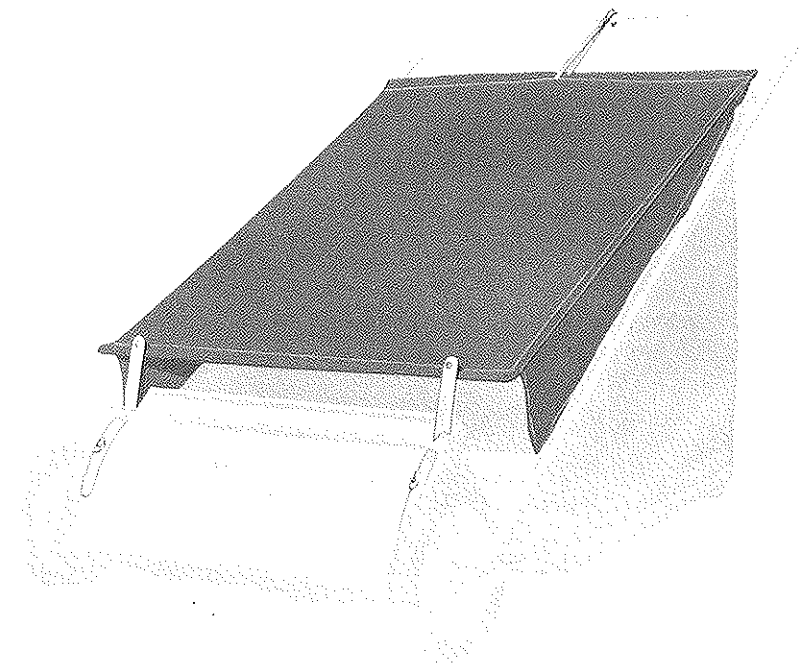
To store, hang against the wall by removing the Handle Support Springs from the lower Frame, collapsing the Basket and facing the rollers to the wall.

MAINTENANCE—The Parker Springfield Lawn Sweeper comes to you lubricated and ready to use. The Reel, Wheel and Caster Bearings are automotive type, sealed, annular bearings, and only need repacking with grease every year or so, depending on how much it is used. The caster wheels may be oiled by dropping a few drops of oil near the axle when the Sweeper is in use.

REPAIR PARTS—To eliminate errors and delay in shipping orders, always give the following information: The Model Number, found on the Left Hand Side Plate; year made or purchased; and Serial Number found on your guarantee card.

"Right" and "Left" refer to the sides of the Sweeper with operator standing at the operating position. Find the part wanted by referring to the drawing, then give the part number, and the quantity desired. Order all parts from your nearest dealer.

To make valid your guarantee, make certain you have returned your serial identification card.



WIND APRON

WS-5328

An optional accessory exclusive with Parker sweepers. The use of a wind apron with your Springfield sweeper makes it possible to use your sweeper on the windiest days. Easily attached.

Order WS-5328 Wind Apron from your Parker Lawn Sweeper Dealer.