



Electronic Service Manuals

This electronic document is provided as a service to our customers. We do not create the contents of the information contained in this document. Should you have detailed questions pertaining to the information contained in this document, you may contact Michco, or the manufacturer which provided the original information in this electronic deliverable. Michco's only part in this electronic deliverable was the electronic assembly process. By providing this manual on line we are not guaranteeing parts availability.

You may contact Michco through the following methods:

Phone (517) 484-9312 or (800) 331-3339

2011 N. High St. -- Lansing, Michigan -- 48906

Fax: (517) 484-9836

Email: CustServe@Michco.com

Web site: www.Michco.Com

Parts Web site: www.FloorMachineParts.Com

Order Parts on Line at:

www.FloorMachineParts.Com

Directly to Parts & Service:

By Email: **Shop@Michco.com**

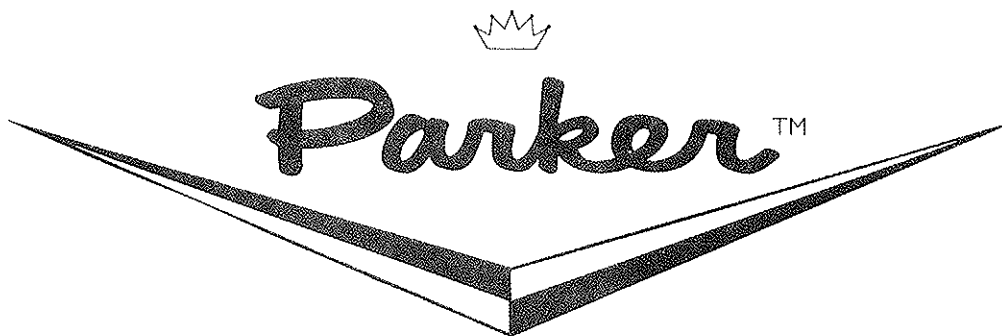
By Fax: (517) 702-2041

By Voice: Use numbers above.

Serving the Cleaning Industry Since 1922

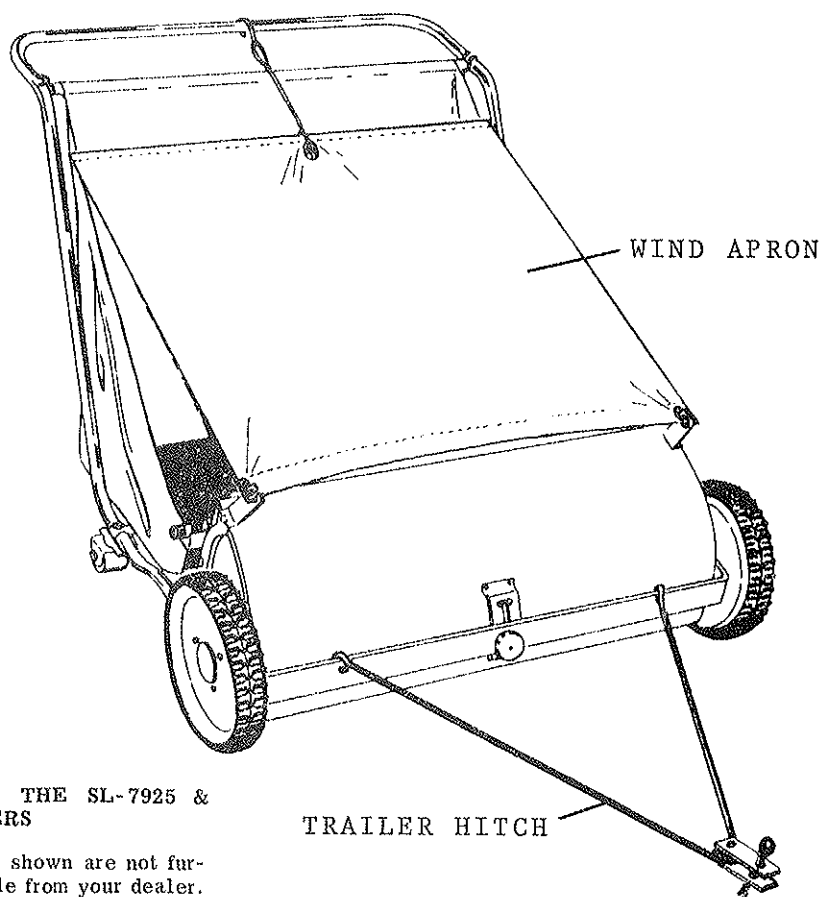
Notice: All copyrighted material remains property of original owners, all trademarks are property of respective owners. Manuals are subject to Manufacturer's reproduction limitations. Originals or reproductions were provided by manufacturers through a request. We make no warranty as to the correctness of information provided in this document and you assume all risk. By placing these manuals on line we are not declaring our corporation to be an manufacturer authorized dealer or provider, please check our web site for authorized manufacturers we represent.

OWNERS GUIDE



SWEEP-A-LAWN

MODEL SL-7925 & SL-7930



ACCESSORIES AVAILABLE FOR THE SL-7925 & SL-7930 SWEEPERS

Wind Aprons and Trailer Hitches as shown are not furnished with the units but are available from your dealer.

By covering the basket front with a "Wind Apron" the grass clippings and/or leaves flow into the basket without deflection on windy days.

The part numbers to use when ordering are:

MA-410-F Wind Apron for SL-7925
MA-395-F Wind Apron for SL-7930

The Trailer Hitch will fit either model and the part number is:

MA-382-B Trailer Hitch

PARKER SWEEPER COMPANY **Box 1728** **Springfield, Ohio 45501**

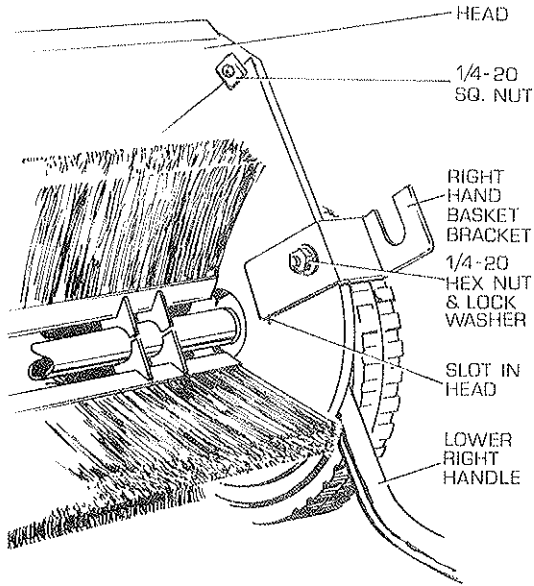
Plate No. 494

ASSEMBLY INSTRUCTIONS

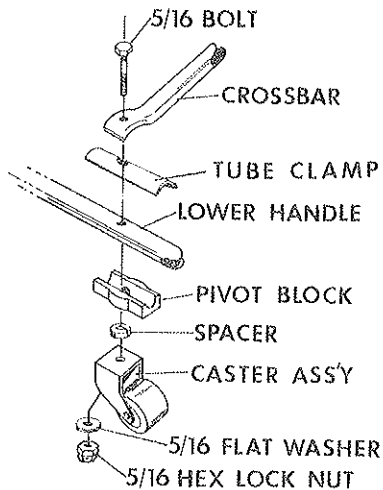
Your Parker Sweep-A-Lawn was packed at the factory in perfect condition. Remove the contents from the cartons but do not discard any cardboard parts until you have completely assembled the sweeper.

IMPORTANT! "Right" and "Left" hand parts are determined from the operator's walking position behind the unit.

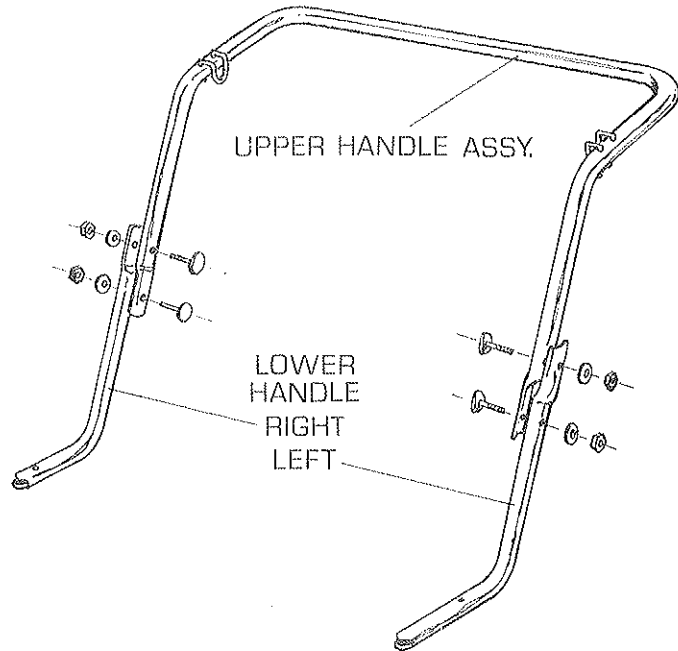
Attach the right lower handle to the "right" side of the sweeping head by placing $\frac{1}{4}$ -20 x $\frac{3}{8}$ " bolt through the lower handle and hole in corner of the hood. Tighten with a square $\frac{1}{4}$ -20 nut. Insert $\frac{1}{4}$ -20 x $1\frac{1}{4}$ " contour head bolt through the lower handle and matching hole in the side plate of the hood. Place "right" hand basket bracket on this bolt inside of the hood, being sure that the short tang fits properly in its slot. Install $\frac{1}{4}$ " lockwasher and $\frac{1}{4}$ " hex head nut on the bolt "finger tight". Repeat for the Left Lower Handle.



Install the casters as shown. Tighten nut on bolt slowly, being sure the spacer is positioned directly in the hole of caster bracket permitting the caster to swivel 360° when the nut is completely tightened.

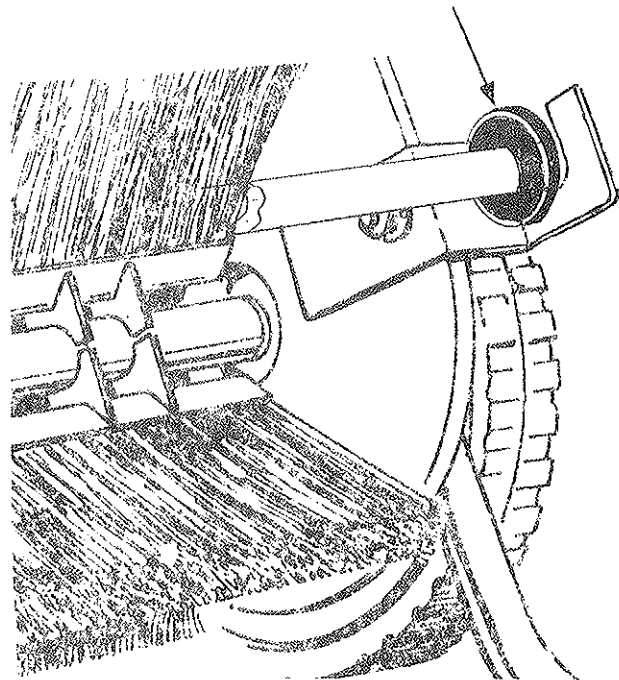


Place wooden basket rods in support brackets. Note - the rubber washer on the wooden lower basket rod should be pressed in the basket bracket. The rod will hold in place by the compressed rubber washer when sweeping over rough ground.



Attach the upper handle to lower handle by using the four remaining contour head bolts, lockwashers and hex head nuts as indicated. Do not over tighten or you may crush the tubing.

Tighten all nuts and bolts that were only "finger tightened".



OPERATION AND MAINTENANCE INSTRUCTIONS

Your Parker Sweeper is designed and constructed with heavy duty precision parts to stand up under the most rugged conditions. To maintain the efficiency of the sweeper please follow these instructions.

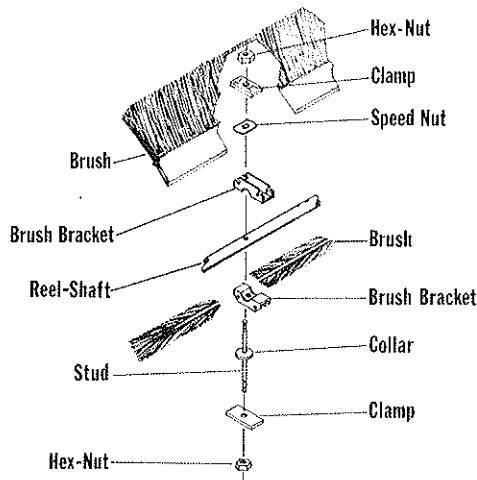
1. **LUBRICATION** - Prior to each use place several drops of oil in the oil holes on the inside of each wheel cover and in the notch of each hub cap. Frequent oiling will lengthen service life.
2. **BASKET CARE** - The basket should be emptied after each use, especially if the debris is damp.
3. **BRUSH REMOVAL** - Turn the sweeper upside down on a work bench or the ground. Notice the Brush Stud has a collar fitting against one of the Brush Brackets holding it against the Reel Shaft. Remove the Hex Nut and Brush Clamp from the Stud on the end with collar. Remove these from all three studs. Remove the two brushes from the Brush Bracket Slots. Now remove the Hex Nuts and Brush Clamps from the opposite end of the studs. **DO NOT** remove the Speed Nut or the Stud will fall from the hole in Reel Shaft releasing the Brush Brackets.
4. **TO REPLACE BRUSHES** - Turn the Reel Shaft so you can position the Brush Strips in the slots of the Brush Brackets that are held on Stud by the Speed Nut. Position the Brush Clamps and finger tighten Hex Nuts.

Turn the Reel Shaft so the installed Brush Strips are on the bottom. Repeat the sequence of installation for the remaining two brushes. Tighten all nuts.
5. **PINIONS** - The Pinions should not be removed from the reel shaft unless the pinions or rollers are suspect of breakage or excess wear. If removal is necessary, the hub cap, cotter pin, wheel and washers must be removed from the axle. The pinions rotate freely on the reel shaft and only have to be slipped off the shaft. When removing the pinions, the rollers and plastic tubes will become displaced. To re-install the pinions refer to instruction of replacement of pinions.

BRUSH HEIGHT ADJUSTMENT

Adjust brush height by raising or lowering the bar across the front of the hood. The correct setting is to have brushes touch the top of the grass. To clean side walks the brushes should be lowered to just touching the pavement. Be sure that the hand knob on the front is securely tightened when you have proper adjustment.

Now your sweeper is ready to use.



ALWAYS GIVE THE FOLLOWING INFORMATION WHEN ORDERING REPAIR PARTS:

1. PART NUMBER (Not Item No.)
2. QUANTITY NEEDED
3. DESCRIPTION OF PART
4. MODEL NO. SL-7925 or SL-7930

If unable to obtain parts locally, write down above information and send to:

PARKER SWEEPER CO., BOX 1728, SPRINGFIELD, OHIO 45501

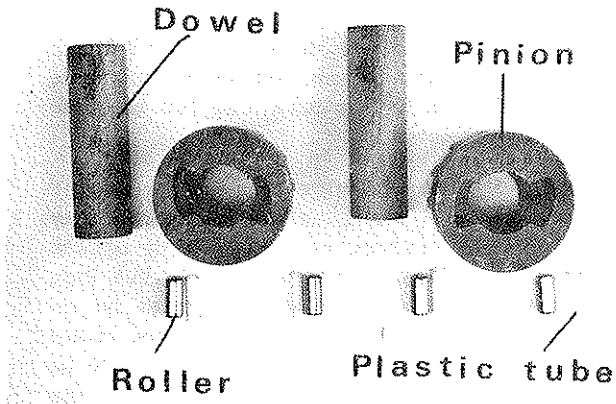
Your unit is right hand (R.H.) or left hand (L.H.) as you stand behind it.

IMPORTANT

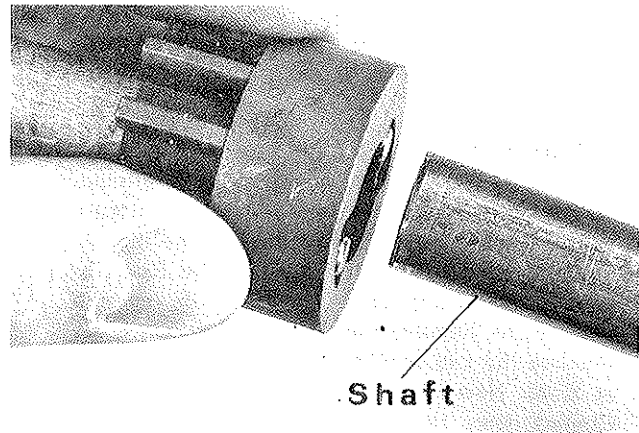
HOW TO RE-INSTALL PINIONS IN MANUAL OR TRAILING SWEEPERS

If for some reason you have found it necessary to remove the pinions, you should carefully follow the following instructions.

- (1) To assist you, we suggest using a piece of wood doweling or plastic material $\frac{1}{8}$ " diameter, 2" long as shown. Each pinion is different as indicated by the part number and must be returned to the correct side of the shaft.



- (4) Pinion with part number **74-79 BL** is to be replaced on the **left side** of the shaft. Part Number **74-78BR** is for the **right side**. Line up the pinion (leaving the dowel in place) with the shaft as shown.

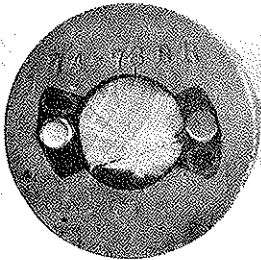


- (2) Insert the wooden dowel into the pinion.

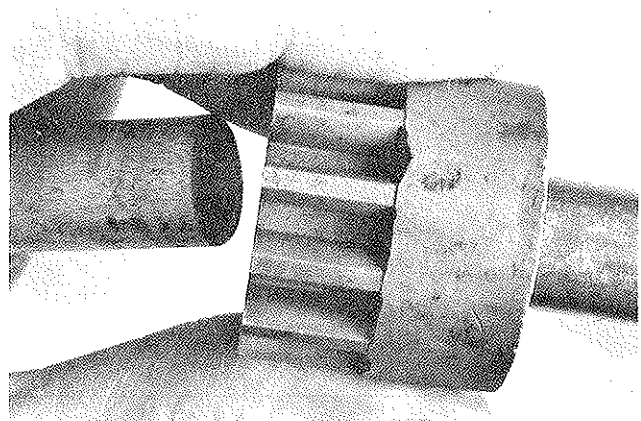
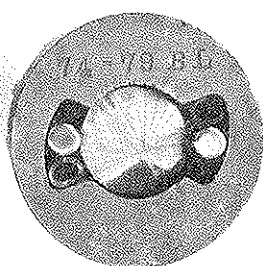
- (3) Identify your pinion part number and insert the metal rollers. Place the plastic tubing in the cavity between the metal roller and the wall of the cavity. You may have to force the plastic tubing into this space but it is resilient and is supposed to fit lightly.

- (5) Push the pinion onto the shaft which will force the dowel to back out of the pinion. This will leave the rollers and plastic tubes in their proper position.

74 78 BR



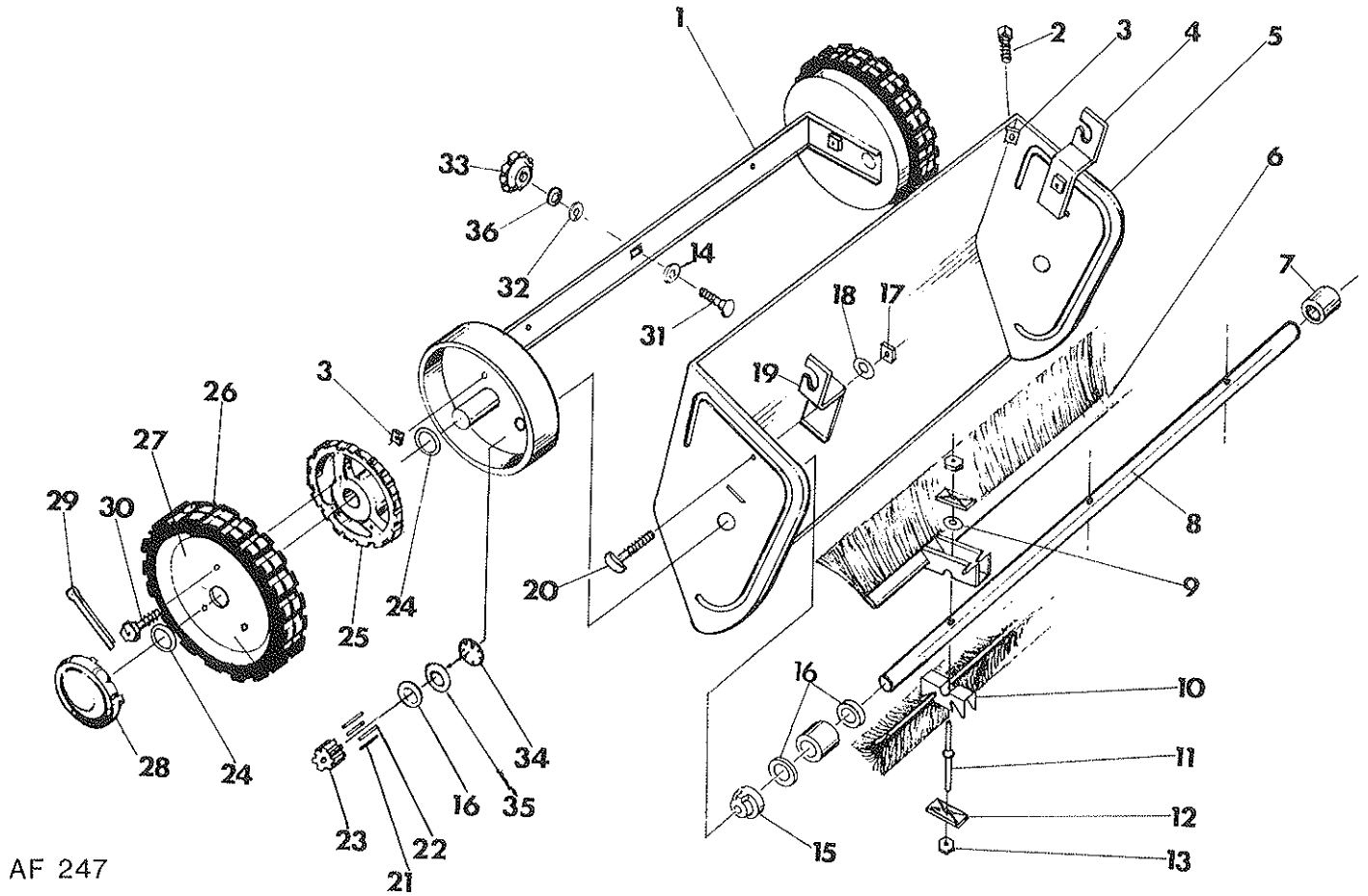
74 79 BL



- (6) Apply a coating of grease on the outside of the pinion gear teeth and the wheel gear teeth. Replace the wheel.

Note! The right and left side are determined from the operators position.

CHASSIS ASSEMBLY

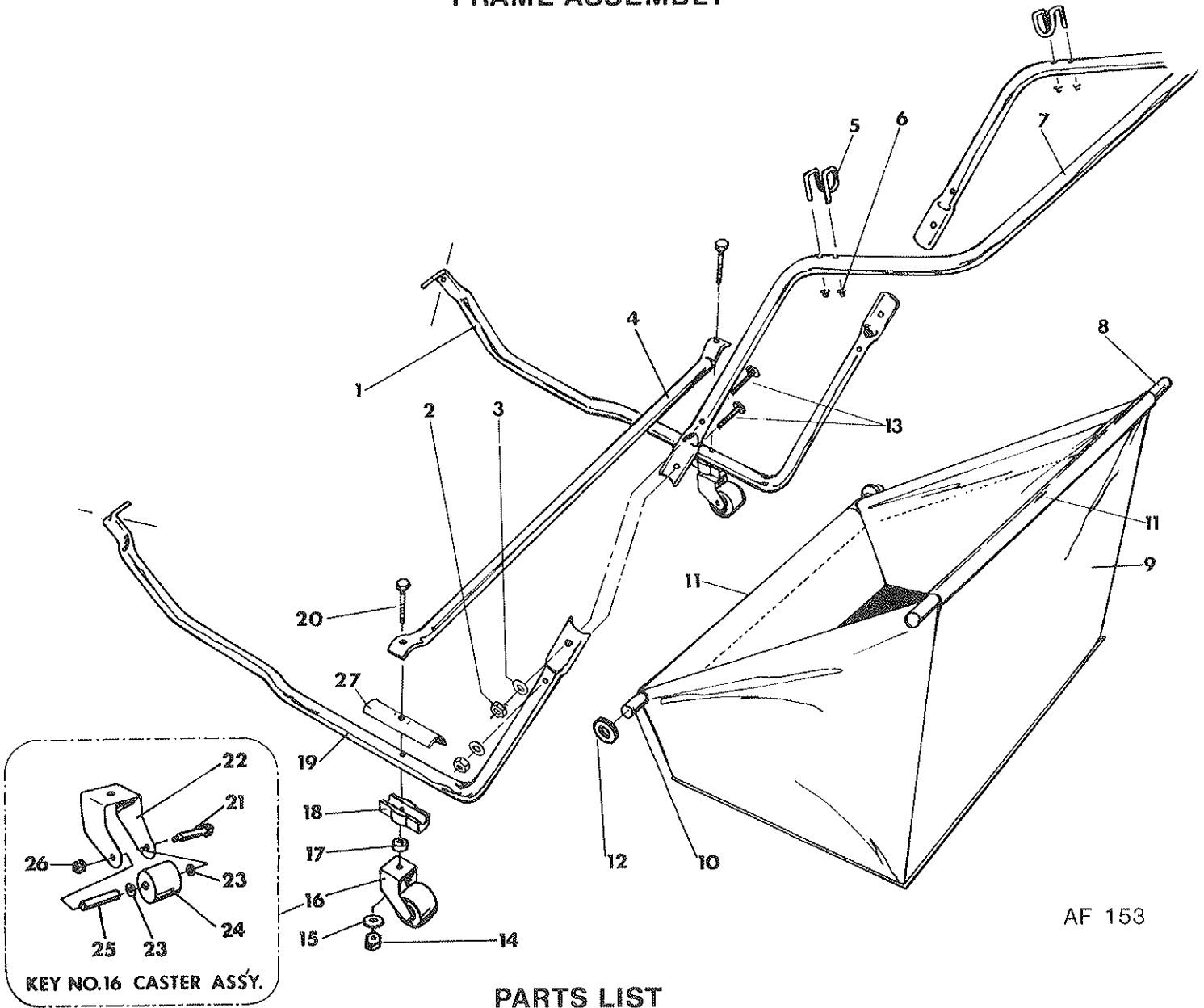


AF 247

PARTS LIST

Ref. No.	Part No.	Qty. Per Unit	Description	Ref. No.	Part No.	Qty. Per Unit	Description
1	78-173-D	1	Frame Assembly 25"	18	935-416	2	1/4" Spring Lock Washer
1	78-174-C	1	Frame Assembly 30"	19	62-100 -LB	1	L.H. Basket Bracket
2	65-416-12	2	Bolt 1/4-20x3/4 Hex. Hd.	20	69-416-20	2	1/4-20x1 1/4 Contour Hd. Bolt
3	355-416	8	1/4-20 Square Nut	21	74-80 -A	4	Pawl
4	62-99-RB	1	R.H. Basket Bracket	22	76-37 -A	4	Roller Spring
5	78-175-F	1	Hood Assembly 25"	23	74-78-RB	1	Pinion Right Hand
5	78-176-F	1	Hood Assembly 30"	23	74-79-LB	1	Pinion Left Hand
6	1200-24 -B	4	Brush Assembly 25"	24	946-1216-20	4	3/4 Fiber Washer
6	1200-30 -B	4	Brush Assembly 30"	25	59-26 -C P	2	Gear
7	78-17-A	2	Reel Spacer	26	78-124 -C	2	Tire
8	78-16 -B	1	Reel Shaft 25"	27	59-20 -C	4	Wheel Rim
8	78-32 -B	1	Reel Shaft 30"	28	59-46	2	Hub Cap
9	75-89 -A	3	Stud Retainer	29	380-332-16	2	3/32x1 Cotter Pin
10	74-13-C	6	Brush Bracket	30	79-41-A	6	1/4-20x1/2 Whiz Lock Screw
11	74-16 -A	3	Brush Stud	31	70-516-16	1	5/16-18x1 Carriage Bolt
12	69-04 -A	6	Brush Clamp	32	935-516	1	5/16 Spring Lock Washer
13	362-416	6	1/4-20 Hex. Lock Nut	33	79-94 -A	1	Hand Knob
14	79-104 -	1	Special Washer 7/16" Nylon	34	79-104 -A	2	Retaining Ring
15	69-233 -A	2	Reel Bushing	35	946-1016-16	2	Fiber Washer, 5/8
16	50-33 -A	6	5/8" Special Washer	36	945-516	1	5/16 Flat Washer
17	335-416	2	1/4-20 Hexagon Nut				

FRAME ASSEMBLY



AF 153

PARTS LIST

Ref. No.	Part No.	Qty. Per Unit	Description	Ref. No.	Part No.	Qty. Per Unit	Description
1	78-20-C	1	Lower Handle - R.H.	12	78-162-	2	Rubber Washer 83-206-A
2	335-416	4	1/4-20 Hex. Nut	13	69-416-20	4	1/4-20x1 1/4 Contour Hd. Bolt
3	935-416	4	1/4" Spring Lockwasher	14	365-516	2	5/16-18 Hex. Lock Nut
4	78-25-B	1	Handle Crossbar 25"	15	55-156-A	2	5/16 Special Washer
4	78-40	1	Handle Crossbar 30" 80-109-B	16	SA-706-B	2	Caster Assembly
5	76-415	2	Basket Support 80-110-A	17	74-126-A	2	Spacer
6	77-10-A	4	3/16 Pushnut	18	59-68	2	Pivot Block
7	78-22-C	1	Upper Handle 25"	19	78-21-C	1	Lower Handle - L.H.
7	78-39-C	1	Upper Handle 30"	20	65-516-28	2	5/16-18x1 3/4 Hex. Hd. Bolt
8	78-19-A	1	Upper Basket Rod 25"	21	65-416-44	2	1/4-20x2 3/4 Hex. Hd. Bolt
8	78-38-A	1	Upper Basket Rod 30"	22	78-55-B	2	Caster Fork
9	76-291-	1	Basket Assembly 25"	23	945-616	4	3/8" Flat Washer
9	78-33-D	1	Basket Assembly 30"	24	78-56-A	2	Roller
10	74-81-A	1	Lower Basket Rod 25"	25	78-65-A	2	Roller Bushing
10	78-37-A	1	Lower Basket Rod 30"	26	364-416	2	1/4-20 Hex. Lock Nut
11	62-171	2	Staple 82-236-B	27	79-80	2	Tube Clamp 59-77-A