



## Electronic Service Manuals

This electronic document is provided as a service to our customers. We do not create the contents of the information contained in this document. Should you have detailed questions pertaining to the information contained in this document, you may contact Michco, or the manufacturer which provided the original information in this electronic deliverable. Michco's only part in this electronic deliverable was the electronic assembly process. By providing this manual on line we are not guaranteeing parts availability.

You may contact Michco through the following methods:

Phone (517) 484-9312 or (800) 331-3339

2011 N. High St. -- Lansing, Michigan -- 48906

Fax: (517) 484-9836

Email: [CustServe@Michco.com](mailto:CustServe@Michco.com)

Web site: [www.Michco.Com](http://www.Michco.Com)

Parts Web site: [www.FloorMachineParts.Com](http://www.FloorMachineParts.Com)

Order Parts on Line at:

**[www.FloorMachineParts.Com](http://www.FloorMachineParts.Com)**

Directly to Parts & Service:

By Email: **[Shop@Michco.com](mailto:Shop@Michco.com)**

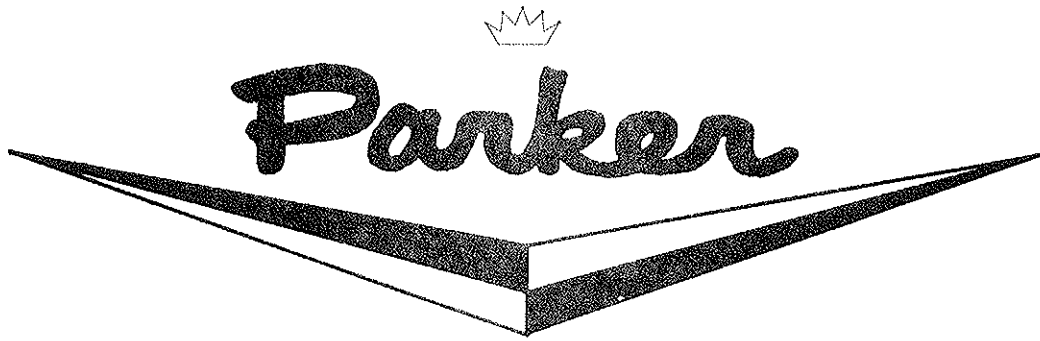
By Fax: (517) 702-2041

By Voice: Use numbers above.

**Serving the Cleaning Industry Since 1922**

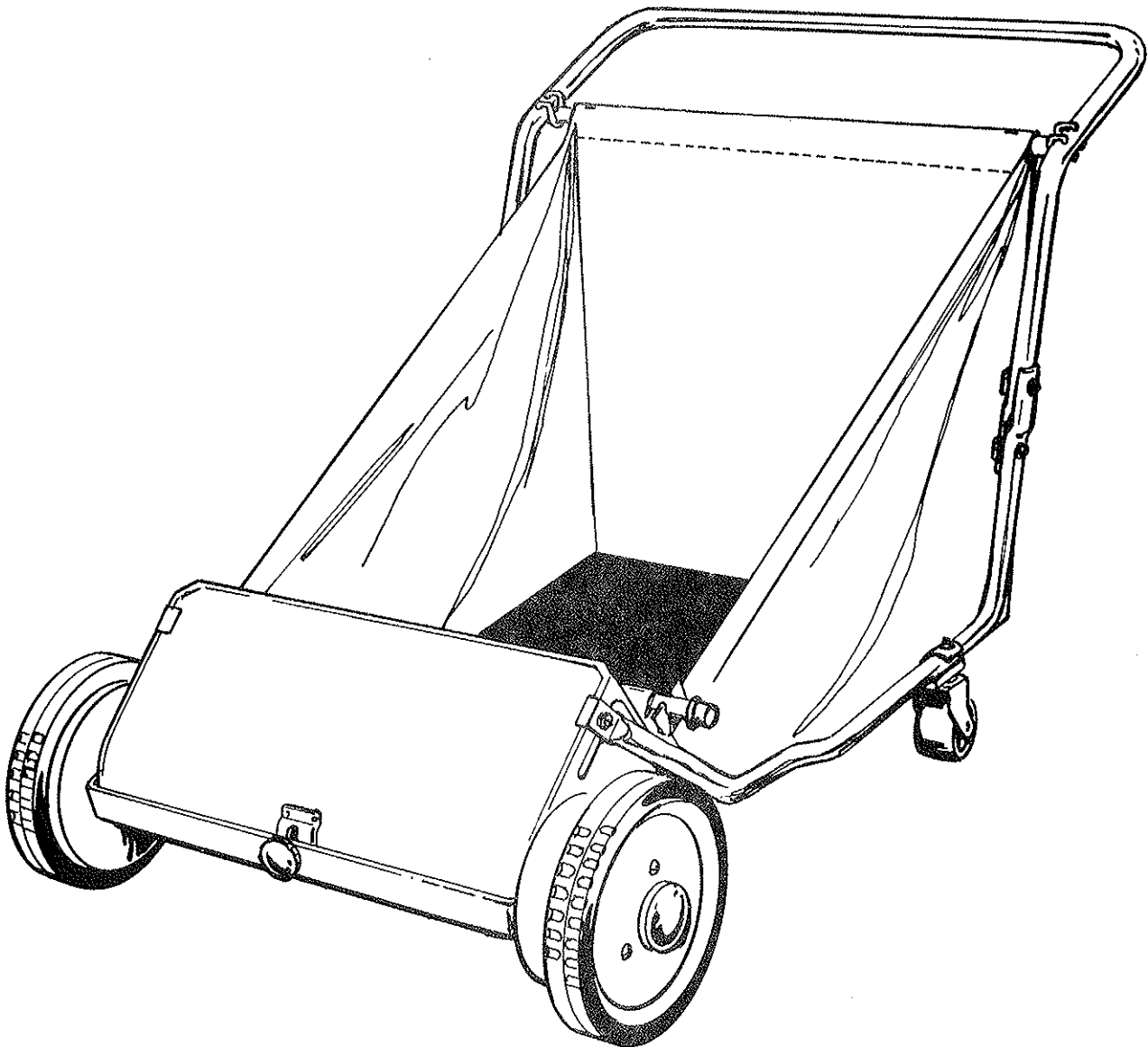
Notice: All copyrighted material remains property of original owners, all trademarks are property of respective owners. Manuals are subject to Manufacturer's reproduction limitations. Originals or reproductions were provided by manufacturers through a request. We make no warranty as to the correctness of information provided in this document and you assume all risk. By placing these manuals on line we are not declaring our corporation to be an manufacturer authorized dealer or provider, please check our web site for authorized manufacturers we represent.

# OWNERS GUIDE



## SWEEP-A-LAWN

MODEL SL-7825 & SL-7830



**PARKER SWEEPER COMPANY    Box 1728    Springfield, Ohio 45501**

# ASSEMBLY INSTRUCTIONS

## MODEL SL-7825 & SL-7830

Your Parker "Sweep-A-Lawn" is shipped complete in one carton. Remove the contents. Inside the carton you should find the head assembly and the following loose parts.

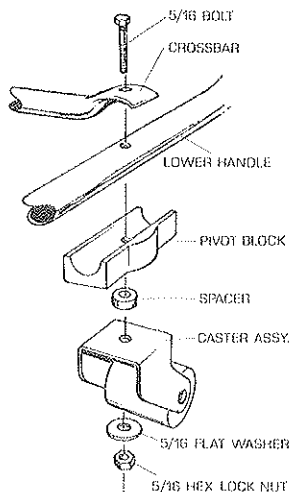
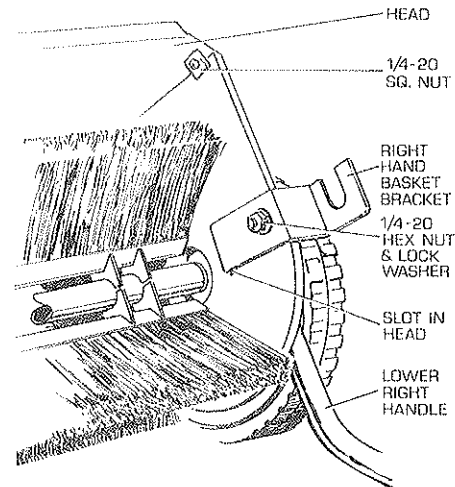
1-78-20	Lower Handle RH	1-SA-708	Hardware Package
1-78-21	Lower Handle LH	2-SA-706	Caster Sub Assembly
1 (SA-707	Upper Handle Assy. 25"	1 (SA-590	Basket Assembly 25"
1 (SA-713	Upper Handle Assy. 30"	1 (SA-712	Basket Assembly 30"
		1 (78-25	Handle Cross Bar 25"
		1 (78-40	Handle Cross Bar 30"

The plastic hardware bag should contain

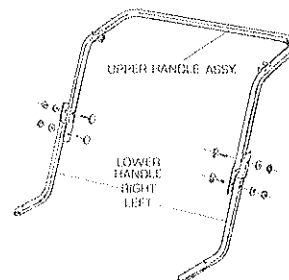
2-65-416-12	Hexagon Head Bolt 1/4-20 x 3/4	1-62-99	Basket Bracket RH
2-355-416	Square Nut 1/4-20	1-62-100	Basket Bracket LH
6-69-416-20	Contour Head Bolt 1/4-20 x 1 1/4	2-54-227	Spacer
6-935-416	Spring Lock Washer 1/4"	2-55-156	Special Washer 5/16
6-335-416	Hexagon Nut 1/4-20	2-59-68	Pivot Block
		2-65-516-28	Bolt 5/16-18 x 1 1/4
		2-365-516	Lock Nut 5/16

Do not discard any of the carton or inserts until after the machine is completely assembled. You will need a 7/16" wrench and two 1/2" wrenches to assemble this machine. The left or right side of the machine is determined from the operator's position at the rear of the machine.

Place the sweeper head assembly on a work bench or table of convenient height with the front of the machine facing away from you. Select a lower handle and attach it to the head using one 1/4-20 x 3/4 bolt and one of the square nuts. Now, insert one of the 1/4-20 x 1 1/4" contour head bolts through the hole in the lower handle and through the matching hole in the head. Install one of the basket brackets over this bolt, being certain that the large opening for the basket rod is facing upward and the short tang on the end of the bracket fits into the slot in the head. Install a 1/4" lockwasher and 1/4" hexagon nut on this bolt and tighten "finger tight". Now, using the procedure outlined above, install the second lower handle and the basket bracket on the opposite side of the head.



To attach the casters to the handles, first place the handle crossbar on top of the lower handles and insert one of the 5/16" bolts through each of the two holes in the crossbar and through the holes in the lower handles. The head of the bolt should be on top of the crossbar. Now, over the threaded end of the bolt, install a pivot block, a spacer, a caster fork assembly, a flat washer and a 5/16" locknut. Tighten the bolt and locknut with 1/2" wrenches being careful that the little spacer is in the hole in the caster fork and is sandwiched between the pivot block and the flat washer. This is important in order to allow the casters to pivot.



Attach the upper handle to the lower ones, using four contour head bolts, lockwasher and hexagon nuts. Now, tighten all eight handle bolts with a wrench.

Now, set the machine on the ground, unroll the basket and place the basket rods in the support brackets and the machine is ready to operate.

# OPERATING INSTRUCTIONS

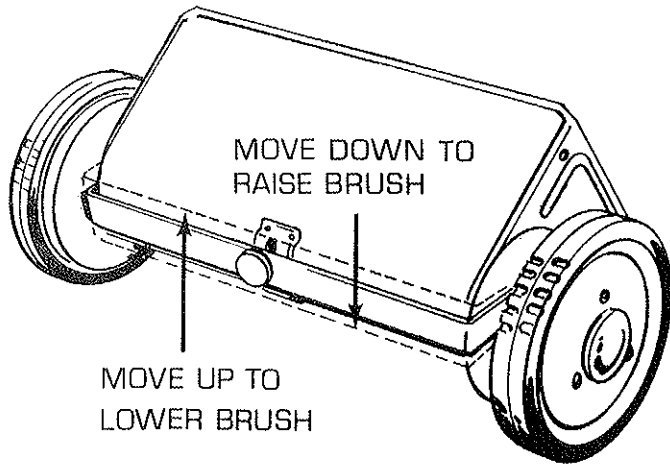


Figure 4

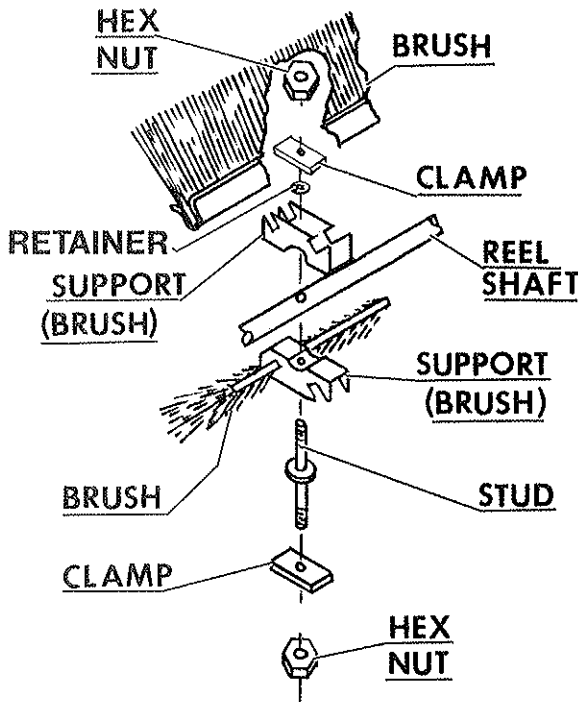


Figure 5

## BRUSH HEIGHT ADJUSTMENT

Fig. 4 - Loosen the hand knob on the front of the machine and raise or lower the bar across the front of the machine to raise or lower the brushes. **Raise** the bar to **Lower** the brushes and **Lower** the bar to **Raise** the brushes. The correct brush setting is to just touch the top of the grass. **NOTE:** If the sweeper pushes hard, the brushes are set too low.

## CARE AND BRUSH REPLACEMENT

Should the brushes become bent from use, reverse the brushes on the reel shaft. Never allow the brush bristles to remain in a bent position, as they can take a set.

## TO REMOVE BRUSHES

Turn the Sweeper upside down on the ground. Notice the Stud has a collar against the Support holding it against the Reel Shaft.

Fig. 5 - Remove the Hex Nuts, Washers and Clamps from the Stud on the end having the 2 swage or collar. Remove the Brushes from the Brush Bracket Slots, (3 places). Now remove the Hex Nuts, Washers and Clamps from the opposite end of the Studs. Do not remove the Speed Nuts or the Studs will fall away from the Reel Shaft (3 places).

## TO REPLACE BRUSHES

Fig. 5 - Turn the Reel Shaft so you can position the Brush Strips in the slots on the Brush Bracket that are being held on the Stud and Shaft by the Speed Nut. Position the Clamps, Washers and Hex Nuts, center the Brush Strips between the Side Plates, then tighten the Hex Nuts.

Turn the Reel Shaft so the Brushes are on the bottom side. Now place the Brush strips in the slots on the Brush Brackets, on the top side. Position the Clamps, Washers and Hex Nuts. Center the Brush Strips between the Side Plates, then tighten the Hex Nuts.

## BASKET CARE

The Basket should always be emptied immediately after each time the Sweeper is used, especially if the grass or leaves are wet or damp. Allowing the Basket to keep dry will lengthen its service life.

## LUBRICATION

Ref. Fig. 4 & 6 - Place a few drops of oil in the 2 Oil Holes on the inside of each Wheel Cover (Frame Assembly, Item 4) and in the notch on each Hub Cap, each time before using the Sweeper. Frequent oiling of the Sweeper will lengthen the service life.

## STORAGE

Your Sweeper can be stored in a minimum of space. Remove the Basket from the Sweeper, be sure it is empty of debris, then hang it on the wall. The Sweeper can also be hung on the wall by its Handle.

## ALWAYS GIVE THE FOLLOWING INFORMATION WHEN ORDERING REPAIR PARTS:

1. PART NUMBER (Not Ref. No.)
2. QUANTITY NEEDED
3. DESCRIPTION OF PART
4. MODEL No. SL-7825

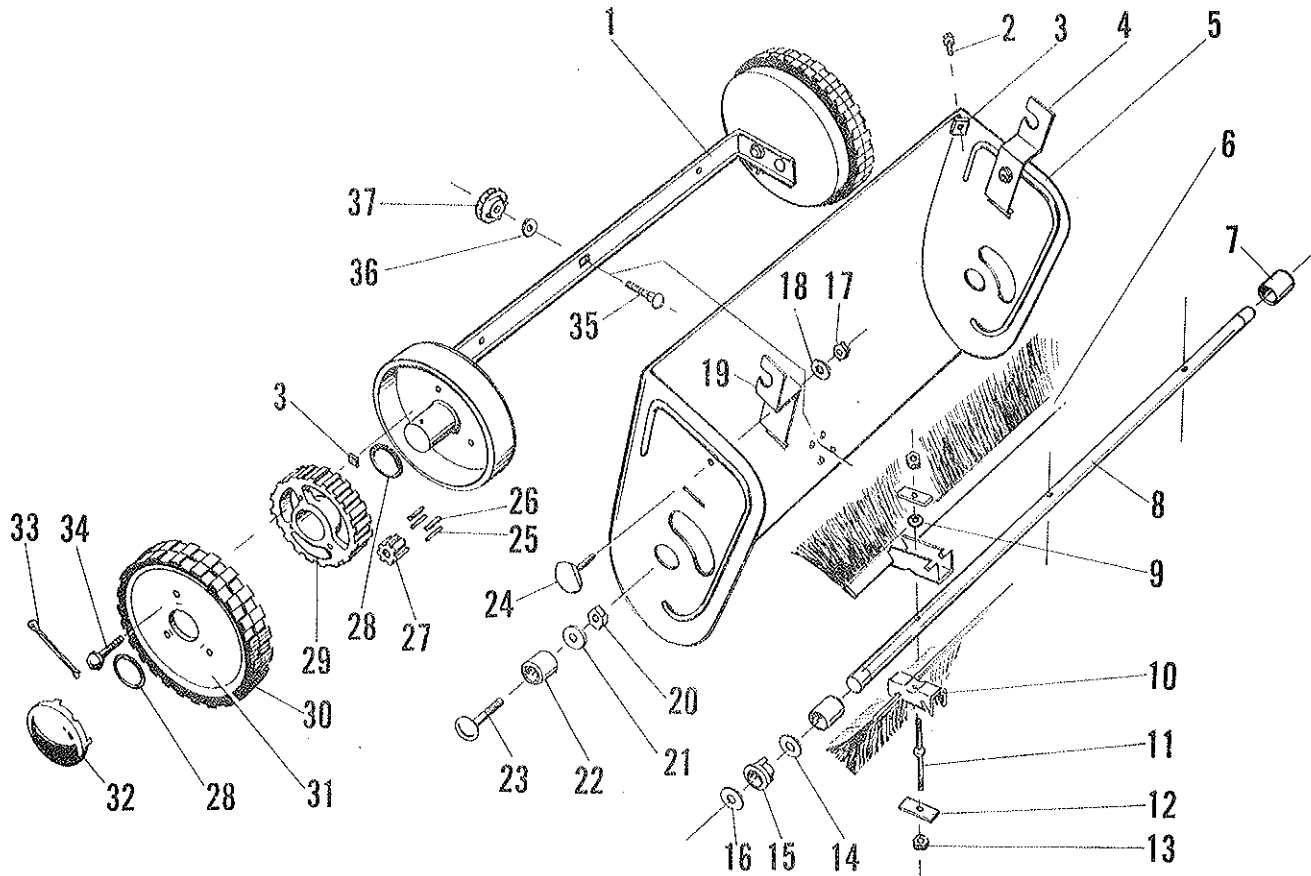
If unable to obtain parts locally, write down above information and sent to:

**PARKER SWEEPER CO., BOX 1728, SPRINGFIELD, OHIO 45501**

Your unit is right hand (R.H.) or left hand (L.H.) as you stand behind it.

**IMPORTANT**

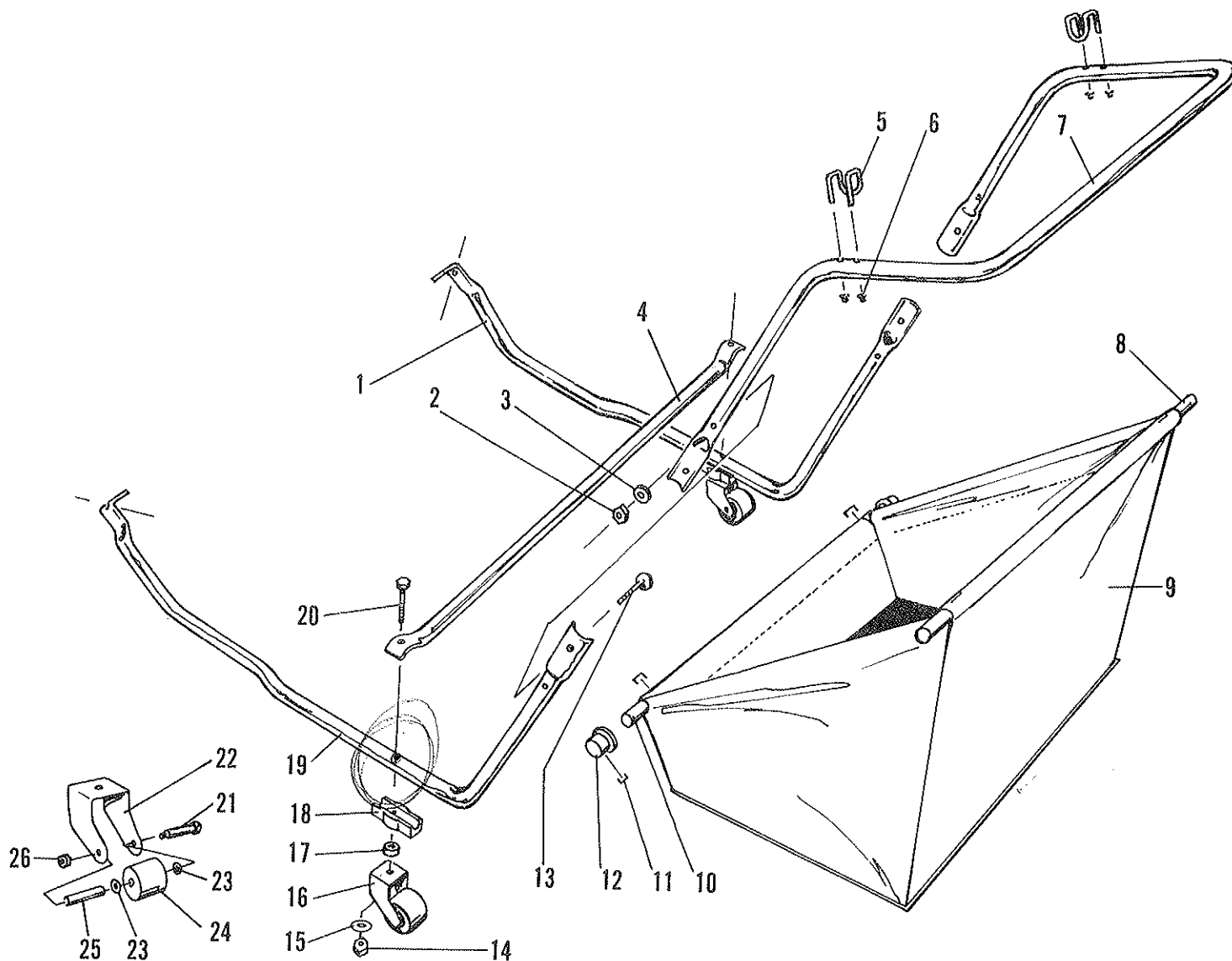
CHASSIS ASSEMBLY



PARTS LIST

Ref. No.	Part No.	Qty. Per Unit	Description of Part	Ref. No.	Part No.	Qty. Per Unit	Description of Part
1	59-43	1	Frame Assembly 25"	18	935-416	2	1/4" Spring Lock Washer
1	78-29	1	Frame Assembly 30"	19	62-100	1	Left Hand Basket Bracket
2	65-416-12	2	Bolt 1/4-20 x 3/4 Hexagon Head	20	335-516	2	5/16-18 Hexagon Nut
3	355-416	8	1/4-20 Square Nut	21	945-516	2	5/16 Flat Washer
4	62-99	1	Right Hand Basket Bracket	22	59-29	2	Spacer
5	59-48	1	Hood Assembly 25"	23	59-55	2	5/16-18 x 3/4 Sems Screw
5	78-27	1	Hood Assembly 30"	24	69-416-20	2	1/4-20 x 1 1/4 Contour Head Bolt
6	1200-24	4	Brush Assembly 25"	25	74-80	4	Pawl
6	1200-30	4	Brush Assembly 30"	26	76-37	4	Pawl Spring
7	78-17	2	Reel Spacer	27	74-78	1	Pinion Right Hand
8	78-16	1	Reel Shaft 25"	27	74-79	1	Pinion Left Hand
8	78-32	1	Reel Shaft 30"	28	946-1216-20	4	3/4 Fiber Washer
9	75-89	3	Stud Retainer	29	74-39	2	Gear
10	74-13	6	Brush Bracket	30	63-224	2	Tire
11	74-16	3	Brush Stud	31	59-20	4	Wheel Rim
12	69-04	6	Brush Clamp	32	59-46	2	Hub Cap
13	362-416	6	1/4-20 Hexagon Lock Nut	33	380-332-16	2	3/32 x 1 Cotter Pin
14	55-161	2	5/8 Special Washer	34	59-54	6	1/4-20 x 1/2 Truss Head Screw
15	69-233	2	Reel Bearing	35	70-516-16	1	5/16-18 x 1 Carriage Bolt
16	50-33	2	5/8" Special Washer	36	935-516	1	5/16 Spring Lock Washer
17	335-416	2	1/4-20 Hexagon Nut	37	59-47-B4	1	Hand Knob

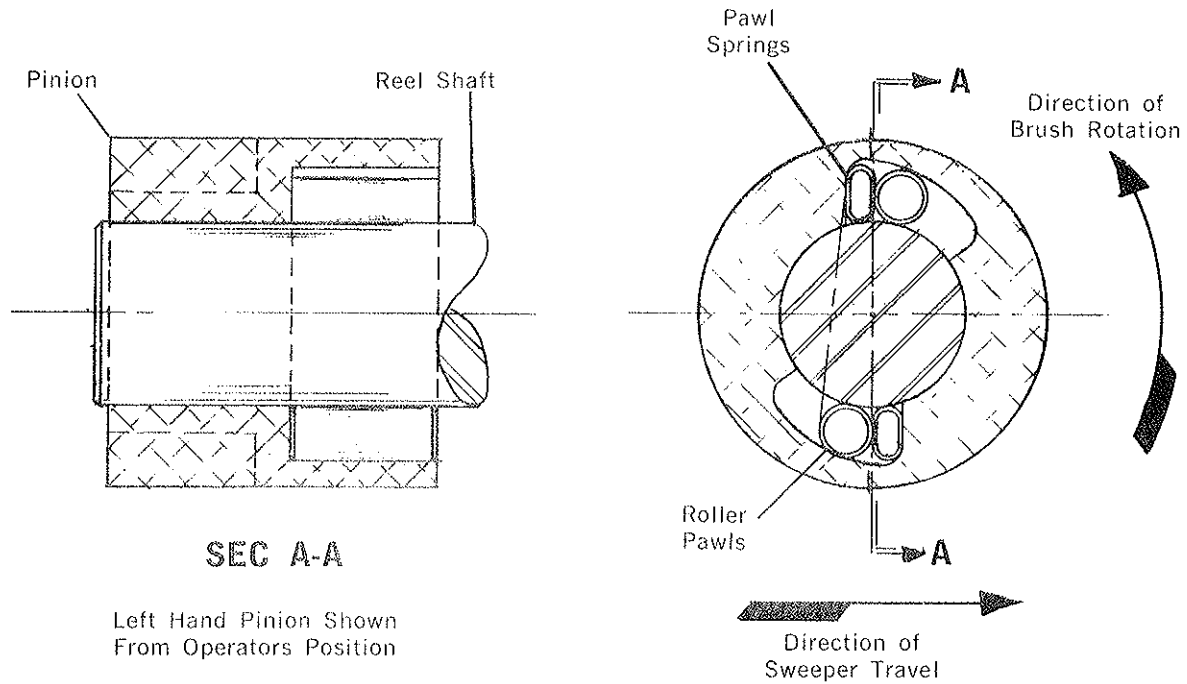
FRAME ASSEMBLY



PARTS LIST

Ref. No.	Part No.	Qty. Per Unit	Description of Part	Ref. No.	Part No.	Qty. Per Unit	Description of Part
1	78-20	1	Lower Handle - Right Hand	12	74-131	2	End Cap
2	335-416	4	1/4-20 Hexagon Nut	13	69-416-20	4	1/4-20 x 1 1/4 Contour Head Bolt
3	935-416	4	1/4" Spring Lockwasher	14	365-516	2	5/16-18 Hexagon Lock Nut
4	78-25	1	Handle Crossbar 25"	15	55-156	2	5/16 Flat Washer
4	78-40	1	Handle Crossbar 30"	16	SA-706	2	Caster Assembly
5	76-415	2	Basket Support	17	54-227	2	Spacer
6	77-10	4	3/16 Pushnut	18	59-68	2	Pivot Block
7	78-22	1	Upper Handle 25"	19	78-21	1	Lower Handle-Left Hand
7	78-39	1	Upper Handle 30"	20	65-516-28	2	5/16-18 x 1 3/4 Hexagon Head Bolt
8	78-19	1	Upper Basket Rod 25"	21	65-416-44	2	1/4-20x 2 1/4 Hexagon Head Bolt
8	78-38	1	Upper Basket Rod 30"	22	78-55	2	Caster Fork
9	76-291	1	Basket Assembly 25"	23	945-616	4	3/8" Flat Washer
9	78-33	1	Basket Assembly 30"	24	78-56	2	Roller
10	74-81	1	Lower Basket Rod 25"	25	78-65	2	Roller Bushing
10	78-37	1	Lower Basket Rod 30"	26	364-416	2	1/4-20 Hexagon Lock Nut
11	62-171	8	Staple				

**ASSEMBLY INSTRUCTIONS  
FOR  
PINION-ROLLER PAWLS & PAWL SPRINGS**



**Figure 7**

Ref. Fig. 7 - If for any reason it is necessary to remove the Pinion Gear, be sure the Pinion Gear Roller Pawls and Pawl Springs are reassembled in their correct position as shown in Fig. 7. Both right and left Pinion Gears must be turning the right direction so the Brush Reel is turning toward the operator when the Sweeper is pushed forward.