



Electronic Service Manuals

This electronic document is provided as a service to our customers. We do not create the contents of the information contained in this document. Should you have detailed questions pertaining to the information contained in this document, you may contact Michco, or the manufacturer which provided the original information in this electronic deliverable. Michco's only part in this electronic deliverable was the electronic assembly process. By providing this manual on line we are not guaranteeing parts availability.

You may contact Michco through the following methods:

Phone (517) 484-9312 or (800) 331-3339

2011 N. High St. -- Lansing, Michigan -- 48906

Fax: (517) 484-9836

Email: CustServe@Michco.com

Web site: www.Michco.Com

Parts Web site: www.FloorMachineParts.Com

Order Parts on Line at:

www.FloorMachineParts.Com

Directly to Parts & Service:

By Email: **Shop@Michco.com**

By Fax: (517) 702-2041

By Voice: Use numbers above.

Serving the Cleaning Industry Since 1922

Notice: All copyrighted material remains property of original owners, all trademarks are property of respective owners. Manuals are subject to Manufacturer's reproduction limitations. Originals or reproductions were provided by manufacturers through a request. We make no warranty as to the correctness of information provided in this document and you assume all risk. By placing these manuals on line we are not declaring our corporation to be an manufacturer authorized dealer or provider, please check our web site for authorized manufacturers we represent.

SWEEPER UNIT ASSEMBLY

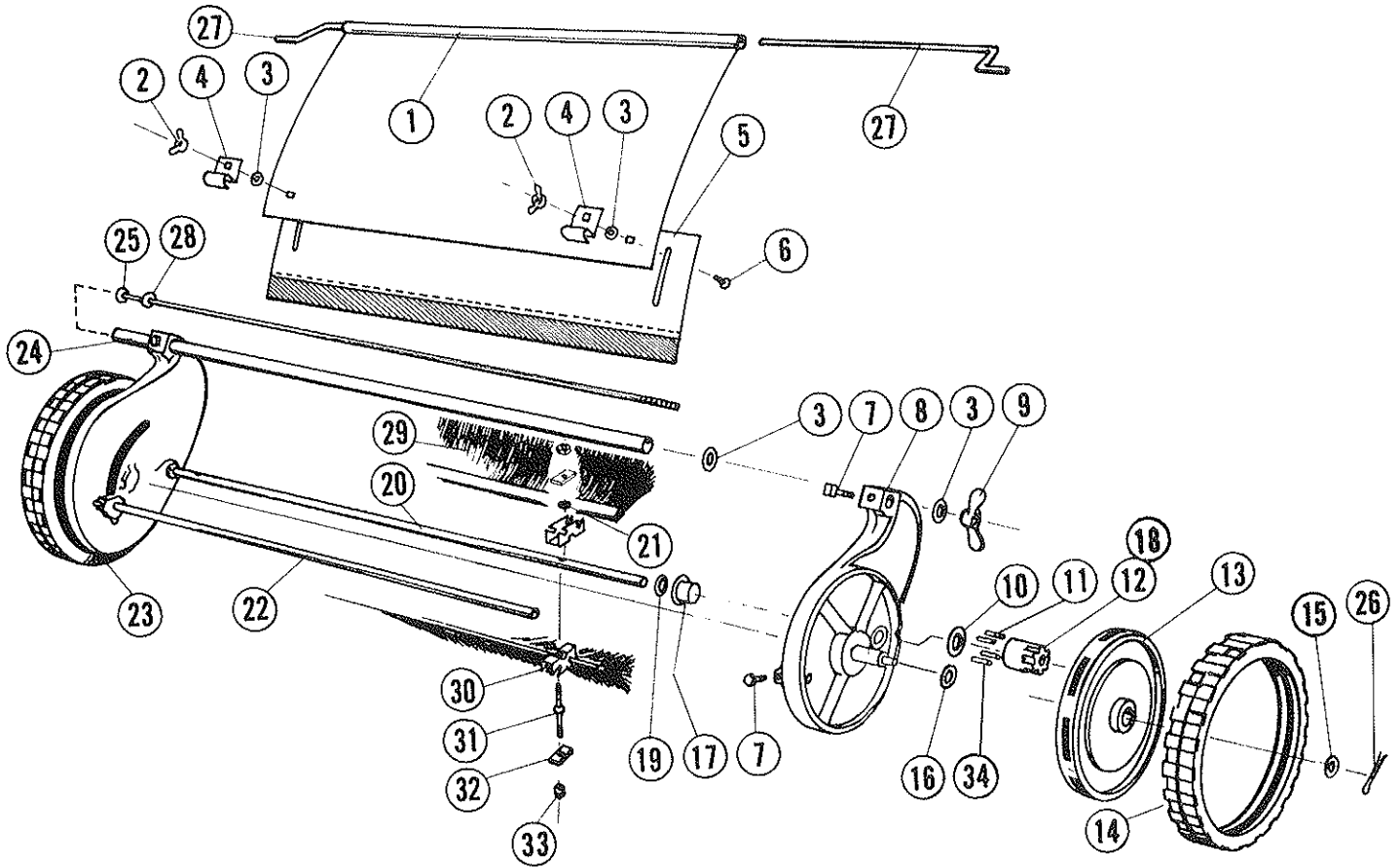


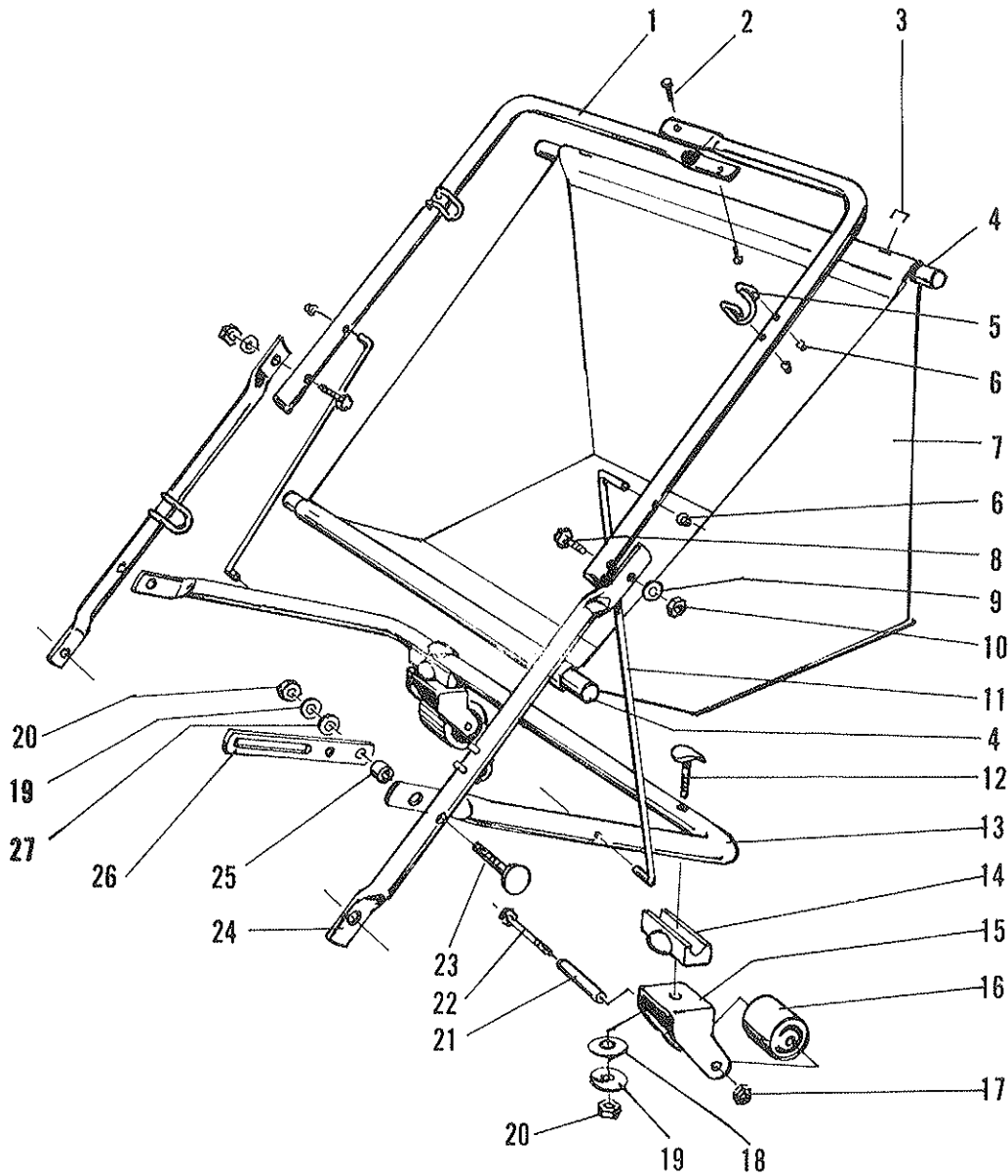
Figure 4

PARTS LIST

Ref. No.	Part No.	Qty. Per Unit	Description of Part	Ref. No.	Part No.	Qty. Per Unit	Description of Part
1	75-158-C	1	Hood Assembly 68-13-C	18	74-78-RB-*	1	Pinion RH (Not Shown)
2	351-416-18	2	Nut-Wing 1/4-20 x 1 1/8 Span	19	55-161-A	2	Washer-Special
3	945-516	8	Washer-Flat 5/16	20	75-148-B	1	Reel Shaft 77-137-B
4	60-22-B	2	Clamp Hood	21	75-89-A	4	Retainer
5	68-10-C	1	Hood Extension	22	62-04-A	1	Tie Rod
6	70-416-12	2	Bolt-Carriage 1/4-20 x 3/4	23	68-3-RD	1	Side Plate RH 71-04-RD
7	560-C-516-10	4	Screw-Sq. Hd. Set 5/16-18 x 5/8	24	68-05-A	1	Tube Adjusting
8	68-4-LD	1	Side Plate LH 71-05-LD	25	69-75-A	1	Bolt-Special
9	73-71-A	1	Nut-Wing	26	380-432-12	2	Cotter Pins 1/8 dia. x 1
10	50-33-A	2	Washer-Special	27	68-14-A	2	Rod-Hood Control
11	74-80-A *	4	Roller Pawl	28	945-616	1	Washer-Flat 3/8 I.D.
12	74-79-LB *	1	Pinion LH	29	1200-14-5	8	Brush Strip Assembly
13	49-377-C	2	Wheel	30	74-13-C	8	Brush Bracket
14	63-224-B	2	Tire	31	74-16-A	4	Stud
15	46-81-A	4	Washer	32	69-04-A	8	Clamps-Brush Strip
16	946-1216-24	2	Washer-Fiber	33	362-416	8	Nut Hex Lock 1/4-20
17	68-60-A	2	Bearing (Kendal BK-1377-628)	34	76-37-A *	4	Pawl Spring

* 5A-1580-B PINION KIT Plate No. 259-D
contains all 4 parts & quantity needed

BASKET AND HANDLE ASSEMBLY



PARTS LIST

Ref. No.	Part No.	Qty. Per Unit	Description of Part	Ref. No.	Part No.	Qty. Per Unit	Description of Part
1	77-28-C	2	Upper Handle	15	78-55-B	2	Caster Fork
2	77-27-A	2	Screw Self Tapping	16	78-56-A	2	Roller
3	62-171-A	4	Staple $\emptyset 2-236-B$	17	365-416	2	Nut $\frac{1}{4}$ -20 Hex Lock
4	77-51-A	2	Basket Rod	18	55-156-A	2	$\frac{5}{16}$ Special Washer
5	76-415-A	4	Basket Support Bracket $80-110-A$	19	935-516	4	$\frac{5}{16}$ Spring Lock Washer
6	77-10-A	10	Push Nut	20	335-516	4	Nut $\frac{5}{16}$ -18 Hex
7	77-48-D	1	Basket Assembly	21	78-65-A	2	Bushing
8	65-416-20	2	Bolt $\frac{1}{4}$ -20 x $1\frac{1}{4}$ Hex	22	65-416-44	2	Bolt $\frac{1}{4}$ -20 x $2\frac{3}{4}$ Hex Head
9	935-416	2	$\frac{1}{4}$ " Spring Lockwasher	23	69-516-24	2	Bolt $\frac{5}{16}$ -18 x $1\frac{1}{2}$ Contour Hd.
10	335-416	2	$\frac{1}{4}$ -20 Hexagon Nut	24	77-29-B	2	Lower Handle
11	77-30-A	2	Handle Support Spring	25	54-227-A	2	Spacer
12	69-516-28	2	Bolt $\frac{5}{16}$ -18 x $1\frac{3}{4}$ Contour Hd.	26	60-21-A	2	Brush Adjusting Brkt.
13	77-49-C	1	Handle Support	27	945-516	2	$\frac{5}{16}$ Flat Washer
14	59-68-B	2	Pivot Block $80-265-A$				