



## Electronic Service Manuals

This electronic document is provided as a service to our customers. We do not create the contents of the information contained in this document. Should you have detailed questions pertaining to the information contained in this document, you may contact Michco, or the manufacturer which provided the original information in this electronic deliverable. Michco's only part in this electronic deliverable was the electronic assembly process. By providing this manual on line we are not guaranteeing parts availability.

You may contact Michco through the following methods:

Phone (517) 484-9312 or (800) 331-3339

2011 N. High St. -- Lansing, Michigan -- 48906

Fax: (517) 484-9836

Email: [CustServe@Michco.com](mailto:CustServe@Michco.com)

Web site: [www.Michco.Com](http://www.Michco.Com)

Parts Web site: [www.FloorMachineParts.Com](http://www.FloorMachineParts.Com)

Order Parts on Line at:

**[www.FloorMachineParts.Com](http://www.FloorMachineParts.Com)**

Directly to Parts & Service:

By Email: **[Shop@Michco.com](mailto:Shop@Michco.com)**

By Fax: (517) 702-2041

By Voice: Use numbers above.

**Serving the Cleaning Industry Since 1922**

Notice: All copyrighted material remains property of original owners, all trademarks are property of respective owners. Manuals are subject to Manufacturer's reproduction limitations. Originals or reproductions were provided by manufacturers through a request. We make no warranty as to the correctness of information provided in this document and you assume all risk. By placing these manuals on line we are not declaring our corporation to be an manufacturer authorized dealer or provider, please check our web site for authorized manufacturers we represent.

**PARTS  
LIST  
for**

*Parker*

**FLOOR  
SWEEPER**

MODEL PSF-5628



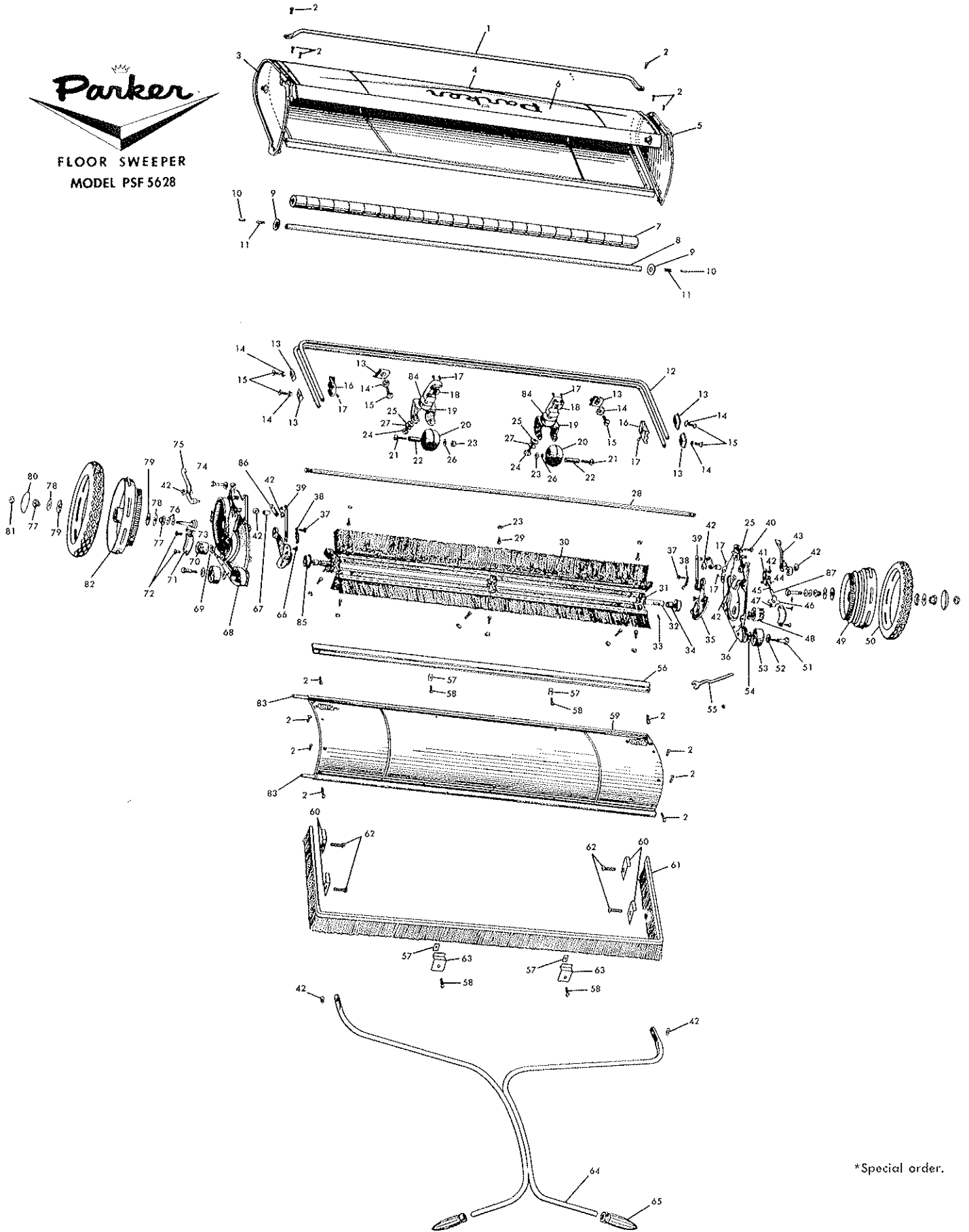
**PARKER**  
**SWEEPER** *Company*

SPRINGFIELD 99, OHIO

MANUFACTURERS OF INDUSTRIAL FLOOR SWEEPERS  
AND PARKER LAWN SWEEPERS



FLOOR SWEEPER  
MODEL PSF 5628



\*Special order.

## FLOOR SWEEPER

SIZE  
28"PRODUCTION YEAR  
1956MODEL No.  
PSF-5628

NO.	DESCRIPTION OF PART	PART NUMBER	No. REQ.
1	Handle—Hopper	48-168-B	1
2	Screws—Hood	45-28-A	26
3	Hopper—Side Plate—Left Hand	49-243-L-E	1
4	Hood—Hopper	48-166-C	1
5	Hopper—Side Plate—Right Hand	49-242-R-E	1
6	Hopper Assembly—Complete	50-109-E	1
7	Feeder Rolls—Rubber	51-103-A	27
8	Rod—Feeder Roll	49-241-A	1
9	Washer—Plain	945-816	2
10	Pin—Feeder Roll	49-239-A	2
11	Spring—Feeder Roll	49-238-A	2
12	Frame—Hopper	48-169-B	2
13	Clamp—Frame	47-18-A	6
14	Washer—Countersunk—Lock	938-516	6
15	Screw—Flat Head	505-516-16	6
16	Pivot Block—Hopper	48-185-A	2
17	Screw—Rd. Hd. Sheet Metal	530-6-8	12
18	Bracket—Caster	47-20-B	2
19	Base—Caster—Assembly	47-213-B	2
20	Roller—Caster	45-70-A	2
	Screw—Rd. Hd. Caster Axle	515-416-44	2
22	Bushing—Caster Roller	45-71-A	2
23	Nut—Hex	335-416	11
24	Bolt—Sq. Hd.	66-516-36	2
25	Washer—Int. Tooth Lock	936-516	4
26	Washer—Int. Tooth Lock	936-416	2
27	Washer—Plain	945-416	2
28	Rod—Brush Adjustment	48-171-A	1
29	Bolt—Sq. Hd.	66-416-16	9
30	Brush—Fiber—Fine—Standard equip't	48-312-C-1	3
	Brush—Fiber—Medium—Special order	48-312-C-2	3
	Brush—Fiber—Coarse—Special order	48-312-C-3	3
31	Bracket—Brush	47-8-A	3
32	Shaft—Brush Reel	48-170-B	1
33	Set Screw—Slotted Head	565-B-416-16	3
34	Spacer—Reel Shaft	48-337-A	2
35	Hanger—Brush	50-32-B	2
36	Side Plate—Right Hand—Sweeper	53-30-R-F	1
37	Screw—Rd. Hd. Machine	515-416-6	2
38	Spring—Hanger—Brush	47-45-A	2
39	Link—Brush Adjusting	47-32-A	2
	Bolt—Hex Head	65-516-16	2
41	Link—Connector—Assembly	50-148-A	1
42	Retaining Ring	997-6	9
43	Lift Arm—Hopper—Right Hand	47-27-R-B	1
44	Adapter—Brush Adjustment	47-17-A	1

REF. No.	DESCRIPTION OF PART	PART NUMBER	No. REQ.
45	Screw—Brush Adjusting	47-22-A	1
46	Knob—Brush Adjusting	47-42-A	1
47	Set Screw—Allen Head	564-B-10-6	1
48	Gear—Pinion—Right Hand	45-18-R-A	1
49	Wheel—Wall Brush Drive	53-106-C	1
50	Tire—Rubber	53-01-B	2
51	Bolt—Shoulder	47-457-A	2
52	Washer—Plain	945-516	4
53	Roller—Rear	47-44-A	2
54	Washer—Special	51-102-A	2
55*	Wrench—Wheel Bearing*	54-101-B	
56	Seal—Hopper	50-167-A	1
57	Speed Nut	346-10	6
58	Screw—Rd. Hd. Machine	515-10-8	6
59	Hood	48-167-C	1
60	Clamp—Seal	55-26-A	4
61	Brush—Seal	55-29-B	1
62	Screw—Rd. Hd. Machine	515-416-12	4
63	Clamp—Seal	55-27-B	3
64	Handle—Assembly	48-165-D	1
65	Grips—Handle	45-02-A	2
66	Bolt—Shoulder	47-58-A	2
67	Bushing—Brush Adjustment	50-37-A	2
68	Side Plate—Left Hand—Sweeper	53-31-L-F	1
69	Pawl	45-25-A	2
70	Pinion—Left Hand	45-19-L-A	1
71	Cover—Pinion	48-34-B	2
72	Screw—Flat Head Machine	505-416-8	4
73	Pin—Drive Lock	53-29-A	2
74	Axle	53-23-A	2
75	Lift Arm—Hopper—Left Hand	47-26-L-B	1
76	Washer—Int. Tooth Lock	936-816	4
77	Cone—Bearing	53-25-A	4
78	Seal—Bearing	946-1416-22	4
79	Bearing—Cage	53-27-A	4
80	Cap—Hub	53-21-A	2
81	Nut—Jam	345-816	2
82	Wheel—Plain	5300-C-1	1
83	Rod—Tie	48-172-A	2
84	Base—Caster Bracket	47-48-A	2
85	Bearing	48-336-A	2
86	Link—Brush Adjustment	50-36-A	2
87	Spacer—Brush Adjustment	47-43-A	1
88			
89			
90			