



## Electronic Service Manuals

This electronic document is provided as a service to our customers. We do not create the contents of the information contained in this document. Should you have detailed questions pertaining to the information contained in this document, you may contact Michco, or the manufacturer which provided the original information in this electronic deliverable. Michco's only part in this electronic deliverable was the electronic assembly process. By providing this manual on line we are not guaranteeing parts availability.

You may contact Michco through the following methods:

Phone (517) 484-9312 or (800) 331-3339

2011 N. High St. -- Lansing, Michigan -- 48906

Fax: (517) 484-9836

Email: [CustServe@Michco.com](mailto:CustServe@Michco.com)

Web site: [www.Michco.Com](http://www.Michco.Com)

Parts Web site: [www.FloorMachineParts.Com](http://www.FloorMachineParts.Com)

Order Parts on Line at:

**[www.FloorMachineParts.Com](http://www.FloorMachineParts.Com)**

Directly to Parts & Service:

By Email: **[Shop@Michco.com](mailto:Shop@Michco.com)**

By Fax: (517) 702-2041

By Voice: Use numbers above.

**Serving the Cleaning Industry Since 1922**

Notice: All copyrighted material remains property of original owners, all trademarks are property of respective owners. Manuals are subject to Manufacturer's reproduction limitations. Originals or reproductions were provided by manufacturers through a request. We make no warranty as to the correctness of information provided in this document and you assume all risk. By placing these manuals on line we are not declaring our corporation to be an manufacturer authorized dealer or provider, please check our web site for authorized manufacturers we represent.

# ***Minuteman***<sup>®</sup> ***Parker***<sup>®</sup>

Model:  
HT9608B  
HT9608IC  
HT9608H  
HT9611B  
HT9611H

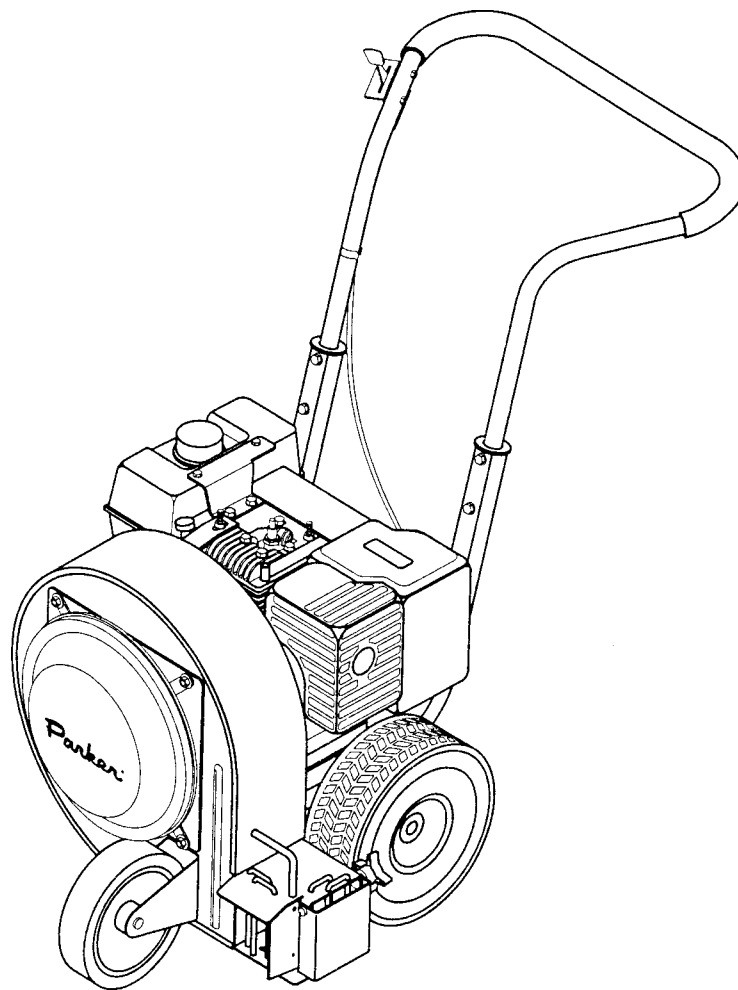
## **Blower**

**OPERATION**

**SERVICE**

**PARTS**

**CARE**



## **TABLE OF CONTENTS**

General Safety Instructions	1 & 2
Warning Decal Placement	3
Assembly Instructions	4
Blower Assembly HT Series Mainframe	5
Engine Assembly	6, 7, 8, 9
Warranty	Back Cover

# EC Declaration of Conformity

according to Directives 89/392 and 89/336

We, Minuteman International Incorporated, of 111 South Rohlwing Road Addison Illinois 60101 USA, declare under our sole responsibility that the products HT0165B, HT9605H, HT0110B, HT9711H and HT9608H to which this declaration relates corresponds to the relevant requirements of the EC Directives 89/392 and 89/336. The following standards were used to determine compliance with the Directives: EN 292, EN 294, EN 811 and CISPR 12.

<b>SOUND</b>		<b>VIBRATION</b>												
<b>92 dB Operator</b>	<b>87 dB At 3m</b>	<b>12.0 m/s<sup>2</sup> At Operators Handles</b>												
<p>Tests were conducted on 4-22-96 with calibrated sound and vibration equipment under the conditions noted below:</p> <table style="width: 100%; border: none;"> <tr> <td style="width: 33%;">General Condition:</td> <td style="width: 33%;">Cloudy</td> <td style="width: 33%;">Wind:</td> <td style="width: 33%;">8 km/hr</td> </tr> <tr> <td>Temperature:</td> <td>15°C</td> <td>Humidity:</td> <td>85%</td> </tr> <tr> <td>Barometric Pressure:</td> <td>30.1</td> <td></td> <td></td> </tr> </table>			General Condition:	Cloudy	Wind:	8 km/hr	Temperature:	15°C	Humidity:	85%	Barometric Pressure:	30.1		
General Condition:	Cloudy	Wind:	8 km/hr											
Temperature:	15°C	Humidity:	85%											
Barometric Pressure:	30.1													

  
 \_\_\_\_\_  
 Jeff Pollack, Standards Engineer

\_\_\_\_\_  
 5/15/02  
 Date

# **IMPORTANT SAFETY INSTRUCTIONS**

## **READ ALL INSTRUCTIONS BEFORE USING**

### **WARNING**

- To prevent personal injury or property damage, do not attempt to start engine until all assembly steps are complete and you have read and understand the safety and operating instructions in this manual.
- Under California law, and under laws of several other states, you are not permitted to operation internal combustion's engine using hydrocarbon fuels on any forest covered, brush covered, or grass covered land, or on land with grain, hay, or other flammable agricultural crop, without an engine spark arrester in continuous effective working order. The engine on your power equipment, like most outdoor power equipment, is an internal combustion engine that burns gasoline, a hydrocarbon fuel. Therefore, your power equipment must be quipped with a spark arrester muffler in continuous effective working order. The spark arrester must be attached to the engine exhaust system in such a manner that flames or heat from the system will not ignite flammable material. Failure of the owner/operator of the equipment to comply with this regulation is a misdemeanor under California law, and may also be a violation of other state and/or federal regulations, laws, ordinances, or codes. Contact your local fire marshal or forest service for specific information about what regulations apply in your area.
- Wear approved safety glasses when operating this equipment. The operation of any powered machine can result in foreign objects being thrown by high-speed rotating parts.
- Wear work gloves, sturdy footwear, and hearing protection when operating this equipment.
- Remove hearing protection and watch for traffic when operating near, or when crossing roadways.
- Before inspecting or servicing any part of equipment, shut off engine, disconnect spark plug wire from spark plug, and make sure that all moving parts have come to a complete stop. Be aware that rotating blades slow down gradually after engine is shut off.
- Exercise extreme caution on slopes and avoid excessively steep slopes.
- Never leave equipment unattended when engine is running. Shut off engine and disconnect spark plug wire from spark plug before leaving equipment. Turn off fuel shut-off if equipped.
- Do not blow any burning or smoldering materials such as cigars, cigarettes, ashes, or cinders.
- Do not blow areas that have been recently treated with fertilizers, pesticides, or herbicides. Follow chemical manufacturer's safety instructions regarding contact with treated areas.
- Never allow children or untrained adults to operate this equipment.
- Keep the area of operation clear of all persons, particularly small children, and pets. Keep bystanders at least 25 feet away from the area of operation.
- Do not run engine in an enclosed area. Engine exhaust contains carbon monoxide gas, a deadly poison that is odorless, colorless, and tasteless.
- Do not operate this equipment near buildings, windows, or air conditioners.
- Do not allow hands or any other part of the body or clothing inside the vacuum inlet.
- Do not start engine or operate this equipment with any safety guards or housing removed.

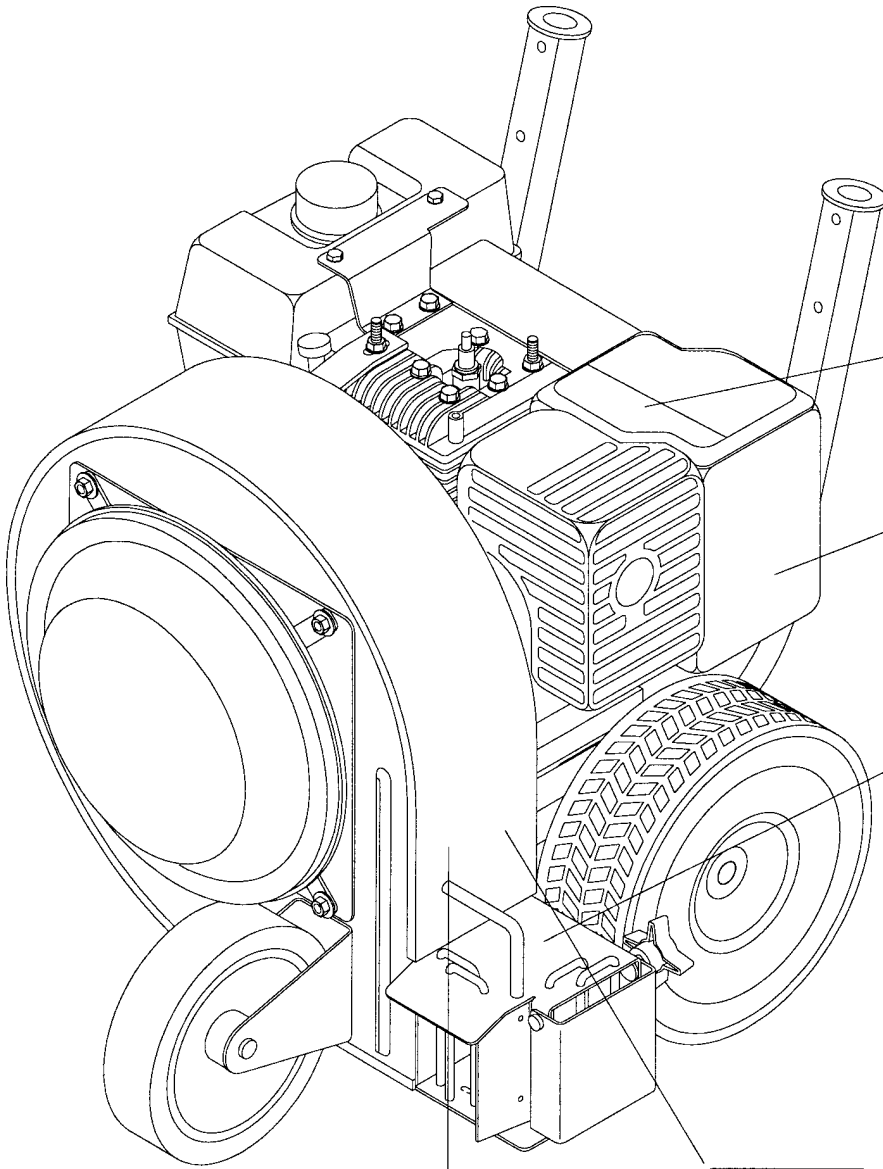
## **DANGER**

Gasoline is highly flammable and its vapors are explosive. To prevent personal injury or property damage:

- Do not add fuel if engine is running or still hot from recent operation. Allow engine to cool for at least three minutes.
- Do not fill fuel tank indoors. After filling, wipe up any spills and move away from gasoline fumes before starting engine.
- Do not allow open flame, matches, or smoking in area.
- Fill fuel tank with fresh, clean unleaded regular automotive gasoline, (leaded regular and unleaded or leaded premium grades of gasoline are acceptable substitutes).
- Do not mix oil with gasoline.
- Clean the area around the fuel fill cap and remove the cap from the fuel tank. Insert a clean funnel into the fuel tank.
- Fill the tank to 1/2 inch below the bottom of the filter neck to provide space for any fuel expansion.
- Reinstall the fuel fill cap securely and wipe up any spilled gasoline.

**SAVE THESE INSTRUCTIONS**

# SAFETY DECALS



**WARNING**  
TO AVOID SERIOUS INJURY:  
\* TO AVOID SEVERE BURNS, DO NOT TOUCH  
MUFFLER OR ADJACENT AREAS.  
\* TO AVOID A FIRE HAZARD, KEEP LEAVES, GRASS,  
AND OTHER COMBUSTIBLE MATERIALS AWAY FROM  
ENGINE AND MUFFLER.  
715314

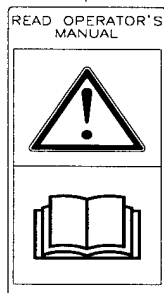
P/N: 715314



P/N: 715321



P/N: 715217

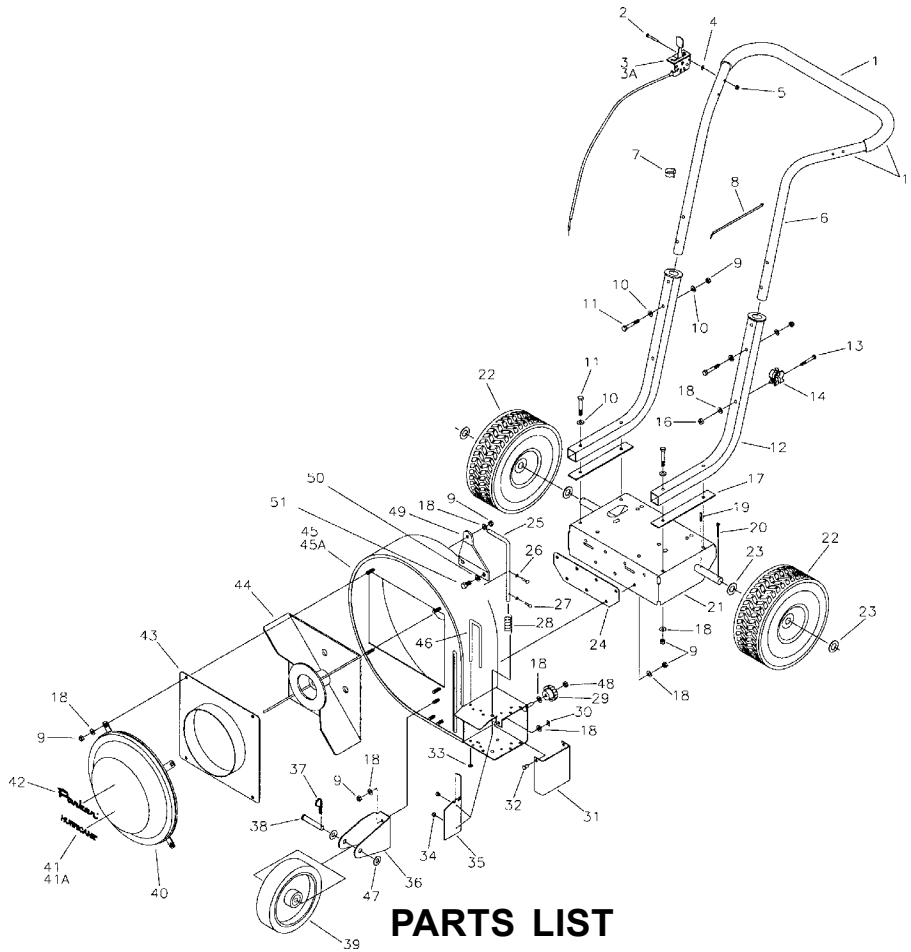


P/N: 715051



P/N: 715301

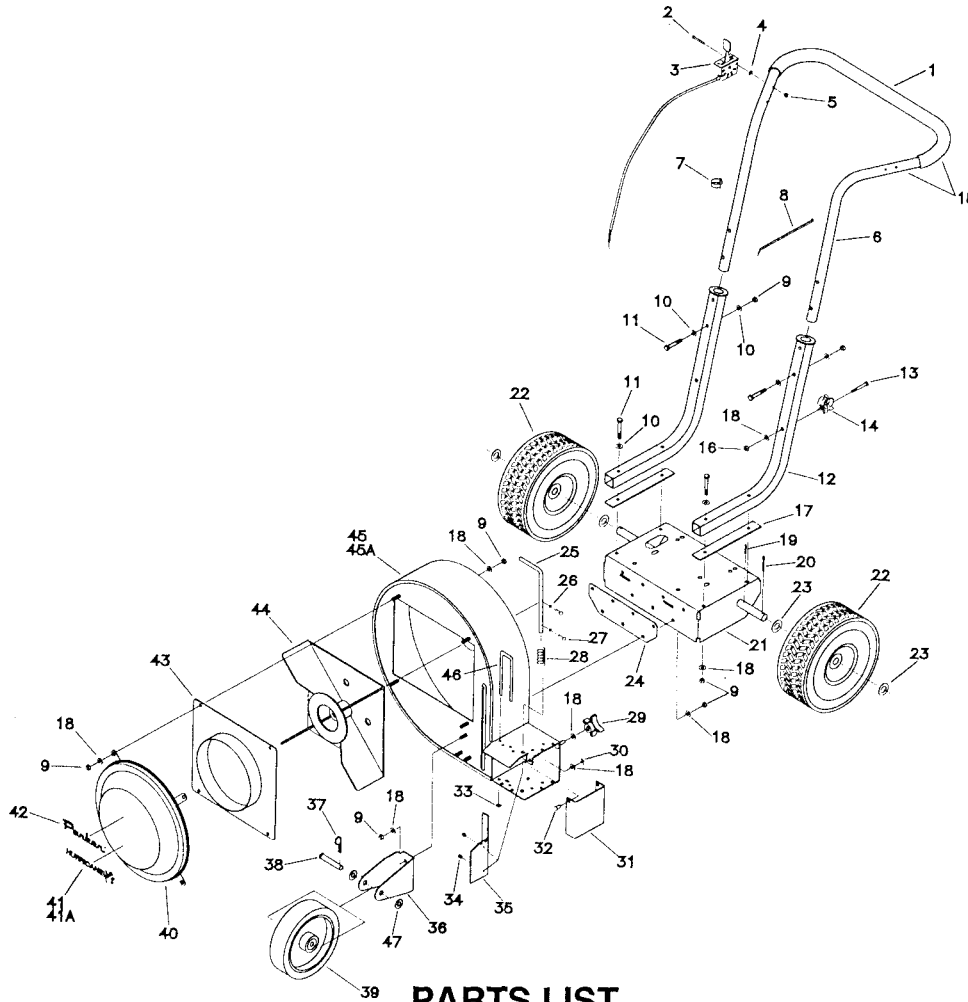
# BLOWER FRAME ASSEMBLY



## PARTS LIST

Item	Part No.	Qty.	Description	Item	Part No.	Qty.	Description
1	360108	1	Handle Sleeve	27	710231	2	SCR-MC 8-32 x .75 STPL
2	515-10-24	2	SCR-RD-HD 10-24 x 1.5	28	170051	1	Spring
3	83-25-B-41	1	Throttle Cable Assembly	29	350139	1	Knob 5/16 Threaded
4	711503	2	WSR-Flat #10	30	75-80-A	1	Shaft Retainer
5	712638	2	Nut-Hex 10-24 SS Nyloc	31	360100	1	Blower Door
6	360109PTD	1	Blower Handle - Painted	32	831889	1	Clevis Pin 5/16 x 1/2
7	80-276-A	1	Snap Mount	33	75-89-A	2	Speed Nut
8	828062	1	Cable Tie - Large	34	711372	2	Nut-Nyloc 8-32
9	711374	23	Nut-Nyloc 5/16-18	35	360101	1	Blower Flap
10	711507	12	WSR-Flat .37 x 1.12 x .06	36	360104	1	Wheel Bracket
11	713031	8	BLT-HH 5/16-18 x 2 #5	37	711670	1	Hairpin Cotter 21-06 1/2
12	360112	2	Handle Strut	38	360131	1	Pin 1/2 x 2.75 11-237
13	711220	1	BLT-HH 1/4-20 x 2.50 STPL	39	360133	2	Wheel 8 x 2 w/.5 Bore-Black
14	350186	1	Rope Guide	40	360136	1	Fan Guard Assembly
15	360110	1	Blower Handle Assembly	41	715186	1	Decal - Hurricane Plus 8
16	711373	1	Nut-Nyloc 1/4-20	41A	715187	1	Decal - Hurricane Plus 11
17	360129	2	Rubber Shim	42	715322	1	Decal - Parker
18	711506	21	WSR-Flat 5/16 STPL	43	360105	1	Adaptor Plate
19	67-521-A	2	Rollpin	44	360115	1	Fan Blade Weldment
20	380-532-20	2	Cotter Pin	45	360125	1	Briggs Fan Housing
21	360120	1	Frame Weldment	45A	360132	1	Honda Fan Housing
22	SA-1496-C	2	Tire-Pneumatic .75 HUB	46	360102	4	Blower Guard
23	711512	4	WSR-Flat .75 x 1.37 x .08				
24	360128	1	Blower Backer Plate				
25	360126	1	Lever Valve Control				
26	711502	2	WSR-Flat #8				

# BLOWER HOUSING

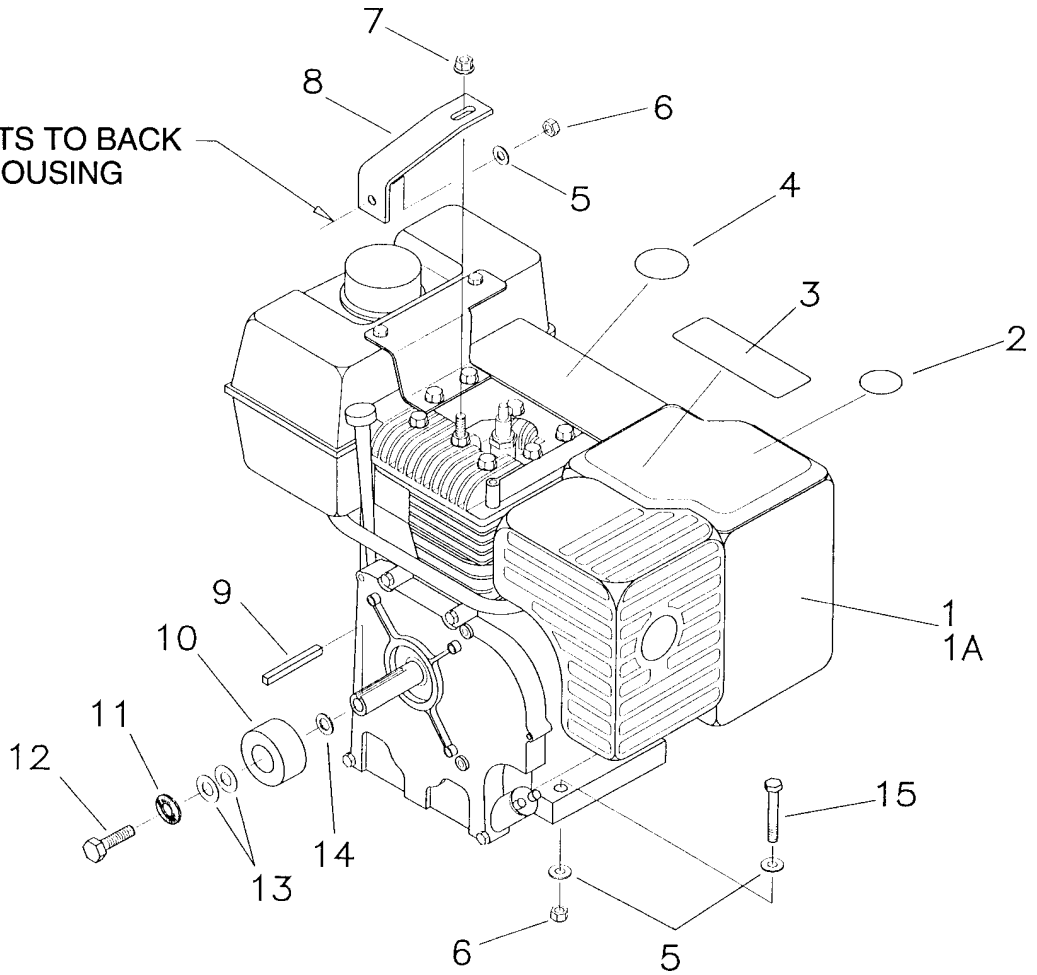


## PARTS LIST

Item	Part No.	Qty.	Description	Item	Part No.	Qty.	Description
1	360108	1	Handle Sleeve	26	711502	2	WSR-Flat #8
2	515-10-24	2	SCR-RD-HD 10-24 x 1.5	27	710231	2	SCR-MC 8-32 x .75 STPL
3	83-25-B-41	1	Throttle Cable Assembly	28	170051	1	Spring
4	711503	2	WSR-Flat #10	29	350139	1	Knob 5/16 Thread
5	712638	2	Nut-Hex 10-24 SS Nyloc	30	75-80-A	1	Shaft Retainer
6	360109PTD	1	Blower Handle - Painted	31	360100	1	Blower Door
7	80-276-A	1	Snap Mount	32	831889	1	Clevis Pin 5/16 x 1/2
8	828062	1	Cable Tie - Large	33	75-89-A	2	Speed Nut
9	711374	23	Nut-Nyloc 5/16-18	34	711372	2	Nut-Nyloc 8-32
10	711507	12	WSR-Flat .37 x 1.12 x .06	35	360101	1	Blower Flap
11	713031	8	BLT-HH 5/16-18 x 2 #5	36	360104	1	Wheel Bracket
12	360112	2	Handle Strut	37	711670	1	Hairpin Cotter 21-06 1/2
13	711220	1	BLT-HH 1/4-20 x 2.50 STPL	38	360131	1	Pin 1/2 x 2.75 11-237
14	350186	1	Rope Guide	39	360133	2	Wheel 8 x 2 w/.5 Bore-Black
15	360110	1	Blower Handle Assembly	40	360136	1	Fan Guard Assembly
16	711373	1	Nut-Nyloc 1/4-20	41	715186	1	Decal - Hurricane Plus 8
17	360129	2	Rubber Shim	41A	715187	1	Decal - Hurricane Plus 11
18	711506	21	WSR-Flat 5/16 STPL	42	715322	1	Decal - Parker
19	67-521-A	2	Rollpin	43	360105	1	Adaptor Plate
20	380-532-20	2	Cotter Pin	44	360115BAL	1	Fan Blade Weldment
21	360120	1	Frame Weldment	45	360125	1	Briggs Fan Housing
22	SA-1496-C	2	Tire-Pneumatic .75 HUB	45A	360132	1	Honda Fan Housing
23	711512	4	WSR-Flat .75 x 1.37 x .08	46	360102	2	Blower Guard
24	360128	1	Blower Backer Plate	47	711892	2	WSR-Nylon .5 x 1.06 x .06
25	360126	1	Lever Valve Control				

# BRIGGS & STRATTON 11 HP

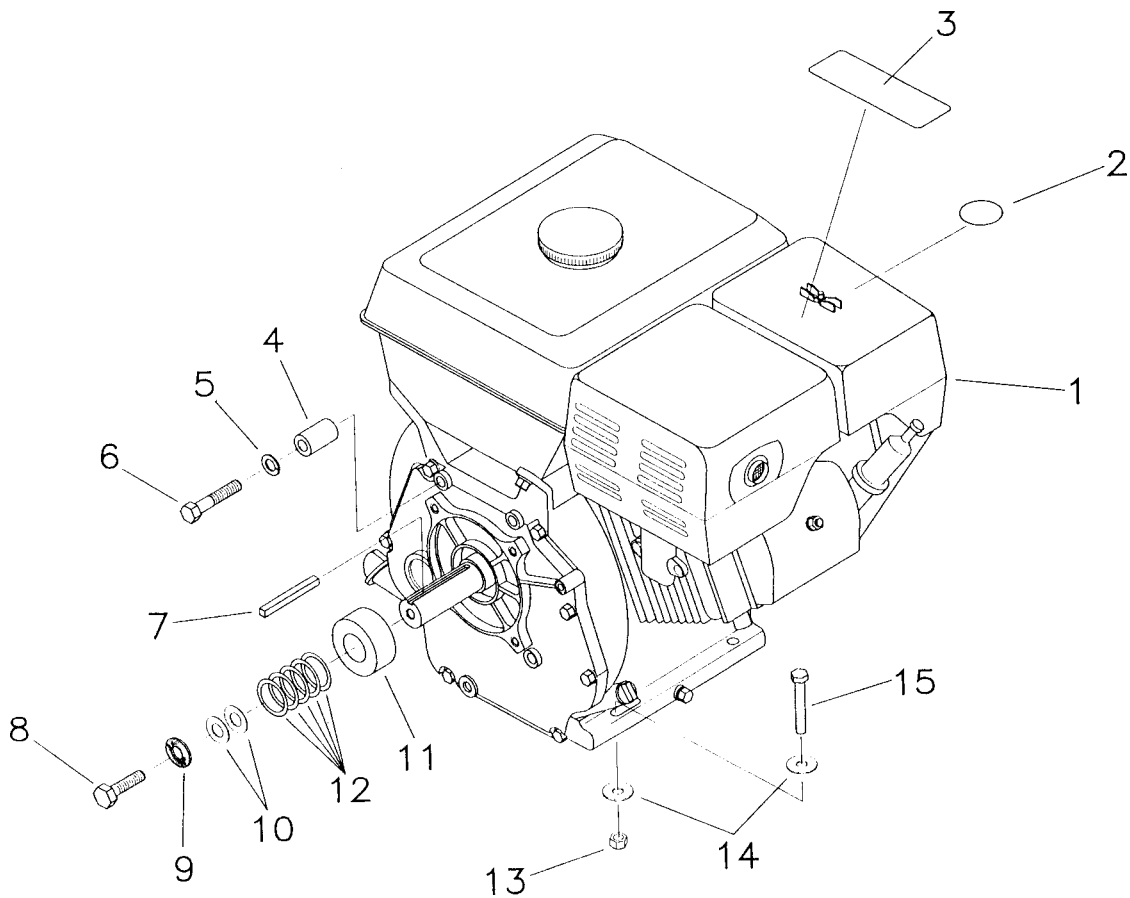
BRACKET MOUNTS TO BACK  
OF BLOWER HOUSING



## PARTS LIST

Item	Part No.	Qty.	Description
1	350601	1	11 HP Briggs IP
2	715321	1	Decal - Hearing Protection
3	715314	1	Decal - Warning
4	715501	1	Decal - Made in U.S.A.
5	711506	9	WSR-Flat 5/16 STPL
6	711374	5	Nut-Nyloc 5/16-18
7	711379	1	Nut-Flanged Wizz 5/16-18
8	360106	1	Motor Mounting Bracket
9	63-130-A	1	Key 1/4 x 1.75 Long
10	360111	1	Spacer 1 x 2 x 1
11	350242	1	Belleville Washer 7/16
12	713103	1	BLT-HH 3/8-24 x 1.75 #5
13	82-138-B-3	2	Special Washer
14	350169	1	Shaft Spacer Washer
15	713031	4	BLT-HH 5/16-18 x 2 #5
16	360137	1	Threaded Motor Stud

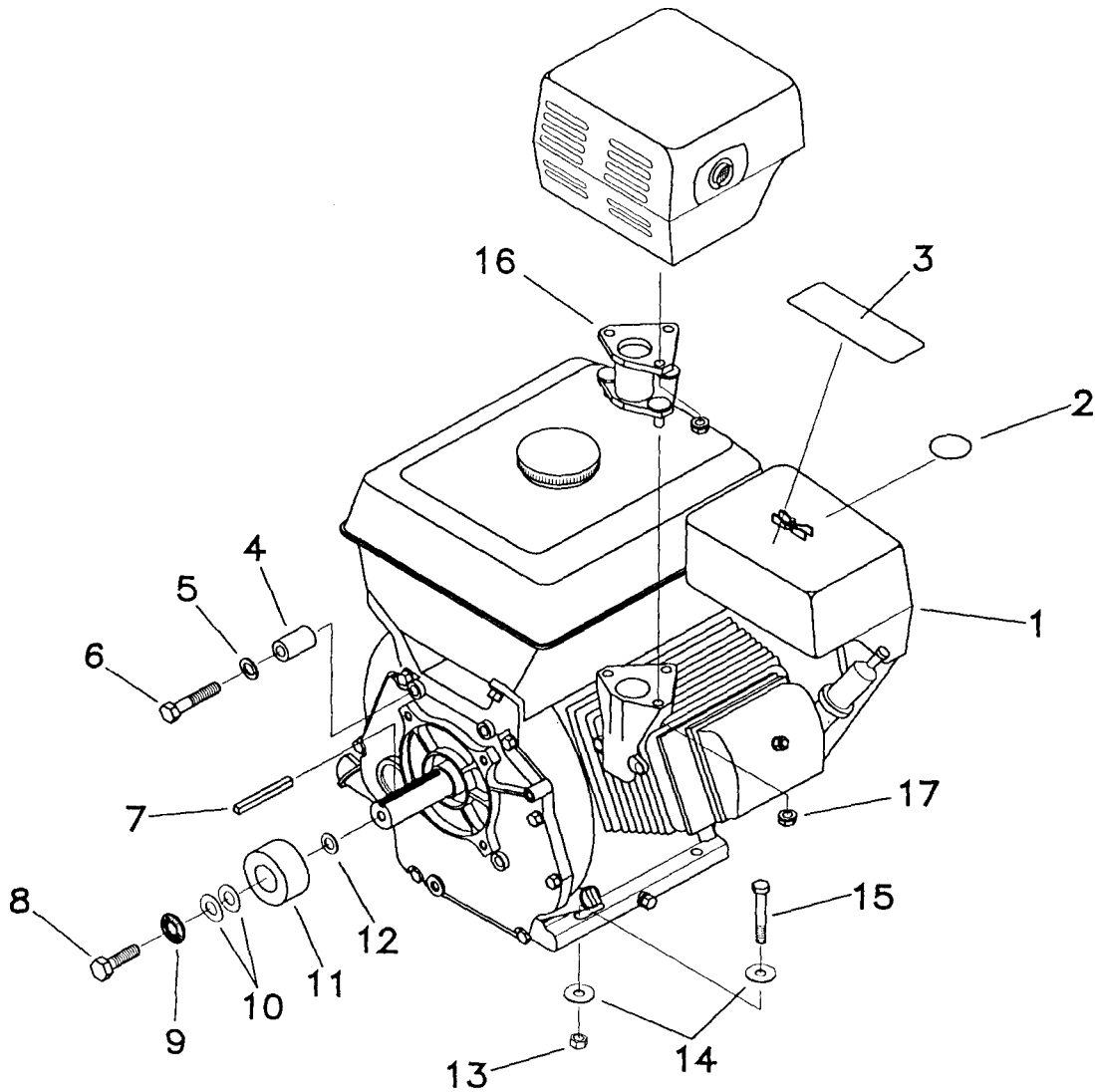
# HONDA 8 HP



## PARTS LIST

Item	Part No.	Qty.	Description
1	350500	1	8 HP Honda
2	715321	1	Decal - Hearing Protection
3	715314	1	Decal - Warning
4	82-24-A	2	Spacer
5	711546	2	WSR-Helical 3/8
6	713047	2	BLT-HH 3/8-16 x 2.25 No. 5
7	63-130-A	1	Key 1/4 x 1.75 Long
8	60-716-24	1	BLT-HH 7/16-20 x 1.5 No. 5
9	350242	1	Belleville Washer 7/16
10	82-138-B-3	2	Special Washer
11	73-415-A	1	Spacer 1 x 2 x .875
12	711526	5	Wave Washer
13	711380	4	Nut-Nyloc 3/8-16
14	711508	8	WSR-Flat .44 x 1.0 x .08
15	713045	4	BLT-HH 3/8-16 x 1.75 No.5

# HONDA 11 HP



## PARTS LIST

Item	Part No.	Qty.	Description
1	350503	1	11 HP Honda
2	715321	1	Decal - Hearing Protection
3	715314	1	Decal - Warning
4	82-24-A	2	Spacer
5	711546	2	WSR-Helical 3/8
6	713047	2	BLT-HH 3/8-16 x 2.25 No. 5
7	63-130-A	1	Key 1/4 x 1.75 Long
8	713040	1	BLT-HH 3/8-24 x 1.5 No. 5
9	360154	1	Belleville Washer 3/8
10	82-138-B-3	2	Special Washer
11	360111	1	Spacer 1 x 2 x 1
12	350169	1	Shaft Spacer Washer
13	711380	4	Nut-Nyloc 3/8-16
14	711508	8	WSR-Flat .44 x 1.0 x .08
15	713045	4	BLT-HH 3/8-16 x 1.75 No.5
16	360153	1	Muffler Extension
17	711379	3	Nut-Flanged Wizz 5/16-18

## LIMITED WARRANTY

The Parker Sweeper Company warrants to the original purchaser/user that this product is free from defects in workmanship and materials under normal use and service for a period of two years from date of purchase. In addition, Parker Sweeper Company will, at its option, honor labor warranty claims for the first 12 months from date of sale, provided such claims are submitted through and approved by factory authorized repair stations. Parker Sweeper Company will, at its option, repair or replace without charge, except for transportation costs, parts that fail under normal use and service when operated and maintained in accordance with the applicable operation and instruction manuals.

This warranty does not apply to normal wear, or to items whose life is dependent on their use and care, such as belts, cords, switches, hoses, rubber parts, electrical motor components or adjustments. Parts not manufactured by Parker Sweeper Company such as engines, batteries, battery chargers, hydraulic pumps, and tires are covered by and subject to the warranties and/or guarantees of their manufacturers. Please contact Parker Sweeper Company for procedures in warranty claims against these manufacturers.

**Special warning to purchaser** — Use of replacement filters and/or prefilters not manufactured by Parker Sweeper Company or its designated licensees, will void all warranties expressed or implied.

A potential health hazard exists without exact original equipment replacement.

All warranted items become the sole property of Parker Sweeper Company or its original manufacturer, whichever the case may be.

Parker Sweeper Company disclaims any implied warranty, including the warranty of merchantability and the warranty of fitness for a particular purpose. Parker Sweeper Company assumes no responsibility for any special, incidental or consequential damages.

This limited warranty is applicable only in the U.S.A. and Canada, and is extended only to the original user/purchaser of this product. Customers outside the U.S.A. and Canada should contact their local distributor for export warranty policies. Parker Sweeper Company is not responsible for costs or repairs performed by persons other than those specifically authorized by Parker Sweeper Company. This warranty does not apply to damage from transportation, alterations by unauthorized persons, misuse or abuse of the equipment, use of non-compatible chemicals, or damage to property, or loss of income due to malfunctions of the product.

If a difficulty develops with this machine, you should contact the dealer from whom it was purchased.

This warranty gives you specific legal rights, and you may have other rights which vary from state to state. Some states do not allow the exclusion or limitation of special, incidental or consequential damages, or limitations on how long an implied warranty lasts, so the above exclusions and limitations may not apply to you.

***Minuteman***<sup>®</sup>  
***Parker***<sup>®</sup>

*A Minuteman International Company*

**World Headquarters**

Minuteman International, Inc.  
111 South Rohlwing Road  
Addison, Illinois 60101

Minuteman Canada, Inc.  
2210 Drew Road  
Mississauga, Ontario  
L5S 1B1

(630) 627-6900  
FAX (630) 627-1130

(905) 673-3222  
FAX (905) 673-5161

988208  
Printed in U.S.A.