



Electronic Service Manuals

This electronic document is provided as a service to our customers. We do not create the contents of the information contained in this document. Should you have detailed questions pertaining to the information contained in this document, you may contact Michco, or the manufacturer which provided the original information in this electronic deliverable. Michco's only part in this electronic deliverable was the electronic assembly process. By providing this manual on line we are not guaranteeing parts availability.

You may contact Michco through the following methods:

Phone (517) 484-9312 or (800) 331-3339

2011 N. High St. -- Lansing, Michigan -- 48906

Fax: (517) 484-9836

Email: CustServe@Michco.com

Web site: www.Michco.Com

Parts Web site: www.FloorMachineParts.Com

Order Parts on Line at:

www.FloorMachineParts.Com

Directly to Parts & Service:

By Email: **Shop@Michco.com**

By Fax: (517) 702-2041

By Voice: Use numbers above.

Serving the Cleaning Industry Since 1922

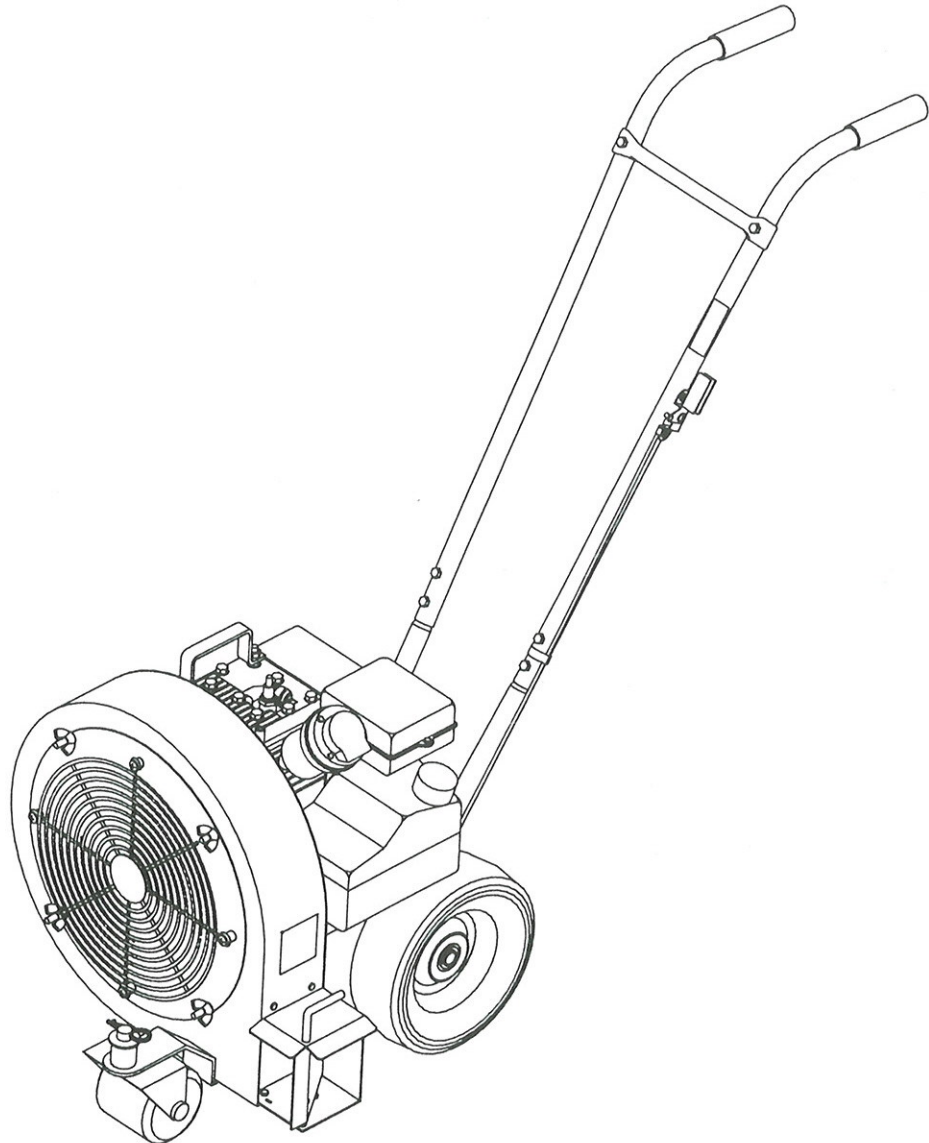
Notice: All copyrighted material remains property of original owners, all trademarks are property of respective owners. Manuals are subject to Manufacturer's reproduction limitations. Originals or reproductions were provided by manufacturers through a request. We make no warranty as to the correctness of information provided in this document and you assume all risk. By placing these manuals on line we are not declaring our corporation to be an manufacturer authorized dealer or provider, please check our web site for authorized manufacturers we represent.

Lucy

- OPERATION
- SERVICE
- PARTS
- CARE



**Model: HT9200
HT9250**



IMPORTANT SAFETY INSTRUCTIONS

When using this piece of equipment, basic precautions should always be followed, including the following:

READ ALL INSTRUCTIONS BEFORE USING

The following safety precautions are suggested to prevent damage to the equipment or injury to the operator or nearby persons.

1. **TO PREVENT ACCIDENTAL STARTING ALWAYS REMOVE THE SPARK PLUG** before working on the engine or equipment driven by the engine.
2. **DO NOT RUN THE ENGINE IN AN ENCLOSED AREA.** Exhaust gases contain carbon monoxide which is an odorless and deadly poison.
3. **DO NOT FILL GASOLINE TANK WHILE ENGINE IS HOT OR RUNNING.** Spilling gasoline on a hot engine may cause a fire or explosion.
4. **DO NOT** leave machine unattended while running.
5. **DO NOT ALLOW** machine to blow in direction of people or objects that could be injured by blown materials.
6. **AVOID** operating machine in dangerous places where steep slopes or loose debris will endanger the safety of operator or other people.
7. **DO NOT** operate machine without safety guards in place.

OPERATING INSTRUCTIONS

1. Before starting the engine, read the Operating and Maintenance Instruction Manual. Add proper gasoline and oil to correct level.
2. Engine should be "broken in" by running at 1/2 throttle for 30 minutes and full throttle for an additional 30 minutes.
3. Machine will operate effectively by either pushing or pulling.
4. The blower direction is adjustable from front to side discharge see Figure B.

Handle Assembly

1. Install upper handles #80-321-C (2) to lower handle no blower as shown using nuts #711373 and bolts #711210.
2. Spread handle apart and install crossbar #81-58-B by using nuts #711373 and bolts #711212.
3. Install throttle cable assembly #83-25-B-30 to handle as shown using nuts #711350 and screws #710362. Then attach cable clip #80-276-A to handle.

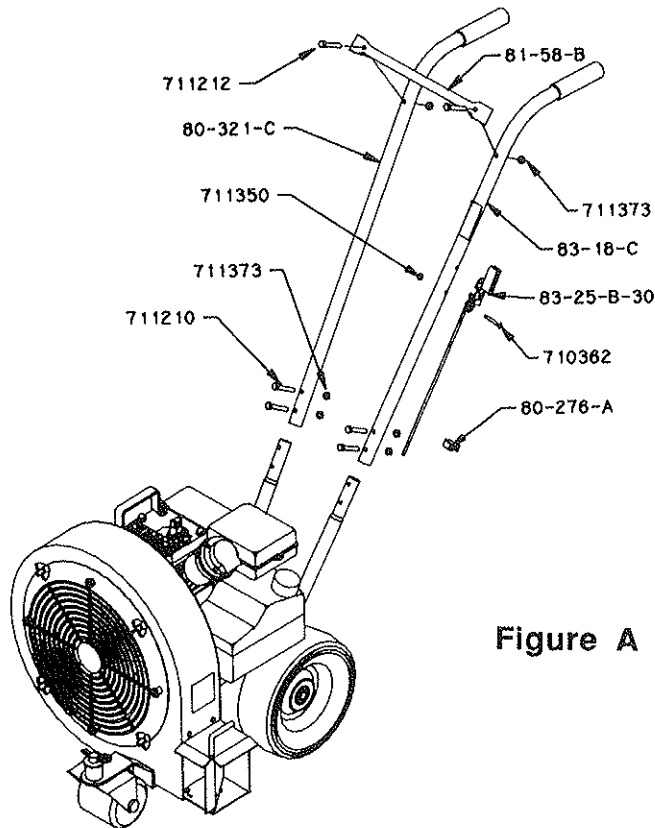


Figure A

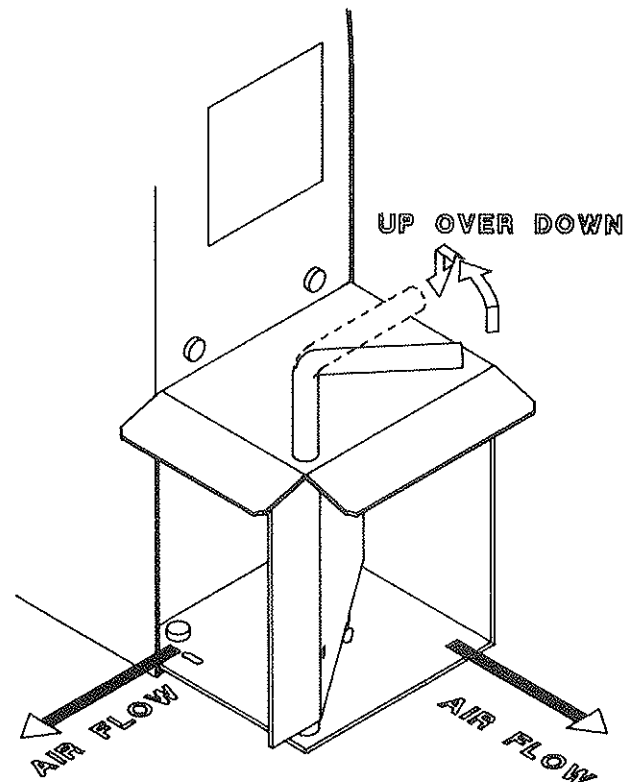
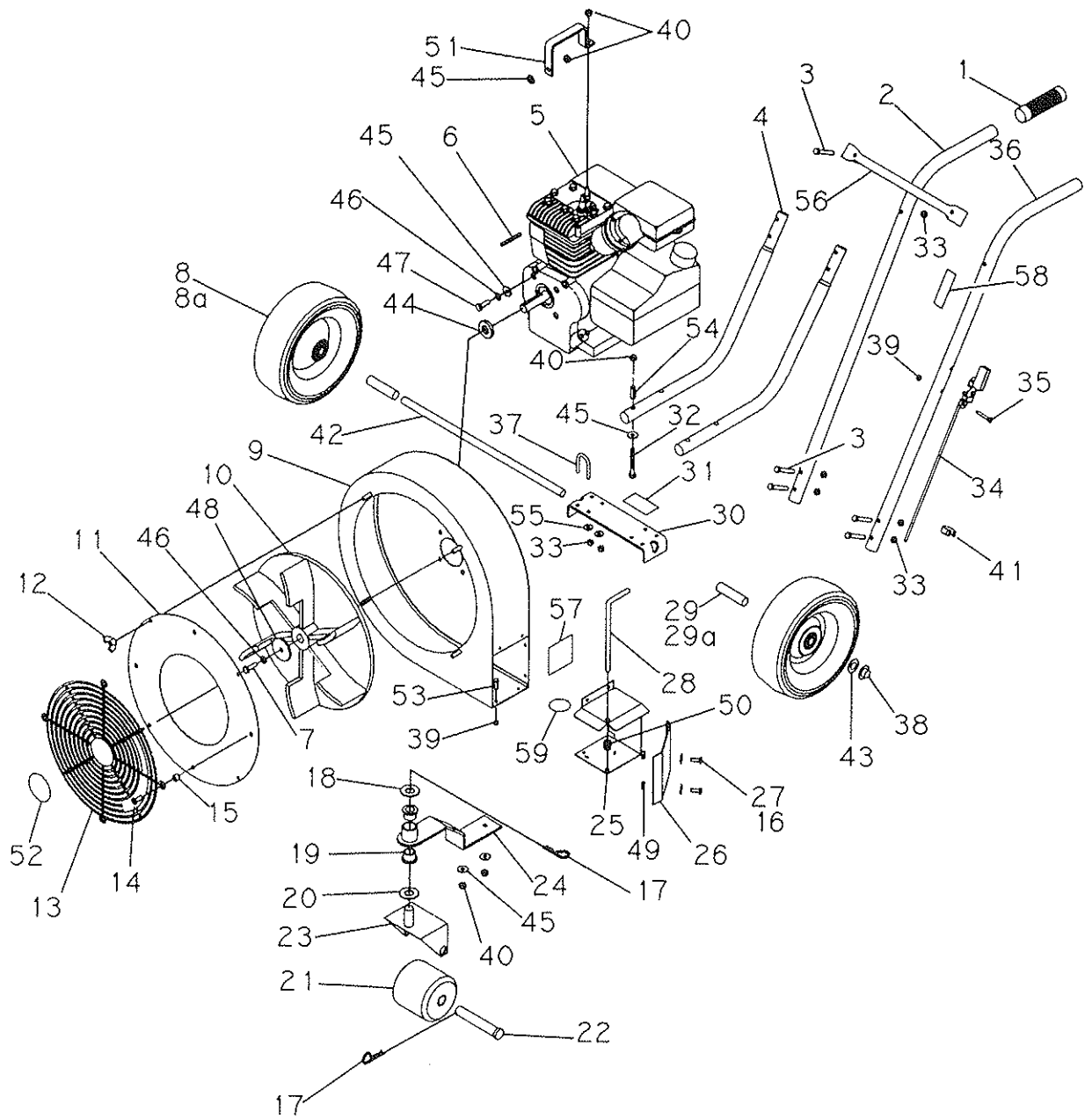


Figure B



PARTS LIST

Item	Part No.	Qty.	Description
1	762086	2	Grip, Handle
2	80-321-C	1	Handle Upper Drilled
3	713004	6	BLT-HH 1/4-20 x 1 1/2 #5
4	86-120-D	2	Lower Handle HT-8750
* 5	360023	1	Engine BS 5HP
6	860018	1	Key Fan Wheel
7	60-516-16	1	BLT-HH 5/16 x 1
8	66-243-B	2	Wheel, Semi-Pneumatic
8A	SA-1496-C	2	Wheel Assy. Pneumatic
9	360005	1	Housing Blower
10	360011BAL	1	Casting-Blower Fan Bal
11	360022	1	Ring Grill Adapter
12	711366	4	Nut-Wing 5/16-18 ST PL
13	82-121-C	1	Grille HC
14	710180	4	SCR-MC 1/4-20 x .75 ST PL
15	762371	4	Bushing .260 x .50 x .37
16	711502	2	WSR-Flat #8
17	711670	2	Hairpin Cotter 21-06 1/2
18	711512	1	WSR-Flat .75 x 1.37 x.08
19	832554	2	Flange Bushing
20	260164	1	Oilite Bushing
21	66-436-A	1	Roller HC
22	360017	1	Pin Clevis
23	360007	1	Bracket Caster Assembly
24	360019	1	Bracket Blower Caster
25	360001	1	Duct Blower
26	360020	1	Flap Blower Door
27	710231	2	SCR-MC 8-32 x .75 ST PL
28	360006	1	Lever Valve Control
29	360009	2	Spacer Wheel
29A	360013	2	Spacer, Pnuematic Wheel
30	360015	1	Bracket Wheel Mounting
31	715030	1	Decal Serial
32	711235	4	BLT-HH 5/16-18 x 2.75
33	711373	14	Nut-Nyloc 1/4-20
34	83-25-B-30	1	Throttle Control Assembly
35	710362	2	SCR-MC 10-32 x 1.25 ST PL
36	83-18-C	1	Handle Upper
37	712105	4	U-Bolt 1/4-20
38	86-121-A	2	End Cap HT & PR
39	711350	8	Nut-Nyloc 10-32
40	711374	8	Nut-Nyloc 5/16-18
41	80-276-A	1	Snap Mount
42	86-119-B	1	Axle .625 D x 18 5/8, HT
43	55-161-A	2	WSR-Special
44	64-134-A	1	Spacer
45	711506	9	WSR-Flat 5/16 St PL
46	711545	5	WSR-Helical 5/16
47	60-516-12	4	BLT-HH 5/16 x 3/4
48	82-138-B-1	1	Special Washer
49	711372	2	Nut-Nyloc 8-32
50	170051	1	Spring
51	360008	1	Handle and Support Bracket
52	82-124-A	1	Decal HC
53	710355	6	SCR-MC 10-32 x .50 ST PL
54	80-238-A	4	Insert
55	711505	8	WSR-Flat 1/4
56	81-58-B	1	Crossbar Lower
57	715217	1	Decal Warning HT Blower
58	92-30-A	1	Decal Throttle
59	715501	1	Decal Made In U.S.A.

* BTS Engine # 13520 (runs)

LIMITED WARRANTY

The Parker Sweeper Company warrants to the original purchaser/user that this product is free from defects in workmanship and materials under normal use and service for a period of two years from date of purchase. In addition, Parker Sweeper Company, will, at its option, honor labor warranty claims for the first 12 months from date of sale, provided such claims are submitted through and approved by factory authorized repair stations. Parker Sweeper Company, will, at its option, repair or replace without charge, except for transportation costs, parts that fail under normal use and service when operated and maintained in accordance with the applicable operation and instruction manuals.

This warranty does not apply to normal wear, or to items whose life is dependent on their use and care, such as belts, cords, switches, hoses, rubber parts, electrical motor components or adjustments. Parts not manufactured by Parker Sweeper Company such as engines, batteries, battery chargers, hydraulic pumps, and tires are covered by and subject to the warranties and/or guarantees of their manufacturers. Please contact Parker Sweeper Company for procedures in warranty claims against these manufacturers.

Special warning to purchaser -- Use of replacement filters and/or pre-filters not manufactured by Parker Sweeper Company or its designated licensees, will void all warranties expressed or implied.

A potential health hazard exists without exact original equipment replacement.

All warranted items become the sole property of Parker Sweeper Company or its original manufacturer, whichever the case may be.

Parker Sweeper Company disclaims any implied warranty, including the warranty of merchantability and the warranty of fitness for a particular purpose. Parker Sweeper Company assumes no responsibility for any special, incidental or consequential damages.

This limited warranty is applicable only in the U.S.A. and Canada, and is extended only to the original user/purchaser of this product. Customers outside the U.S.A. and Canada should contact their local distributor for export warranty policies. Parker Sweeper Company is not responsible for costs or repairs performed by persons other than those specifically authorized by Parker Sweeper Company. This warranty does not apply to damage from transportation, alterations by unauthorized persons, misuse or abuse of the equipment, use of non-compatible chemicals, or damage to property, or loss of income due to malfunctions of the product.

If a difficulty develops with this machine, you should contact the dealer from whom it was purchased.

This warranty gives you specific legal rights, and you may have other rights which vary from state to state. Some states do not allow the exclusion or limitation of special, incidental or consequential damages, or limitations on how long an implied warranty lasts, so the above exclusions and limitations may not apply to you.

The Parker Sweeper Company

P.O. Box 1728
Springfield, OH 45501-1728
Phone: (513) 323-4901
Fax: (513) 322-5462