



## Electronic Service Manuals

This electronic document is provided as a service to our customers. We do not create the contents of the information contained in this document. Should you have detailed questions pertaining to the information contained in this document, you may contact Michco, or the manufacturer which provided the original information in this electronic deliverable. Michco's only part in this electronic deliverable was the electronic assembly process. By providing this manual on line we are not guaranteeing parts availability.

You may contact Michco through the following methods:

Phone (517) 484-9312 or (800) 331-3339

2011 N. High St. -- Lansing, Michigan -- 48906

Fax: (517) 484-9836

Email: [CustServe@Michco.com](mailto:CustServe@Michco.com)

Web site: [www.Michco.Com](http://www.Michco.Com)

Parts Web site: [www.FloorMachineParts.Com](http://www.FloorMachineParts.Com)

Order Parts on Line at:

**[www.FloorMachineParts.Com](http://www.FloorMachineParts.Com)**

Directly to Parts & Service:

By Email: **[Shop@Michco.com](mailto:Shop@Michco.com)**

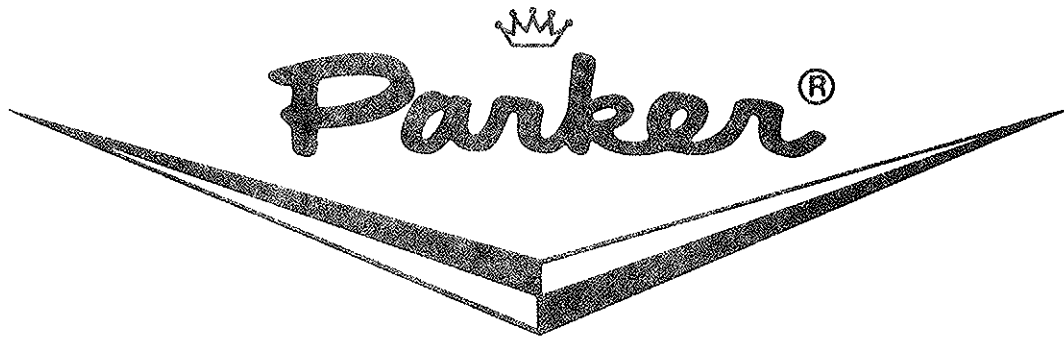
By Fax: (517) 702-2041

By Voice: Use numbers above.

**Serving the Cleaning Industry Since 1922**

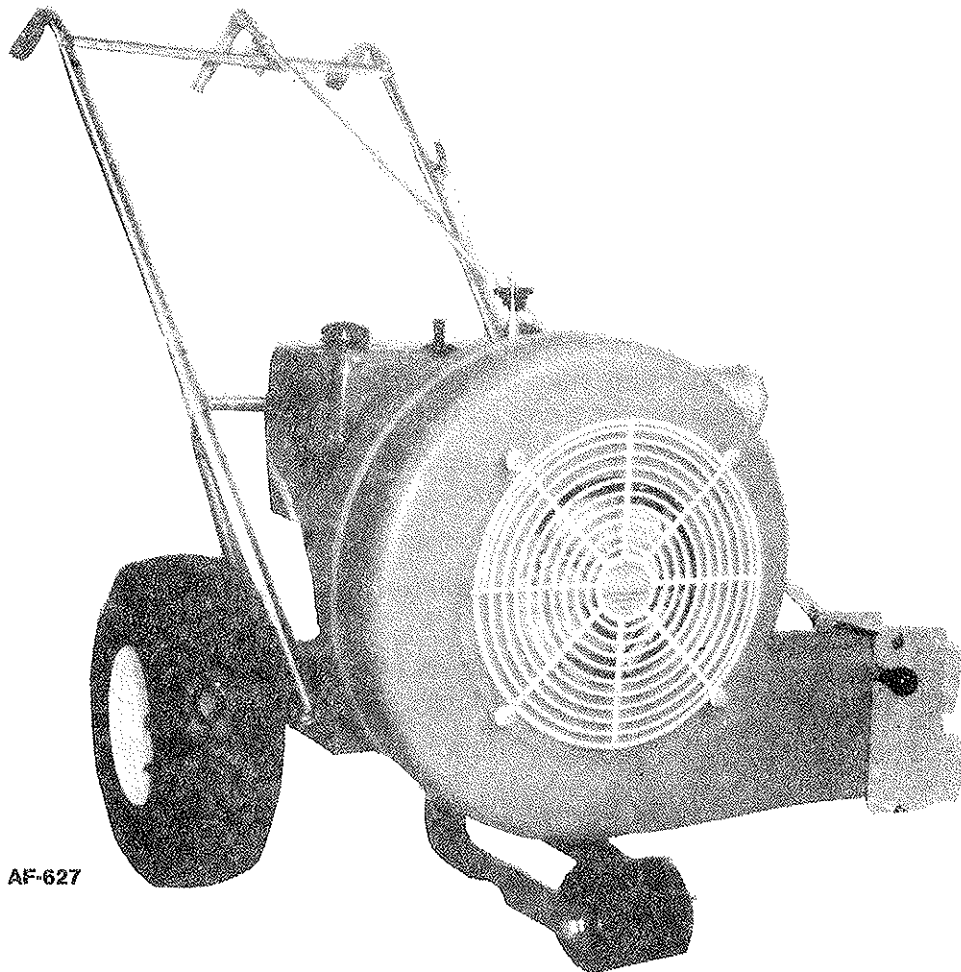
Notice: All copyrighted material remains property of original owners, all trademarks are property of respective owners. Manuals are subject to Manufacturer's reproduction limitations. Originals or reproductions were provided by manufacturers through a request. We make no warranty as to the correctness of information provided in this document and you assume all risk. By placing these manuals on line we are not declaring our corporation to be an manufacturer authorized dealer or provider, please check our web site for authorized manufacturers we represent.

# OWNER'S GUIDE



## HURRICANE®

MODEL NO. HC-8680-K



AF-627

**READ THESE INSTRUCTIONS  
BEFORE SETTING UP AND OPERATING MACHINE**

**PARKER SWEEPER COMPANY**

**Box 1728**

**Springfield, Ohio 45501-1728**

Plate No. 1153 (Rev. 5-22-87)

**87-70-A**

## TO THE OWNER

These instructions were written to assist you in the assembly and operation of your Hurricane. **READ THE INSTRUCTIONS** thoroughly **BEFORE** attempting to assemble and operate the machine so that you are familiar with the complete procedure and the safety precautions.

### RULES FOR SAFE OPERATION



The following safety precautions are suggested to prevent damage to the equipment or injury to the operator or nearby persons.

1. TO PREVENT ACCIDENTAL STARTING ALWAYS REMOVE THE SPARK PLUG before working on the engine or equipment driven by the engine.
2. DO NOT RUN THE ENGINE IN AN ENCLOSED AREA. Exhaust gases contain carbon monoxide which is an odorless and deadly poison.
3. DO NOT FILL GASOLINE TANK WHILE ENGINE IS HOT OR RUNNING. Spilling gasoline on a hot engine may cause a fire or explosion.
4. DO NOT leave machine unattended while running.
5. DO NOT ALLOW machine to blow in direction of people or objects that could be injured by blown materials.
6. AVOID operating machine in dangerous places where steep slopes or loose debris will endanger the safety of operator or other people.

### LUBRICATION

The only lubrication necessary is a couple drops of light oil on the throttle control lever and throttle wire where it enters the cable, also on the moving parts on the exhaust deflector.

### OPERATING INSTRUCTIONS

1. Before starting the engine, read the Operating and Maintenance Instruction Manual. Add proper gasoline and oil to correct level.
2. Engine should be "broken in" by running at 1/2 throttle for 30 minutes and full throttle for an additional 30 minutes.
3. Machine will operate effectively by either pushing or pulling.
4. Your Hurricane Blower can be used as either a Low Blow or Hi Blow depending on the application.
5. For moving heavy debris such as sticks, cleaning out flower beds, anything heavier than leaves, use the Low Blow.
6. For controlled blowing of leaves into windrows and stacking use the Hi Blow.

## IMPORTANT

### ALWAYS GIVE THE FOLLOWING INFORMATION WHEN ORDERING REPAIR PARTS:

- |                               |                           |
|-------------------------------|---------------------------|
| 1. Part Number (Not Ref. No.) | 3. Description of Part    |
| 2. Quantity Needed            | 4. Model No. of Hurricane |

If unable to obtain parts locally, write down above information and send to:  
PARKER SWEEPER CO., BOX 1728, SPRINGFIELD, OHIO 45501

Your unit is right hand (R.H.) or left hand (L.H.) as you stand behind it.

# ASSEMBLY INSTRUCTIONS

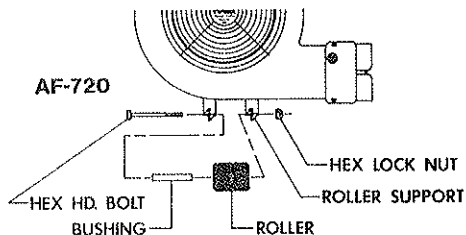
**OBSERVE SAFETY RULES AT ALL TIMES. DON'T TAKE CHANCES!**

## UNPACKING UNIT

1. Remove all loose items from carton.
2. Use a hammer or nail puller to remove carton from wooden base.
3. Do not discard the carton or inserts until the unit is completely assembled.
4. Whenever the terms left or right hand, or "L" and "R", are used, it means from a position standing behind the unit facing forward. All hardware is on the unit in its proper location.

## ASSEMBLING FRONT ROLLER

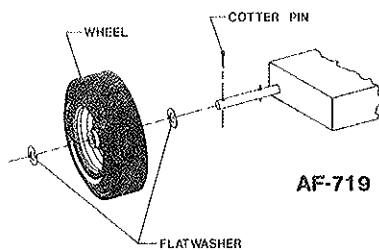
1. Remove front roller from end of lower control rod.
2. Remove hex lock nut and hex hd. bolt from bushing and roller supports
3. Insert bushing through hole in roller and place roller between roller supports. Insert bolt through supports and roller, secure with lock nut.



## ASSEMBLING WHEELS

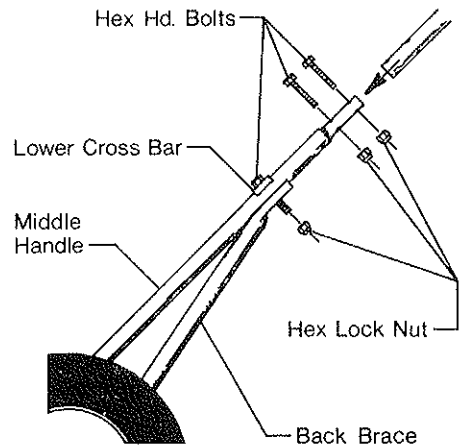
1. Remove the cotter pin from each end of axle. Also remove on flatwasher from each side.
2. Lift unit and assemble wheels to axles. Replace flatwashers and cotter pins.

NOTE: Wheels must be assembled with grease fitting in hub to the outside.



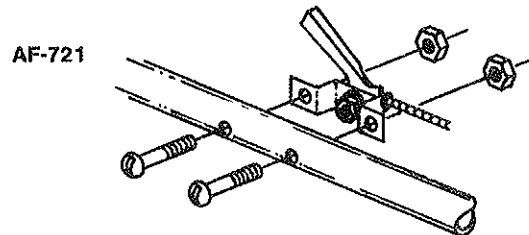
## ASSEMBLING HANDLES

1. Remove hex lock nuts from the hex head bolts used to secure lower cross bar to the middle handles.
2. Align middle handles and back braces until bolts securing lower cross bar can be assembled through holes in upper portion of back braces.
3. Replace hex lock nuts to bolts and tighten.
4. Remove the four hex hd. bolts and hex lock nuts from the ends of the upper handle assembly.
5. Place the upper handle assembly down over the ends of middle handles.
6. Align holes in upper handle assembly with those in middle handles and replace hex head bolts and hex lock nuts removed in step 4.



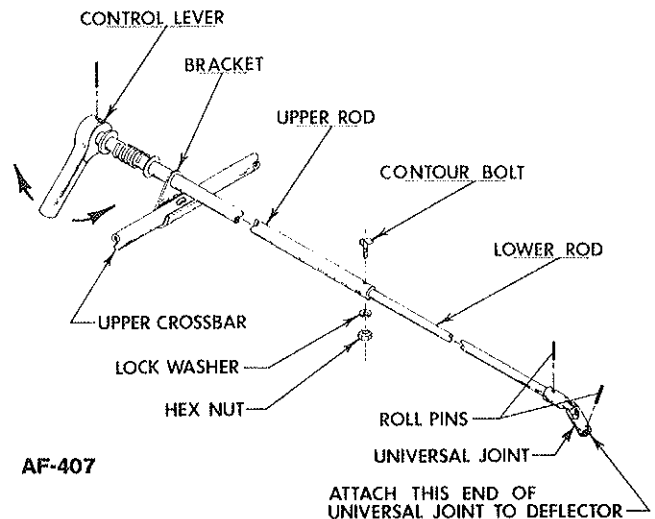
## THROTTLE HOOKUP

1. To install the throttle control, remove it from the lower right hand handle.
2. Straighten the throttle cable out and run it up the left hand handle.
3. Attach the throttle control to the upper left hand handle with the two oval head screws and hex nuts furnished.
4. Make sure no sharp bends are in the line.



## CONTROL ROD CONNECTION

1. Remove the contour hd. bolt, lockwasher and hex. nut from the end of the upper control rod.
2. Telescope the lower and upper control rods together.
3. Add the contour hd. bolt, lockwasher and hex nut back to the control rods.

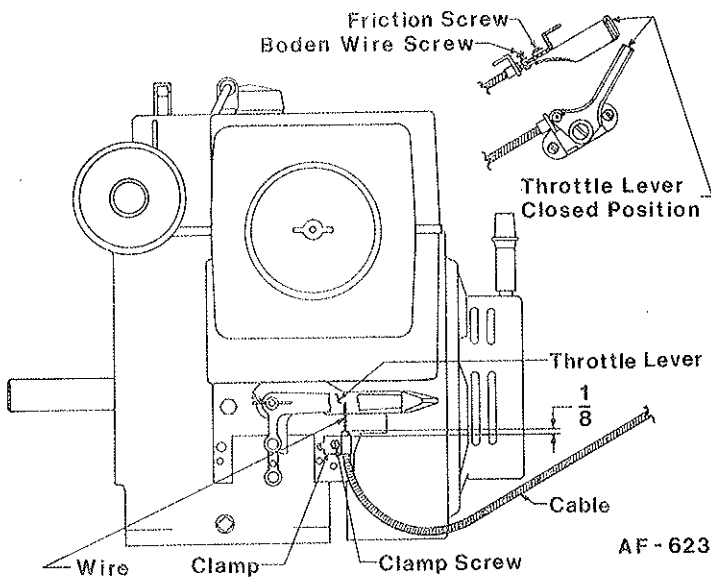


**SAFETY IS IMPORTANT!  
DO NOT IGNORE IT — OBSERVE IT!  
BE SAFE!**

# GENERAL INFORMATION

- Loosen clamp screw on engine Throttle Control Lever Bracket and place cable under left side of the clamp.
- With about 1/8 inch of cable extending beyond the clamp, tighten clamp screw.
- With the Throttle Plate on the engine tightly closed, the Throttle Control on the L.H. Handle should also be closed.
- If the Throttle Control on the handle requires adjustment, loosen the Boden Wire Screw, adjust the Throttle Control and tighten the screw securely.

**NOTE:** If throttle does not stay open due to vibration of machine, tighten friction screw on lever assembly until there is sufficient friction to hold throttle open.

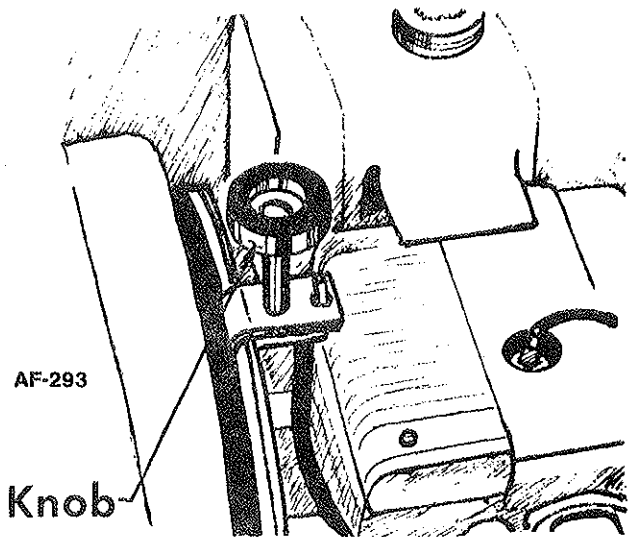


**SAFETY IS IMPORTANT!  
DO NOT IGNORE IT!  
OBSERVE IT!  
BE SAFE!**

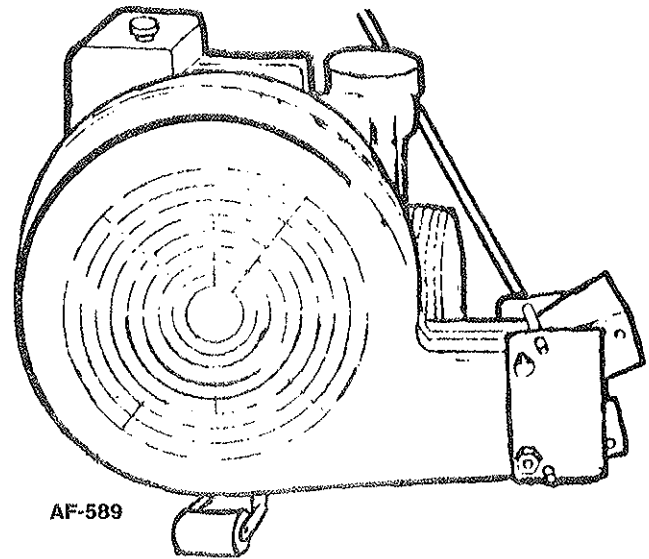
## Blower Adjustment "Hi or Low"

When adjusting the blower housing to HI or LOW BLOW, engine must be stopped with the spark plug wire disconnected.

- To adjust the blower housing to a desired position, turn the knob counter-clockwise to loosen.
- Pivot the exhaust deflector to the desired position, and tighten the knob.
- It is not necessary to detach the exhaust deflector control rod assembly. It will pivot with the blower housing to any position.

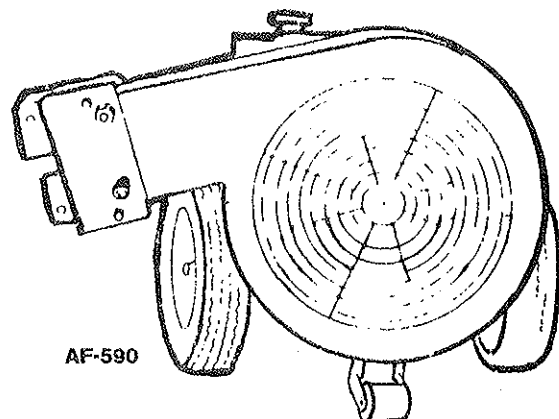


- By turning the knob on the control rod assembly fastened to the upper cross bar, the deflection angle can be changed to control the air flow from the exhaust deflector.



Blower housing in the Low Blow position.

Blower housing in the Hi Blow position.



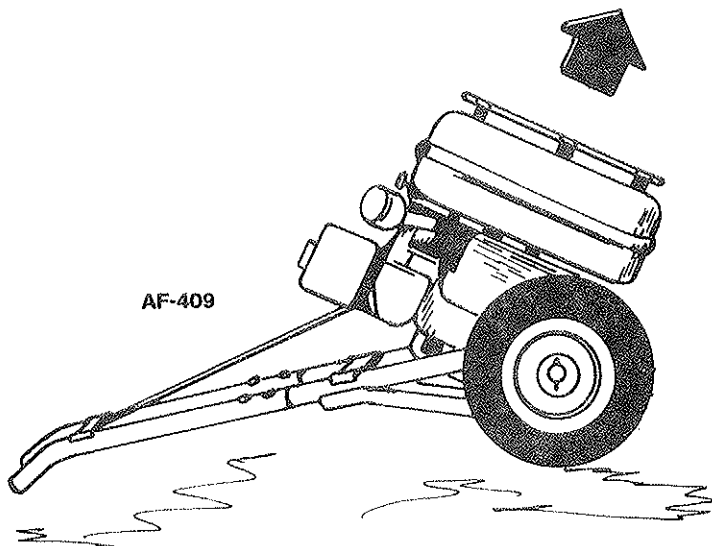
**IMPORTANT WARNING:** the engine contains NO OIL. Read the Engine Instruction Manual carefully before operating. Be sure you know how to start and stop the engine before proceeding further. Do not start the engine until all assembly is finished.

**CAUTION:** Before starting to work on the Engine or the equipment driven by the Engine, always remove the spark plug to prevent accidental starting.

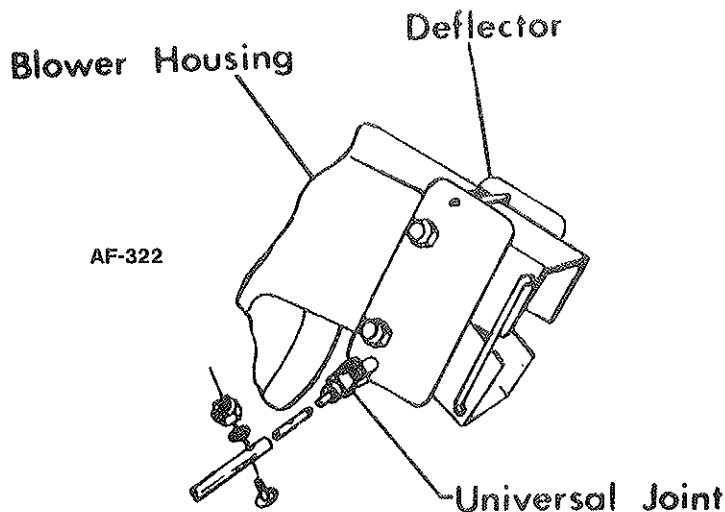
## INSTRUCTIONS FOR REMOVING OR INSTALLING THE BLOWER HOUSING

**To Remove the Blower Housing:**

1. Push the handle of the Hurricane down until the handle is resting on the ground,



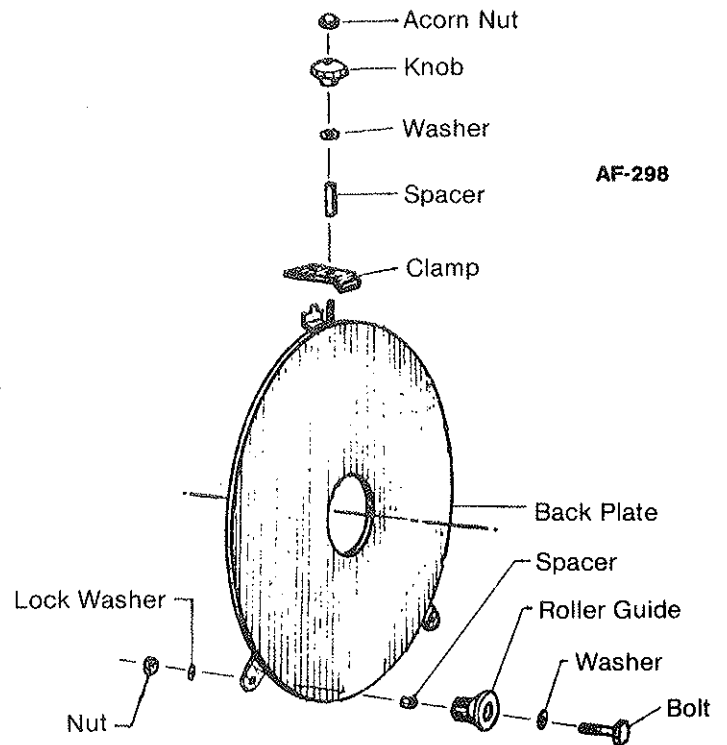
2. Remove the contour head bolt, hex. nut and lock washer, holding the upper and lower control rods together.



3. To loosen the top of the blower housing, unscrew the knob and remove the washer, spacer and clamp.
4. To loosen the bottom of the blower housing, remove the roller guides by unscrewing the nuts on each side.
5. Remove the lock washers and pull out the roller guides bringing the bolts, washers and spacers with them.
6. Remove the blower housing by lifting it off the fan.

**To Install the Blower Housing:**

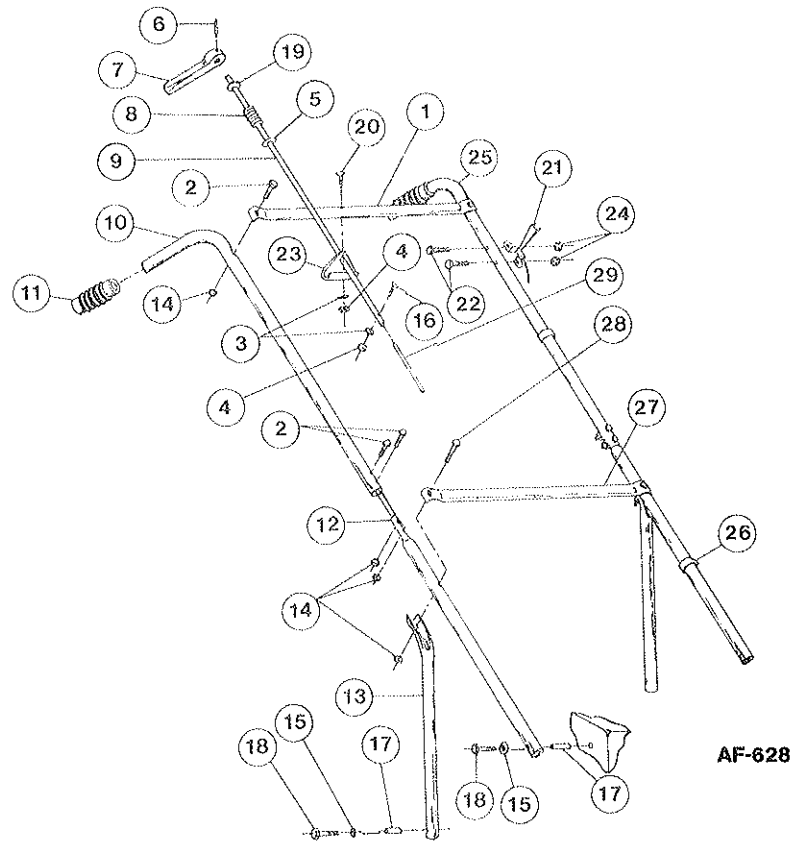
1. Place the blower housing over the fan and position the pivot ring against the back plate.
2. Re-insert the bolts with the roller guides, washers and spacers.
3. Add the washer, screw on the nut, and tighten.
4. At the top of the housing, replace the clamp, spacer, washer and screw on the knob.



**CAUTION:** Replace the spark plug, but before attaching the ignition wire to the spark plug, pull the recoil starter cord to rotate the fan, to make sure the fan can rotate freely.

Attach the ignition wire to the spark plug and your Hurricane Blower is ready for operation.

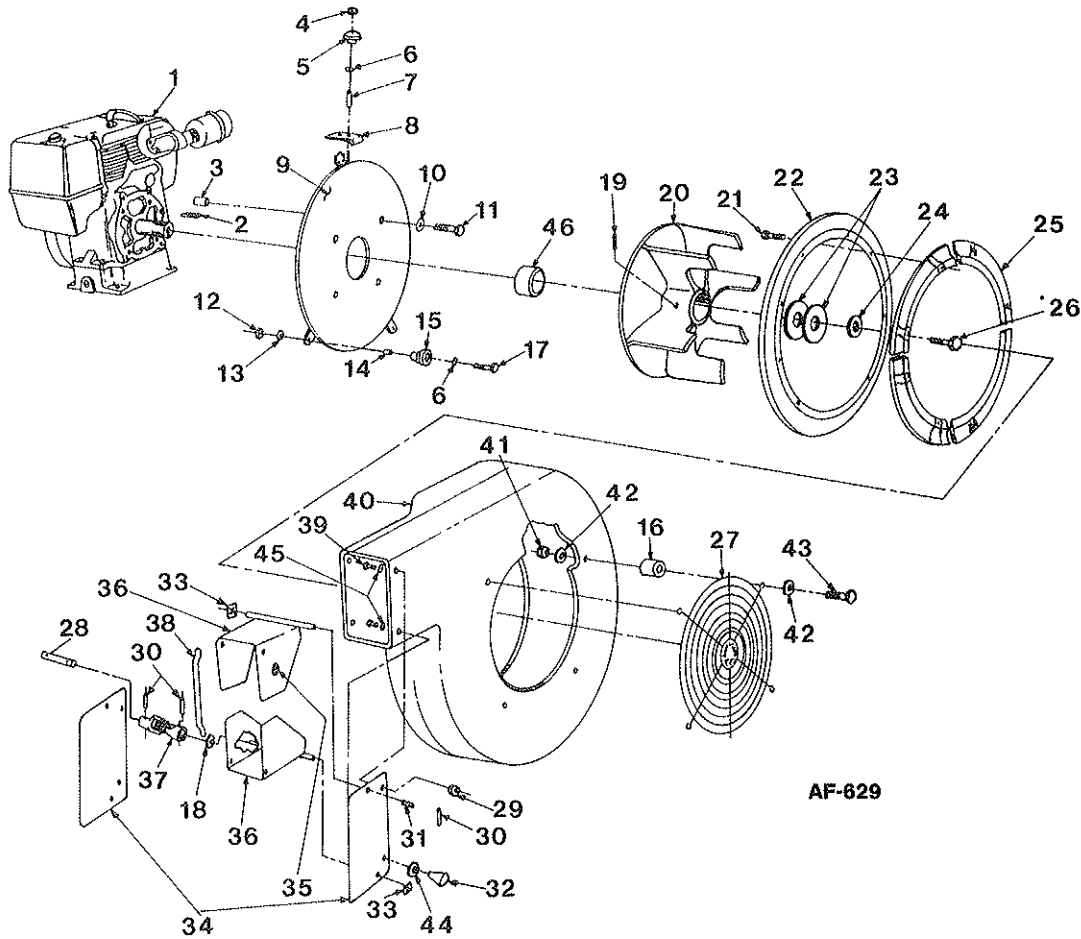
## HANDLE ASSEMBLY



## PARTS LIST

Ref. No.	Part No.	Qty. Per Unit	Description
1	82-249-B	1	Upper Cross Bar
2	65-416-24	6	Bolt, Hex. Hd. 1/4-20 x 1 1/2
3	935-416	2	Lockwasher, Spring, 1/4-20
4	335-416	2	Nut, Hex. Plain, 1/4-20
5	81-164-A	1	Nylon Washer
6	67-521-A	1	Roll Pin 3/16 x 1
7	76-34-A	1	Deflector Control Lever
8	74-135-A	1	Spring
9	76-235-A	1	Control Rod, Upper
10	80-321-C	1	Upper Handle
11	80-232-A	2	Handle Grips
12	82-149-B	2	Middle Handle
13	82-155-C	2	Handle Back Brace
14	365-416	8	Nut, Hex. Lock, 1/4-20
15	935-516	4	Lockwasher, Spring, 5/16
16	69-416-16	1	Bolt, Contour Hd., 1/4-20 x 1
17	80-238-A	4	Insert
18	65-516-24	4	Bolt, Hex, Hd. 5/16-18 x 1 1/2
19	55-161-A	1	Special Washer
20	69-416-24	1	Bolt, Contour Hd., 1/4-20 x 1 1/2
21	83-25-B-36	1	Throttle Control
22	515-10-20	2	Screw, Rd. Hd. 10-24 x 1 1/4
23	82-252-A	1	Bracket
24	365-10	2	Nut, Hex. Lock, 10-24
25	83-18-C	1	Upper Handle
26	80-276-A	2	Clamp — Snap On
27	81-47-B	1	Cross Bar Lower
28	65-416-28	2	Bolt, Hex. Hd., 1/4-20 x 1 3/4
29	82-248-A	1	Control Rod Lower

**BLOWER ASSEMBLY**



AF-629

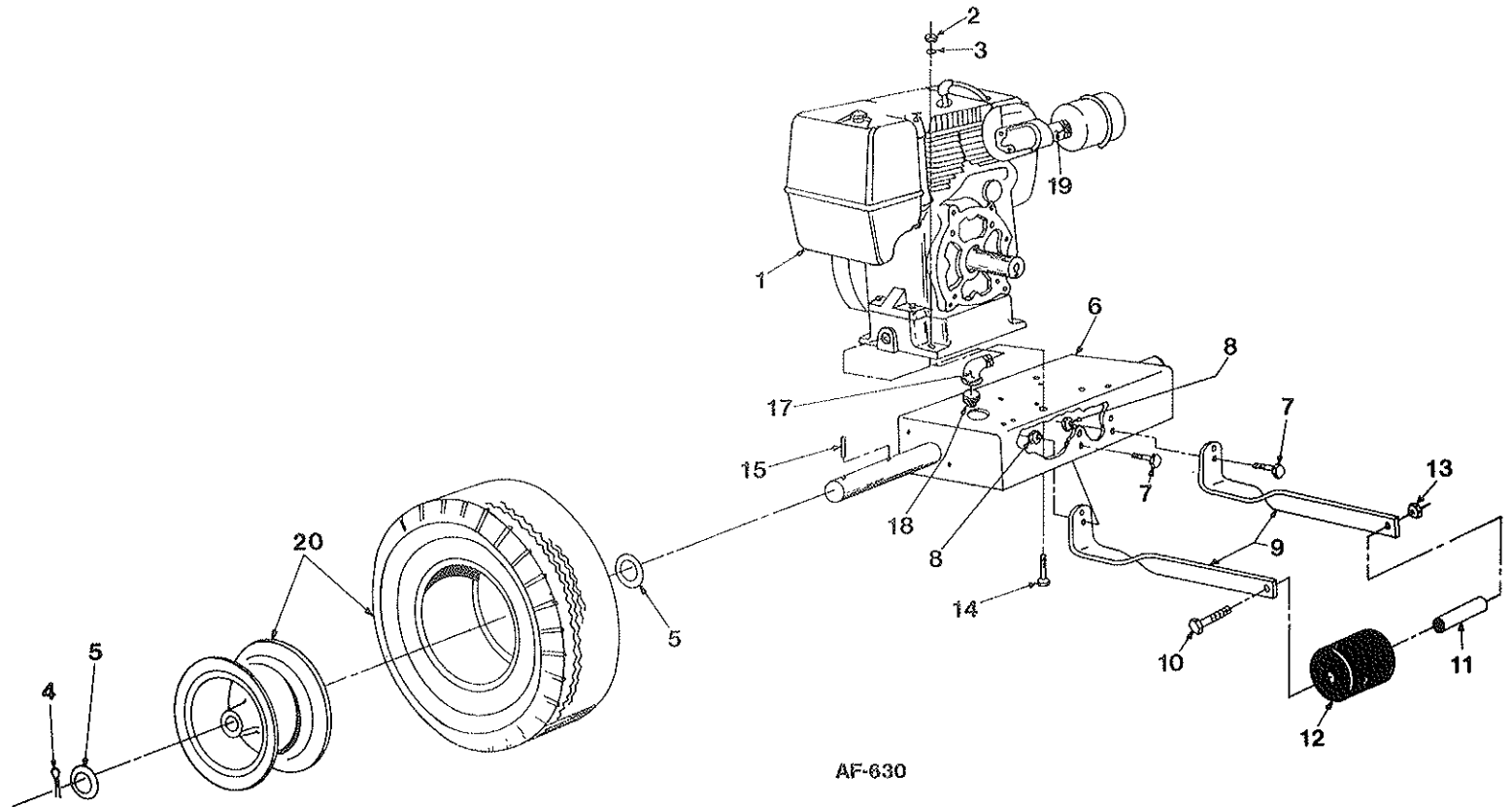
**PARTS LIST**

Ref. No.	Part No.	Qty. Per Unit	Description	Ref. No.	Part No.	Qty. Per Unit	Description
1	**	1	Engine	25	73-123-C	4	Anti-Wrap
2	63-130-A	1	Fan Key 1/4 x 1 3/4	26*	60-716-16	1	Bolt, Fan, 7/16-20 x 1
3	79-139-A	4	Spacer - Back Plate	27	82-121-C	1	Grille
4	335-516-1	1	Nut, Lock, 5/16-18 Stamped	28	81-67-A	1	Rod Insert
5	79-94-A	1	Knob	29	365-416	3	Nut, Hex. Lock, 1/4-20
6	945-516	3	Washer, 5/16	30	60-62-A	3	Roll Pin, 1/8 Dia. x 3/4
7	79-67-A	1	Spacer	31	73-372-A	1	Spring
8	79-51-A	1	Clamp	32	75-79-A	1	Knob
9	80-316-C	1	Back Plate Weldment	33	75-80-A	2	Shaft, Retainer
10	935-616	4	Washer, Spring Lock 3/8	34	73-24-B	2	Exhaust, Side Plate
11	65-616-24	4	Bolt, Hex. Hd., 3/8-16 x 1 1/2	35	73-406-A	1	Friction Disc
12	335-516	2	Nut, Hex., 5/16-18	36	73-125-B	2	Exhaust Def. Weld.
13	935-516	2	Washer, Lock, 5/16	37	82-251-A	1	Universal Joint
14	80-101-A	2	Bushing	38	73-126-A	1	Link, Exhaust Def.
15	80-144-A	2	Guide, Roller	39	65-416-12	3	Bolt, Hex. Hd., 1/4-20 x 3/4
16	82-142-A	4	Spacer	40	82-118-D	1	Blower Housing
17	65-516-20	2	Bolt, Hex. Hd., 5/16-18 x 1 1/4	41	364-416	4	Nut, Hex. 1/4-20
18	81-120-A	1	Spacer	42	945-416	8	Washer, Flat
19	564-C-516-6	1	Set Screw, 5/16-18 x 3/8	43	65-416-24	4	Bolt, Hex. Hd., 1/4-20 x 1 1/2
20	73-118-D	1	Fan Wheel	44	935-416	1	Lockwasher, Spring 1/4
21	505-416-24	8	Screw, Flat Hd., 1/4-20 x 1 1/4	45	945-416	4	Washer, Plain, 1/4
22	79-129-C	1	Pivot Ring	46	74-154-A	1	Spacer, Fan (Kohler)
23	82-138-B3	2	Special Washer	47	65-416-10	1	Bolt, Hex. Hd., 1/4-20 x 5/8
24	935-716	1	Lockwasher, Spring, 7/16				

\*7/16 Bolt Torque to 55 to 59 ft. lbs.

\*\*Kohler Model: M8T Spec. PA-301551.

ENGINE ASSEMBLY



PARTS LIST

Ref. No.	Part No.	Qty. Per Unit	Description
1	**	1	Engine
2	365-616	4	Nut, Hex. Lock 3/8
3	945-616	4	Washer, Flat 3/8
4	380-432-20	2	Cotter Pin 1/8 x 1 1/4
5	945-1216	4	Flatwasher 3/4
6	82-113-C	1	Chassis Weldment
7	65-416-12	4	Bolt Hex. Hd. 1/4-20 x 3/4
8	365-416	4	Nut Hex. Lock 1/4-20
9	82-147-B	2	Roller Support
10	60-816-88	1	Bolt Hex. Hd. 1/2-20 x 5 1/2
11	84-259-A	1	Bushing
12	66-436-A	1	Rubber Roller
13	363-816	1	Hex. Lock Nut 1/2-20
14	65-616-20	4	Bolt Hex. Hd. 3/8-16 x 1 1/4
15	67-521-A	2	Roll Pin
16*	SA-231-B	2	Wheel Assembly
	68-447-B	2	Wheel Hub
	68-312-A	2	Tire
17	57-81-A	1	Street Elbow, 1/2 x 90°, Galvanized
18	—	1	Plug, Supplied with Engine
19	72-291-A	1	Black Pipe Nipple 1 x 3

\*Inflate to a Max. of 30 lbs.

\*\*Kohler Model: M8T Spec. PA-301551.