



Electronic Service Manuals

This electronic document is provided as a service to our customers. We do not create the contents of the information contained in this document. Should you have detailed questions pertaining to the information contained in this document, you may contact Michco, or the manufacturer which provided the original information in this electronic deliverable. Michco's only part in this electronic deliverable was the electronic assembly process. By providing this manual on line we are not guaranteeing parts availability.

You may contact Michco through the following methods:

Phone (517) 484-9312 or (800) 331-3339

2011 N. High St. -- Lansing, Michigan -- 48906

Fax: (517) 484-9836

Email: CustServe@Michco.com

Web site: www.Michco.Com

Parts Web site: www.FloorMachineParts.Com

Order Parts on Line at:

www.FloorMachineParts.Com

Directly to Parts & Service:

By Email: **Shop@Michco.com**

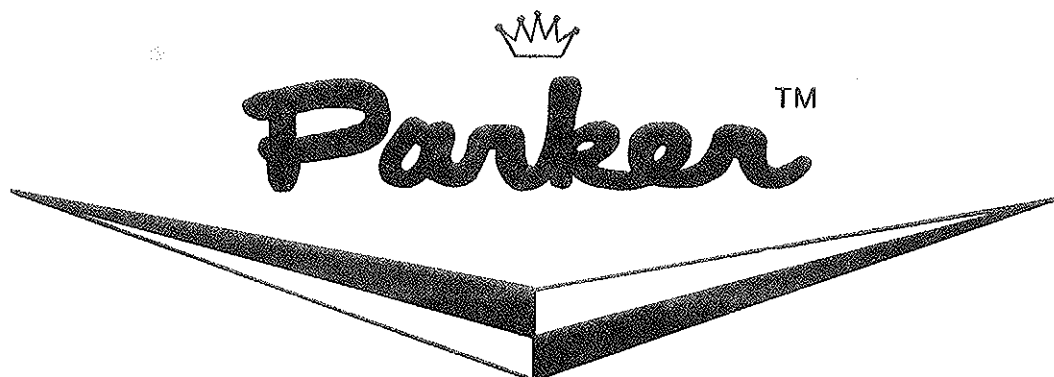
By Fax: (517) 702-2041

By Voice: Use numbers above.

Serving the Cleaning Industry Since 1922

Notice: All copyrighted material remains property of original owners, all trademarks are property of respective owners. Manuals are subject to Manufacturer's reproduction limitations. Originals or reproductions were provided by manufacturers through a request. We make no warranty as to the correctness of information provided in this document and you assume all risk. By placing these manuals on line we are not declaring our corporation to be an manufacturer authorized dealer or provider, please check our web site for authorized manufacturers we represent.

OWNERS GUIDE



hurricane[®]

MODEL NO. HC-8380-B, HC-8380-K



**READ THESE INSTRUCTIONS
BEFORE SETTING UP AND OPERATING MACHINE**

PARKER SWEEPER COMPANY

Box 1728

Springfield, Ohio 45501-1728

TO THE OWNER

These instructions were written to assist you in the assembly and operation of your Hurricane. **READ THE INSTRUCTIONS** thoroughly **BEFORE** attempting to assemble and operate the machine so that you are familiar with the complete procedure and the safety precautions.

RULES FOR SAFE OPERATION



The following safety precautions are suggested to prevent damage to the equipment or injury to the operator or nearby persons.

1. TO PREVENT ACCIDENTAL STARTING ALWAYS REMOVE THE SPARK PLUG before working on the engine or equipment driven by the engine.
2. DO NOT RUN THE ENGINE IN AN ENCLOSED AREA. Exhaust gases contain carbon monoxide which is an odorless and deadly poison.
3. DO NOT FILL GASOLINE TANK WHILE ENGINE IS HOT OR RUNNING. Spilling gasoline on a hot engine may cause a fire or explosion.
4. DO NOT leave machine unattended while running.
5. DO NOT ALLOW machine to blow in direction of people or objects that could be injured by blown materials.
6. AVOID operating machine in dangerous places where steep slopes or loose debris will endanger the safety of operator or other people.

LUBRICATION

The only lubrication necessary is a couple drops of light oil on the throttle control lever and throttle wire where it enters the cable, also on the moving parts on the exhaust deflector.

OPERATING INSTRUCTIONS

1. Before starting the engine, read the Operating and Maintenance Instruction Manual. Add proper gasoline and oil to correct level.
2. Engine should be "broken in" by running at ½ throttle for 30 minutes and full throttle for an additional 30 minutes.
3. Machine will operate effectively by either pushing or pulling.
4. Your Hurricane Blower can be used as either a Low Blow or Hi Blow depending on the application.
5. For moving heavy debris such as sticks, cleaning out flower beds, anything heavier than leaves, use the Low Blow.
6. For controlled blowing of leaves into windrows and stacking use the Hi Blow.

IMPORTANT

ALWAYS GIVE THE FOLLOWING INFORMATION WHEN ORDERING REPAIR PARTS:

- | | |
|-------------------------------|---------------------------|
| 1. Part Number (Not Ref. No.) | 3. Description of Part |
| 2. Quantity Needed | 4. Model No. of Hurricane |

If unable to obtain parts locally, write down above information and send to:
PARKER SWEEPER CO., BOX 1728, SPRINGFIELD, OHIO 45501

Your unit is right hand (R.H.) or left hand (L.H.) as you stand behind it.

GENERAL INFORMATION

Unpacking Information

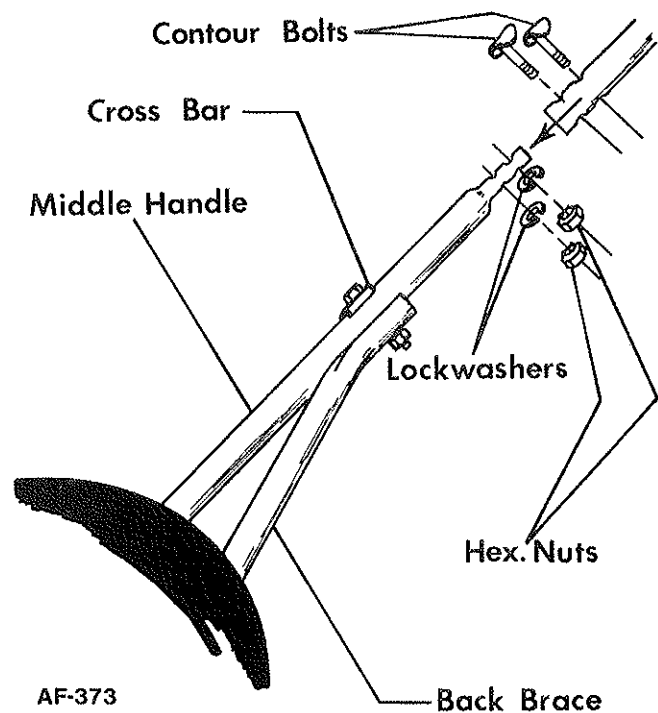
1. Remove the Upper Handle Assembly from box.
2. Remove all inserts.
3. Tip the box over so the housing is facing up and pull Hurricane out of box.
4. **DO NOT DISCARD** any of the inserts or carton until your unit is completely assembled. All hardware is in its proper location. If something is missing notify your local distributor or the factory to obtain parts needed.

B & S Lower Handle Assembly

1. Back brace needs to be attached to the middle handle.
2. Remove the plain hex. nut and lock washer from the hex. hd. bolt holding the lower cross bar to the middle handle.
Note: Leave the bolt in place, it does not need to be removed.
3. Add the back brace to the hex. hd. bolt.
4. Secure the cross bar, middle handle and back brace with the lock washer and plain hex. nut which was removed.

Kohler Lower Handle Assembly

1. Lower cross bar is reversed for shipping purposes.
2. Remove the hex. hd. bolt, lock washer and hex nut from the lower cross bar.
3. Place the lower cross bar on the top of the middle handle.
4. Add the hex. hd. bolt back through the cross bar, middle handle and back brace.
5. Secure with the lock washer and plain hex. nut.

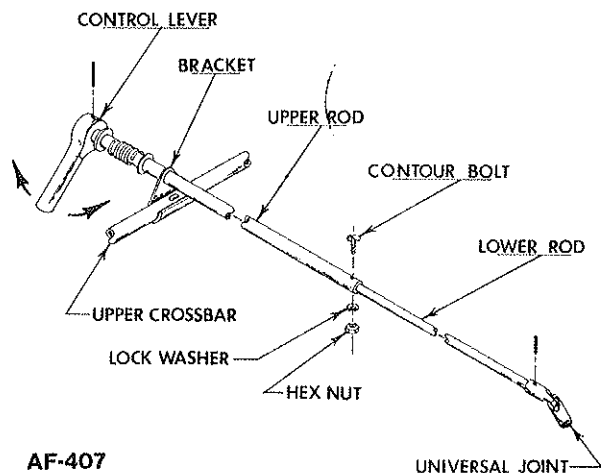


Upper Handle Assembly

1. Remove contour bolts, hex nuts and lockwashers from the end of the upper handle.
2. Insert upper handle assembly onto the lower handle, making sure holes at the end of upper handles are aligned with holes at top of lower handles.
3. Reinsert contour bolts, add lockwashers and hex nuts.

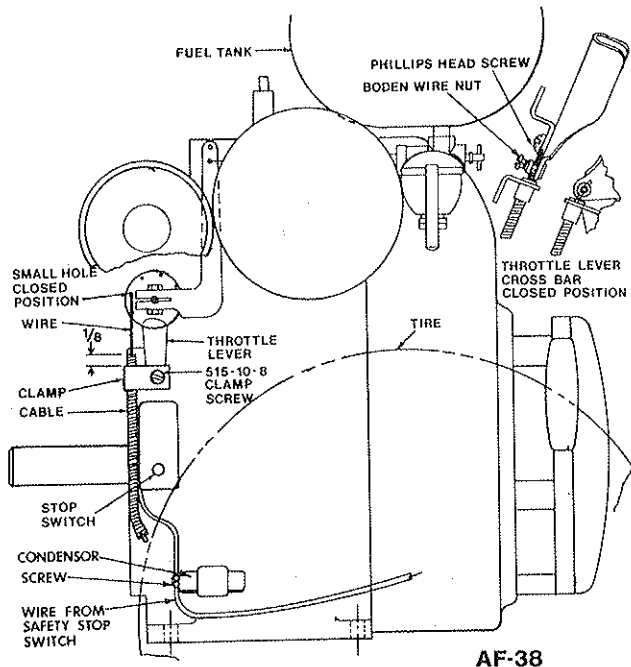
Control Rod Connection

1. Remove the contour hd. bolt, lockwasher and hex. nut from the end of the upper control rod.
2. Telescope the lower and upper control rods together.
3. Add the contour hd. bolts, lockwasher and hex nut back to the control rods.

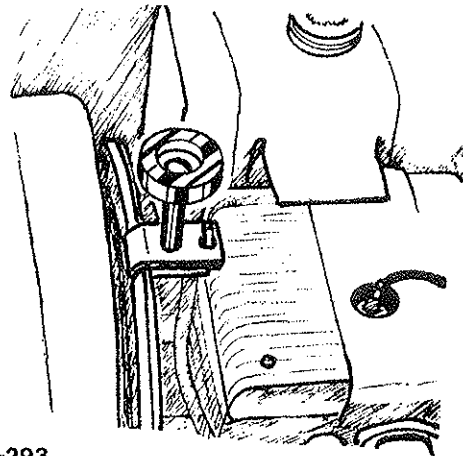


**SAFETY IS IMPORTANT!
DO NOT IGNORE IT!
OBSERVE IT!
BE SAFE!**

General Information



AF-38



AF-293

- By turning the knob on the control rod assembly fastened to the upper cross bar, the deflection angle can be changed to control the air flow from the exhaust deflector.

Kohler Engine Throttle Hook-up

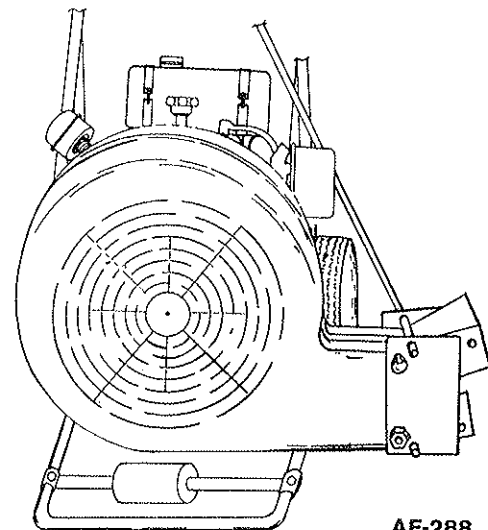
- Loosen clamp screw and slip cable through clamp on left side of the screw.
- Insert end of wire into small hole in throttle control lever in closed position. The cable is attached to the throttle control lever bracket.
- At the lower end of throttle assembly, insert end of wire into small hole in throttle lever on engine as shown.
- With about 1/8 inch of cable extending beyond clamp, tighten screw.
- Check travel of throttle lever and adjust as follows: With the throttle lever on engine in the closed position, the lever on handle should be as shown.
- Next, tighten boden wire nut on throttle lever to prevent slipping on throttle wire. Throttle assembly is now ready to test.

NOTE: If throttle does not stay open due to vibration of machine, tighten friction screw on lever assembly until there is sufficient friction to hold throttle open.

Blower Adjustment "Hi or Low"

When adjusting the blower housing to HI or LOW BLOW, engine must be stopped with the spark plug wire disconnected.

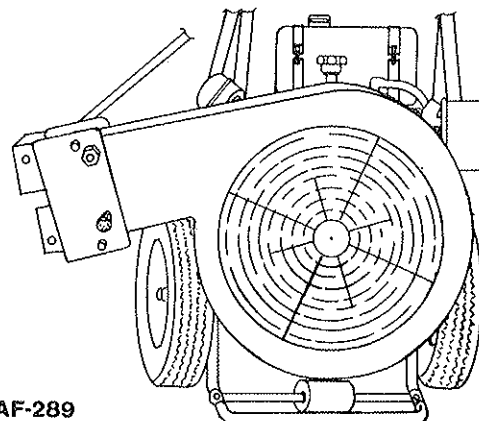
- To adjust the blower housing to a desired position, turn the knob counter-clockwise to loosen.
- Pivot the exhaust deflector to the desired position, and tighten the knob.
- It is not necessary to detach the exhaust deflector control rod assembly. It will pivot with the blower housing to any position.



AF-288

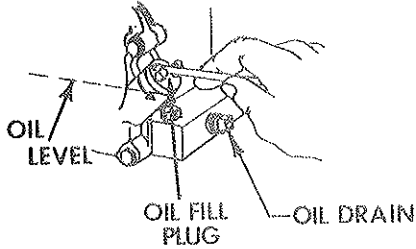
Blower housing in the Low Blow position.

Blower housing in the Hi Blow position



AF-289

IMPORTANT WARNING: the engine contains NO OIL. Read the Engine Instruction Manual carefully before operating. Be sure you know how to start and stop the engine before proceeding further. Do not start the engine until all assembly is finished.



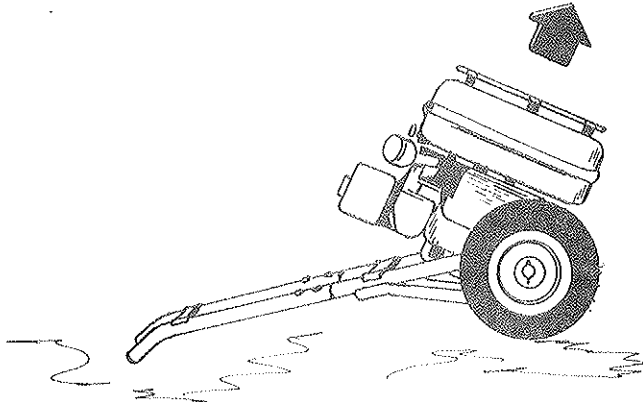
AF-313

CAUTION: Before starting to work on the Engine or the equipment driven by the Engine, always remove the spark plug to prevent accidental starting.

INSTRUCTIONS FOR REMOVING OR INSTALLING THE BLOWER HOUSING

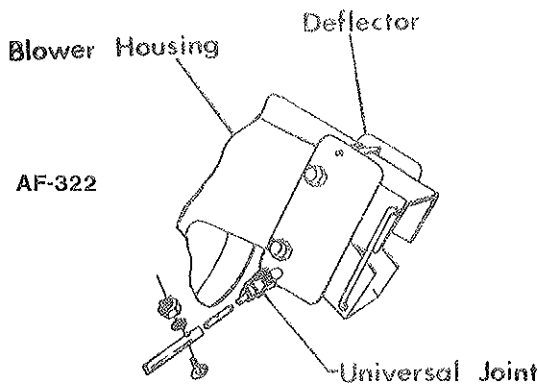
To Remove the Blower Housing:

1. Push the handle of the Hurricane down until the handle is resting on the ground,



AF-409

2. Remove the contour head bolt, hex. nut and lock washer, holding the upper and lower control rods together.



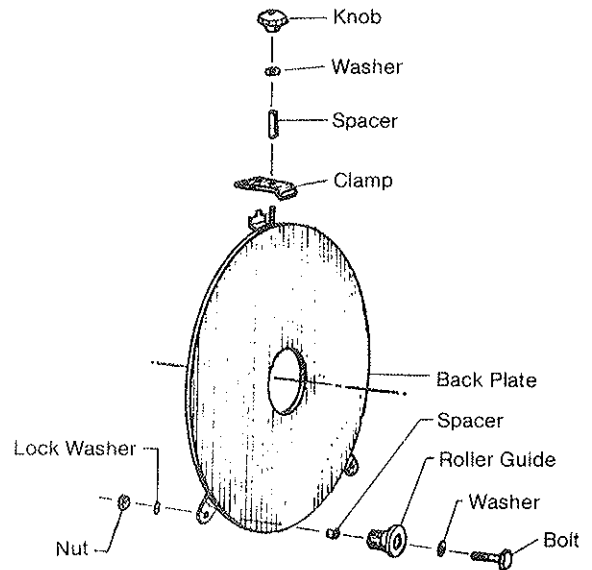
AF-322

3. To loosen the top of the blower housing, unscrew the knob and remove the washer, spacer and clamp.
4. To loosen the bottom of the blower housing, remove the roller guides by unscrewing the nuts on each side.
5. Remove the lock washers and pull out the roller guides bringing the bolts, washers and spacers with them.
6. Remove the blower housing by lifting it off the fan.

To Install the Blower Housing:

1. Place the blower housing over the fan and position the pivot ring against the back plate.
2. Re-insert the bolts with the roller guides, washers and spacers.
3. Add the washer, screw on the nut, and tighten.
4. At the top of the housing, replace the clamp, spacer, washer and screw on the knob.

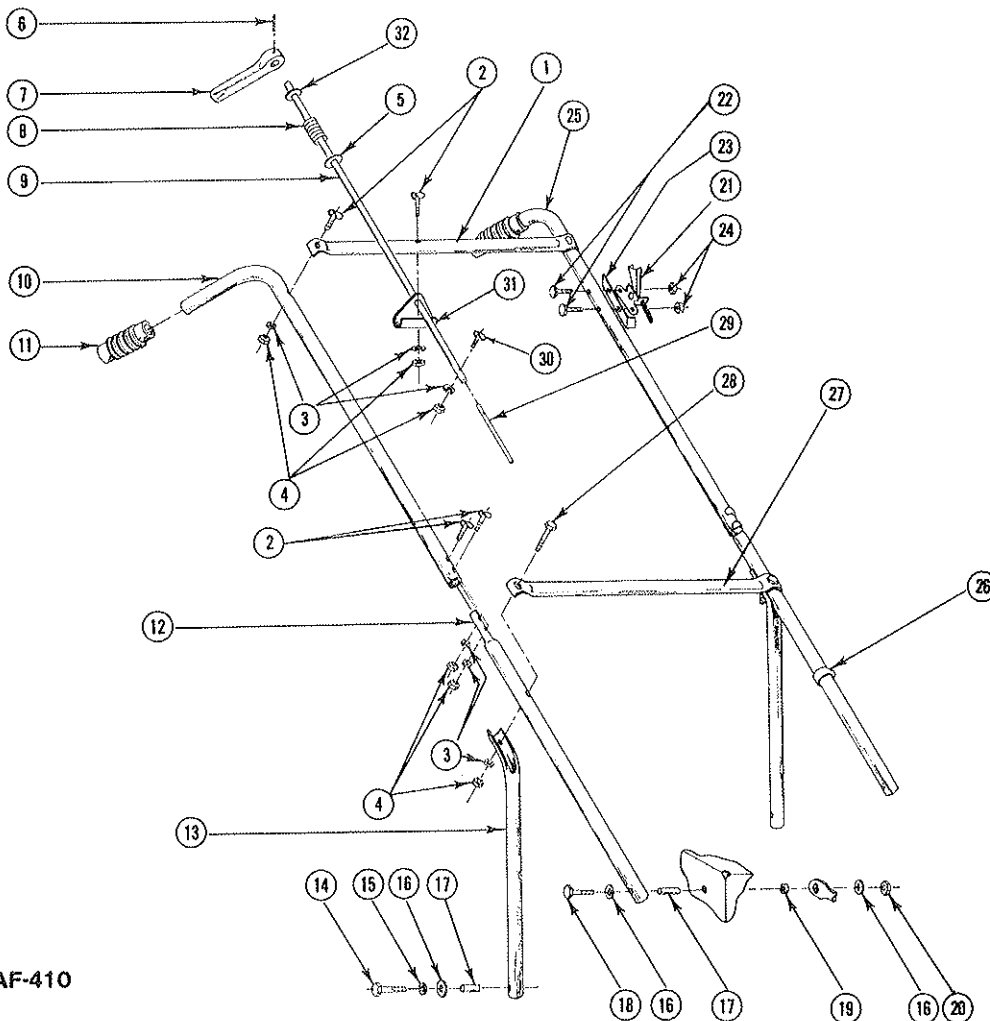
AF-298



CAUTION: Replace the spark plug, but before attaching the ignition wire to the spark plug, pull the recoil starter cord to rotate the fan, to make sure the fan can rotate freely.

Attach the ignition wire to the spark plug and your Hurricane Blower is ready for operation.

HANDLE ASSEMBLY

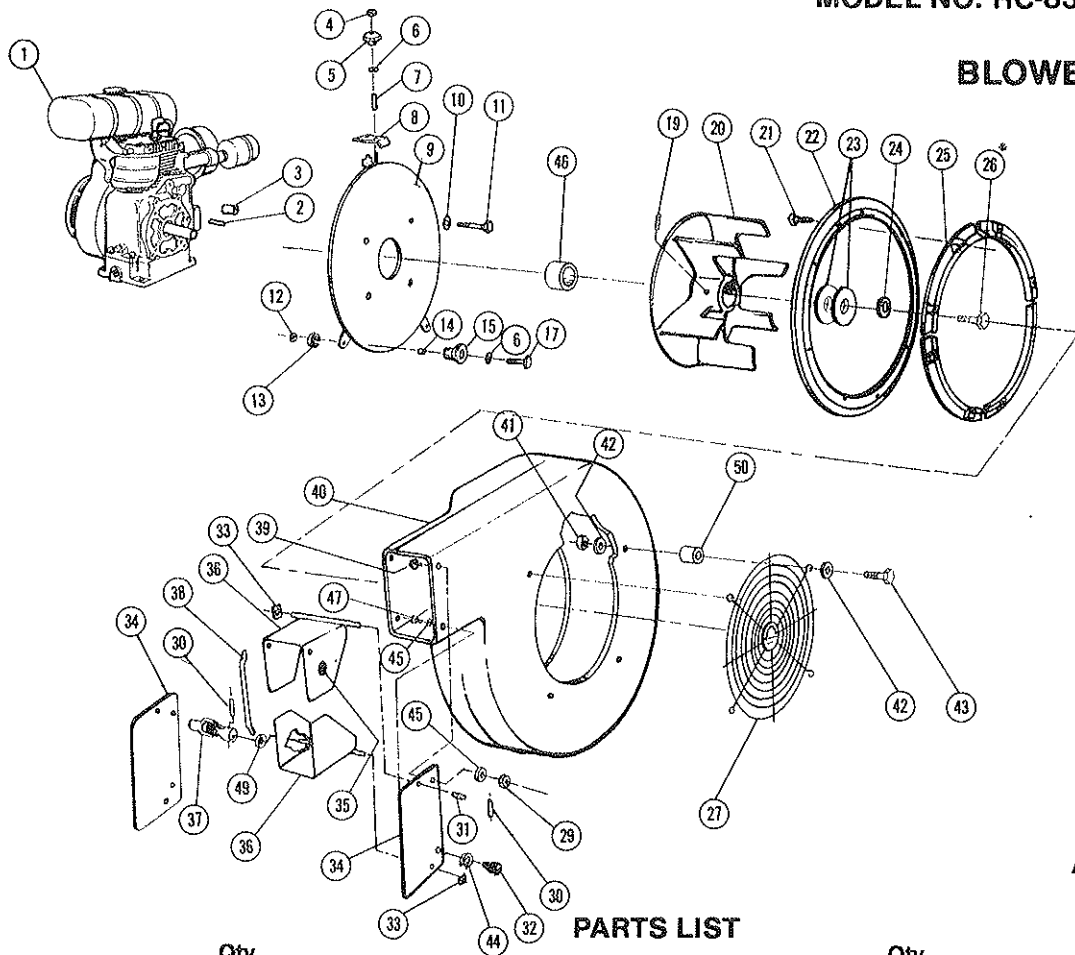


AF-410

PARTS LIST

| Ref. No. | Part No. | Qty. Per Unit | Description | Ref. No. | Part No. | Qty. Per Unit | Description |
|----------|-----------|---------------|------------------------------|----------|-----------|---------------|--------------------------------|
| 1 | 82-249-B | 1 | Upper Cross Bar | 18 | 65-516-32 | 2 | Bolt, Hex. Hd., 5/16-18x2 |
| 2 | 69-416-24 | 7 | Bolt, Contour Hd., 1/4-20x1½ | 19 | 74-126-A | 2 | Spacer |
| 3 | 935-416 | 10 | Lock Washer, Spring, 1/4-20 | 20 | 365-516 | 2 | Nut, Hex. Lock, 5/16-18 |
| 4 | 335-416 | 10 | Nut, Hex. Plain, 1/4-20 | 21 | 82-104-A | 1 | Throttle Control (B&S only) |
| 5 | 81-164-A | 1 | Nylon Washer | 21 | 73-36-A | 1 | Throttle Control (Kohler only) |
| 6 | 67-521-A | 1 | Roll Pin 3/16x1 | 22 | 515-10-24 | 2 | Screw, Rd. Hd. 10-24x1½ |
| 7 | 76-34-A | 1 | Deflector Control Lever | 23 | SA-1148-A | 1 | Bracket Weldment (Kohler) |
| 8 | 74-135-A | 1 | Spring | 24 | 365-10 | 2 | Nut, Hex. Lock, 10-24 |
| 9 | 76-235-A | 1 | Control Rod, Upper | 25 | 83-18-C | 1 | Upper Handle |
| 10 | 80-321-C | 1 | Upper Handle | 26 | 80-276-A | 1 | Clamp - Snap On |
| 11 | 80-232-A | 2 | Handle Grips | 27 | 81-47-B | 1 | Cross Bar Lower |
| 12 | 82-149-B | 2 | Middle Handle | 28 | 65-416-28 | 2 | Bolt, Hex. Hd., 1/4-20x1½ |
| 13 | 82-155-C | 2 | Handle Back Brace | 29 | 82-248-A | 1 | Control Rod Lower |
| 14 | 65-516-28 | 2 | Bolt, Hex. Hd. 5/16-18x1¾ | 30 | 69-416-16 | 1 | Bolt, Contour Hd., 1/4-20x1 |
| 15 | 935-516 | 2 | Lock Washer, Spring, 5/16 | 31 | 82-252-A | 1 | Bracket |
| 16 | 945-516 | 6 | Flat Washer, 5/16 | 32 | 55-161-A | 1 | Special Washer |
| 17 | 80-238-A | 4 | Insert | | | | |

BLOWER ASSEMBLY



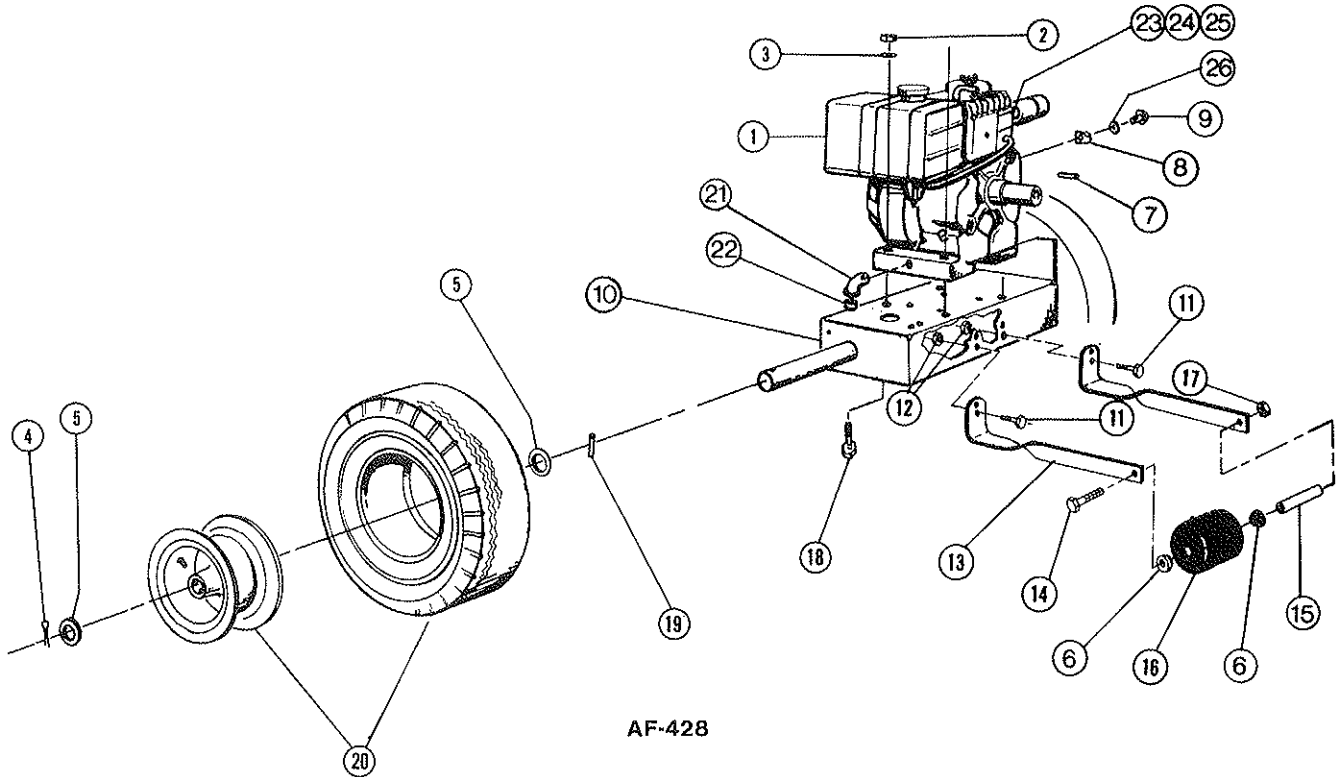
AF-259

PARTS LIST

| Ref. No. | Part No. | Qty. Per Unit | Description | Ref. No. | Part No. | Qty. Per Unit | Description |
|----------|-------------|---------------|-------------------------------|----------|-----------|---------------|------------------------------|
| 1 | | 1 | Engine | 27 | 82-121-C | 1 | Grill Assembly |
| 2 | 63-130-A | 1 | Fan Key 1/4x1 1/4 | 28 | 81-67-A | 1 | Rod Insert |
| 3 | 79-139-A | 4 | Spacer - Back Plate | 29 | 365-416 | 3 | Nut, Hex. Lock, 1/4-20 |
| 4 | 335-516-1 | 1 | Nut, Lock, 5/16-18 Stamped | 30 | 60-62-A | 2 | Roll Pin, 1/8 Dia. x 3/4 |
| 5 | 79-94-A | 1 | Knob | 31 | 73-372-A | 1 | Spring |
| 6 | 945-516 | 3 | Washer, 5/16 | 32 | 75-79-A | 1 | Knob |
| 7 | 79-67-A | 1 | Spacer | 33 | 75-80-A | 2 | Shaft, Retainer |
| 8 | 79-51-A | 1 | Clamp | 34 | 73-124-B | 2 | Exhaust, Side Plate |
| 9 | 80-316-C | 1 | Back Plate Weldment | 35 | 73-406-A | 1 | Friction Disc |
| 10 | 935-616 | 4 | Washer, Spring Lock, 3/8 | 36 | 73-125-B | 2 | Exhaust Deft. Weld. |
| 11 | 65-616-24 | 4 | Bolt, Hex. Hd., 3/8-16x1 1/2 | 37 | 82-251-A | 1 | Universal Joint |
| 12 | 335-516 | 2 | Nut, Hex., 5/16-18 | 38 | 73-126-A | 1 | Link, Exhaust Def. |
| 13 | 935-516 | 2 | Washer, Lock, 5/16 | 39 | 65-416-12 | 3 | Bolt, Hex. Hd., 1/4-20x3/4 |
| 14 | 80-101-A | 2 | Bushing | 40 | 82-118-D | 1 | Blower Housing |
| 15 | 80-144-A | 2 | Guide, Roller | 41 | 364-416 | 4 | Nut, Hex. 1/4-20 |
| 17 | 65-516-20 | 2 | Bolt, Hex. Hd., 5/16-18x1 1/4 | 42 | 945-416 | 8 | Washer, Flat |
| 19 | 564-C-516-6 | 1 | Set Screw, 5/16-18x3/8 | 43 | 65-416-24 | 4 | Bolt, Hex. Hd., 1/4-20x1 1/2 |
| 20 | 73-118-D | 1 | Fan Wheel | 44 | 935-416 | 1 | Lockwasher, Spring, 1/4 |
| 21 | 505-416-24 | 8 | Screw, Flat Hd., 1/4-20x1 1/4 | 45 | 945-416 | 4 | Washer, Plain, 1/4 |
| 22 | 79-129-C | 1 | Pivot Ring | 46 | 73-415-A | 1 | Spacer, Fan, (B&S) |
| 23 | 82-138-B3 | 2 | Special Washer | 46 | 74-154-A | 1 | Spacer, Fan (Kohler) |
| 24 | 935-716 | 1 | Lockwasher, Spring, 7/16 | 47 | 65-416-10 | 1 | Bolt, Hex. Hd., 1/4-20x5/8 |
| 25 | 73-123-C | 4 | Anti-Wrap | 49 | 81-71-A | 1 | Sleeve |
| 26* | 60-716-16 | 1 | Bolt, Fan, 7/16-20x1 | 50 | 82-142-A | 4 | Spacer, Grille |

* 7/16 Bolt Torque to 55 to 59 ft. lbs.

ENGINE ASSEMBLY



PARTS LIST

| Ref. No. | Part No. | Description | Kohler | B & S |
|----------|------------|-------------------------------------|--------|-------|
| 1** | 83-47-D | Engine | 1 | - |
| 1*** | 73-102-C | Engine | - | 1 |
| 2 | 365-516 | Nut Hex. Lock 5/16 | - | 4 |
| 2 | 365-616 | Nut, Hex. Lock 3/8 | 4 | - |
| 3 | 945-516 | Washer Flat 5/16 | - | 4 |
| 3 | 945-616 | Washer, Flat 3/8 | 4 | - |
| 4 | 380-432-20 | Cotter Pin 1/8 x 1 1/4 | 2 | 2 |
| 5 | 945-1216 | Flatwasher 3/4 | 4 | 4 |
| 6 | 66-432-A | Bearing | 2 | 2 |
| 7 | 63-130-A | Key | 1 | 1 |
| 8 | 75-115-A | Throttle Cable Clip | 1 | - |
| 9 | 515-8-8 | Screw, Rd. Hd. #8-32 x 12 | 1 | - |
| 10 | 82-113-C | Chassis Weldment | 1 | 1 |
| 11 | 65-416-12 | Bolt Hex. Hd. 1/4-20 x 3/4 | 4 | 4 |
| 12 | 365-416 | Nut Hex. Lock 1/4-20 | 4 | 4 |
| 13 | 82-147-B | Roller Support | 2 | 2 |
| 14 | 60-816-88 | Bolt Hex. Hd. 1/2-20 x 5 1/2 | 1 | 1 |
| 15 | 83-65-A | Axle Spacer | 1 | 1 |
| 16 | 66-436-A | Rubber Roller | 1 | 1 |
| 17 | 363-816 | Hex. Lock Nut 1/2-20 | 1 | 1 |
| 18 | 65-516-28 | Bolt Hex. Hd. 5/16-18 x 1 3/4 | - | 4 |
| 18 | 65-616-20 | Bolt Hex. Hd. 3/8-16 x 1 1/4 | 4 | - |
| 19 | 67-521-A | Roll Pin | 2 | 2 |
| 20* | SA-231-B | Wheel Assembly | 2 | 2 |
| | 68-447-B | • Wheel Hub | 2 | 2 |
| | 68-312-A | • Tire | 2 | 2 |
| 21 | 73-363-A | Street Elbow, 3/8 x 90°, Galvanized | - | 1 |
| 21 | 57-81-A | Street Elbow, 1/2 x 90°, Galvanized | 1 | - |
| 22 | — | Plug, Supplied with Engine | 1 | 1 |
| 23 | 69-125-A | Black Street Elbow, 1 x 45° | 1 | - |
| 24 | 67-68-A | Black Pipe Nipple 1 x 4 | 1 | - |
| 25 | 73-240-A | Conduit Lock Nut 1" | 1 | - |
| 26 | 935-8 | Lockwasher, Spring #8 | 1 | - |

*Inflate to a Max. of 30 lbs.

**Kohler Model No. K-181-T, Spec. 30814

***B&S Model No. 190412, Spec. 2658-01