



## Electronic Service Manuals

This electronic document is provided as a service to our customers. We do not create the contents of the information contained in this document. Should you have detailed questions pertaining to the information contained in this document, you may contact Michco, or the manufacturer which provided the original information in this electronic deliverable. Michco's only part in this electronic deliverable was the electronic assembly process. By providing this manual on line we are not guaranteeing parts availability.

You may contact Michco through the following methods:

Phone (517) 484-9312 or (800) 331-3339

2011 N. High St. -- Lansing, Michigan -- 48906

Fax: (517) 484-9836

Email: [CustServe@Michco.com](mailto:CustServe@Michco.com)

Web site: [www.Michco.Com](http://www.Michco.Com)

Parts Web site: [www.FloorMachineParts.Com](http://www.FloorMachineParts.Com)

Order Parts on Line at:

**[www.FloorMachineParts.Com](http://www.FloorMachineParts.Com)**

Directly to Parts & Service:

By Email: **[Shop@Michco.com](mailto:Shop@Michco.com)**

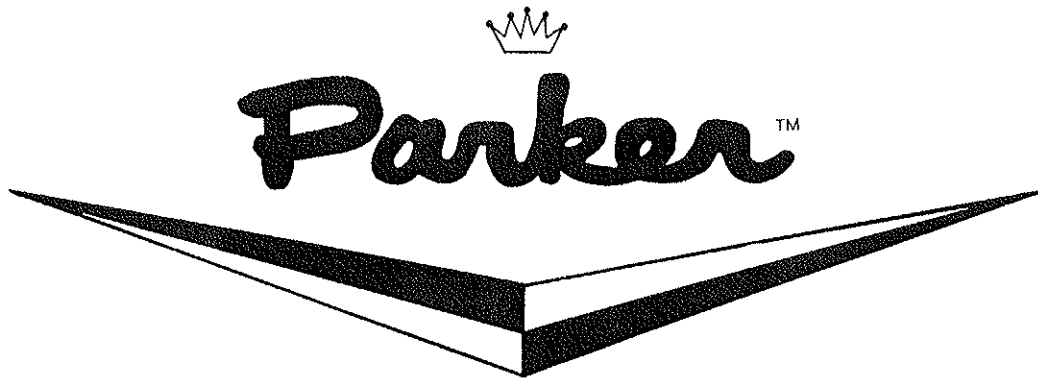
By Fax: (517) 702-2041

By Voice: Use numbers above.

***Serving the Cleaning Industry Since 1922***

Notice: All copyrighted material remains property of original owners, all trademarks are property of respective owners. Manuals are subject to Manufacturer's reproduction limitations. Originals or reproductions were provided by manufacturers through a request. We make no warranty as to the correctness of information provided in this document and you assume all risk. By placing these manuals on line we are not declaring our corporation to be an manufacturer authorized dealer or provider, please check our web site for authorized manufacturers we represent.

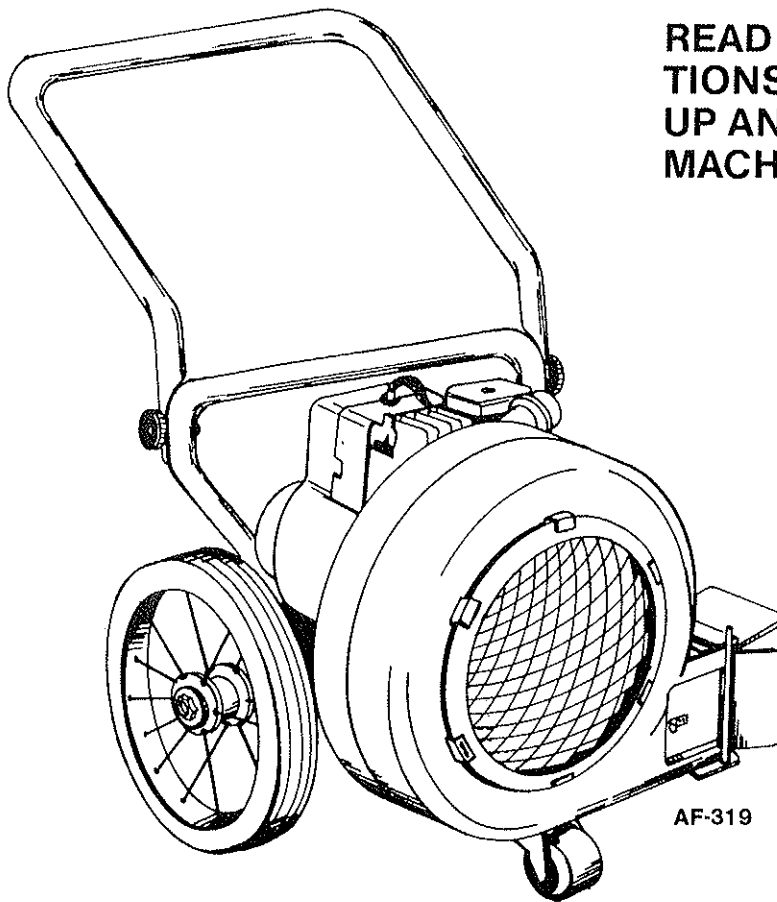
# OWNERS GUIDE



## hurricane

MODEL HC-8150

READ THESE INSTRUCTIONS BEFORE SETTING UP AND OPERATING MACHINE.



AF-319

PARKER SWEEPER COMPANY

Box 1728

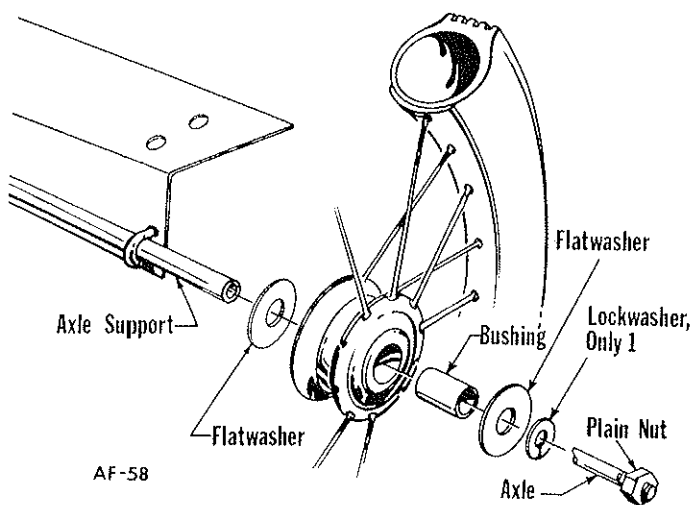
Springfield, Ohio 45501-1728

Plate No. 694

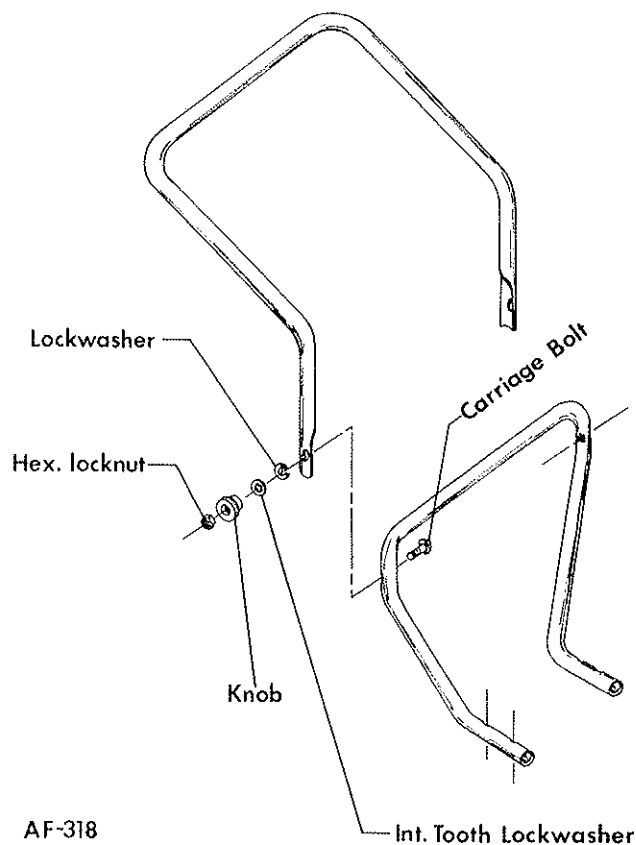
## ASSEMBLY & OPERATING INSTRUCTIONS

Your hurricane blower is shipped complete in one carton. Remove the contents but *DO NOT* discard the carton or any inserts until after the machine is completely assembled. The right or left of the unit is determined at a position standing at the rear of the unit.

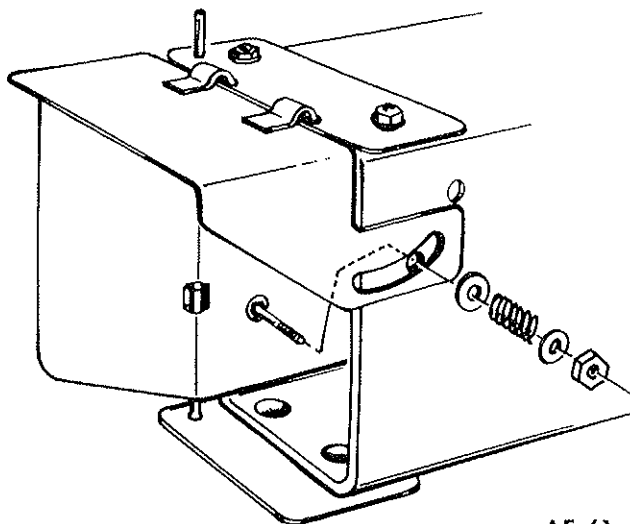
1. The first thing to assemble will be the axle and wheels. Remove the axle assembly from its packing. Only one hexagon nut on the axle assembly can be removed by hand. Remove the hexagon nut, lockwasher, 3 flatwashers. Now insert the axle with remaining hardware on it through one of the tires, making sure wheel bushing is fitted in wheel hub all the way. Put one flatwasher back on axle up against wheel, there should be another flatwasher already on the other side of the tire. Tilt unit sideways and insert axle through axle support on frame and then tilt unit back the other way so its resting on the tire you just installed. On other end of axle add a flatwasher against the support tube. Insert the remaining wheel bushing into wheel hub and add wheel onto axle. Add the last flatwasher, lockwasher and secure with hexagon nut. Be sure that one flatwasher is one each side of tire. Push unit back and forth to make sure tires turn freely. If tires don't want to turn freely refer to picture below to make sure all parts are on correctly and repeat above instructions.



2. To attach upper handle you must remove carriage bolt, lockwasher, knob and hexagon nut from lower handle assembly. From inside of lower handle, (square slot side) reinsert carriage bolt through lower handle, upper handle and add split lockwasher, internal tooth lockwasher, plastic knob and screw on hexagon lock nut until about 2 to 3 threads are protruding through the nut. Repeat the operation for opposite side. NOTE: Hexagon nut should not be tightened all the way down on knob or knob will not be free to turn.



3. The last item to assemble is the exhaust deflector. To do this, insert the step bolt from the inside of the exhaust opening through the slot in the side of the deflector. Now install the flat washer over the bolt, then the spring, the washer and the nut. The tension on the spring can be adjusted by screwing the nut in or out on the bolt.



## OPERATING INSTRUCTIONS

Now that your hurricane 5 is completely assembled, you are ready to start the engine. But before you do start the engine, read the engine operators manual and add the proper amount and grade of gasoline and oil. If you plan to operate this machine in any grassy or brushy area where there is any possibility of **FIRE HAZARD** you **MUST** equip the engine with a **SPARK ARRESTER**. **IN THE STATE OF CALIFORNIA, IT IS MANDATORY THAT YOU INSTALL A SPARK ARRESTER.** Spark arresters are available from your dealer.

1. To start the engine, move choke control forward to close choke. Move throttle control on engine to the fast position. With a firm grip on the starter rope knob pull the starter rope and the engine should start. When engine starts, push choke control back to open position or engine will die. It is best to operate the engine at about ½ throttle for the first hour or so in order to properly seat the moving parts. **TO STOP THE ENGINE**, push the throttle control lever to its lowest position. This will activate a grounding switch and stop the engine.
2. Your hurricane has been designed to operate with a minimum amount of care and maintenance. However, it is best to check all nuts and bolts from time to time for tightness. The wheel bearings are pre-packed with lubricant and shouldn't require any additional lubrication. The engine oil level should be checked every time that you fill the fuel tank. Refer to engine manual for proper grade and amount of oil.
3. For blowing leaves, debris, water or snow, it is best to run the blower at full throttle and to blow the material down wind. Blowing leaves, snow and other light objects into the wind is self-defeating and all you will do is to stir up the material for it will settle back where it was. To clean a large area, start at the outer perimeter and blow the material toward the center. Since the hurricane blows equally as well whether pushed or pulled you can use it in either direction. However, in many instances it is easier to pull the machine than to push it. If the area to be cleaned is very large or the debris is very dense, it may be best to split the area into small plots and blow the material into several smaller piles rather than into one large one. As the area to be cleaned becomes smaller and the pile of debris becomes larger it is well to reduce the engine speed to prevent blowing the collected debris over the pile and into the area that has already been cleaned. Notice that the blower exhaust opening at the left side of the machine is equipped with two deflectors. The one inside the opening will deflect the exhaust air either to the side or to the front. The deflector on the outside and top of the opening will deflect the air downward toward the surface to be cleaned or straight out away from the blower.

## FOR SAFE OPERATION

**TO PREVENT ACCIDENTAL STARTING** always remove the spark plug before working on the engine or equipment driven by the engine.

**DO NOT RUN THE ENGINE IN AN ENCLOSED AREA.** Exhaust gases contain carbon monoxide, an odorless and deadly poison.

**DO NOT FILL GASOLINE TANK WHILE ENGINE IS RUNNING.** Spilling gasoline on a hot engine may cause a fire or explosion.

**DO NOT** leave machine unattended while running.

**DO NOT** allow machine to blow in direction of people or objects that could deflect blown materials.

**AVOID** operating machine in dangerous places where steep slopes or loose debris will endanger the safety of operator or other people.

**WHEN USING BAGGING ATTACHMENT** caution must be taken to prevent picking up tin cans, glass and blocks of wood. It was not intended for this type of service, since tremendous stresses are set up as these pieces pass through the impeller.

### ALWAYS GIVE THE FOLLOWING INFORMATION WHEN ORDERING REPAIR PARTS:

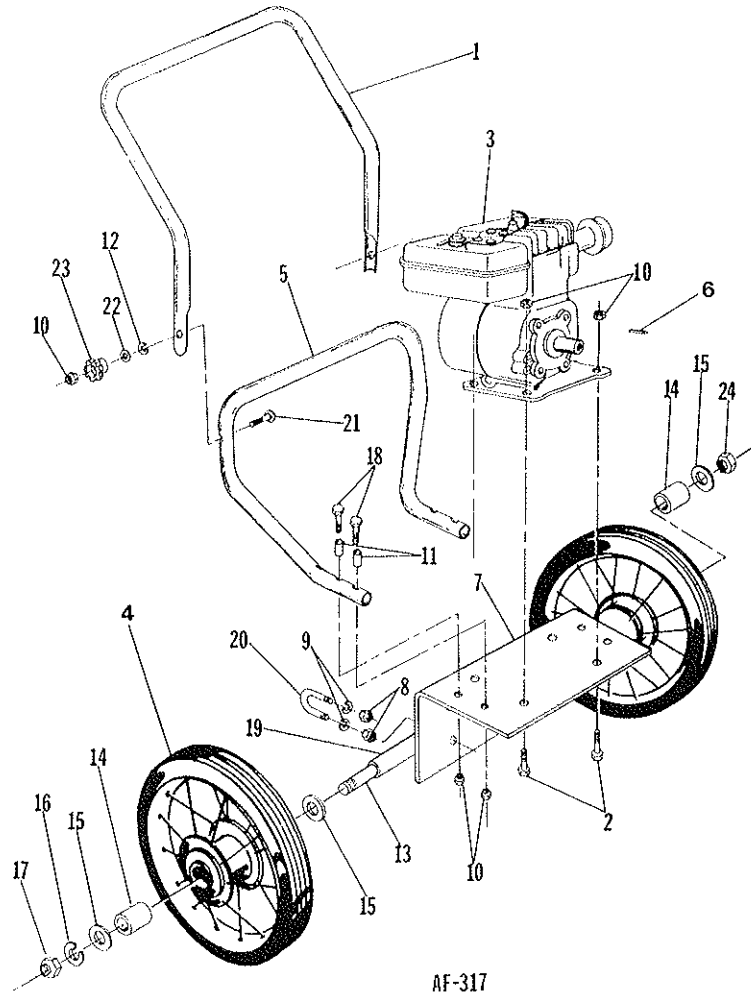
1. PART NUMBER (Not Ref. No.)
2. QUANTITY NEEDED
3. DESCRIPTION OF PART
4. STOCK NO. HC-8150

If unable to obtain parts locally, write down above information and send to:  
**PARKER SWEEPER CO., BOX 1728, SPRINGFIELD, OHIO 45501-1728**

You unit is right (R.H.) or left hand (L.H.) as you stand behind it.

**IMPORTANT**

HANDLE AND FRAME ASSEMBLY

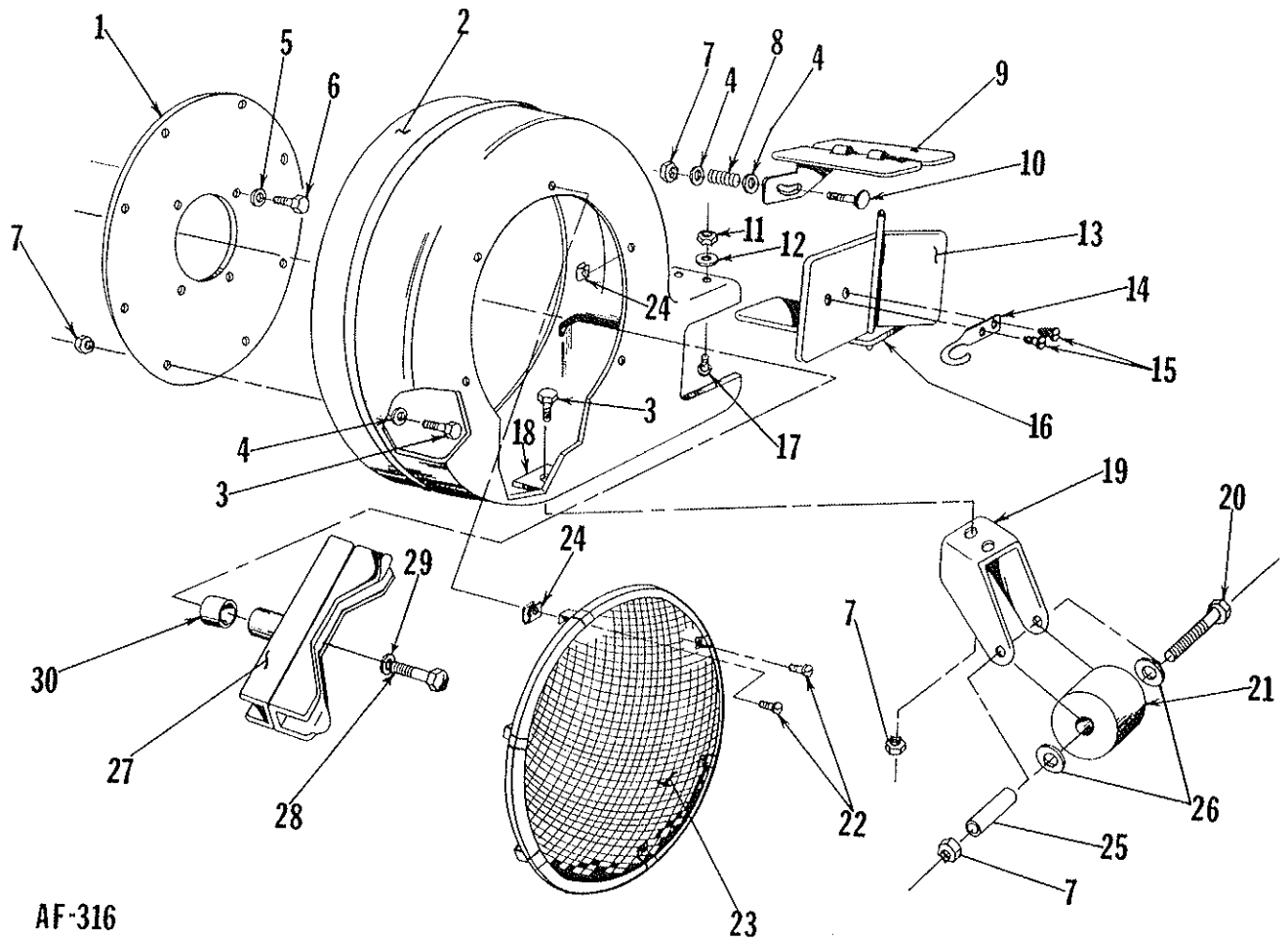


AF-317

PARTS LIST

Ref. No.	Part No.	Qty. Per Unit	Description	Ref. No.	Part No.	Qty. Per Unit	Description
1	80-268-C ✓	1	Upper Handle	13	80-218-A ✓	1	Axle Assy.
2	65-516-12	4	Bolt 5/16-18 x 3/4 Hex. Hd.	14	73-33-A	2	Wheel Bushing
3	81-91-D ✓	1	Engine	15	945-816	4	Washer 1/2 Flat
6	61-65-A	1	Engine Key	16	935-816	1	Lockwasher 1/2 Spring
5	81-110-C ✓	1	Lower Handle	17	345-816	1	Nut 1/2-20 Hex. Jam
f	SA-357-C	2	Wheel Assy.	18	65-516-28	4	Bolt Hex. Hd. 5/16-18 x 1 3/4
7	80-217-D ✓	1	Engine Base	19	80-219-A ✓	1	Axle Support
8	335-416	4	Nut 1/4-20 Hex.	20	81-122-A ✓	2	U-Bolt
9	935-416	4	Lockwasher 1/4 Spring	21	81-94-A	2	Carriage Bolt 5/16-18 x 2 3/4
10	365-516	10	Nut 5/16-18 Hex. Lock	22	936-516	2	Lockwasher Int. Tooth 5/16
11	80-238-A	4	Handle Insert	23	79-94-A	2	Knob
12	935-516	2	Lockwasher 5/16 Spring	24	368-816	1	Nut 1/2-20 Hex. Lock

HOUSING UNIT ASSEMBLY



AF-316

REPAIR PARTS

Ref. No.	Part No.	Qty. Per Unit	Description	Ref. No.	Part No.	Qty. Per Unit	Description
1	61-02-C	1	Back Plate	16	81-73-A ✓	1	Pivot Plate
2	81-100-D ✓	1	Blowr Housing	17	70-416-10	4	Carriage Bolt 1/4-20 x 3/4
3	65-416-12	8	Bolt 1/4-20 x 3/4 Hex. Hd.	18	81-93-A ✓	1	Plate
4	945-416	10	Flat Washer 1/4"	19	81-92-A ✓	1	Caster Fork
5	935-516	4	Lockwasher 5/16 spring	20	65-416-44	1	Roller Axle, Bolt Hex. Hd.
6	60-516-10	4	Bolt 5/16-24 x 3/8 Hex. Hd.	21	78-56-A	1	Roller
7	365-416	11	Nut 1/4-20 Hex. Lock	22	515-10-8	6	Screw Rd. Hd. Mach 10-24 x 1/2
8	78-08-A	1	Compression Spring	23	73-121-C	1	Grille Assembly
9	81-74-B ✓	1	Deflector Assy.	24	81-101-A ✓	6	"U" Type Fastener
10	73-416-20	1	Step Bolt 1/4-20 x 1 1/4	25	78-65-A	1	Bushing
11	335-416	4	Nut 1/4-20 Hex.	26	945-616	1	Flatwasher 3/8
12	935-416	4	Lockwasher 1/4 Spring	27	SA-701-B	1	Fan Assembly
13	78-03-C	1	Deflector Weldment	28	*60-516-32	1	Bolt 5/16-24 x 2 Hex. Hd.
14	78-10-A	1	Deflector Latch	29	936-516	1	Lockwasher Int. Tooth 5/16
15	534-7-4-SS	2	Sheet Metal Screw	30	78-05	1	Fan Spacer

\* 28 Torque to 18 to 22 Ft/Lbs.

Order all parts from your nearest PARKER PARTS DISTRIBUTORS. If unable to locate the part from your Parts Distributor, forward your order to PARKER SWEEPER COMPANY for handling.

Hart-Greer, Inc.  
900 N. 24th St.  
BIRMINGHAM, AL 35203

Lawn & Garden Supply Co.  
2222 N. 27th Ave.  
PHOENIX, AZ 85017

Lawn & Garden Supply Co.  
5455 S. Nogales Highway  
TUCSON, AZ 85706

H.V. Carter Company  
1700 E. 14th St.  
OAKLAND, CA 94606

Tarzana Mower & Engine Parts,  
Inc.  
6075 Reseda Blvd.  
RESEDA, CA 91335

Colorado Outdoor Equip., Inc.  
527 W. Evans  
DENVER, CO 80223

Zaun Equipment Co.  
2330 Bruner Ln., S.E.  
FORT MYERS, FL 33908

Zaun Equipment, Inc.  
1741 Hamilton St.  
JACKSONVILLE, FL 32210

Florida Turf & Garden  
7275 N.W. 64th St.  
MIAMI, FL 33166

Zaun Equipment, Inc.,  
1140 S. Rio Grande Ave.  
ORLANDO, FL 32806

Zaun Equipment, Inc.  
3032 44th Ave., N.  
ST. PETERSBURG, FL 33714

Lawn & Turf, Inc.  
Hwy. Interstate 20, East  
CONYERS, GA 30207

Boyd Martin Co.  
4554 Chinden Blvd.  
BOISE, ID 83704

Geo. A. Davis  
5440 Northwest Highway  
CHICAGO, IL 60630

Plante's Lawn Equip., Inc.  
4 Grant St.  
NORTH AURORA, IL 60542

T.E. Booher & Sons  
1009 W. State St.  
ALBANY, IN 47320

Bruce Engine, Inc.  
1791 N.W. 86th St.  
DES MOINES, IA 50322

Morton B. Collins  
300 Birnie Ave.  
SPRINGFIELD, MA 31106

Frost Company  
483 Wildwood St.  
WOBURN, MA 01801

Ideal Mower Sales, Inc.  
811 Woodward Heights  
FERNDALE, MI 48220

Lorenz Service Company  
2500 S. Pennsylvania Ave.  
LANSING, MI 48220

R.L. Gould Company  
3711 N. Lexington Ave.  
ST PAUL, MN 55112

Hance Distributors  
420 Excelsior Ave., W.  
HOPKINS, MN 55343

Gunthers Service & Supply  
7320 Wornall Rd.  
KANSAS CITY, MO 64114

Henzler, Inc.  
2015 Lemay Ferry Rd.  
ST. LOUIS, MO 63125

Port Huron Machinery & Supply  
801 Q St.  
LINCOLN, NE 68508

George Smith & Sons, Inc.  
322 Broadway  
BETHPAGE, L.I., NY 11714

Grasslands Equip. & Irrigation  
892 Troy Schenectady Rd.  
LATHAM, NY 12110

Henry W. O'Neil & Associates,  
Inc.  
410 N. Goodman St.  
ROCHESTER, NY 14609

The Messinger Company, Inc.  
374 Avery St.  
ROCHESTER, NY 14606

American Hdwe. & Equip.  
3940 Greensboro St.  
CHARLOTTE, NC 28206

Hayward Distributing Co.  
460 Neilston St.  
COLUMBUS, OH 43215

Schroeder Sales & Service, Inc.  
1144 Harrison Ave.  
HARRISON, OH 45030

Hershman's, Inc.  
12477 Benner Rd.  
RITTMAN, OH 44270

Parker Sweeper Company  
P.O. Box 1728  
SPRINGFIELD, OH 45501  
Phone: 513-323-4901

M.P.E. Sales, Inc.  
25850 Chardon Rd.  
CLEVELAND, OH 44143

Tri-County Sales & Service  
15 North West Ave.  
YOUNGSTOWN, OH 44502

Wait Sales Company  
406-10 S. Peoria, Box 1015  
TULSA, OK 74120

Baltz & Son Co.  
9817 E. Burnside  
PORTLAND, OR 97216

Monroe Machinery & Supplies,  
Inc.  
1421 S.E. Gidson St.  
PORTLAND, OR 97242

Lawn & Golf Supply Co.  
647 Nutt Rd.  
PHOENIXVILLE, PA 19460

Gardenville Supply Co., Inc.  
Route 611  
PIPERSVILLE, PA 18947

Bluemont Co.  
11125 Frankstown Rd.  
PITTSBURGH, PA 15235

Niemeyer Corp.  
1135 Phoenixville Pike, Box 531  
WEST CHESTER, PA 19380

Fidelity Sales Corp.  
6331 Baum Dr.  
KNOXVILLE, TN 37919

Fidelity Sales Corp.  
447 E. Market St.  
KINGSPORT, TN 37662

Fielity Sales Corp.  
6044 Lee Highway  
CHATTANOOGA, TN 37421

Goldthwaite's of Dallas, Inc.  
2700 Forest Ln., Box 34660  
DALLAS, TX 75234

Goldthwaite's of Ft. Worth  
1401 Foch St.  
FT. WORTH, TX 76107

Goldthwaite's of Houston, Inc.  
220 Fariss  
HOUSTON, TX 77025

Goldthwaite's of Texas, Inc.  
10751 Sentinel  
SAN ANTONIO, TX 78217

Boyd Martin Company  
1260 N.W. Temple  
SALT LAKE CITY, UT 84116

Denver Wholesale Florist Co.  
1211 S. Swanner  
SALT LAKE CITY, UT 94104

Wetsel Seed Co.  
941 N. Liberty  
HARRISONBURG, VA 22801

The Bentley Company  
4126 Airport Way, S.  
SEATTLE, WA 98108

Northwest Mower, Inc.  
926 N. 165th St.  
SEATTLE, WA 98133

Interstate Radiator & Lawn  
Mower Co.  
1611 4th Ave.  
CHARLESTON, WV 25312

R.L. Gould  
344 Berger St.  
GREEN BAY, WI 54302

Four Seasons Equipment, Inc.  
7373 S. 6th St.  
OAK CREEK, WI 53154

Farm & Tiller Sales, Ltd.  
1205 E. Hastings St.  
VANCOUVER, B.C., CANADA  
V6A155

Hoffars Sales, Ltd.  
14251 Burrows Rd.  
RICHMOND, B.C., CANADA  
V6V 1K9

Robertson Seed, Ltd.  
9241-48th St.  
EDMONTON, ALBERTA,  
CANADA T6B 2R9

Morin Equipment, Inc.  
90 Rue D'Anvers  
Parc Industriel  
ST. AUGUSTIN, QUEBEC,  
CANADA G0A 3E0

Morin Equipment, Inc.  
270 Ave. Du  
Parc Industriel  
LONGUEVIL, MONTREAL,  
CANADA J4H 3V6

Uniquip Canada Ltd.  
2813 Botham  
MONTREAL, QUEBEC,  
CANADA H4S 1H8

Duke Lawn Equipment  
1184 Plains Road, East  
BURLINGTON, ONTARIO,  
CANADA L7S 1W6

Uniquip Canada, Ltd.  
6295 Shawson Dr., Unit 8  
MISSISSAUGA, ONTARIO,  
CANADA L5T 1H4