



Electronic Service Manuals

This electronic document is provided as a service to our customers. We do not create the contents of the information contained in this document. Should you have detailed questions pertaining to the information contained in this document, you may contact Michco, or the manufacturer which provided the original information in this electronic deliverable. Michco's only part in this electronic deliverable was the electronic assembly process. By providing this manual on line we are not guaranteeing parts availability.

You may contact Michco through the following methods:

Phone (517) 484-9312 or (800) 331-3339

2011 N. High St. -- Lansing, Michigan -- 48906

Fax: (517) 484-9836

Email: CustServe@Michco.com

Web site: www.Michco.Com

Parts Web site: www.FloorMachineParts.Com

Order Parts on Line at:

www.FloorMachineParts.Com

Directly to Parts & Service:

By Email: **Shop@Michco.com**

By Fax: (517) 702-2041

By Voice: Use numbers above.

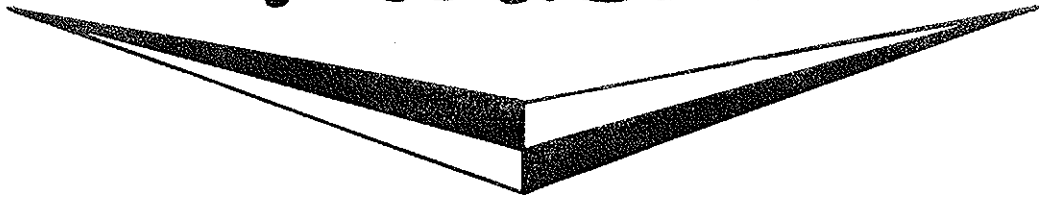
Serving the Cleaning Industry Since 1922

Notice: All copyrighted material remains property of original owners, all trademarks are property of respective owners. Manuals are subject to Manufacturer's reproduction limitations. Originals or reproductions were provided by manufacturers through a request. We make no warranty as to the correctness of information provided in this document and you assume all risk. By placing these manuals on line we are not declaring our corporation to be an manufacturer authorized dealer or provider, please check our web site for authorized manufacturers we represent.

OWNER'S GUIDE

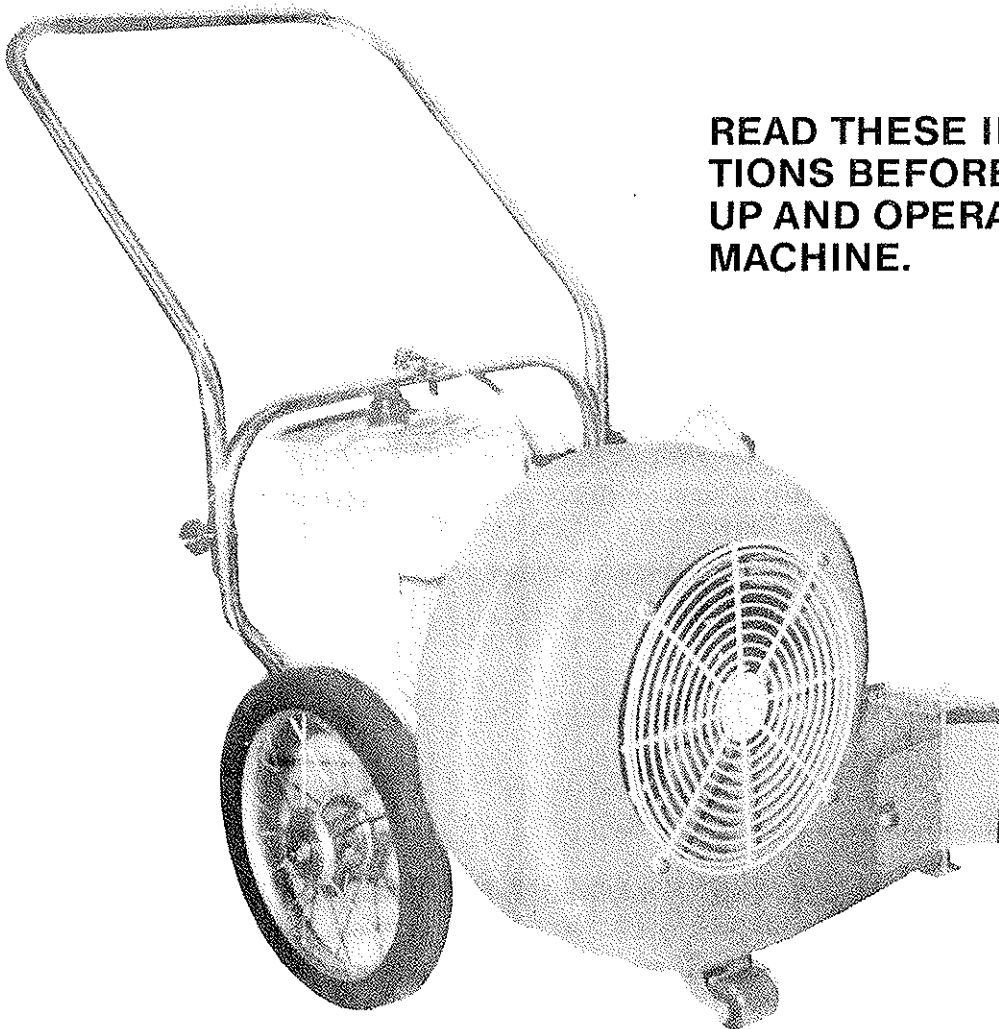


Parker®



hurricane®

MODEL HC-8150-T



READ THESE INSTRUCTIONS BEFORE SETTING UP AND OPERATING MACHINE.

PARKER SWEEPER COMPANY

Box 1728

Springfield, Ohio 45501-1728

Plate No. 1082

TO THE OWNER

These instructions were written to assist you in the assembly and operation of your Hurricane. **READ THE INSTRUCTIONS** thoroughly **BEFORE** attempting to assemble and operate the machine so that you are familiar with the complete procedure and the safety precautions.

RULES FOR SAFE OPERATION



The following safety precautions are suggested to prevent damage to the equipment or injury to the operator or nearby persons.

1. TO PREVENT ACCIDENTAL STARTING ALWAYS REMOVE THE SPARK PLUG before working on the engine or equipment driven by the engine.
2. DO NOT RUN THE ENGINE IN AN ENCLOSED AREA. Exhaust gases contain carbon monoxide which is an odorless and deadly poison.
3. DO NOT FILL GASOLINE TANK WHILE ENGINE IS HOT OR RUNNING. Spilling gasoline on a hot engine may cause a fire or explosion.
4. DO NOT leave machine unattended while running.
5. DO NOT ALLOW machine to blow in direction of people or objects that could be injured by blown materials.
6. AVOID operating machine in dangerous places where steep slopes or loose debris will endanger the safety of operator or other people.

OPERATING INSTRUCTIONS

1. Before starting the engine, read the Operating and Maintenance instruction Manual. Add proper gasoline and oil to correct level.
2. Engine should be "broken in" by running at 1/2 throttle for 30 minutes and full throttle for an additional 30 minutes.
3. Machine will operate effectively by either pushing or pulling.
4. For moving heavy debris such as sticks, cleaning out flower beds, anything heavier than leaves, use the deflector in the down position.
5. For controlled blowing of leaves into windrows and stacking use the deflector in the up position.

IMPORTANT

ALWAYS GIVE THE FOLLOWING INFORMATION WHEN ORDERING REPAIR PARTS:

- | | |
|-------------------------------|---------------------------|
| 1. Part Number (Not Ref. No.) | 3. Description of Part |
| 2. Quantity Needed | 4. Model No. of Hurricane |

If unable to obtain parts locally, write down above information and send to:
PARKER SWEEPER CO., BOX 1728, SPRINGFIELD, OHIO 45501

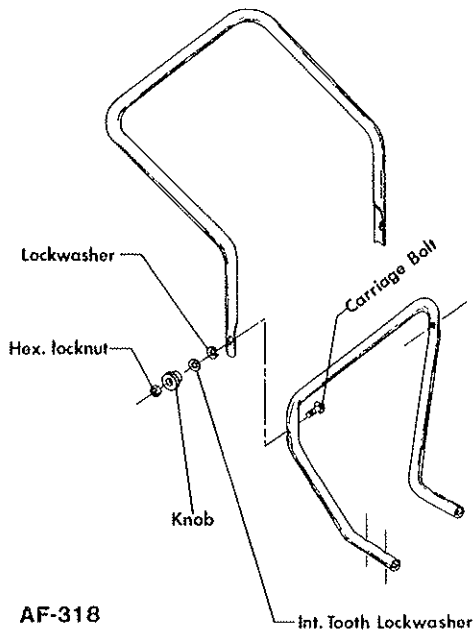
Your unit is right hand (R.H.) or left hand (L.H.) as you stand behind it.

ASSEMBLY & OPERATING INSTRUCTIONS

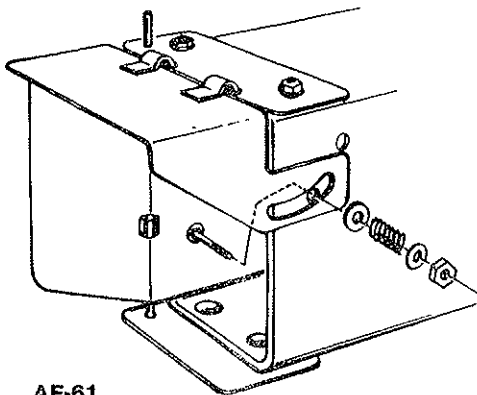
Your hurricane blower is shipped complete in one carton. Remove the contents but *DO NOT* discard the carton or any inserts until after the machine is completely assembled. The right or left of the unit is determined at a position standing at the rear of the unit.

ASSEMBLY

1. To attach upper handle you must remove carriage bolt, lockwasher, knob and hex. nut from lower handle assembly.
2. From inside of lower handle (square slot side), reinsert carriage bolt through lower handle and upper handle.
3. Add split lockwasher, internal tooth lockwasher, plastic knob and screw on hex. lock nut until about 2 to 3 threads are protruding through the nut.
4. Repeat the operation for opposite side. NOTE: Hex. nut should not be tightened all the way down on knob or knob will not be free to turn.



1. The last item to assemble is the exhaust deflector.
2. To do this, insert the step bolt from the inside of the exhaust opening through the slot in the side of the deflector.
3. Now install the flat washer over the bolt, then the spring, the washer and the nut.
4. The tension on the spring can be adjusted by screwing the nut in or out on the bolt.

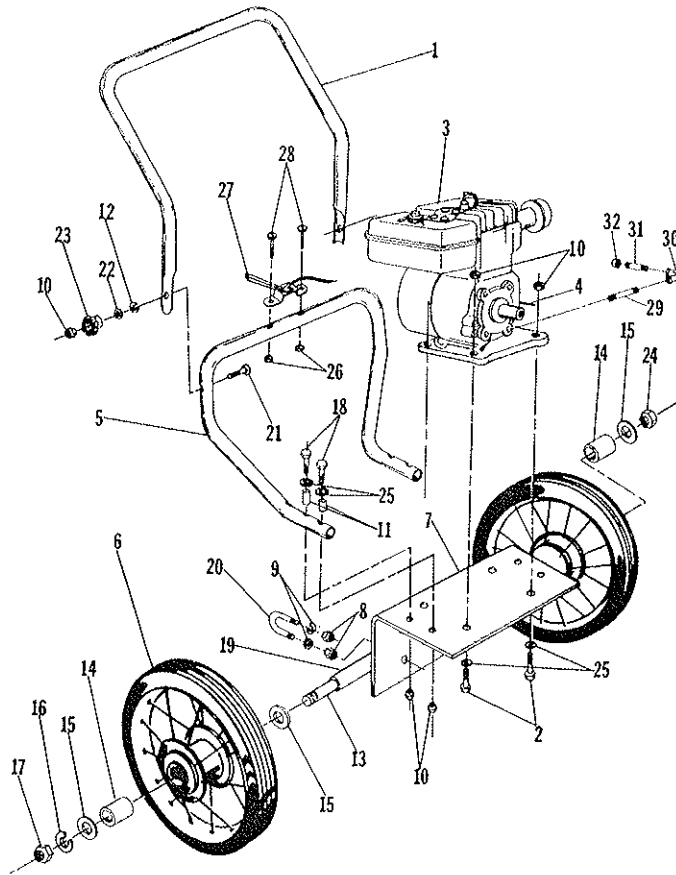


OPERATING

Now that your hurricane is assembled, you are ready to start the engine. Before you start the engine read the engine operator's manual and add the proper amount and grade of gasoline and oil. If you plan to operate this machine in any grassy or bushy area where there is any possibility of *FIRE HAZARD*, you must equip the engine with a *SPARK ARRESTOR*. *IN THE STATE OF CALIFORNIA, IT IS MANDATORY THAT YOU INSTALL A SPARK ARRESTOR*. Spark arrestors are available from your engine manufacturer.

1. To start the engine, pull choke control out to close choke. Move throttle control on engine to the fast position. With a firm grip on the starter rope knob pull the starter rope and the engine should start. When engine starts, push choke control back to open position or engine will die. It is best to operate the engine at about $\frac{1}{2}$ throttle for the first hour or so in order to properly seat the moving parts. *TO STOP THE ENGINE*, push the throttle control lever to its lowest position. This will activate a grounding switch and stop the engine.
2. Your hurricane has been designed to operate with a minimum amount of care and maintenance. However, it is best to check all nuts and bolts from time to time for tightness. The wheel bearings are pre-packed with lubricant and shouldn't require any additional lubrication. The engine oil level should be checked every time that you fill the fuel tank. Refer to engine manual for proper grade and amount of oil.
3. For blowing leaves, debris, water or snow, it is best to run the blower at full throttle and to blow the material down wind. Blowing leaves, snow and other light objects into the wind is self-defeating and all you will do is to stir up the material for it will settle back where it was.
4. To clean a large area, start at the outer perimeter and blow the material toward the center.
5. Since the hurricane blows equally as well whether pushed or pulled you can use it in either direction. However, in many instances it is easier to pull the machine than to push it.
6. If the area to be cleaned is very large or the debris is very dense, it may be best to split the area into small plots and blow the material into several smaller piles rather than into one large one. As the area to be cleaned becomes smaller and the pile of debris becomes larger it is well to reduce the engine speed to prevent blowing the collected debris over the pile and into the area that has already been cleaned.
7. Notice that the blower exhaust opening at the left side of the machine is equipped with two deflectors. The one inside the opening will deflect the exhaust air either to the side or to the front. The deflector on the outside and top of the opening will deflect the air downward toward the surface to be cleaned or straight out away from the blower.

HANDLE AND FRAME ASSEMBLY



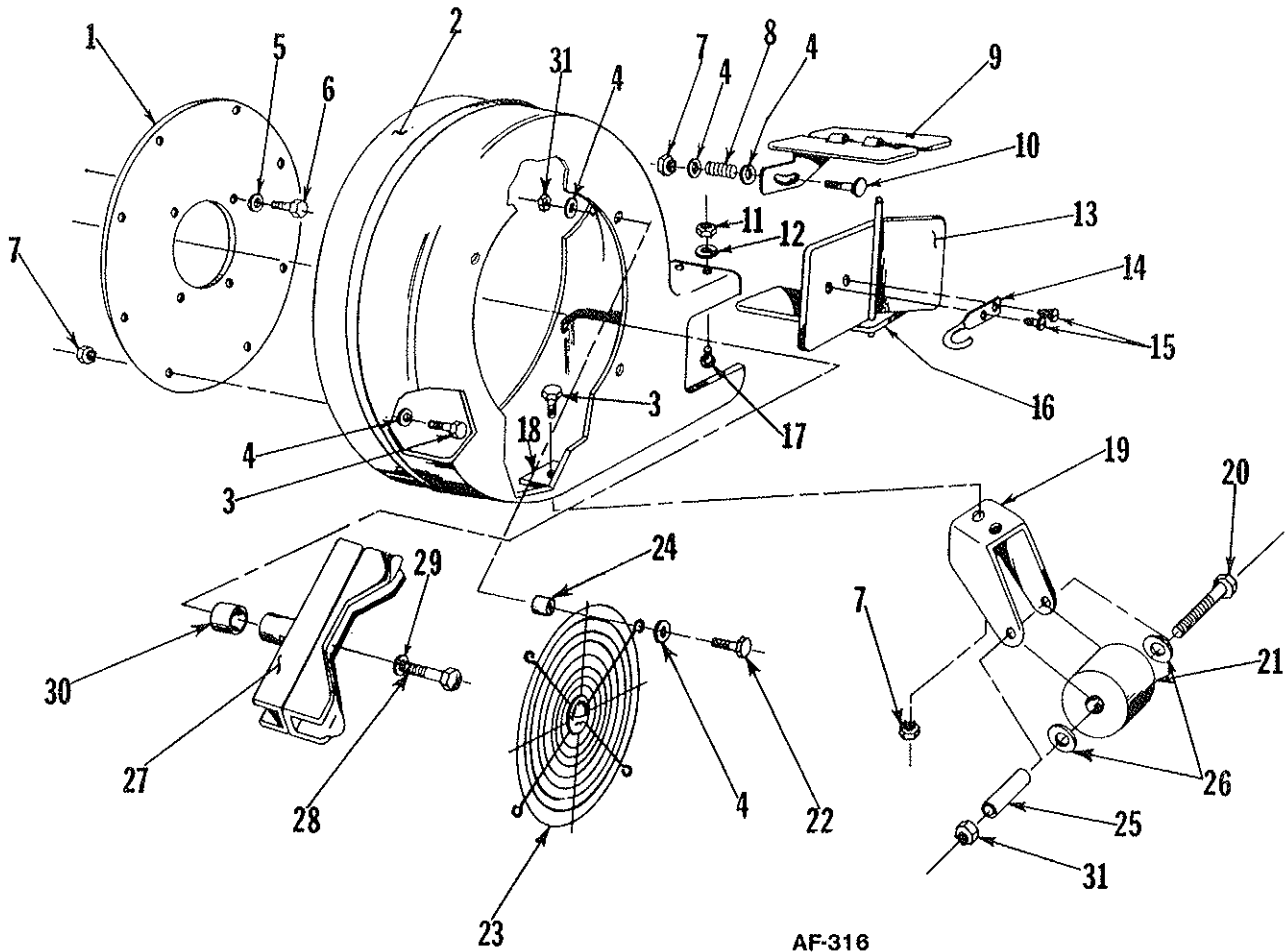
AF-317

PARTS LIST

Ref. No.	Part No.	Qty. Per Unit	Description	Ref. No.	Part No.	Qty. Per Unit	Description
1	80-268-C	1	Upper Handle	17	345-816	1	Nut 1/2-20 Hex. Jam
2	65-516-12	4	Bolt 5/16-18 x 3/4 Hex. Hd.	18	65-516-28	4	Bolt Hex. Hd. 5/16-18 x 1 3/4
3	*83-171-D	1	Engine	19	80-219-A	1	Axle Support
4	61-65-A	1	Engine Key	20	76-177-A	2	U-Bolt
5	83-16-C	1	Lower Handle	21	81-94-A	2	Carriage Bolt 5/16-18 x 2 3/4
6	SA-357-C	2	Wheel Assy.	22	936-516	2	Lockwasher Int. Tooth 5/16
7	80-217-D	1	Engine Base	23	79-94-A	2	Knob
8	335-416	4	Nut 1/4-20 Hex.	24	368-816	1	Nut 1/2-20 Hex. Lock
9	935-416	4	Lockwasher 1/4 Spring	25	945-516	8	Flatwasher 5/16
10	365-516	10	Nut 5/16-18 Hex. Lock	26	365-10	2	Nut Hex. Lock #10-24
11	80-238-A	4	Handle Insert	27	83-25-B-20	1	Throttle Control
12	935-516	2	Lockwasher 5/16 Spring	28	515-10-24	2	Screw Rd. Hd. #10-24 x 1 1/2
13	80-218-A	1	Axle	29	83-187-A	1	Nipple 1/4 x 1 1/4
14	73-33-A	2	Wheel Bushing	30	66-374-A	1	Elbow 1/4 x 90°
15	945-816	4	Washer 1/2 Flat	31	85-34-A	1	Nipple 1/4 x 3
16	935-816	1	Lockwasher 1/2 Spring	32	85-29-A	1	Cap

*Tecumseh Model No. HC-50-65482 N

HOUSING UNIT ASSEMBLY



AF-316

PARTS LIST

Ref. No.	Part No.	Qty. Per Unit	Description	Ref. No.	Part No.	Qty. Per Unit	Description
1	61-02-C	1	Back Plate	16	81-73-A	1	Pivot Plate
2	81-100-D	1	Blower Housing	17	70-416-10	4	Bolt, Carriage 1/4-20 x 5/8
3	65-416-12	10	Bolt, Hex. Hd. 1/4-20 x 3/4	18	81-93-A	1	Plate
4	945-416	18	Flat Washer, 1/4	19	81-92-A	1	Caster Fork
5	935-516	4	Lockwasher, Spring 5/16	20	65-416-44	1	Roller Axle, Bolt Hex. Hd.
6**	60-516-10	4	Bolt, Hex. Hd. 5/16-24 x 5/8	21	78-56-A	1	Roller
7	365-416	11	Nut, Hex. Lock 1/4-20	22	65-416-16	4	Bolt, Hex. Hd. 1/4-20 x 1
8	78-08-A	1	Compression Spring	23	82-121-C	1	Grille
9	81-74-B	1	Deflector Assy.	24	81-120-A	4	Spacer
10	73-416-20	1	Step Bolt, 1/4-20 x 1 1/4	25	78-65-A	1	Bushing
11	335-416	4	Nut, Hex. 1/4-20	26	945-616	2	Flatwasher, 3/8
12	935-416	4	Lockwasher, Spring 1/4	27	SA-701-B	1	Fan Assembly
13	78-03-C	1	Deflector Weldment	28	*60-616-32	1	Bolt, Hex. Hd. 3/8-24 x 2
14	78-10-A	1	Deflector Latch	29	936-616	1	Lockwasher Int. Tooth 3/8
15	534-7-4-SS	2	Sheet Metal Screw	30	78-05-A	1	Fan Spacer
				31	364-416	5	Nut, Hex. Lock Thin 1/4-20

*Torque at 29 to 33 Ft./Lbs.
**6 Torque at 210 to 230 In./Lbs.

Order all parts from your nearest PARKER PARTS DISTRIBUTORS. If unable to locate the part from your Parts Distributor, forward your order to PARKER SWEEPER COMPANY for a quote.

Hart-Greer, Inc.
900 N. 24th St.
BIRMINGHAM, AL 35203

Lawn & Garden Supply Co.
2222 N. 27th Ave.
PHOENIX, AZ 85017

H. V. Carter Company
1700 E. 14th St.
OAKLAND, CA 94606

Tarzana Mower & Engine Parts, Inc.
6075 Reseda Blvd.
RESEDA, CA 91335

Colorado Outdoor Equip., Inc.
527 W. Evans
DENVER, CO 80223

Roberts Supply, Inc.
2698 S. Orange Blossom Trail
ORLANDO, FL 32805

Lawn & Turf, Inc.
2570 Old Covington Hwy.
CONYERS, GA 30207

Small Engine Clinic, Inc.
98019 Kam Hwy.
HONOLULU, HAWAII 96701

Tyner Distributing, Inc.
5437 Kendall St.
BOISE, ID 83706

Plante's Lawn Equipment, Inc.
4 Grant St.
NORTH AURORA, IL 60542

Davis Turf Products, Inc.
435 S. Wheeling Rd.
WHEELING, IL 60090

T. E. Booher & Sons
1009 W. State St.
ALBANY, IN 47320

The Harnack Co.
728 Commercial St.
WATERLOO, IOWA 50701

Mid-East Power Equip. Co., Inc.
185 Lisle Rd.
LEXINGTON, KY 40586

Morton B. Collins
300 Birnie Ave.
SPRINGFIELD, MA 01106

Frost Company
483 Wildwood St.
WOBURN, MA 01801

Frederick Trading Co.
7901 Trading Lane-Box 400
FREDERICK, MD 21701

Adams Equipment, Inc.
8001 Newell St.
SILVER SPRINGS, MD 20910

Power Equipment Distributors, Inc.
340 N. Hubbard
MT CLEMENS, MI 48043

R. L. Gould Company
3711 N. Lexington Ave.
ST. PAUL, MN 55112

Hance Distributors
420 Excelsior Ave., W.
HOPKINS, MN 55343

Gunthers Service & Supply
7320 Wornall Rd.
KANSAS CITY, MO 64114

Henzler, Inc.
2015 Lemay Ferry Rd.
ST. LOUIS, MO 63125

Port Huron Machinery & Supply
801 Q St.
LINCOLN, NE 68508

George Smith & Sons, Inc.
322 Broadway
BETHPAGE, L.I., NY 11714

Grasslands Equip. & Irrigation
892 Troy Schenectady Rd.
LATHAM, NY 12110

Henry W. O'Neill & Associates, Inc.
410 N. Goodman St.
ROCHESTER, NY 14609

The Messinger Company, Inc.
374 Avery St.
ROCHESTER, NY 14606

Smith Hardware Co.
515 N. George St.
GOLDSBORO, NC 27530

Hayward Distributing Co.
460 Neilston St.
COLUMBUS, OH 43215

Schroeder Sales & Service, Inc.
1144 Harrison Ave.
HARRISON, OH 45030

PARKER SWEEPER COMPANY
P.O. Box 1728
SPRINGFIELD, OH 45501
Phone: 513-323-4901

Wait Sales Company
406-10 S. Peoria, Box 1015
TULSA, OK 74120

Baltz & Son Co.
9817 E. Burnside
PORTLAND, OR 97216

Monroe Machinery & Supplies, Inc.
1421 S. E. Gidson St.
PORTLAND, OR 97242

Lawn & Golf Supply Co.
647 Nutt Rd.
PHOENIXVILLE, PA 19460

Gardenville Supply Co., Inc.
Route 611
PIPERSVILLE, PA 18947

Bluement Co.
11125 Frankstown Rd.
PITTSBURGH, PA 15235

Niemeyer Corp.
1135 Phoenixville Pike, Box 1477
WEST CHESTER, PA 19360

Fidelity Sales Corp.
6331 Baum Dr.
KNOXVILLE, TN 37919

Fidelity Sales Corp.
447 E. Market St.
KINGSPORT, TN 37662

Fidelity Sales Corp.
6044 Lee Highway
CHATTANOOGA, TN 37421

Goldthwaite's of Dallas, Inc.
2700 Forest Ln., Box 34660
DALLAS, TX 75234

Goldthwaite's of Ft. Worth
1401 Foch St.
FT. WORTH, TX 76107

Goldthwaite's of Houston, Inc.
220 Farris
HOUSTON, TX 77025

Goldthwaite's of Texas, Inc.
10751 Sentinel
SAN ANTONIO, TX 78217

Boyd Martin Company
1260 N. W. Temple
SALT LAKE CITY, UT 84116

Wetsel Seed Co.
941 N. Liberty
HARRISONBURG, VA 22801

The Bentley Company
4126 Airport Way, S.
SEATTLE, WA 98108

Northwest Mower, Inc.
926 N. 165th St.
SEATTLE, WA 98133

Interstate Radiator &
Lawn Mower Co.
1611 4th Ave.
CHARLESTON, WV 25312

Reinders Brothers, Inc.
13400 Watertown Plank Rd.
ELM GROVE, WI 53122

R. L. Gould
344 Berger St.
GREEN BAY, WI 54302

Van's Supply & Equip. Co., Inc.
2640 S. Ashland Ave.
GREEN BAY, WI 54303

Powertek Equipment
9766 51 Avenue
EDMONTON, ALBERTA,
CANADA T6E 0A6

Shepherd Bros. Equip., Ltd.
19575 North 10 Highway
LANGLEY, B.C.,
CANADA V3A 4R8

Fallis Turf Equip., Ltd.
11951 Forge Place
RICHMOND, B.C.,
CANADA V7A 4V9

G. C. Duke Lawn Equipment
1184 Plains Rd., East
BURLINGTON, ONTARIO,
CANADA L7S 1W6