



## Electronic Service Manuals

This electronic document is provided as a service to our customers. We do not create the contents of the information contained in this document. Should you have detailed questions pertaining to the information contained in this document, you may contact Michco, or the manufacturer which provided the original information in this electronic deliverable. Michco's only part in this electronic deliverable was the electronic assembly process. By providing this manual on line we are not guaranteeing parts availability.

You may contact Michco through the following methods:

Phone (517) 484-9312 or (800) 331-3339

2011 N. High St. -- Lansing, Michigan -- 48906

Fax: (517) 484-9836

Email: [CustServe@Michco.com](mailto:CustServe@Michco.com)

Web site: [www.Michco.Com](http://www.Michco.Com)

Parts Web site: [www.FloorMachineParts.Com](http://www.FloorMachineParts.Com)

Order Parts on Line at:

**[www.FloorMachineParts.Com](http://www.FloorMachineParts.Com)**

Directly to Parts & Service:

By Email: **[Shop@Michco.com](mailto:Shop@Michco.com)**

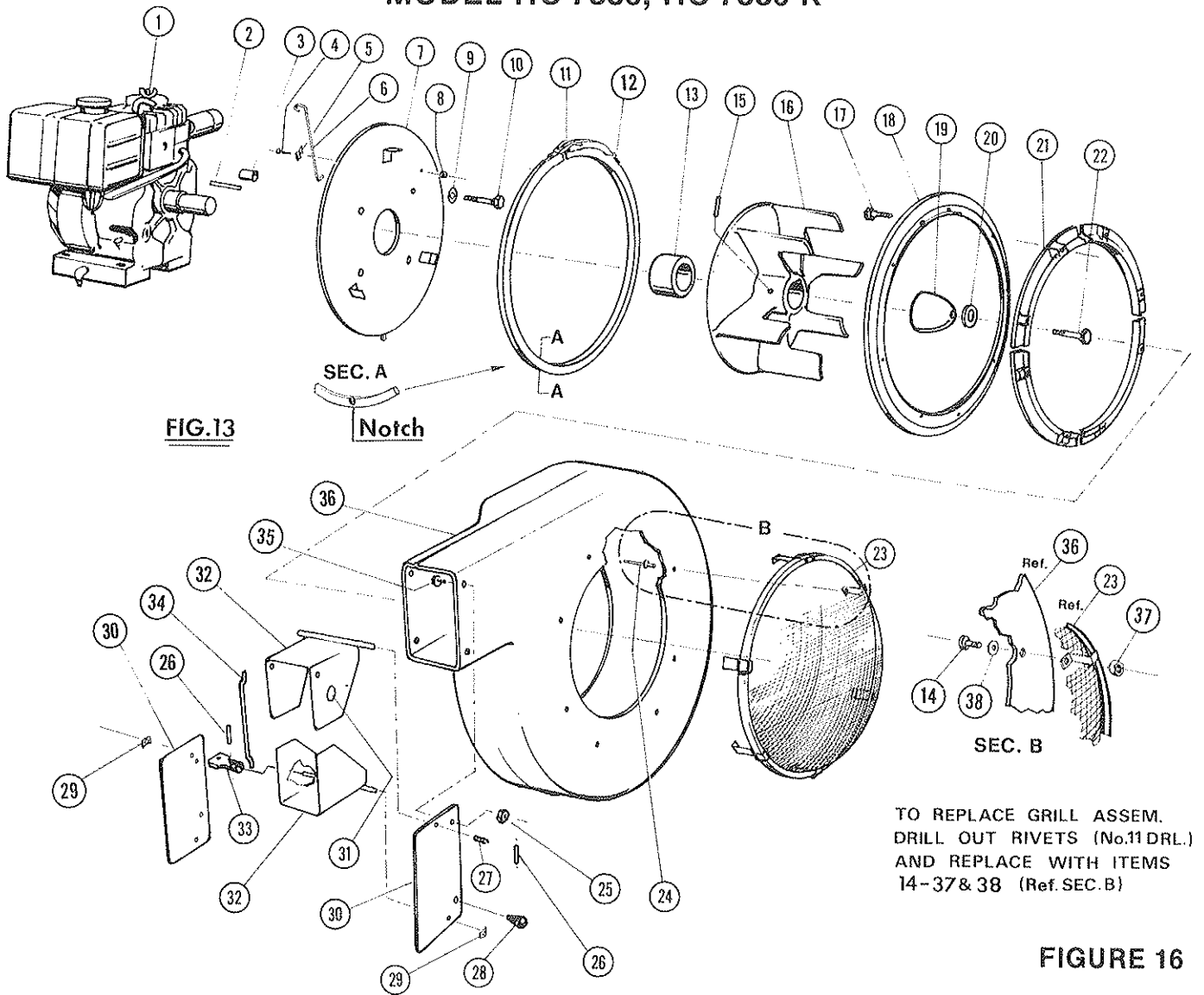
By Fax: (517) 702-2041

By Voice: Use numbers above.

**Serving the Cleaning Industry Since 1922**

Notice: All copyrighted material remains property of original owners, all trademarks are property of respective owners. Manuals are subject to Manufacturer's reproduction limitations. Originals or reproductions were provided by manufacturers through a request. We make no warranty as to the correctness of information provided in this document and you assume all risk. By placing these manuals on line we are not declaring our corporation to be an manufacturer authorized dealer or provider, please check our web site for authorized manufacturers we represent.

# REPAIR PARTS BLOWER ASSEMBLY MODEL HC-7880, HC-7880-K



## PARTS LIST FOR FIGURE 16

Ref. No.	Part No.	Qty. Per Unit	Description of Part	Ref. No.	Part No.	Qty. Per Unit	Description of Part
1	Engine	1	See opposite page	21	73-123-C	4	Anti Wrap
2	63-130-A	1	Key	22	<del>65-39</del>	1	Fan Bolt
3	73-414-A	4	Back Plate Spacer	23	<del>73-121</del>	1	Grille Assembly SA-4-95-B
4	515-8-8	1	Screw #8-32 x 1/2	24	410-6-402	6	Pop Rivet
5	75-115-A	1	Latch Clamp	25	365-416	4	Lock Nut 1/4-20 Hexagon
6	<del>77-08</del>	1	Safety Latch	26	60-62-A	2	Roll Pin 1/8 x 3/4
7	73-375-C	1	Back Plate Weldment	27	73-372-A	1	Spring
8	365-8	1	Nut #8-32 Hexagon	28	75-79-A	1	Knob
9	935-616	4	Lock Washer 3/8"	29	75-80-A	2	Retainer
10	65-616-24	4	Bolt 3/8-16 x 1 1/2	30	<del>73-124-B</del>	2	Exhaust Side Plate
11	<del>73-135</del>	1	Retaining Ring	31	73-406-A	1	Friction Disc
13	73-415-A	1	Fan Spacer B/S	32	73-125-B	2	Exhaust Deflector
14	74-154-A	1	Fan Spacer Kohler	33	73-127-A	1	Control Rod Connector
15	564-C-516-6	1	Set Screw 3/16-18 x 3/8	37	73-126-A	1	Link-Exhaust Deflector
16	73-118-D	1	Fan	39	65-416-12	4	Bolt 1/4-20 x 3/4
17	505-416-20	8	Screw 1/4-20 x 1 1/4 Flat Head	40	<del>73-79</del>	1	Blower Housing SA-1199-C
18	73-122-C	1	Pivot Ring	41	365-10	6	Lock Nut #10-24 Hex.
19	<del>73-110</del>	1	Fan Retainer <del>82-138-B-3, 20-716-16</del>	42	945-10	6	Flat Washer 3/16
20	935-716	1	Lock Washer 3/16	43	<del>515-10-10</del>	6	Screw #10-24 x 3/8

# ROLLER FOR BLOWER GUARD

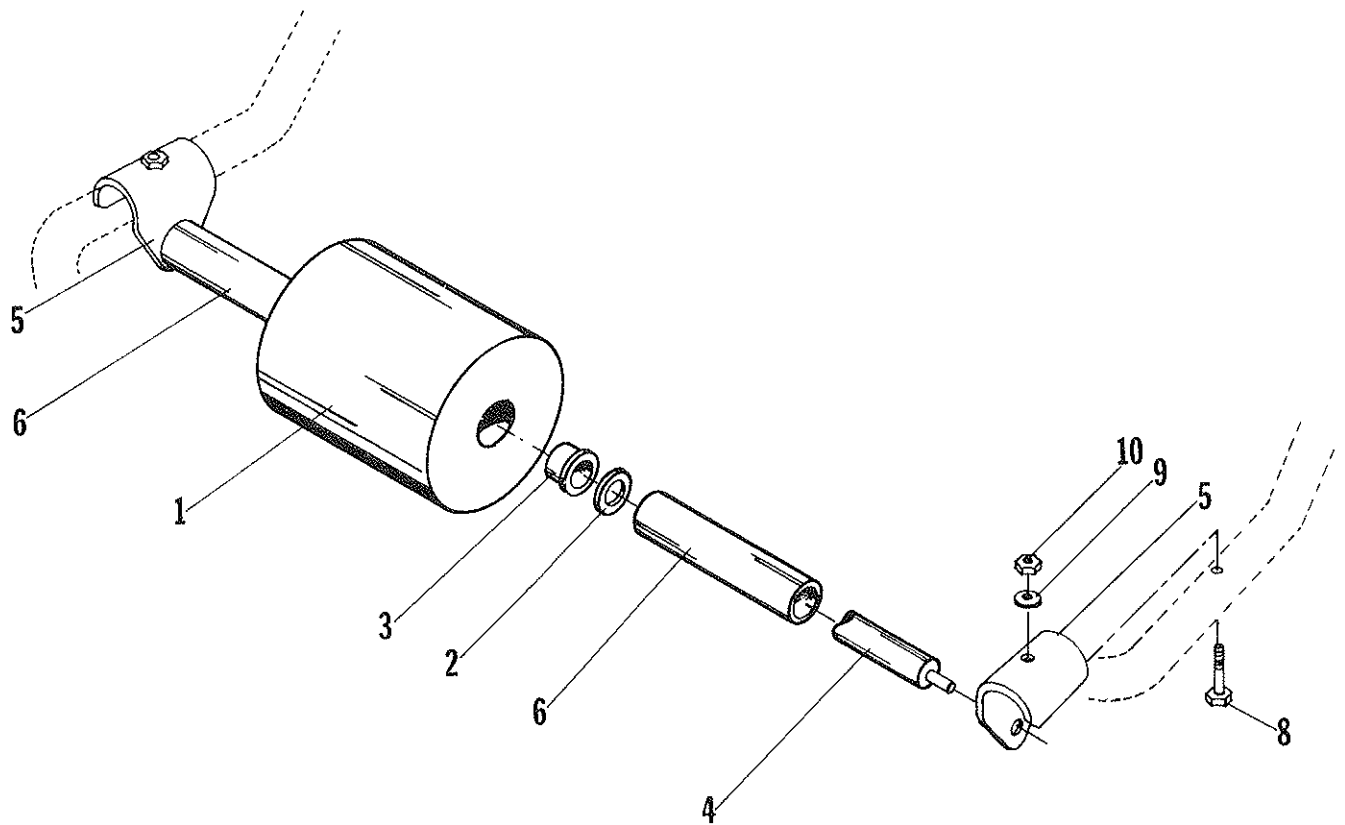
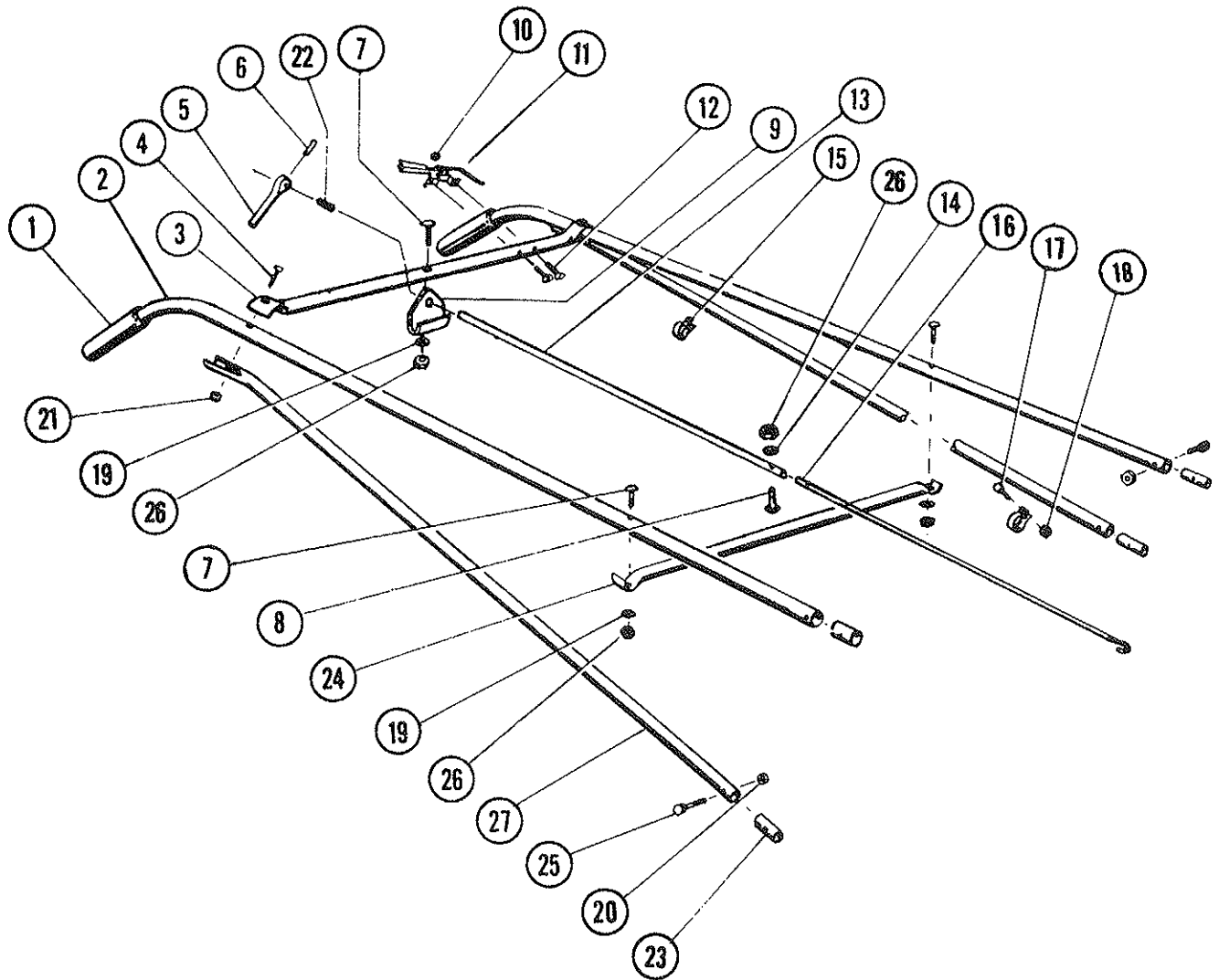


FIGURE 17

## PARTS FOR FIGURE 17

Ref. Part No.	Part No.	Qty. Per Unit	Description of Part	Ref. Part No.	Part No.	Qty. Per Unit	Description of Part
1	<del>66-436-A</del>	1	Roller <i>SA-1390-B</i>	6	78-148-A	2	Spacer
2	55-161-A	2	Washer	8	65-516-20	2	Bolt-Hex Hd. $\frac{5}{16}$ -18 x 1 $\frac{1}{4}$
3	<del>66-432-A</del>	2	Bearing	9	935-516	2	Washer-Spring Lock $\frac{5}{16}$
4	78-147-A	1	Axle	10	365-516	2	Nut-Hex $\frac{5}{16}$ -18
5	74-130-A	2	Bracket				

HANDLE ASSEMBLY



PARTS LIST

Ref. No.	Part No.	Qty. Per Unit	Description of Part	Ref. No.	Part No.	Qty. Per Unit	Description of Part
1	76-67-A	2	Handle Grip	15	76-179-A	2	Clamp Control
2	76-167-B	2	Handle	16	76-31-A	1	Control Rod Weldment
3	76-172-B	1	Cross Bar - Upper	17	515-8-8	2	Screw Rd. Hd. Mach. 8-32 x 1/2
4	65-416-24	2	Bolt Hex Hd. 1/4-20 x 1 1/2	18	365-8	2	Nut - Hex Lock 8-32
5	76-34-A	1	Lever	19	935-416	2	Washer - Spring Lock
6	<del>67-521-A</del>	1	Roll Pin	20	365-516	4	Nut - Hex Lock 5/16-18
7	69-416-24	3	Bolt Cont. Hd. 1/4-20 x 1 1/2	21	365-416	2	Nut - Hex Lock 1/4-20
8	69-416-16	1	Bolt Cont. Hd. 1/4-20 x 1	22	74-135-A	1	Spring
9	76-175-A	1	Bracket	23	76-178-A	4	Insert Ends
10	365-10	2	Nut - Hex Lock 10-24	24	76-173-B	1	Cross Bar Lower
11	<del>62-95-A</del>	1	Throttle Control Assembly <i>83-25-B-55</i>	25	65-516-24	4	Bolt - Hex Hd. 5/16-18 x 1 1/2
12	<del>517-10-18</del>	2	Screw - Oval Hd. 10-24 x 1 1/8	26	335-416	4	Nut - Plain Hex 1/4-20
13	76-235-A	1	Control Rod (Upper)	27	76-169-B	2	Truss Brace
14	936-416	2	Washer - Int. Lock				

# CHASSIS AND ENGINE ASSEMBLY

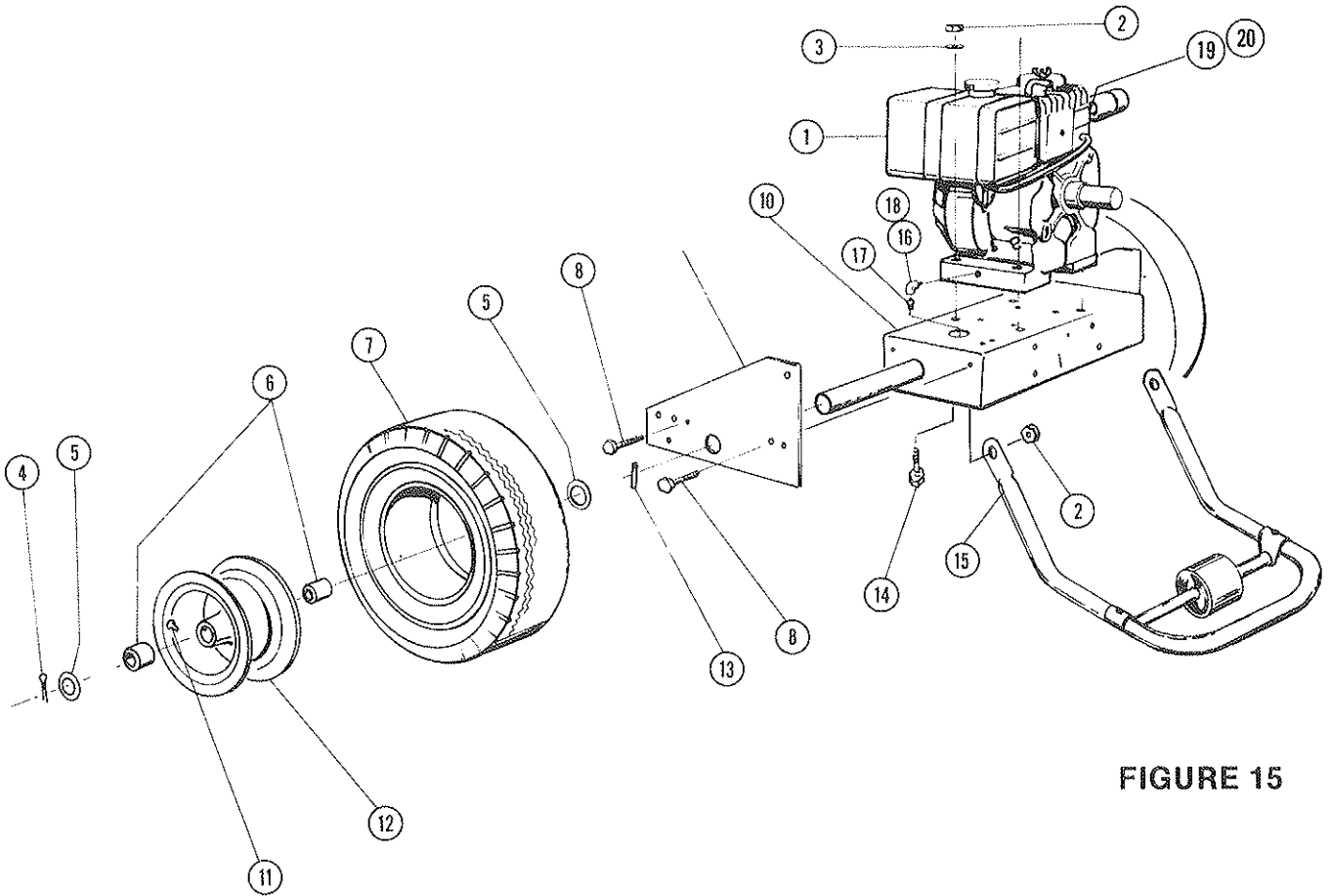


FIGURE 15

**NOTE:** Wheels from Dico Corp. and Geneva Metal Wheel are used interchangeably. This table will enable you to correctly identify the parts you need.

	Dico Whl.	Geneva Whl.
Wheel	63-169-A	68-447-B
Wheel Bore	1 1/8	1 1/8
Bushing	63-313-A	67-03-A

## PARTS LIST FOR FIGURE 15

Ref. No.	Part No.	Qty. Per Unit	Description of Part	Ref. No.	Part No.	Qty. Per Unit	Description of Part
93-102-C-2	73-102-A	1	Engine B/S	11	68-313-A	2	Valve
	65-34-A	1	Kohler Eng.	12	68-447-B	2	Wheel
	365-516	8	Nut-Hex Lock	13	65-521-A	1	Roll Pin
	945-516	4	Washer-Flat	14	65-516-28	4	Bolt Hex Hd. 5/16 x 18 x 1 1/4
	380-432-20	2	Cotter Pin 1/8 dia. x 1 1/4	15	SA-742C-913-C	1	SA-742C Roller Guard Ass'y.
	945-1216	8	Washer Flat	16	73-363-A	1	Elbow --- (Street) B/S Engine
	67-03-A	4	Wheel Bearing 69-222-A	17	Plug	1	Comes with Engine
68-310-B	68-342-A	2	Tires 5.30/4.50 x 6	18	57-81-A	1	Elbow --- (Street) Kohler Engine
	65-516-12	4	Bolt-Hex Hd. 5/16-18 x 1/4	19	60-125-A	1	1 x 45° Blk. St. Elbow
	73-362-C	2	Handle Bracket	20	72-291-A	1	1 x 3 Blk. Pipe Nipple
82-113-C	73-360-C	1	Chassis Weldment				