



## Electronic Service Manuals

This electronic document is provided as a service to our customers. We do not create the contents of the information contained in this document. Should you have detailed questions pertaining to the information contained in this document, you may contact Michco, or the manufacturer which provided the original information in this electronic deliverable. Michco's only part in this electronic deliverable was the electronic assembly process. By providing this manual on line we are not guaranteeing parts availability.

You may contact Michco through the following methods:

Phone (517) 484-9312 or (800) 331-3339

2011 N. High St. -- Lansing, Michigan -- 48906

Fax: (517) 484-9836

Email: [CustServe@Michco.com](mailto:CustServe@Michco.com)

Web site: [www.Michco.Com](http://www.Michco.Com)

Parts Web site: [www.FloorMachineParts.Com](http://www.FloorMachineParts.Com)

Order Parts on Line at:

**[www.FloorMachineParts.Com](http://www.FloorMachineParts.Com)**

Directly to Parts & Service:

By Email: **[Shop@Michco.com](mailto:Shop@Michco.com)**

By Fax: (517) 702-2041

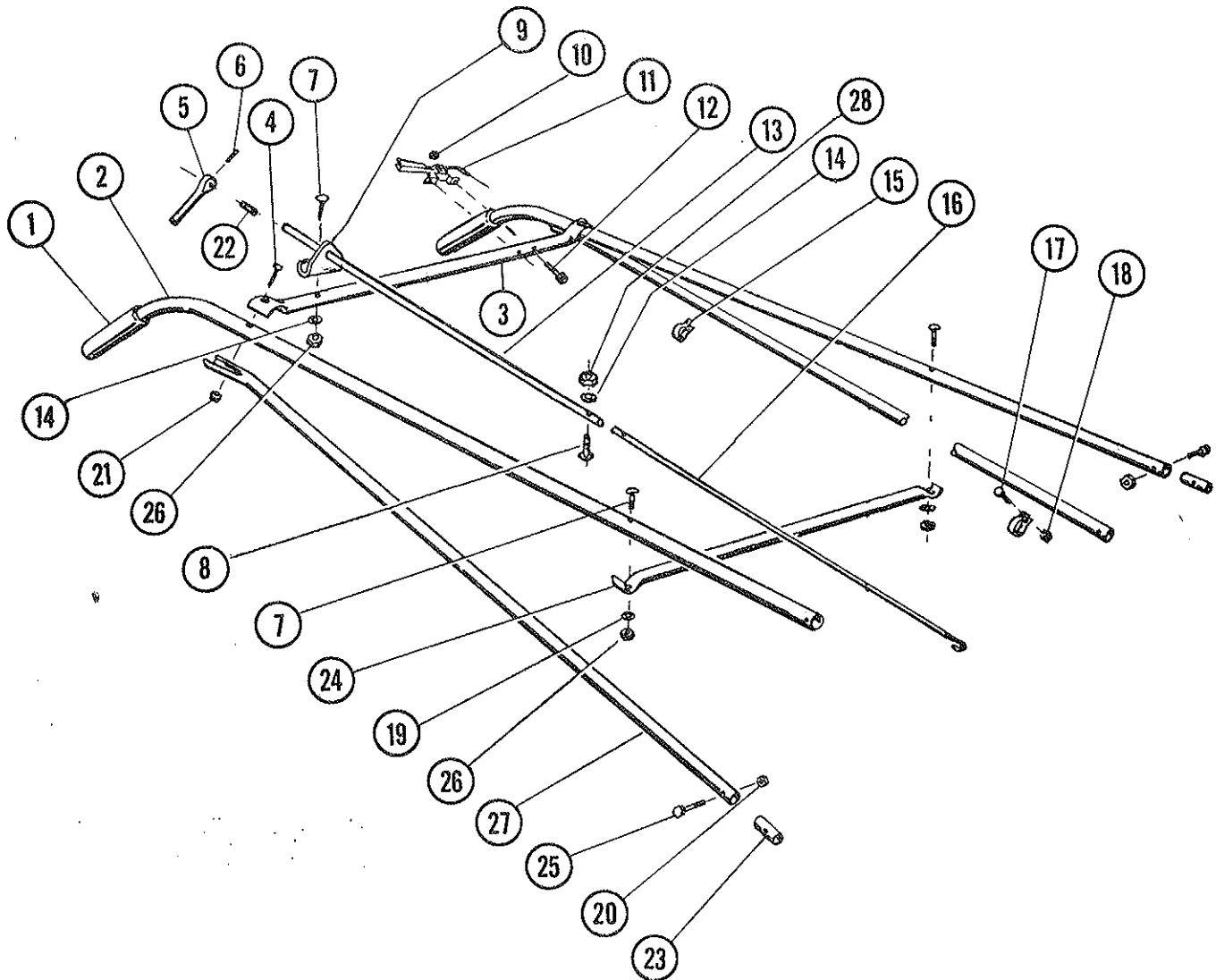
By Voice: Use numbers above.

**Serving the Cleaning Industry Since 1922**

Notice: All copyrighted material remains property of original owners, all trademarks are property of respective owners. Manuals are subject to Manufacturer's reproduction limitations. Originals or reproductions were provided by manufacturers through a request. We make no warranty as to the correctness of information provided in this document and you assume all risk. By placing these manuals on line we are not declaring our corporation to be an manufacturer authorized dealer or provider, please check our web site for authorized manufacturers we represent.

# HURRICANE

## MODEL HC-7780 / MODEL HC-7760



### PARTS LIST

Ref. No.	Part No.	Qty. Per Unit	Description of Part	Ref. No.	Part No.	Qty. Per Unit	Description of Part
1	76-67-A	2	Handle Grip	15	76-179-A	2	Clamp Control
2	76-167-B	2	Handle	16	76-31-A	1	Control Rod Weldment
3	76-172-B	1	Cross Bar - Upper	17	515-8-8	2	Screw Rd. Hd. Mach. 8-32 x 1/2
4	65-416-24	2	Bolt Hex Hd. 1/4-20 x 1 1/2	18	365-8	2	Nut-Hex Lock 8-32
5	76-34-A	1	Lever	19	935-416	2	Washer-Spring Lock
6	67-521-A	1	Roll Pin	20	365-516	4	Nut-Hex Lock 5/16-18
7	69-416-24	3	Bolt Cont. Hd. 1/4-20 x 1 1/2	21	365-416	2	Nut-Hex Lock 1/4-20
8	69-416-16	1	Bolt Cont. Hd. 1/4-20 x 1	22	74-135-A	1	Spring
9	76-175-A	1	Bracket	23	76-178-A	4	Insert Ends
10	365-10	2	Nut-Hex Lock 10-24	24	76-173-B	1	Cross Bar Lower
11	62-95-A-83-25-18-5	1	Throttle Control Assembly	25	65-516-24	4	Bolt-Hex Hd. 5/16-18 x 1 1/2
12	517-10-18	2	Screw-Oval Hd. 10-24 x 1 1/8	26	335-416	3	Nut-Plain Hex 1/4-20
13	76-235-A	1	Control Rod (Upper)	27	76-169-B	2	Truss Brace
14	936-416	2	Washer - Int. Lock	28	335-416	1	Nut-Hex Plain

# CHASSIS AND ENGINE ASSEMBLY

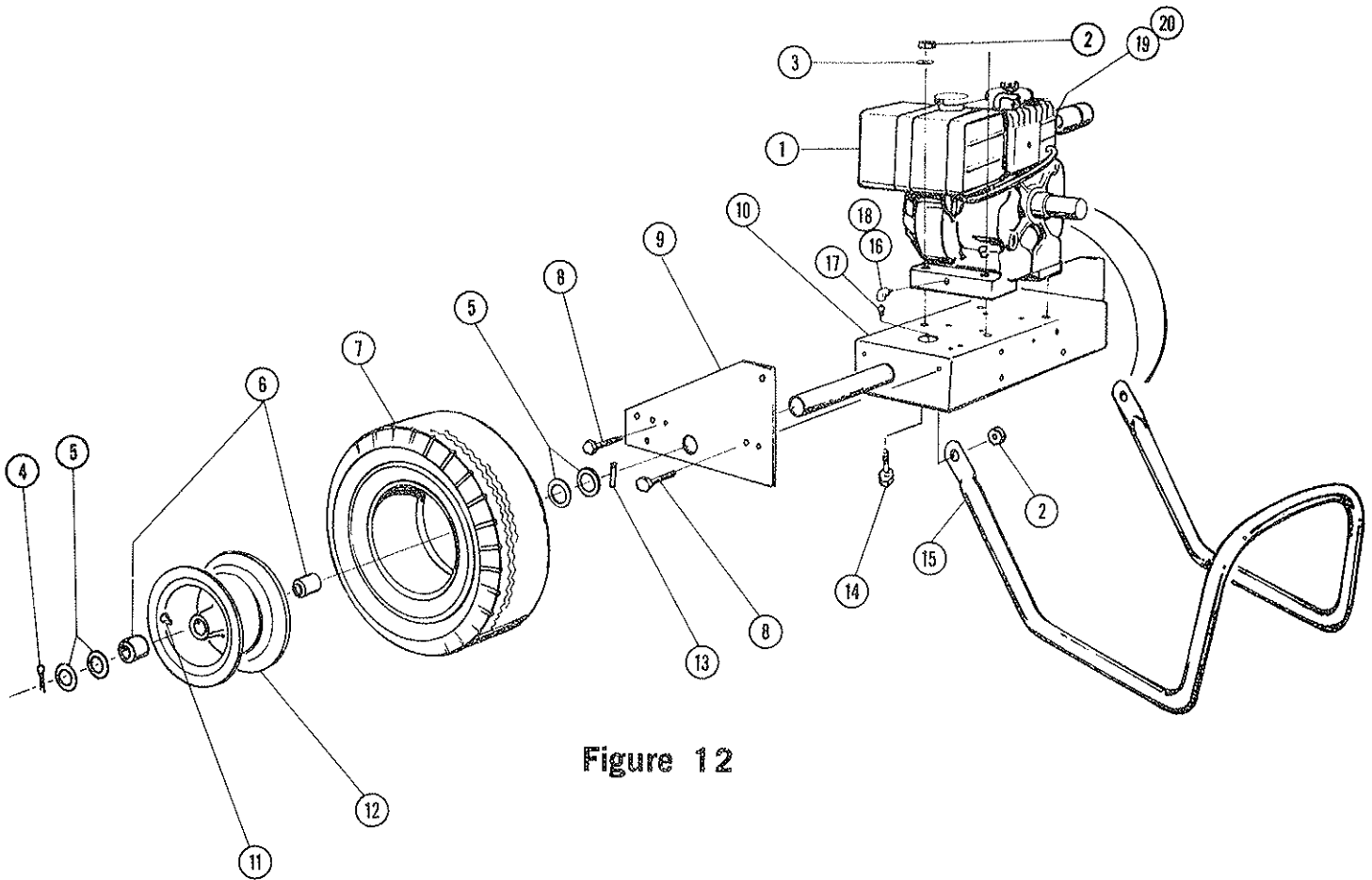


Figure 12

**NOTE**

Wheels from Dico Corp. and Geneva Metal Wheel are used interchangeably. This table will enable you to correctly identify the parts you need.

	Dico Whl.	Geneva Whl.
Wheel	<del>US 63-169-A</del>	68-447-B
Wheel Bore	1 <sup>1</sup> / <sub>8</sub>	1 <sup>3</sup> / <sub>8</sub>
Bushing	63-313-A	<del>67-03-A</del>

69-222-A

## PARTS LIST

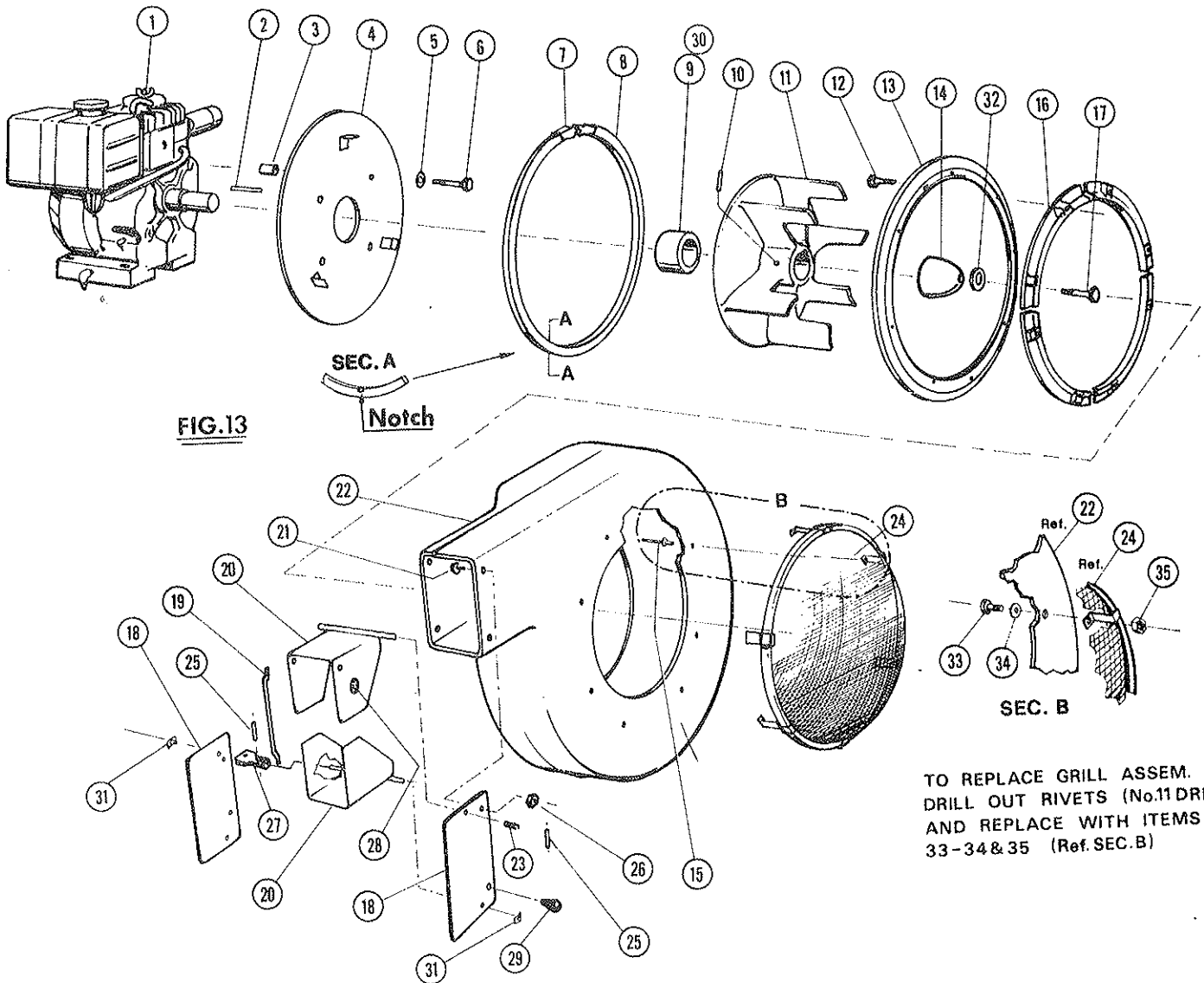
Ref. No.	Part No.	Qty. Per Unit	Description of Part
1	<del>73-102-A</del>	1	Engine B/S <i>73-102-C-2</i>
	<del>65-34-A</del>	1	Kohler Eng.
2	365-516	8	Nut-Hex Lock
3	945-516	4	Washer-Flat
4	380-432-20	2	Cotter Pin <sup>1</sup> / <sub>8</sub> dia. x 1 <sup>1</sup> / <sub>4</sub>
5	945-1216	2	Washer Flat
6	<del>67-03-A</del>	4	Wheel Bearing <i>69-222-A</i>
7	<del>68-312-A</del>	2	Tires 5.30/4.50 x 6 <i>68-310-B</i>
8	65-516-12	4	Bolt-Hex Hd. <sup>5</sup> / <sub>16</sub> -18 x <sup>3</sup> / <sub>4</sub>
9	73-362-C	2	Handle Bracket
10	<del>73-360-C</del>	1	Chassis Weldment

*82-113-C*

Ref. No.	Part No.	Qty. Per Unit	Description of Part
11	68-313-A	2	Valve
12	68-447-B	2	Wheel
13	<del>65-521-A</del>	1	Roll Pin
14	65-516-28	4	Bolt Hex Hd. <sup>5</sup> / <sub>16</sub> x18x1 <sup>3</sup> / <sub>4</sub>
15	<del>73-114-C</del>	1	Blower Guard <i>80-338-C</i> <i>74-126-B</i>
16	73-363-A	1	Elbow - (Street) B/S Engine
17		1	Comes with Engine
18	57-81-A	1	Elbow - (Street) Kohler Engine
19	<del>69-125-A</del>	1	1 x 45° Blk. St. Elbow
20	72-291-A	1	1 x 3 Blk. Pipe Nipple

# BLOWER ASSEMBLY

HC-7780/HC-7760



## PARTS LIST

Ref. No.	Part No.	Qty. Per Unit	Description of Part	Ref. No.	Part No.	Qty. Per Unit	Description of Part
1	Engine		See Fig. 12.	19	73-126-A	1	Link-Exhaust Def.
2	63-130-A	1	Key	20	73-125-B	2	Exhaust Deft. Weld.
3	73-414-A	4	Spacer-Back Plate	21	65-416-12	4	Bolt-Hex. Hd. 1/4-20 x 3/4
4	73-375-C	1	Back Plate Weldment	22	<del>73-79-F</del>	1	Blower Housing <i>SA-1199-C</i>
5	935-616	5	Washer-Spring Lock 3/8	23	73-372-A	1	Spring
6	65-616-24	4	Bolt-Hex Hd. 3/8-16 x 1 1/2	24	<del>73-121-C</del>	1	Grill Assembly <i>SA-1095-B</i>
7	<del>73-377-A</del>	1	Latch-Retaining Ring	25	60-62-A	2	Roll Pin 1/8 dia. x 3/4
8	<del>73-135-C</del>	1	Retaining Ring	26	365-416	4	Nut-Hex Lock 1/4 x 20
9	73-415-A	1	Spacer-Fan B/S Engine	27	73-127-A	1	Connector-Control Rod
10	564-C-516-6	1	Screw-Set 5/16-18 x 3/8	28	73-406-A	1	Friction Disc.
11	73-118-D	1	Fan	29	75-79-A	1	Knob
12	505-416-20	8	Screw-Flat Hd. 1/4-20 x 1 1/4	30	74-154-A	1	Spacer-Fan - Kohler Eng.
13	73-122-C	1	Pivot Ring	31	75-80-A	2	Shaft-Retainer
14	<del>73-119-A</del>	1	Retainer Fan <i>82-138-B-3 660-716-16</i>	32	935-716	1	Washer-Spring Lock
15	410-6-402	6	Pop Rivet	33	<del>515-10-10</del>	6	Screw Rd. Hd. 10-24 x 5/8
16	73-123-C	4	Anti-Wrap	34	945-10	6	Washer Flat
17	<del>65-39-A</del>	1	Bolt-Fan <i>60-716-16</i>	35	365-10	6	Nut Hex Lock 10-24
18	<del>73-124-B</del>	2	Exhaust Side Plate				

