



## Electronic Service Manuals

This electronic document is provided as a service to our customers. We do not create the contents of the information contained in this document. Should you have detailed questions pertaining to the information contained in this document, you may contact Michco, or the manufacturer which provided the original information in this electronic deliverable. Michco's only part in this electronic deliverable was the electronic assembly process. By providing this manual on line we are not guaranteeing parts availability.

You may contact Michco through the following methods:

Phone (517) 484-9312 or (800) 331-3339

2011 N. High St. -- Lansing, Michigan -- 48906

Fax: (517) 484-9836

Email: [CustServe@Michco.com](mailto:CustServe@Michco.com)

Web site: [www.Michco.Com](http://www.Michco.Com)

Parts Web site: [www.FloorMachineParts.Com](http://www.FloorMachineParts.Com)

Order Parts on Line at:

**[www.FloorMachineParts.Com](http://www.FloorMachineParts.Com)**

Directly to Parts & Service:

By Email: **[Shop@Michco.com](mailto:Shop@Michco.com)**

By Fax: (517) 702-2041

By Voice: Use numbers above.

**Serving the Cleaning Industry Since 1922**

Notice: All copyrighted material remains property of original owners, all trademarks are property of respective owners. Manuals are subject to Manufacturer's reproduction limitations. Originals or reproductions were provided by manufacturers through a request. We make no warranty as to the correctness of information provided in this document and you assume all risk. By placing these manuals on line we are not declaring our corporation to be an manufacturer authorized dealer or provider, please check our web site for authorized manufacturers we represent.

HURRICANE BLOWER	MODEL No. HC-7080-SP	PRODUCTION YEAR 1970
------------------	-------------------------	-------------------------

**HANDLE AND FRAME ASSEMBLY  
HC-7080-SP**

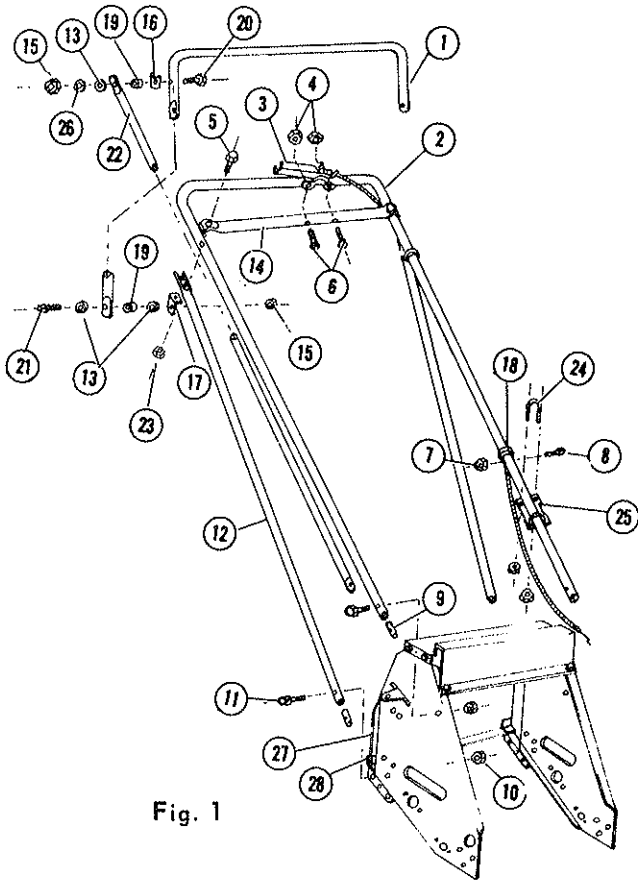
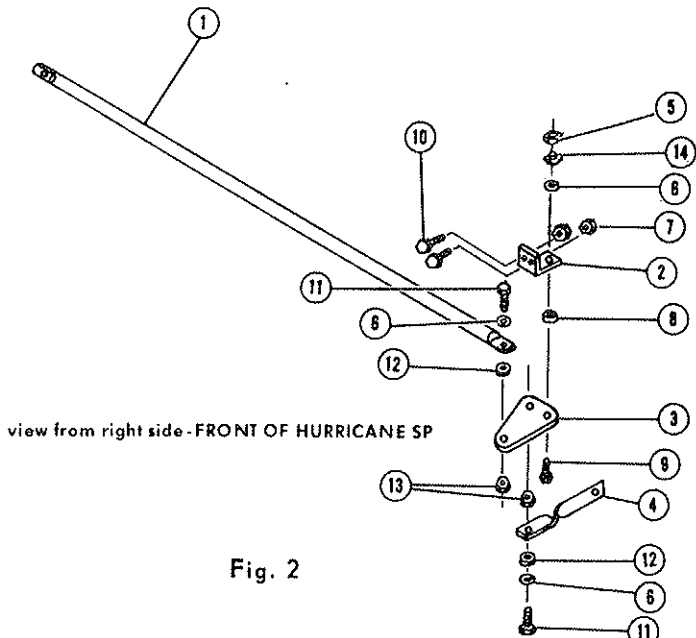


Fig. 1

Ref. No.	Part No.	Qty. Per Unit	Description
1	68-373-C	1	Control Handle
2	69-215-D	1	Handle
3	68-393-A	1	Control Throttle Assembly 83-25-B-65
4	365-10	2	Nut-Hex Lock 10-24
5	65-416-24	2	Bolt-Bolt Hd. 1/4-20 x 1 1/2
6	517-10-16	2	Screw-Oval Hd. Mach. 10-24 x 1
7	365-8	2	Nut-Hex Lock 8-32
8	515-8-8	2	Screw-R.H. Mach. 8-32 x 1/2
9	61-13-A	4	Insert-Handle End 75-30-4
10	365-516	11	Nut-Hex Lock 5/16-18
11	65-516-24	4	Bolt-Hex Hd. 5/16-18 x 1 1/2
12	69-214-B	2	Brace -Handle
13	945-516	4	Washer-Flat S.A.E. 5/16
14	61-12-B	1	Upper Cross Bar
15	335-516	1	Nut-Hex 5/16-18
16	59-77-A	1	Clamp-Tube
17	68-369-A	2	Bracket-Handle Control
18	68-101-A	2	Cable Clamp
19	59-29-A	3	Spacer
20	69-516-28	1	Screw-Curved Hd. 5/16-18 x 1 3/4
21	65-516-16	2	Bolt-Hex Hd. 5/16-18 x 1
22	69-215-A	1	Control-Rod Clutch
23	365-416	2	Nut-Hex Lock 1/4-20
24	69-217-A	2	"U" Bolt 5/16-18-3/4
25	69-162-B	1	Brake-Lock Plate
26	936-516	1	Washer-Int. Tooth Lock
27	69-188-C	1	Rear Panel
28	69-202-C	1	Rear Panel Extension Weld.

**CLUTCH OPERATING LEVERS**



view from right side - FRONT OF HURRICANE SP

Fig. 2

Ref. No.	Part No.	Qty. Per Unit	Description
1	69-215-A	1	Control Rod
2	68-345-A	1	Bracket
3	68-319-B	1	Shift Arm
4	68-340-B	1	Arm-Cam Shifter
5	364-516	1	Hex-Lock Nut Thin 5/16-18
6	945-516	3	Washer
7	365-416	2	Hex-Lock Nut 1/4-20
8	54-227-A	1	Spacer
9	65-516-12	1	Hex. Hd. Bolt 5/16-18 x 3/4
10	65-416-12	2	Hex. Hd. Bolt 1/4-20 x 3/4
11	65-516-16	2	Hex. Hd. Bolt 5/16-18 x 1
12	59-29-A	2	Spacer
13	365-516	2	Hex. Lock Nut 5/16-18
14	69-165-A	1	Cupped Spring Washer

# SELF PROPELLED DRIVE ASSEMBLY HC-7080-SP

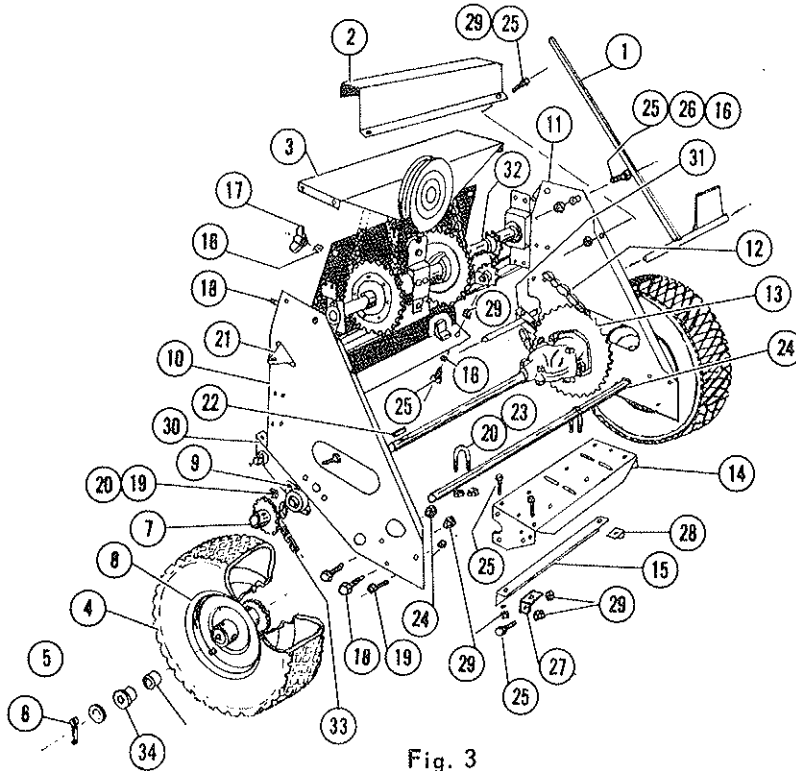
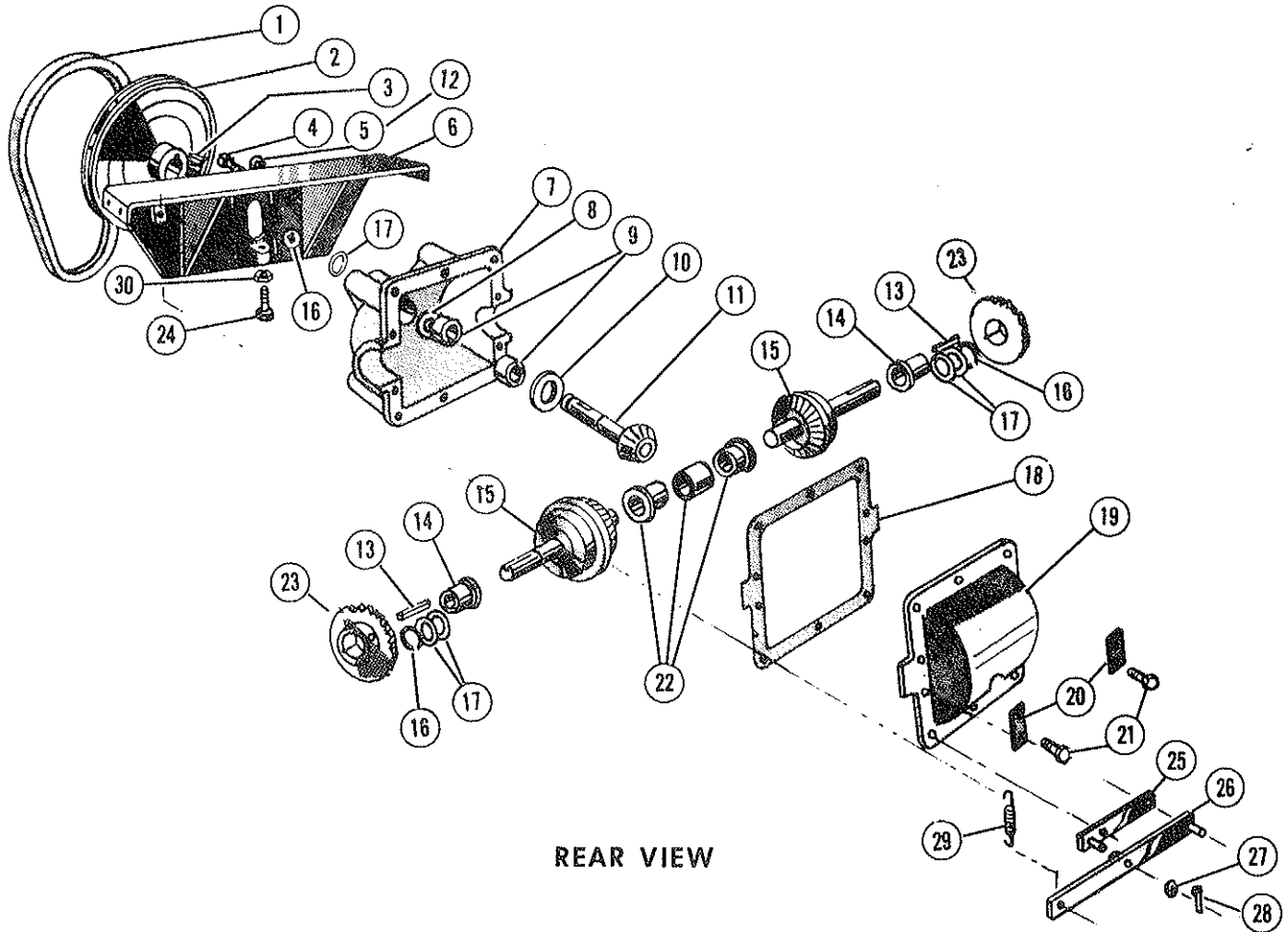


Fig. 3

Ref. No.	Part No.	Qty. Per Unit	Description
1	<del>SA-264-C</del>	1	Brake Assembly
2	<del>69-177-B</del>	1	Sheave Guard
3	<del>SA-269-C</del>	1	Gear Box Assembly
4	68-312-A	2	Tire
5	945-1216	2	Washer-Flat-3/4 I.D.
6	380-432-20	2	Cotter Pin 1/8 x 1 1/4
7	<del>69-139-B</del>	2	Sprocket
8	<del>69-157-C</del>	2	Wheel Weldment
9	66-41-A	2	Bearing-Sealmaster
10	<del>69-207-C</del>	1	Side Plate Weld. R.H.
11	<del>69-208-C</del>	1	Side Plate Weld. L.H.
12	<del>68-365-A</del>	1	Chain #41
13	<del>SA-273-D</del>	1	Differential Assembly
14	<del>65-35-E</del>	1	Bracket-Engine Mount <i>71-98-D</i>
15	<del>66-440-B</del>	1	Support Angle
16	945-416	20	Washer-Flat-1/4 I.D.
17	353-416-20	2	Wing Nut-1/4-20 x 1 1/4
18	65-416-12	2	Bolt-Hex Hd. 1/4-20 x 3/4
19	65-516-12	2	Bolt-Hex Hd. 5/16-18 x 3/4
20	365-516	6	Nut-Hex Lock 5/16-18
21	<del>6A-274-E</del>	1	Clutch Control Linkage Assembly
22	48-277-A	2	Key-Sq. 3/16 x 3/16 x 1
23	<del>69-217-A</del>	2	"U" Bolt-5/16-18 Thd.
24	<del>69-128-A</del>	1	Axle-Rear
25	65-416-10	18	Bolt-Hex Hd. 1/4-20 x 5/8
26	364-416	8	Nut-Hex Lock 1/4-20
27	<del>65-36-RA</del>	1	Brace-R.H.
28	<del>65-37-LA</del>	1	Brace-L.H.
29	365-416	10	Nut-Hex Lock 1/4-20
30	<del>68-288-C</del>	1	Brake-Brkt. R.H.
31	<del>68-290-C</del>	1	Brake-Brkt. L.H.
32	See Fig. 10		
33	<del>69-138-A</del>	2	Chain #40
34	68-216-A	4	Bearing-Flanged
35	69-205-A	4	Bearing

HURRICANE BLOWER	MODEL No. HC-7080-SP	PRODUCTION YEAR 1970
------------------	-------------------------	-------------------------

**GEAR BOX AND BRACKET ASSEMBLY  
HC-7080-SP**

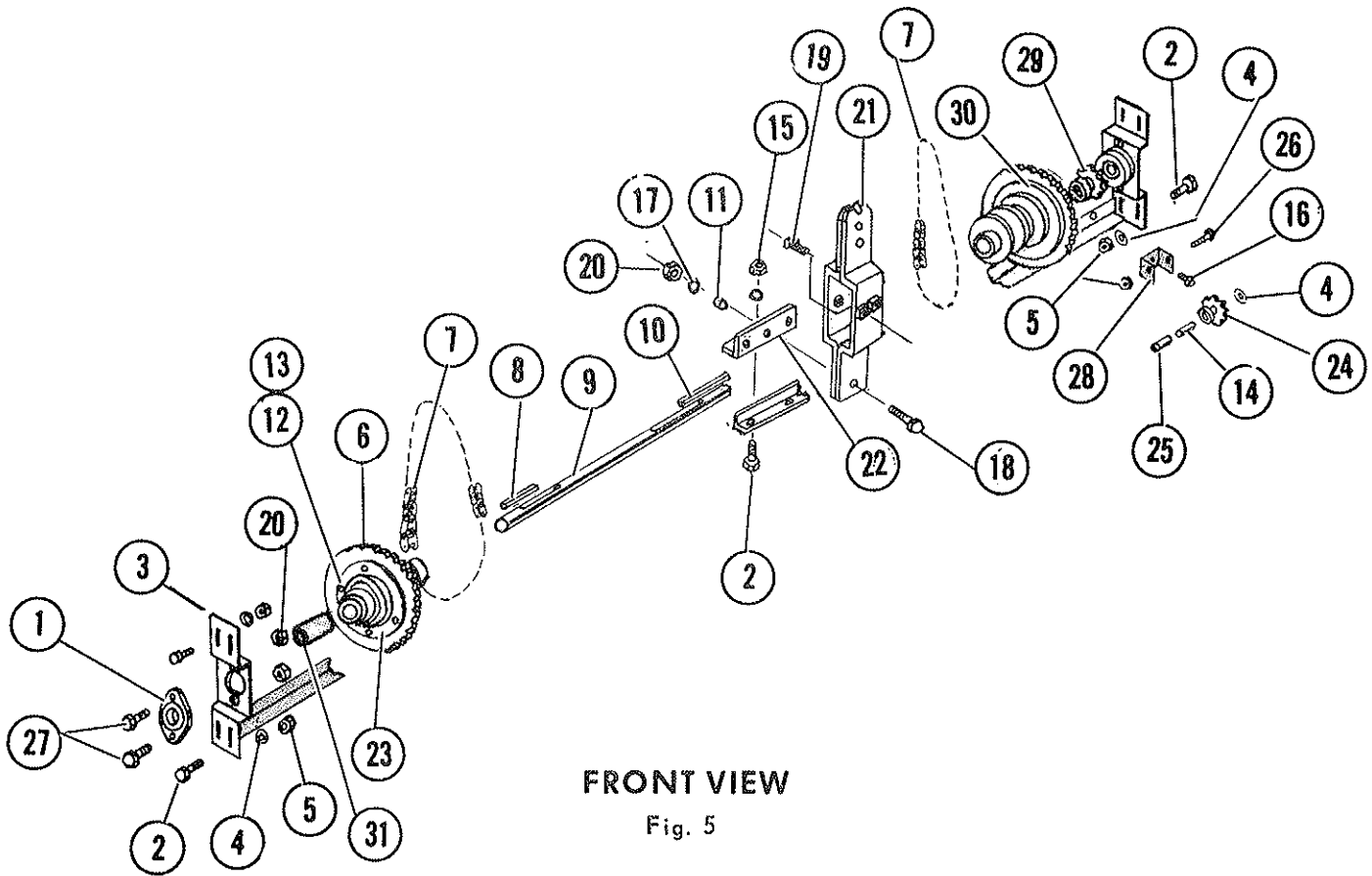


REAR VIEW

Fig. 4

Ref. No.	Part No.	Qty. Per Unit	Description	Ref. No.	Part No.	Qty. Per Unit	Description
1	69-96-A	1	Belt - Drive	17	68-427-A	5	Washer - Thrust (between sh. & snap ring)
2	68-360-A	1	Sheave - Drive	18	68-417-B	1	Gasket - Gear Box
3	280-9	1	Woodruf Key No. 9	19	68-416-C	1	Cover - Gear Box
4	65-516-12	4	Bolt - Hex. Hd. 5/16 - 18 x 3/4	20	68-431-A	2	Plate - Reinforcing
5	935-516	4	Washer - Spring Lock	21	68-425-A	10	Screw 1/4 - 20 x 5/8 Self Tap
6	68-331-C	1	Bracket - Gear Box	22	SA-223-A	1	Bearing Assembly
7	68-415-C	1	Gear Housing	23	69-127-B	2	Sprockets
8	68-426-A	1	Seal - Grease	24	72-516-28	1	Tap Bolt, 5/16 - 18 x 1 3/4
9	68-430-A	2	Bearing - Needle	25	68-287-A	1	Pivot Plate Weldment
10	68-429-A	1	Bearing - Thrust Brz.	26	68-344-B	1	Pivot Arm Weldment
11	SA-222-A	1	Pinion Shaft Assembly	27	945-416	1	Washer Flat, 1/4
12	945-516	4	Washer - Flat	28	380-232-B	1	Cotter Pin 1/16 Dia. x 1/2
13	68-277-A	2	Square Key	29	68-299-A	1	Spring
14	68-424-A	2	Bearing	30	340-516	1	Nut - Hex. Jam 5/16 - 18
15	SA-221-B	2	Output Shaft Assembly				
16	68-428-A	3	Retaining Ring				

# JACKSHAFT AND CLUTCH ASSEMBLY HC - 7080 - SP



**FRONT VIEW**

Fig. 5

Ref. No.	Part No.	Qty. Per Unit	Description
1	66-41-A	2	Sealmaster Brg.
2	65-416-10	10	Bolt-Hex Hd. 1/4-20 x 5/8
3	<del>68-315-C</del>	1	Jackshaft Brkt. Weldment
4	945-416	15	Washer-Plain
5	364-416	11	Nut-Hex. Lock 1/4-20
6	69-129-B	2	Sprocket
7	<del>69-132-A</del>	2	Chain #35
8	68-298-A	1	Key-Square
9	<del>68-362-B</del>	1	Jackshaft
10	<del>68-364-A</del>	1	Key-Square
11	54-227-A	1	Spacer
12	524-416-10	8	Screw-Soc. Hd. 1/4-20 x 5/8
13	<del>947-416</del>	8	Washer-Spring Lock
14	<del>68-323-A</del>	1	Spacer
15	364-416	2	Nut-Hex Lock 1/4-20
16	65-416-16	2	Bolt-Hex Hd. 1/4-20 x 1
17	945-516	1	Washer-Flat
18	65-516-16	1	Bolt-Hex Hd. 5/16-18 x 1
19	<del>560-616-12</del>	4	Sq. Hd. Set Screw
20	365-516	5	Nut-Hex Lock 5/16-18
21	<del>69-200-C</del>	2	Shifter Plate-Clutch Weld.
22	<del>68-342-B</del>	1	Lower Clutch Brkt.
23	<del>69-130-B</del>	2	Clutch
24	<del>68-445-B</del>	1	Sprocket
25	<del>68-444-B</del>	1	Bushing
26	65-416-32	1	Bolt-Hex Hd. 1/4-20 x 2
27	65-516-12	4	Bolt-Hex Hd. 5/16-18 x 3/4
28	<del>68-336-B</del>	1	Bracket
29	<del>69-195-A</del>	1	Sprocket
30	<del>3A-277-B</del>	2	Clutch Friction Plate Assembly
31	<del>69-243-A</del>	1	Spacer-R.H.
32	<del>69-244-A</del>	1	Spacer-L.H. (Not Shown)

HURRICANE BLOWER	PRODUCTION YEAR 1970	MODEL No. HC-7080-SP
------------------	-------------------------	-------------------------

**CLUTCH ASSEMBLY  
HC-7080-SP**

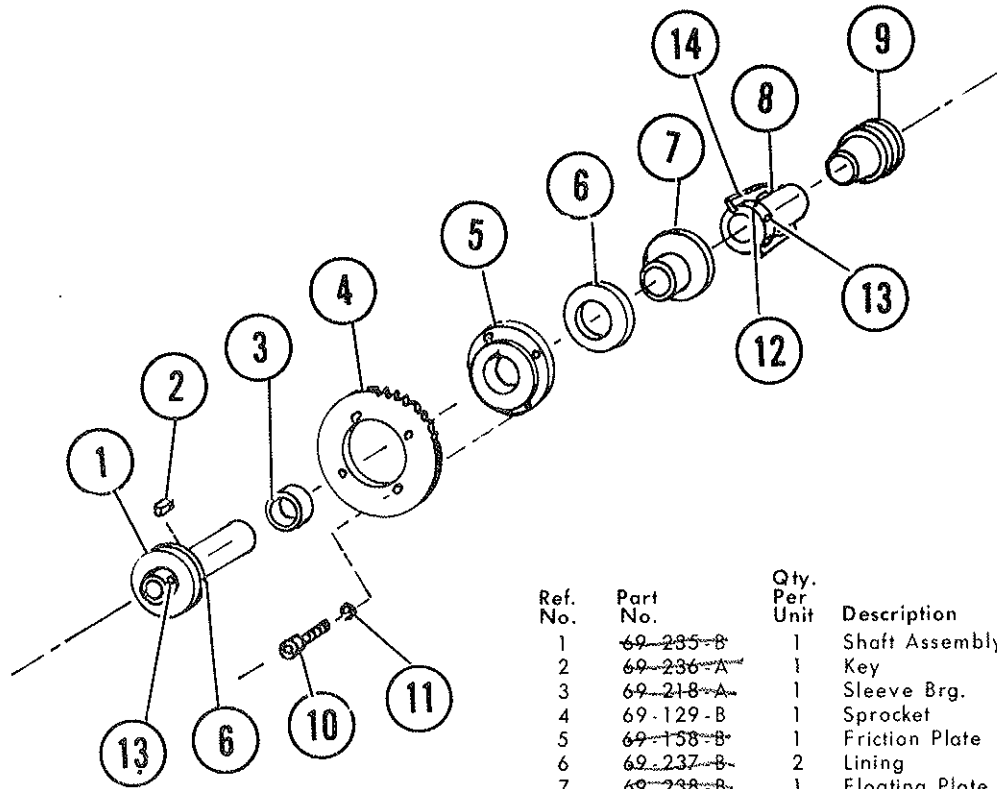


Fig. 6

Ref. No.	Part No.	Qty. Per Unit	Description
1	69-235-B	1	Shaft Assembly
2	69-236-A	1	Key
3	69-218-A	1	Sleeve Brg.
4	69-129-B	1	Sprocket
5	69-158-B	1	Friction Plate
6	69-237-B	2	Lining
7	69-238-B	1	Floating Plate Assembly
8	69-239-B	1	Toggle Holder
9	69-240-B	1	Shifting Cone
10	524-416-10	4	Screw-Soc. Hd. 1/4-20 x 5/8 NC.
11	935-416	4	Washer-Spring Lock
12	69-241-A	2	Drive Pin (Lever Axle)
13	564-416-6	2	Set Screw-Allen Hd. 1/4-20 x 3/8
14	69-242-B	2	Toggle

**DIFFERENTIAL ASSEMBLY**

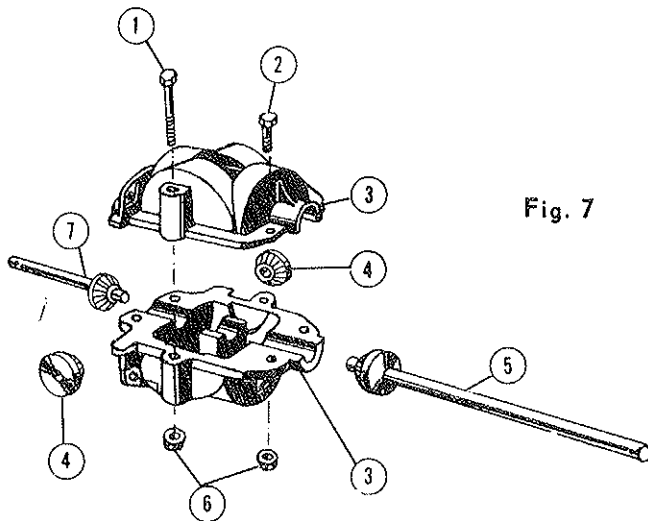
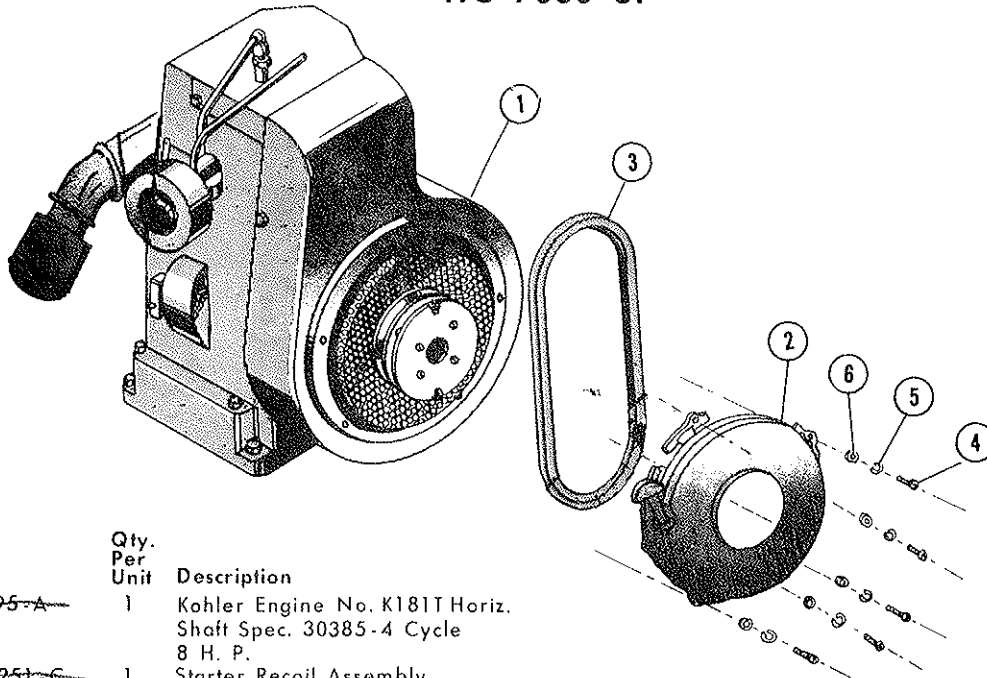


Fig. 7

Ref. No.	Part No.	Qty. Per Unit	Description
1	68-411-A	2	Bolt-Differential
2	68-410-A	4	Bolt-Differential
3	68-407-C	2	Housing-Differential
4	68-409-B	2	Miter Gear
5	SA-267-B	1	Long Axle Assembly
6	68-412-A	6	Nut-Lock Stover Flange
7	SA-266-B	1	Short Axle Assembly

REAR VIEW

## ENGINE AND DRIVE ASSEMBLY HC-7080-SP



Ref. No.	Part No.	Qty. Per Unit	Description
1	<del>69-95-A</del>	1	Kohler Engine No. K181T Horiz. Shaft Spec. 30385-4 Cycle 8 H. P.
2	<del>SA-251-C</del>	1	Starter Recoil Assembly
3	69-96-A	1	Belt
4	515-1024-8	5	Rd. Hd. Machine Screw (Furnished With Engine)
5	935-10	5	Med. Spring Lock Washer (Furnished With Engine)
6	945-10	5	Flat Washer-Furn. With Engine)

Fig. 8

## KOHLER ENGINE ASSEMBLY

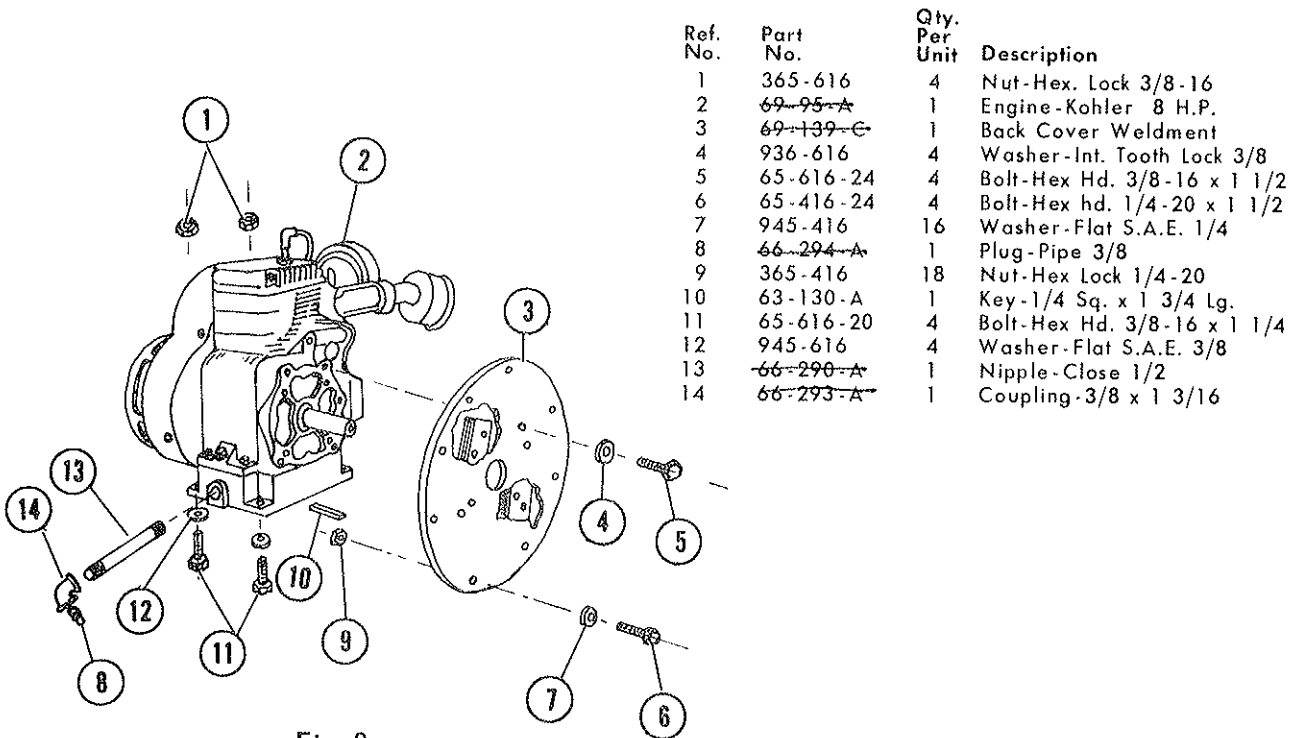


Fig. 9

Ref. No.	Part No.	Qty. Per Unit	Description
1	365-616	4	Nut-Hex. Lock 3/8-16
2	<del>69-95-A</del>	1	Engine-Kohler 8 H.P.
3	<del>69-139-C</del>	1	Back Cover Weldment
4	936-616	4	Washer-Int. Tooth Lock 3/8
5	65-616-24	4	Bolt-Hex Hd. 3/8-16 x 1 1/2
6	65-416-24	4	Bolt-Hex hd. 1/4-20 x 1 1/2
7	945-416	16	Washer-Flat S.A.E. 1/4
8	<del>66-294-A</del>	1	Plug-Pipe 3/8
9	365-416	18	Nut-Hex Lock 1/4-20
10	63-130-A	1	Key-1/4 Sq. x 1 3/4 Lg.
11	65-616-20	4	Bolt-Hex Hd. 3/8-16 x 1 1/4
12	945-616	4	Washer-Flat S.A.E. 3/8
13	<del>66-290-A</del>	1	Nipple-Close 1/2
14	<del>66-293-A</del>	1	Coupling-3/8 x 1 3/16

HURRICANE BLOWER	PRODUCTION YEAR 1970	MODEL NO. HC-7080-SP
------------------	-------------------------	-------------------------

**HOUSING UNIT ASSEMBLY  
HC-7080-SP**

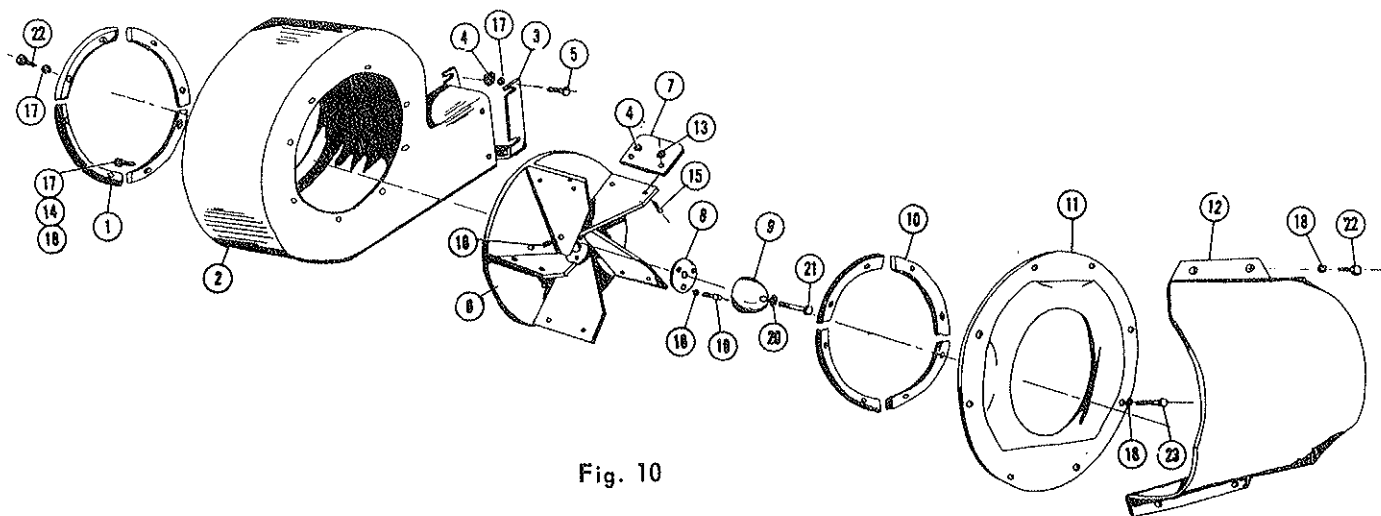


Fig. 10

Ref. No.	Part No.	Qty. Per Unit	Description
1	64-78-C	4	Anti Wrap Segments
2	<del>69-61-D</del>	1	Housing SA-1199-C
3	<del>69-64-B</del>	1	Guard-Wear Strip.
4	364-416	9	Nut-Hex Lock 1/4-20
5	65-416-12	4	Bolt-Hex Hd. 1/4-20 x 3/4
6	<del>63-88E-1</del>	1	Fan Wheel 72-675-D
7	<del>69-140-B</del>	5	Extension Fan Blade
8	<del>63-10-A</del>	1	Plate-Retainer
9	<del>61-10-A</del>	1	Retainer Fan
10	64-78-C	4	Anti Wrap Segments
11	<del>62-188-D</del>	1	Plate-Front
12	<del>69-183-C</del>	1	Guard
13	365-416	5	Nut-Hex Lock 1/4-20
14	65-416-28	2	Bolt-Hex Hd. 1/4-20 x 1 3/4
15	542-416-12	10	Sock Hd. Cap Screw 1/4-20 x 3/4
16	564-C-516-16	1	Set Screw-Allen Hd. 5/16-18 x 1
17	945-416	12	Washer-Flat 1/4
18	935-416	11	Washer-Spring Lock
19	524-416-12	3	Screw-Soc. Hd. 1/4-20 x 3/4
20	935-716	1	Washer-Spring Lock
21	<del>65-39-A</del>	1	Bolt-Hex Hd. 7/16-20 x 2 1/2
22	65-416-16	8	Bolt-Hex Hd. 1/4-20 x 1
23	65-416-32	4	Bolt-Hex Hd. 1/4-20 x 2

## FRONT END ASSEMBLY HC-7080-SP

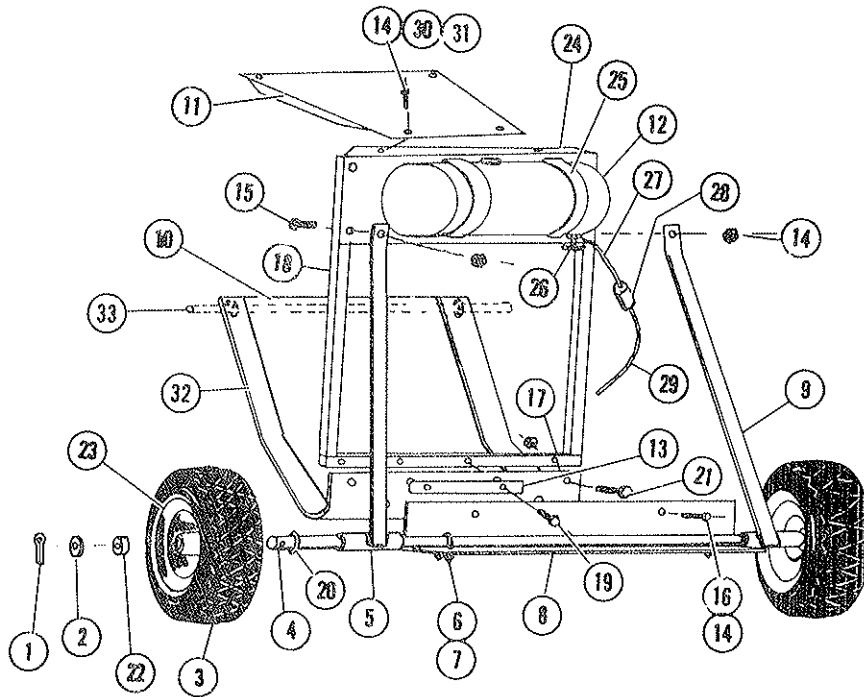


Fig. 11

Ref. No.	Part No.	Qty. Per Unit	Description	Ref. No.	Part No.	Qty. Per Unit	Description
1	380-432-20	2	Cotter Pin 1/8 x 1 1/4	18	<del>69-148-C</del>	2	Support Tube
2	945-1216	2	Washer-Flat S.A.E. 3/4	19	65-416-36	2	Bolt-Hex Hd. 1/4-20-2 1/4
3	<del>69-221-A</del>	2	Tire	20	946-1216-24	4	Washer-Fiber
4	<del>69-151-A</del>	1	Axle-Front	21	65-416-20	2	Bolt-Hex Hd. 1/4-20 x 1 1/4
5	<del>69-152-C</del>	1	Brace-Weldment R.H.	22	69-222-A	4	Bearing
6	<del>69-217-A</del>	2	"U" Bolt 5/16-18 x 3/4	23	<del>69-220-B</del>	2	Wheel
7	365-516	4	Nut-Hex Lock	24	<del>SA-281-B</del>	1	Plate Assem.-Tank Mount
8	<del>69-150-C</del>	1	Support-Front Axle	25	<del>SA-280-A</del>	2	Clamp Assem. Gas Tank
9	<del>69-153-C</del>	1	Brace-Weldment L.H.	26	<del>69-206-A</del>	1	Fuel Valve
10	<del>69-142-D</del>	1	Pan-Skid.	27	<del>69-147-A</del>	1	Fuel Line
11	<del>69-159-C</del>	1	Top Cover	28	<del>69-145-B</del>	1	Gasoline Filter
12	<del>68-380-B</del>	1	Gasoline Tank	29	<del>69-197-A</del>	1	Fuel Line
13	<del>69-143-A</del>	1	Washer Strip	30	65-416-8	2	Bolt-Hex Hd. 1/4-20 x 1 1/2
14	365-416	10	Nut-Hex Lock 1/4-20	31	945-416	2	Washer-Flat
15	65-416-24	2	Bolt-Hex Hd. 1/4-20 x 1 1/2	32	<del>69-141-D</del>	2	Brace-Strip
16	65-416-10	2	Bolt-Hex Hd. 1/4-20 x 5/8	33	<del>69-128-A</del>		Ref. Axle Rear See Fig. 8
17	69-149-C	2	Support				