



Electronic Service Manuals

This electronic document is provided as a service to our customers. We do not create the contents of the information contained in this document. Should you have detailed questions pertaining to the information contained in this document, you may contact Michco, or the manufacturer which provided the original information in this electronic deliverable. Michco's only part in this electronic deliverable was the electronic assembly process. By providing this manual on line we are not guaranteeing parts availability.

You may contact Michco through the following methods:

Phone (517) 484-9312 or (800) 331-3339

2011 N. High St. -- Lansing, Michigan -- 48906

Fax: (517) 484-9836

Email: CustServe@Michco.com

Web site: www.Michco.Com

Parts Web site: www.FloorMachineParts.Com

Order Parts on Line at:

www.FloorMachineParts.Com

Directly to Parts & Service:

By Email: **Shop@Michco.com**

By Fax: (517) 702-2041

By Voice: Use numbers above.

Serving the Cleaning Industry Since 1922

Notice: All copyrighted material remains property of original owners, all trademarks are property of respective owners. Manuals are subject to Manufacturer's reproduction limitations. Originals or reproductions were provided by manufacturers through a request. We make no warranty as to the correctness of information provided in this document and you assume all risk. By placing these manuals on line we are not declaring our corporation to be an manufacturer authorized dealer or provider, please check our web site for authorized manufacturers we represent.

HURRICANE BLOWER	PRODUCTION YEAR 1970	PART No. HC-7070
------------------	-------------------------	---------------------

PARTS LIST

Ref. No.	Part No.	Qty. Per Unit	Description of Part	Ref. No.	Part No.	Qty. Per Unit	Description of Part
1	62-173-A	2	Plate Washer	14	63-147-LB	2	Handle
2	62-230-A	2	Spacer Strip	15	63-148-B	2	Brace--Truss
3	62-194-C	2	Shield--Side	16	61-13-A 75-3074	4	Inserts--Handle Ends
4	63-161-C	1	Bracket Assembly, Upper Pivot	17	61-11-B	2	Cross Bar--Lower
5	63-162-C	1	Bracket Assembly, Lower Pivot	18	63-150-A	1	Cross Bar--Upper
6	63-163-AA	2	Link	19	62-131-C	4	T-Clamp
7	63-164-AA	2	Clevis Pin	20	59-77-A	4	Clamp
8	945-816	2	Washer, Flat SAE Med. 1/2	21	47-229-A	1	Clip--Cable
9	380-432-12	3	Cotter Pin 1/8 x 3/4	22	61-26-A	2	Handle Grips
10	64-124-B	1	Bracket--Key Slot	23	65-516-20	4	Bolt--Hex Hd. 3/8-18 x 1 1/2
11	64-118-A	1	Ring--Key 1 1/8 I.D.	24	365-516	4	Locknut--Hex 3/8-18
12	63-149-AA	1	Throttle Assembly	25	65-416-24	7	Bolt, Hex Hd. 1/4-20 x 1 1/2
13	62-128-A	1	Bracket, Throttle 81-02-A	26	65-416-20	4	Bolt, Hex Hd. 1/4-20 x 1 1/2
				27	365-416	11	Locknut, Hex 1/4-20

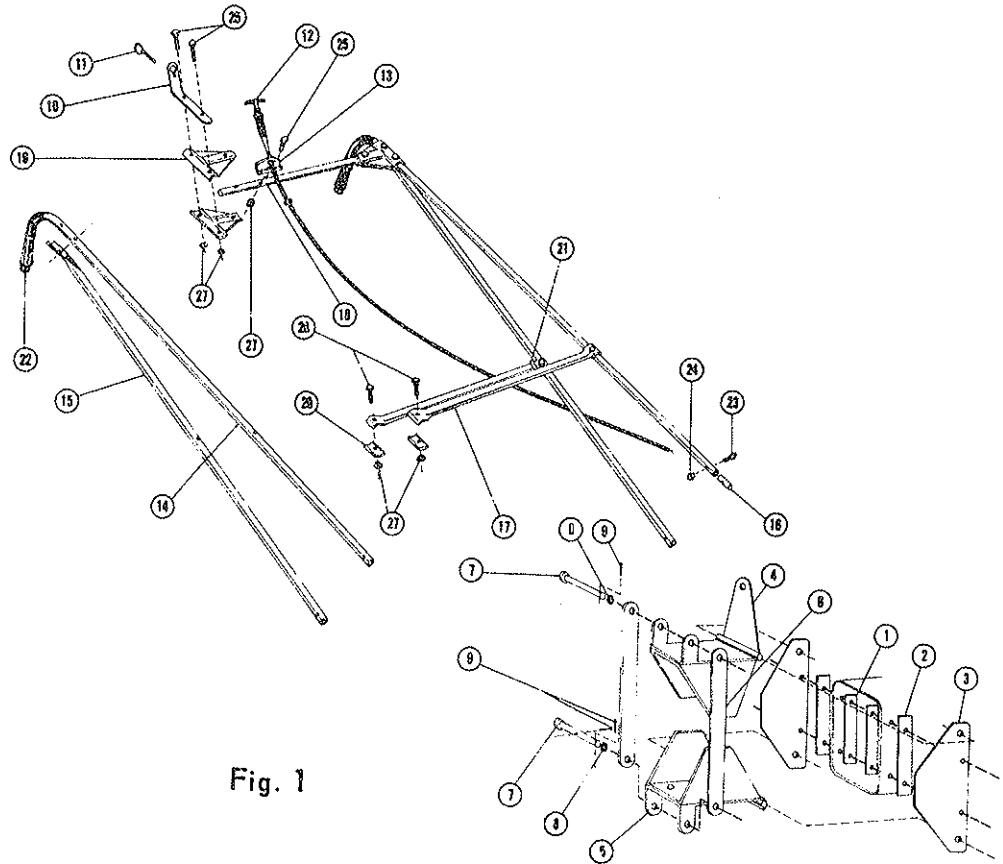


Fig. 1

Model HC-7070 Hurricane

PARTS LIST

Ref. No.	Part No.	Qty. Per Unit	Description of Part	Ref. No.	Part No.	Qty. Per Unit	Description of Part
1	64-111-F	1	Bracket, Engine	26	936-416	11	Washer—Internal Tooth Lock ¼
2	66-440-B	1	Support Angle	27	63-88-EA-1	1	Fan Wheel 72-175-D
3	65-416-12	16	Bolt, Hex Hd. ¼-20 x ¾	28	62-288-B	5	Extension Fan Blade
4	365-416	25	Locknut, Hex ¼-20	29	525-416-12	13	Screw—Soc. Hd. Cap ¼-20 x ¾
5	65-416-16	9	Bolt, Hex Hd. ¼-20 x 1	30	564-C-516-16	1	Screw—Allen Hd. Set ⅝-18 x 1
6	65-36-RA	1	Brace, R.H.	31	63-130-A	1	Key, Engine
*7	65-37-LA	1	Brace, L.H.	32	63-10-AB	1	Plate—Retainer
8	64-60-RC	1	Bracket, Handle and Axle, R.H.	33	61-10-AD	1	Retainer, Fan
*9	64-61-LC-1	1	Bracket, Handle and Axle, L.H.	34	64-120-A	1	Bolt, Special ⅝-24 x 2½
10	65-516-12	4	Bolt, Hex Hd. ⅝-18 x ¾	35	945-1216	8	Washer, Flat SAE ⅝
11	365-516	8	Locknut, Hex ⅝-18	36	68-447-B	2	Wheel
12	64-125-B	1	Axle	37	68-312-A	2	Tire
13	67-521-A	4	Roll Pin-3/16 x 1	38	68-313-A	2	Valve Stem
14	69-36-A	1	Engine, 7 H.P.	39	380-432-20	2	Cotter Pin ⅝ x 1¼
15	65-516-28	4	Bolt, Hex Hd. ⅝-18 x 1¾	40	64-121-C	1	Bracket—Tube Assembly
16	945-516	4	Washer, Flat SAE ⅝	41	945-416	11	Washer, Flat SAE Med. ¼
17	64-110-B	4	Spacer, Tie Bar	42	70-416-12	4	Bolt, Carriage ¼-20 x ¾
18	64-109-C	1	Back Cover	43	64-117-A	1	Bracket, Spring
19	64-78-C	4	Anti-Wrap Segment	44	64-119-A	1	Spring
20	62-232-F	1	Housing, Blower	45	47-219-AG-62	1	Chain
21	65-616-20	4	Bolt, Hex Hd. ⅝-16 x 1¼	46	380-432-12	2	Cotter Pin ⅝ x ¾
22	935-616	5	Washer—Spring Lock ⅝	47	62-188-D	1	Front Plate
23	60-516-20	4	Bolt, Hex Hd. ⅝-24 x 1¼	48	62-206-E	1	Guard
24	935-516	4	Washer—Spring Lock	49	64-114-D	1	Support Tube
25	65-416-24	2	Bolt, Hex Hd. ¼-20 x 1½	50	67-08-A	1	Bushing 69-222-A
				51	364-416	8	Nut—Hex. Lock 1/4-20—Thin

* Left Hand Not Shown

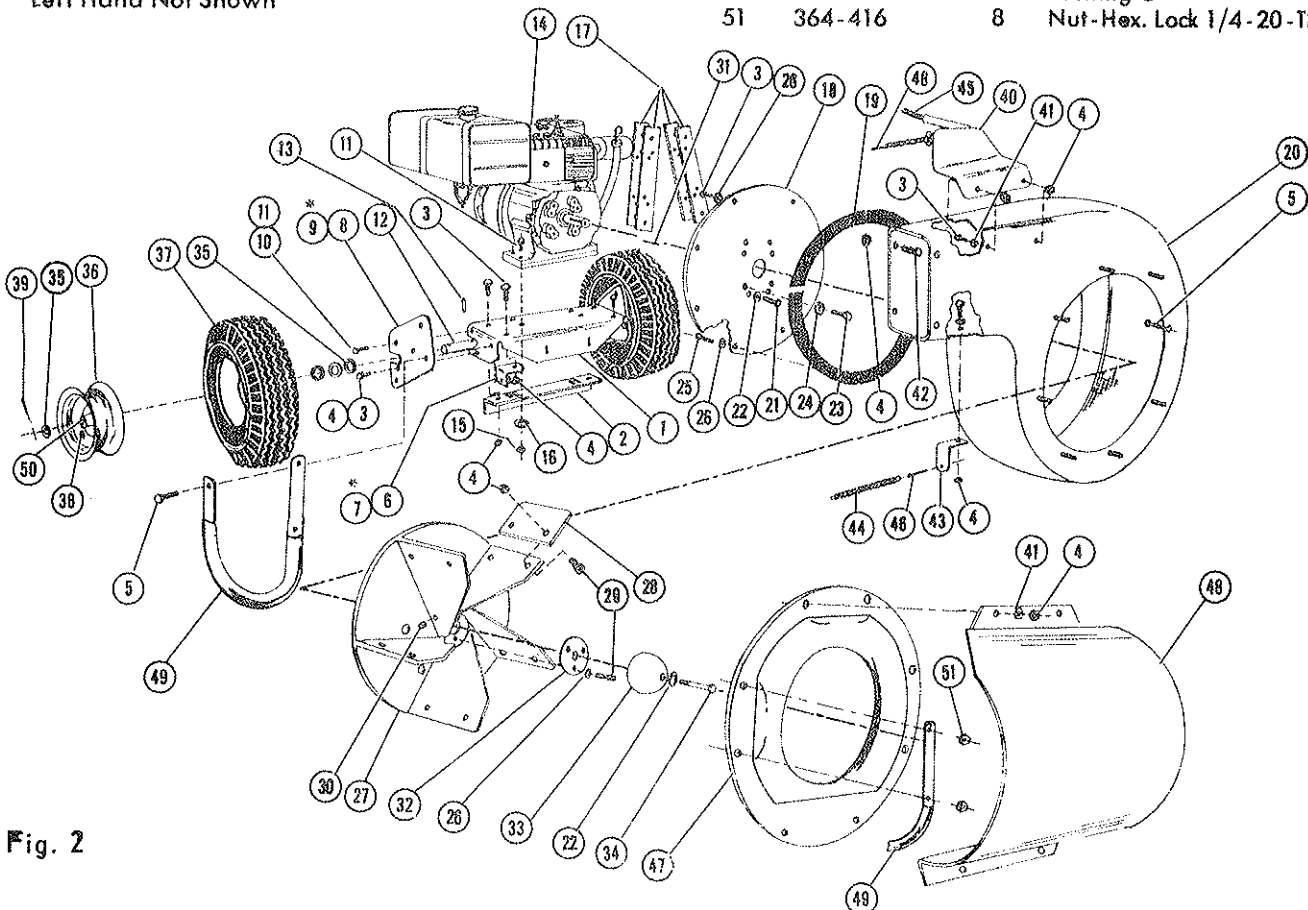


Fig. 2