



Electronic Service Manuals

This electronic document is provided as a service to our customers. We do not create the contents of the information contained in this document. Should you have detailed questions pertaining to the information contained in this document, you may contact Michco, or the manufacturer which provided the original information in this electronic deliverable. Michco's only part in this electronic deliverable was the electronic assembly process. By providing this manual on line we are not guaranteeing parts availability.

You may contact Michco through the following methods:

Phone (517) 484-9312 or (800) 331-3339

2011 N. High St. -- Lansing, Michigan -- 48906

Fax: (517) 484-9836

Email: CustServe@Michco.com

Web site: www.Michco.Com

Parts Web site: www.FloorMachineParts.Com

Order Parts on Line at:

www.FloorMachineParts.Com

Directly to Parts & Service:

By Email: **Shop@Michco.com**

By Fax: (517) 702-2041

By Voice: Use numbers above.

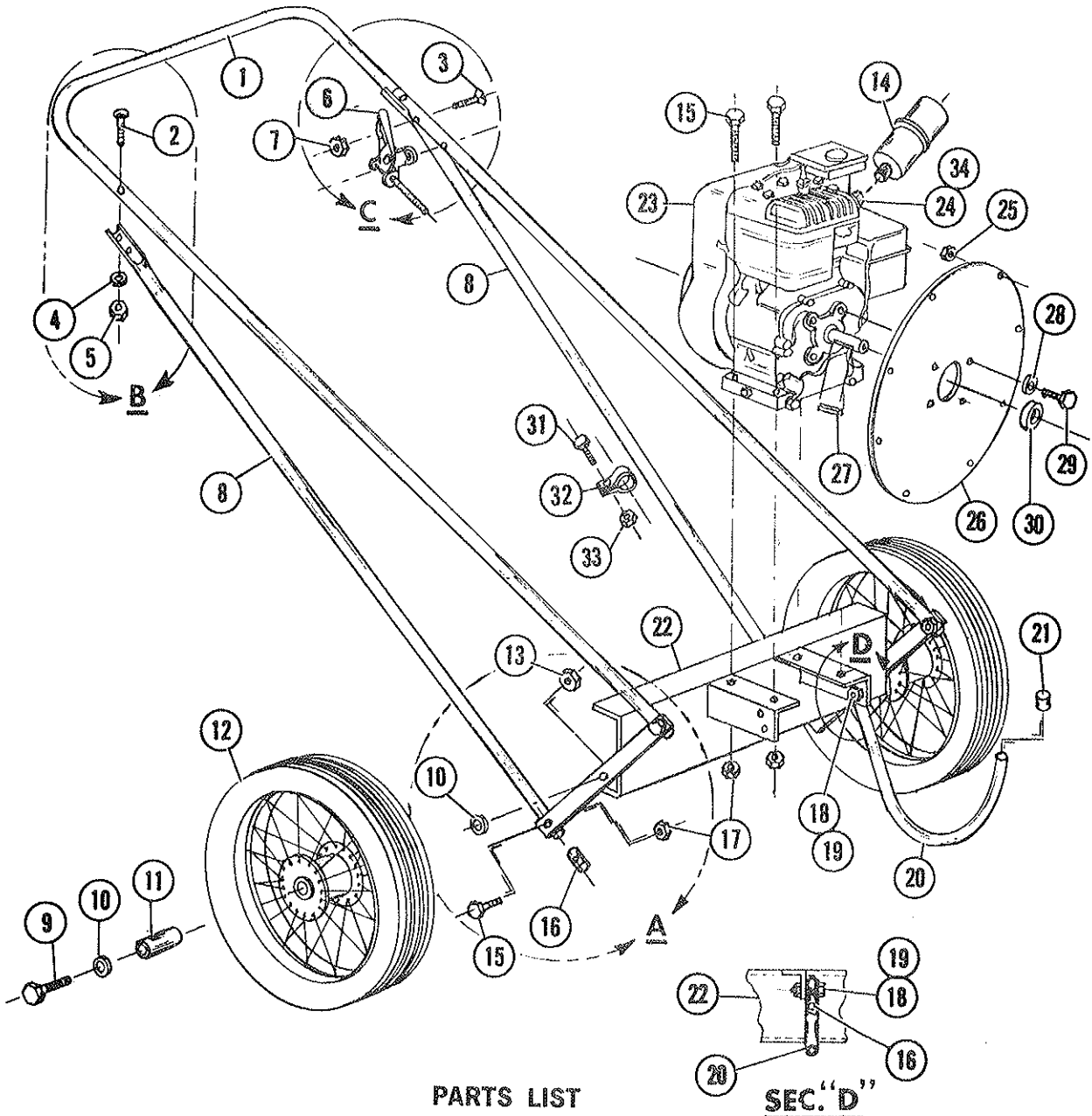
Serving the Cleaning Industry Since 1922

Notice: All copyrighted material remains property of original owners, all trademarks are property of respective owners. Manuals are subject to Manufacturer's reproduction limitations. Originals or reproductions were provided by manufacturers through a request. We make no warranty as to the correctness of information provided in this document and you assume all risk. By placing these manuals on line we are not declaring our corporation to be an manufacturer authorized dealer or provider, please check our web site for authorized manufacturers we represent.

HURRICANE BLOWER

MODEL CB-7350

SECTION 8



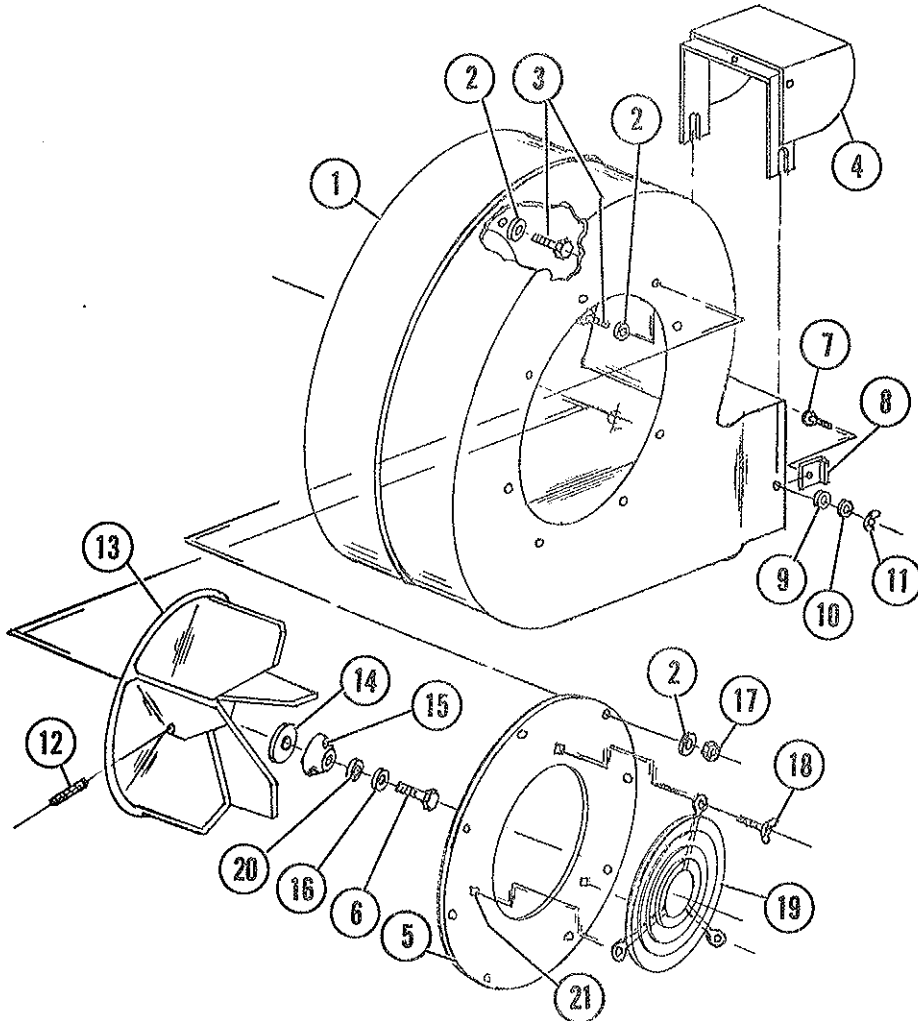
PARTS LIST

Ref. No.	Part No.	Qty. Per Unit	Description of Part
1	73-23-D	1	Handle
2	69-416-20	2	Bolt-Cont. Hd. 1/4-20x1 1/4
3	517-10-16	2	Bolt-Oval Hd. 10-24x1
4	936-416	2	Washer Int. Tooth Lock 1/4
5	335-416	2	Nut-Hex Reg. 1/4-20
6	73-36-A	1	Controll-Throttle Assy. 83-25-B-36
7	365-10	2	Nut-Hex 10-24
8	73-24-B	2	Brace Truss
9	60-816-80	2	Bolt-Hex Hd. 1/2-20x5
10	945-816	4	Washer-Flat. 1/2
11	73-33-A	2	Bushing-Wheel
12	SA-357-C	2	Wheel Assem.
	73-29-A	2	Wheel Tire SA-357-C
	73-97-A	2	Bearing-Wheel
13	368-816	2	Nut-Hex. Lock 1/2-20
14		1	Muffler comes w/Engine
15	65-516-24	8	Bolt-Hex Hd. 5/16-18x1 1/2
16	75-30-A	5	Insert-Handle

Ref. No.	Part No.	Qty. Per Unit	Description of Part
17	365-516	8	Nut-Hex Lock 5/16-18
18	364-416	2	Nut-Hex Lock 1/4-20
19	65-416-20	2	Bolt-Hex Hd. 1/4-20x1 1/4
20	73-34-B	1	Brace Rest
21	73-35-A	1	Cap Tube
22	73-09-C	1	Engine Base
23	73-15-A	1	Engine 85-46-D
24	67-59-A	1	Elbow
25	365-416	8	Nut-Hex Lock 1/4-20
26	61-02-C	1	Back Cover
27	61-65-A	1	Key-3/16x1 3/4
28	936-516	4	Washer-Int. Lock 5/16
29	60-516-10	4	Bolt Hex 5/16-24x5/8
30	64-134-A	1	Spacer
31	515-8-8	1	Screw Rd. Hd. Mach. 8-32x1 1/2
32	68-101-A	1	Clamp-Cable
33	365-8	1	Nut-Hex Lock 8-32
34	63-262-A	1	Lock Washer comes W/Engine
35	294599	1	Muffler comes W/Engine

SEC. "D"

HOUSING UNIT ASSEMBLY CB-7350



PARTS LIST

Ref. No.	Part No.	Qty. Per Unit	Description of Part	Ref. No.	Part No.	Qty. Per Unit	Description of Part
1	73-78-F	1	Blower Housing	11	351-416-18	2	Wing Nut $\frac{1}{4}$ -20
2	945-416	24	Washer-Flat	12	564-C-516-16	1	Set Screw $\frac{5}{16}$ -18x1
3	65-416-12	8	Bolt-Hex Hd. $\frac{1}{4}$ -20x $\frac{3}{4}$	13	61-14-E	1	Fan Wheel
4	68-258-B	1	Deflector Assy.	14	63-10-A-1	1	Plate-Retainer
5	73-17-C	1	Cover-Front	15	61-10-A	1	Retainer Fan
6	72-177-A	1	Bolt Hex. Hd. $\frac{5}{16}$ -24x2 $\frac{3}{16}$ <i>5/16-24x2 3/16 SK-44</i>	16	935-516	1	Washer Spring Lock $\frac{5}{16}$
7	73-416-12	2	Step Bolt $\frac{1}{4}$ -20x1"	17	365-416	8	Nut-Hex $\frac{1}{4}$ -20
8	73-96-A	2	Clamp-Deflector	18	73-70-A	3	Wing Nut $\frac{1}{4}$ -20
9	68-259-A	2	Washer	19	73-95-C	1	Guard Fan
10	935-416	2	Washer-Spring Lock	20	945-516	1	Washer Flat $\frac{5}{16}$
				21	73-18-A	3	Nut-Clip Retainer

ALWAYS GIVE THE FOLLOWING INFORMATION WHEN ORDERING REPAIR PARTS:

IMPORTANT

1. PART NUMBER (Not Ref. No.)
2. QUANTITY NEEDED
3. DESCRIPTION OF PART
4. STOCK No. CB-7350

If unable to obtain parts locally, write down above information and send to:
PARKER SWEEPER CO., BOX 720, SPRINGFIELD, OHIO 45501

Your unit is right hand (R.H.) or left hand (L.H.) as you stand behind it.