



Electronic Service Manuals

This electronic document is provided as a service to our customers. We do not create the contents of the information contained in this document. Should you have detailed questions pertaining to the information contained in this document, you may contact Michco, or the manufacturer which provided the original information in this electronic deliverable. Michco's only part in this electronic deliverable was the electronic assembly process. By providing this manual on line we are not guaranteeing parts availability.

You may contact Michco through the following methods:

Phone (517) 484-9312 or (800) 331-3339

2011 N. High St. -- Lansing, Michigan -- 48906

Fax: (517) 484-9836

Email: CustServe@Michco.com

Web site: www.Michco.Com

Parts Web site: www.FloorMachineParts.Com

Order Parts on Line at:

www.FloorMachineParts.Com

Directly to Parts & Service:

By Email: **Shop@Michco.com**

By Fax: (517) 702-2041

By Voice: Use numbers above.

Serving the Cleaning Industry Since 1922

Notice: All copyrighted material remains property of original owners, all trademarks are property of respective owners. Manuals are subject to Manufacturer's reproduction limitations. Originals or reproductions were provided by manufacturers through a request. We make no warranty as to the correctness of information provided in this document and you assume all risk. By placing these manuals on line we are not declaring our corporation to be an manufacturer authorized dealer or provider, please check our web site for authorized manufacturers we represent.

SweepMaster 28B & 28G Parts List

The contents of this manual are based on the latest product information available at the time of publication. Pacific Steamex reserves the right to make changes or improvements to its machines without notice.

For new books write to:

Pacific Steamex, Inc.
2259 S. Sheridan
Muskegon, MI 49442-6252

FOR YOUR CONVENIENCE, RECORD THE MACHINE MODEL AND SERIAL NUMBER HERE:

MODEL _____

SERIAL NUMBER _____

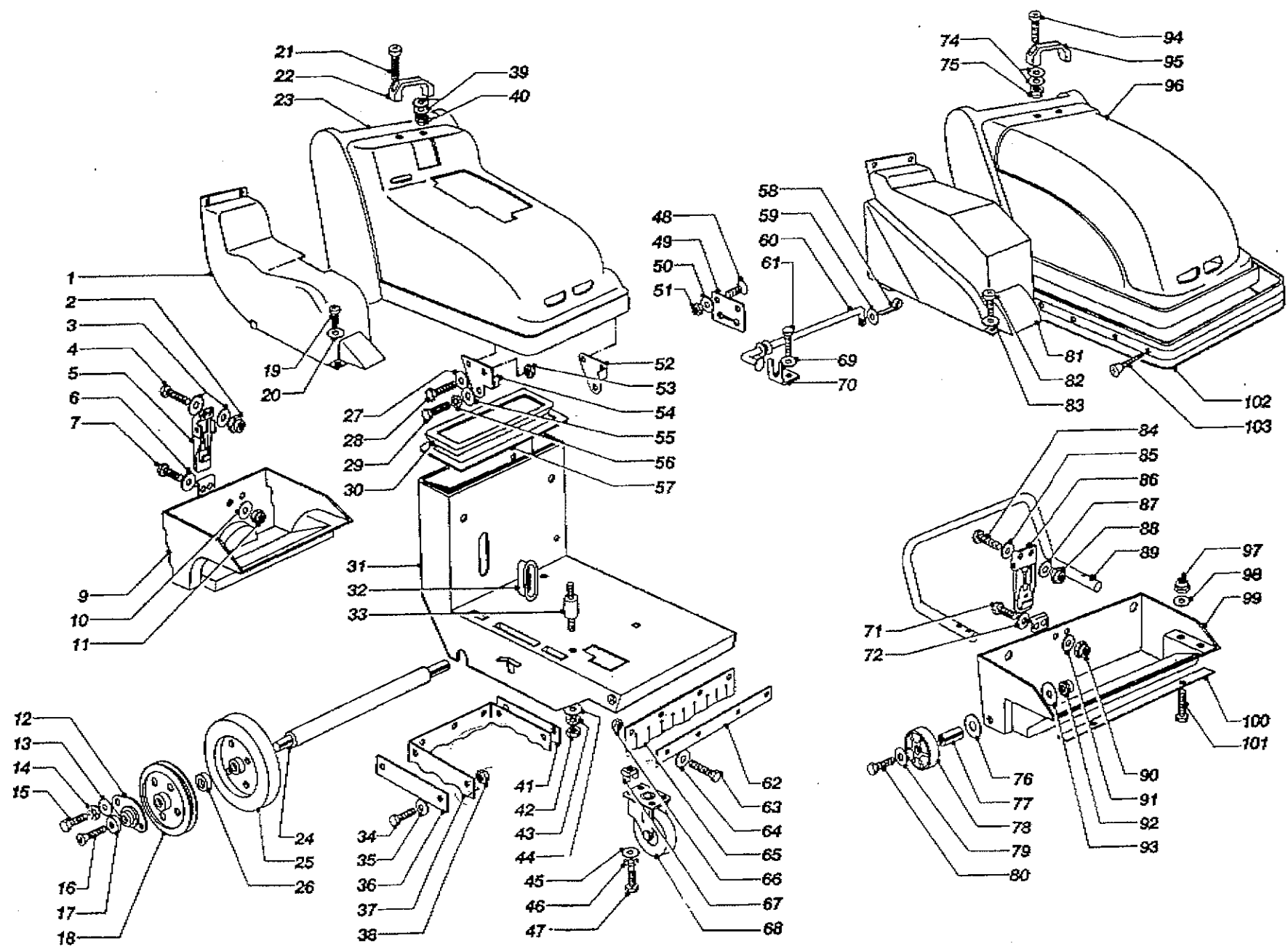
2

117

28346

01

P. 002



MAY/01/2009/FRI 11:12 PM

2/17

28B & G

DRAWING 01

ITEM	PART NUMBER	DESCRIPTION	QTY.
1	R3446030	Cover	1
2	T1020301	Nut	
3	T1103001	Washer	
4	T0910301	Screw	
5	T4400001	Hopper Hook	1
6	T1103001	Washer	
7	T0910301	Screw	
9	R3141090	Hopper	1
10	T1103001	Washer	
11	T1020301	Nut	
12	T0541701	Support	4
13	T1106001	Washer	
14	T1306001	Washer	
15	T0910602	Screw	
16	T0910502	Screw	
17	T4803011	Cover	2
18	E9431040	Pulley	1
19	T0940507	Screw	
20	T1060501	Nut	
	T1105001	Washer	
21	T0980603	Screw	
22	T4100008	Handle	1
23	R3446020	Cover	1
24	R3417010	Shaft	1
25	E7010030	Wheel	2
26	R3117030	Spacer	3
27	T1106001	Washer	
28	T0980603	Screw	
29	T0980603	Screw	
30	R3241010	Cover	1
31	E9934100	Frame	1
32	E7402010	Vacuum Gasket	1
33	E8730010	Antivibration Device	4
34	T0910502	Screw	
35	T1105001	Washer	
36	R3141040	Metal Strip	1
37	R3441020	Flap, Rear	1
38	T1020501	Nut	
39	T1106001	Washer	
40	T1020601	Nut	

ITEM	PART NUMBER	DESCRIPTION	QTY.
41	R3141030	Metal Strip	1
42	T1010801	Nut	
43	T1308001	Washer	
45	T1108002	Washer	
46	T1308001	Washer	
47	T0910802	Screw	
48	T0910602	Screw	
49	R3146060	Guide	
50	T1106001	Washer	
51	T1020601	Nut	
52	R3147040	Left Hinge	1
53	T1020601	Nut	
54	R3147060	Right Hinge	1
55	T1106001	Washer	
56	T1308001	Washer	
57	E7400010	Magnetic Bar	
58	T1600002	Pin	
59	T1106001	Washer	
60	R3146050	Prop	
61	T0910802	Screw	
62	R3441030	Metal Strip	1
63	T0980506	Screw	
64	T1105001	Washer	
65	R3441010	Front Flap	1
66	T1010501	Nut	
67	T1050801	Nut	
68	E7050040	Caster	1
69	T1308001	Washer	
70	R3146070	Bracket	1
71	T0980601	Screw	
72	T1106001	Washer	
74	T1106001	Washer	
75	T1020601	Nut	
76	T1108011	Washer	
77	R3441090	Wheel Pin	2
78	E7010050	Wheel	2
79	T1108001	Washer	
80	T0930802	Screw	
81	R3146020	Cover	1
82	T0940507	Screw	

P. 003

MAY/01/2009/FRI 11:13 PM

4/17

28B + G

DRAWING 01

P. 004

ITEM	PART NUMBER	DESCRIPTION	QTY.
83	T1060501	Nut	
	T1105001	Washer	
84	T0980601	Screw	
85	T1106001	Washer	
86	T4400005	Hopper Hook	1
87	T1106001	Washer	
88	T1020601	Nut	
89	R3441044	Handle	1
90	T1020601	Nut	
91	T1106001	Washer	
92	T1020802	Nut	

ITEM	PART NUMBER	DESCRIPTION	QTY.
93	T1108011	Washer	
94	T0980603	Screw	
95	T4100008	Handle	1
96	R3346010	Cover	1
97	T1020601	Nut	
98	T1106001	Washer	
99	R3441040	Hopper	1
100	E7402030	Gasket	
101	T0930601	Screw	
102	E7402020	Bumper	1
103	T09A0303	Screw	

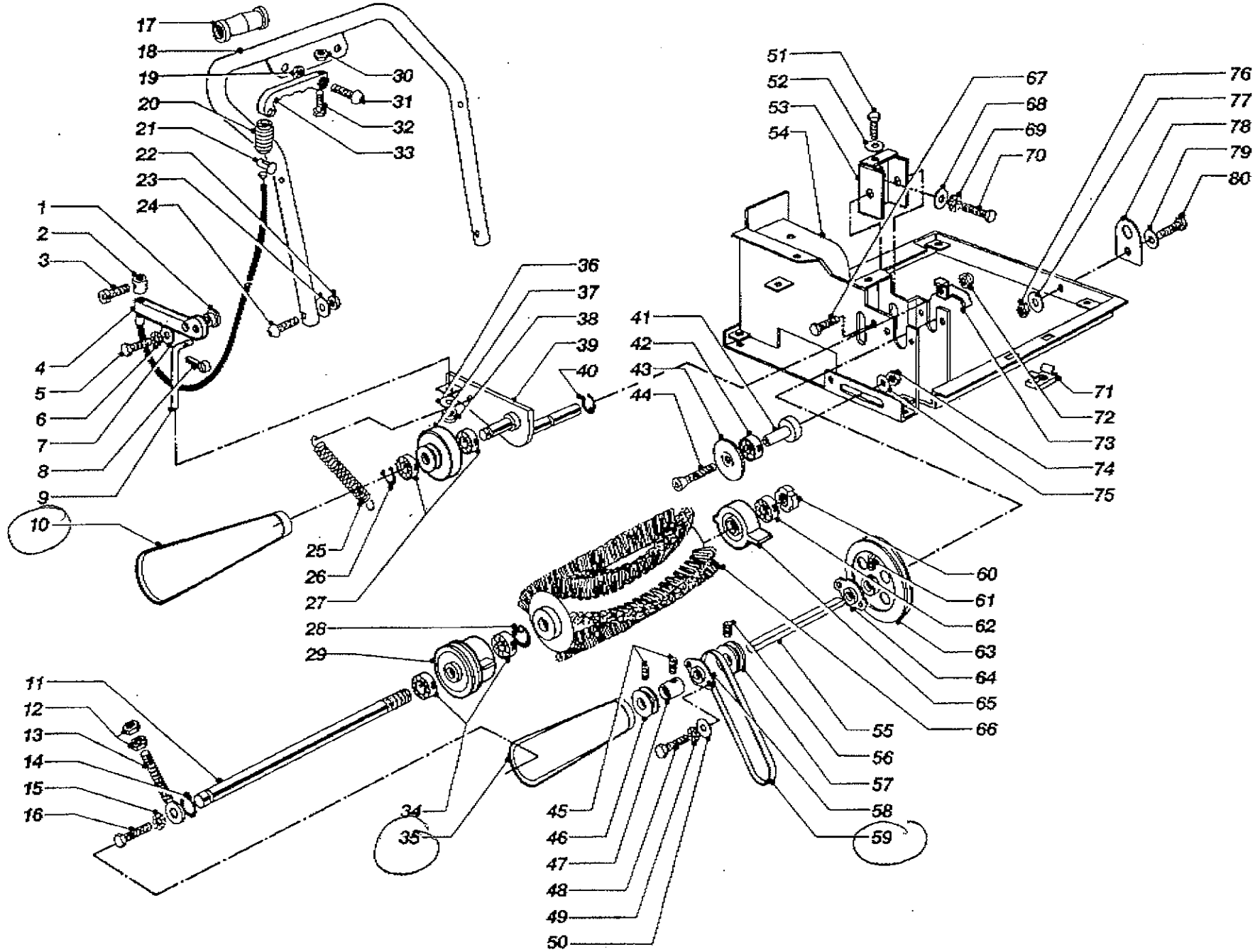
MAY/01/2009/FRI 11:13 PM

5/17

28B26

02

P.005



MAY/01/2009/FRI 11:13 PM

6/17

28B & C

DRAWING 02

ITEM	PART NUMBER	DESCRIPTION	QTY.
1	E9131010	Bushing	1
2	T4802002	Holdfast	
3	T0910412	Screw	
4	R3128040	Bracket	1
5	T0910803	Screw	
6	T1308001	Washer	
7	T1108001	Washer	
8	T1600003	Pin	
9	R3128050	Rod	1
10	T0110004	Belt	1
11	R3407010	Shaft	1
12	T1010601	Nut	
13	R3107030	Tie Rod	2
14	T0220001	Ring	
15	T1308001	Washer	
16	T0910802	Screw	
17	T4100001	Knob	2
18	R3447010	Handle	1
19	T1020801	Nut	
20	E7401010	Bellows	2
21	T4802003	Cable Holder	2
22	T1020801	Nut	
23	T1106002	Washer	
24	T0990602	Screw	
25	E9220010	Spring	
26	T0220002	Ring	
27	T0511001	Bearing	
28	T0220001	Ring	
29	E9431080	Pulley	1
30	T1020802	Nut	
31	T0990603	Screw	
32	T0910605	Screw	
33	R3147030	Handle	2
34	T0511501	Bearing	
35	T0110003	Belt	1
36	T1105001	Washer	
37	R3128030	Traction Wheel	1
38	T1010505	Nut	
39	R3128010	Traction Lever	1
40	T0220003	Ring	

ITEM	PART NUMBER	DESCRIPTION	QTY.
41	R3117070	Tension Pin, Belt	1
42	T0511203	Bearing	
43	T1108011	Washer	
44	T0980805	Screw	
45	T0980605	Screw	
46	E9431020	Pulley	1
47	R3117050	Traction Roll	1
48	T0910801	Screw	
49	T1308001	Washer	
50	T1108001	Washer	
51	T0910605	Screw	
52	T1306001	Washer	
53	R3117060	Support Plate	1
54	R3417020	Bracket	1
55	R3117040	Shaft	1
56	T0960605	Screw	
57	E9432010	Pulley	1
58	T0541701	Support Plate	
59	T0110005	Belt	1
60	E8710010	Ring Nut	1
61	T1020801	Nut	
62	T0511501	Bearing	
63	E9431030	Pulley	1
64	T0541701	Support	
65	R3107010	Brush Holder	
66	E6834010	Central Brush	1
67	T0980501	Screw	
68	T1108002	Washer	
69	T1308001	Washer	
70	T0910802	Screw	
71	T1050801	Nut	
72	T1020501	Nut	
73	R3108120	Belt Fastener	1
74	T1020801	Nut	
75	T1108002	Washer	
76	T1020501	Nut	
77	T1105002	Washer	
78	R3430060	Support	1
79	T1105002	Washer	
80	T0910502	Screw	

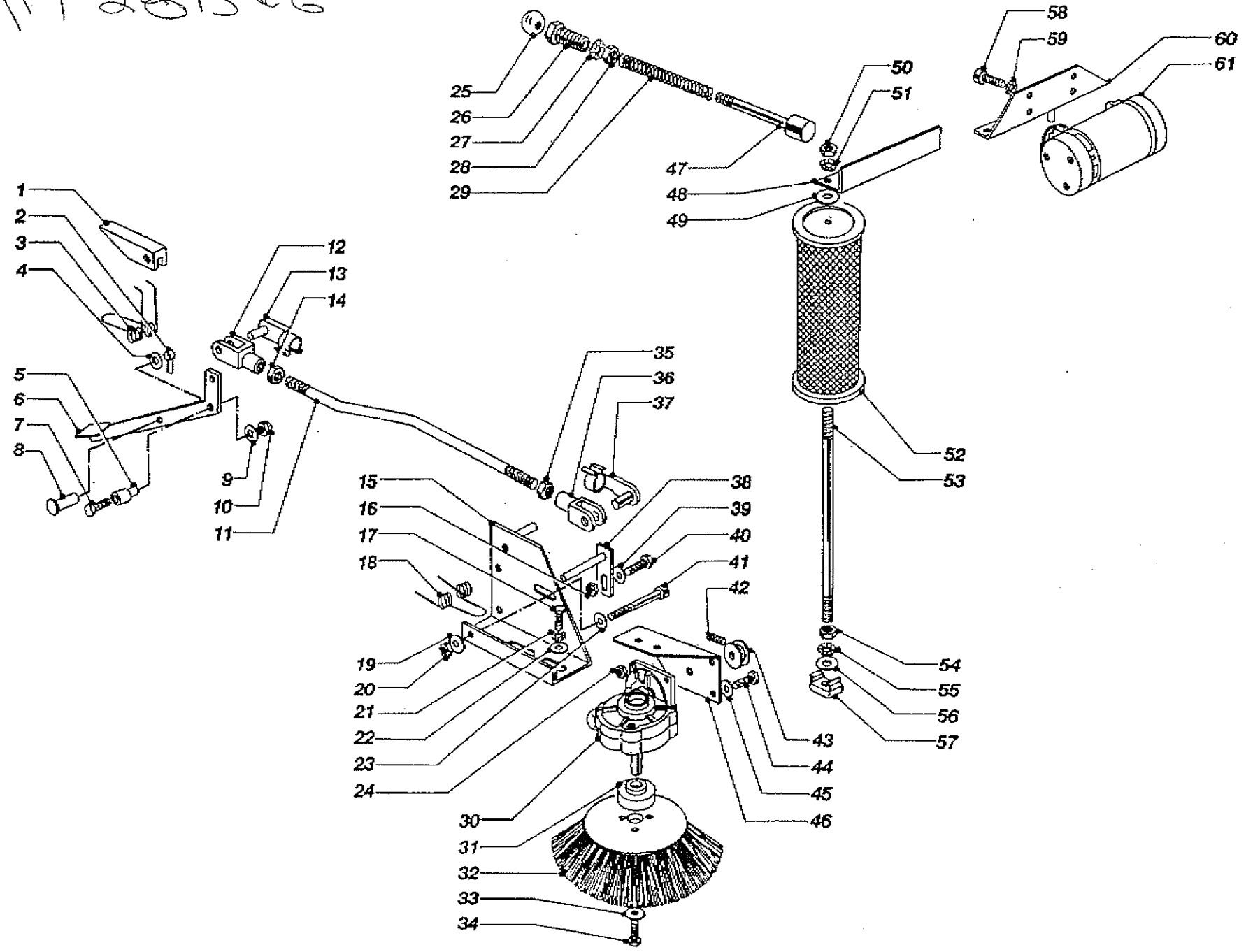
P. 006

MAY/01/2009/FRI 11:14 PM

7/17 28B & C

03

P. 007



MAY/01/2009/FRI 11:14 PM

8/17

28B & C

DRAWING 03

P. 008

ITEM	PART NUMBER	DESCRIPTION	QTY.
1	R3108080	Brush Pedal	1
2	T1502001	Pin	
3	E9230020	Spring	1
4	T1108001	Washer	
5	R3108080	Pin	1
6	R3108050	Pedal	1
7	T0910605	Screw	
8	R3108070	Pin	1
9	T1106002	Washer	
10	T1020601	Nut	
11	R3108090	Rod	1
12	T4610001	Fork	
13	T4620003	Fork Pin	
14	T1010801	Nut	
15	R3108020	Bracket	1
16	T1020601	Nut	
17	T0910802	Screw	
18	E9230010	Spring	1
19	T1108001	Washer	
20	T1020802	Nut	
21	T1308001	Washer	
22	T1108002	Washer	
23	T1108001	Washer	
24	T1020601	Nut	
25	T4008001	Ball Grip	1
26	R3156010	Guide	1
27	T1314001	Washer	
28	T1011401	Nut	
29	E9210010	Spring	1
30	E8600020	Reduction Gear	1

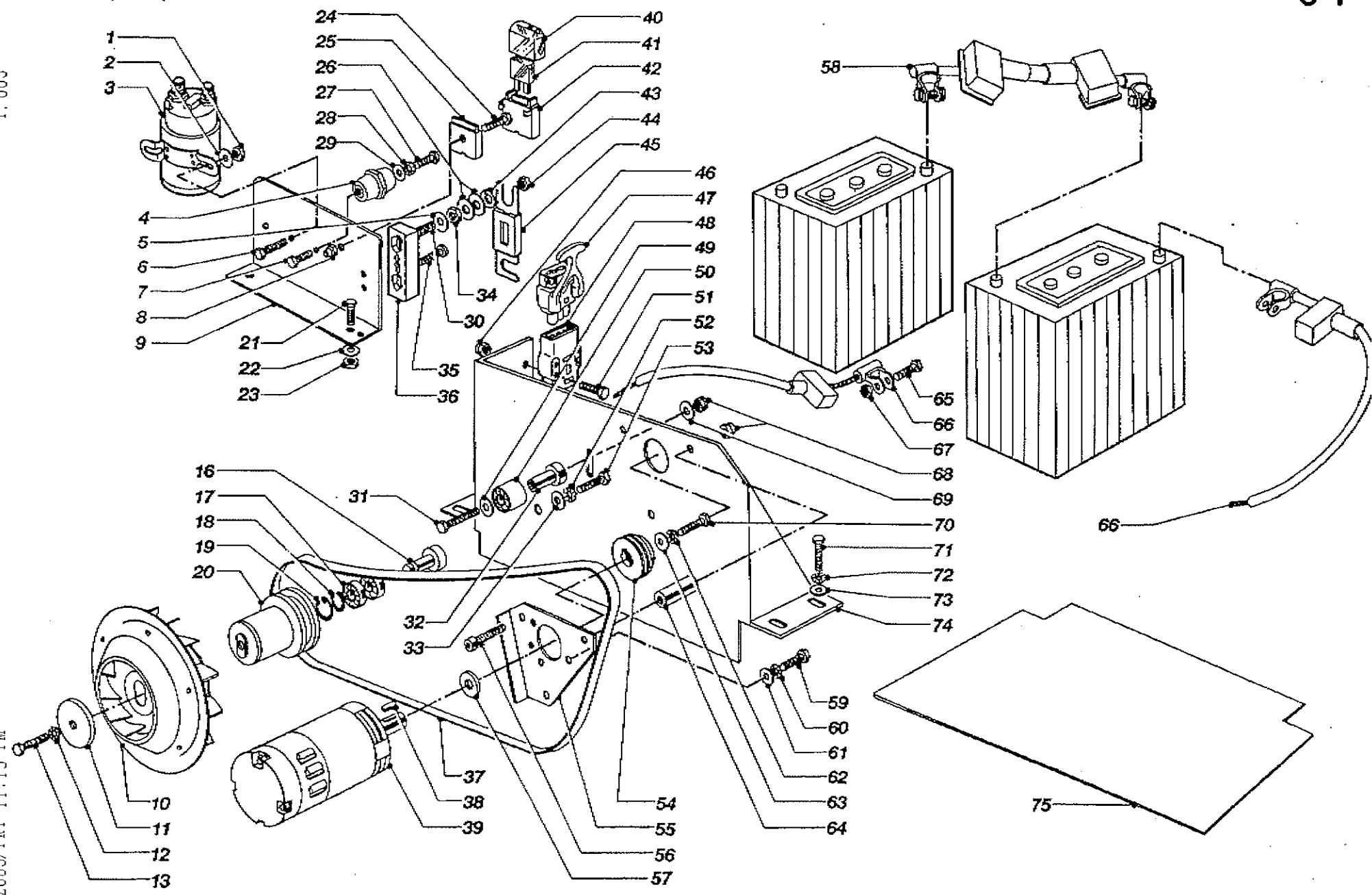
ITEM	PART NUMBER	DESCRIPTION	QTY.
31	R3208020	Brush Holder	1
32	E8831020	Side Brush	1
33	T1106002	Washer	
34	T0910603	Screw	
35	T1010801	Nut	
36	T4610001	Fork	
37	T4620003	Fork Pin	
38	R3108030	Bracket Pin	1
39	T1106001	Washer	
40	T0910602	Screw	
41	T0930802	Screw	
42	T0960605	Screw	
43	E9432020	Pulley	1
44	T0910603	Screw	
45	T1106001	Washer	
46	R3208010	Support	1
47	R3141080	Filter Shaker	1
49	E8720010	Rubber Washer	
50	T1020802	Nut	
51	T1308001	Washer	
52	E6500010	Filter	3
53	R3141060	Tie Rod	3
54	T1010801	Nut	
55	T1308001	Washer	
56	T1108002	Washer	
57	T1050801	Nut	
58	T0910602	Screw	
59	T1306001	Washer	
60	R3441080	Frame, Filter Shaker	1
61	E8210020	Filter Shaker	1

MAY/01/2009/FRI 11:14 PM

9/17 28B & C

P. 009

MAY/01/2009/FRI 11:15 PM



10/17

28B & C

DRAWING 04 - 28B ONLY

P. 010

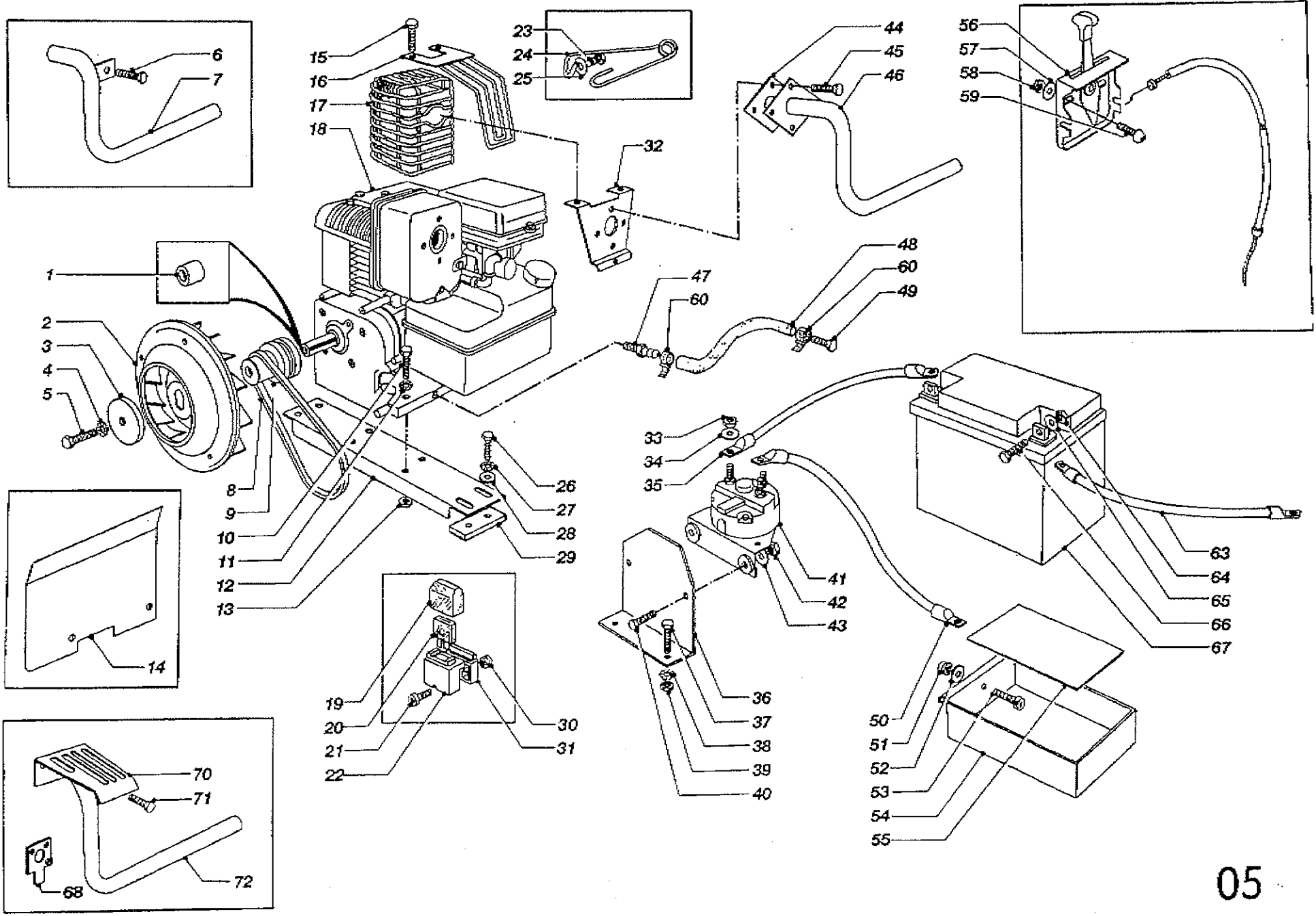
ITEM	PART NUMBER	DESCRIPTION	QTY.
1	T1020601	Nut	
2	T1106001	Washer	
3	E8410001	Switch	1
4	T2903002	Insulator	1
5	T1110008	Washer	
6	T0910602	Screw	
7	T0910501	Screw	
8	T1020401	Nut	
9	R3151010	Bracket	1
10	T5410001	Fan	1
11	R3141190	Washer	1
12	T1308001	Washer	
13	T0910802	Screw	
16	R3141180	Pin	
17	T0511502	Bearing	
18	T0220001	Ring	
19	T0210002	Ring	
20	E9431050	Pulley	1
21	T0910602	Screw	
22	T1106001	Washer	
23	T1020601	Nut	
24	T0910411	Screw	
25	T2911003	Coupler, Fuse Holder	1
26	T1110008	Washer	
27	T0910501	Screw	
28	T1305001	Washer	
29	T1105001	Washer	
30	T0911010	Screw	
31	T0910804	Screw	
32	R3141180	Pin	1
33	T1108002	Washer	
34	T1021001	Nut	
35	T0910406	Screw	
36	T2400004	Fuse Holder	1
37	T0110002	Belt	1
38	T0405051	Key	1
39	E8210010	Motor	1

ITEM	PART NUMBER	DESCRIPTION	QTY.
40	T2400014	Fuse Cover	1
41	T2401001	Fuse	1
42	T2400010	Fuse Holder	1
43	T1110004	Washer	
44	T1021001	Nut	
45	T2410001	Fuse	1
46	T1020401	Nut	
47	M2270001	Connector	1
48	E8000700	Female Connector	1
49	T1108001	Washer	
50	T0511203	Bearing	
51	T0910408	Screw	
52	T1308001	Washer	
53	T0910801	Screw	
54	E9431010	Pulley	1
55	R3130010	Motor Bracket	1
56	T0930802	Screw	
57	E9014050	Spacer	1
58	E8000440	Cable	1
59	T0910602	Screw	
60	T1306001	Washer	
61	T1106002	Washer	
62	T1306001	Washer	
63	T1108002	Washer	
64	R3130020	Spacer	3
65	T0910619	Screw	
66	M2800010	Battery Cable w/o Connector	1
67	T1010804	Nut	
68	T1020802	Nut	
69	T1108001	Washer	
70	T0910602	Screw	
71	T0910802	Screw	
72	T1308001	Washer	
73	T1108002	Washer	
74	R3141170	Bracket	1
75	E6333010	Battery Mat	1

MAY/01/2009/FRI 11:15 PM

11/17 28846

P.011



MAY/01/2009/FRI 11:15 PM

12/17

28B & C

DRAWING 05 (28G) ONLY

P. 012

ITEM	PART NUMBER	DESCRIPTION	QTY.
2	T5410001	Fan	1
3	R3141190	Washer	1
4	T1308001	Washer	
5	T0902401	Screw	1
8	T0110001	Belt	1
9	E9432030	Pulley	1
10	T0910803	Screw	
11	T1308001	Washer	
12	R3430090	Bracket-Motor	1
13	T1010801	Nut	
14	R3430110	Protection Cover	1
15	T0910501	Screw	
16	R3430040	Bracket	1
18	M2820004	Engine, 5.5HP Honda	1
19	T2400014	Cover	1
20	T2401501	Fuse	1
21	T0970303	Screw	
22	T2911003	Coupler	1
23	T09A0402	Screw	
25	T1105001	Washer	
26	T0910802	Screw	
27	T1308001	Washer	
28	T1108002	Washer	
30	T1020301	Nut	
31	T2400010	Fuseholder	1
33	T1010601	Nut	
34	T1106001	Washer	
35	E8000771	Cable	1
36	E8740010	Support	1
37	T0910603	Screw	
38	T1308001	Washer	

ITEM	PART NUMBER	DESCRIPTION	QTY.
39	T1010601	Nut	
40	T0910602	Screw	
41	E8410002	Switch	1
42	T1010601	Nut	
43	T1106001	Washer	
44	R3400050	Gasket	1
45	T09A0406	Screw	
46	R3430030	Discharge Hose	1
47	T4540008	Fitting	1
48	E7520350	Hose	1
49	T0911001	Screw	
50	E8000751	Cable	1
51	T1020602	Nut	
52	T1108002	Washer	
53	T0910802	Screw	
54	R3417030	Battery Holder	1
55	E6334010	Mat	1
56	R3430070	Accelerator Cable	1
57	T1105001	Washer	
58	T1020501	Nut	
59	T0990504	Screw	
60	T4220005	Clamp	2
63	E8000761	Battery Cable	1
64	T1010601	Nut	
65	T1106001	Washer	
66	T0910603	Screw	
67	T5200001	Battery	1
68	R3430150	Plate	1
70	R3430130	Discharge Protection	1
71	T0910411	Screw	3
72	R3430100	Discharge Hose	1

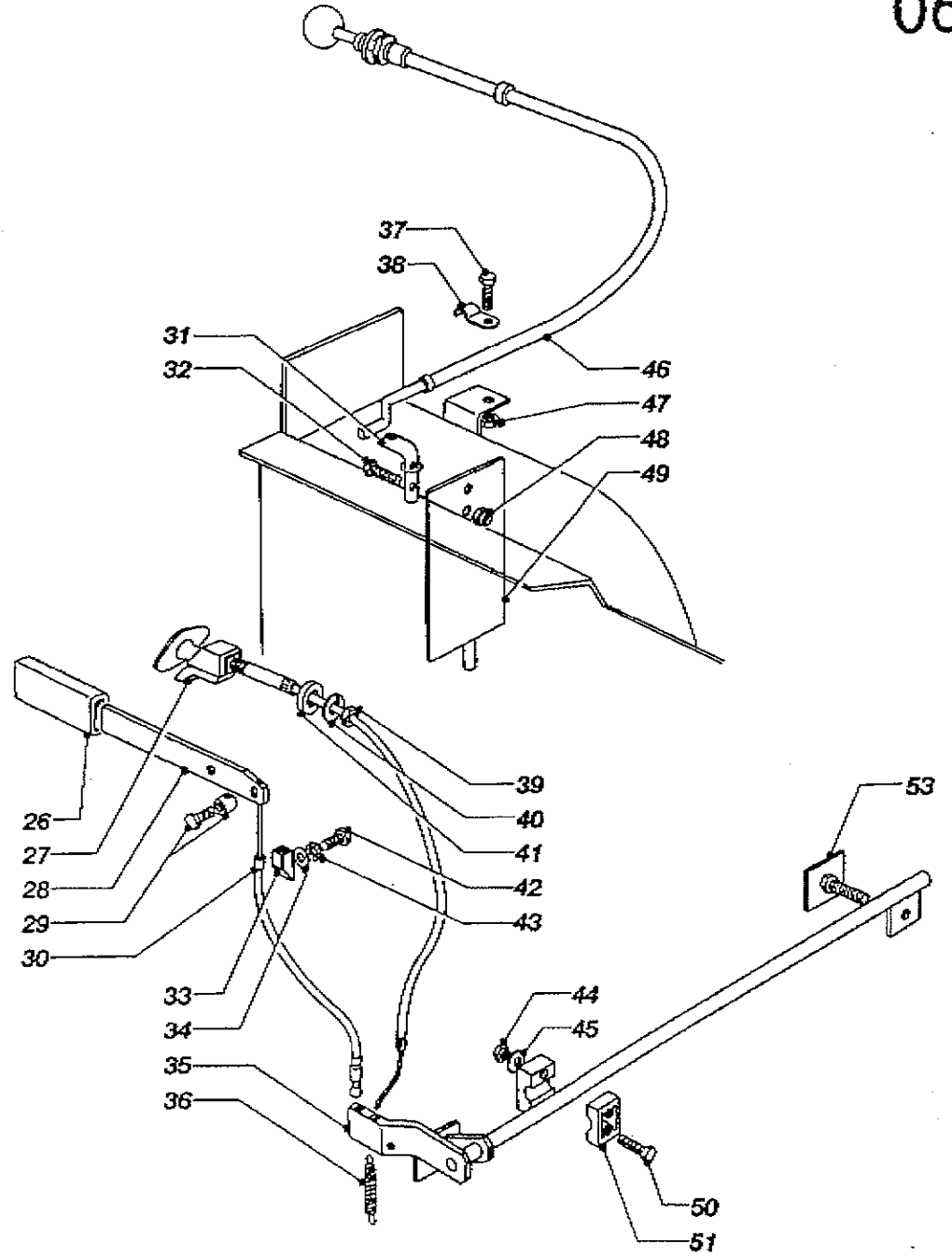
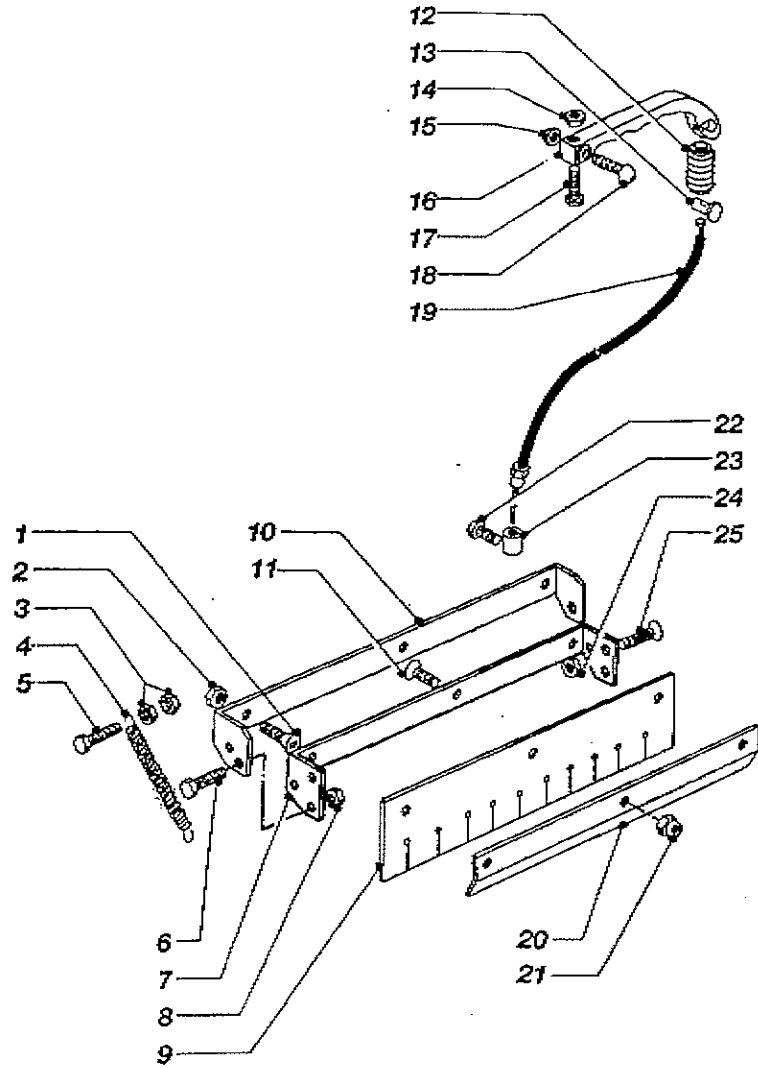
MAY/01/2009/FRI 11:16 PM

13/17

20326

06

P. 013



14/17

28B & C

DRAWING 06

ITEM	PART NUMBER	DESCRIPTION	QTY.
1	T0980603	Screw	
2	T1020501	Nut	
3	T1020501	Nut	
4	E9220010	Spring	1
5	T0910502	Screw	
6	T0910502	Screw	
7	R3441070	Frame	1
8	T1020501	Nut	
9	R3441010	Front Flap	1
10	R3441060	Frame	1
11	T0980603	Screw	
12	E7401010	Bellows	1
13	T4802003	Cable Holder	1
14	T1020602	Nut	
15	T1020602	Nut	
16	R3147030	Lever	1
17	T0910605	Screw	
18	T0990603	Screw	
19	R3141130	Flap Lifting Cable	1
20	R3441030	Metal Strip	1
21	T1020501	Nut	
22	T0910412	Screw	
23	T4802001	Holdfast	1
24	T1020501	Nut	
25	T0980603	Screw	
26	T4100009	Knob	1

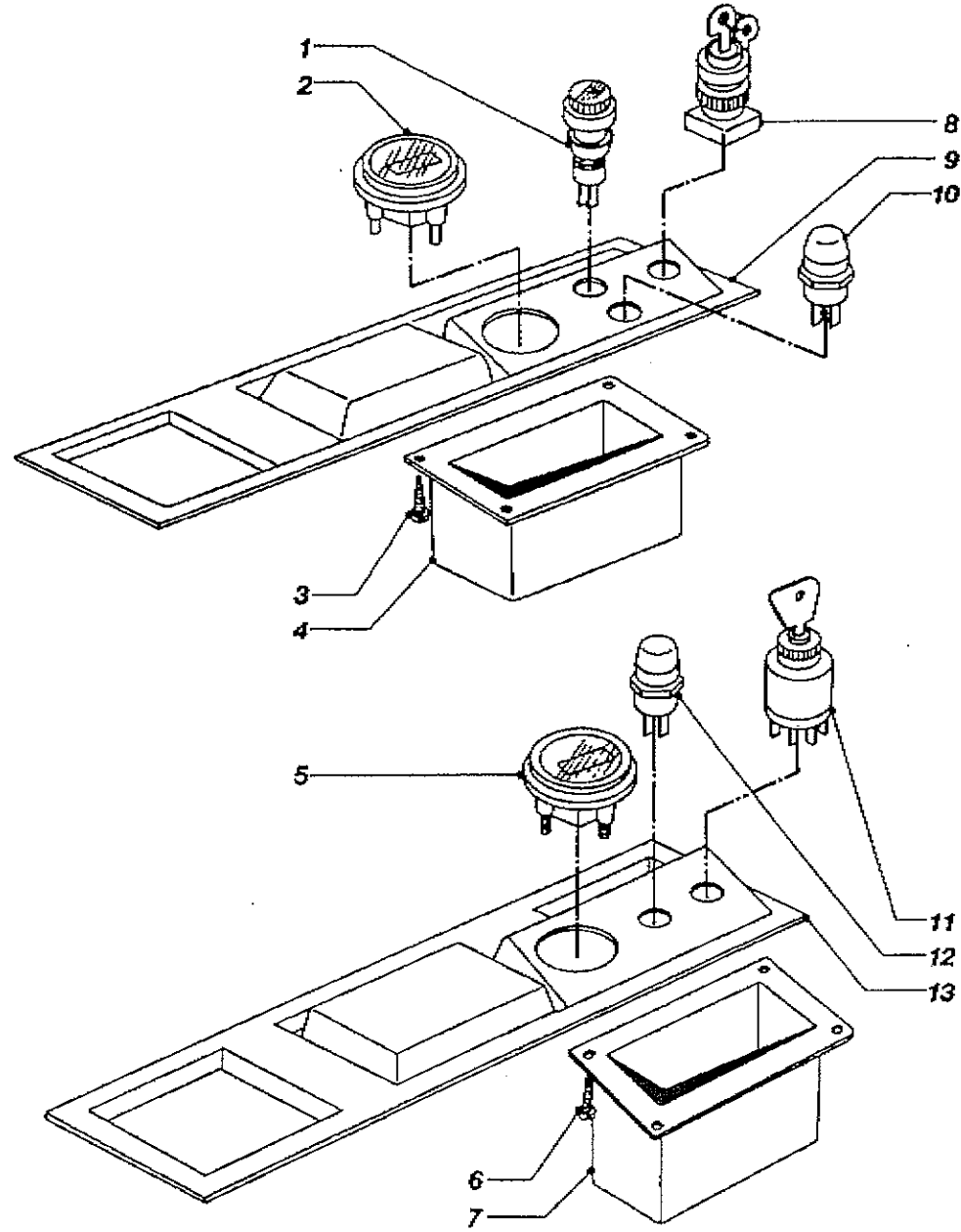
ITEM	PART NUMBER	DESCRIPTION	QTY.
27	R3128100	Brake Cable	1
28	R3118020	Lever	1
29	T4802005	Holdfast	1
30	R3128110	Brake Cable	1
31	R3141140	Port Pin	1
32	T0910301	Screw	
33	R3147050	Cover	1
34	T1105001	Washer	
35	R3318010	Shaft	1
36	E9220110	Spring	1
37	T0910401	Screw	
38	T4220011	Clamp	1
39	T101205	Nut	
40	T1312002	Washer	
41	T1112004	Washer	
42	T0910512	Screw	
43	T1308001	Washer	
44	T1020601	Nut	
45	T1106001	Washer	
46	R3141160	Cable, Vac Interrupt.	1
47	T1020401	Nut	
48	T1020301	Nut	
49	R3141150	Port	1
50	T0910605	Screw	
51	R0803060	Holdfast	4
53	R3118016	Adjustable Block	1

P. 014

MAY/01/2009/FRI 11:16 PM

15/17 28B-C

07



16/17

28B & G

DRAWING 07

ITEM	PART NUMBER	DESCRIPTION	QTY.
1	T2905001	Btry. Level Ind.-28B	1
2	T2904001	Hour Meter	1
3	T1060501	Nut	
	T0940507	Screw	
4	R3146030	Protection Box	1
5	T2904001	Hour Meter	
6	T1060501	Nut	
	T0940507	Screw	

ITEM	PART NUMBER	DESCRIPTION	QTY.
7	R3146030	Protection Box	1
8	T2199008	Key Switch-28B	1
9	R3441050	Control Panel-28B	1
10	T2199006	Button-28B	1
11	T2199007	Start Switch	1
12	T2199006	Button-28G	1
13	R3341010	Control Panel-28G	1

P. 016

MAY/01/2009/FRI 11:17 PM

HONDA ENGINE DISTRIBUTORS

17/17 28300

ALABAMA
R.W. DISTRIBUTORS INC.
SEE: MISSISSIPPI

ALASKA
SCOTSCO INC.
SEE: OREGON

ARKANSAS
R.W. DISTRIBUTORS INC.
SEE: MISSISSIPPI

ARIZONA
ARIZONA TRU-POWER
INC.
3851 E. Chipman Rd.
Flagstaff, AZ 86001
(602) 470-0522
FAX: (602) 470-0808

CALIFORNIA
TRIMMER OF FRESNO
4769 N. Ellythe
Fresno, CA 93712
(209) 271-0448
FAX: (209) 271-1794

SCOTSCO, INC.
8250 23rd Avenue
Sacramento, CA 95816
(916) 383-3511
FAX (916) 383-6915

TRU POWER
3221 San Fernando Rd.
Los Angeles, CA 90045
(213) 258-4111
FAX (213) 258-3376

**BLISS POWER LAWN EQ.
CO.**
181 Commerce Circle
Sacramento, CA 95815
(916) 925-6938
Fax (916) 925-5018

COLORADO
INDUSTRIAL POWER
SYSTEMS
3233 Oakland St.
Aurora, CO 80018
(303) 360-7119
Fax (303) 360-7519

CONNECTICUT
EASTERN EQUIPMENT
INC.
SEE NEW HAMPSHIRE

DELAWARE
R.C.S. DISTRIBUTING INC.
SEE MARYLAND

DISTRICT OF COLUMBIA
R.C.S. DISTRIBUTING INC.
SEE: MARYLAND

FLORIDA
ROBERTS SUPPLY, INC.
4293 Metric Drive
Winter Park, FL 32792
(407) 657-5555
FAX (407) 657-4007

GEORGIA
M.T.A. DISTRIBUTORS OF GEORGIA
555 Hickory Hills Blvd.
Nashville, TN 37189-9244
(615) 726-1225
FAX (615) 726-2158

HAWAII
SCOTSCO INC.
SEE: OREGON

IDAHO
NORTHWEST ENGINE DIST.
SEE: WASHINGTON

INDUSTRIAL POWER SYSTEMS
SEE: COLORADO

ILLINOIS
C.K. POWER PRODUCTS
CORP.
SEE: MISSOURI

POWER EQUIPMENT CO.
4121 Stephenie Drive
Cortland, IL 60112
(815) 754-4090
Fax (815) 754-4290

INDIANA
POWER EQUIPMENT CO.
SEE: ILLINOIS

IOWA
IOWA POWER PRODUCTS
520 Brooks Road
Iowa Falls, IA 50126
(515) 648-2507
FAX (515) 648-5013

KANSAS
Kansas City Power Products
90 S. James St.
Kansas City, KS 64118
(913) 321-7040
Fax (913) 321-7341

KENTUCKY
M.T.A. DISTRIBUTORS
SEE: TENNESSEE

HAYWARD DISTRIBUTING
SEE: OHIO

LOUISIANA
R.W. DISTRIBUTORS INC.
SEE: MISSISSIPPI

MAINE
EASTERN EQUIPMENT INC.
SEE: NEW HAMPSHIRE

MARYLAND
R.C.S. DISTRIBUTING INC.
8019 Doersey Run Rd.
Jessup, MD 20794
(410) 799-1850
Fax (410) 799-1804

MASSACHUSETTS
EASTERN EQUIPMENT INC.
SEE: NEW HAMPSHIRE

MICHIGAN
PLYMOUTH AIR COOLED EQ.
739 South Mill
Plymouth, MI 48170
(313) 453-8258
(313) 453-5320

ENGINE POWER INC.
SEE: WISCONSIN

MINNESOTA
GREAT NORTHERN EQ. DIST. INC.
218 N. Hazelwood Drive
Nisswa, MN 55458
(218) 963-2923
Fax (218) 963-3300

MISSISSIPPI
R.W. DISTRIBUTORS INC.
458 S. Pearson Rd.
Pearl, MS 39208
(601) 939-0204
Fax (800) 748-9985

MISSOURI
C.K. POWER PRODUCT CORP.
929th W. Flortanant
St. Louis, MO 63136
(314) 868-8620
Fax (314) 868-9314

**KANSAS CITY POWER
PRODUCTS**
SEE: KANSAS

MONTANA
NORTH CENTRAL DISTRIBUTING
SEE: South Dakota

NORTHWEST ENGINE DIST.
SEE: WASHINGTON

NEBRASKA
ANDERSON INDUSTRIAL ENGINES
5532 Center Street
Omaha, NE 68106
(402) 558-5700
Fax (402) 658-8249

NEVADA
BLISS POWER LAWN EQ. CO.
SEE: CALIFORNIA

TRU-CUT
SEE: CALIFORNIA

INDUSTRIAL POWER SYSTEMS
SEE: COLORADO

NEW HAMPSHIRE
EASTERN EQUIPMENT
INC.
23 LONDONDERRY Road
Londonderry, NH 03053
(603) 437-0407
Fax (603) 437-0815

NEW JERSEY
R.C.S. DISTRIBUTING
INC.
SEE: MARYLAND

NEW MEXICO
LIGHTBOURN EQUIPMENT
SEE: TEXAS (DALLAS)

NEW YORK
KREBEK
2425 Brighton Hearlets
Rochester, NY 14623
(716) 434-1660
Fax (716) 424-1117

LONG ISLAND, NY
EASTERN EQUIPMENT INC.
SEE: NEW HAMPSHIRE

NORTH CAROLINA
ENGINE DISTRIBUTION CENTER, INC.
7215 Cessna Drive
Greensboro, NC 27409
(910) 664-0010
Fax (910) 664-0546

NORTH DAKOTA
NORTH CENTRAL DISTRIBUTING
SEE: SOUTH DAKOTA

OHIO
HAYWARD DISTRIBUTING
4661 Perimeter Drive
Columbus, OH 43228
(614) 272-6953
Fax (614) 272-5859

PLYMOUTH AIR COOLED EQ.
SEE: MICHIGAN

OKLAHOMA
SMITH DISTRIBUTING CO.
230 Alliance Ct.
Oklahoma City, OK 73128
(405) 787-88043
Fax (405) 787-4538

OREGON
SCOTSCO INC.
13101 SE 64 Avenue, Suite B
Clackamas, OR 97015-9733
(503) 653-7791
Fax (503) 659-7834

PENNSYLVANIA
PAUL B. NOYER & SONS, INC.
190 S Clinton Street
Doylestown, PA 18901
(215) 348-3270
Fax (215) 348-7651

**PUERTO RICO/
VIRGIN ISLANDS**
BELLA INTERNA-
TIONAL
65 Industria KM 1.2
Ri0 Piedras, PR 00919
(809) 250-3070
Fax (809) 250-4202

RHODE ISLAND
EASTERN
EQUIPMENT INC.
SEE: NEW
HAMPSHIRE

SOUTH CAROLINA
NORTH CENTRAL
DISTRIBUTION
CENTER
SEE: NORTH
CAROLINA

SOUTH DAKOTA
NORTH CENTRAL DISTRIBUTING
777 Deadwood Avue.
Rapid City, SD 577022
(605) 343-4777
Fax (605) 348-8984

TENNESSEE
M.T.A. DISTRIBUTORS
555 Hickory Hills Blvd.
Nashville, TN 37189-9244
(615) 299-8777
Fax (615) 299-4164

TEXAS
LIGHTBOURN EQUIPMENT CO.
13649 Bet Road
Dallas, TX 75244
(972) 233-5151
Fax (972) 661-0738

LIGHTBOURN EQUIPMENT CO.
8272 El Rio, Suite 10
Houston, TX 77054
(713) 741-2003
Fax (713) 741-1909

UTAH
INDUSTRIAL POWER SYSTEMS
SEE: COLORADO

VERMONT
EASTERN EQUIPMENT INC.
SEE: NEW HAMPSHIRE

VIRGINIA
R.C.S. DISTRIBUTING INC.
SEE: MARYLAND

TIDEWATER POWER EQ. CO.
5721 BaySide Rd., Suite D
Virginia Beach, VA 23455
(757) 464-1755
Fax (800) 288-8953

WASHINGTON
NORTHWEST ENGINE
DIST.
N. 1403 Greene #8
Spokane, WA 99201
(509) 534-8898
Fax (509) 534-5170

SCOTSCO INC.
SEE: OREGON

WEST VIRGINIA
R.C.S. DISTRIBUTING
INC.
SEE: MARYLAND

WISCONSIN
ENGINE POWER INC.
1830 Kazzette Drive
P.O. Box 66
Oconomowoc, WI 53066
(414) 567-8575
Fax (414) 567-2556

WYOMING
NORTH CENTRAL
DISTRIBUTING
SEE: SOUTH DAKOTA

**INDUSTRIAL POWER
SYSTEMS**
SEE: COLORADO

AMERICAN HONDA MOTOR CO., INC
4475 River Green Pkwy.
Duluth, GA 30136
(770) 497-6080
Fax (770) 497-6011

Contact the closest Honda Engine Distributor to find out the available servicing Distributor in your area.

P. 017

MAY/01/2009/FRI 11:17 PM

28BAG

WARRANTY POLICY

PACIFIC STEAMEX INC. LIMITED WARRANTY

The Pacific Steamex Inc. Sweeper has been manufactured, tested and inspected in accordance with specific engineering requirements. This machine is **WARRANTED** to be free from defects in workmanship and materials for periods as follows from the date of purchase.

Two (2) years – Honda Engine on the 28G, for Engine Warranty Repair refer to the nearest Honda Distributor on the previous page.

One (1) Year – All components unless excluded below

This warranty extends to the original user/purchaser and only when used, operated and maintained in accordance with Pacific Steamex Inc. Operating and Maintenance instructions.

This warranty does not apply to certain wear parts and accessories of the machine such as the floor brushes, belts, etc., nor does it apply to damage or failure caused by improper use, abuse or neglect. Warranty credit or replacement of return parts is subject to incoming inspection of those items.

To secure repair under this warranty, the following procedure should be taken:

1. The inoperative machine or warranted parts must be delivered to the authorized dealer with shipping and delivery charges prepaid. If unable to locate the Dealer, you may contact Pacific Steamex Inc. at the address listed herein for the location of the nearest Pacific Steamex Inc. repair center or agent or for other instructions pertaining to your warranty difficulty.
2. Upon compliance with the above warranty procedure, all warranted repairs will be completed at no additional charge or cost to the user.
3. Only Pacific Steamex Inc. or its authorized dealers and agents may make no charge warranty repairs on this product. All others do so at their own risk.

This warranty limits Pacific Steamex Inc. liability to the repair of the product and/or warranted parts replacement and does not include incidental or consequential damages arising from the use of a Pacific Steamex Inc. machine whether defective or not.

BATTERY WARRANTY FOR THE 28B

In addition to the terms above, any original equipment Pacific Steamex Battery which becomes unserviceable under normal use within a period of ninety (90) days from date of sale to the original user will be repaired or replaced with one of equal specification at our option, F.O.B. any authorized Pacific Steamex Sales or Service Branch, with no charge to user, except transportation costs. After the expiration of the above ninety (90) day period, any battery which fails under normal use will be adjusted to the original user with a new battery of equal specification on a twelve (12) month pro rata basis from the date of purchase. Adjustment will be determined using the then current list price, plus transportation costs. Warranty is rendered null and void if battery is not kept filled to the proper level with DISTILLED WATER.

ENGINE WARRANTY FOR THE 28G

For Engine Warranty repair deliver the machine to the nearest Honda Warranty Service Center (see previous page).

This warranty is in lieu of all other expressed or implied warranties and is extended to the original purchaser/user.

PACIFIC STEAMEX, INC.
 2259 S. SHERIDAN
 MUSKEGON, MICHIGAN 49442-6252
 616-773-1330
 FAX 1-616-773-1642