



## Electronic Service Manuals

This electronic document is provided as a service to our customers. We do not create the contents of the information contained in this document. Should you have detailed questions pertaining to the information contained in this document, you may contact Michco, or the manufacturer which provided the original information in this electronic deliverable. Michco's only part in this electronic deliverable was the electronic assembly process. By providing this manual on line we are not guaranteeing parts availability.

You may contact Michco through the following methods:

Phone (517) 484-9312 or (800) 331-3339

2011 N. High St. -- Lansing, Michigan -- 48906

Fax: (517) 484-9836

Email: [CustServe@Michco.com](mailto:CustServe@Michco.com)

Web site: [www.Michco.Com](http://www.Michco.Com)

Parts Web site: [www.FloorMachineParts.Com](http://www.FloorMachineParts.Com)

Order Parts on Line at:

**[www.FloorMachineParts.Com](http://www.FloorMachineParts.Com)**

Directly to Parts & Service:

By Email: **[Shop@Michco.com](mailto:Shop@Michco.com)**

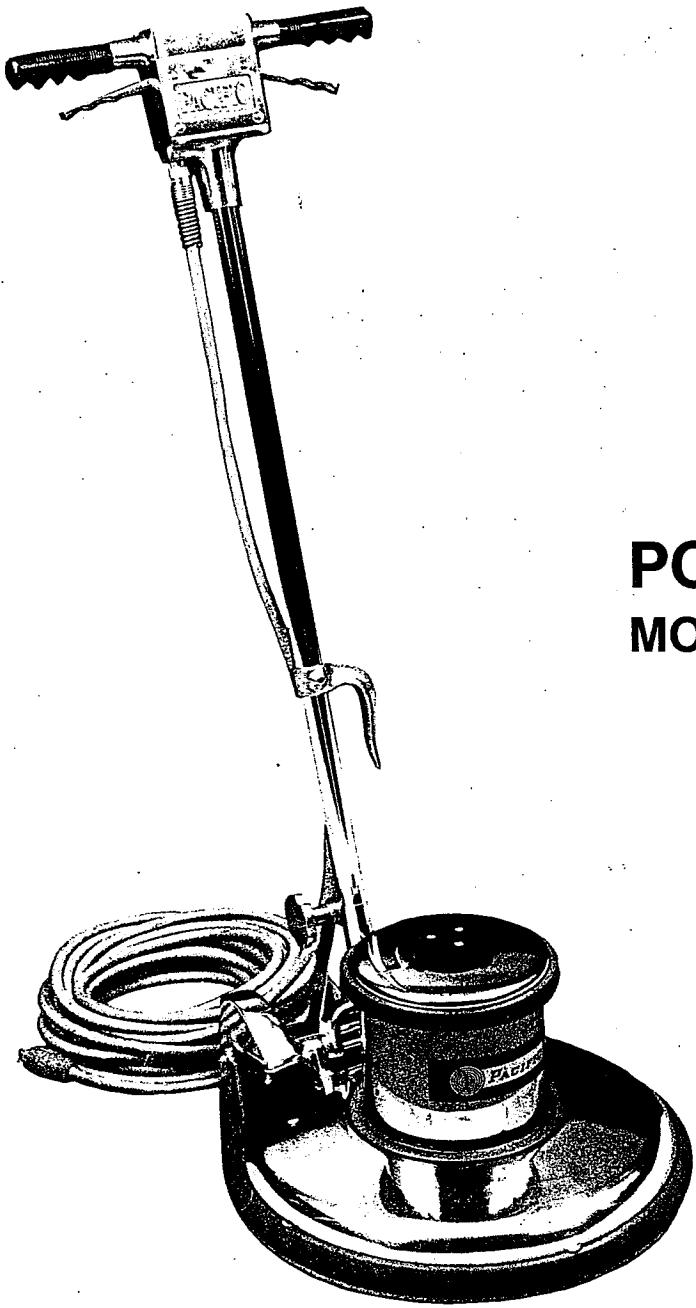
By Fax: (517) 702-2041

By Voice: Use numbers above.

**Serving the Cleaning Industry Since 1922**

Notice: All copyrighted material remains property of original owners, all trademarks are property of respective owners. Manuals are subject to Manufacturer's reproduction limitations. Originals or reproductions were provided by manufacturers through a request. We make no warranty as to the correctness of information provided in this document and you assume all risk. By placing these manuals on line we are not declaring our corporation to be an manufacturer authorized dealer or provider, please check our web site for authorized manufacturers we represent.

10/90



# POLISHERS

MODELS PCP-13, 15, 17, & 20  
PHS-17AC, 19AC, & 20DC  
15P, 17P, 19P, 21, 23, 17HSP,  
& 19HSP

## Operating & Maintenance Instructions

### Introduction

#### READ THIS BOOK

This operator's book has important information for the use and safe operation of this machine. Read this book carefully before starting the machine. Keep this book and tell all operators to read the book. If you do not follow the instructions, you can cause an injury, or damage equipment, furniture or buildings.

All directions given in this book are as seen from the operator's position at the rear of the machine.

For new books, write to **PACIFIC STEAMEX CLEANING SYSTEMS, INC.**  
2259 S. Sheridan, Muskegon, MI 49442-6252

Carefully inspect all components to insure that there is no concealed freight damage. If such damage is discovered, file a "CONCEALED DAMAGE REPORT" immediately with the delivering carrier.

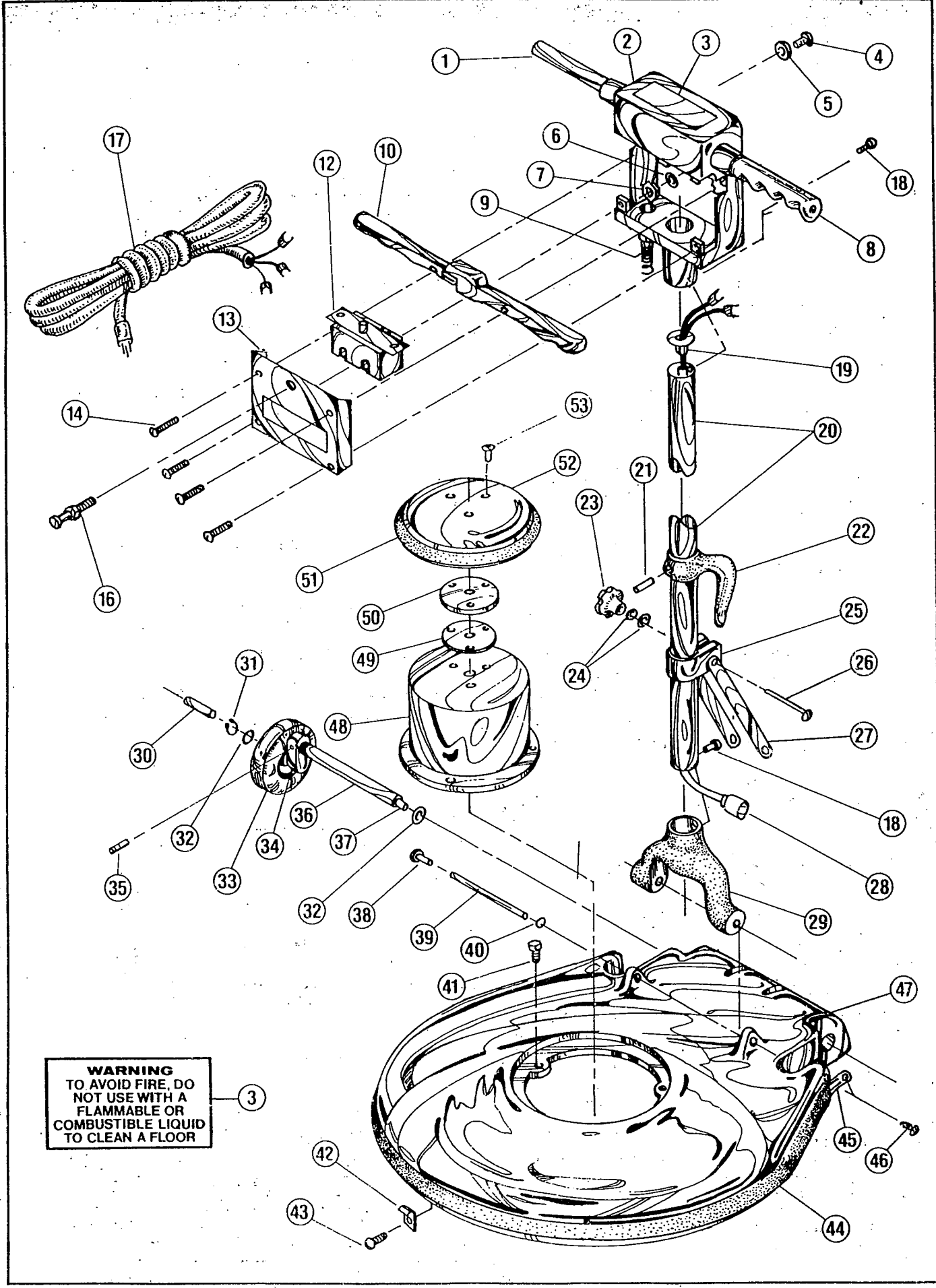
The contents of the Manual are based on the latest product information available at the time of publication. Pacific Steamex reserves the right to make changes or improvements to its machines without notice.

FOR YOUR CONVENIENCE, RECORD THE MACHINE MODEL AND SERIAL NUMBERS HERE:

MODEL \_\_\_\_\_

SERIAL \_\_\_\_\_

10/90



**WARNING**  
TO AVOID FIRE, DO NOT USE WITH A FLAMMABLE OR COMBUSTIBLE LIQUID TO CLEAN A FLOOR

# MODELS — 15P, 17P, 19P, 21, 23, 17HSP, 19HSP, PHS-17AC, & PHS-19AC

ITEM	PART NO.	DESCRIPTION	QTY.
1	505720	6" Handle Nipple	2
2	501320	Switch Box - Polished	1
	501322	Switch Box - Painted	1
3	506310	Label Warning	1
4	962003	Screw - Handle Bumper	1
5	501210	Handle Bumper	1
6	980001	Flat Washer - Handle Bumper	1
7	920002	Nut - Handle Bumper	1
8	503710	Handle Grips	2
9	508520	Strain Relief Complete	1
10	505120	Switch Lever - Right	1
11	505121	Switch Lever - Left	1
12	508020	Switch	1
13	506420	Switch Plate Cover - Polished	1
	506421	Switch Plate Cover - Painted	1
14	962011	Switch Plate Lever Screws	2
15	962002	Switch Plate Bottom Screws	2
16	504810	Lock - Assembly Switch	1
17	502420	14/3-50' Cord Set	1
18	962006	Handle Screws	3
19	503320	Flange Strain Relief	1
20	509080	Handle Tube 35-1/2"	1
21	962005	Cord Hook Set Screw	1
22	504420	Cord Hook	1
23	505010	Turn Knob	1
24	980003	Washers - Turn Knob	2
25	502021	Handle Clamp	1
26	962009	Bolt - Turn Knob	1
27	500820	Braces	2
28	908002	Handle Cord Assembly	1
29	509920	Yoke	1
30	507723	Wheel Axle - Kick Up	2
31	507320	Wheel Snap Ring	2
32	509820	Wheel Fibre Washer	4
33	509780	Wheels - 4" - 15" & 17"	2
	509781	Wheels - 5" - 19", 21" & 23"	2
34	504421	Wheel Hinge	2
35	925002	Wheel Hinge Pin	2
36	508221	Spacer - Wheel Shaft—15", 17" & 19"	2
	508260	Spacer - Wheel Shaft—21" & 23"	1
37	507722	Wheel Axle Shaft—15", 17" & 19"	1
	507760	Wheel Axle Shaft 21" & 23"	1
38	962006	Yoke Rod Screw	1

ITEM	PART NO.	DESCRIPTION	QTY.
39	507480	Yoke Rod	1
40	507310	Yoke Rod Snap Ring	1
41	962010	Motor Bolts	4
42	502110	Bumper Clip	3
43	962001	Screw - Bumper Clip	3
44	501220	Base Bumper 15"	1
	501240	Base Bumper 17"	1
	501260	Base Bumper 21"	1
	501270	Base Bumper 23"	1
	501281	Base Bumper 19"	1
45	508021	Bumper Strap 15"	1
	508040	Bumper Strap 17"	1
	508060	Bumper Strap 21"	1
	508070	Bumper Strap 23"	1
	508080	Bumper Strap 19"	1
46	962015	Screw - Bumper Strap	2
47	501820	Base Casting - 15" Polished	1
	501824	Base Casting - 15" Painted	1
	501840	Base Casting - 17" Polished	1
	501844	Base Casting - 17" Painted	1
	501850	Base Casting - 19" Polished	1
	501854	Base Casting - 19" Painted	1
	501860	Base Casting - 21" Polished	1
	501870	Base Casting - 23" Polished	1
	48	505230	Motor & Gear Asm. - .5HP 56FR-115V-175RPM
505242		Motor & Gear Asm. - .75HP 56FR-115V-175 RPM	1
505252		Motor & Gear Asm. - 1HP 56FR-115V-175 RPM	1
505260		Motor & Gear Asm. - 1.5HP 66FR-115V-175 RPM	1
505241		Motor & Gear Asm. - 1.5HP 66FR-115V-300 RPM	1
49	509822	Felt Washer	1
50	508210	Spacer - Drip Cover - 56FR. Motor	1
	508220	Spacer - Drip Cover - 66FR. Motor	1
51	501212	Motor Bumper - 56FR. Motor	1
	501280	Motor Bumper - 66FR. Motor	1
52	502310	Drip Cover - 56FR. Motor - Plated	1
	502318	Drip Cover - 56FR. Motor - Painted	1
	502380	Drip Cover - 66FR. Motor - Plated	1
	502381	Drip Cover - 66FR. Motor - Painted	1
53	962019	Screw - -10-32 x 5/8 Pan Hd	3

**NOTE: Refer to the Pacific Steamex Motor Replacement Parts Sheets (Form #505605) for all Motor and Gear Unit Service Replacement Parts.**