



## Electronic Service Manuals

This electronic document is provided as a service to our customers. We do not create the contents of the information contained in this document. Should you have detailed questions pertaining to the information contained in this document, you may contact Michco, or the manufacturer which provided the original information in this electronic deliverable. Michco's only part in this electronic deliverable was the electronic assembly process. By providing this manual on line we are not guaranteeing parts availability.

You may contact Michco through the following methods:

Phone (517) 484-9312 or (800) 331-3339

2011 N. High St. -- Lansing, Michigan -- 48906

Fax: (517) 484-9836

Email: [CustServe@Michco.com](mailto:CustServe@Michco.com)

Web site: [www.Michco.Com](http://www.Michco.Com)

Parts Web site: [www.FloorMachineParts.Com](http://www.FloorMachineParts.Com)

Order Parts on Line at:

**[www.FloorMachineParts.Com](http://www.FloorMachineParts.Com)**

Directly to Parts & Service:

By Email: **[Shop@Michco.com](mailto:Shop@Michco.com)**

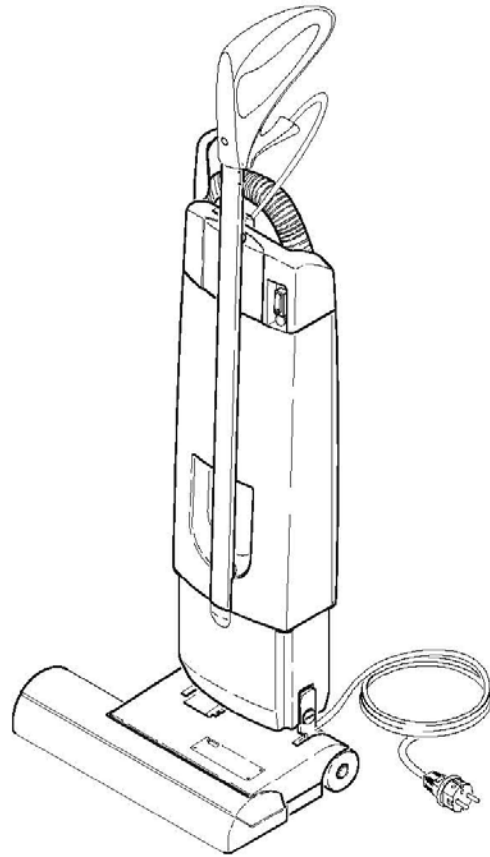
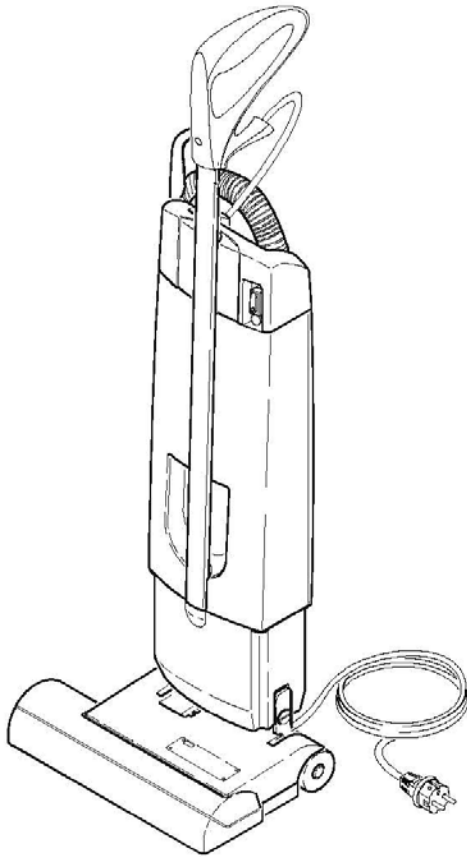
By Fax: (517) 702-2041

By Voice: Use numbers above.

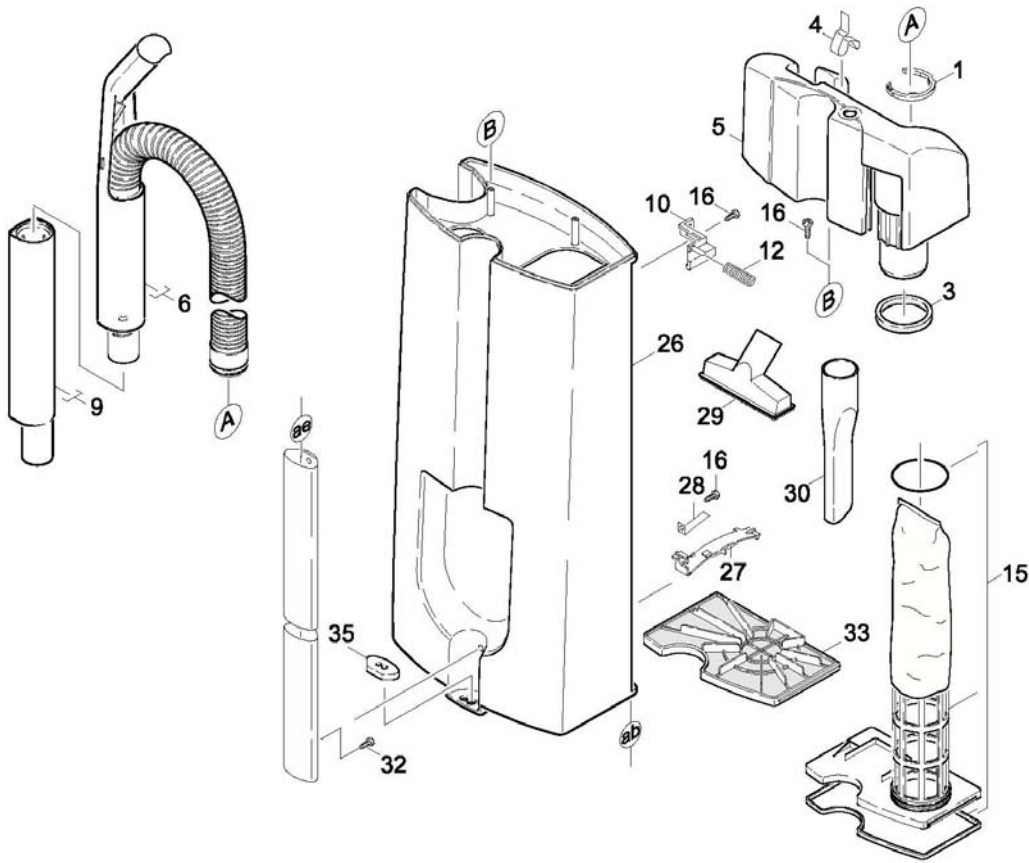
**Serving the Cleaning Industry Since 1922**

Notice: All copyrighted material remains property of original owners, all trademarks are property of respective owners. Manuals are subject to Manufacturer's reproduction limitations. Originals or reproductions were provided by manufacturers through a request. We make no warranty as to the correctness of information provided in this document and you assume all risk. By placing these manuals on line we are not declaring our corporation to be an manufacturer authorized dealer or provider, please check our web site for authorized manufacturers we represent.

PARTS LIST  
**PACER 214 UE**  
**PACER 218 UE**

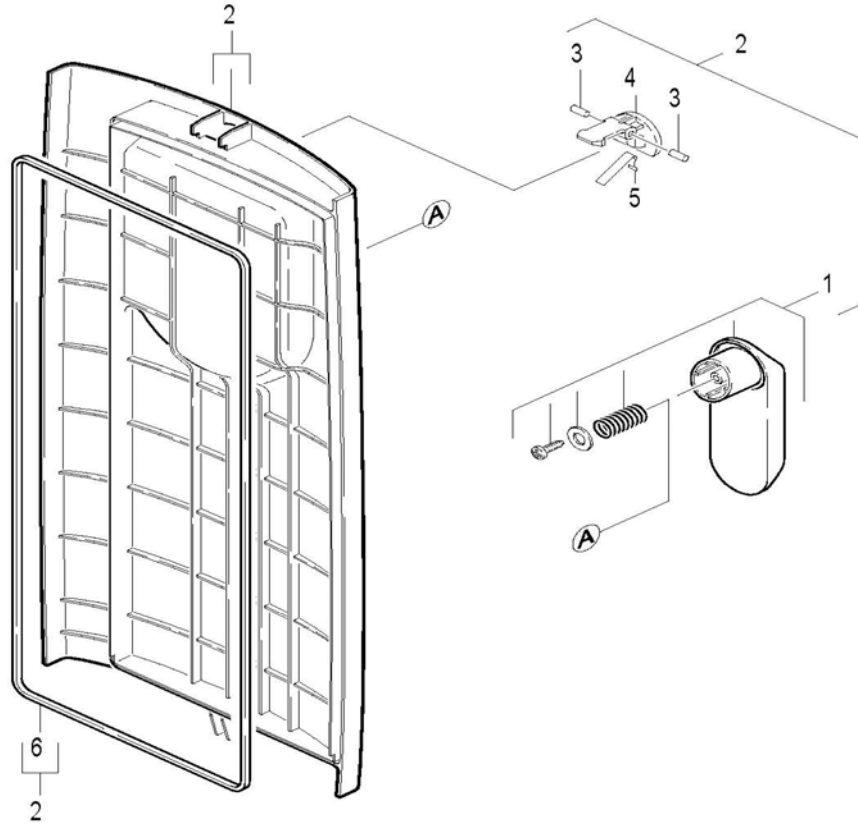


## TOP PART



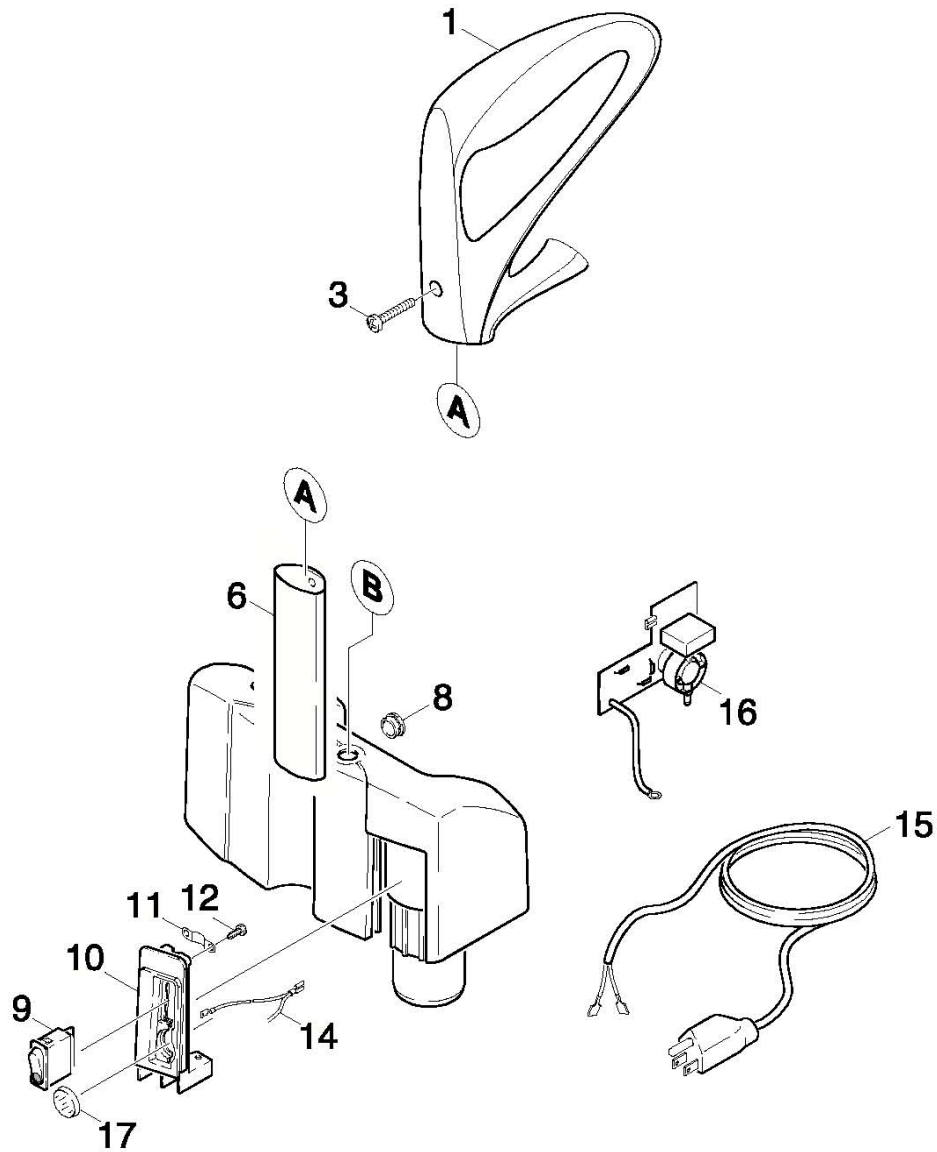
<b>ITEM</b>	<b>PART NO.</b>	<b>PART DESCRIPTION</b>	<b>QTY.</b>
1	6890011	RETAINING SPRING	1
3	6890101	SEAL - TANK	1
4	6890081	CLIP - UPHOLSTERY TOOL (SPRING)	1
5	7292511	HOUSING - TOP WITH HOLES FOR LIGHT - BLACK	1
6	6890051	SUCTION HOSE WITH UPPER TUBE HANDLE	1
9	6890031	LOWER SUCTION TUBE	1
10	6890121	SAFETY STOP	1
12	6890131	HELICAL SPRING - SAFETY STOP	1
15	6890171	MICROFILTER	1
15	6892011	MICROFILTER 5 - PACK	1
16	7292711	M4.0 X 12 OVAL HEAD SCREW	6
26	7292521	HOUSING - LOWER - BLACK	1
27	6890141	BRACKET	1
28	6890151	SPRING - COMPRESSION	1
29	6890251	UPHOLSTERY NOZZLE	1
30	6890261	CREVICE TOOL	1
32	7293071	M4 X 10 SCREW	7
33	6890161	FILTER - SAFETY	1
35	6890961	SEAL - STOP - HANDLE TUBE	1

# COVER



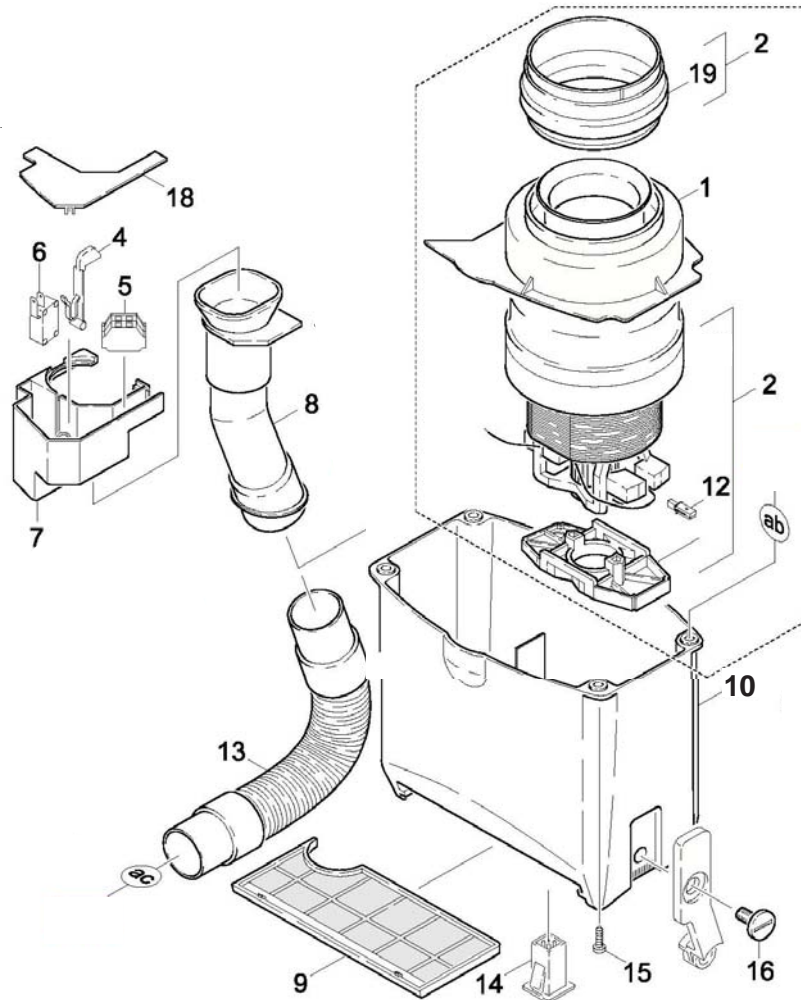
<u>ITEM</u>	<u>PART NO.</u>	<u>PART DESCRIPTION</u>	<u>QTY.</u>
2	6892021	DOOR WITH LATCH, SEAL, AND HANDLE - BLACK - COMPLETE - INCLUDES:	1
1	6890181	DOOR HANDLE ASSEMBLY	1
3	6890201	PIN - GROOVED - LATCH	2
4	6890191	LATCH - TANK DOOR	1
5	6890211	SPRING - LATCH	1
6	6890231	SEAL - TANK DOOR	1

# HANDLE



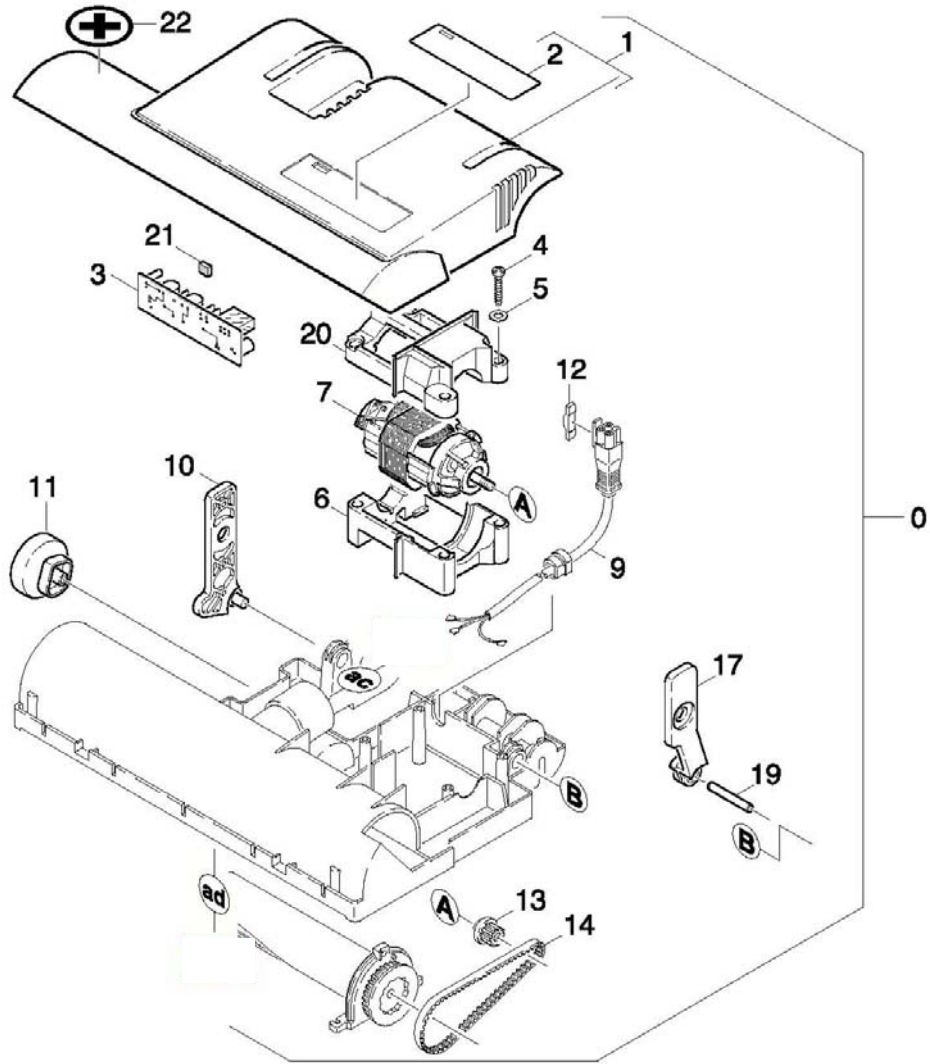
<u>ITEM</u>	<u>PART NO.</u>	<u>PART DESCRIPTION</u>	<u>QTY.</u>
1	7190311	HANDLE COMPLETE	1
3	7190551	M5 X 40 SCREW	1
6	7292681	HANDLE - TUBE	1
8	7292931	RUBBER BUSHING	1
9	7292921	SWITCH - ON / OFF	1
10	7292881	PLATE - SWITCH AND LIGHT	1
11	7293061	WIRE RETAINER	1
12	7293081	M3.5 X 13 SCREW	2
14	7292241	BAG FULL LED - 120 VOLT	1
14	7292661	BAG FULL LED - 240 VOLT	1
15	7292941	POWER CORD - 120 VOLT	1
15	6890371	POWER CORD - 100 VOLT / 240 VOLT	1
16	7292601	BRUSH P. C. BOARD - 120 VOLT - HANDLE ASSEMBLY	1
16	7291261	BRUSH P. C. BOARD - 240 VOLT - HANDLE ASSEMBLY	1
17	7292231	LENS - BAG FULL LIGHT	1

# MOTOR



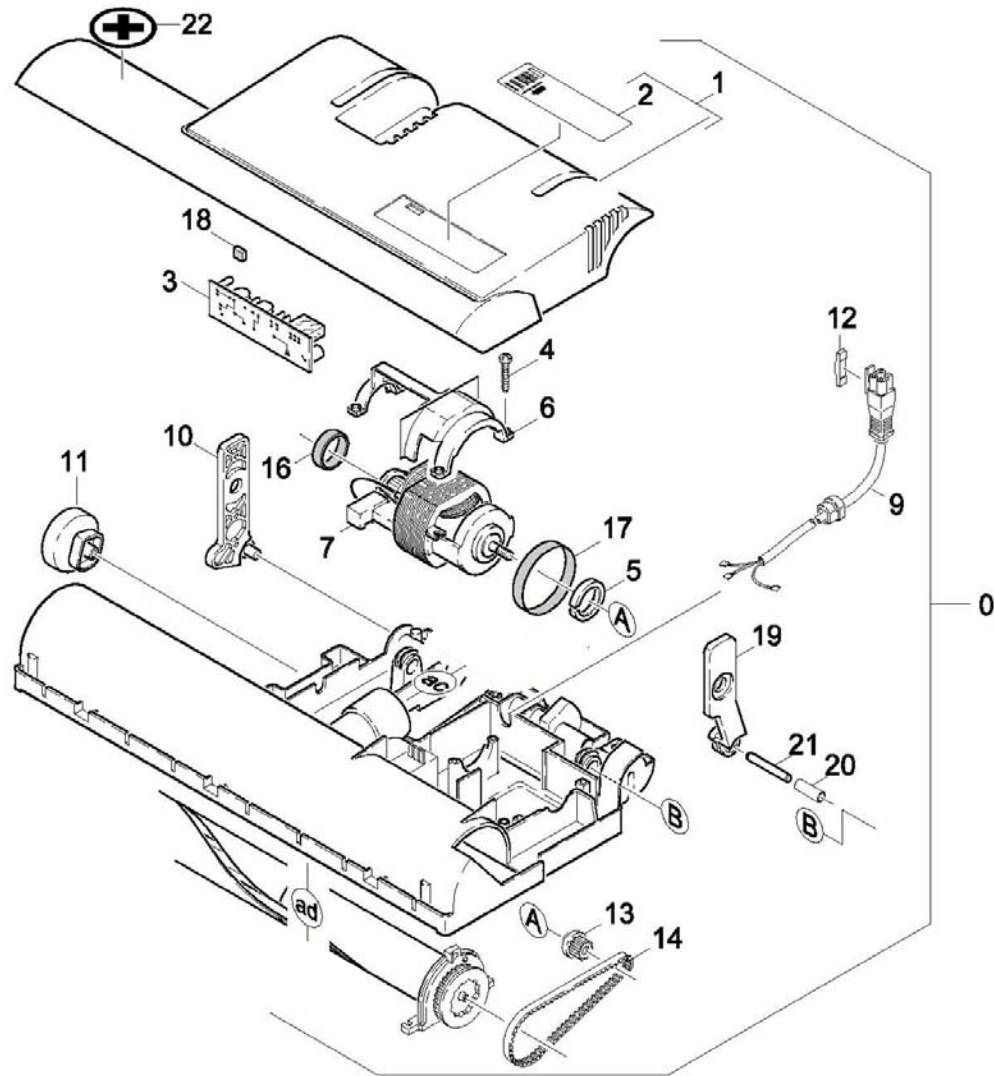
<u>ITEM</u>	<u>PART NO.</u>	<u>PART DESCRIPTION</u>	<u>QTY.</u>
1	7292111	SEAL - VAC MOTOR	1
2	7292311	VAC MOTOR COMPLETE 115 VOLT - INCLUDES:	1
3	7292321	MOTOR SUPPORT	1
19	7292331	INTERMEDIATE RING	1
12	7190431	CARBON BRUSH SET - 120 VOLT	1
2	7292641	VACUUM MOTOR - 240 VOLT COMPLETE - INCLUDES:	1
3	7292321	MOTOR SUPPORT	1
19	7292331	INTERMEDIATE RING	1
12	7292631	CARBON BRUSH SET - 240 VOLT	1
4	6890551	BRACKET - MICRO SWITCH	1
5	6890561	TERMINAL BLOCK	1
6	6890541	MICRO SWITCH	1
7	6890531	COVER - CONNECTING TUBE - 120 VOLT	1
7	7292611	COVER - CONNECTING TUBE - 240 VOLT	1
8	6890521	TUBE - HOSE CONNECTION	1
9	6890471	FILTER - EXHAUST	1
10	6890481	HOUSING - VAC MOTOR - 120 VOLT	1
10	7292621	HOUSING - VAC MOTOR - 240 VOLT	1
13	6890501	HOSE - BRUSH HEAD - VAC HOUSING	1
14	6890491	ELECTRIC PLUG - FEMALE RECEPTACLE	1
15	6891081	M5 X 16 OVAL HEAD SCREW	4
16	6890711	M8 X 13 SCREW	2
18	6890571	PLATE - TUBE COVER	1

## BRUSH HEAD - TOP - 214



<u>ITEM</u>	<u>PART NO.</u>	<u>PART DESCRIPTION</u>	<u>QTY.</u>
0	7292561	BRUSH HEAD ASSEMBLY - BLACK - 120 VOLT - INCL. BOTH TOP AND BOTTOM	1
0	7292651	BRUSH HEAD ASSEMBLY - BLACK - 240 VOLT - INCL. BOTH TOP AND BOTTOM	1
1	7292541	TOP COVER - BLACK	1
2	7292551	DECAL - PACER	1
3	6890611	P. C. BOARD - BRUSH HEAD - 120 VOLT	1
3	6890621	P. C. BOARD - BRUSH HEAD - 240 VOLT	1
4	7292701	M4 X 16 OVAL HEAD SCREW	4
5	6891111	M4.3 WASHER	4
6	6890631	MOTOR GUARD - BOTTOM	1
7	6890641	BRUSH MOTOR - 120 VOLT	1
7	6890661	BRUSH MOTOR - 240 VOLT	1
9	7292841	CORD - BRUSH MOTOR	1
10	6890691	SUPPORT ARM - INTERNAL PIN - RIGHT	1
11	6890721	KNOB - HEIGHT ADJUSTMENT	1
12	6891181	PLUG RETAINING FINGER	1
13	6890731	PULLEY - BRUSH MOTOR	1
14	6890741	BELT - TIMING	1
17	7292991	SUPPORT ARM - LEFT	1
19	7292191	AXLE	1
20	6890941	MOTOR GUARD - TOP	1
21	7292591	RUBBER BAND	1
22	7293391	DECAL - "DO NOT STEP ON"	1

## BRUSH HEAD - TOP - 218

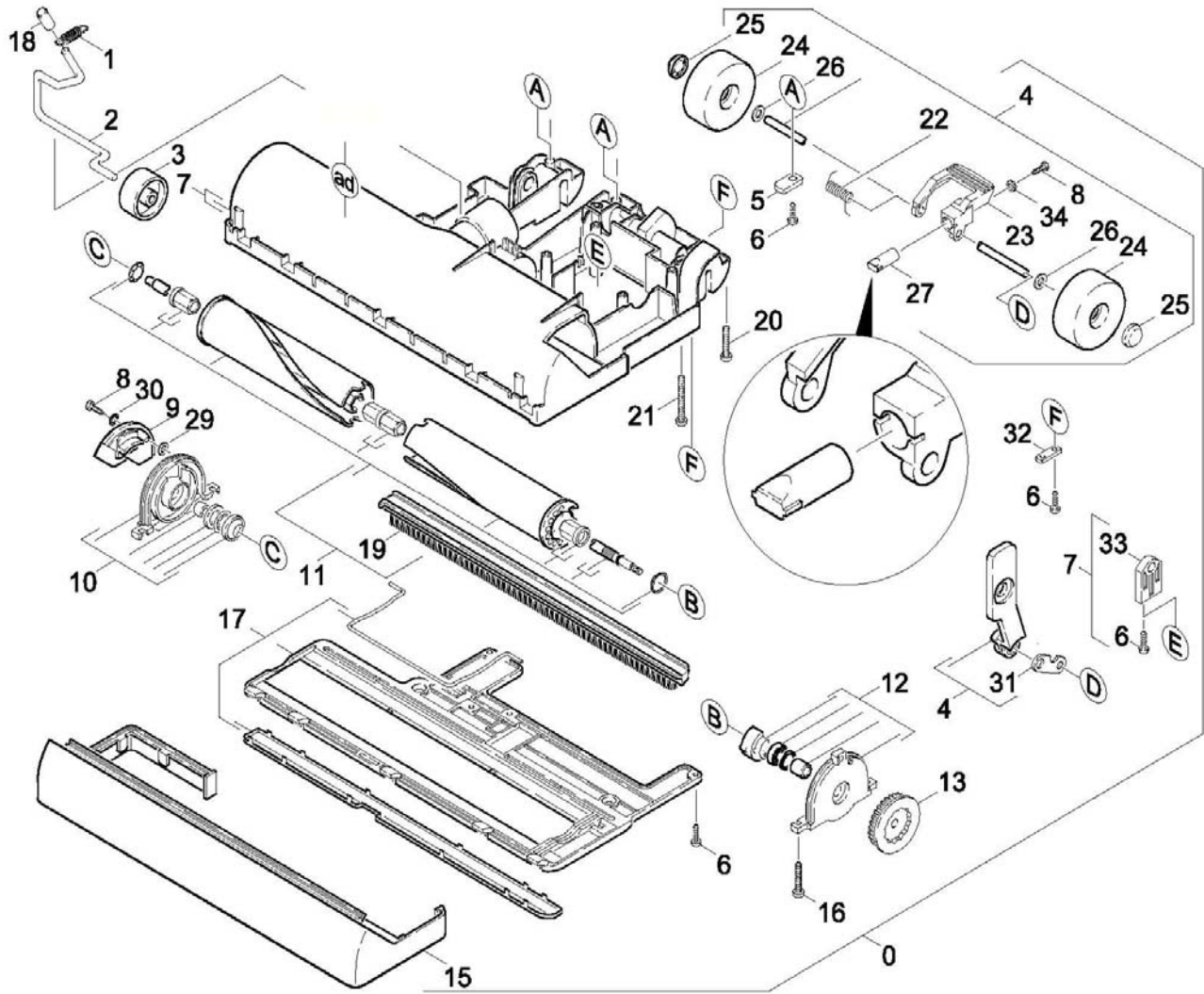


<b>ITEM</b>	<b>PART NO.</b>	<b>PART DESCRIPTION</b>	<b>QTY.</b>
0	7292571	BRUSH HEAD ASSEMBLY - BLACK - INCLUDES BOTH TOP AND BOTTOM	1
1	7292581	COVER - TOP - BLACK	1
2	7292551	DECAL - PACER	1
3	6890611	P. C. BOARD - BRUSH HEAD	1
4	7292701	M4 X 16 OVAL HEAD SCREW	4
5	7293161	RING	1
6	7293171	MOTOR GUARD - BOTTOM	1
7	7293181	BRUSH MOTOR - 115 VOLT	1
9	7292841	CORD - BRUSH MOTOR	1
10	6890691	SUPPORT ARM - INTERNAL PIN - RIGHT	1
11	6890721	KNOB - HEIGHT ADJUSTMENT	1
12	6891181	PLUG RETAINING FINGER	1
13	6890731	PULLEY - BRUSH MOTOR	1
14	7293201	BELT - 8 mm	1
16	7293211	SMALL RING - JOINT	1
17	7293221	LARGE RING - JOINT	1
18	7292591	RUBBER BAND	1
19	7292991	SUPPORT ARM - LEFT	1
20	7293231	BUSHING	1
21	7293241	AXLE	1
22	7293391	DECAL - "DO NOT STEP ON"	1

## **BRUSH HEAD - BOTTOM - 214**

<b><u>ITEM</u></b>	<b><u>PART NO.</u></b>	<b><u>PART DESCRIPTION</u></b>	<b><u>QTY.</u></b>
0	7292561	BRUSH HEAD ASSEMBLY - BLACK - 120 VOLT - INCL. BOTH TOP AND BOTTOM	1
0	7292651	BRUSH HEAD ASSEMBLY - BLACK - 240 VOLT - INCL. BOTH TOP AND BOTTOM	1
1	6890871	EXTENSION SPRING	1
2	6890851	LEVER - HEIGHT ADJUSTMENT	1
3	6890861	WHEEL - HEIGHT ADJUSTMENT	1
4	7293001	AXLE AND PEDAL ASSEMBLY	1
5	6890901	RETAINER CLIP - AXLE	2
6	7190521	M3.5 X 12 SCREW	1
7	7292831	HOUSING - BOTTOM BRUSH - 120 VOLT	1
7	7292671	HOUSING - BOTTOM BRUSH - 240 ONLY	1
8	7293091	M4 X 8 SCREW	2
9	6890791	COVER - END PLATE - 120 VOLT	1
9	7292691	COVER - END PLATE - 240 VOLT	1
10	6890801	END PLATE WITH BEARING - BRUSH END	1
11	6890761	ROLLER ASSEMBLY - BRUSH INCLUDES:	1
19	6890781	BRUSH STRIP - BLACK - STANDARD	1
19	6890771	BRUSH STRIP - RED - HARD (ACCESSORY)	1
12	6890811	END PLATE ASSEMBLY - PULLEY END	1
13	6890751	PULLEY - BRUSH	1
15	7292861	BUMPER	1
16	7292701	M4 X 16 OVAL HEAD SCREW	4
17	7292871	SHOE - BRUSH	1
18	6890881	BUSHING (SLEEVE)	1
20	6891081	M5 X 16 OVAL HEAD SCREW	1
21	7292211	M5 X 30 OVAL HEAD SCREW	3
22	7293031	SPRING - FOOT PEDAL	1
23	7293011	PEDAL - FOOT	1
24	6890911	WHEEL ONLY	2
25	6891131	LOCK WASHER	2
26	7292281	M6.4 I.D. X 11.7 O.D. X 16 THICK FLAT WASHER	2
27	7293021	SCREW - BRASS LOCKING @ PEDAL (BOLT)	1
29	7292261	M3 WASHER - PLASTIC	1
30	7292271	M4.4 EXTERNAL STAR LOCK WASHER	1
31	7292971	RETAINER CLIP - AXLE SUPPORT	1
32	7292961	RETAINER CLIP - AXLE - 2 HOLE PLATE	1
33	7292981	BEARING BLOCK - AXLE SUPPORT - 120 VOLT ONLY	1
34	7293111	M4 SPRING WASHER @ FOOT PEDAL	1

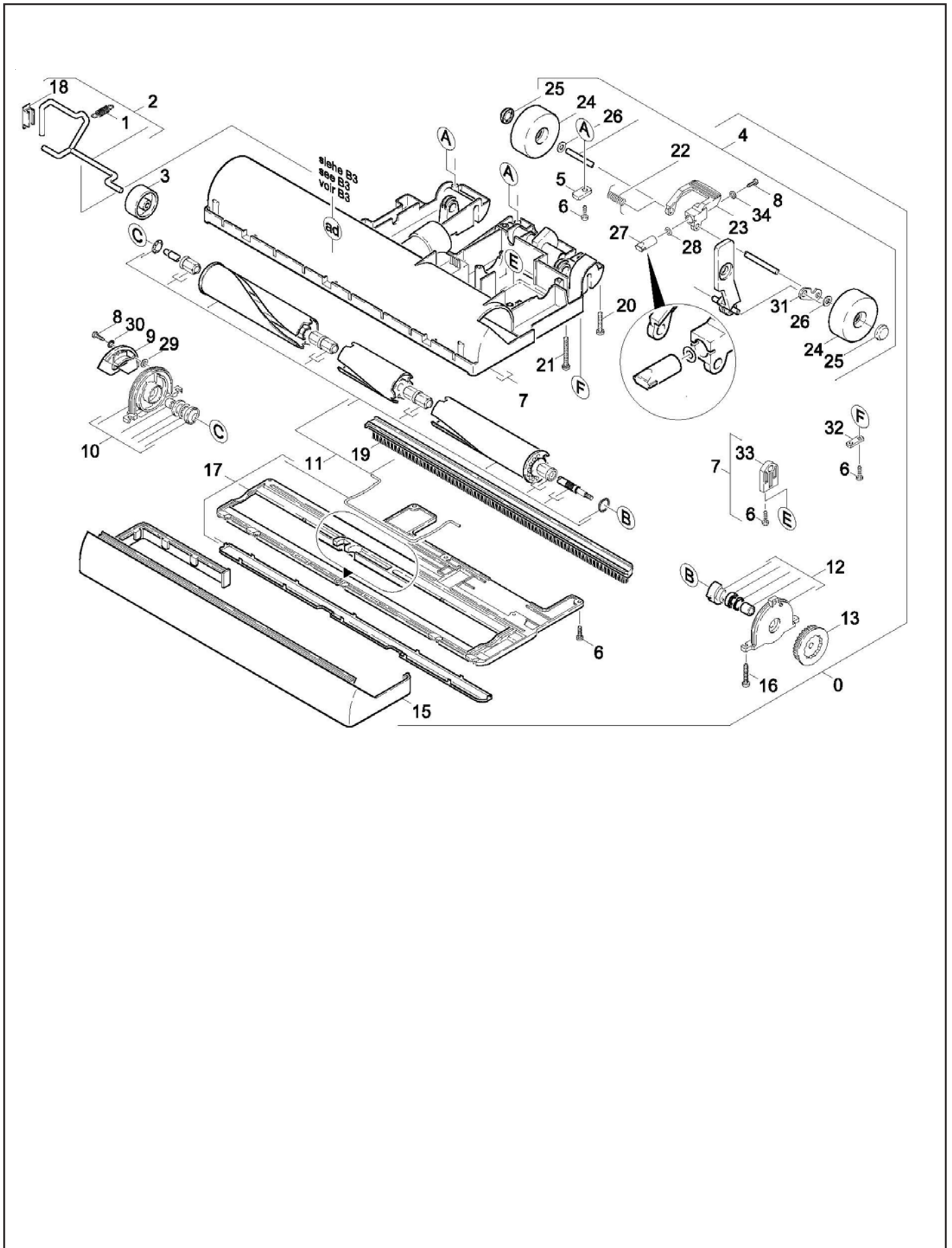
# BRUSH HEAD - BOTTOM - 214

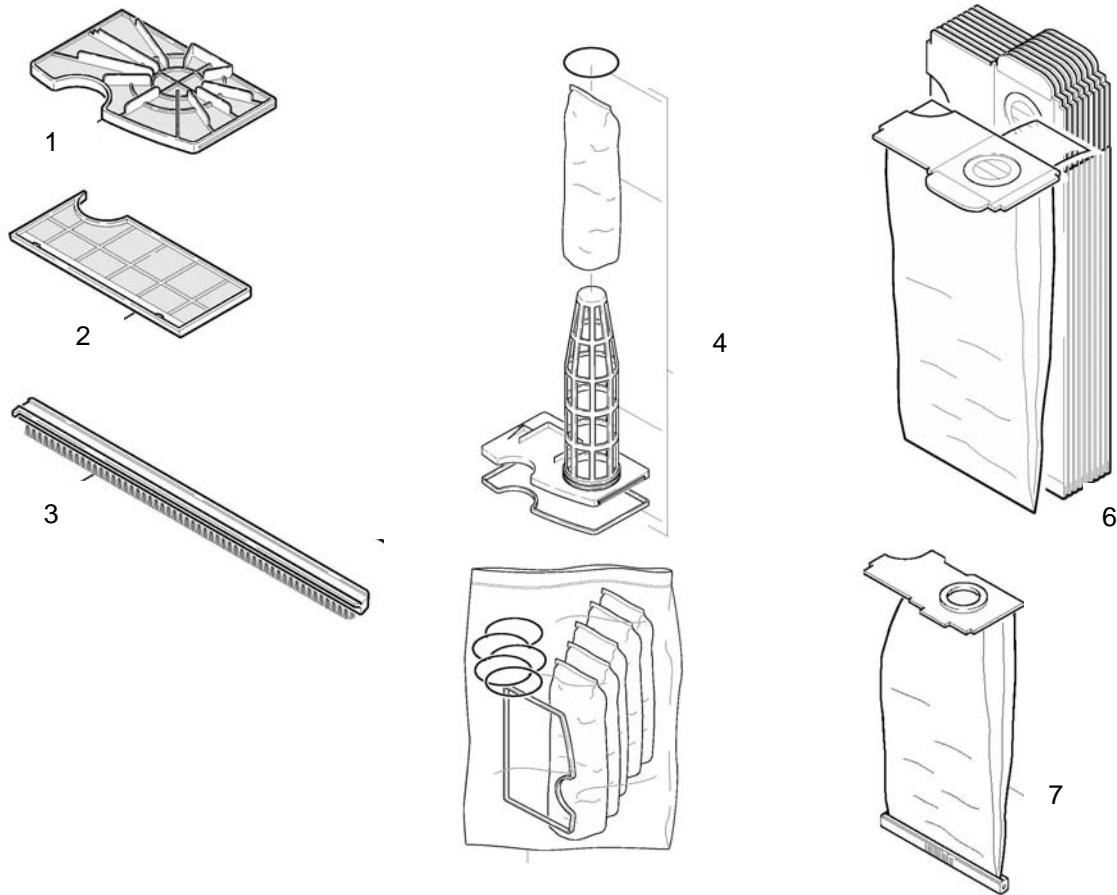


## **BRUSH HEAD - BOTTOM - 218**

<b><u>ITEM</u></b>	<b><u>PART NO.</u></b>	<b><u>PART DESCRIPTION</u></b>	<b><u>QTY.</u></b>
0	7292571	BRUSH HEAD ASSEMBLY - BLACK - INCL. BOTH TOP AND BOTTOM	1
1	6890871	EXTENSION SPRING	1
2	7293261	AXLE - HEIGHT ADJUSTMENT	1
3	6890861	WHEEL - HEIGHT ADJUSTMENT	1
4	7293279	ASSEMBLY - AXLE AND PEDAL	1
5	6890901	RETAINER CLIP - AXLE	2
6	7190531	M4 X 12 SCREW	1
7	7293281	HOUSING - BOTTOM	1
8	7293091	M4 X 8 SCREW	2
9	6890791	COVER - END PLATE - 120 VOLT	1
10	6890801	END PLATE WITH BEARING - BRUSH END	1
11	7293291	ROLLER ASSEMBLY - BRUSH - INCLUDES:	1
19	7293331	BRUSH STRIP - BLACK - STANDARD	1
19	7293341	BRUSH STRIP - RED - HARD (ACCESSORY)	1
12	6890811	END PLATE ASSEMBLY - PULLEY END	1
13	6890751	PULLEY - BRUSH	1
15	7293301	BUMPER	1
16	7292701	M4 X 16 OVAL HEAD SCREW	4
17	7293311	SHOE - BRUSH	1
18	7293321	CLIP - HEIGHT ADJUSTMENT	1
20	6891081	M5 X 16 OVAL HEAD SCREW	1
21	7292211	M5 X 30 OVAL HEAD SCREW	3
22	7293031	SPRING - FOOT PEDAL	1
23	7293011	PEDAL - FOOT	1
24	6890911	WHEEL ONLY	2
25	6891131	LOCK WASHER	2
26	7292281	M6.4 I.D. X 11.7 O.D. X 16 THICK FLAT WASHER	2
27	7293021	SCREW - BRASS LOCKING @ PEDAL (BOLT)	1
29	7292261	M3 WASHER - PLASTIC	1
30	7292271	M4.4 EXTERNAL STAR LOCK WASHER	1
31	7292971	RETAINER CLIP - AXLE SUPPORT	1
32	7292961	RETAINER CLIP - AXLE - 2 HOLE PLATE	1
33	7292981	BEARING BLOCK - AXLE SUPPORT - 120 VOLT ONLY	1
34	7293111	M4 SPRING WASHER @ FOOT PEDAL	1

# BRUSH HEAD - BOTTOM - 218





<u>ITEM</u>	<u>PART NO.</u>	<u>PART DESCRIPTION</u>	<u>QTY.</u>
1	6890161	FILTER - SAFETY	1
2	6890471	FILTER - EXHAUST	1
3	6890781	BRUSH STRIP - BLACK - STANDARD - 214 ONLY	1
3	6890771	BRUSH STRIP - RED - HARD - 214 ONLY	1
3	7293331	BRUSH STRIP - BLACK - STANDARD - 218 ONLY	1
3	7293341	BRUSH STRIP - RED - HARD - 218 ONLY	1
4	6890171	MICROFILTER - SINGLE	1
5	6892011	MICROFILTER 5 - PACK	1
6	6890241	PAPER FILTER - BAGS 10 - PACK	1
7	6892001	CLOTH FILTER BAG - SINGLE	1
8	6890251	UPHOLSTERY NOZZLE	1
9	6890261	CREVICE TOOL	1



## **NSS® Enterprises, Inc.**

3115 Frenchmens Road, Toledo, Ohio 43607  
 PHONE (419) 531-2121 FAX (419) 531-3761

**NSS® Enterprises, Inc. European Distribution Centre**  
 Unit II, Pinfold Trading Estate \* 55 Nottingham Road  
 STAPLEFORD, NOTTINGHAM NG9 8AD ENGLAND U.K.  
 PHONE: (44) 0115 939 1568 \* FAX: (44) 0115 949 0615