



Electronic Service Manuals

This electronic document is provided as a service to our customers. We do not create the contents of the information contained in this document. Should you have detailed questions pertaining to the information contained in this document, you may contact Michco, or the manufacturer which provided the original information in this electronic deliverable. Michco's only part in this electronic deliverable was the electronic assembly process. By providing this manual on line we are not guaranteeing parts availability.

You may contact Michco through the following methods:

Phone (517) 484-9312 or (800) 331-3339

2011 N. High St. -- Lansing, Michigan -- 48906

Fax: (517) 484-9836

Email: CustServe@Michco.com

Web site: www.Michco.Com

Parts Web site: www.FloorMachineParts.Com

Order Parts on Line at:

www.FloorMachineParts.Com

Directly to Parts & Service:

By Email: **Shop@Michco.com**

By Fax: (517) 702-2041

By Voice: Use numbers above.

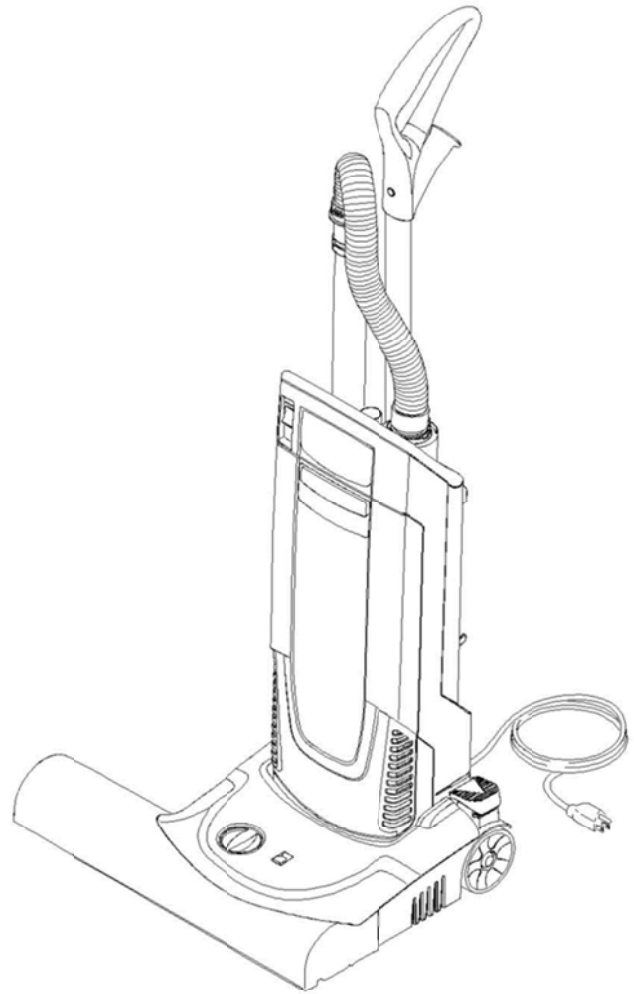
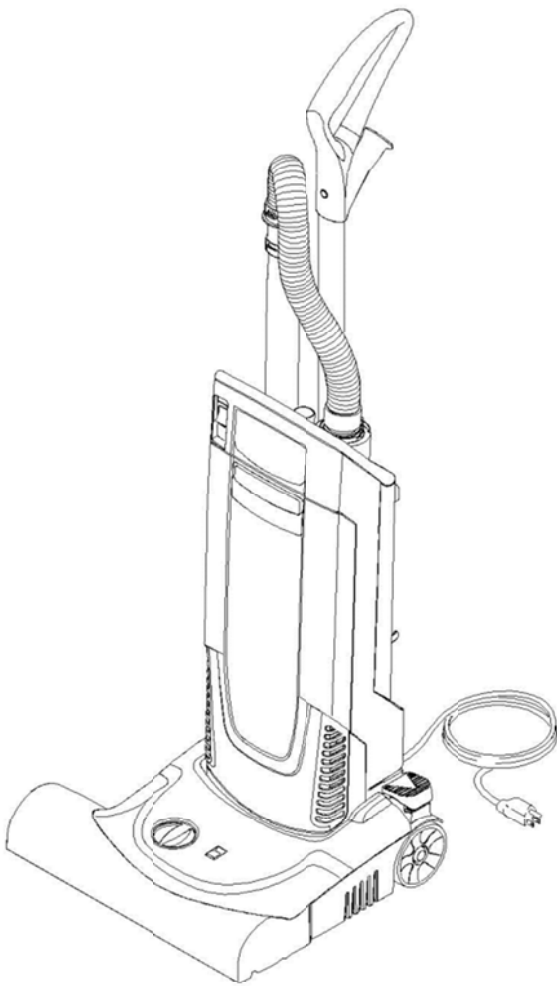
Serving the Cleaning Industry Since 1922

Notice: All copyrighted material remains property of original owners, all trademarks are property of respective owners. Manuals are subject to Manufacturer's reproduction limitations. Originals or reproductions were provided by manufacturers through a request. We make no warranty as to the correctness of information provided in this document and you assume all risk. By placing these manuals on line we are not declaring our corporation to be an manufacturer authorized dealer or provider, please check our web site for authorized manufacturers we represent.

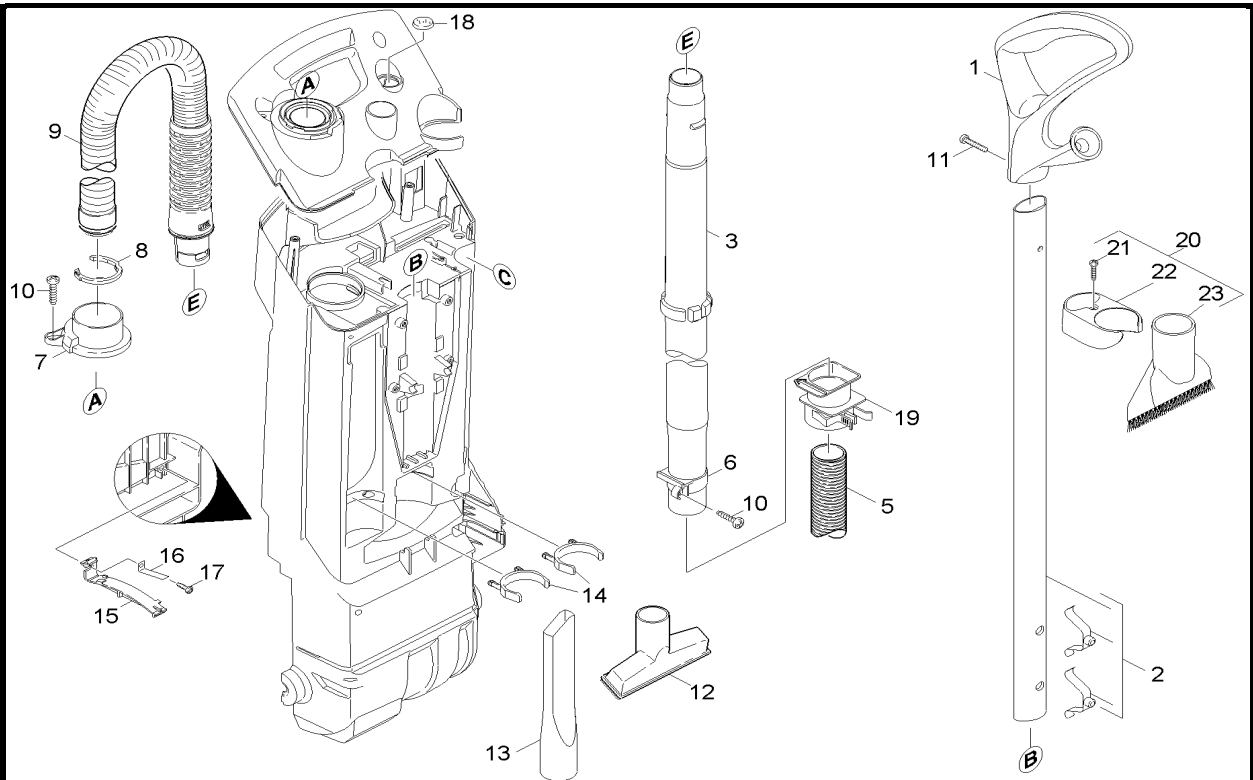
PARTS LIST

PACER 14 UE

PACER 18 UE

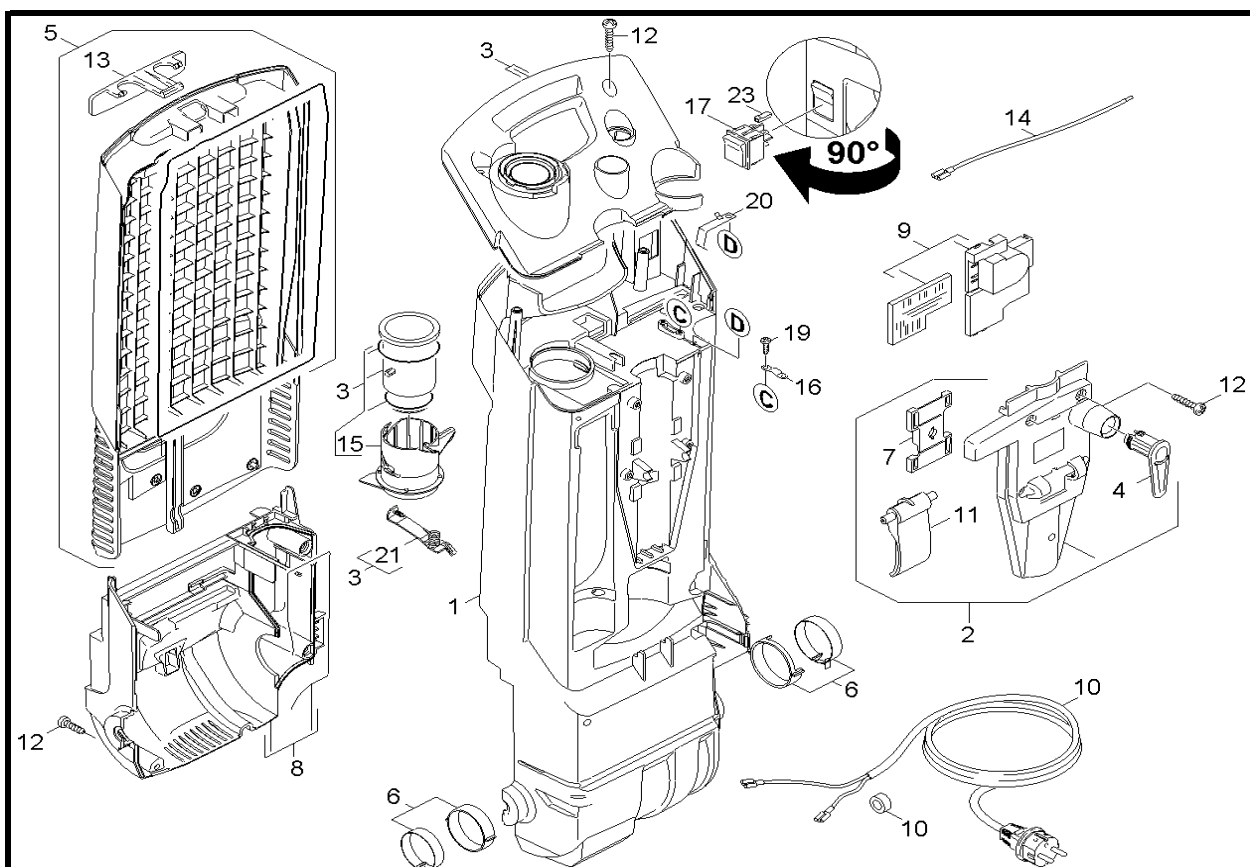


INDIVIDUAL PARTS



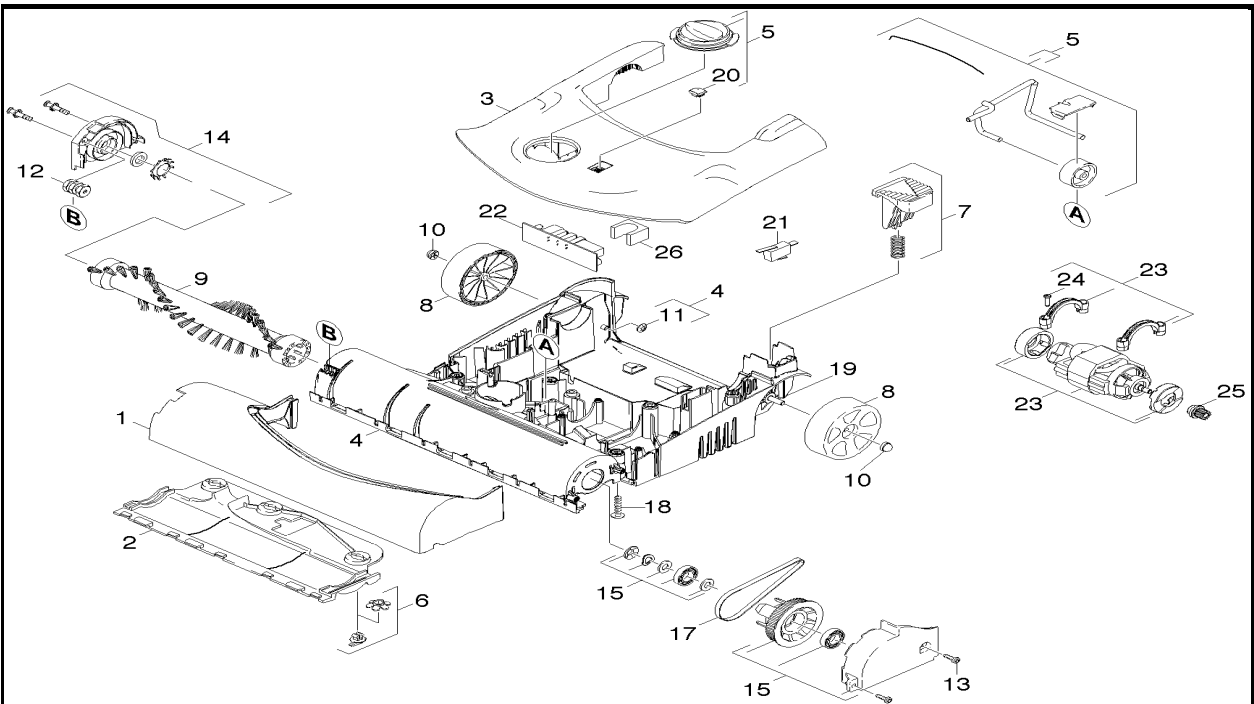
ITEM	PART NO.	PART DESCRIPTION	QTY.
1	7190311	Handhold	1
2	7293511	Handle complete only for replacement	1
3	7293521	Suction tube	1
5	7293531	Suction hose DN32	1
6	7293541	Ring suction tube	1
7	7293551	Hosebarb	1
8	6890011	Locking ring	1
9	7293561	Suction hose DN32	1
10	7293571	Screw 5x20 -10.9-R2R (In6Rd)	2
11	7190551	Screw 5x40 -A2-70 (IN6Rd)	1
12	6890251	Upholstery nozzle DN35	1
13	7293581	Crevice nozzle DN35	1
14	7293591	Clip accessories	2
15	6890141	Holder filter	1
16	6890151	Spring	1
17	7293601	Screw 4x12 -10.9-R2R (IN6RD)	1
18	7292231	Lens	1
19	7293611	Sleeve suction tube	1
20	7293621	Accessories kit clamp	1
21	7293631	Screw 5x20 -A2-70 (In6Rd)	1
22	7293641	Clamp	1
23	7293651	Suction brush DN35	1

APPLIANCE TOP PART



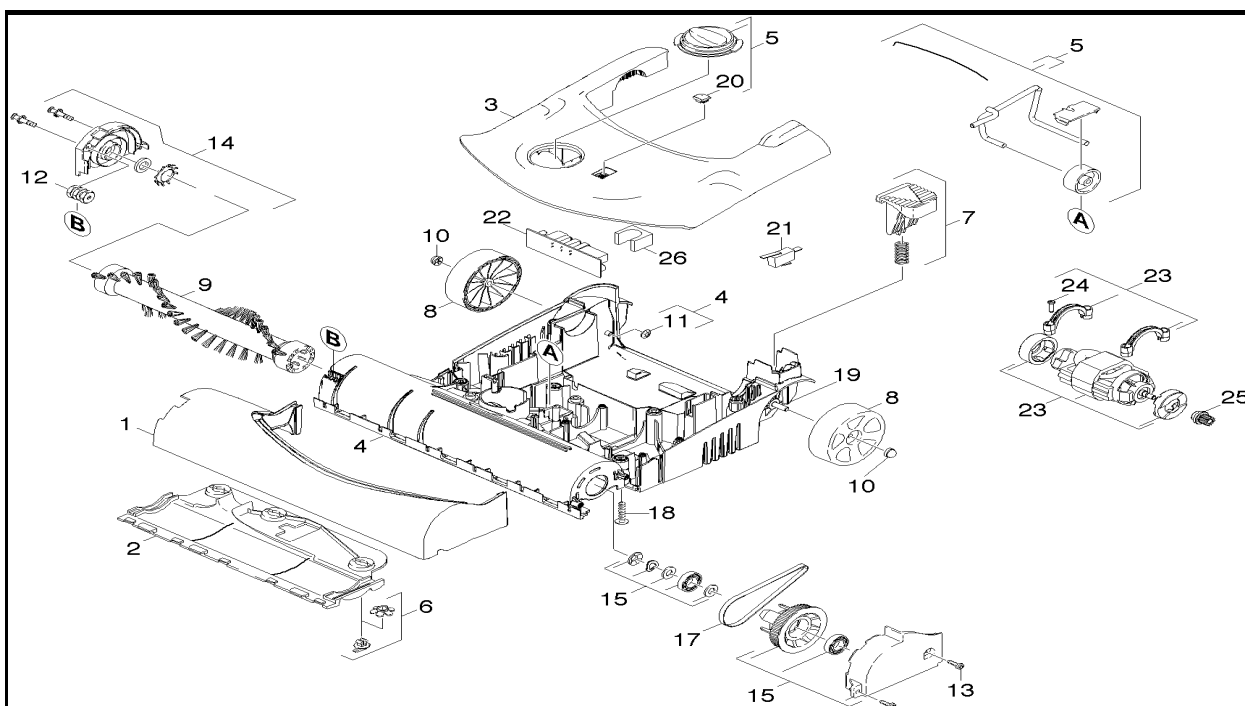
ITEM	PART NO.	PART DESCRIPTION	QTY.
1	7293661	Housing	1
2	7293671	Covering cap complete only for replaceme	1
3	7293681	Covering cap electric	1
4	7293691	Catch for cable	1
5	7293701	Cover complete black	1
6	7293711	Set bearing shells	1
7	7293721	CLAMP	1
8	7293731	Covering cap motor complete nur fuer Ers	1
9	7293741	Circuit board only for replacement CV30/	1
10	7293751	Power cable only for replacement	1
11	7293761	Clamp lever	1
12	7293571	Screw 5x20 -10.9-R2R (In6Rd)	9
13	7293771	Closure cover	1
14	7293781	Electrical small parts CV 38/2, CV 48/2	1
15	7293791	OPERATING LEVER	1
16	7293061	Clamp clip	1
17	7293801	Rocker switch black	1
19	7190521	Screw 3,5x12-10.9-R2R (IN6RD)	2
20	7293811	Spring earthing	1
21	7293821	Spring connection piece completely	1
23	7293831	Insulation sheath	2

BRUSH HEAD - NSS PACER 14 UE



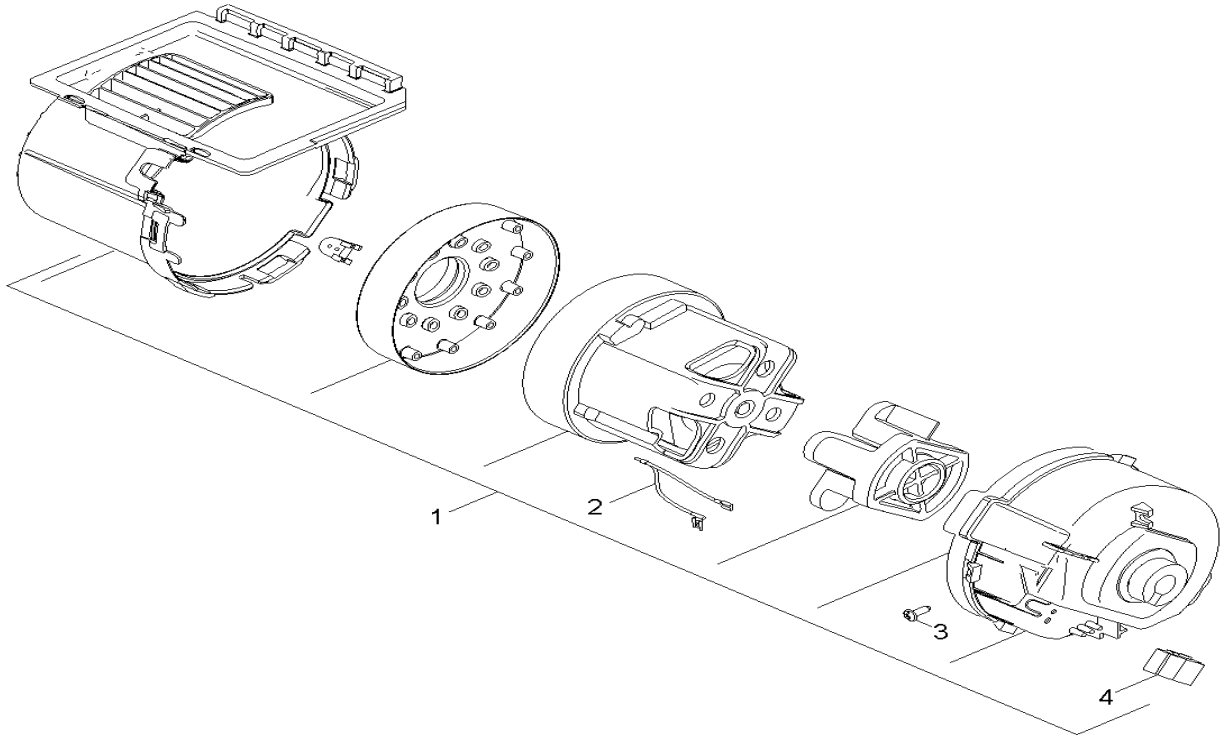
ITEM	PART NO.	PART DESCRIPTION	QTY.
1	7293841	Bumper CV 38/1	1
2	7293861	Sliding bottom	1
3	7293881	Housing top part complete	1
4	7293891	Housing complete	1
5	7293911	Adjusting wheel complete	1
6	7293921	Closure parts set for replacement	1
7	7293931	Foot pedal complete only for replacement	1
8	7293941	Wheel	2
9	7293951	Roller brush black	1
10	6891131	Lock washer	2
11	7190381	Lock washer	2
12	7293991	Screw connector part	2
13	7190531	Screw 4x12 -10.9-R2R (IN6RD)	2
14	7294001	Covering cap complete brush	1
15	7294011	Covering cap complete belt	1
17	7294021	Toothed belt	1
18	7294031	Screw 5x25-IN6RD	8
19	7294041	Axle	1
20	7294051	Lens	1
21	7294061	Micro switch	1
22	7294071	Printed circuit board 230V	1
23	7294081	Motor complete	1
24	7294091	Screw 4x22 -ST-10.9-R2R (IN6RD)	4
25	7294101	Pinion	1
26	7294111	Protecting cap	1

BRUSH HEAD - NSS PACER 18 UE



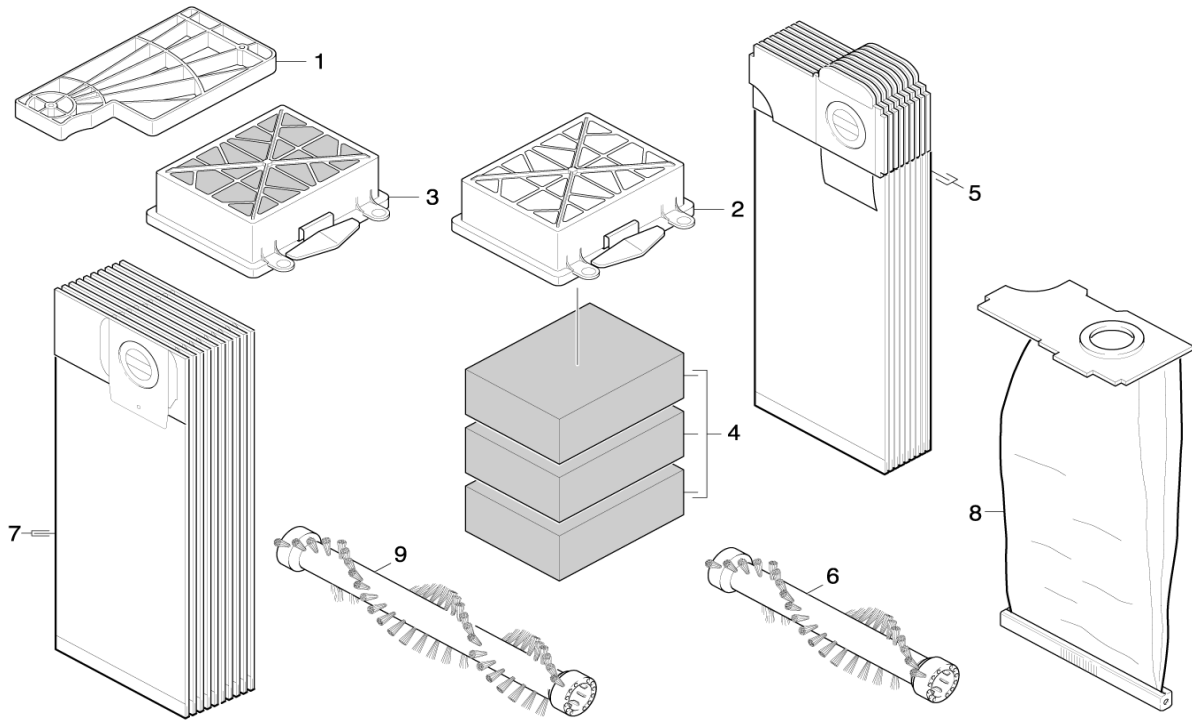
ITEM	PART NO.	PART DESCRIPTION	QTY.
1	7293851	Bumper	1
2	7293871	Sliding bottom	1
3	7293881	Housing top part complete	1
4	7293901	Housing complete	1
5	7293911	Adjusting wheel complete	1
6	7293921	Closure parts set for replacement	1
7	7293931	Foot pedal complete only for replacement	1
8	7293941	Wheel	2
9	7293971	Roller brush black	1
10	6891131	Lock washer	2
11	7190381	Lock washer	2
12	7293991	Screw connector part	2
13	7190531	Screw 4x12 -10.9-R2R (IN6RD)	2
14	7294001	Covering cap complete brush	1
15	7294011	Covering cap complete belt	1
17	7294021	Toothed belt	1
18	7294031	Screw 5x25-IN6RD	8
19	7294041	Axle	1
20	7294051	Lens	1
21	7294061	Micro switch	1
22	7294071	Printed circuit board 230V	1
23	7294081	Motor complete	1
24	7294091	Screw 4x22 -ST-10.9-R2R (IN6RD)	4
25	7294101	Pinion	1
26	7294111	Protecting cap	1

MOTOR



ITEM	PART NO.	PART DESCRIPTION	QTY.
1	7294121	Motor housing complete	1
2	7294131	Cable vacuum motor	2
3	7190531	Screw 4x12 -10.9-R2R (IN6RD)	4
4	6890561	Strip terminal	1

ACCESSORIES



ITEM	PART NO.	PART DESCRIPTION	QTY.
1	7294141	Filter motor protecting	1
2	7294151	Filter frame grey	1
3	7294161	Filter packaged HEPA	1
4	7294171	Filter sponge Kärcher 3St.	1
5	7294181	FILTER BAGS 10 PC	1
6	7294191	Roller brush antistatic - NSS PACER 14 UE	1
6	7293961	Roller brush red - NSS PACER 14 UE	1
7	7294201	Filter bag fleece	1
8	7294211	Filter bag cloth	1
9	7293981	Roller brush red - NSS PACER 18 UE	1
9	7293971	Roller brush black - NSS PACER 18 UE	1



NSS® Enterprises, Inc.

3115 Frenchmens Road, Toledo, Ohio 43607
PHONE (419) 531-2121 FAX (419) 531-3761

NSS® Enterprises, Inc. European Distribution Centre
Unit II, Pinfold Trading Estate * 55 Nottingham Road
STAPLEFORD, NOTTINGHAM NG9 8AD ENGLAND U.K.
PHONE: (44) 0115 939 1568 * FAX: (44) 0115 949 0615