



Electronic Service Manuals

This electronic document is provided as a service to our customers. We do not create the contents of the information contained in this document. Should you have detailed questions pertaining to the information contained in this document, you may contact Michco, or the manufacturer which provided the original information in this electronic deliverable. Michco's only part in this electronic deliverable was the electronic assembly process. By providing this manual on line we are not guaranteeing parts availability.

You may contact Michco through the following methods:

Phone (517) 484-9312 or (800) 331-3339

2011 N. High St. -- Lansing, Michigan -- 48906

Fax: (517) 484-9836

Email: CustServe@Michco.com

Web site: www.Michco.Com

Parts Web site: www.FloorMachineParts.Com

Order Parts on Line at:

www.FloorMachineParts.Com

Directly to Parts & Service:

By Email: **Shop@Michco.com**

By Fax: (517) 702-2041

By Voice: Use numbers above.

Serving the Cleaning Industry Since 1922

Notice: All copyrighted material remains property of original owners, all trademarks are property of respective owners. Manuals are subject to Manufacturer's reproduction limitations. Originals or reproductions were provided by manufacturers through a request. We make no warranty as to the correctness of information provided in this document and you assume all risk. By placing these manuals on line we are not declaring our corporation to be an manufacturer authorized dealer or provider, please check our web site for authorized manufacturers we represent.

DESIGNER 7 WET/DRY VACUUM

IMPORTANT SAFETY INSTRUCTIONS



**READ AND UNDERSTAND ALL INSTRUCTIONS
BEFORE OPERATING OR SERVICING MACHINE**



THIS MACHINE IS INTENDED FOR COMMERCIAL USE ONLY

DANGER!

**Failure to Observe These Instructions Can Cause Fire, Electrical Burn,
Shock or Electrocutation To Machine Operator or By-Standers.**

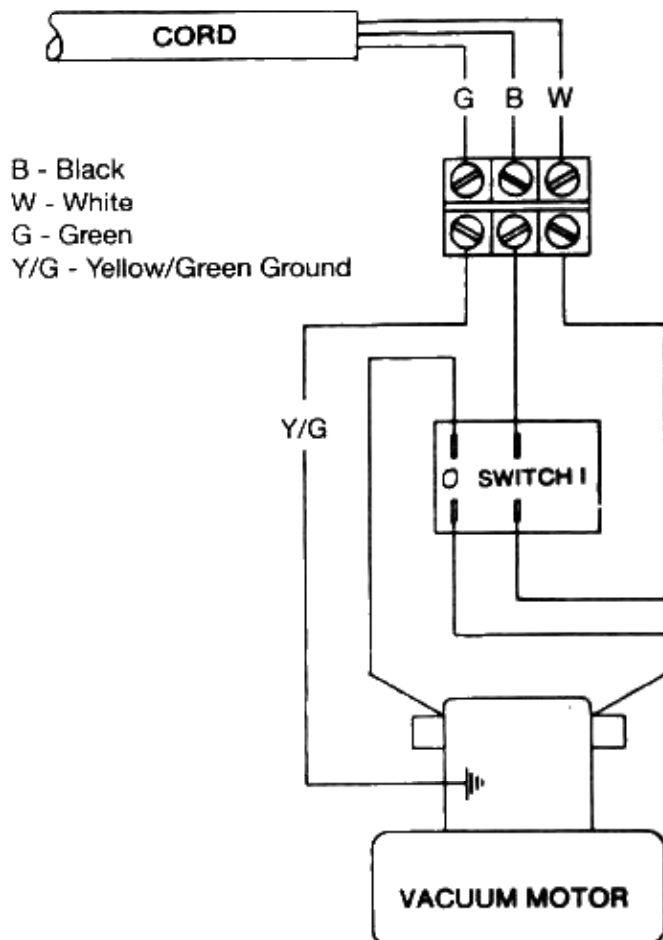
- When using an electrical appliance, basic precautions should always be followed, including the following:
- **NEVER** attempt to operate machine unless you have been trained in its operation.
- **NEVER** allow an untrained person to operate this machine.
- Use this machine **ONLY** as described in this manual.
- **NEVER** operate machine with a damaged, broken, cut, abraded, or taped cord or plug.
- **ALWAYS** connect machine to a properly grounded electrical outlet. See the following pages for grounding instructions and wiring diagram.
- **NEVER** leave machine unattended when plugged in. Unplug machine from electrical outlet when not in use and before attempting repairs or maintenance.
- **ALWAYS** turn machine OFF before unplugging from electrical outlet.
- **NEVER** operate machine in the presence of flammable or combustible liquids, such as gasoline, fumes or dusts.
- **NEVER** attempt to pick up flammable or combustible liquids, such as gasoline, fumes or dusts.
- **NEVER** handle machine, cord or plug with wet hands.
- **NEVER** drop or insert any object into any machine opening.
- **ALWAYS** keep face, fingers, hair or any body part, or loose clothing away from any machine opening or moving part.
- **NEVER** pick up anything that is burning or smoking, such as cigarettes, matches or hot ashes.
- **ALWAYS** use extreme care when cleaning on stairs or when machine is placed on stairs.
- **NEVER** operate machine if it is not working properly, if it has been dropped, damaged, exposed to weather, or dropped into water. Return machine to service center for examination and repair.
- **NEVER** operate machine with any air opening blocked. Keep all air openings free of dust, lint, hair and the like.
- **NEVER** operate machine without dustbag and/or filters in place.
- **DO NOT** pull or carry machine by electrical supply cord, use cord as a handle, close door on cord, pull cord around sharp edges or corners, expose to heated surfaces, or set heavy or sharp objects on cord.
- **NEVER** disconnect plug by pulling on cord. To disconnect from outlet, grasp the plug, not the cord.
- **DO NOT** allow to be used as a toy. Close attention is necessary when used by or near children.
- **DO NOT** expose to rain—STORE INDOORS.

SAVE THESE INSTRUCTIONS



DANGER! DO NOT ATTEMPT MAINTENANCE OR REPAIRS BEFORE DISCONNECTING CORD FROM ELECTRICAL POWER SOURCE. READ ALL INSTRUCTIONS AND FOLLOW ALL ILLUSTRATIONS CAREFULLY.

DESIGNER 7 WIRING DIAGRAM



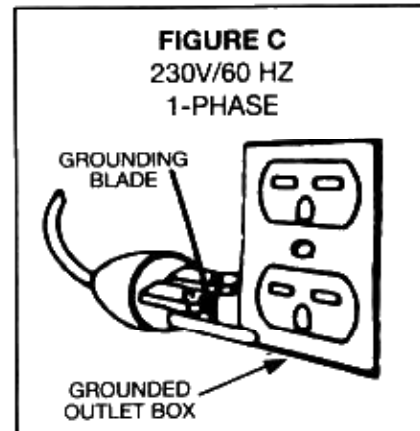
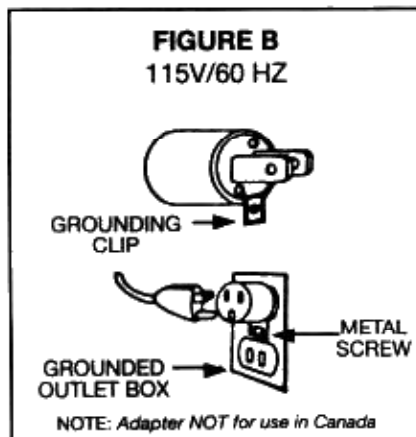
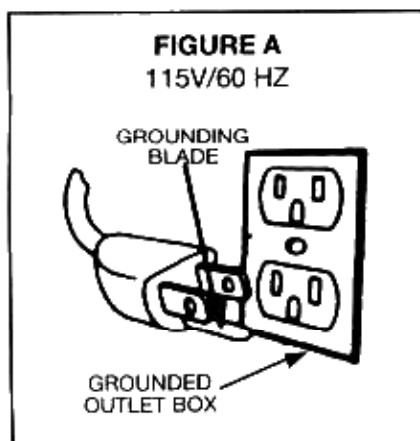
GROUNDING INSTRUCTIONS

This machine must be grounded. If it should malfunction or break down, grounding provides a path of least resistance for electric current to reduce the risk of electric shock. This machine is equipped with a cord having an equipment-grounding conductor and grounding plug. The plug must be plugged into an appropriate outlet that is properly installed and grounded in accordance with all local codes and ordinances.

DANGER:

Improper connection of the equipment-grounding conductor can result in a risk of electric shock. Check with a qualified electrician or service person if you are in doubt as to whether the outlet is properly grounded. Do not modify the plug provided with the machine - if it will not fit the outlet, have a proper outlet installed by a qualified electrician.

Always use a properly grounded 3-wire extension cord which has male and female plugs. Use only 16-3 ST or SO type extension cords for a total cord length up to 75 feet.

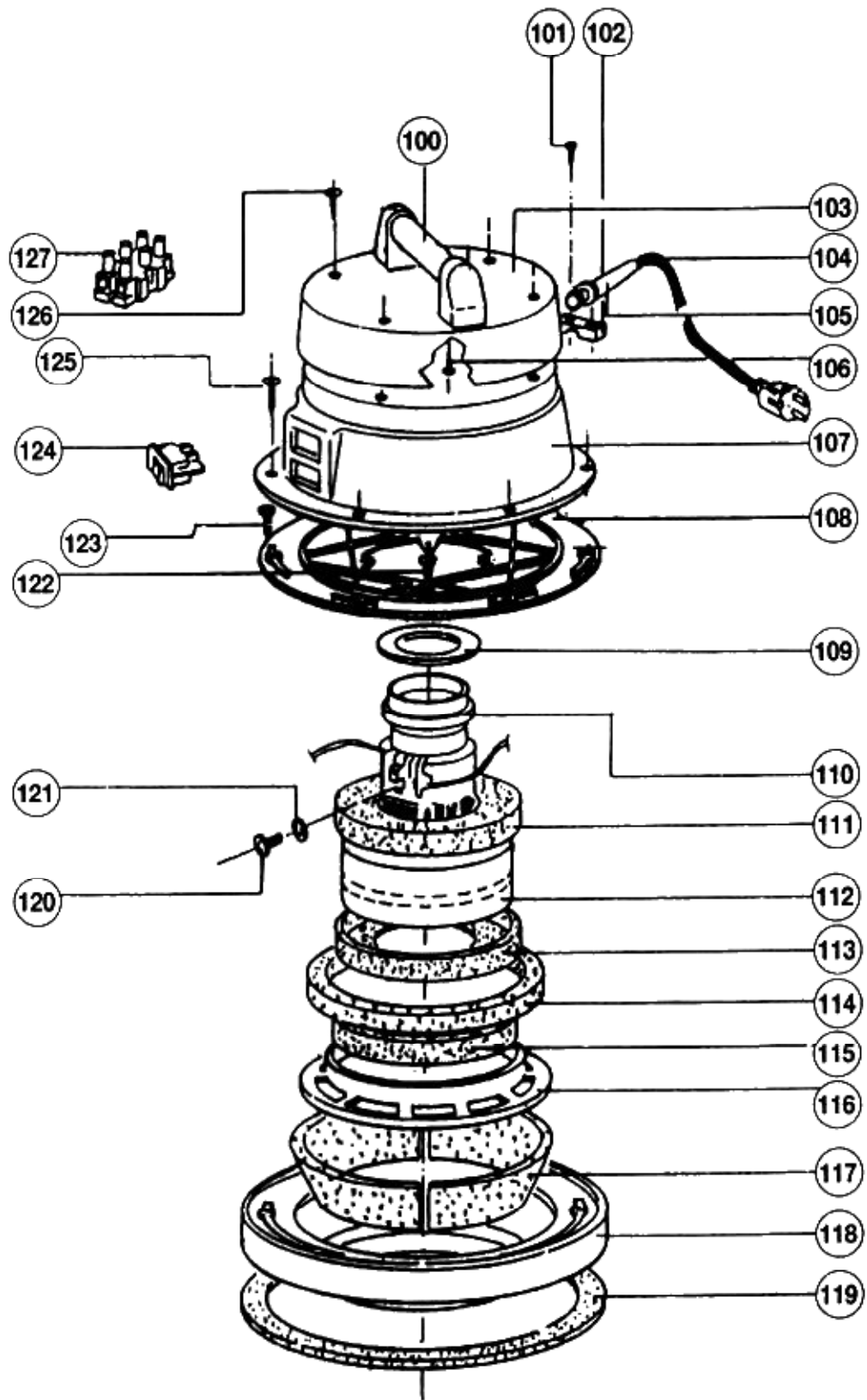


This machine is for use on a nominal 120-volt circuit, and has a grounding plug that looks like the plug illustrated in Fig. A. A temporary adapter that looks like the adapter illustrated in Fig. B may be used to connect this plug to a 2-pole receptacle as shown in Fig. B if a properly grounded outlet is not available. The temporary adapter should be used only until a properly grounded outlet can be installed by a qualified electrician. Whenever the adapter is used, it must be held in place by a METAL screw.

**DESIGNER 7 WET-DRY VACUUM
POWERHEAD ASSEMBLY
(Square Container Only)**

<u>ITEM NUMBER</u>	<u>PART NUMBER</u>	<u>DESCRIPTION</u>	<u>QUANTITY</u>
100	57-148-1	Lift handle assembly	1
101	57-163-1	3.9 x 19 Self tap screw	2
102	57-104-1	Cord clamp	1
103	57-101-1	Motor top cover	1
104	57-400-1	Cord, 50 ft.(15.2m), 16-3 SJTW	1
105	57-102-1	Cord strain relief, rubber	1
106	57-105-1	5.0 x 14 Self tap screw	4
107	57-201-1	Lower cover	1
108	57-202-1	Motor holding ring	1
109	57-203-1	Top motor gasket	1
110	57-401-1	Motor spacing ring	1
111	57-108-1	Motor seal gasket	1
112	02-643-9	Vacuum motor, 115 volt	1
	02-645-9	Vacuum motor, 240 volt	1
113	57-108-1	Motor seal gasket	1
114	57-402-1	Filter strip	
115	57-403-1	Foam silencer	1
116	57-115-1	Silencer disc	1
117	57-404-1	Felt filter	1
118	57-405-1	Lid	1
119	57-406-1	Lid gasket	1
120	57-255-1	4.0 x 8.0 Screw UNI	1
121	57-265-1	4.0 Kep nut	1
122	57-256-1	4.8 x 19 Screw UNI	4
123	57-105-1	5.0 x 14 Self tap screw	2
124	57-141-1	Switch, on - off	1
125	57-260-1	5.0 x 23 Self tap screw	6
126	57-145-1	5.0 x 30 Self tap screw	4
127	57-143-1	Terminal block	1

**DESIGNER 7 WET-DRY VACUUM
POWERHEAD ASSEMBLY
(Square Container Only)**



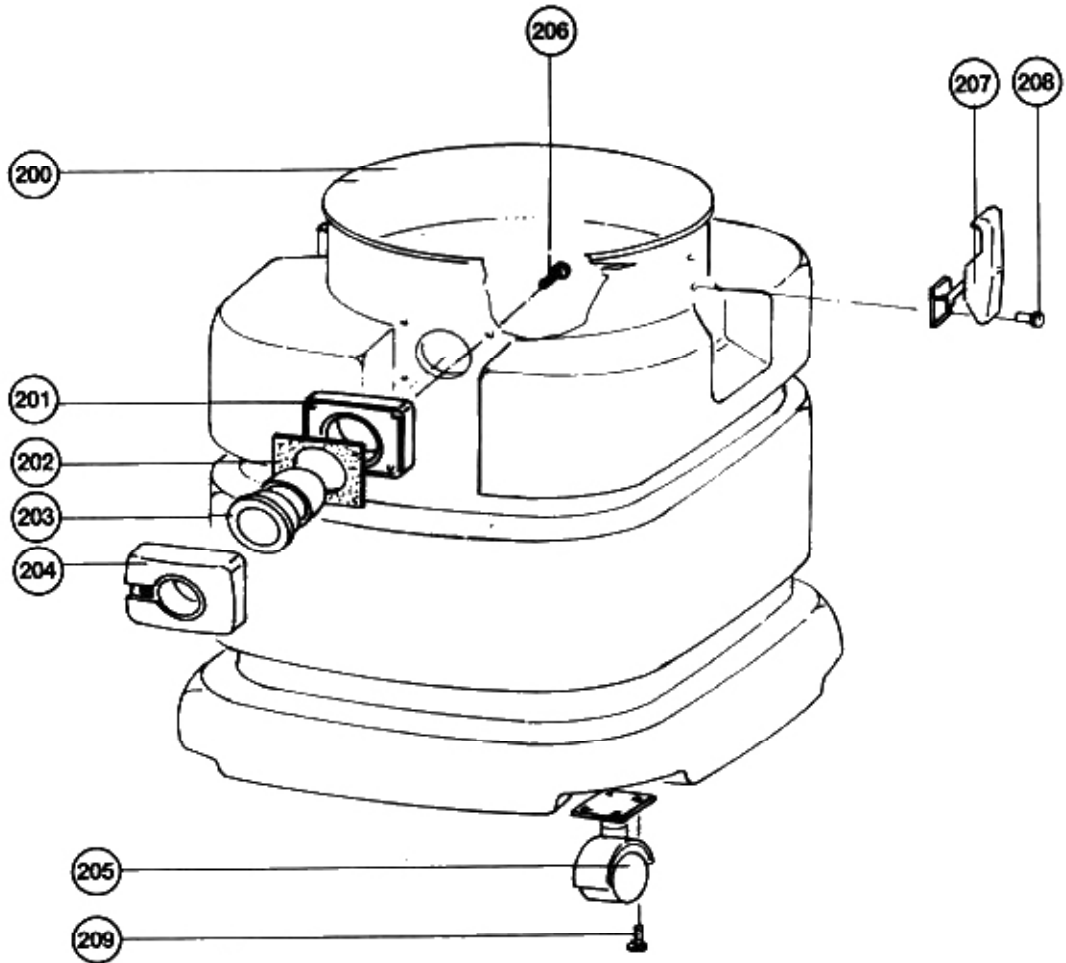
**DESIGNER 7 WET-DRY VACUUM
CONTAINER ASSEMBLY**

<u>ITEM NUMBER</u>	<u>PART NUMBER</u>	<u>DESCRIPTION</u>	<u>QUANTITY</u>
200	57-600-1	Container, square, Designer7	1
201	57-601-1	Intake support	1
202	57-602-1	Intake gasket	1
203	57-338-1	Intake deflector	1
204	57-603-1	Intake, plastic	1
205	57-604-1	Swivel caster	4
206	57-263-1	5.0 x 35 Self tap screw	4
207	57-142-1	Lid clamp	2
208	57-267-1	Lid clamp rivet	4
209	57-258-1	4.0 x 15 Selftap screw	16

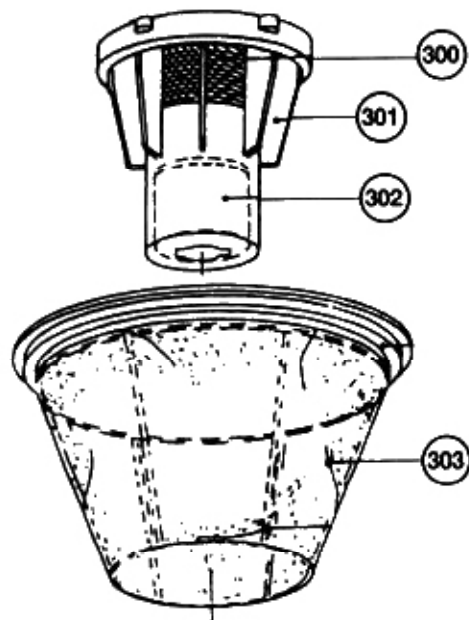
**DESIGNER 7 WET-DRY VACUUM
FILTER ASSEMBLY**

<u>ITEM NUMBER</u>	<u>PART NUMBER</u>	<u>DESCRIPTION</u>	<u>QUANTITY</u>
300	57-501-1	Float screen	1
301	57-218-1	Float housing	1
302	57-219-1	Float	1
303	57-500-1	Filter assembly (synthetic bag)	1

DESIGNER 7 WET-DRY VACUUM CONTAINER ASSEMBLY



DESIGNER 7 WET-DRY VACUUM FILTER ASSEMBLY





THE NATIONAL SUPER SERVICE COMPANY

3115 FRENCHMENS ROAD, TOLEDO, OHIO 43607-2958

PHONE (419) 531-2121 • FAX (419) 531-3761