



## Electronic Service Manuals

This electronic document is provided as a service to our customers. We do not create the contents of the information contained in this document. Should you have detailed questions pertaining to the information contained in this document, you may contact Michco, or the manufacturer which provided the original information in this electronic deliverable. Michco's only part in this electronic deliverable was the electronic assembly process. By providing this manual on line we are not guaranteeing parts availability.

You may contact Michco through the following methods:

Phone (517) 484-9312 or (800) 331-3339

2011 N. High St. -- Lansing, Michigan -- 48906

Fax: (517) 484-9836

Email: [CustServe@Michco.com](mailto:CustServe@Michco.com)

Web site: [www.Michco.Com](http://www.Michco.Com)

Parts Web site: [www.FloorMachineParts.Com](http://www.FloorMachineParts.Com)

Order Parts on Line at:

**[www.FloorMachineParts.Com](http://www.FloorMachineParts.Com)**

Directly to Parts & Service:

By Email: **[Shop@Michco.com](mailto:Shop@Michco.com)**

By Fax: (517) 702-2041

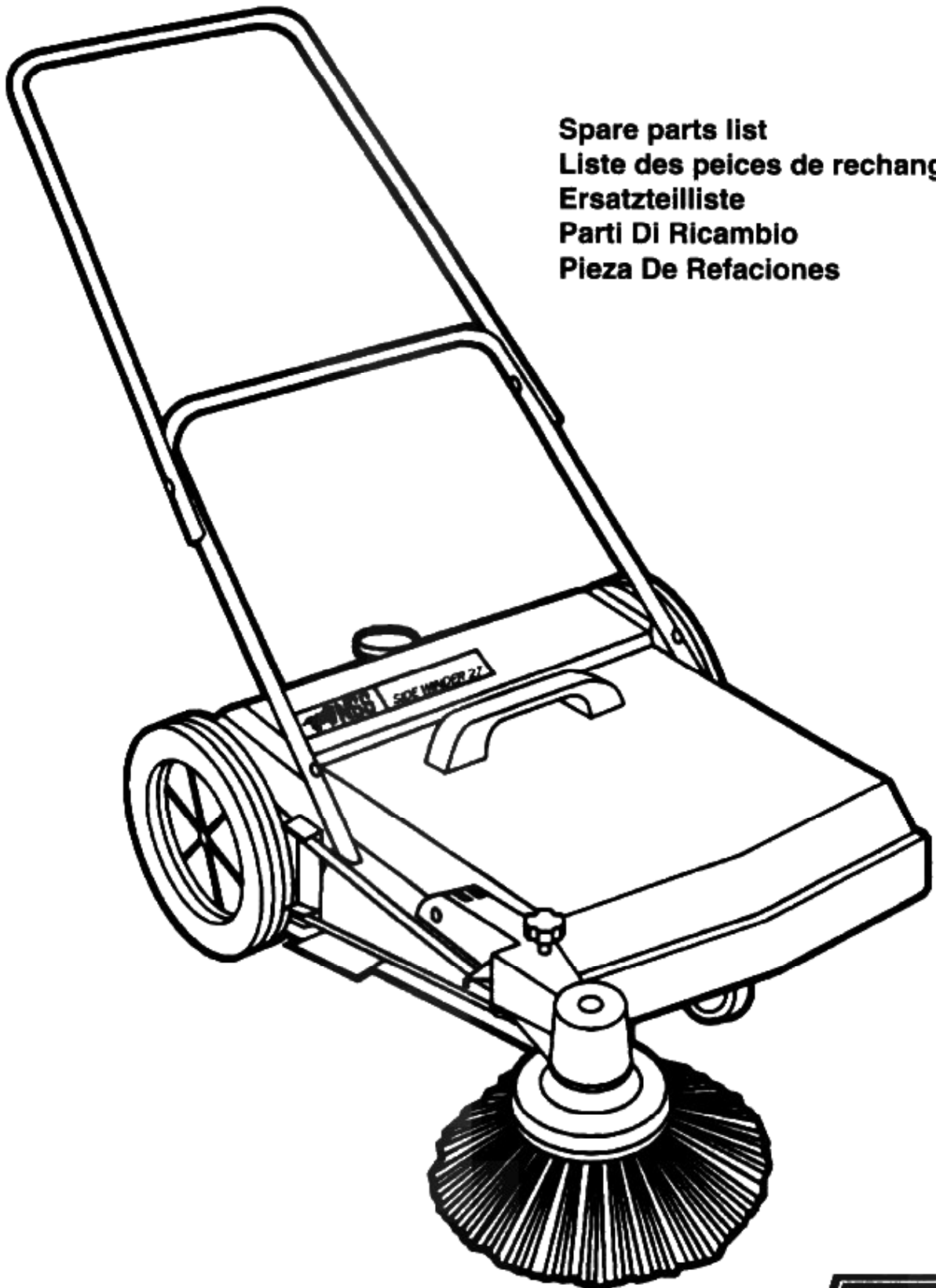
By Voice: Use numbers above.

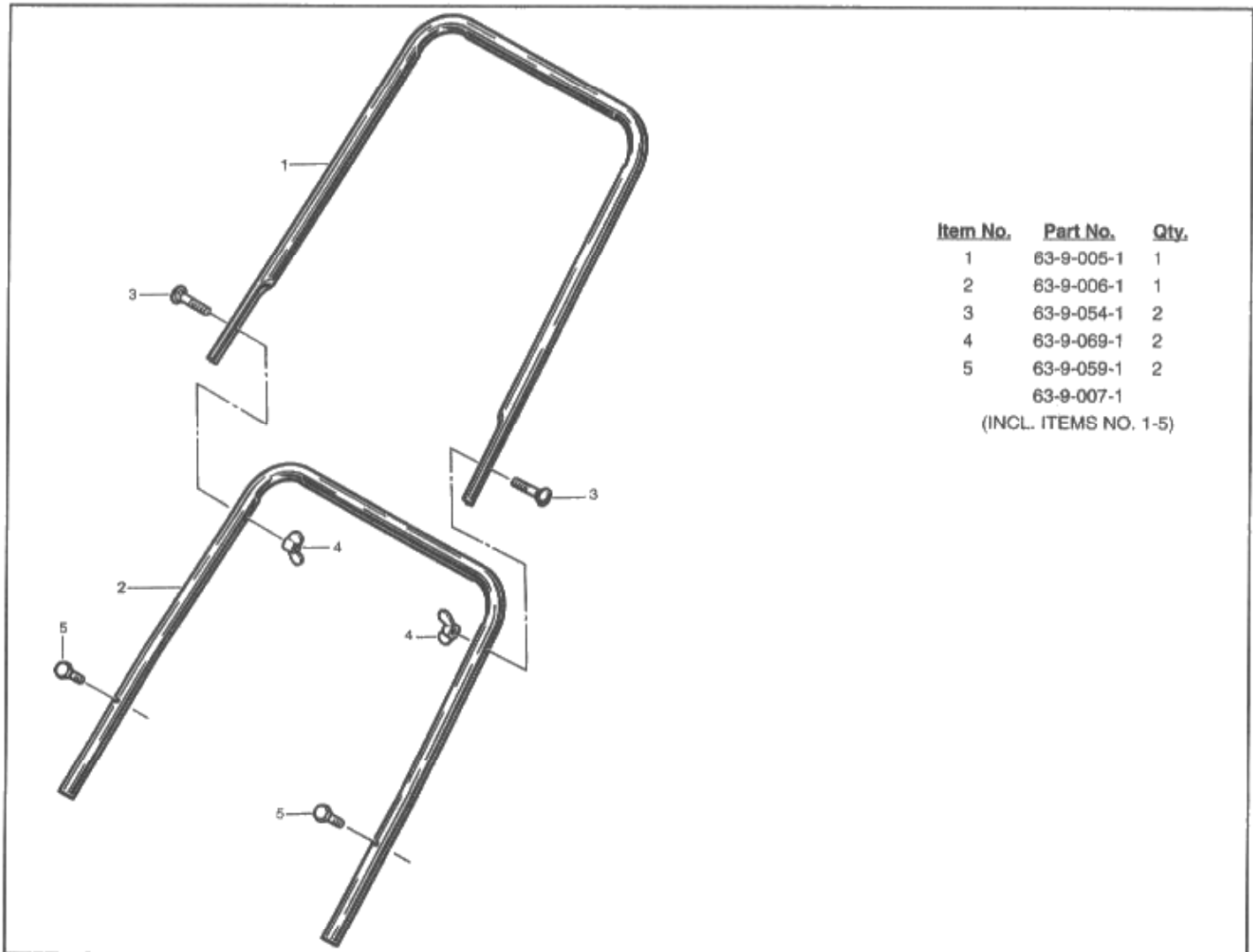
**Serving the Cleaning Industry Since 1922**

Notice: All copyrighted material remains property of original owners, all trademarks are property of respective owners. Manuals are subject to Manufacturer's reproduction limitations. Originals or reproductions were provided by manufacturers through a request. We make no warranty as to the correctness of information provided in this document and you assume all risk. By placing these manuals on line we are not declaring our corporation to be an manufacturer authorized dealer or provider, please check our web site for authorized manufacturers we represent.

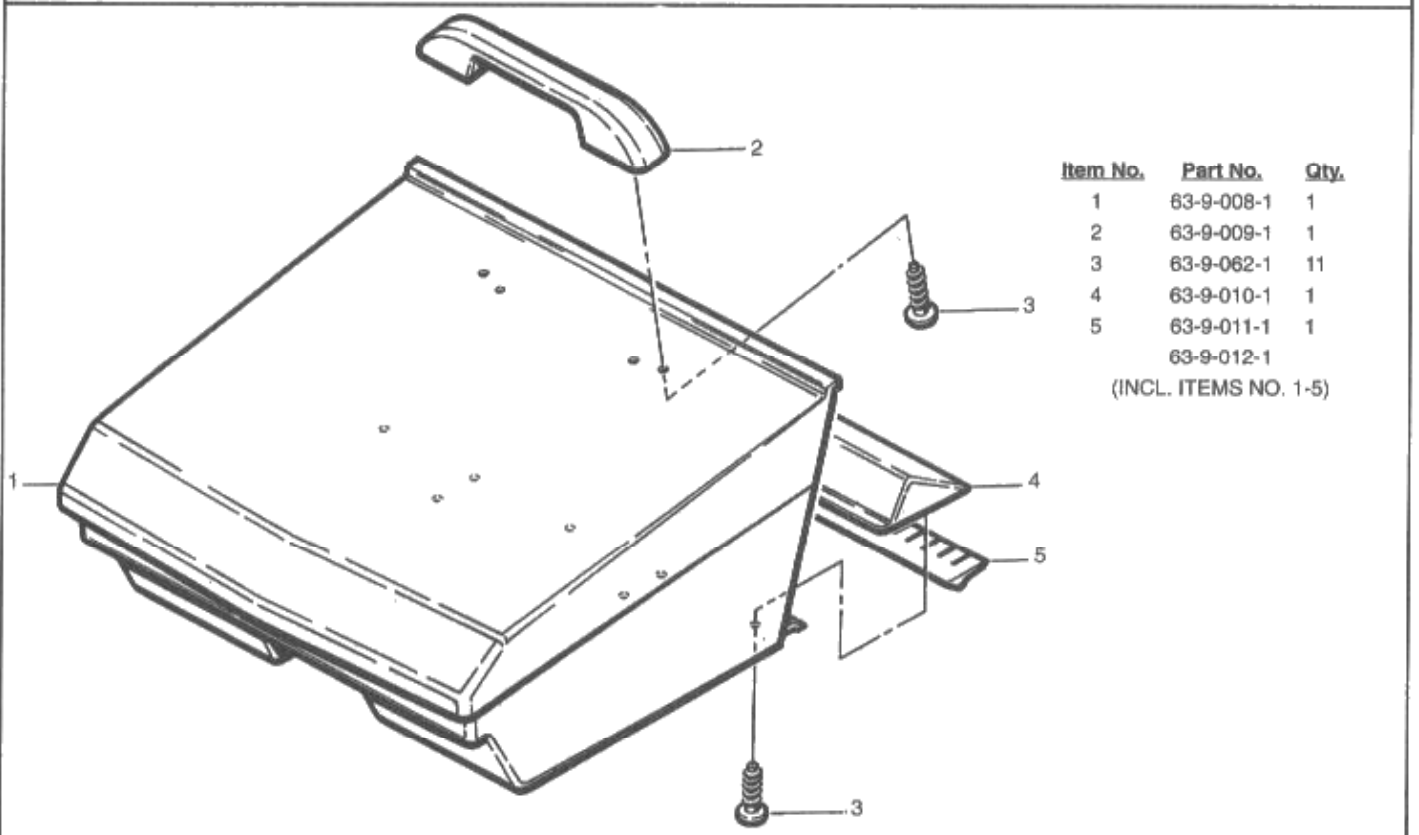
# SIDEWINDER 27

**Spare parts list**  
**Liste des peices de rechange**  
**Ersatzteilliste**  
**Parti Di Ricambio**  
**Pieza De Refaciones**

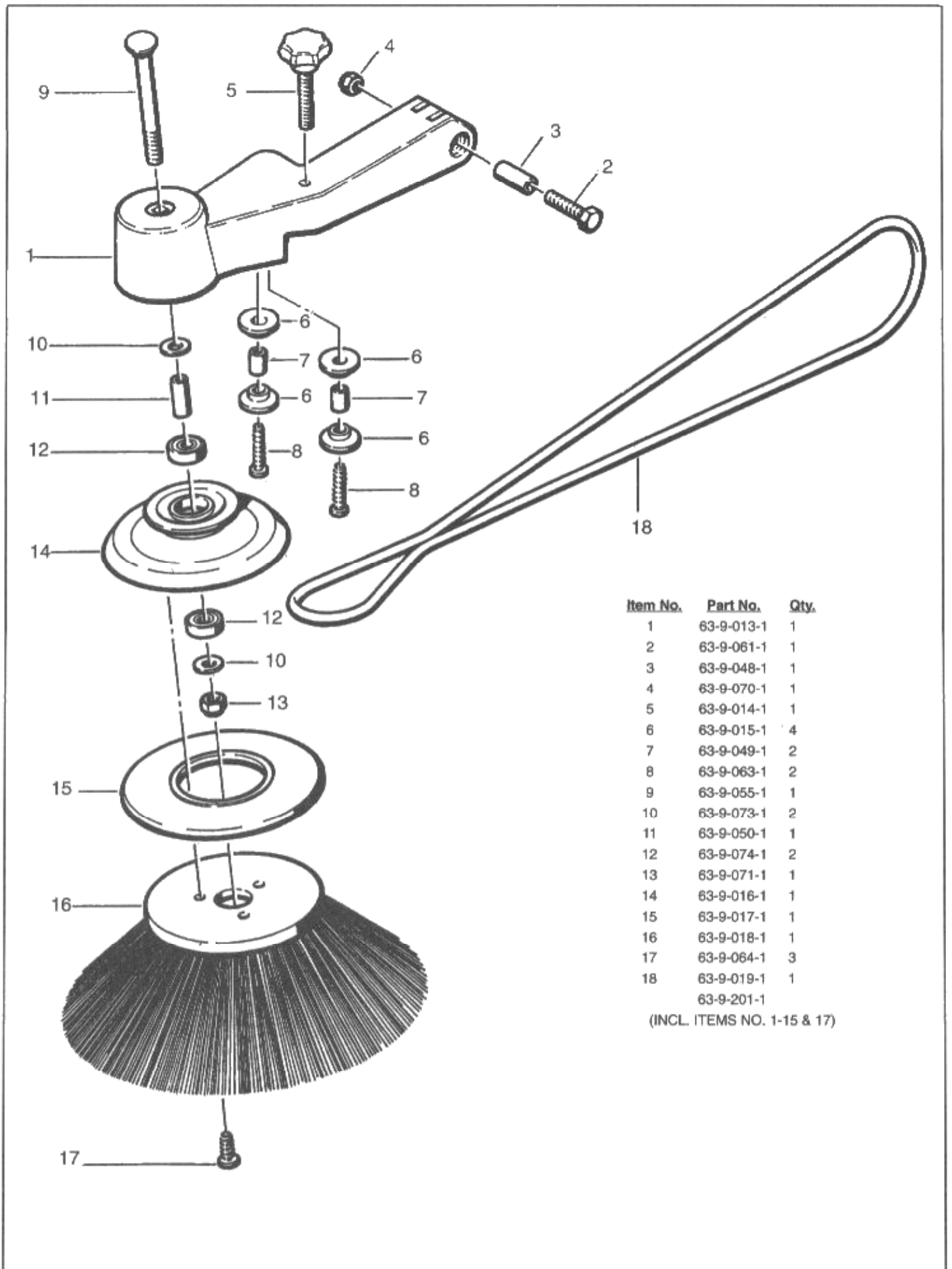




Item No.	Part No.	Qty.
1	63-9-005-1	1
2	63-9-006-1	1
3	63-9-054-1	2
4	63-9-069-1	2
5	63-9-059-1	2
	63-9-007-1	
(INCL. ITEMS NO. 1-5)		

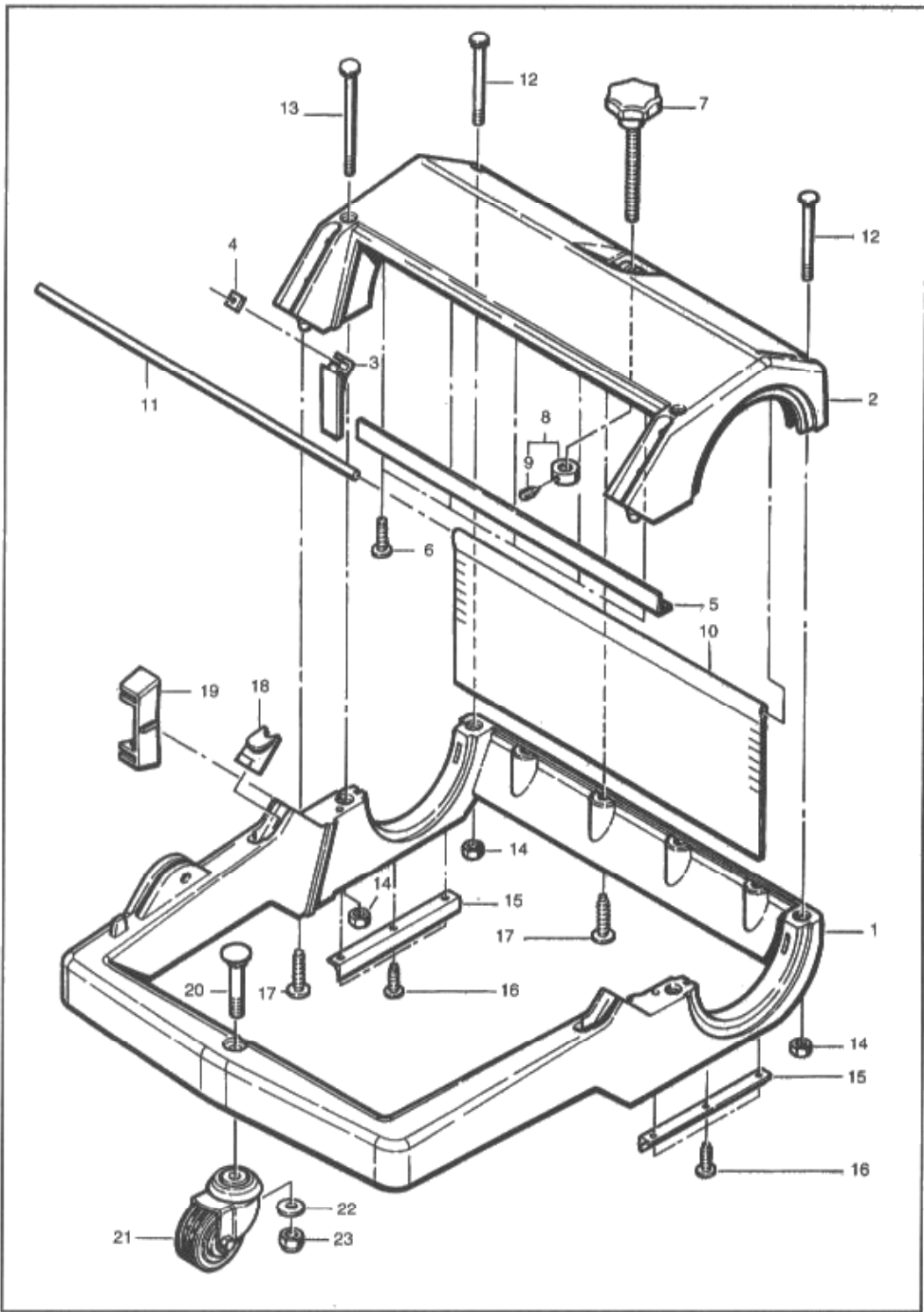


Item No.	Part No.	Qty.
1	63-9-008-1	1
2	63-9-009-1	1
3	63-9-062-1	11
4	63-9-010-1	1
5	63-9-011-1	1
	63-9-012-1	
(INCL. ITEMS NO. 1-5)		

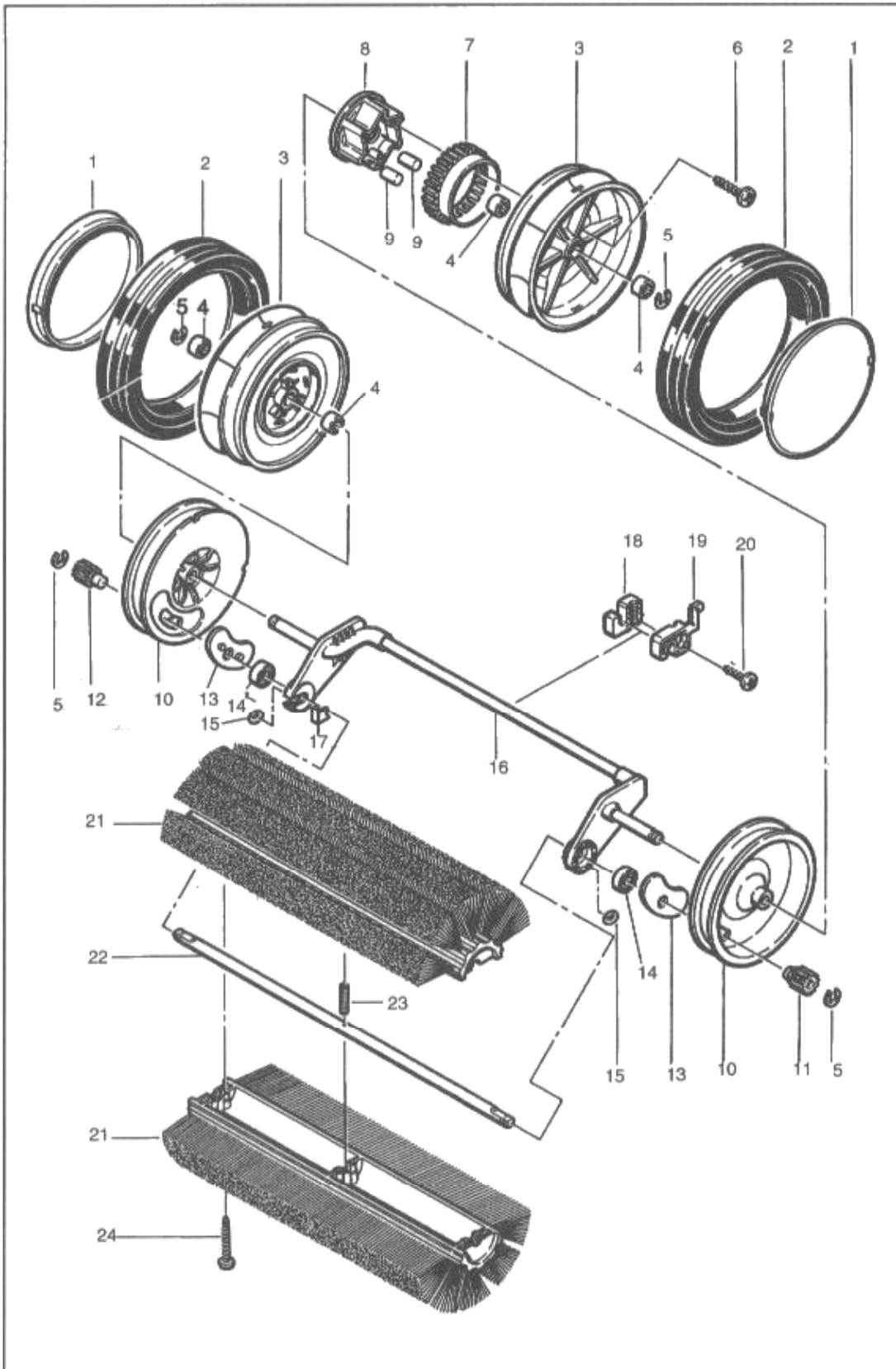


Item No.	Part No.	Qty.
1	63-9-013-1	1
2	63-9-061-1	1
3	63-9-048-1	1
4	63-9-070-1	1
5	63-9-014-1	1
6	63-9-015-1	4
7	63-9-049-1	2
8	63-9-063-1	2
9	63-9-055-1	1
10	63-9-073-1	2
11	63-9-050-1	1
12	63-9-074-1	2
13	63-9-071-1	1
14	63-9-016-1	1
15	63-9-017-1	1
16	63-9-018-1	1
17	63-9-064-1	3
18	63-9-019-1	1
	63-9-201-1	

(INCL. ITEMS NO. 1-15 & 17)



Item No.	Part No.	Qty.
1	63-9-021-1	1
2	63-9-022-1	1
3	63-9-023-1	2
4	63-9-072-1	2
5	63-9-024-1	1
6	63-9-062-1	5
7	63-9-025-1	1
8	63-9-051-1	1
(INCL. ITEMS NO. 8 & 9)		
9	63-9-075-1	1
10	63-9-026-1	1
11	63-9-027-1	1
12	63-9-056-1	2
13	63-9-057-1	2
14	63-9-060-1	4
15	63-9-028-1	2
16	63-9-062-1	6
17	63-9-065-1	6
18	63-9-029-1	2
19	63-9-030-1	1
20	63-9-058-1	1
21	63-9-031-1	1
22	63-9-073-1	1
23	63-9-071-1	1



Item No.	Part No.
	63-9-032-1
	(INCL. ITEMS NO.
1	63-9-033-1
2	63-9-034-1
3	63-9-035-1
4	63-9-052-1
5	63-9-076-1
6	63-9-066-1
7	63-9-053-1
8	63-9-036-1
9	63-9-037-1
10	63-9-038-1
11	63-9-039-1
12	63-9-040-1
13	63-9-041-1
14	63-9-074-1
15	63-9-077-1
16	63-9-042-1
17	63-9-043-1
18	63-9-044-1
19	63-9-045-1
20	63-9-067-1
21	63-9-046-1
22	63-9-047-1
23	63-9-078-1
24	63-9-068-1

**The National Super Service Company  
European Distribution Centre**

Unit II, Pinfold Trading Estate • 55 Nottingham Road  
STAPLEFORD, NOTTINGHAM NG9 8AD ENGLAND U.K.

PHONE: (44) 0115 939 1568 • FAX: (44) 0115 949 0615



**THE NATIONAL SUPER SERVICE COMPANY**

3115 FRENCHMENS ROAD, TOLEDO, OHIO 43607-2958

PHONE (419) 531-2121 • FAX (419) 531-3761